

# NOTICE

The information contained is for **DEALER REFERENCE PURPOSES ONLY**.  
MANUALS ARE MODEL AND SERIAL NUMBER SPECIFIC.

If additional printed manuals are required for your shop/office location, order by part number through the factory's Parts Center.

If a retail customer needs replacement manual(s) for a specific unit, contact the factory's Customer Data Center at: 800-829-0051 or  
[customerdata@vermeermfg.com](mailto:customerdata@vermeermfg.com)

This page intentionally left blank.

# Vermeer®

*D18X22 Navigator®  
Horizontal Directional Drill*



# Parts Manual

P1.09  
SERIAL NO. 101 -  
ORDER NO. 105400ZBX

## HOW TO USE THE MANUAL

This manual contains illustrations and parts lists of components and assemblies which make up the machine. Each page consists of the name of the assembly or component, a figure number, reference numbers, part numbers, part names, and the quantities of the parts used.

Assembly or component name helps identify the illustration and parts list for each figure. This name also helps locate the general area of the machine where the assembly or component can be located.

Figure numbers are used to identify each assembly or component and to group these assemblies or components into major categories.

Reference numbers shown in a column refer to the numbered parts in the illustration. This ties the part in the illustration to the part number and description in the parts list.

An asterisk indicates information about the item has changed since the previous release of the parts manual. A note in the Remarks column often explains the change.

Part numbers are used to identify individual parts or part assemblies.

Part descriptions provide the name of the part, plus additional information such as dimensional specifications and what parts are grouped together to form part assemblies, which helps you identify the part(s).

Quantities listed for each figure are only for that assembly or component and not the total used per machine.

This parts manual is not intended to be a complete guide for machine service or repairs. Contact your Vermeer dealer for any of your service or technical requirements.

## ORDERING PARTS

Parts for repair or replacement are available through our network of authorized dealers located throughout the world.

Use only authorized Vermeer parts for repair or replacement. Always give the serial number and

model number of the machine for which parts are being ordered. When ordering parts for component(s), which are not manufactured by Vermeer Corporation, also give the serial number of that component(s). Order all parts by part number, part name, and quantity needed.

## UPDATING AND REORDERING MANUALS

The parts lists, illustrations, and specifications in this manual are based on the latest information available at time of publication. Your machine may have product improvements and options not yet contained in this manual.

Vermeer Corporation reserves the right to make changes at any time without notice or obligation to you.

Your dealer will receive notice of these changes and can assist you with accurate parts identification when ordering.

A copy of this manual is supplied with each machine. Additional copies are available through your dealer. When ordering additional manuals, use the reorder number listed on the front cover and the quantity needed.

No part of this manual may be reproduced in any form or by any means, electronic or mechanical, including photocopying, recording, or by any information storage and retrieval systems, without the express written consent of Vermeer Corporation.

**Copyright © 2004-2008 Vermeer Corporation**  
**All rights reserved.**  
**Vermeer Corporation**  
**1210 Vermeer Road East, P.O. Box 200**  
**Pella, Iowa 50219-0200, USA+**

**Decal/Literature - Section 1**

Decal Domestic . . . . . Fig 1-1r01  
 Decal Domestic . . . . . Fig 1-1  
 Decal Domestic . . . . . Fig 1-2r01  
 Decal Domestic . . . . . Fig 1-2  
 Decal Domestic . . . . . Fig 1-3r01  
 Decal Domestic . . . . . Fig 1-3  
 Decal Domestic . . . . . Fig 1-4r01  
 Decal Domestic . . . . . Fig 1-4  
 Decal Domestic . . . . . Fig 1-5r01  
 Decal Domestic . . . . . Fig 1-5  
 Decal International . . . . . Fig 1-6r01  
 Decal International . . . . . Fig 1-6  
 Decal International . . . . . Fig 1-7r01  
 Decal International . . . . . Fig 1-7  
 Decal International . . . . . Fig 1-8r01  
 Decal International . . . . . Fig 1-8  
 Decal International . . . . . Fig 1-9r01  
 Decal International . . . . . Fig 1-9  
 Decal International . . . . . Fig 1-10r01  
 Decal International . . . . . Fig 1-10  
 Decal Location . . . . . Fig 1-11r02  
 Decal Location (Continued) . . . . . Fig 1-11r02  
 Decal Location . . . . . Fig 1-11r01  
 Decal Location (Continued) . . . . . Fig 1-11r01  
 Decal Location . . . . . Fig 1-11  
 Decal Location (Continued) . . . . . Fig 1-11  
 Decal Literature Box . . . . . Fig 1-12r01  
 Decal Literature Box . . . . . Fig 1-12

**Frame - Section 2**

Rack . . . . . Fig 2-1r03  
 Rack . . . . . Fig 2-1r02  
 Rack . . . . . Fig 2-1r01  
 Rack . . . . . Fig 2-1  
 Undercarriage/Track . . . . . Fig 2-2r01  
 Undercarriage/Track . . . . . Fig 2-2  
 Rotation Gearbox . . . . . Fig 2-3r01  
 Rotation Gearbox . . . . . Fig 2-3  
 Carriage . . . . . Fig 2-4r02  
 Carriage . . . . . Fig 2-4r01  
 Carriage . . . . . Fig 2-4  
 Rear Control Station . . . . . Fig 2-5r03  
 Rear Control Station . . . . . Fig 2-5r02  
 Rear Control Station . . . . . Fig 2-5r01  
 Rear Control Station . . . . . Fig 2-5  
 Seat Pivot Frame(S/N 136 And Up) . . . . . Fig 2-6r01  
 Seat Pivot Frame(S/N 101-135) . . . . . Fig 2-6  
 Seat Platform (Sn 106 & UP) . . . . . Fig 2-7r01  
 Seat Platform (Sn 106 & UP) . . . . . Fig 2-7

Seat Platform (Sn 101-105) . . . . . Fig 2-7s01  
 Outrigger Frame. . . . . Fig 2-8  
 Drive Chuck . . . . . Fig 2-9r01  
 Drive Chuck . . . . . Fig 2-9  
 Umbrella . . . . . Fig 2-10

**Engine - Section 3**

Engine Components . . . . . Fig 3-1r03  
 Engine Components . . . . . Fig 3-1r02  
 Engine Components . . . . . Fig 3-1r01  
 Engine Components . . . . . Fig 3-1  
 Air Cleaner . . . . . Fig 3-2  
 Fuel Tank . . . . . Fig 3-3r02  
 Fuel Tank . . . . . Fig 3-3r01  
 Fuel Tank . . . . . Fig 3-3  
 Oil tank . . . . . Fig 3-4r02  
 Oil tank . . . . . Fig 3-4r01  
 Oil tank . . . . . Fig 3-4  
 Radiator . . . . . Fig 3-5r02  
 Radiator . . . . . Fig 3-5r01  
 Radiator . . . . . Fig 3-5  
 Muffler. . . . . Fig 3-6r01  
 Muffler. . . . . Fig 3-6  
 Engine Mount. . . . . Fig 3-7

**Shield - Section 4**

Side Shield . . . . . Fig 4-1r02  
 Side Shield . . . . . Fig 4-1r01  
 Side Shield . . . . . Fig 4-1  
 Rear Shield . . . . . Fig 4-2r02  
 Rear Shield . . . . . Fig 4-2r01  
 Rear Shield . . . . . Fig 4-2  
 Left Side Engine Shield . . . . . Fig 4-3r01  
 Left Side Engine Shield . . . . . Fig 4-3  
 Front Shield . . . . . Fig 4-4r01  
 Front Shield . . . . . Fig 4-4  
 Top Shield . . . . . Fig 4-5  
 Engine Door . . . . . Fig 4-6r01  
 Engine Door . . . . . Fig 4-6

**Hydraulic - Section 5**

Oil Tank . . . . . Fig 5-1r03  
 Oil Tank . . . . . Fig 5-1r02  
 Oil Tank . . . . . Fig 5-1r01  
 Oil Tank . . . . . Fig 5-1  
 Outrigger Hyd Cylinder . . . . . Fig 5-2  
 Water Shutoff Hyd Cylinder (SN 108 & UP) . . . . . Fig 5-3r02  
 Water Shutoff Hyd Cylinder (SN 108 & UP) . . . . . Fig 5-3r01  
 Water Shutoff Hyd Cylinder (SN 108 & UP) . . . . . Fig 5-3

Water Shutoff Hyd Cylinder (SN 101-107) . . . . .	Fig 5-3s01
Rotation Hyd Motor . . . . .	Fig 5-4r02
Rotation Hyd Motor . . . . .	Fig 5-4r01
Rotation Hyd Motor . . . . .	Fig 5-4
Thrust/Pullback Hyd Motor . . . . .	Fig 5-5r01
Carriage Brake . . . . .	Fig 5-5x01
Thrust/Pullback Hyd Motor . . . . .	Fig 5-5
Stakedown Hyd Valve . . . . .	Fig 5-6r02
Stakedown Hyd Valve . . . . .	Fig 5-6r01
Stakedown Hyd Valve . . . . .	Fig 5-6
Track Drive Hyd . . . . .	Fig 5-7r01
Track Drive Hyd . . . . .	Fig 5-7
Rack Pivot Hyd Valve . . . . .	Fig 5-8
Rack Pivot Hyd Cylinder . . . . .	Fig 5-9r01
Rack Pivot Hyd Cylinder . . . . .	Fig 5-9
Stakedown Hyd . . . . .	Fig 5-10r01
Stakedown Hyd (continued) . . . . .	Fig 5-10r01
Stakedown Hyd-6" Option . . . . .	Fig 5-10x01
Stakedown Hyd-6" Option (continued) . . . . .	Fig 5-10x01
Stakedown Hyd . . . . .	Fig 5-10
Clamp Rotation Hyd Cylinder . . . . .	Fig 5-11r01
Clamp Rotation Hyd Cylinder . . . . .	Fig 5-11
Clamp Hyd Valve . . . . .	Fig 5-12r02
Clamp Hyd Valve . . . . .	Fig 5-12r01
Clamp Hyd Valve . . . . .	Fig 5-12
Auto Greaser Hyd . . . . .	Fig 5-13r02
Auto Greaser Hyd . . . . .	Fig 5-13r01
Auto Greaser Hyd . . . . .	Fig 5-13
Rod Loader Hyd Valve . . . . .	Fig 5-14r03
Rod Loader Hyd Valve . . . . .	Fig 5-14r02
Rod Loader Hyd Valve . . . . .	Fig 5-14r01
Rod Loader Hyd Valve . . . . .	Fig 5-14
Hyd Pump . . . . .	Fig 5-15r02
Hyd Pump . . . . .	Fig 5-15r01
Hyd Pump . . . . .	Fig 5-15
Charge Filter Hyd . . . . .	Fig 5-16r01
Charge Filter Hyd . . . . .	Fig 5-16
Water Control Hyd Valve . . . . .	Fig 5-17
Drill Transport Hyd Valve . . . . .	Fig 5-18r04
Drill Transport Hyd Valve . . . . .	Fig 5-18r03
Drill Transport Hyd Valve . . . . .	Fig 5-18r02
Drill Transport Hyd Valve . . . . .	Fig 5-18r01
Drill Transport Hyd Valve . . . . .	Fig 5-18
Pivot Valve Hyd . . . . .	Fig 5-19r02
Pivot Valve Hyd . . . . .	Fig 5-19r01
Pivot Valve Hyd . . . . .	Fig 5-19
Shuttle Valve Hyd . . . . .	Fig 5-20r02
Shuttle Valve Hyd . . . . .	Fig 5-20r01
Shuttle Valve Hyd . . . . .	Fig 5-20
Transport Flush Hyd Valve . . . . .	Fig 5-21
Water Pump Hyd Motor . . . . .	Fig 5-22
Hose Carrier . . . . .	Fig 5-23
Undercarriage Bulkhead Hyd . . . . .	Fig 5-24r02
Undercarriage Bulkhead Hyd . . . . .	Fig 5-24r01
Undercarriage Bulkhead Hyd . . . . .	Fig 5-24
Oil Cooler Hyd . . . . .	Fig 5-25r01
Oil Cooler Hyd . . . . .	Fig 5-25

Miscellaneous Supplies . . . . . Fig 5-26

**Control/Electrical - Section 6**

Electrical Harness . . . . . Fig 6-1r02  
 Electrical Harness . . . . . Fig 6-1r01  
 Electrical Harness . . . . . Fig 6-1  
 Rack/ Rod Loader Electrical. . . . . Fig 6-2r03  
 Rack/ Rod Loader Electrical. . . . . Fig 6-2r02  
 Rack/ Rod Loader Electrical. . . . . Fig 6-2r01  
 Rack/ Rod Loader Electrical. . . . . Fig 6-2  
 Work Lights . . . . . Fig 6-3  
 Front Shield Electrical . . . . . Fig 6-4r02  
 Front Shield Electrical . . . . . Fig 6-4r01  
 Front Shield Electrical . . . . . Fig 6-4  
 Control Panel Electrical . . . . . Fig 6-5r03  
 Control Panel Electrical (continued) . . . . . Fig 6-5r03  
 Control Panel Electrical . . . . . Fig 6-5r02  
 Control Panel Electrical (continued) . . . . . Fig 6-5r02  
 Control Panel Electrical . . . . . Fig 6-5r01  
 Control Panel Electrical (continued) . . . . . Fig 6-5r01  
 Control Panel Electrical . . . . . Fig 6-5  
 Control Panel Electrical (continued) . . . . . Fig 6-5  
 Throttle Actuator (S/N 126 & UP) . . . . . Fig 6-6r01  
 Throttle Actuator (S/N 101-125) . . . . . Fig 6-6  
 Battery (S/N 138 And Up) . . . . . Fig 6-7r02  
 Battery (S/N 138 And Up) . . . . . Fig 6-7r01  
 Battery (S/N 106 & 137) . . . . . Fig 6-7  
 Battery (S/N 101-105) . . . . . Fig 6-7s01  
 Rear Control Box Electrical . . . . . Fig 6-8  
 Remote Lockout . . . . . Fig 6-9r01  
 Remote Lockout . . . . . Fig 6-9  
 Seat Control Electrical(S/N 136 And Up) . . . . . Fig 6-10r02  
 Seat Control Electrical(S/N 136 And Up) . . . . . Fig 6-10r01  
 Seat Control Electrical(S/N 101-135) . . . . . Fig 6-10

**Safety - Section 7**

Safety Features Gloves-Boots-Cones . . . . . Fig 7-1  
 Voltage Stake . . . . . Fig 7-2r01  
 Voltage Stake . . . . . Fig 7-2

**Water - Section 8**

Water Pump . . . . . Fig 8-1  
 Water Shutoff Valve (S/N 106 & UP) . . . . . Fig 8-2r03  
 Water Shutoff Valve (S/N 106 & UP) . . . . . Fig 8-2r02  
 Water Shutoff Valve (S/N 106 & UP) . . . . . Fig 8-2r01  
 Water Shutoff Valve (S/N 106 & UP) . . . . . Fig 8-2  
 Water Shutoff Valve (S/N 101-105) . . . . . Fig 8-2s01  
 Water Tank . . . . . Fig 8-3  
 Wand . . . . . Fig 8-4



Drill Fluid . . . . . Fig 8-5

**Vise Clamp - Section 9**

Clamp . . . . . Fig 9-1r02  
 Clamp . . . . . Fig 9-1r01  
 Clamp . . . . . Fig 9-1  
 Zap Alert Coil (Sn 106 & UP) . . . . . Fig 9-2r03  
 Zap Alert Coil (Sn 106 & UP) . . . . . Fig 9-2r02  
 Zap Alert Coil (Sn 106 & UP) . . . . . Fig 9-2r01  
 Zap Alert Coil (Sn 106 & UP) . . . . . Fig 9-2  
 Zap Alert Coil (Sn 101-105) . . . . . Fig 9-2s01

**Rod Loader - Section 10**

Rod Position Indicator . . . . . Fig 10-1r03  
 Rod Position Indicator . . . . . Fig 10-1r02  
 Rod Position Indicator . . . . . Fig 10-1r01  
 Rod Position Indicator . . . . . Fig 10-1  
 Rod Box . . . . . Fig 10-2r03  
 Rod Box . . . . . Fig 10-2r02  
 Rod Box . . . . . Fig 10-2r01  
 Rod Box . . . . . Fig 10-2  
 Row Selector Lift . . . . . Fig 10-3r04  
 Row Selector Lift . . . . . Fig 10-3r03  
 Row Selector Lift . . . . . Fig 10-3r02  
 Row Selector Lift . . . . . Fig 10-3r01  
 Row Selector Lift . . . . . Fig 10-3  
 Extend retract. . . . . Fig 10-4r03  
 Extend retract. . . . . Fig 10-4r02  
 Extend retract. . . . . Fig 10-4r01  
 Extend retract. . . . . Fig 10-4

**Components Breakdowns - Section 11**

Stakedown Control Valve Components . . . . . Fig 11-1  
 Rack Pivot Control Valve Components . . . . . Fig 11-2r01  
 Rack Pivot Control Valve Components . . . . . Fig 11-2  
 Load Valve Components . . . . . Fig 11-3  
 Stakedown Enable Valve Components . . . . . Fig 11-4  
 Vise Control Valve Components . . . . . Fig 11-5  
 Water Control Valve Components . . . . . Fig 11-6r01  
 Water Control Valve Components . . . . . Fig 11-6  
 Rod Loader Valve Components . . . . . Fig 11-7r02  
 Rod Loader Valve Components . . . . . Fig 11-7r01  
 Rod Loader Valve Components . . . . . Fig 11-7  
 Pivot Control Valve Components . . . . . Fig 11-8  
 Greaser Valve Components . . . . . Fig 11-9  
 Thrust/Transport Valve Components . . . . . Fig 11-10  
 Water Shutoff Valve Components . . . . . Fig 11-11  
 Tandem Hydro/Pfc Pump Components . . . . . Fig 11-12  
 Water Pump Components . . . . . Fig 11-13

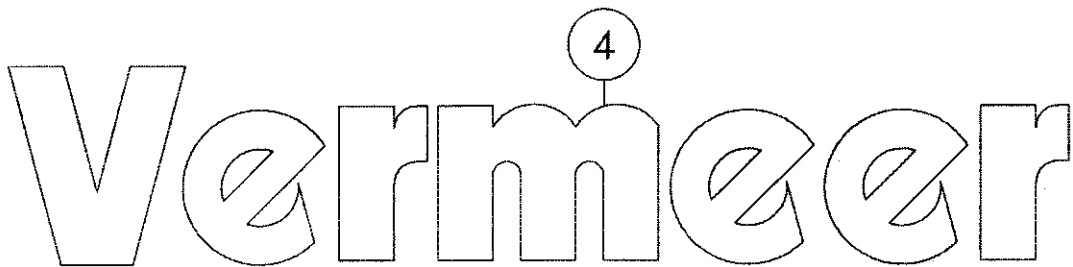
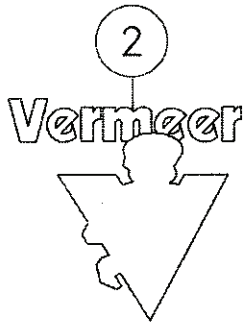
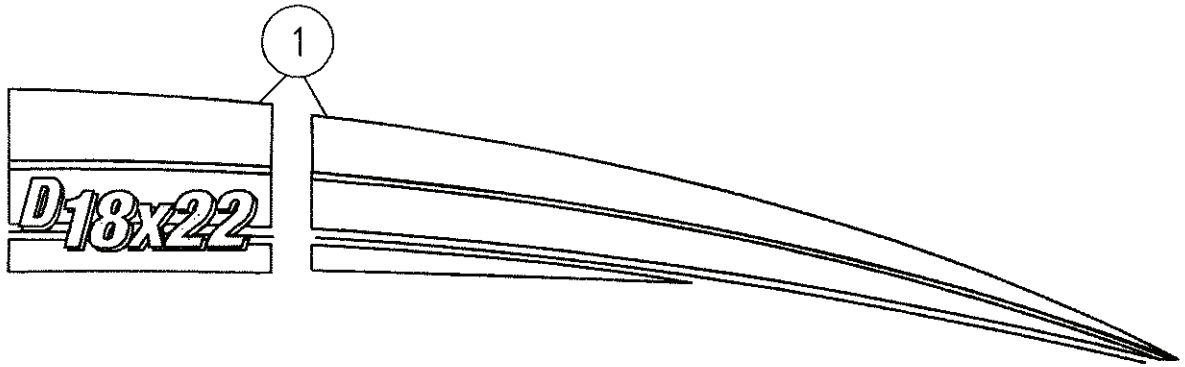
Water Pump Motor Components . . . . . Fig 11-14  
 Gearbox Motor Components . . . . . Fig 11-15r02  
 Gearbox Motor Components . . . . . Fig 11-15r01  
 Gearbox Motor Components . . . . . Fig 11-15  
 Carriage/Stakedown Motor Components . . . . . Fig 11-16  
 Outrigger Cylinder Components . . . . . Fig 11-17  
 Water Shutoff Cylinder Components . . . . . Fig 11-18r01  
 Water Shutoff Cylinder Components . . . . . Fig 11-18  
 Auto Greaser Cylinder Components . . . . . Fig 11-19  
 Rack Pivot Cylinder Components . . . . . Fig 11-20  
 Drive Track Planetary Motor Components . . . . . Fig 11-21  
 Hose Carrier Track Components . . . . . Fig 11-22  
 Auto Greaser Components . . . . . Fig 11-23r01  
 Auto Greaser Components . . . . . Fig 11-23  
 Air Cleaner Components . . . . . Fig 11-24  
 Joystick Components . . . . . Fig 11-25  
 Carriage/Stakedown Motor Components . . . . . Fig 11-26

**Diagram-Hyd Locations - Section 12**

Vise Clamp Hyd Location Diagram . . . . . Fig 12-1  
 Rod Loader Hyd Location Diagram . . . . . Fig 12-2r02  
 Rod Loader Hyd Location Diagram . . . . . Fig 12-2r01  
 Rod Loader Hyd Location Diagram . . . . . Fig 12-2  
 Stakedown Hyd Location Diagram . . . . . Fig 12-3r01  
 Stakedown Hyd Location Diagram . . . . . Fig 12-3  
 Track Drive Hyd Location Diagram . . . . . Fig 12-4r01  
 Track Drive Hyd Location Diagram . . . . . Fig 12-4  
 Trust/Pullback Rotation Location Diagram . . . . . Fig 12-5r03  
 Trust/Pullback Rotation Location Diagram . . . . . Fig 12-5r02  
 Trust/Pullback Rotation Location Diagram . . . . . Fig 12-5r01  
 Trust/Pullback Rotation Location Diagram . . . . . Fig 12-5  
 Implement Hyd Location Diagram . . . . . Fig 12-6r03  
 Implement Hyd Location Diagram . . . . . Fig 12-6r02  
 Implement Hyd Location Diagram . . . . . Fig 12-6r01  
 Implement Hyd Location Diagram . . . . . Fig 12-6

This page intentionally left blank.

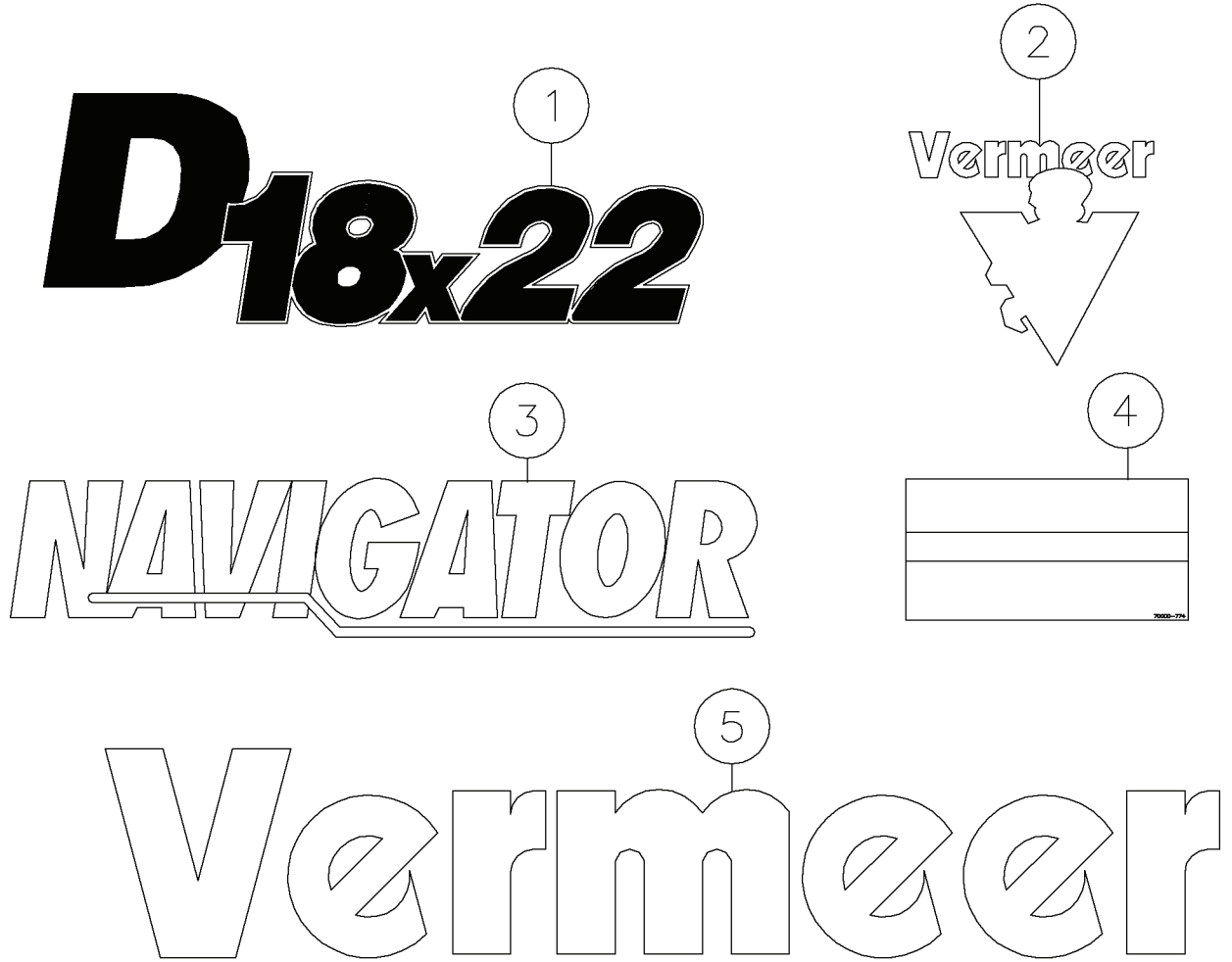
Decal Assy Domestic Fig 1-1r01



## Decal Assy Domestic Fig 1-1r01

REF. NO.	*	PART NO.	DESCRIPTION	QTY.	REMARKS
		Revision Date	May, 2005		Update In Illustration & Parts List.
1		7000C461	DECAL - D18X22 RIGHT STRIPE	1	S/N 329 & Up
2		70000784	DECAL 6"VERMEER LOGO	1	
3		70000614	DECAL-MODEL NAVIGATOR (BIG)	1	
4		2326595	DECAL VERMEER- 4 1/2 X 24	1	
		901228159	DECAL ASSY-D18X22 DOMESTIC	1	Inc. Fig 1-1 Thru 1-5

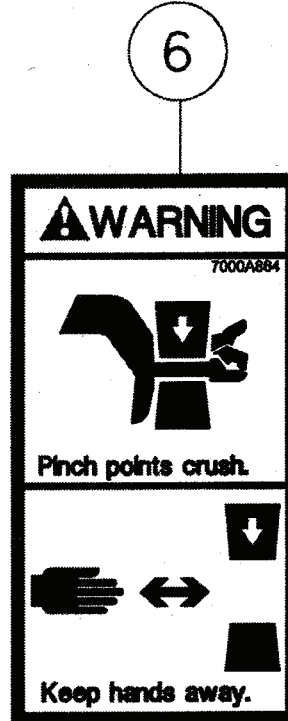
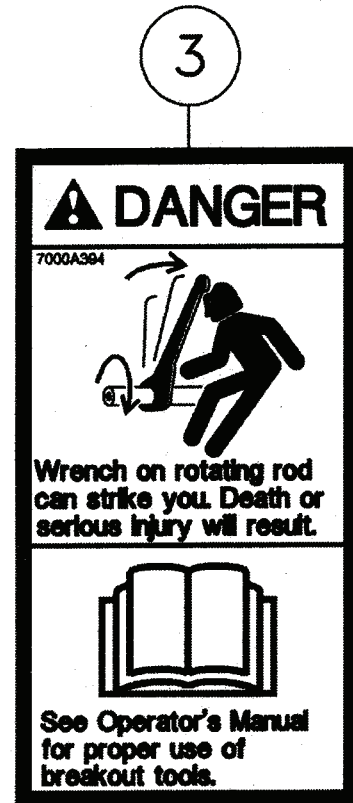
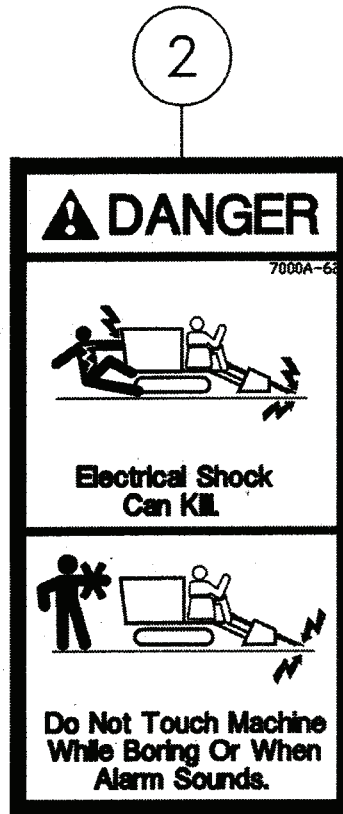
Decal Assy Domestic Fig 1-1



## Decal Assy Domestic Fig 1-1

REF. NO.	*	PART NO.	DESCRIPTION	QTY.	REMARKS
1		7000B965	DECAL - MODEL NUMBER D18X22	1	
2		70000784	DECAL 6"VERMEER LOGO	1	
3		70000614	DECAL-MODEL NAVIGATOR (BIG)	1	
4		70000775	DECAL 3"VERMEER STRIPE	A/R	P/n Qty. Of 1 = 1 Foot, 5 Ft Require
5		2326595	DECAL VERMEER- 4 1/2 X 24	1	
		901228159	DECAL ASSY-D18X22 DOMESTIC	1	Inc. Fig 1-1 Thru 1-5

Decal Assy Domestic Fig 1-2r01





## Decal Assy Domestic Fig 1-2r01

REF. NO.	*	PART NO.	DESCRIPTION	QTY.	REMARKS
		Revision Date	February, 2004		Update In Illustration.
1		7000B811	DECAL - DANGER - RLE - DOMESTIC	1	
2		7000A627	DECAL-DANGER	4	
3		7000A394	DECAL - WARNING	1	
4		7000A393	DECAL - DANGER	1	
5		7000B304	DECAL - WARNING	1	
6		7000A864	DECAL-WARNING DOMESTIC	2	
7		70000044	DECAL-WARNING(AT/UND)	1	
		901228159	DECAL_D18X22 DOMESTIC		Inc. Fig 1-1 Thru 1-5

Decal Assy Domestic Fig 1-2

1

**DANGER**

7000B811



Unexpected rotation of drill string can kill.



Lock out before working on drill string.

2

**DANGER**

7000A-627



Can Kill.

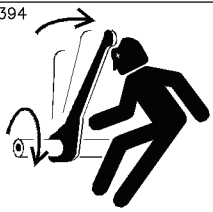


Alarm Sounds.

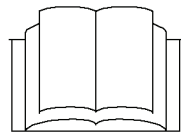
3

**DANGER**

7000A394



Wrench on rotating rod can strike you. Death or serious injury will result.



See Operator's Manual for proper use of breakout tools.

4

**DANGER**

7000A393



Rotating drill string or cutters can kill.



Keep Away

5

**WARNING**

7000B-304



High pressure water can penetrate skin. Serious injury possible.



Keep nozzles away from body.

6

**WARNING**

7000A854



Pinch points crush.

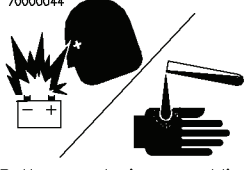


Keep hands away.

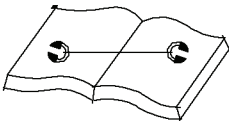
7

**WARNING**

70000044



Battery explosion can blind. Acid can blind and burn.













Read manual before service.

## Decal Assy Domestic Fig 1-2


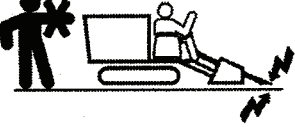
REF. NO.	*	PART NO.	DESCRIPTION	QTY.	REMARKS
1		7000B811	DECAL - DANGER - RLE - DOMESTIC	1	
2		7000A627	DECAL-DANGER	4	
3		7000A394	DECAL - WARNING	1	
4		7000A393	DECAL - DANGER	1	
5		7000B304	DECAL - WARNING	1	
6		7000A864	DECAL-WARNING DOMESTIC	2	
7		70000044	DECAL-WARNING(AT/UND)	1	
		901228159	DECAL_D18X22 DOMESTIC	1	Inc. Fig 1-1 Thru 1-5



Decal Assy Domestic Fig 1-3r01

1

<p><b>WARNING</b> 7000B812</p>  <p>Safety Message</p>  <p>Read Operator's Manual.</p>	<p><b>WARNING</b></p>  <p>Safety Message</p> <p>Test remote lockout.</p>  <p>Test strike alert.</p>	<p><b>WARNING</b></p>  <p>Electricity, or gas explosion can kill.</p> <p>ONE-CALL</p>  <p>Locate Utilities. Call 1-888-258-0808.</p>	<p><b>DANGER</b></p>  <p>Electrical shock can kill.</p>  <p>If strike occurs, don't stop down.</p>	<p><b>WARNING</b></p>  <p>Safety Message</p>  <p>Stop engine before servicing.</p>
---	---	--	--	--

3	<p><b>WARNING</b> 2200004</p>  <p>Fuel and fumes can explode and burn.</p>  <p>No smoking. No flame. Stop engine.</p>	<p><b>WARNING</b> 2200015</p>  <p>Hot fluid under pressure can scald.</p>  <p>Allow to cool before opening.</p>	2
---	---	--	---

<p><b>DANGER</b></p>  <p>Electrical Shock Can KILL.</p> <p>7000A-576</p>	 <p>Do Not Touch Machine While Boring Or When Alarm Sounds.</p>	4
---	---	---

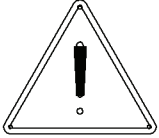
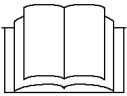
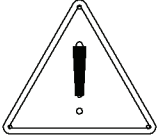


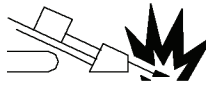




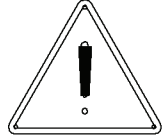
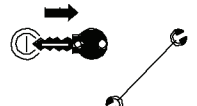
<p><b>WARNING</b> 70000583</p>  <p>Falling load can crush.</p>	 <p>Do not stand or work under raised load.</p>	5
---	--	---





## Decal Assy Domestic Fig 1-3r01



REF. NO.	*	PART NO.	DESCRIPTION	QTY.	REMARKS
		Revision Date	February, 2004		Update In Illustration.
1		7000B812	DECAL - WARNING	1	
2		2326315	DECAL-WARNING	1	
3		2326324	DECAL-WARNING/REFUEL	1	
4		7000A576	DECAL-DANGER	3	
5		70000563	DECAL-WARNING (UND)	3	
		901228159	DECAL-D18X22 DOMESTIC		Inc. Fig 1-1 Thru 1-5



Decal Assy Domestic Fig 1-3

1

<p><b>WARNING</b></p> <p>7000812</p>  <p>Safety Message</p>  <p>Read Operator's Manual.</p>	<p><b>WARNING</b></p>  <p>Safety Message</p> <p>Test remote lockout.</p>   <p>Test strike alert.</p>	<p><b>WARNING</b></p>  <p>Electricity, or gas explosion can kill.</p> <p>ONE-CALL</p>   <p>Locate Utilities. Call 1-888-258-0808</p>	<p><b>DANGER</b></p>  <p>Electrical shock can kill.</p>  <p>If strike occurs, don't step down.</p>	<p><b>WARNING</b></p>  <p>Safety Message</p>  <p>Stop engine before servicing.</p>
---	---	---	--	--

<p style="text-align: center;">3</p> <p><b>WARNING</b></p> <p>2326315</p>  <p>Hot fluid under pressure can scald.</p>  <p>Allow to cool before opening.</p>	<p style="text-align: center;">2</p> <p><b>WARNING</b></p> <p>2326324</p>  <p>Fuel and fumes can explode and burn.</p> <p>STOP</p>  <p>No smoking. No flame. Stop engine.</p>
--	--

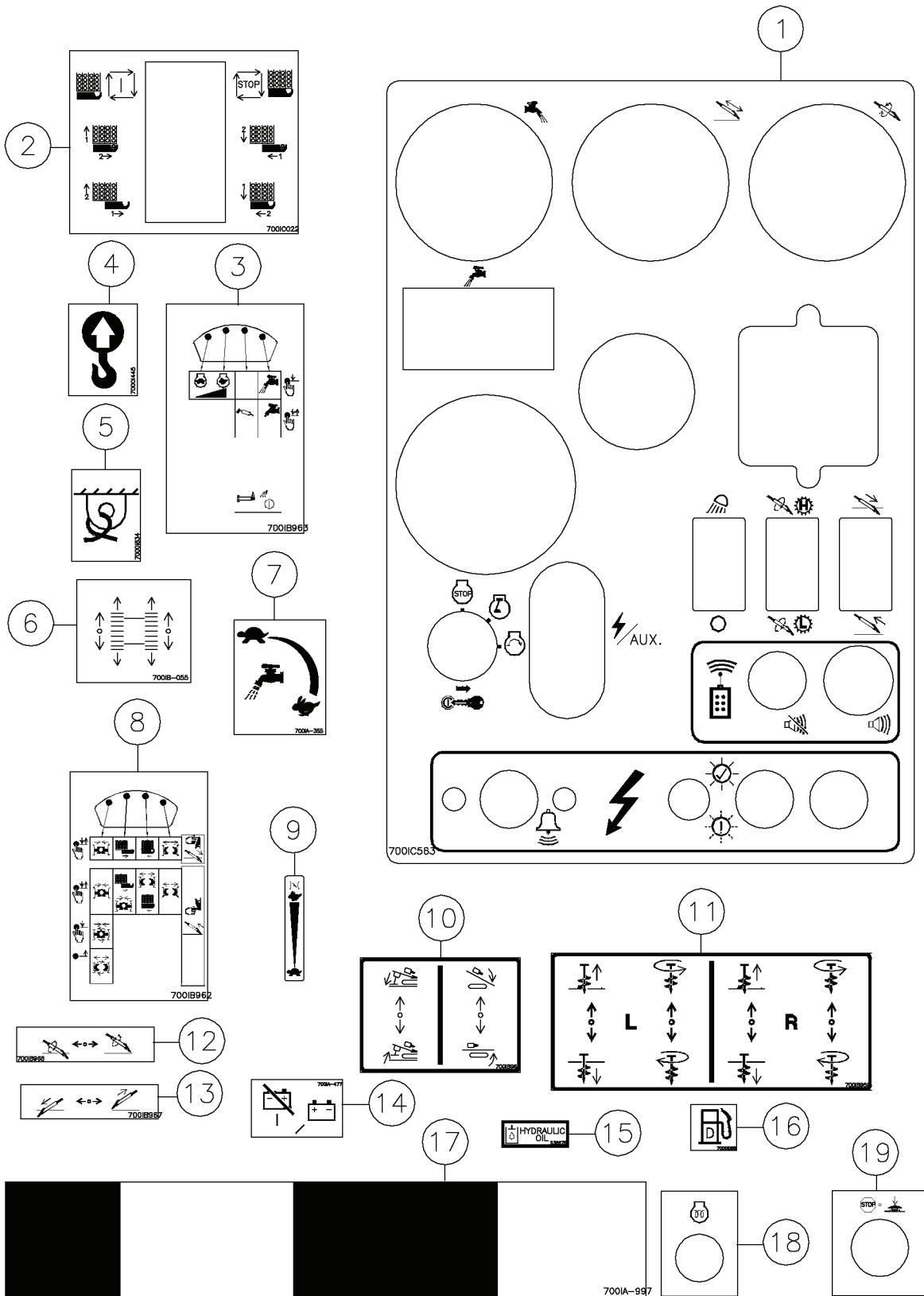
<p><b>DANGER</b></p>  <p>Electrical Shock Can Kill.</p> <p>7000A-576</p>	<p style="text-align: center;">4</p>  <p>Alarm Sounds.</p>
---	--

<p><b>WARNING</b></p> <p>70000563</p>  <p>Falling load can crush.</p>	<p style="text-align: center;">5</p>  <p>Do not stand or work under raised load.</p>
--	--

## Decal Assy Domestic Fig 1-3

REF. NO.	*	PART NO.	DESCRIPTION	QTY.	REMARKS
1		7000B812	DECAL - WARNING	1	
2		2326315	DECAL-WARNING	1	
3		2326324	DECAL-WARNING/REFUEL	1	
4		7000A576	DECAL-DANGER	3	
5		70000563	DECAL-WARNING (UND)	3	
		901228159	DECAL-D18X22 DOMESTIC	1	Inc. Fig 1-1 Thru 1-5

Decal Assy Domestic Fig 1-4r01

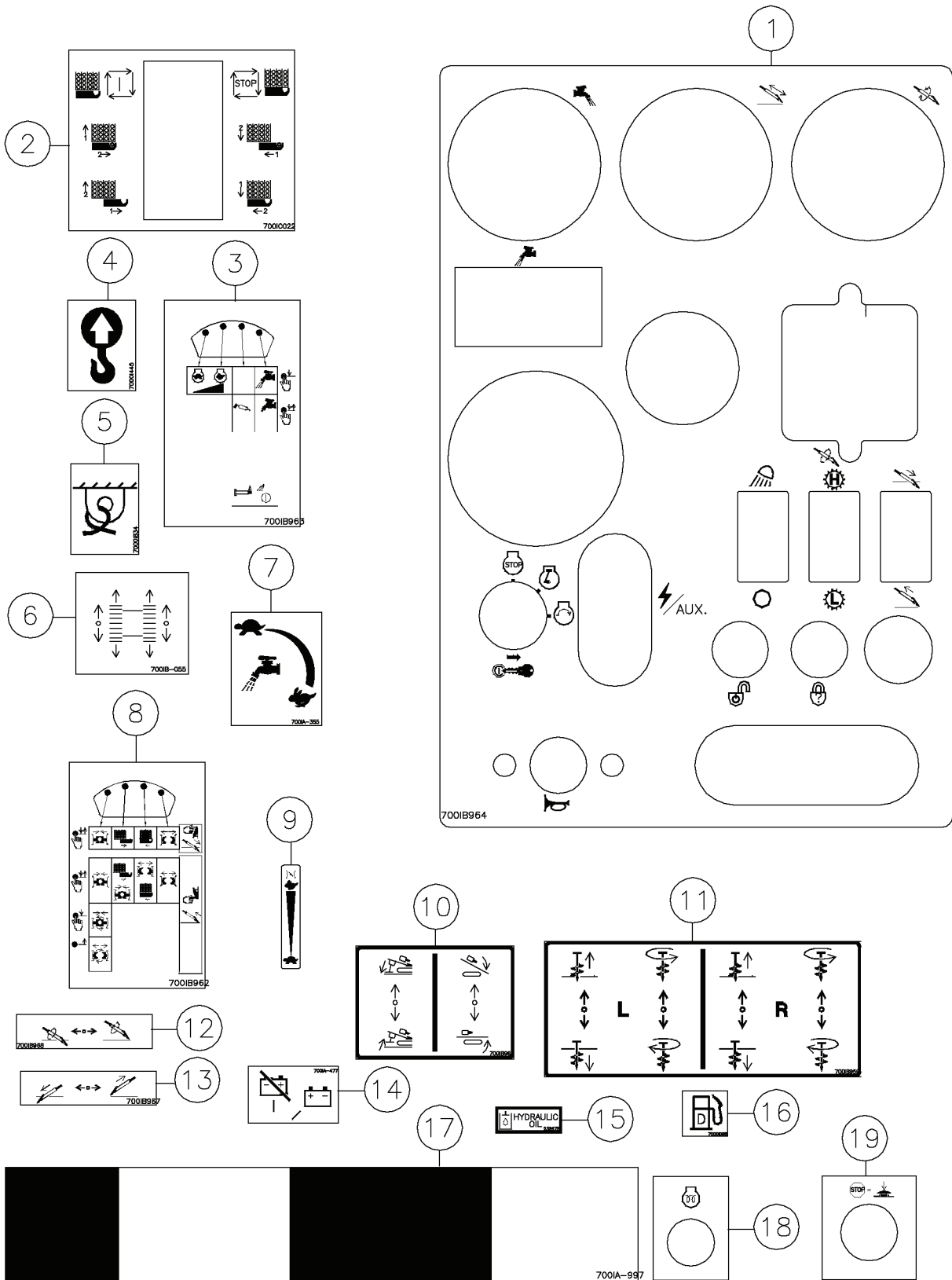




## Decal Assy Domestic Fig 1-4r01

REF. NO.	*	PART NO.	DESCRIPTION	QTY.	REMARKS
		Revision Date	May, 2005		Update In Illustration & Parts List.
1		700IC563	DECAL - CONTROL PANEL	1	
2		700IC022	DECAL - CONTROLS	1	
3		700IB963	DECAL - LEFT JOYSTICK	1	
4		7000I445	DECAL-LIFT POINT	4	
5		7000I834	DECAL - TIE DOWN POINT	4	
6		700IB055	DECAL - TRACK DRIVE	1	
7		700IA355	DECAL-DRILLING FLUIDSPEED(UND)	1	
8		700IB962	DECAL - RIGHT JOYSTICK	1	
9		700IC035	DECAL-THROTTLE	1	
10		700IB961	DECAL - RACK LIFT / OUTRIGGER	1	
11		700IB959	DECAL - STAKEDOWN	1	
12		700IB968	DECAL - LEFT JOYSTICK - ROTATION	1	
13		700IB967	DECAL - RIGHT JOYSTICK - THRUST	1	
14		700IA477	DECAL_BATTERY SWITCH (UG)	1	
15		2326756	DECAL-HYDRAULIC OIL	1	
16		7000I098	DECAL-DIESEL FUEL	1	
17		700IA997	DECAL - GEARBOX POSITION	1	
18		7000C072	DECAL-GLOW PLUG	1	
19		7000C073	DECAL-E-STOP	2	
		901288159	DECAL-D18X22 DOMESTIC	1	Inc Fig 1-1 Thru 1-5

Decal Assy Domestic Fig 1-4



## Decal Assy Domestic Fig 1-4

REF. NO.	*	PART NO.	DESCRIPTION	QTY.	REMARKS
1		700IB964	DECAL - CONTROL PANEL	1	
2		700IC022	DECAL - CONTROLS	1	
3		700IB963	DECAL - LEFT JOYSTICK	1	
4		7000I445	DECAL-LIFT POINT	4	
5		7000I834	DECAL - TIE DOWN POINT	4	
6		700IB055	DECAL - TRACK DRIVE	1	
7		700IA355	DECAL-DRILLING FLUIDSPEED(UND)	1	
8		700IB962	DECAL - RIGHT JOYSTICK	1	
9		700IC035	DECAL-THROTTLE	1	
10		700IB961	DECAL - RACK LIFT / OUTRIGGER	1	
11		700IB959	DECAL - STAKEDOWN	1	
12		700IB968	DECAL - LEFT JOYSTICK - ROTATION	1	
13		700IB967	DECAL - RIGHT JOYSTICK - THRUST	1	
14		700IA477	DECAL_BATTERY SWITCH (UG)	1	
15		2326756	DECAL-HYDRAULIC OIL	1	
16		7000I098	DECAL-DIESEL FUEL	1	
17		700IA997	DECAL - GEARBOX POSITION	1	
18		7000C072	DECAL-GLOW PLUG	1	
19		7000C073	DECAL-E-STOP	2	
		901288159	DECAL-D18X22 DOMESTIC	1	Inc Fig 1-1 Thru 1-5

Decal Assy Domestic Fig 1-5r01

**Notice • Avis • Hinweis • Avviso • Aviso •**

If you purchased this product as used equipment, you can receive a FREE Operator's Manual by contacting:  
 Si vous avez acheté cet équipement d'occasion, vous pouvez recevoir un manuel de l'opérateur GRATUIT en composant le:  
 Wenn Sie diese Maschine gebraucht erworben haben, können Sie eine KOSTENLOSE Betriebsanleitung wie folgt anfordern:  
 Se si è comprata la presente macchina usata, si può ricevere una copia del manuale dell'operatore IN OMAGGIO, contattando:  
 Si este producto que ha comprado es un equipo usado, puede recibir un manual del operador GRATUITO llamando al:

**Vermeer Manufacturing Company**

ATTN: Customer Data Department

1210 Vermeer Road East, PO BOX 200

Pella, IA 50219 USA

800-829-0051 or 641-828-3141

Telephone: English speaking only

Téléphone: en anglais uniquement

Telefon: Nur in Englischer Sprache

Telefono: tutte le comunicazioni saranno in inglese

Téléfono: en inglés solamente

OR by completing and mailing the Used Equipment Registration Form enclosed in the Operator's Manual.  
 OU en remplissant et en envoyant le formulaire d'enregistrement de l'équipement d'occasion inclus dans le manuel de l'opérateur.  
 ODER das in der Betriebsanleitung enthaltene Formular zur Registrierung gebrauchter Ausrüstung ausfüllen und einsenden.  
 OPPURE compilando e spedendo il modulo di registrazione per macchinari usati, accluso al manuale dell'operatore.  
 O rellenando y enviando por correo el impreso de registro de equipos usados incluido en el manual del operador.

1

**This product may be covered by one or more of the following patents:**

AU 756,936	US 5,590,041	US 6,195,922	US 6,477,795
CA D 79,593	US 5,607,280	US 6,247,544	US 6,484,818
DE 696 11 846	US 5,611,496	US 6,289,997	US 6,491,115
DE 202 14 959.5	US 5,657,803	US 6,308,787	US 6,497,296
DE Des. 96 006 85.4	US 5,659,985	US 6,315,062	US 6,511,260
EP 772,543	US 5,687,807	US 6,332,502	US 6,516,899
EP 830,522	US 5,692,548	US 6,357,537	US 6,517,733
EP 885,343	US 5,692,549	US 6,360,830	US 6,533,046
EP 1,153,194	US 5,704,142	US 6,367,564	US 6,533,052
GB 2,053,636	US 5,720,354	US 6,374,928	US 6,554,082
HK 1015859	US 5,746,278	US 6,382,330	US 6,557,651
RU 2,158,952	US 5,768,811	US 6,389,360	US 6,577,954
US Des. 308,682	US 5,778,991	US 6,390,207	US 6,585,062
US Des. 396,837	US 5,819,859	US 6,408,952	US 6,588,516
US 4,848,423	US 5,845,689	US 6,408,954	US 6,651,755
US 5,205,181	US 5,904,210	US 6,412,715	US 6,659,202
US 5,219,380	US 5,944,121	US 6,422,495	US 6,668,946
US 5,237,688	US 5,950,942	US 6,435,286	US 6,684,538
US 5,291,964	US 6,014,996	US 6,439,319	US 6,701,647
US 5,509,220	US 6,050,350	US 6,446,365	US 6,719,069
US 5,544,055	US 6,109,367	US 6,446,889	US 6,725,579
US 5,553,407	US 6,119,376	US 6,454,025	US 6,729,050
US 5,556,253	US 6,138,932	US 6,470,976	
US 5,574,642	US 6,154,987	US 6,474,931	
US 5,588,474	US 6,161,630	US 6,474,932	

2

**This product may be covered by one or more of the following licensed patents:**

US 4,694,913	US 4,867,255	US 5,148,880
US 4,858,704	US 4,953,636	US 5,799,740

(OTHER U.S. AND FOREIGN PATENTS PENDING)

## Decal Assy Domestic Fig 1-5r01

REF. NO.	*	PART NO.	DESCRIPTION	QTY.	REMARKS
		Revision Date	July, 2008		Correct Decal Assembly Number
1		2326940	DECAL-NOTICE TO OWNERS	1	
2		7000B119	DECAL - PATENT INDUSTRIAL	1	
	*	901228159	DECAL - D18 X 22 DOMESTIC	1	Inc. Fig. 1-1 Thru 1-5

Decal Assy Domestic Fig 1-5

Notice•Avis•Hinweis•Avviso•Aviso•

If you purchased this product as used equipment, you can receive a FREE Operator's Manual by contacting:  
 Si vous avez achet? cet ?quipement d'occasion, vous pouvez recevoir un manuel de l'op?rateur GRATUIT en composant le:  
 Wenn Sie diese Maschine gebraucht erworben haben, k?nnen Sie eine KOSTENLOSE Betriebsanleitung wie folgt anfordern:  
 Se si ? comprata la presente macchina usata, si pu? ricevere una copia del manuale dell'operatore IN OMAGGIO, contattando:  
 Si este producto que ha comprado es un equipo usado, puede recibir un manual del operador GRATUITO llamando al:

• • • • •

Vermeer Manufacturing Company  
 ATTN: Customer Data Department  
 1210 Vermeer Road East, PO BOX 200  
 Pella, IA 50219 USA  
 800-829-0051 or 641-628-3141  
 Telephone: English speaking only  
 T?l?phone: en anglais uniquement  
 Telefon: Nur in Englischer Sprache  
 Telefono: tutte le comunicazioni saranno in inglese  
 Tel?fono: en ingl?s solamente

• • • • •

OR by completing and mailing the Used Equipment Registration Form enclosed in the Operator's Manual.  
 OU en remplissant et en envoyant le formulaire d'enregistrement de l'?quipement d'occasion inclus dans le manuel de l'op?rateur.  
 ODER das in der Betriebsanleitung enthaltene Formular zur Registrierung gebrauchter Ausr?stung aus?llen und einsenden.  
 OPPURE compilando e spedendo il modulo di registrazione per macchinari usati, accluso al manuale dell'operatore.  
 O rellenando y enviando por correo el impreso de registro de equipos usados incluido en el manual del operador.

1

This product may be covered by one or more of the following patents:

CA D 79,593	US 5,237,888	US 5,746,278	US 6,290,155
CC 95 914 404.5	US 5,291,964	US 5,768,811	US 6,308,787
CC ZL96195734.4	US 5,507,441	US 5,778,991	US 6,315,062
DE 696 11 846	US 5,509,220	US 5,819,859	US 6,332,502
DE Des. 96 006 85.4	US 5,544,055	US 5,845,689	US 6,357,537
EP 772,543	US 5,553,407	US 5,904,210	US 6,360,830
EP 885,343	US 5,556,253	US 5,941,320	US 6,367,564
GB 2,053,636	US 5,574,642	US 5,944,121	US 6,374,928
HK 1015859	US 5,588,474	US 5,950,942	US 6,382,330
RU 2,141,907	US 5,590,041	US 6,014,996	US 6,389,360
RU 2,158,952	US 5,607,280	US 6,050,350	US 6,390,207
RU 2,175,368	US 5,611,496	US 6,109,367	US 6,408,952
US Des. 308,682	US 5,657,803	US 6,119,376	US 6,408,954
US Des. 396,837	US 5,659,985	US 6,138,932	US 6,412,715
US 4,848,423	US 5,687,807	US 6,154,987	US 6,422,495
US 5,074,063	US 5,692,548	US 6,161,630	
US 5,088,532	US 5,692,549	US 6,195,922	
US 5,205,181	US 5,704,142	US 6,247,544	
US 5,219,380	US 5,720,354	US 6,289,997	

This product may be covered by one or more of the following licensed patents:

US 4,694,913	US 4,867,255	US 5,148,880
US 4,858,704	US 4,953,638	US 5,799,740

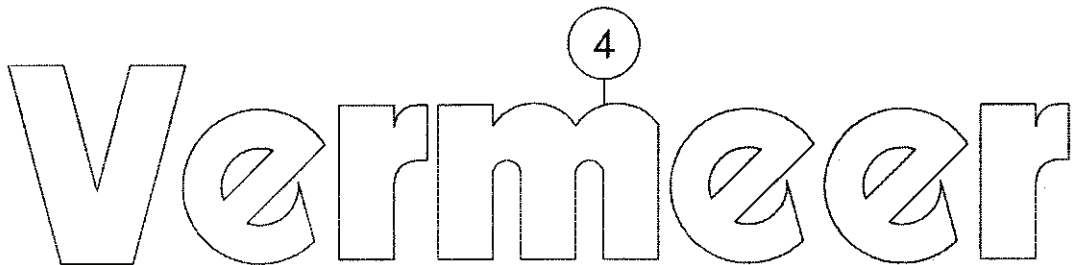
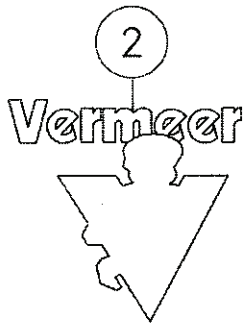
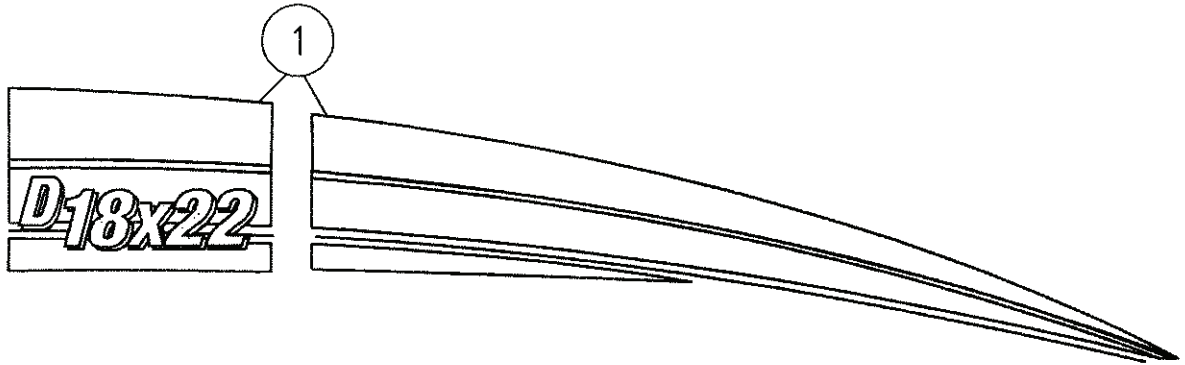
(OTHER U.S. AND FOREIGN PATENTS PENDING)

2

## Decal Assy Domestic Fig 1-5

REF. NO.	*	PART NO.	DESCRIPTION	QTY.	REMARKS
1		2326940	DECAL-NOTICE TO OWNERS	1	
2		7000B119	DECAL - PATENT INDUSTRIAL	1	
		901288159	DECAL-D18X22 DOMESTIC	1	Inc. Fig 1-1 Thru 1-5

Decal Assy International Fig 1-6r01

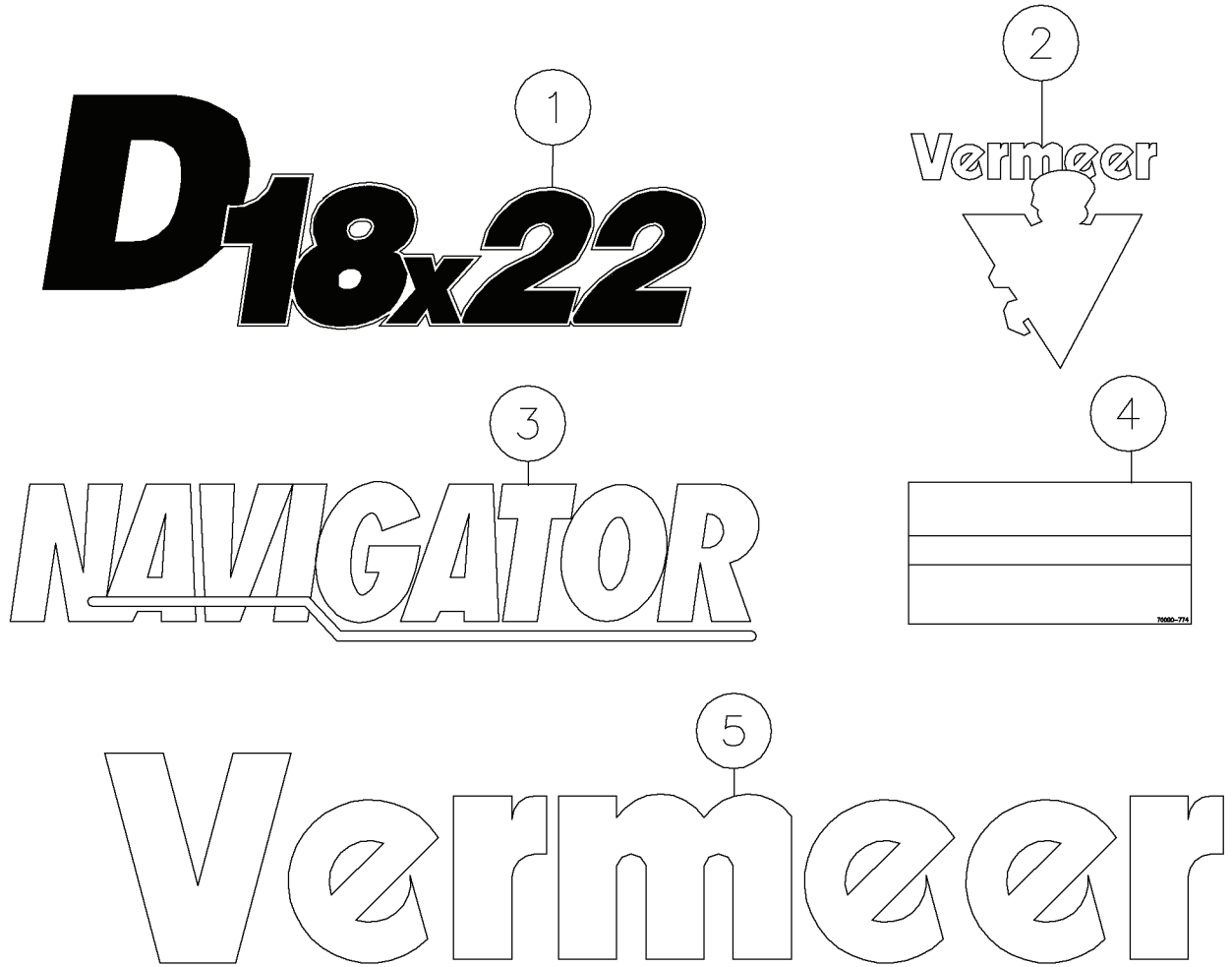




## Decal Assy International Fig 1-6r01

REF. NO.	*	PART NO.	DESCRIPTION	QTY.	REMARKS
		Revision Date	July, 2008		Correct Decal Assembly Number
1		7000C461	DECAL - D18X22 RIGHT STRIPE	1	S/N 329 & Up
2		70000784	DECAL 6"VERMEER LOGO	1	
3		70000614	DECAL-MODEL NAVIGATOR (BIG)	1	
4		2326595	DECAL VERMEER- 4 1/2 X 24	1	
	*	901228160	DECAL-D18X22 INTERNATIONAL	1	Inc Fig 1-6 Thru 1-10

Decal Assy International Fig 1-6

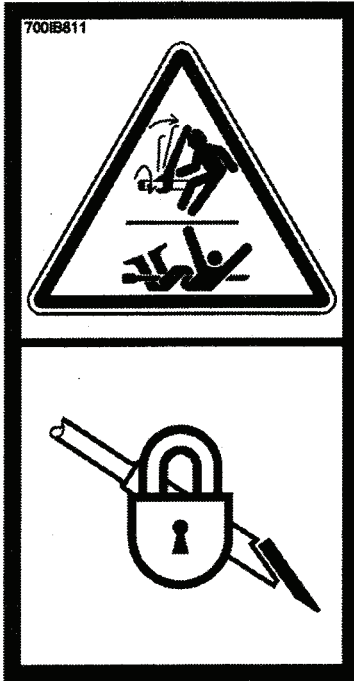


## Decal Assy International Fig 1-6

REF. NO.	*	PART NO.	DESCRIPTION	QTY.	REMARKS
1		7000B965	DECAL - MODEL NUMBER D18X22	1	
2		70000784	DECAL 6"VERMEER LOGO	1	
3		70000614	DECAL-MODEL NAVIGATOR (BIG)	1	
4		70000775	DECAL 3"VERMEER STRIPE	A/R	P/n Qty. Of 1 = 1 Foot, 5 Ft Require
5		2326595	DECAL VERMEER- 4 1/2 X 24	1	
		901288160	DECAL-D18X22 INTERNATIONAL	1	INC FIG 1-6 THRU 1-10

Decal Assy International Fig 1-7r01

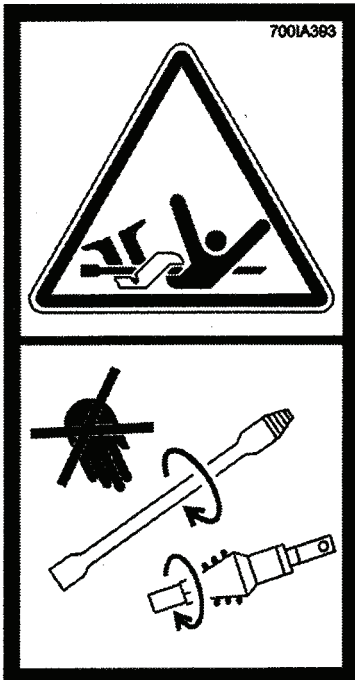
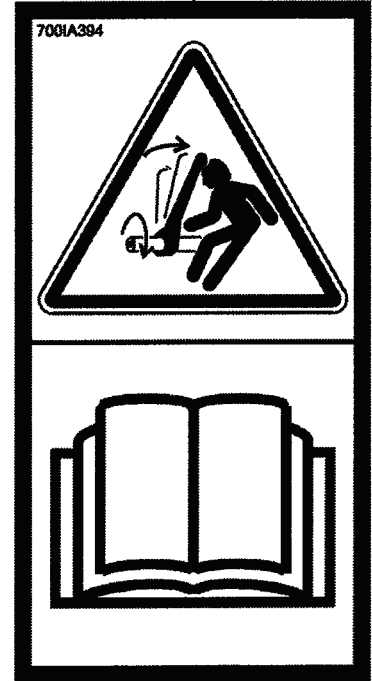
1



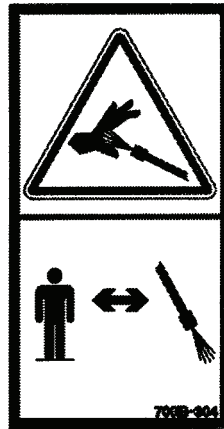
2



3



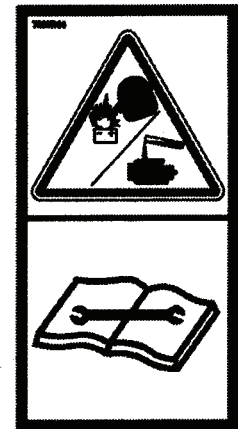
4



5



6

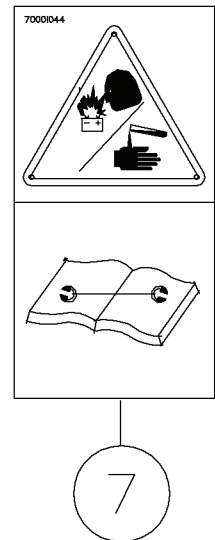
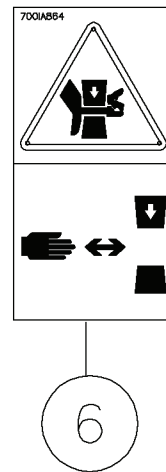
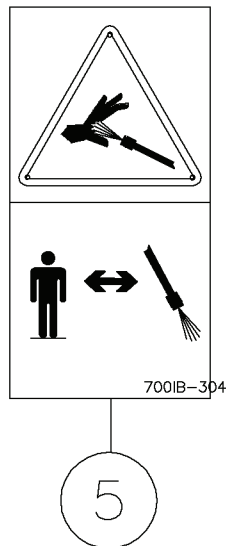
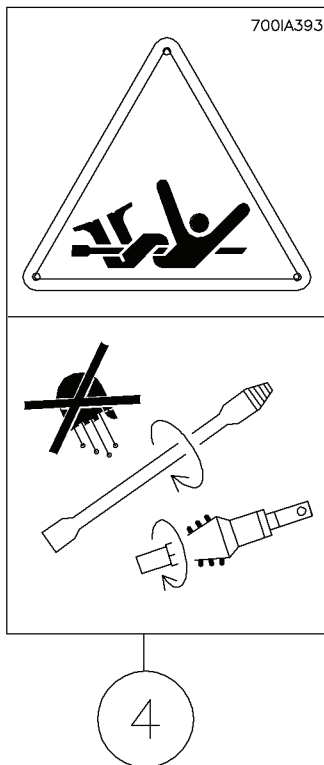
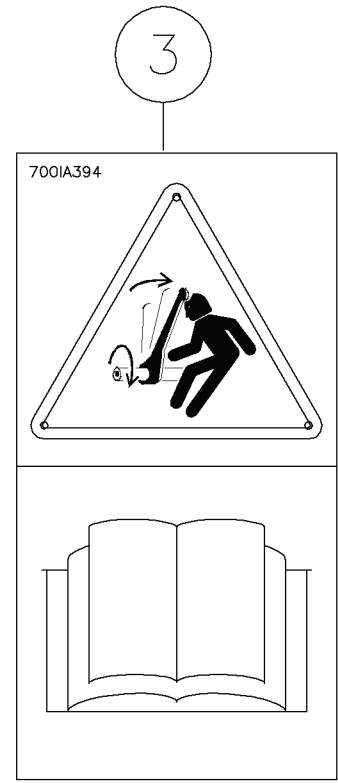


7

## Decal Assy International Fig 1-7r01

REF. NO.	*	PART NO.	DESCRIPTION	QTY.	REMARKS
		Revision Date	February, 2004		Update In Illustration.
1		700IB811	DECAL - DANGER - RLE INTERNATIONAL	1	
2		700IA627	DECAL-DANGER	4	
3		700IA394	DECAL - WARNING	1	
4		700IA393	DECAL - DANGER	1	
5		700IB304	DECAL - WARNING	1	
6		700IA864	DECAL-WARNING INTERNATIONAL	2	
7		7000I044	DECAL-WARNING	1	
		901288160	DECAL-D18X22 INTERNATIONAL		Inc Fig 1-6 Thru 1-10

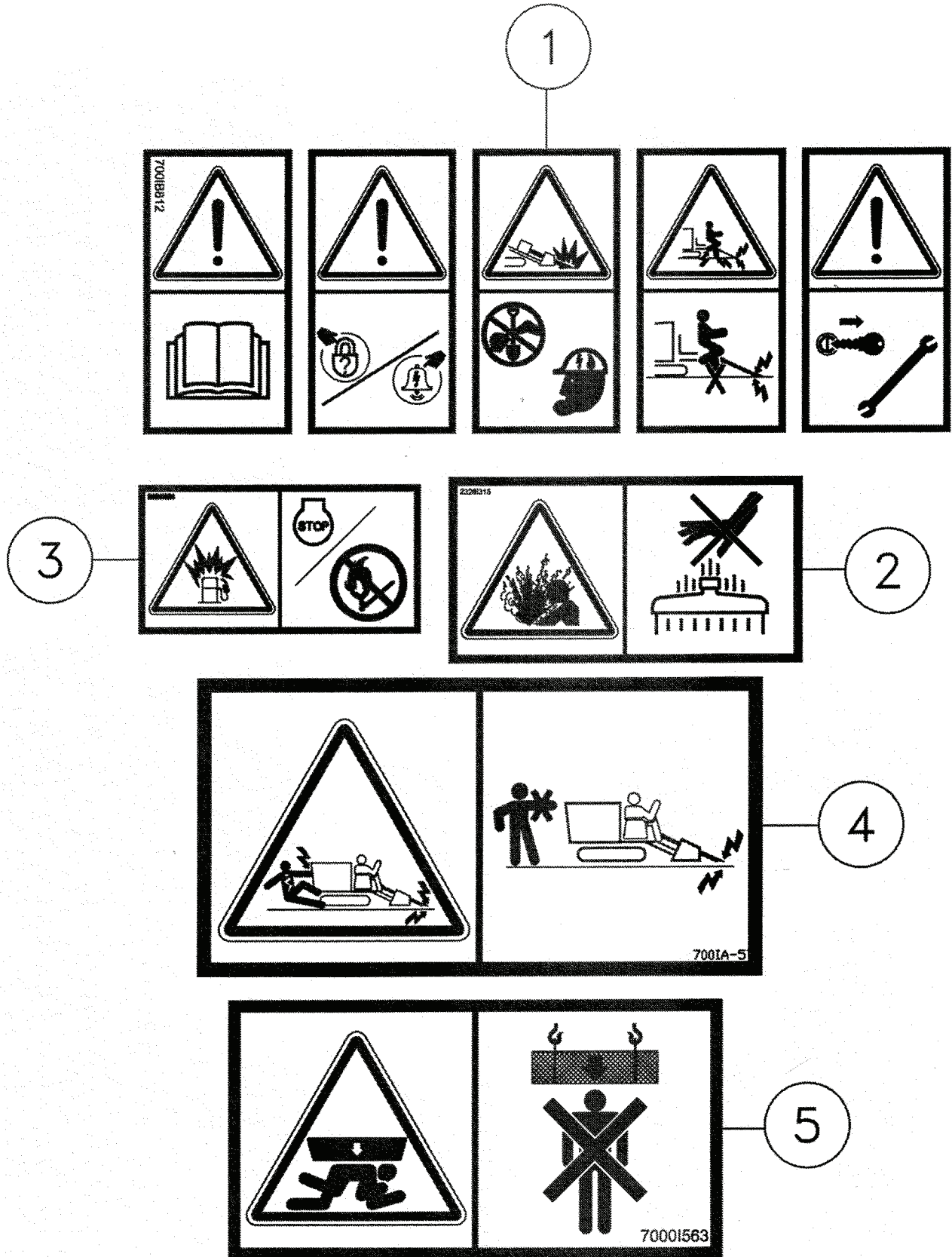
Decal Assy International Fig 1-7



## Decal Assy International Fig 1-7

REF. NO.	*	PART NO.	DESCRIPTION	QTY.	REMARKS
1		700IB811	DECAL - DANGER - RLE INTERNATIONAL	1	
2		700IA627	DECAL-DANGER	4	
3		700IA394	DECAL - WARNING	1	
4		700IA393	DECAL - DANGER	1	
5		700IB304	DECAL - WARNING	1	
6		700IA864	DECAL-WARNING INTERNATIONAL	2	
7		7000I044	DECAL-WARNING	1	
		901288160	DECAL-D18X22 INTERNATIONAL	1	Inc Fig 1-6 Thru 1-10

Decal Assy International Fig 1-8r01





## Decal Assy International Fig 1-8r01

REF. NO.	*	PART NO.	DESCRIPTION	QTY.	REMARKS
		Revision Date	February, 2004		Update In Illustration & Parts List.
1		700IB812	DECAL - WARNING	1	
2		2326I315	DECAL-WARNING	1	
3		2326I324	DECAL-WARNING	1	
4		700IA576	DECAL-DANGER	3	
5		7000I563	DECAL-WARNING (UND)	3	
		901288160	DECAL-D18X22 INTERNATIONAL		Inc. Fig 1-6 Thru 1-10

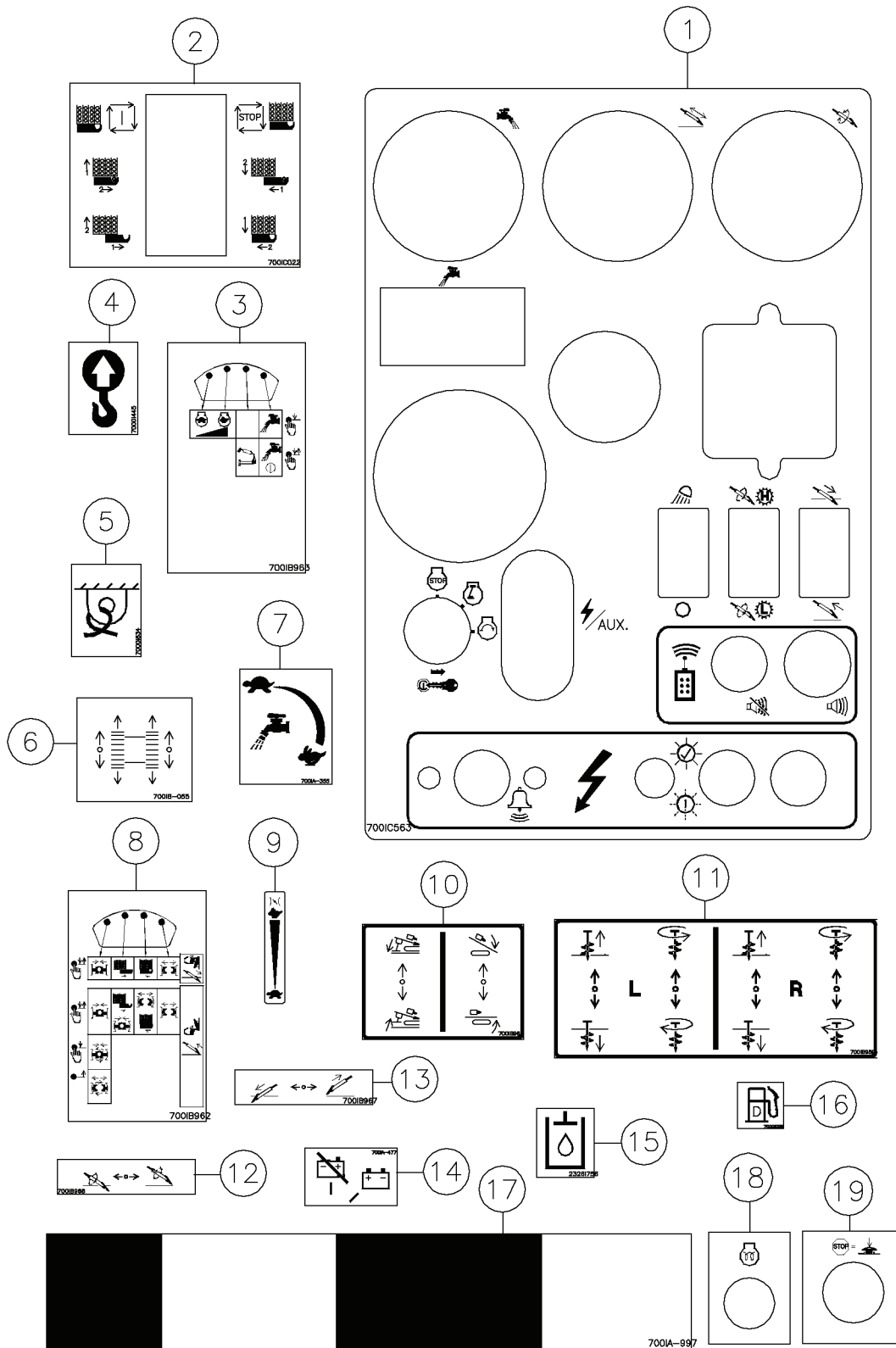
Decal Assy International Fig 1-8



## Decal Assy International Fig 1-8

REF. NO.	*	PART NO.	DESCRIPTION	QTY.	REMARKS
1		700IB812	DECAL - WARNING	1	
2		2326I315	DECAL-WARNING	1	
3		2326I324	DECAL-WARNING	1	
4		700IA576	DECAL-DANGER	3	
5		7000I563	DECAL-WARNING (UND)	3	
		901288160	DECAL-D18X22 INTERNATIONAL	1	Inc. Fig 1-6 Thru 1-10

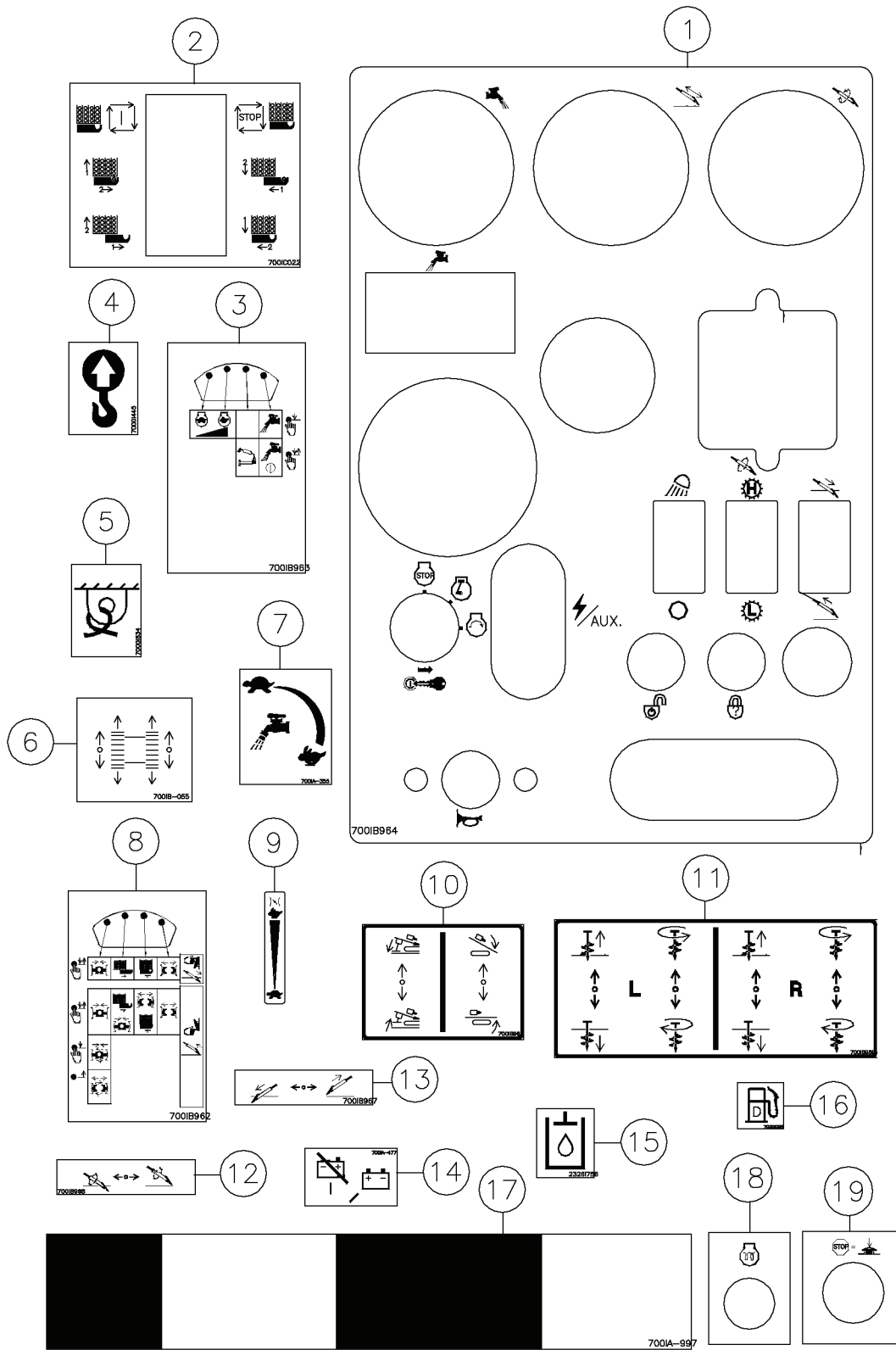
Decal Assy International Fig 1-9r01



## Decal Assy International Fig 1-9r01

REF. NO.	*	PART NO.	DESCRIPTION	QTY.	REMARKS
		Revision Date	May, 2005		Update In Illustration & Parts List.
1		700IC563	DECAL - CONTROL PANEL	1	
2		700IC022	DECAL - CONTROLS	1	
3		700IB963	DECAL - LEFT JOYSTICK	1	
4		7000I445	DECAL-LIFT POINT	4	
5		7000I834	DECAL - TIE DOWN POINT	4	
6		700IB055	DECAL - TRACK DRIVE	1	
7		700IA335	DECAL- RADIOREMOTECAB&CONTRLPAN	1	
8		700IB962	DECAL - RIGHT JOYSTICK	1	
9		700IC035	DECAL-THROTTLE	1	
10		700IB961	DECAL - RACK LIFT / OUTRIGGER	1	
11		700IB959	DECAL - STAKEDOWN	1	
12		700IB968	DECAL - LEFT JOYSTICK - ROTATION	1	
13		700IB967	DECAL - RIGHT JOYSTICK - THRUST	1	
14		700IA477	DECAL_BATTERY SWITCH (UG)	1	
15		2326I756	DECAL-HYDRAULIC FLUID	1	
16		7000I098	DECAL-DIESEL FUEL	1	
17		700IA997	DECAL - GEARBOX POSITION	1	
18		7000C072	DECAL-GLOW PLUG	1	
19		7000C073	DECAL-E-STOP	2	
		901288160	DECAL-D18X22 INTERNATIONAL	1	Inc Fig 1-6 Thru 1-10

Decal Assy International Fig 1-9



## Decal Assy International Fig 1-9

REF. NO.	*	PART NO.	DESCRIPTION	QTY.	REMARKS
1		700IB964	DECAL - CONTROL PANEL	1	
2		700IC022	DECAL - CONTROLS	1	
3		700IB963	DECAL - LEFT JOYSTICK	1	
4		7000I445	DECAL-LIFT POINT	4	
5		7000I834	DECAL - TIE DOWN POINT	4	
6		700IB055	DECAL - TRACK DRIVE	1	
7		700IA335	DECAL- RADIOREMOTECAB&CONTRLPAN	1	
8		700IB962	DECAL - RIGHT JOYSTICK	1	
9		700IC035	DECAL-THROTTLE	1	
10		700IB961	DECAL - RACK LIFT / OUTRIGGER	1	
11		700IB959	DECAL - STAKEDOWN	1	
12		700IB968	DECAL - LEFT JOYSTICK - ROTATION	1	
13		700IB967	DECAL - RIGHT JOYSTICK - THRUST	1	
14		700IA477	DECAL_BATTERY SWITCH (UG)	1	
15		2326I756	DECAL-HYDRAULIC FLUID	1	
16		7000I098	DECAL-DIESEL FUEL	1	
17		700IA997	DECAL - GEARBOX POSITION	1	
18		7000C072	DECAL-GLOW PLUG	1	
19		7000C073	DECAL-E-STOP	2	
		901288160	DECAL-D18X22 INTERNATIONAL	1	Inc Fig 1-6 Thru 1-10

Decal Assy International Fig 1-10r01

**Notice • Avis • Hinweis • Avviso • Aviso •**

If you purchased this product as used equipment, you can receive a FREE Operator's Manual by contacting:  
 Si vous avez acheté cet équipement d'occasion, vous pouvez recevoir un manuel de l'opérateur GRATUIT en composant le:  
 Wenn Sie diese Maschine gebraucht erworben haben, können Sie eine KOSTENLOSE Betriebsanleitung wie folgt anfordern:  
 Se si è comprata la presente macchina usata, si può ricevere una copia del manuale dell'operatore IN OMAGGIO, contattando:  
 Si este producto que ha comprado es un equipo usado, puede recibir un manual del operador GRATUITO llamando al:

**Vermeer Manufacturing Company**

ATTN: Customer Data Department

1210 Vermeer Road East, PO BOX 200

Pella, IA 50219 USA

800-829-0051 or 641-828-3141

Telephone: English speaking only

Téléphone: en anglais uniquement

Telefon: Nur in Englischer Sprache

Telefono: tutte le comunicazioni saranno in inglese

Téléfono: en inglés solamente

OR by completing and mailing the Used Equipment Registration Form enclosed in the Operator's Manual.  
 OU en remplissant et en envoyant le formulaire d'enregistrement de l'équipement d'occasion inclus dans le manuel de l'opérateur.  
 ODER das in der Betriebsanleitung enthaltene Formular zur Registrierung gebrauchter Ausrüstung ausfüllen und einsenden.  
 OPPURE compilando e spedendo il modulo di registrazione per macchinari usati, accluso al manuale dell'operatore.  
 O rellenando y enviando por correo el impreso de registro de equipos usados incluido en el manual del operador.

1

**This product may be covered by one or more of the following patents:**

AU 756,936	US 5,590,041	US 6,195,922	US 6,477,795
CA D 79,593	US 5,607,280	US 6,247,544	US 6,484,818
DE 696 11 846	US 5,611,496	US 6,289,997	US 6,491,115
DE 202 14 959.5	US 5,657,803	US 6,308,787	US 6,497,296
DE Des. 96 006 85.4	US 5,659,985	US 6,315,062	US 6,511,260
EP 772,543	US 5,687,807	US 6,332,502	US 6,516,899
EP 830,522	US 5,692,548	US 6,357,537	US 6,517,733
EP 885,343	US 5,692,549	US 6,360,830	US 6,533,046
EP 1,153,194	US 5,704,142	US 6,367,564	US 6,533,052
GB 2,053,636	US 5,720,354	US 6,374,928	US 6,554,082
HK 1015859	US 5,746,278	US 6,382,330	US 6,557,651
RU 2,158,952	US 5,768,811	US 6,389,360	US 6,577,954
US Des. 308,682	US 5,778,991	US 6,390,207	US 6,585,062
US Des. 396,837	US 5,819,859	US 6,408,952	US 6,588,516
US 4,848,423	US 5,845,689	US 6,408,954	US 6,651,755
US 5,205,181	US 5,904,210	US 6,412,715	US 6,659,202
US 5,219,380	US 5,944,121	US 6,422,495	US 6,668,946
US 5,237,688	US 5,950,942	US 6,435,286	US 6,684,538
US 5,291,964	US 6,014,996	US 6,439,319	US 6,701,647
US 5,509,220	US 6,050,350	US 6,446,365	US 6,719,069
US 5,544,055	US 6,109,367	US 6,446,889	US 6,725,579
US 5,553,407	US 6,119,376	US 6,454,025	US 6,729,050
US 5,556,253	US 6,138,932	US 6,470,976	
US 5,574,642	US 6,154,987	US 6,474,931	
US 5,588,474	US 6,161,630	US 6,474,932	

2

**This product may be covered by one or more of the following licensed patents:**

US 4,694,913	US 4,867,255	US 5,148,880
US 4,858,704	US 4,953,636	US 5,799,740

(OTHER U.S. AND FOREIGN PATENTS PENDING)



## Decal Assy International Fig 1-10r01

REF. NO.	*	PART NO.	DESCRIPTION	QTY.	REMARKS
		Revision Date	July, 2004		Update In Illustration.
1		2326940	DECAL-NOTICE TO OWNERS	1	
2		7000B119	DECAL - PATENT INDUSTRIAL	1	
		901228160	DECAL - D18 X 22 INTERNATIONAL	1	INC. FIG. 1-6 THRU 1-10

Decal Assy International Fig 1-10

Notice•Avis•Hinweis•Avviso•Aviso•

If you purchased this product as used equipment, you can receive a FREE Operator's Manual by contacting:  
 Si vous avez acheté cet équipement d'occasion, vous pouvez recevoir un manuel de l'opérateur GRATUIT en composant le:  
 Wenn Sie diese Maschine gebraucht erworben haben, können Sie eine KOSTENLOSE Betriebsanleitung wie folgt anfordern:  
 Se si è comprata la presente macchina usata, si può ricevere una copia del manuale dell'operatore IN OMAGGIO, contattando:  
 Si este producto que ha comprado es un equipo usado, puede recibir un manual del operador GRATUITO llamando al:

• • • • •

Vermeer Manufacturing Company  
 ATTN: Customer Data Department  
 1210 Vermeer Road East, PO BOX 200  
 Pella, IA 50219 USA  
 800-829-0051 or 641-628-3141  
 Telephone: English speaking only  
 Téléphone: en anglais uniquement  
 Telefon: Nur in Englischer Sprache  
 Telefono: tutte le comunicazioni saranno in inglese  
 Teléfono: en inglés solamente

• • • • •

OR by completing and mailing the Used Equipment Registration Form enclosed in the Operator's Manual.  
 OU en remplissant et en envoyant le formulaire d'enregistrement de l'équipement d'occasion inclus dans le manuel de l'opérateur.  
 ODER das in der Betriebsanleitung enthaltene Formular zur Registrierung gebrauchter Ausrüstung ausfüllen und einsenden.  
 OPPURE compilando e spedendo il modulo di registrazione per macchinari usati, accluso al manuale dell'operatore.  
 O rellenando y enviando por correo el impreso de registro de equipos usados incluido en el manual del operador.



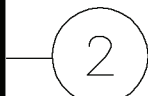
This product may be covered by one or more of the following patents:

CA D 79,593	US 5,237,888	US 5,746,278	US 6,290,155
CC 95 914 404.5	US 5,291,964	US 5,768,811	US 6,308,787
CC ZL96195734.4	US 5,507,441	US 5,778,991	US 6,315,062
DE 696 11 846	US 5,509,220	US 5,819,859	US 6,332,502
DE Des. 96 006 85.4	US 5,544,055	US 5,845,689	US 6,357,537
EP 772,543	US 5,553,407	US 5,904,210	US 6,360,830
EP 885,343	US 5,556,253	US 5,941,320	US 6,367,564
GB 2,053,636	US 5,574,642	US 5,944,121	US 6,374,928
HK 1015859	US 5,588,474	US 5,950,942	US 6,382,330
RU 2,141,907	US 5,590,041	US 6,014,996	US 6,389,360
RU 2,158,952	US 5,607,280	US 6,050,350	US 6,390,207
RU 2,175,368	US 5,611,496	US 6,109,367	US 6,408,952
US Des. 308,682	US 5,657,803	US 6,119,376	US 6,408,954
US Des. 396,837	US 5,659,985	US 6,138,932	US 6,412,715
US 4,848,423	US 5,687,807	US 6,154,987	US 6,422,495
US 5,074,063	US 5,692,548	US 6,161,630	
US 5,088,532	US 5,692,549	US 6,195,922	
US 5,205,181	US 5,704,142	US 6,247,544	
US 5,219,380	US 5,720,354	US 6,289,997	

This product may be covered by one or more of the following licensed patents:

US 4,694,913	US 4,867,255	US 5,148,880
US 4,858,704	US 4,953,638	US 5,799,740

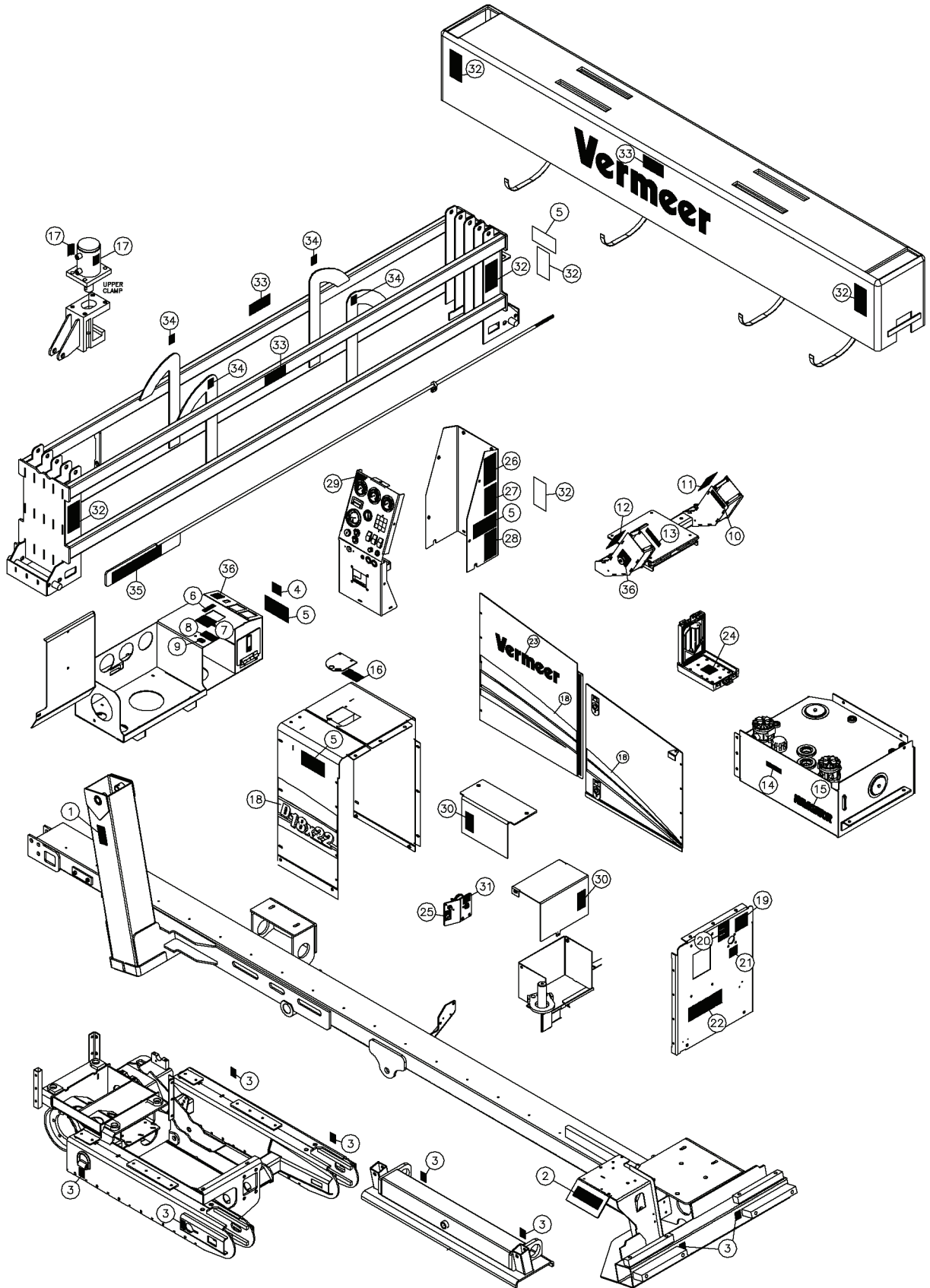
(OTHER U.S. AND FOREIGN PATENTS PENDING)



## Decal Assy International Fig 1-10

REF. NO.	*	PART NO.	DESCRIPTION	QTY.	REMARKS
1		2326940	DECAL-NOTICE TO OWNERS	1	
2		7000B119	DECAL - PATENT INDUSTRIAL	1	
		901228160	DECAL-D18X22 INTERNATIONAL	1	Inc Fig 1-6 Thru 1-10

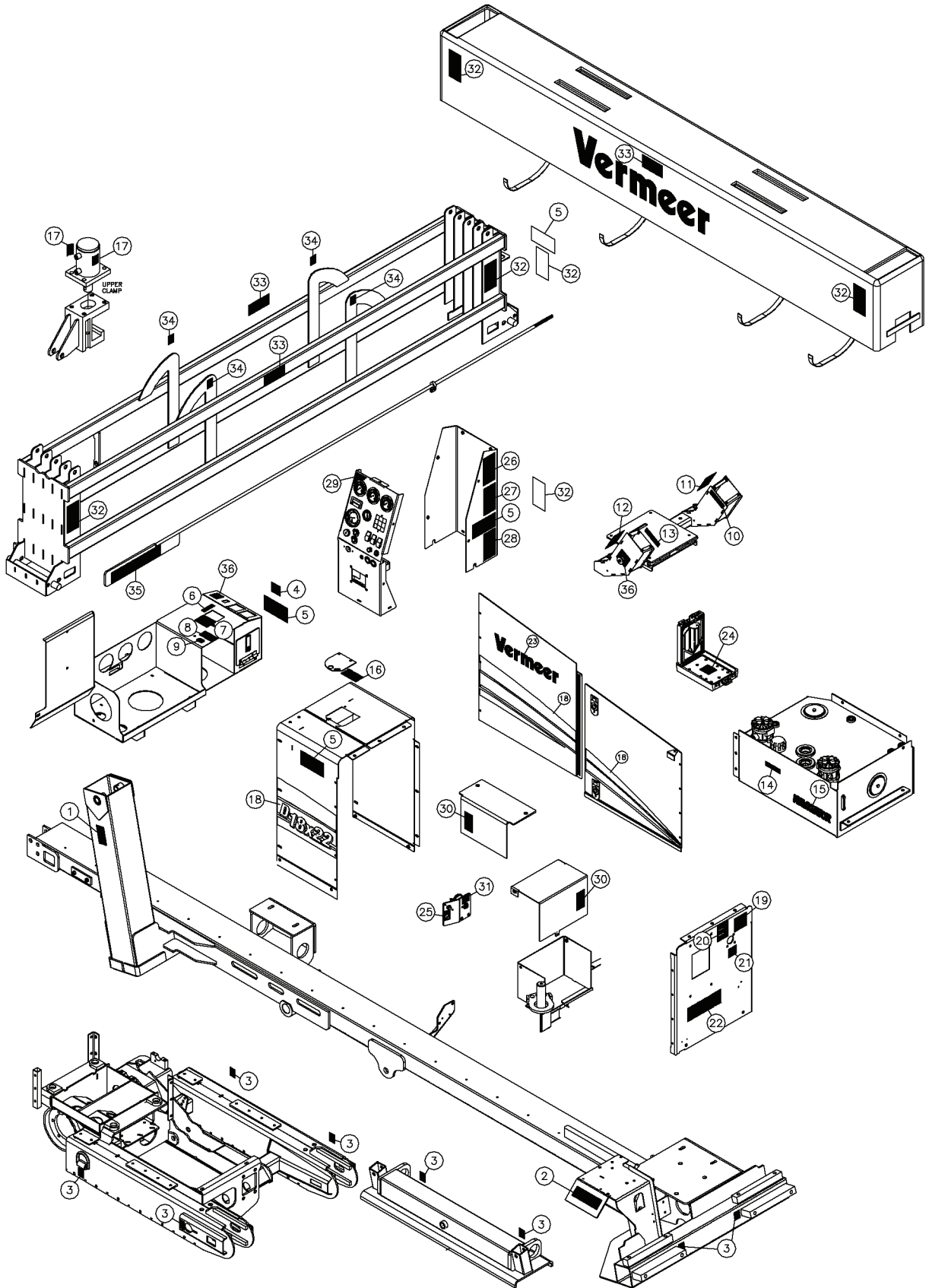
Decal Location Fig 1-11r02



## Decal Location Fig 1-11r02

REF. NO.	*	PART NO.	DESCRIPTION	QTY.	REMARKS
		Revision Date	May, 2005		Update In Illustration & Parts List.
1		7000B304	DECAL - WARNING	1	
		700IB304	DECAL - WARNING	1	International
2		700IB959	DECAL - STAKEDOWN	1	
3		7000I834	DECAL - TIE DOWN POINT	8	
4		700IB055	DECAL - TRACK DRIVE	1	
5		7000A576	DECAL-DANGER	3	
		700IA576	DECAL-DANGER	3	International
6		700IC035	DECAL-THROTTLE	1	
7		700IB961	DECAL - RACK LIFT / OUTRIGGER	1	
8		2326324	DECAL-WARNING/REFUEL	1	
		2326I324	DECAL-WARNING	1	International
9		70000098	DECAL-DIESEL (AT/UND)	1	
		7000I098	DECAL-DIESEL FUEL	1	International
10		700IB968	DECAL - LEFT JOYSTICK - ROTATION	1	
11		700IB963	DECAL - LEFT JOYSTICK	1	
12		700IB962	DECAL - RIGHT JOYSTICK	1	
13		700IB967	DECAL - RIGHT JOYSTICK - THRUST	1	
14		70000394	DECAL-VERMEER HY POWER	1	
15		70000614	DECAL-MODEL NAVIGATOR (BIG)	1	
16		2326315	DECAL-WARNING	1	
		2326I315	DECAL-WARNING	1	International
17		7000A864	DECAL-WARNING DOMESTIC	2	
		700IA864	DECAL-WARNING INTERNATIONAL	2	International
18		7000C461	DECAL - D18X22 RIGHT STRIPE	1	S/N 329 & Up
19		7000B119	DECAL - PATENT INDUSTRIAL	1	
20		700IC022	DECAL - CONTROLS	1	
21		700IA355	DECAL-DRILLING FLUIDSPEED(UND)	1	
			Continued On Next Page		

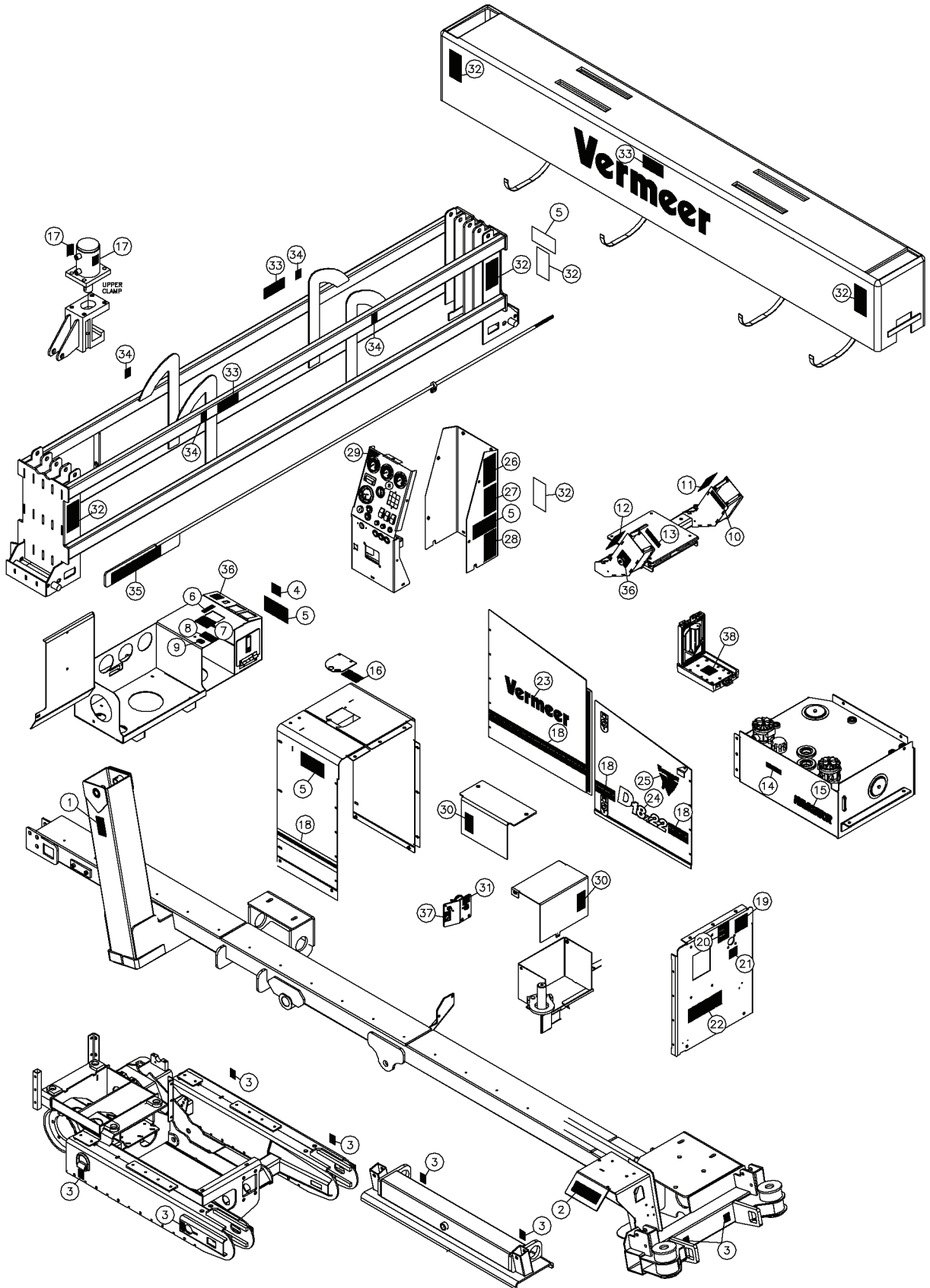
Decal Location (Continued) Fig 1-11r02



## Decal Location (Continued) Fig 1-11r02

REF. NO.	*	PART NO.	DESCRIPTION	QTY.	REMARKS
		Revision Date	May, 2005		Update In Illustration & Parts List.
22		7000B812	DECAL - WARNING	1	
		700IB812	DECAL - WARNING	1	International
23		2326595	DECAL VERMEER- 4 1/2 X 24	1	
24		2326940	DECAL-NOTICE TO OWNERS	1	
25		7000C072	DECAL-GLOW PLUG	1	
26		7000A393	DECAL - DANGER	1	
		700IA393	DECAL - DANGER	1	International
27		7000A394	DECAL - WARNING	1	
		700IA394	DECAL - WARNING	1	International
28		7000B811	DECAL - DANGER - RLE - DOMESTIC	1	
		700IB811	DECAL - DANGER - RLE INTERNATIONAL	1	International
29		700IC563	DECAL - CONTROL PANEL	1	
30		70000044	DECAL-WARNING(AT/UND)	2	
		7000I044	DECAL-WARNING	2	International
31		700IA477	DECAL_BATTERY SWITCH (UG)	1	
32		7000A627	DECAL-DANGER	6	
		700IA627	DECAL-DANGER	6	International
33		70000563	DECAL-WARNING (UND)	3	
		7000I563	DECAL-WARNING (UND)	3	International
34		7000I445	DECAL-LIFT POINT	4	
35		700IA997	DECAL - GEARBOX POSITION	1	
36		7000C073	DECAL-E-STOP	1	

Decal Location Fig 1-11r01

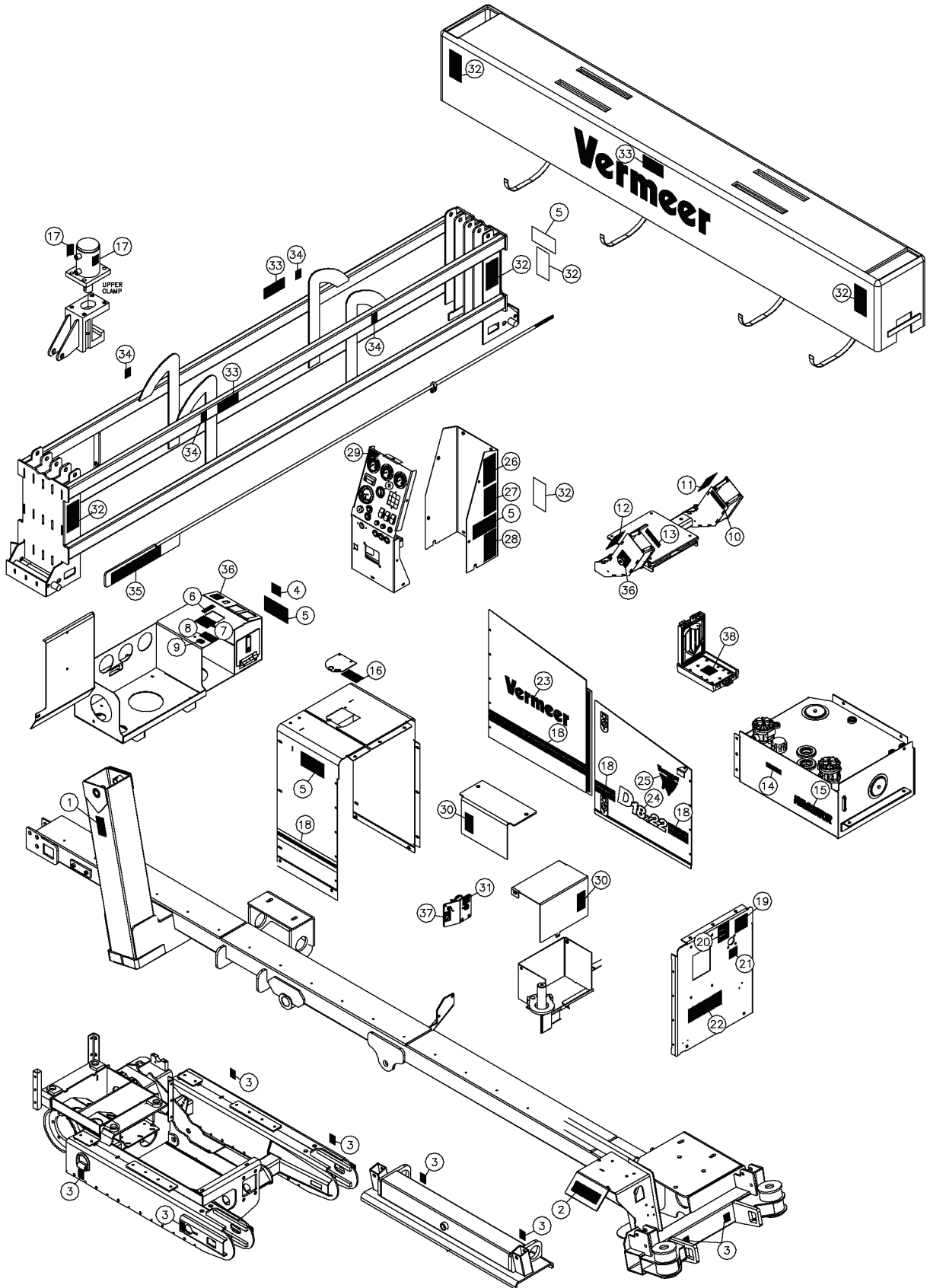




## Decal Location Fig 1-11r01

REF. NO.	*	PART NO.	DESCRIPTION	QTY.	REMARKS
		Revision Date	February, 2004		Update In Illustration & Parts List.
1		7000B304	DECAL - WARNING	1	
		700IB304	DECAL - WARNING	1	International
2		700IB959	DECAL - STAKEDOWN	1	
3		7000I834	DECAL - TIE DOWN POINT	8	
4		700IB055	DECAL - TRACK DRIVE	1	
5		7000A576	DECAL-DANGER	3	
		700IA576	DECAL-DANGER	3	International
6		700IC035	DECAL-THROTTLE	1	
7		700IB961	DECAL - RACK LIFT / OUTRIGGER	1	
8		2326324	DECAL-WARNING/REFUEL	1	
		2326I324	DECAL-WARNING	1	International
9		70000098	DECAL-DIESEL (AT/UND)	1	
		7000I098	DECAL-DIESEL FUEL	1	International
10		700IB968	DECAL - LEFT JOYSTICK - ROTATION	1	
11		700IB963	DECAL - LEFT JOYSTICK	1	
12		700IB962	DECAL - RIGHT JOYSTICK	1	
13		700IB967	DECAL - RIGHT JOYSTICK - THRUST	1	
14		70000394	DECAL-VERMEER HY POWER	1	
15		70000614	DECAL-MODEL NAVIGATOR (BIG)	1	
16		2326315	DECAL-WARNING	1	
		2326I315	DECAL-WARNING	1	International
17		7000A864	DECAL-WARNING DOMESTIC	2	
		700IA864	DECAL-WARNING INTERNATIONAL	2	International
18		70000775	DECAL 3"VERMEER STRIPE	A/R	P/n Qty. Of 1 = 1 Foot
19		7000B119	DECAL - PATENT INDUSTRIAL	1	
20		700IC022	DECAL - CONTROLS	1	
21		700IA355	DECAL-DRILLING FLUIDSPEED(UND)	1	
			Continued On Next Page		

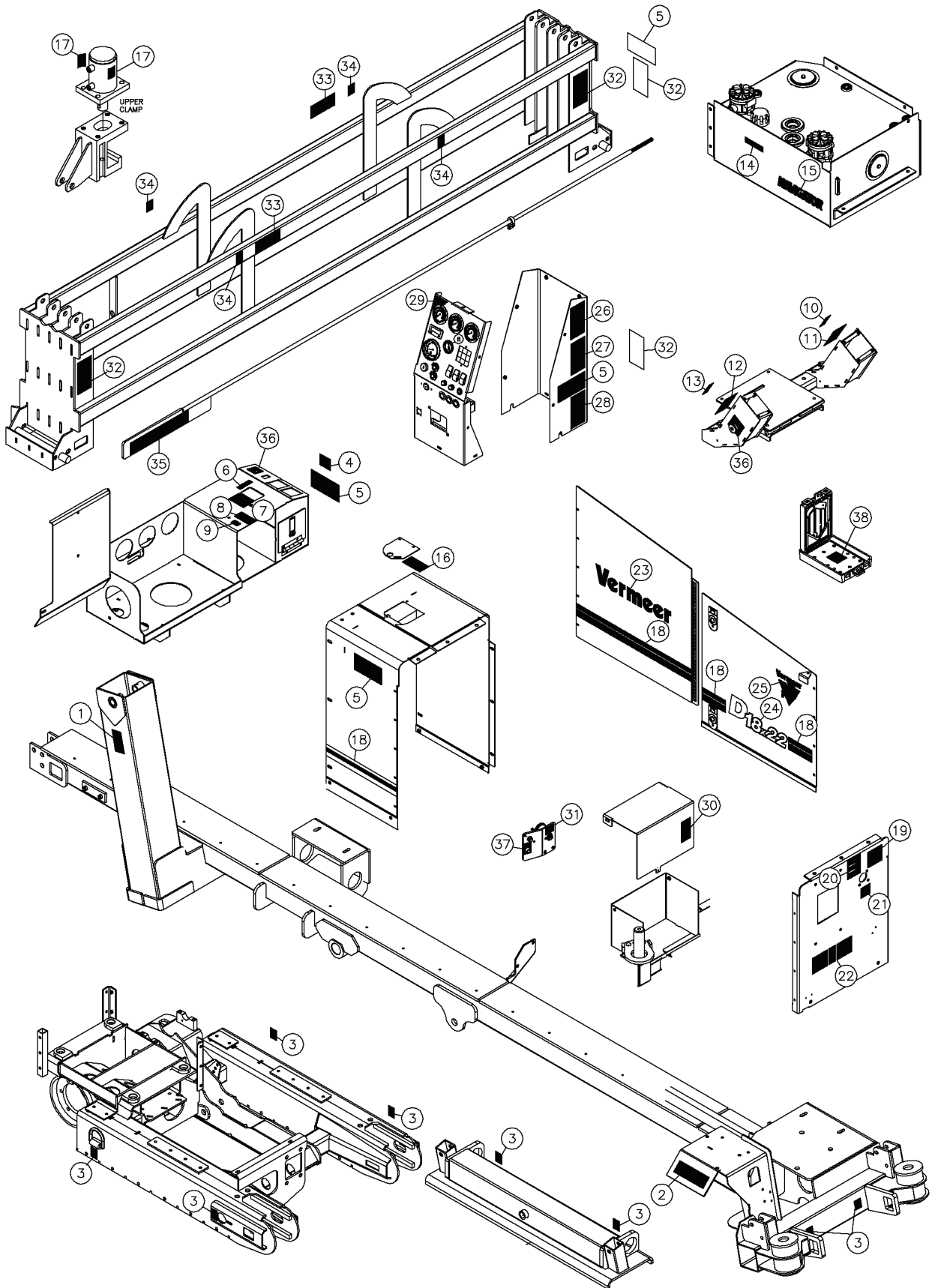
Decal Location (Continued) Fig 1-11r01



## Decal Location (Continued) Fig 1-11r01

REF. NO.	*	PART NO.	DESCRIPTION	QTY.	REMARKS
		Revision Date	February, 2004		Update In Illustration & Parts List.
22		7000B812	DECAL - WARNING	1	
		700IB812	DECAL - WARNING	1	International
23		2326595	DECAL VERMEER- 4 1/2 X 24	1	
24		7000B965	DECAL - MODEL NUMBER D18X22	1	
25		70000787	DECAL 12"VERMEER LOGO	1	
26		7000A393	DECAL - DANGER	1	
		700IA393	DECAL - DANGER	1	International
27		7000A394	DECAL - WARNING	1	
		700IA394	DECAL - WARNING	1	International
28		7000B811	DECAL - DANGER - RLE - DOMESTIC	1	
		700IB811	DECAL - DANGER - RLE INTERNATIONAL	1	International
29		700IB964	DECAL - CONTROL PANEL	1	
30		70000044	DECAL-WARNING(AT/UND)	2	
		7000I044	DECAL-WARNING	2	International
31		700IA477	DECAL_BATTERY SWITCH (UG)	1	
32		7000A627	DECAL-DANGER	6	
		700IA627	DECAL-DANGER	6	International
33		70000563	DECAL-WARNING (UND)	3	
		7000I563	DECAL-WARNING (UND)	3	International
34		7000I445	DECAL-LIFT POINT	4	
35		700IA997	DECAL - GEARBOX POSITION	1	
36		7000C073	DECAL-E-STOP	1	
37		7000C072	DECAL-GLOW PLUG	1	
38		2326940	DECAL-NOTICE TO OWNERS	1	

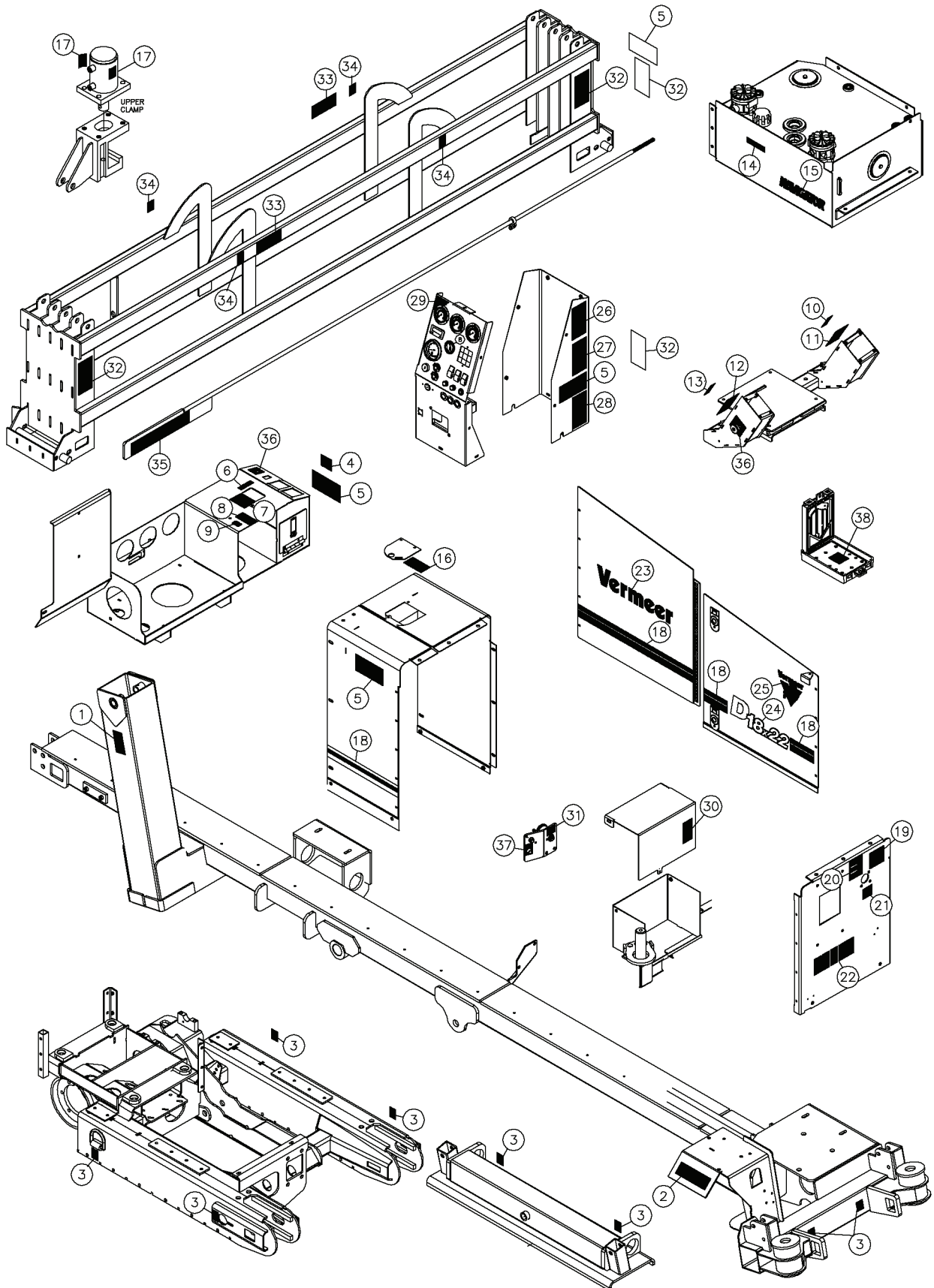
Decal Location Fig 1-11



## Decal Location Fig 1-11

REF. NO.	*	PART NO.	DESCRIPTION	QTY.	REMARKS
1		7000B304	DECAL - WARNING	1	
		700IB304	DECAL - WARNING	1	International
2		700IB959	DECAL - STAKEDOWN	1	
3		7000I834	DECAL - TIE DOWN POINT	8	
4		700IB055	DECAL - TRACK DRIVE	1	
5		7000A576	DECAL-DANGER	3	
		700IA576	DECAL-DANGER	3	International
6		700IC035	DECAL-THROTTLE	1	
7		700IB961	DECAL - RACK LIFT / OUTRIGGER	1	
8		2326324	DECAL-WARNING/REFUEL	1	
		2326I324	DECAL-WARNING	1	International
9		70000098	DECAL-DIESEL (AT/UND)	1	
		7000I098	DECAL-DIESEL FUEL	1	International
10		700IB968	DECAL - LEFT JOYSTICK - ROTATION	1	
11		700IB963	DECAL - LEFT JOYSTICK	1	
12		700IB962	DECAL - RIGHT JOYSTICK	1	
13		700IB967	DECAL - RIGHT JOYSTICK - THRUST	1	
14		70000394	DECAL-VERMEER HY POWER	1	
15		70000614	DECAL-MODEL NAVIGATOR (BIG)	1	
16		2326315	DECAL-WARNING	1	
		2326I315	DECAL-WARNING	1	International
17		7000A864	DECAL-WARNING DOMESTIC	2	
		700IA864	DECAL-WARNING INTERNATIONAL	2	International
18		70000775	DECAL 3"VERMEER STRIPE	A/R	P/n Qty. Of 1 = 1 Foot
19		7000B119	DECAL - PATENT INDUSTRIAL	1	
20		700IC022	DECAL - CONTROLS	1	
21		700IA355	DECAL-DRILLING FLUIDSPEED(UND)	1	
			Continued On Next Page		

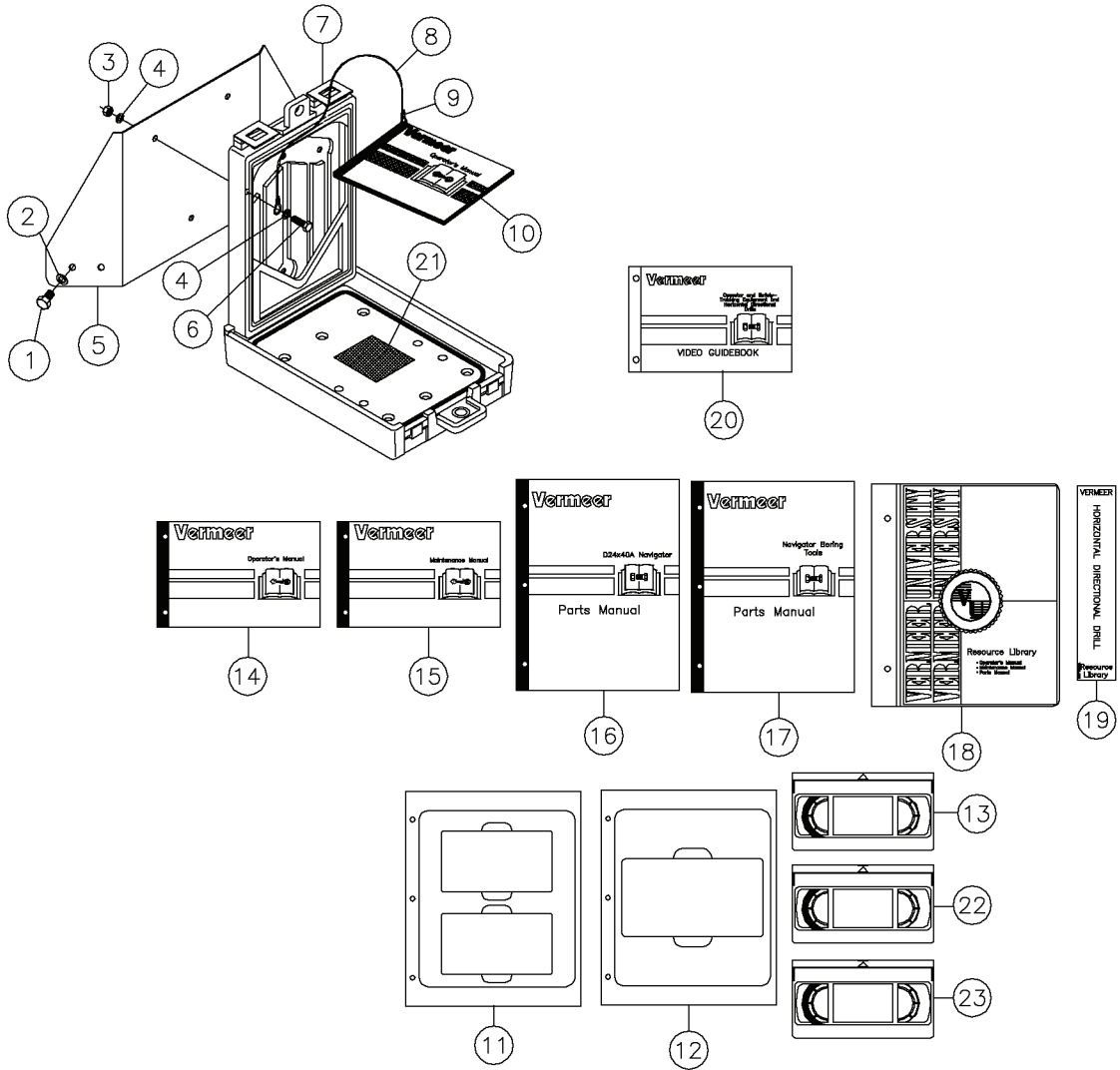
Decal Location (Continued) Fig 1-11



## Decal Location (Continued) Fig 1-11

REF. NO.	*	PART NO.	DESCRIPTION	QTY.	REMARKS
22		7000B812	DECAL - WARNING	1	
		700IB812	DECAL - WARNING	1	International
23		2326595	DECAL VERMEER- 4 1/2 X 24	1	
24		7000B965	DECAL - MODEL NUMBER D18X22	1	
25		70000787	DECAL 12"VERMEER LOGO	1	
26		7000A393	DECAL - DANGER	1	
		700IA393	DECAL - DANGER	1	International
27		7000A394	DECAL - WARNING	1	
		700IA394	DECAL - WARNING	1	International
28		7000B811	DECAL - DANGER - RLE - DOMESTIC	1	
		700IB811	DECAL - DANGER - RLE INTERNATIONAL	1	International
29		700IB964	DECAL - CONTROL PANEL	1	
30		70000044	DECAL-WARNING(AT/UND)	1	
		7000I044	DECAL-WARNING	1	International
31		700IA477	DECAL_BATTERY SWITCH (UG)	1	
32		7000A627	DECAL-DANGER	4	
		700IA627	DECAL-DANGER	4	International
33		70000563	DECAL-WARNING (UND)	2	
		7000I563	DECAL-WARNING (UND)	2	International
34		7000I445	DECAL-LIFT POINT	4	
35		700IA997	DECAL - GEARBOX POSITION	1	
36		7000C073	DECAL-E-STOP	1	
37		7000C072	DECAL-GLOW PLUG	1	
38		2326940	DECAL-NOTICE TO OWNERS	1	

Decal Literature Box Assy Fig 1-12r01

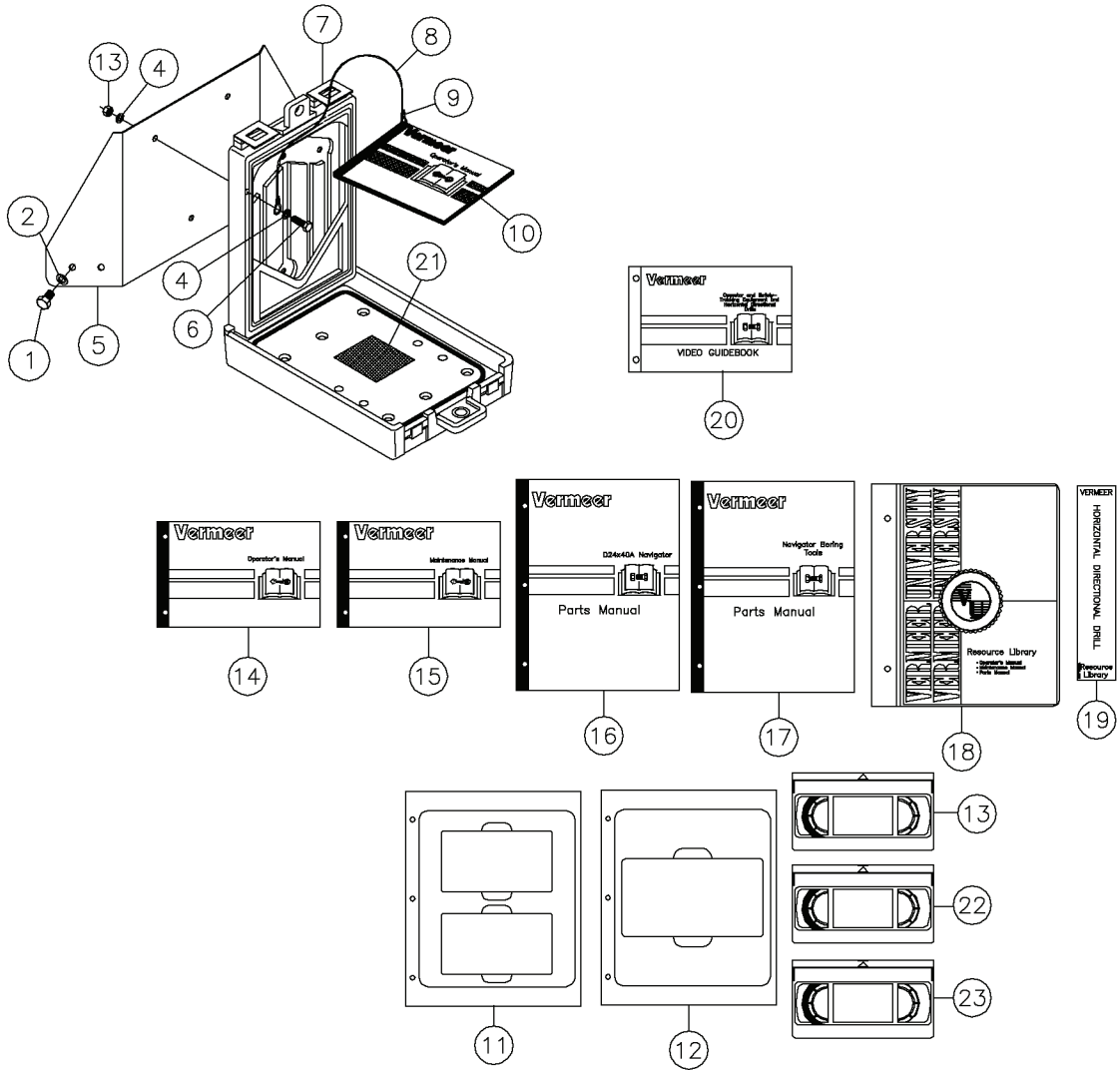




## Decal Literature Box Assy Fig 1-12r01

REF. NO.	*	PART NO.	DESCRIPTION	QTY.	REMARKS
		Revision Date	February, 2004		Update In Illustration & Parts List.
1		235740001	BOLT-5/16-18X1/2 GR8 ZINC PLT	4	
2		235714001	WASHER - FLATSTRL - .31 - .34 X .69 - .06-YZ-A325	4	
3		405001	NUT-1/4 NC FLG WHIZ LOCK	3	
4		235716001	WASHER - FLATSTRL - .25 -.28 X .63 - .06 - CZ	6	
5		235683001	MOUNT-MANUAL BOX	1	
6		235733001	BOLT-1/4-20X1/2 GR8 ZINC PLTD	3	
7		142410001	CASE-6"X9 XCX X1" OPERATOR MANUAL	1	
8		142954001	CABLE-.068DIA.NYLON CT.-36.00	1	
9		142423001	CRIMP-CABLE (FOR.068DIA.CABLE)	2	
10		296270749	D18X22 MANUAL ASSY - CABLED o1.00	1	Inc. 8 And 9
11		151815001	VHS HOLDER DOUBLE	1	
12		144145001	VHS - HOLDER	1	
13		251803001	VIDEO - DRILL ROD OPERATION AND MAINTENANCE	1	
14		105400U95	OM D18X22 (EN) 1.00	1	
15		105400U97	MM D18X22 (EN) 1.00	1	
16		105400ZBX	PM-D18 X 22 (EN) 1ST	1	
17		105400T09	PM - NAVIGATOR BORING TOOLS p4.00	1	
18		144144001	NOTEBOOK BINDER - 2"-3 XCX	1	
19		7000B222	DECAL -HORIZONTAL DRILL - RESOURCE LIB.	1	
20		105400T90	HDD OPERATIONS & SAFETY VIDEO GUIDEBOOK	1	
21		2326940	DECAL-NOTICE TO OWNERS	1	
22		296264888	VIDEO - REMOTE LOCKOUT	1	
23		296264887	VIDEO-OPERATIONS/SAFETY HDD&TRKNG EQUIP	1	

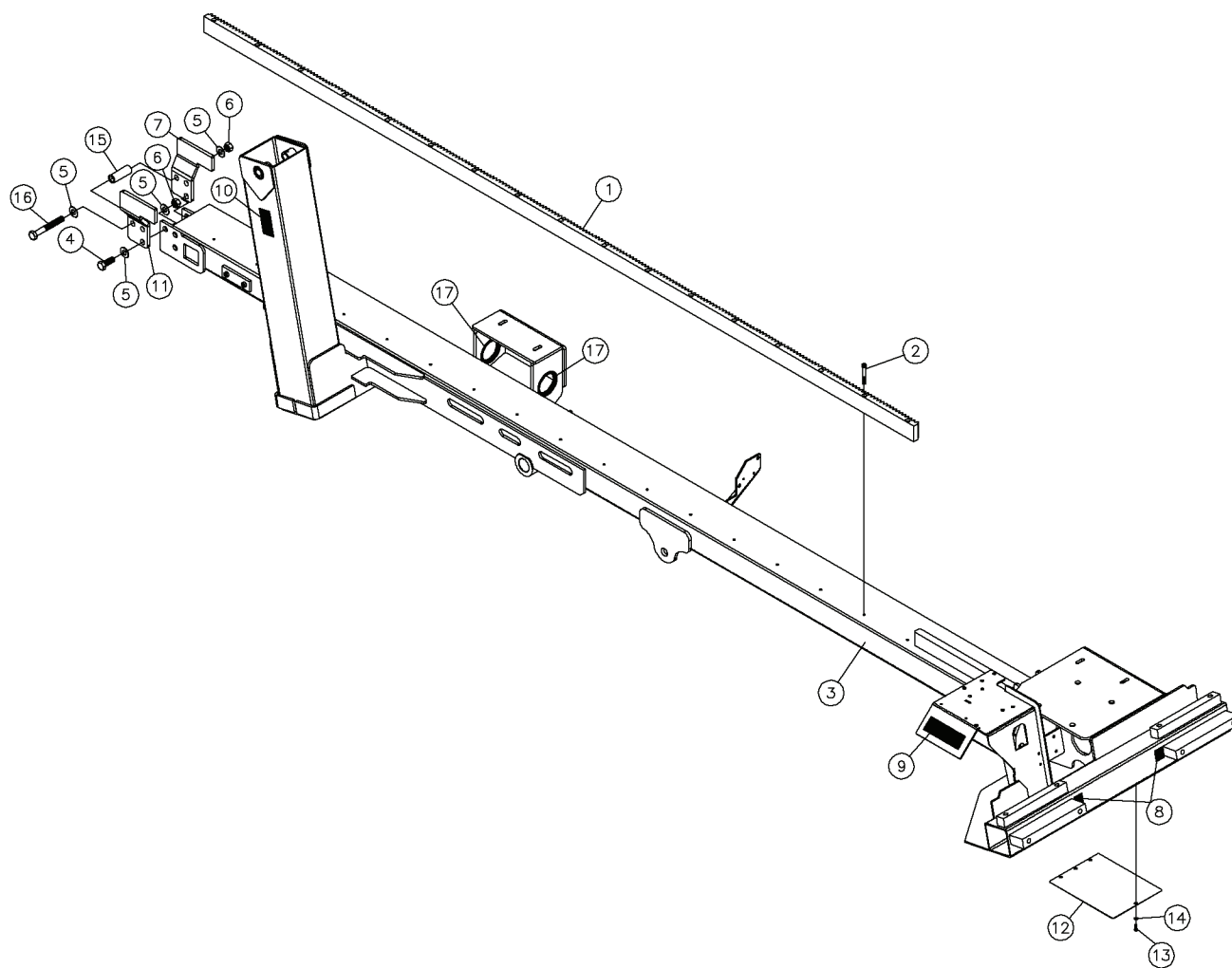
Decal Literature Box Assy Fig 1-12



## Decal Literature Box Assy Fig 1-12

REF. NO.	*	PART NO.	DESCRIPTION	QTY.	REMARKS
1		235740001	BOLT-5/16-18X1/2 GR8 ZINC PLT	4	
2		235714001	WASHER - FLATSTRL - .31 - .34 X .69 - .06-YZ-A325	4	
3		405001	NUT-1/4 NC FLG WHIZ LOCK	3	
4		235716001	WASHER - FLATSTRL - .25 - .28 X .63 - .06 - CZ	6	
5		235683001	MOUNT-MANUAL BOX	1	
6		235733001	BOLT-1/4-20X1/2 GR8 ZINC PLTD	3	
7		142410001	CASE-6"X9 XCX X1" OPERATOR MANUAL	1	
8		142954001	CABLE-.068DIA.NYLON CT.-36.00	1	
9		142423001	CRIMP-CABLE (FOR.068DIA.CABLE)	2	
10		105400U96	OM D18X22 (CABLED) (EN) 1.00	1	Inc. 8 And 9
11		151815001	VHS HOLDER DOUBLE	1	
12		144145001	VHS - HOLDER	1	
13		251803001	VIDEO - DRILL ROD OPERATION AND MAINTENANCE	1	
14		105400U95	OM D18X22 (EN) 1.00	1	
15		105400U97	MM D18X22 (EN) 1.00	1	
16		105400ZBX	PM-D18 X 22 (EN) 1ST	1	
17		105400T09	PM - NAVIGATOR BORING TOOLS p4.00	1	
18		144144001	NOTEBOOK BINDER - 2"-3 XCX	1	
19		7000B222	DECAL -HORIZONTAL DRILL - RESOURCE LIB.	1	
20		105400T90	HDD OPERATIONS & SAFETY VIDEO GUIDEBOOK	1	
21		2326940	DECAL-NOTICE TO OWNERS	1	
22		296264888	VIDEO - REMOTE LOCKOUT	1	
23		296264887	VIDEO-OPERATIONS/SAFETY HDD&TRKNG EQUIP	1	

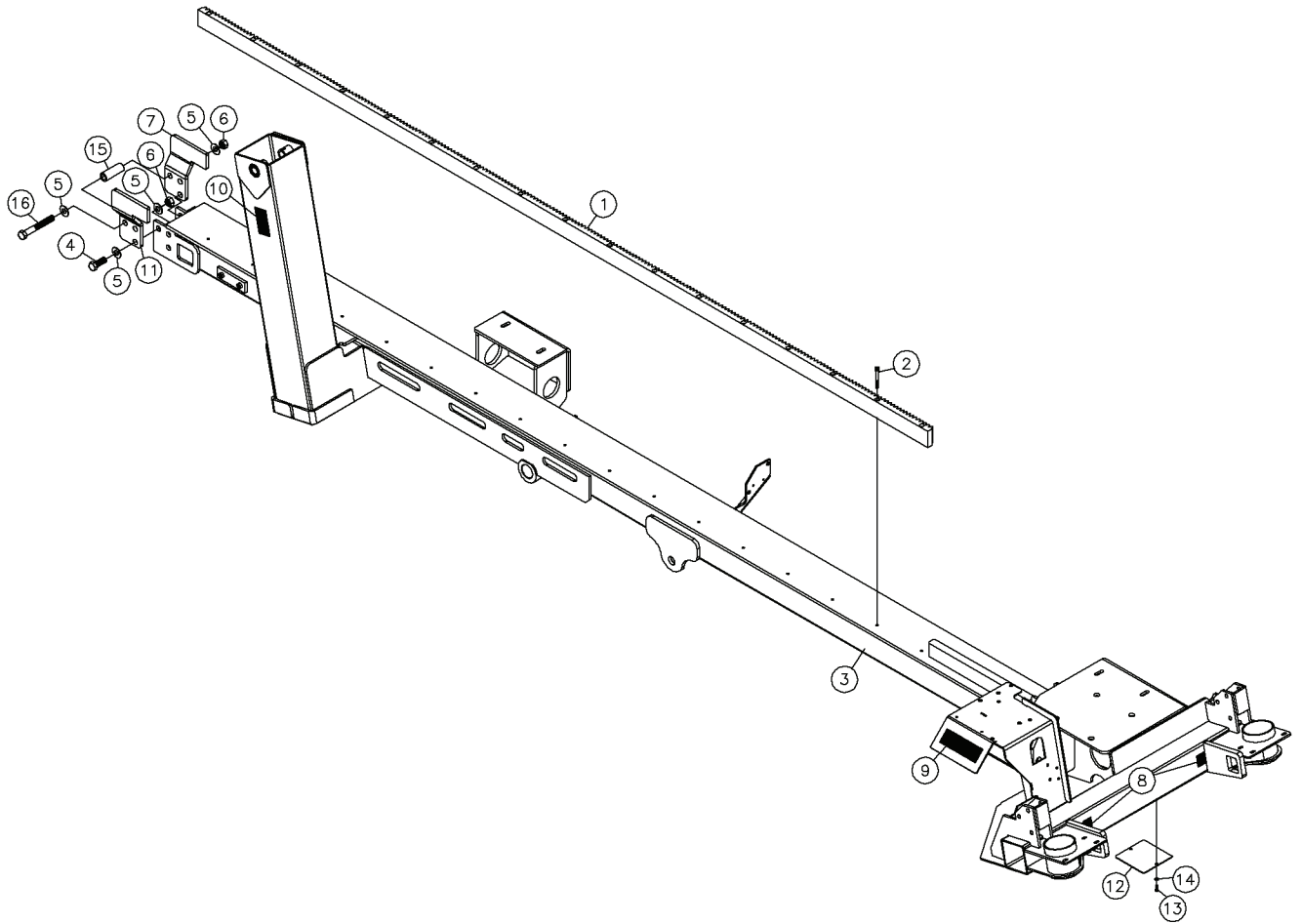
Rack Fig 2-1r03



## Rack Fig 2-1r03

REF. NO.	*	PART NO.	DESCRIPTION	QTY.	REMARKS
		Revision Date	May, 2005		Update In Illustration.
1		288122001	GEAR - RACK	1	
2		4478030	SCREW-3/8-16X3 SOCKET HEAD CAP	17	
3		296279728	RACK - D18X22	1	
4		235746001	BOLT-3/4-10X2 GR8 HEX ZNC PLTD	4	
5		235717001	WASHER-3/4 FLAT HARDENED YELLOW ZINC	10	
6		235739001	NUT-3/4-10 GR8 ZINC PLTD	5	
7		296270778	PLATE - LEFT STOP	1	
8		7000I834	DECAL - TIE DOWN POINT	2	
9		700IB959	DECAL - STAKEDOWN	1	
10		7000B304	DECAL - WARNING	1	
		700IB304	DECAL - WARNING	1	International
11		296270779	PLATE - RIGHT STOP	1	
12		296266664	COVER - ACCESS	1	
13		235742001	BOLT-5/16-18X3/4 GR8 ZINC PLTD	2	
14		235714001	WASHER - FLATSTRL - .31 - .34 X .69 - .06-YZ-A325	2	
15		296273257	TUBE-STOP SPACER	1	
16		385064	SCREW - HCS -3/4-10X6 1/2 GR 8 YZ	1	
17		278774001	SEAL - EDGE 1/2" STYLE	A/R	

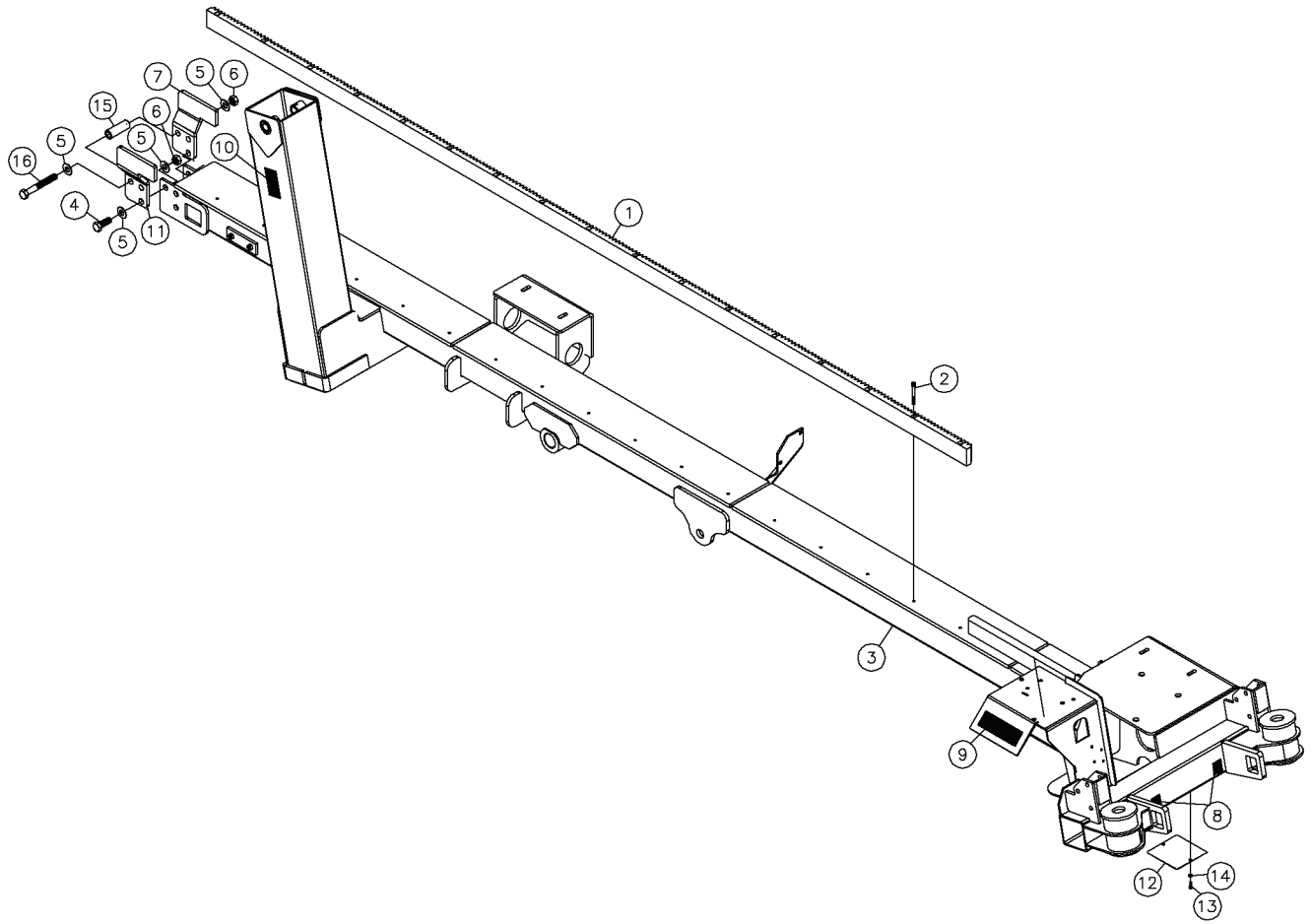
Rack Fig 2-1r02



## Rack Fig 2-1r02

REF. NO.	*	PART NO.	DESCRIPTION	QTY.	REMARKS
		Revision Date	October, 2004		Update In Illustration.
1		288122001	GEAR - RACK	1	
2		4478030	SCREW-3/8-16X3 SOCKET HEAD CAP	17	
3		288181001	RACK - D18X22	1	
4		235746001	BOLT-3/4-10X2 GR8 HEX ZNC PLTD	4	
5		235717001	WASHER-3/4 FLAT HARDENED YELLOW ZINC	10	
6		235739001	NUT-3/4-10 GR8 ZINC PLTD	5	
7		296270778	PLATE - LEFT STOP	1	
8		7000I834	DECAL - TIE DOWN POINT	2	
9		700IB959	DECAL - STAKEDOWN	1	
10		7000B304	DECAL - WARNING	1	
		700IB304	DECAL - WARNING	1	International
11		296270779	PLATE - RIGHT STOP	1	
12		296266664	COVER - ACCESS	1	
13		235742001	BOLT-5/16-18X3/4 GR8 ZINC PLTD	2	
14		235714001	WASHER - FLATSTRL - .31 - .34 X .69 - .06-YZ-A325	2	
15		296273257	TUBE-STOP SPACER	1	
16		385064	SCREW - HCS -3/4-10X6 1/2 GR 8 YZ	1	

Rack Fig 2-1r01

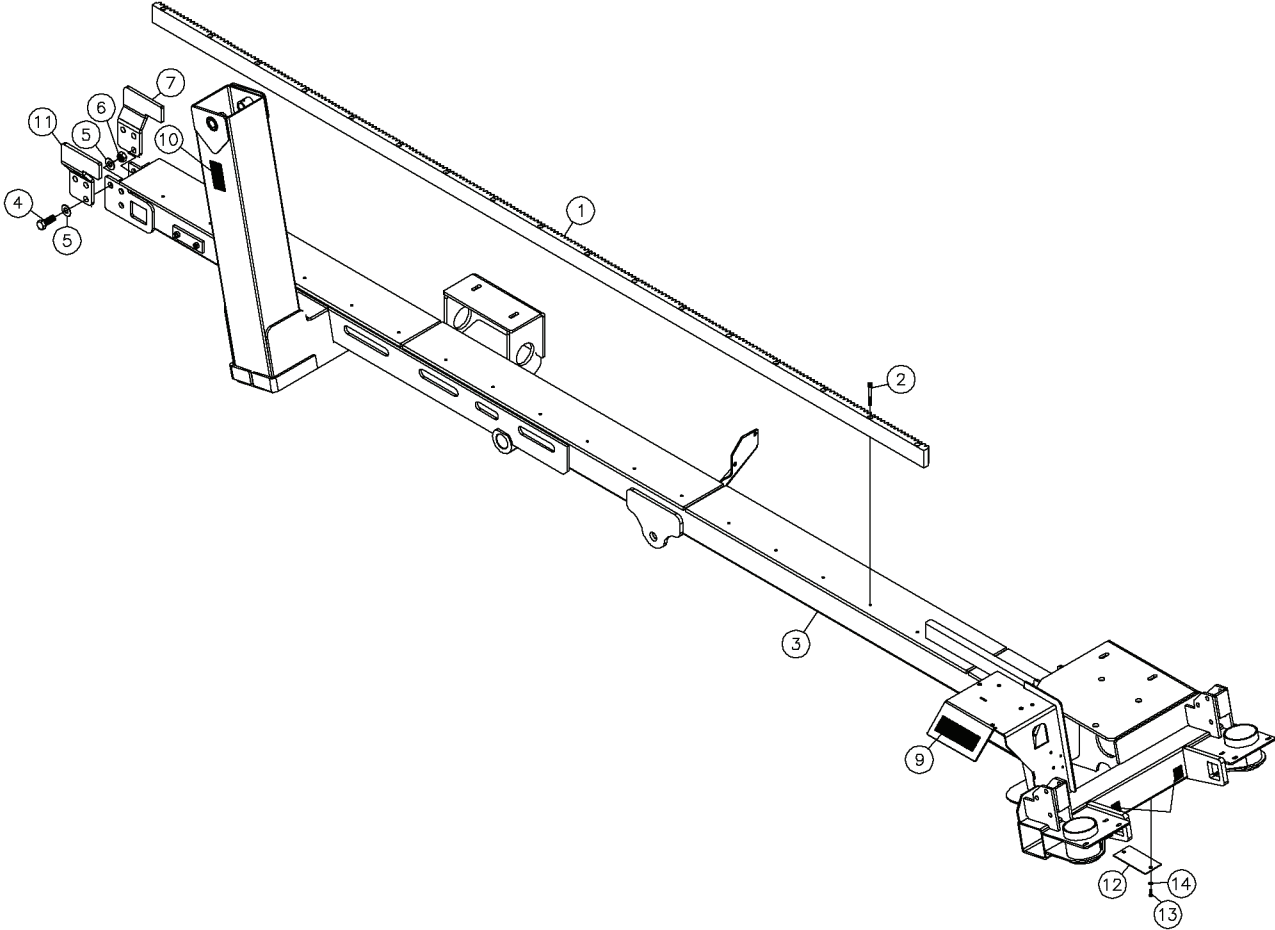




## Rack Fig 2-1r01

REF. NO.	*	PART NO.	DESCRIPTION	QTY.	REMARKS
		Revision Date	February, 2004		Update In Illustration & Parts List.
1		288122001	GEAR - RACK	1	
2		4478030	SCREW-3/8-16X3 SOCKET HEAD CAP	17	
3		288181001	RACK - D18X22	1	
4		235746001	BOLT-3/4-10X2 GR8 HEX ZNC PLTD	4	
5		235717001	WASHER-3/4 FLAT HARDENED YELLOW ZINC	10	
6		235739001	NUT-3/4-10 GR8 ZINC PLTD	5	
7		296270778	PLATE - LEFT STOP	1	
8		7000I834	DECAL - TIE DOWN POINT	2	
9		700IB959	DECAL - STAKEDOWN	1	
10		7000B304	DECAL - WARNING	1	
		700IB304	DECAL - WARNING	1	International
11		296270779	PLATE - RIGHT STOP	1	
12		296266664	COVER - ACCESS	1	
13		235742001	BOLT-5/16-18X3/4 GR8 ZINC PLTD	2	
14		235714001	WASHER - FLATSTRL - .31 - .34 X .69 - .06-YZ-A325	2	
15		296273257	TUBE-STOP SPACER	1	
16		385064	SCREW - HCS -3/4-10X6 1/2 GR 8 YZ	1	

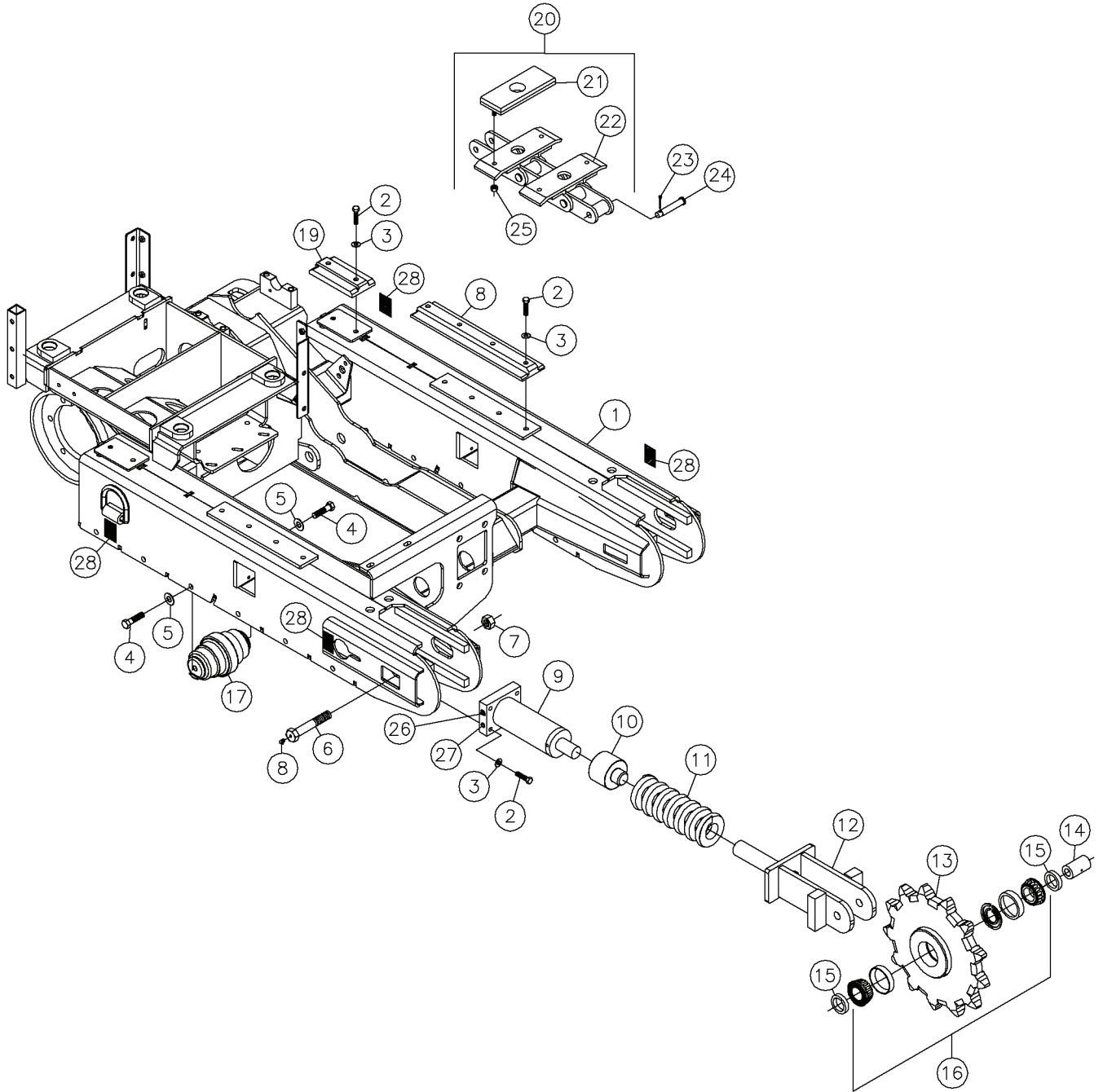
Rack Fig 2-1



Rack Fig 2-1

REF. NO.	*	PART NO.	DESCRIPTION	QTY.	REMARKS
1		288122001	GEAR - RACK	1	
2		4478030	SCREW-3/8-16X3 SOCKET HEAD CAP	17	
3		288181001	RACK - D18X22	1	
4		235746001	BOLT-3/4-10X2 GR8 HEX ZNC PLTD	6	
5		235717001	WASHER-3/4 FLAT HARDENED YELLOW ZINC	12	
6		235739001	NUT-3/4-10 GR8 ZINC PLTD	6	
7		296270778	PLATE - LEFT STOP	1	
8		7000I834	DECAL - TIE DOWN POINT	2	
9		700IB959	DECAL - STAKEDOWN	1	
10		7000B304	DECAL - WARNING	1	
		700IB304	DECAL - WARNING	1	International
11		296270779	PLATE - RIGHT STOP	1	
12		296270809	COVER - ACCESS	1	
13		235742001	BOLT-5/16-18X3/4 GR8 ZINC PLTD	2	
14		235714001	WASHER - FLATSTRL - .31 - .34 X .69 - .06-YZ-A325	2	

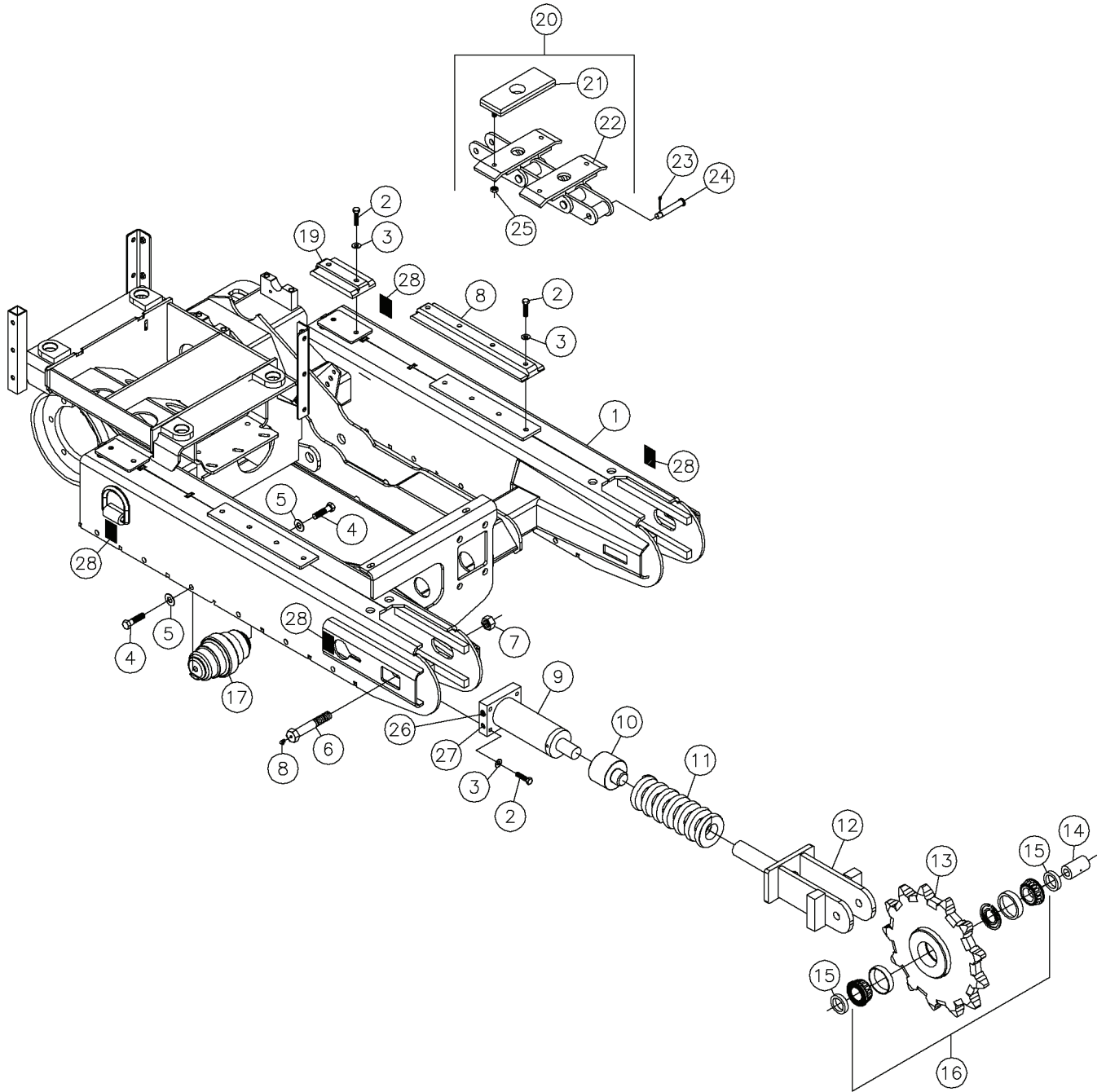
Undercarriage/Track Fig 2-2r01



## Undercarriage/Track Fig 2-2r01

REF. NO.	*	PART NO.	DESCRIPTION	QTY.	REMARKS
		Revision Date	July, 2004		Update In Parts List.
1		296257422	WELDMENT - MAIN UNDERCARRIAGE	1	
2		235723001	SCREW - HCS -.38 - 16 X 1.50 - GR8 - YZ	20	
3		235713001	WASHER - FLATSTRL - .38 - .41 X .81 - .06-YA-A325	20	
4		508477030	SCREW-HCS,M14-2.00X30,10.9,YZ,ISO4017,FT	24	
5		508486014	WASHER-FLAT, HARDENED, M14, YZ, DIN6916	24	
6		240329001	BOLT-TRACK IDLER 26184	2	
7		397001	NUT-3/4-10 GR 8 SLTL	2	
8		598001	FITTING-1/4" NF ST GREASE ZERK	2	
9		251097001	CYLINDER - 2.50 X 4.50 GREASE	2	Inc Ref 26 & 27
		251097009	PISTON ROD (INCL. PISTON)	2	
		251097015	SEAL KIT	2	
10		296269281	CAP-ROD	2	
11		289057001	SPRING - 3 5/16OD X 8 1/4H X 27/32 W	2	
12		296266515	WELDMENT - FRONT IDLER	2	
13		296261330	SPROCKET - 10 TOOTH IDLER	2	
14		240327001	TUBE-BEARING IDLER	2	
15		240328001	TUBE-BEARING SPACER	4	
16		217234001	BEARING SET-1 3/8" ROLLER	2	
17		296266663	ROLLER - LOWER	12	
18		275034001	BAR - TRACK SLIDE	2	
19		275035001	BAR - TRACK WEAR	2	
20		296257240	TRACK - STEEL W/RUBBER PADS	2	Inc. Items 21, 22, & 25
21		289066001	PAD - RUBBER TRACK	56	
22		296266591	TRACK - STEEL	2	
23		510047	PIN - 3/16 X 1 1/4 COTTER	2	
24		289143001	PIN - TRACK	2	
25		250508001	NUT - 3/8-NC Gr8 TOP LOCK Y/ZINC	112	
26		586001	ZERK-1/8" ST NPT GREASE	2	
27		251097013	CHECK VALVE	2	
28		70001834	DECAL - TIE DOWN POINT	4	

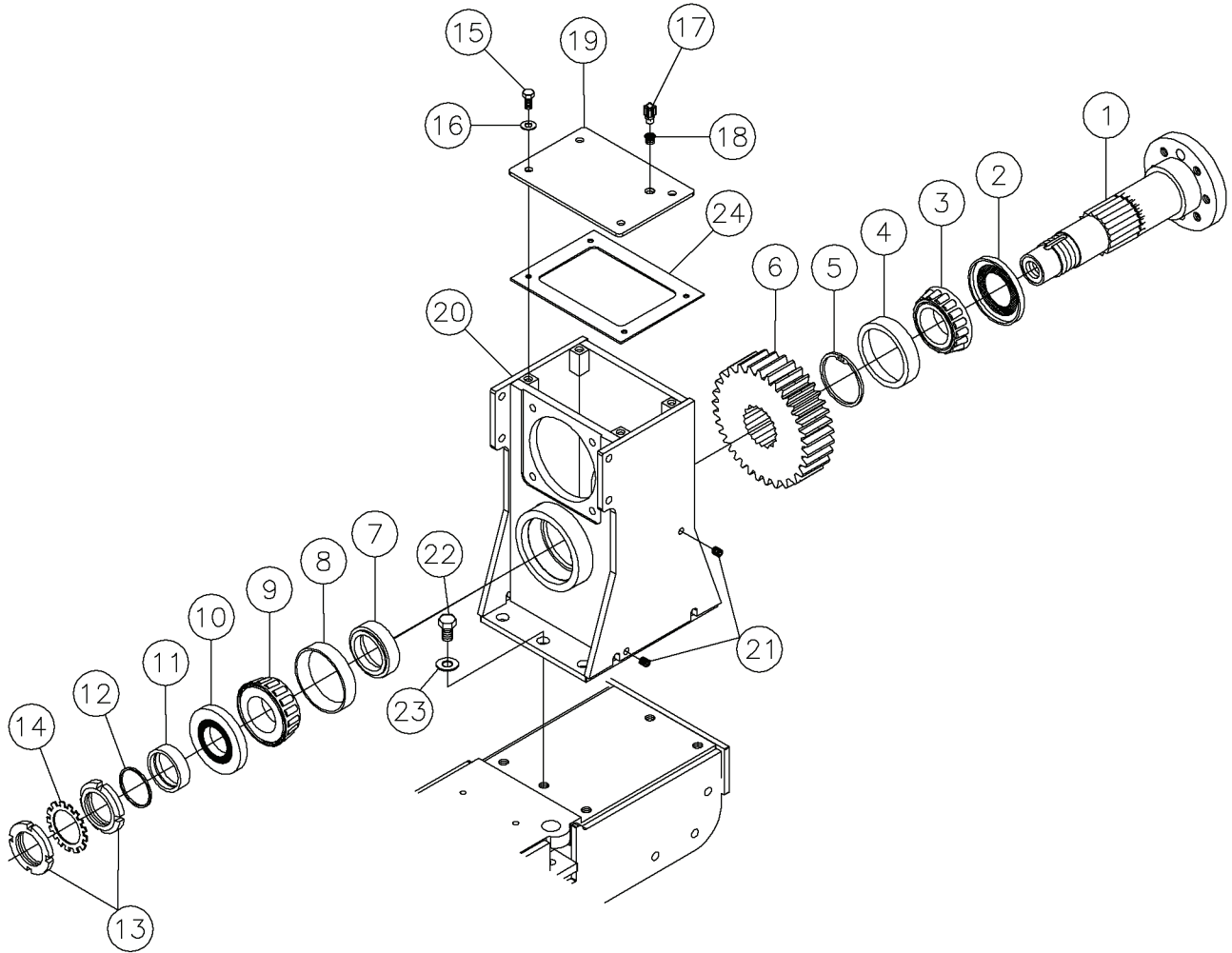
Undercarriage/Track Fig 2-2



## Undercarriage/Track Fig 2-2

REF. NO.	*	PART NO.	DESCRIPTION	QTY.	REMARKS
1		296257422	WELDMENT - MAIN UNDERCARRIAGE	1	
2		235723001	SCREW - HCS -.38 - 16 X 1.50 - GR8 - YZ	20	
3		235713001	WASHER - FLATSTRL - .38 - .41 X .81 - .06-YA-A325	20	
4		508477030	SCREW-HCS,M14-2.00X30,10.9,YZ,ISO4017,FT	24	
5		508486014	WASHER-FLAT, HARDENED, M14, YZ, DIN6916	24	
6		240329001	BOLT-TRACK IDLER 26184	2	
7		397001	NUT-3/4-10 GR 8 SLTL	2	
8		598001	FITTING-1/4" NF ST GREASE ZERK	2	
9		251097001	CYLINDER - 2.50 X 4.50 GREASE	2	Inc Ref 26 & 27
		251097009	PISTON ROD (INCL. PISTON)	2	
		251097015	SEAL KIT	2	
10		296269281	CAP-ROD	2	
11		289057001	SPRING - 3 5/16OD X 8 1/4H X 27/32 W	2	
12		296266515	WELDMENT - FRONT IDLER	2	
13		296261330	SPROCKET - 10 TOOTH IDLER	2	
14		240327001	TUBE-BEARING IDLER	2	
15		240328001	TUBE-BEARING SPACER	4	
16		217234001	BEARING SET-1 3/8" ROLLER	2	
17		296266663	ROLLER - LOWER	12	
18		275034001	BAR - TRACK SLIDE	2	
19		275035001	BAR - TRACK WEAR	2	
20		296257240	TRACK - STEEL W/RUBBER PADS	2	Inc. Items 21, 22, & 25
21		289066001	PAD - RUBBER TRACK	56	
22		296266591	TRACK - STEEL	2	
23		510047	PIN - 3/16 X 1 1/4 COTTER REF T16726	2	
24		289143001	PIN - TRACK	2	
25		250508001	NUT - 3/8-NC Gr8 TOP LOCK Y/ZINC	112	
26		586001	ZERK-1/8" ST NPT GREASE	2	
27		251097013	CHECK VALVE	2	
28		70001834	DECAL - TIE DOWN POINT	4	

Rotation Gearbox Fig 2-3r01

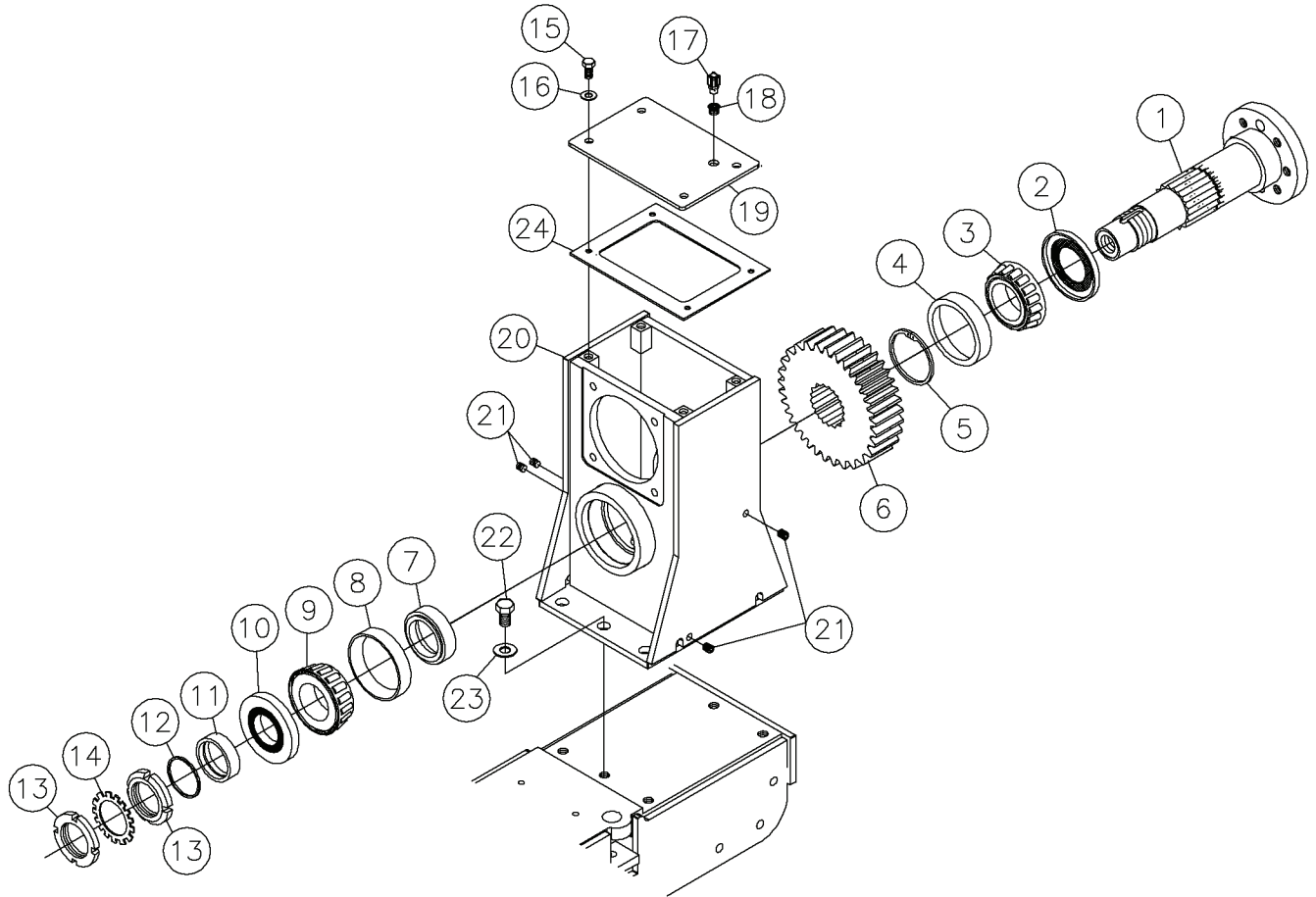




## Rotation Gearbox Fig 2-3r01

REF. NO.	*	PART NO.	DESCRIPTION	QTY.	REMARKS
		Revision Date	March, 2008		Change Qty. To Two
1		296269260	SHAFT ROTATION	1	
2		240266001	SEAL-4.501ODX3.125IDX.438 WIDE	1	
3		4771061	BRG. CONE 3994	1	
4		1715013	TIMKEN CUP-2 1/2" #3920	1	
5		224896250	SNAP RING-2 1/2" EXTERNAL	1	
6		235609001	GEAR 55 TOOTH	1	
7		235627001	TUBE-GEAR SPACER	1	
8		1715001	TIMKEN CUP-2 1/4" #382A	1	
9		1716097	CONE-2 1/8" BRG.	1	
10		214201001	SEAL-#25100	1	
11		229433001	SLEEVE-SEAL	1	
12		214202001	O-RING #138	1	
13		214200001	LOCKNUT-SLOTTED 2"-18 NF	2	
14		94594007	LOCKWASHER-2.844DIA.OVER TANGS	1	
15		235727001	BOLT-3/8-16X1 GR8 HEX ZINC PLT	4	
16		235713001	WASHER - FLATSTRL - .38 - .41 X .81 - .06-YA-A325	4	
17		599001	BREATHER VENT-1/8 NPT 131000	1	
18		730037	PIPE BUSHING-3/8 X 1/8 STEEL	1	
19		288175001	COVER - GEARBOX TOP	1	
20		288189001	GEARBOX - MACHINED	1	
21	*	287503001	PLUG - 3/8" PIPE HOLLOW HEX	2	
22		235730001	BOLT-5/8-11X1 1/4 GR8 ZINC PLT	6	
23		235715001	WASHER-5/8 SAE HARD ZINC PLTD	6	
24		288183001	GASKET - GEARBOX	1	

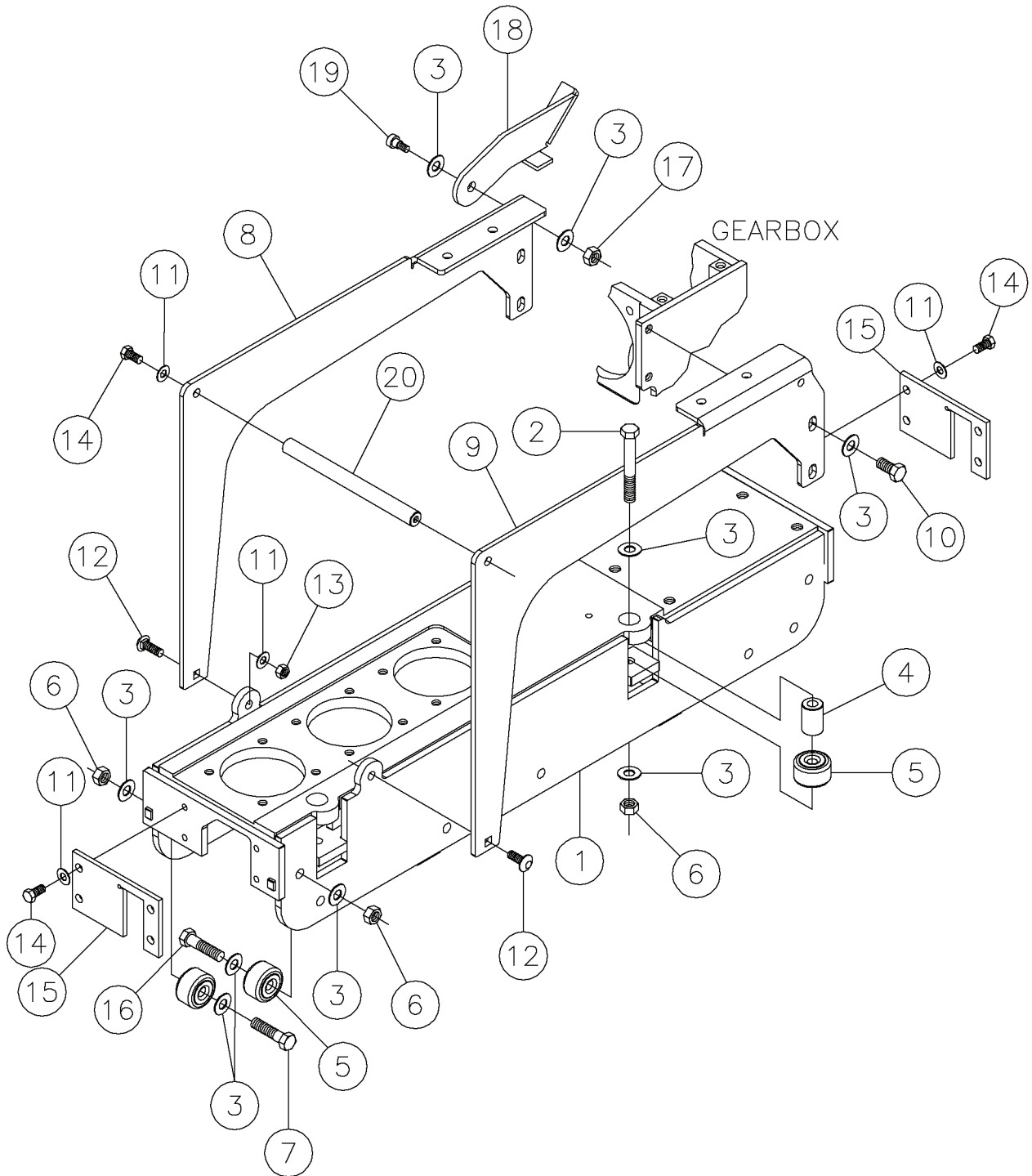
Rotation Gearbox Fig 2-3



## Rotation Gearbox Fig 2-3

REF. NO.	*	PART NO.	DESCRIPTION	QTY.	REMARKS
1		296269260	SHAFT ROTATION	1	
2		240266001	SEAL-4.501ODX3.125IDX.438 WIDE	1	
3		4771061	BRG. CONE 3994	1	
4		1715013	TIMKEN CUP-2 1/2" #3920	1	
5		224896250	SNAP RING-2 1/2" EXTERNAL	1	
6		235609001	GEAR 55 TOOTH	1	
7		235627001	TUBE-GEAR SPACER	1	
8		1715001	TIMKEN CUP-2 1/4" #382A	1	
9		1716097	CONE-2 1/8" BRG.	1	
10		214201001	SEAL-#25100	1	
11		229433001	SLEEVE-SEAL	1	
12		214202001	O-RING #138	1	
13		214200001	LOCKNUT-SLOTTED 2"-18 NF	2	
14		94594007	LOCKWASHER-2.844DIA.OVER TANGS	1	
15		235727001	BOLT-3/8-16X1 GR8 HEX ZINC PLT	4	
16		235713001	WASHER - FLATSTRL - .38 - .41 X .81 - .06-YA-A325	4	
17		599001	BREATHER VENT-1/8 NPT 131000	1	
18		730037	PIPE BUSHING-3/8 X 1/8 STEEL	1	
19		288175001	COVER - GEARBOX TOP	1	
20		288189001	GEARBOX - MACHINED	1	
21		287503001	PLUG - 3/8" PIPE HOLLOW HEX	4	
22		235730001	BOLT-5/8-11X1 1/4 GR8 ZINC PLT	6	
23		235715001	WASHER-5/8 SAE HARD ZINC PLTD	6	
24		288183001	GASKET - GEARBOX	1	

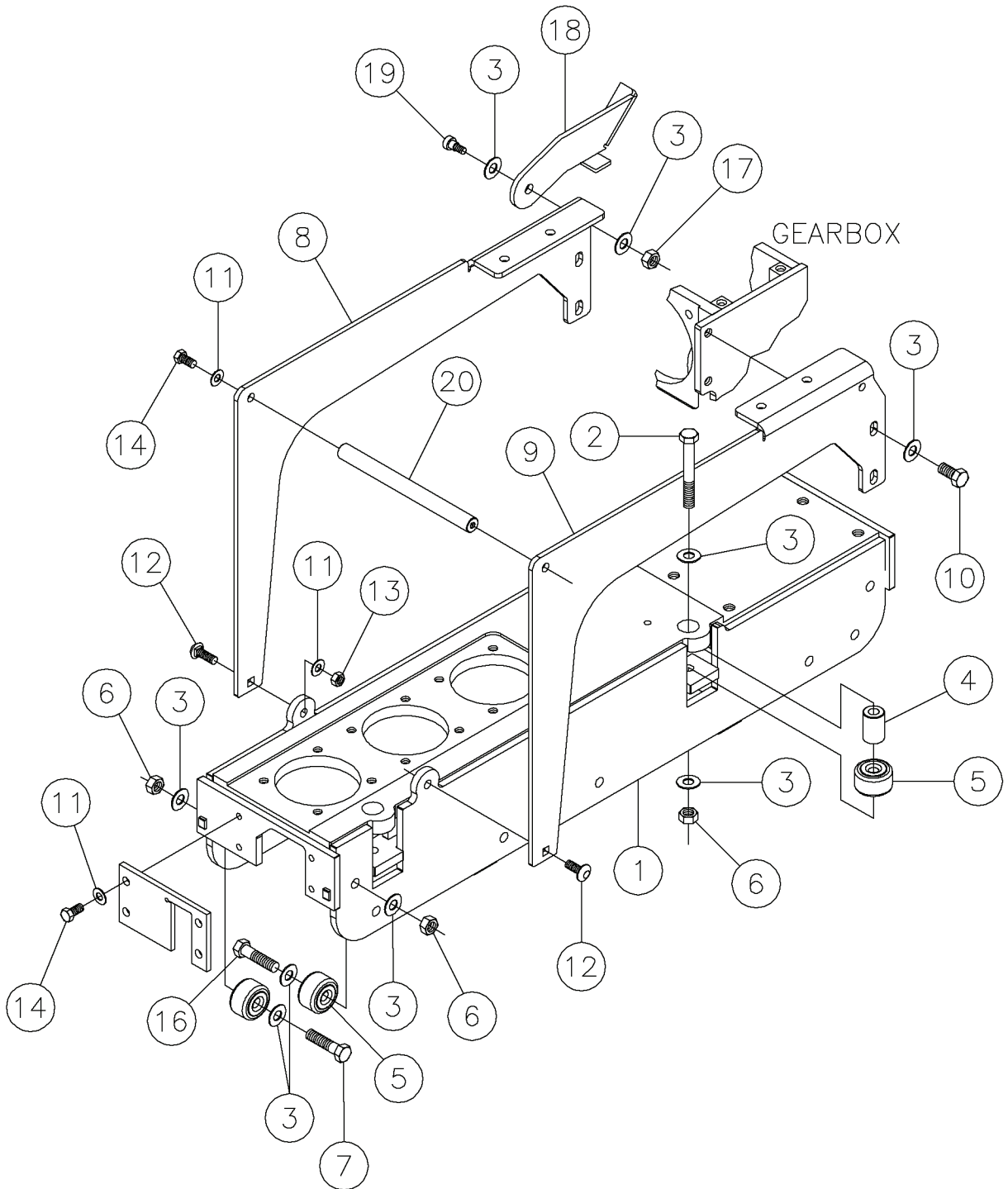
Carriage Fig 2-4r02



## Carriage Fig 2-4r02

REF. NO.	*	PART NO.	DESCRIPTION	QTY.	REMARKS
		Revision Date	May, 2005		Update In Illustration & Parts List.
1		288216001	CARRIAGE - MOTOR	1	
2		238241001	BOLT 1/2"-13X 3 1/2" GR8 HEX	2	
3		485025	WASHER-1/2 FLAT-HARDENED-YZ	21	
4		288199001	BUSHING - CARRIAGE ROLLER	2	
5		296257282	BEARING - 1.75" OD ROLLER	10	
6		250512001	NUT- 1/2 NC Gr8 TOP LOCK Y/ ZINC	10	
7		235718001	BOLT-1/2-13X2 GR8 HEX ZINC PLT	6	
8		296275383	SUPPORT - LH HOSE TRACK	1	
9		296275382	SUPPORT - RH HOSE TRACK	1	
10		235729001	SCREW-HCS-.50-13X1.00-GR8-YZ	4	
11		235713001	WASHER - FLATSTRL - .38 - .41 X .81 - .06-YA-A325	16	
12		375010	BOLT-3/8"-16X1"GD#5 CARRIAGE	2	
13		129683001	NUT-3/8UNC CENTER LOCK HEX	2	
14		235726001	BOLT-3/8-16X3/4 GR8 HEX ZNCPLT	10	
15		288182001	COVER - RACK GEAR	2	
16		296266694	BOLT - 1/2 - 13X2 GR8 MILLED HEAD	2	
17		250508001	NUT - 3/8-NC Gr8 TOP LOCK Y/ZINC	1	
18		296270767	CATCH - ROD INDICATOR	1	
19		296256038	SCREW - SHSS - .50X.38-.38-16 THD-CZ	1	
20		296275384	SPACER - HOSE TRACK FRAME	1	

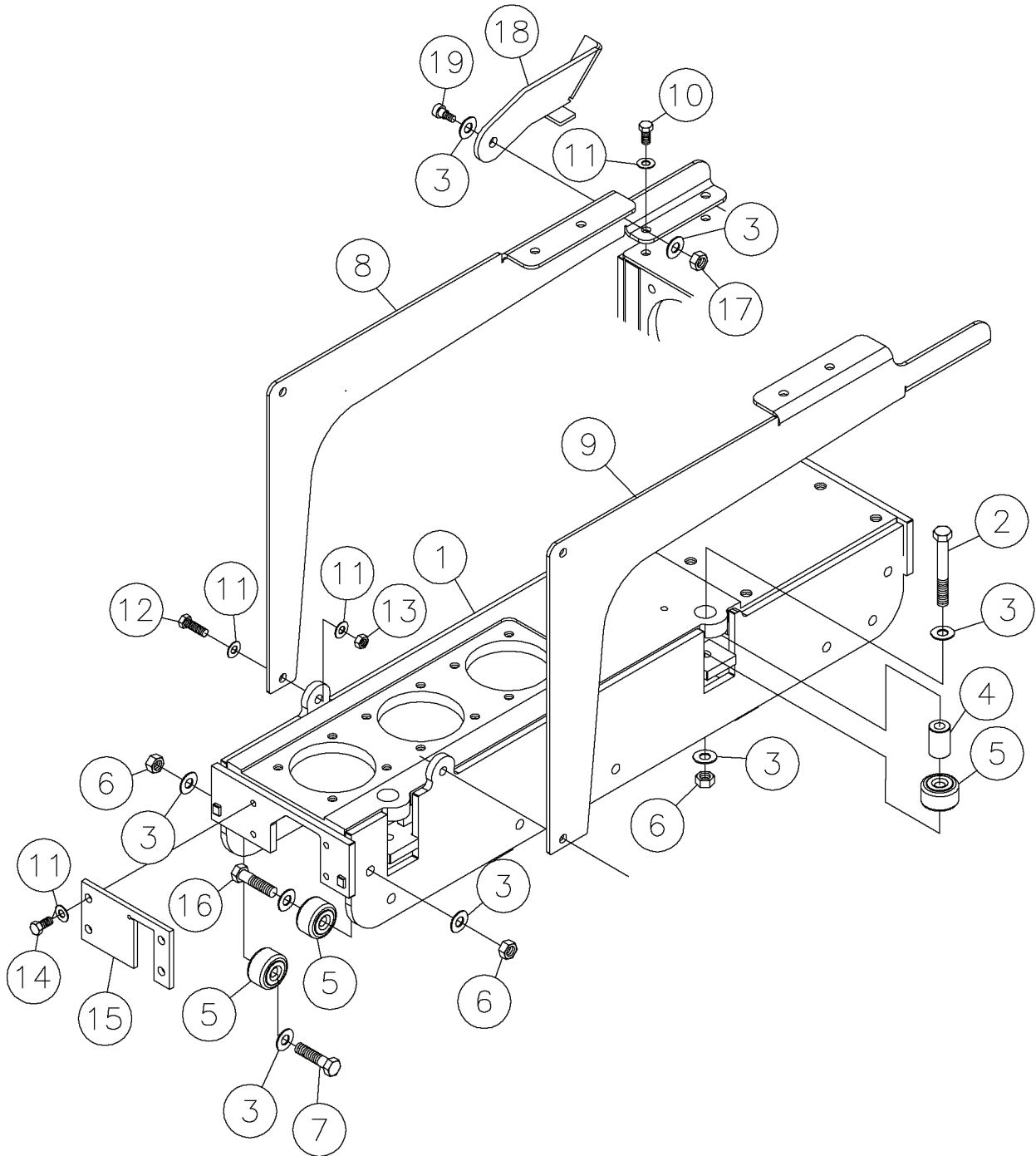
Carriage Fig 2-4r01



## Carriage Fig 2-4r01

REF. NO.	*	PART NO.	DESCRIPTION	QTY.	REMARKS
		Revision Date	October, 2004		Update In Illustration & Parts List.
1		288216001	CARRIAGE - MOTOR	1	
2		238241001	BOLT 1/2"-13X 3 1/2" GR8 HEX	2	
3		485025	WASHER-1/2 FLAT-HARDENED-YZ	21	
4		288199001	BUSHING - CARRIAGE ROLLER	2	
5		296257282	BEARING - 1.75" OD ROLLER	10	
6		250512001	NUT- 1/2 NC Gr8 TOP LOCK Y/ ZINC	10	
7		235718001	BOLT-1/2-13X2 GR8 HEX ZINC PLT	6	
8		296275383	SUPPORT - LH HOSE TRACK	1	
9		296275382	SUPPORT - RH HOSE TRACK	1	
10		235729001	SCREW-HCS-.50-13X1.00-GR8-YZ	4	
11		235713001	WASHER - FLATSTRL - .38 - .41 X .81 - .06-YA-A325	12	
12		375010	BOLT-3/8"-16X1"GD#5 CARRIAGE	2	
13		129683001	NUT-3/8UNC CENTER LOCK HEX	2	
14		235726001	BOLT-3/8-16X3/4 GR8 HEX ZNCPLT	6	
15		288182001	COVER - RACK GEAR	1	
16		296266694	BOLT - 1/2 - 13X2 GR8 MILLED HEAD	2	
17		250508001	NUT - 3/8-NC Gr8 TOP LOCK Y/ZINC	1	
18		296270767	CATCH - ROD INDICATOR	1	
19		296256038	SCREW - SHSS - .50X.38-.38-16 THD-CZ	1	

Carriage Fig 2-4

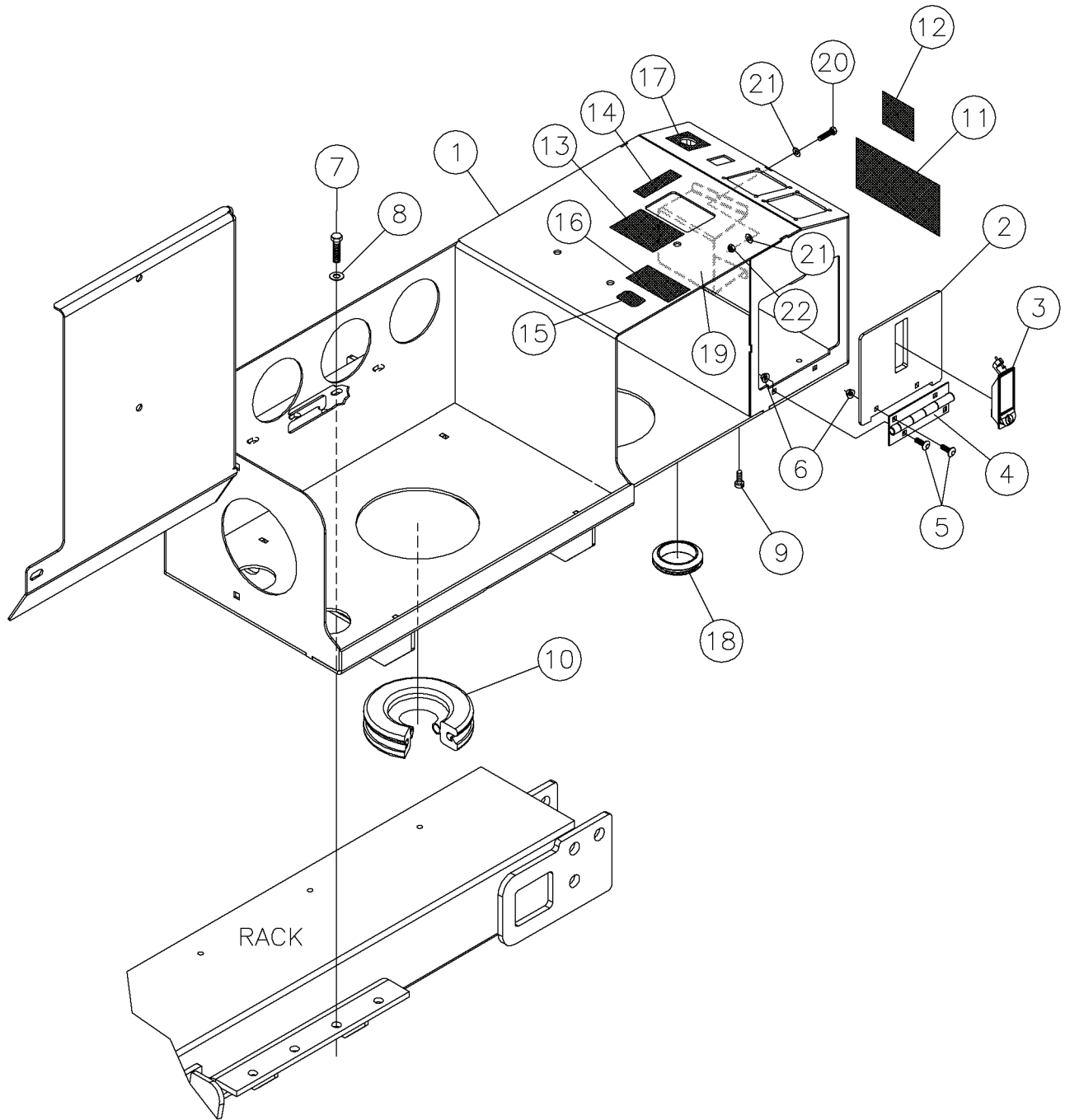




## Carriage Fig 2-4

REF. NO.	*	PART NO.	DESCRIPTION	QTY.	REMARKS
1		288216001	CARRIAGE - MOTOR	1	
2		238241001	BOLT 1/2"-13X 3 1/2" GR8 HEX	2	
3		485025	WASHER-1/2 FLAT-HARDENED-ZINC	17	
4		288199001	BUSHING - CARRIAGE ROLLER	2	
5		296257282	BEARING - 1.75" OD ROLLER	10	
6		250512001	NUT- 1/2 NC Gr8 TOP LOCK Y/ ZINC	10	
7		235718001	BOLT-1/2-13X2 GR8 HEX ZINC PLT	6	
8		296264506	PLATE - LEFT HOSE TRACK	1	
9		296264508	PALTE - RIGHT HOSE TRACK	1	
10		235727001	BOLT-3/8-16X1 GR8 HEX ZINC PLT	4	
11		235713001	WASHER - FLATSTRL - .38 - .41 X .81 - .06-YA-A325	12	
12		235736001	BOLT-3/8-16X1 1/4 ZINC PLTD	2	
13		235725001	NUT - HEX - .38 - 16 - GR8 - YZ	2	
14		235726001	BOLT-3/8-16X3/4 GR8 HEX ZNCPLT	4	
15		288182001	COVER - RACK GEAR	1	
16		296266694	BOLT - 1/2 - 13X2 GR8 MILLED HEAD	2	
17		250508001	NUT - 3/8-NC Gr8 TOP LOCK Y/ZINC	1	
18		296270767	CATCH - ROD INDICATOR	1	
19		296256038	SCREW - SHSS - .50X.38-.38-16 THD-CZ	1	

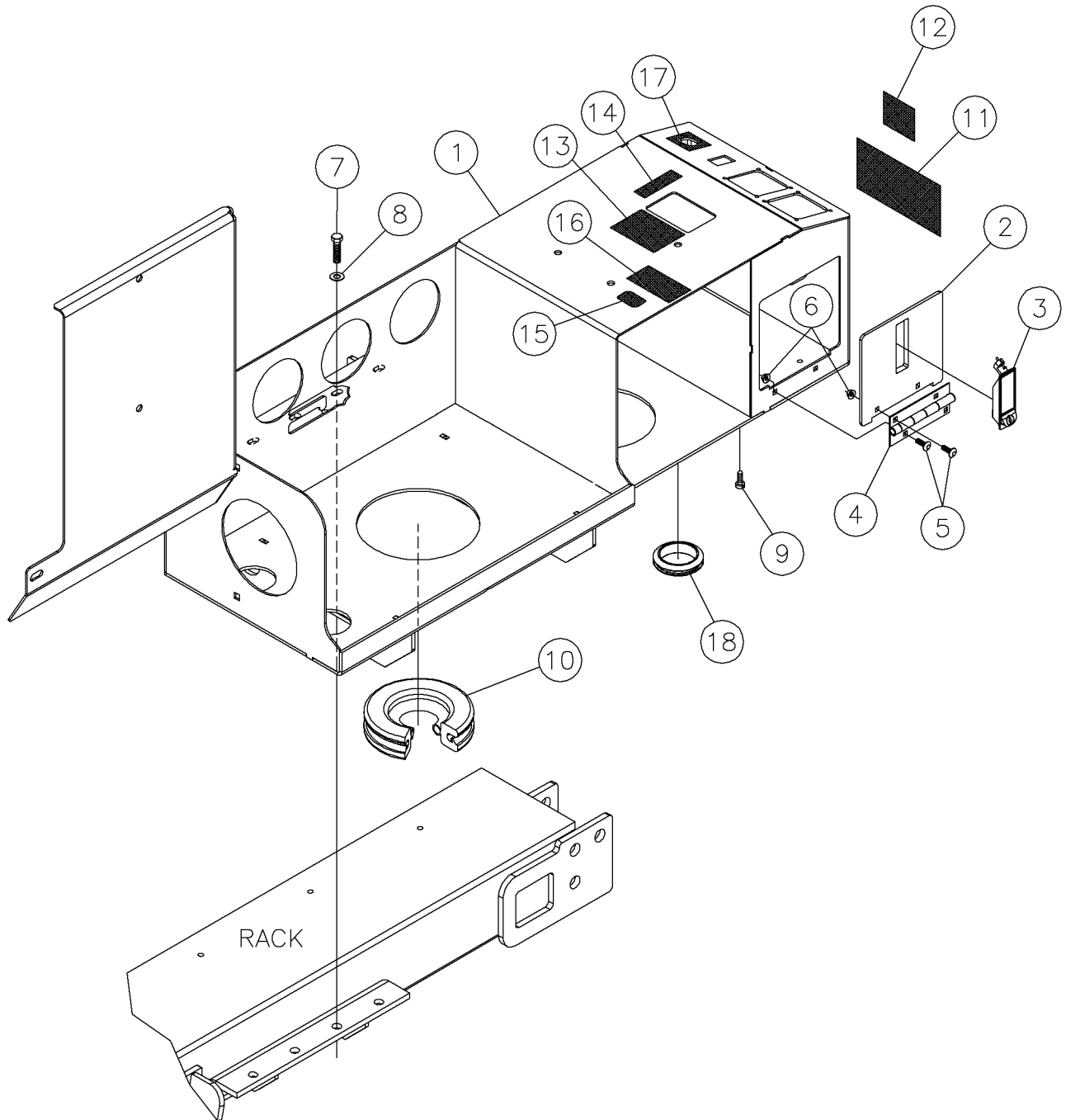
Rear Control Station Fig 2-5r03



## Rear Control Station Fig 2-5r03

REF. NO.	*	PART NO.	DESCRIPTION	QTY.	REMARKS
		Revision Date	May, 2005		Update In Illustration & Parts List.
1		296269011	HOUSING - REAR CONTROL STATION	1	
2		296270755	DOOR - REMOTE LOCKOUT	1	
3		218080001	LATCH-ADJ.LEVER W/RAISED BUTTN(INC KEYS)	1	
4		251524001	HINGE - DOOR	1	
5		373005	BOLT-1/4-20X5/8 GR5 CARRIAGE	4	
6		1809005	NUT-1/4 SM FLGE T.L.	4	
7		235723001	SCREW - HCS - .38 - 16 X 1.50 - GR8 - YZ	4	
8		235713001	WASHER - FLATSTRL - .38 - .41 X .81 - .06-YA-A325	4	
9		278953001	ANCHOR - CABLE TIE	1	
10		219104001	SEAL-BULB EDGE 3/16" STYLE	A/R	Part Qty Of 1 = 1 Foot
11		7000A576	DECAL-DANGER	1	
		700IA576	DECAL-DANGER	1	International
12		700IB055	DECAL - TRACK DRIVE	1	
13		700IB961	DECAL - RACK LIFT / OUTRIGGER	1	
14		700IC035	DECAL-THROTTLE	1	
15		70000098	DECAL-DIESEL (AT/UND)	1	
		7000I098	DECAL-DIESEL FUEL	1	International
16		2326324	DECAL-WARNING/REFUEL	1	
		2326I324	DECAL-WARNING	1	International
17		7000C073	DECAL-E-STOP	1	
18		1865001	GROMMET - 1/4 X 2 1/2 (YELLOW)	1	
19		296280310	PLATE - REMOTE LOCKOUT HOLDER	1	
20		235735001	BOLT-1/4-20X1 GR8 HEX ZNC PLTD	2	
21		235716001	WASHER - FLATSTRL - .25 -.28 X .63 - .06 - CZ	4	
22		1809005	NUT-1/4 SM FLGE T.L.	2	

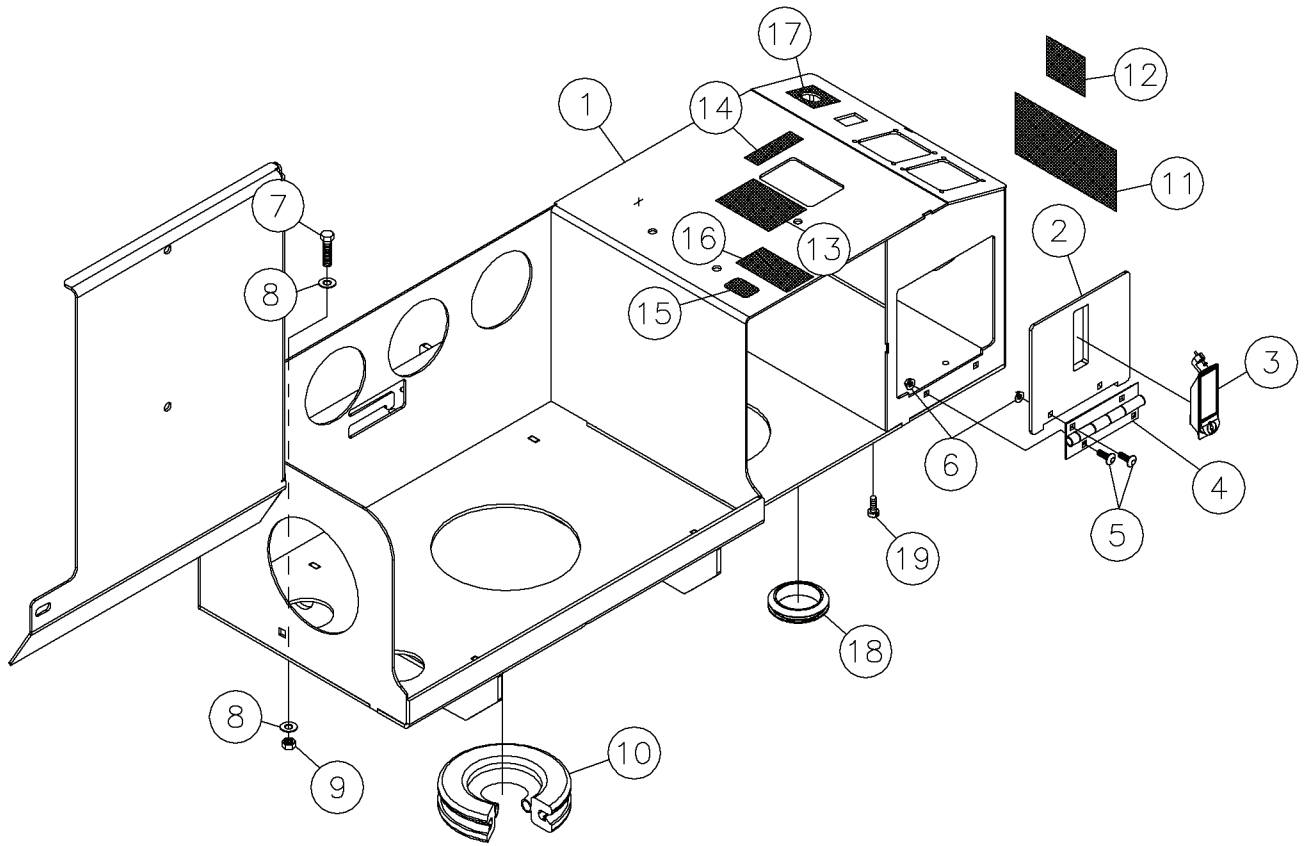
Rear Control Station Fig 2-5r02



## Rear Control Station Fig 2-5r02

REF. NO.	*	PART NO.	DESCRIPTION	QTY.	REMARKS
		Revision Date	July, 2004		Update In Illustration & Parts List.
1		296269011	HOUSING - REAR CONTROL STATION	1	
2		296270755	DOOR - REMOTE LOCKOUT	1	
3		218080001	LATCH-ADJ.LEVER W/RAISED BUTTN(INC KEYS)	1	
4		251524001	HINGE - DOOR	1	
5		373005	BOLT-1/4-20X5/8 GR5 CARRIAGE	4	
6		1809005	NUT-1/4 SM FLGE T.L.	4	
7		235723001	SCREW - HCS - .38 - 16 X 1.50 - GR8 - YZ	4	
8		235713001	WASHER - FLATSTRL - .38 - .41 X .81 - .06-YA-A325	4	
9		278953001	ANCHOR - CABLE TIE	1	
10		219104001	SEAL-BULB EDGE 3/16" STYLE	A/R	Part Qty Of 1 = 1 Foot
11		7000A576	DECAL-DANGER	1	
		700IA576	DECAL-DANGER	1	International
12		700IB055	DECAL - TRACK DRIVE	1	
13		700IB961	DECAL - RACK LIFT / OUTRIGGER	1	
14		700IC035	DECAL-THROTTLE	1	
15		70000098	DECAL-DIESEL (AT/UND)	1	
		7000I098	DECAL-DIESEL FUEL	1	International
16		2326324	DECAL-WARNING/REFUEL	1	
		2326I324	DECAL-WARNING	1	International
17		7000C073	DECAL-E-STOP	1	
18		1865001	GROMMET - 1/4 X 2 1/2 (YELLOW)	1	

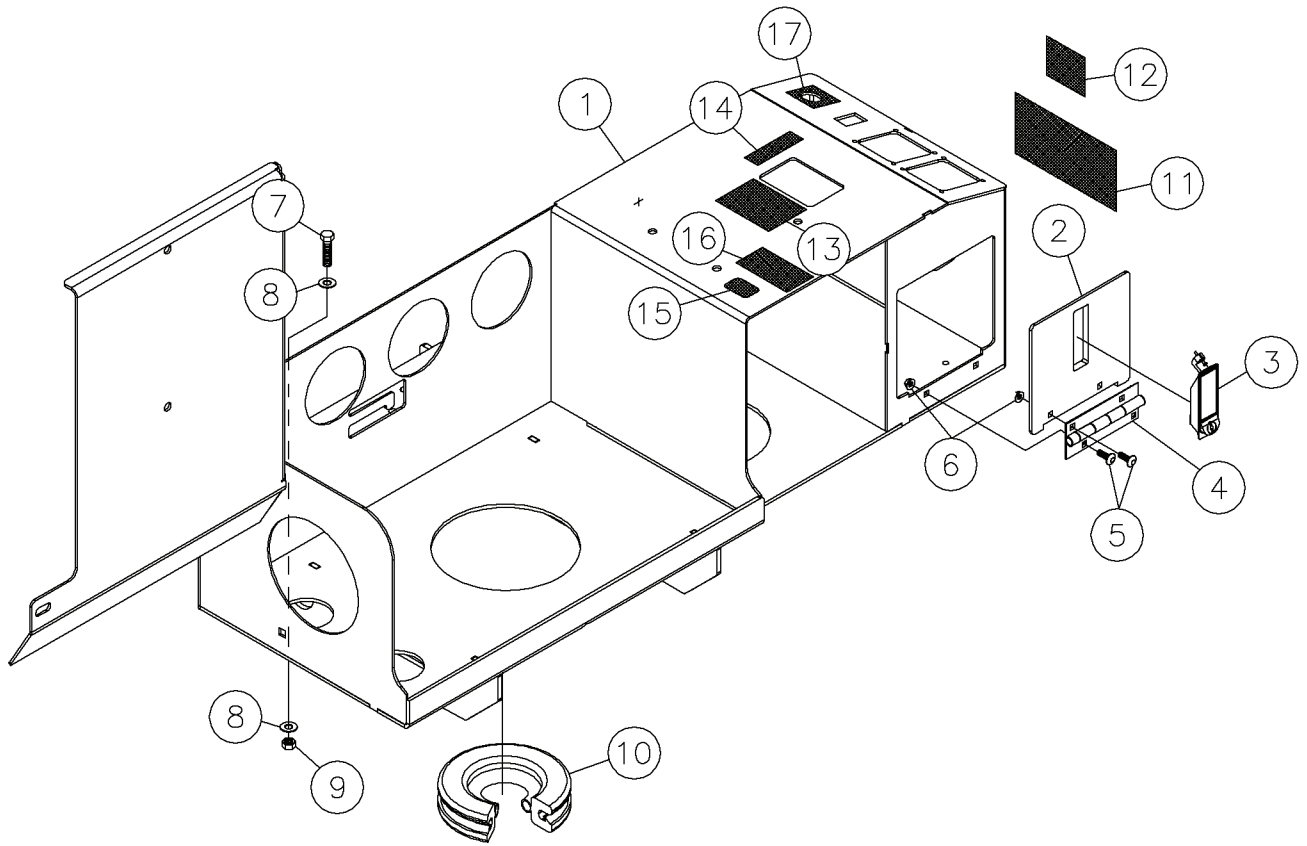
Rear Control Station Fig 2-5r01



## Rear Control Station Fig 2-5r01

REF. NO.	*	PART NO.	DESCRIPTION	QTY.	REMARKS
		Revision Date	July, 2004		Update In Illustration & Parts List.
1		296269011	HOUSING - REAR CONTROL STATION	1	
2		296270755	DOOR - REMOTE LOCKOUT	1	
3		218080001	LATCH-ADJ.LEVER W/RAISED BUTTN(INC KEYS)	1	
4		251524001	HINGE - DOOR	1	
5		373005	BOLT-1/4-20X5/8 GR5 CARRIAGE	4	
6		1809005	NUT-1/4 SM FLGE T.L.	4	
7		235723001	SCREW - HCS - .38 - 16 X 1.50 - GR8 - YZ	4	
8		235713001	WASHER - FLATSTRL - .38 - .41 X .81 - .06-YA-A325	4	
9		278953001	ANCHOR - CABLE TIE	1	
10		219104001	SEAL-BULB EDGE 3/16" STYLE	A/R	Part Qty Of 1 = 1 Foot
11		7000A576	DECAL-DANGER	1	
		700IA576	DECAL-DANGER	1	International
12		700IB055	DECAL - TRACK DRIVE	1	
13		700IB961	DECAL - RACK LIFT / OUTRIGGER	1	
14		700IC035	DECAL-THROTTLE	1	
15		70000098	DECAL-DIESEL (AT/UND)	1	
		7000I098	DECAL-DIESEL FUEL	1	International
16		2326324	DECAL-WARNING/REFUEL	1	
		2326I324	DECAL-WARNING	1	International
17		7000C073	DECAL-E-STOP	1	
18		1865001	GROMMET - 1/4 X 2 1/2 (YELLOW)	1	

Rear Control Station Fig 2-5

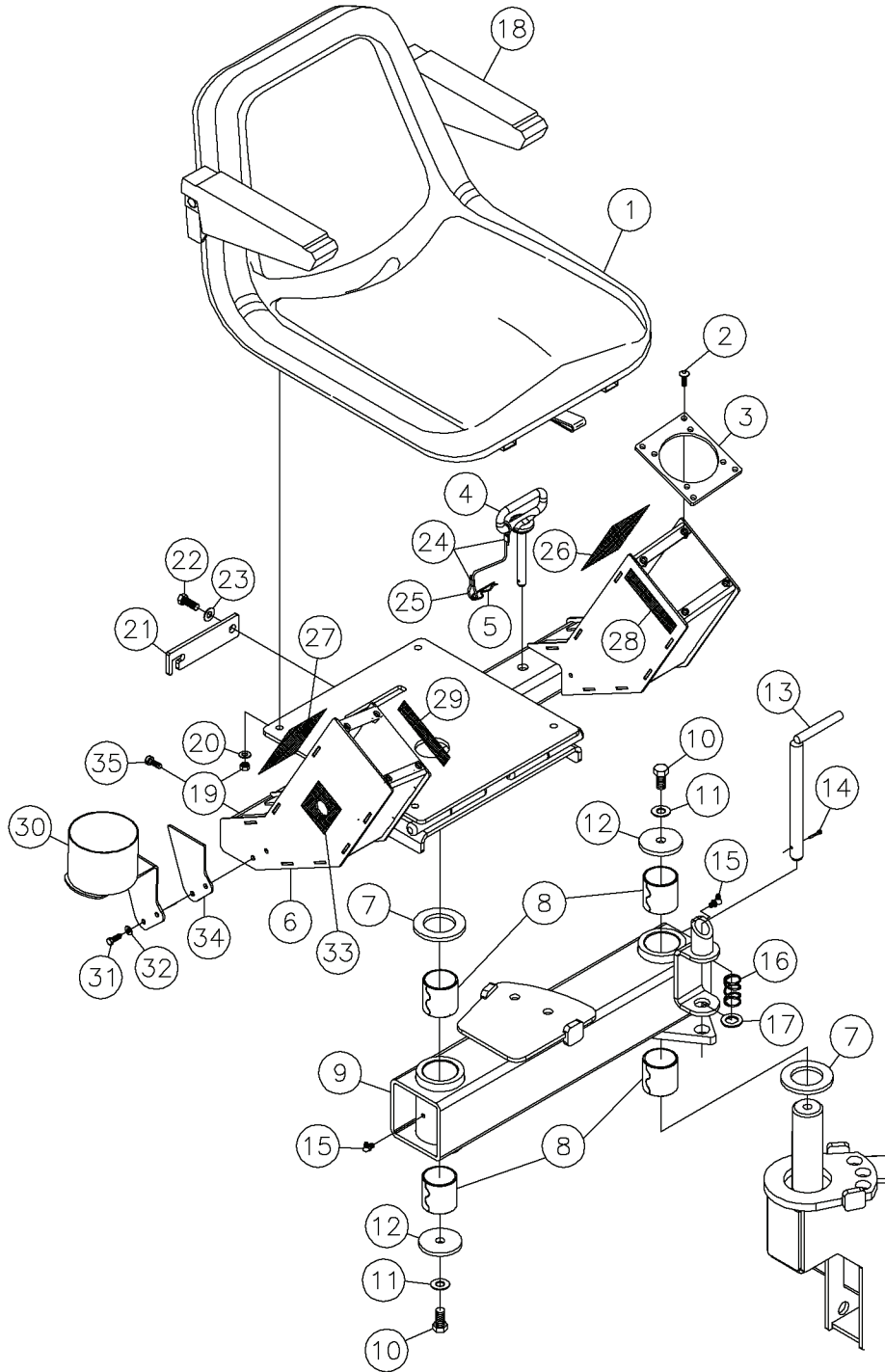




## Rear Control Station Fig 2-5

REF. NO.	*	PART NO.	DESCRIPTION	QTY.	REMARKS
1		296269011	HOUSING - REAR CONTROL STATION	1	
2		296270755	DOOR - REMOTE LOCKOUT	1	
3		218080001	LATCH-ADJ.LEVER W/RAISED BUTTN(INC KEYS)	1	
4		251524001	HINGE - DOOR	1	
5		373005	BOLT-1/4-20X5/8 GR5 CARRIAGE	4	
6		1809005	NUT-1/4 SM FLGE T.L.	4	
7		235723001	SCREW - HCS -.38 - 16 X 1.50 - GR8 - YZ	6	
8		235713001	WASHER - FLATSTRL - .38 - .41 X .81 - .06-YA-A325	12	
9		235725001	NUT - HEX - .38 - 16 - GR8 - YZ	6	
10		219104001	SEAL-BULB EDGE 3/16" STYLE	A/R	Part Qty Of 1 = 1 Foot
11		7000A576	DECAL-DANGER	1	
		700IA576	DECAL-DANGER	1	International
12		700IB055	DECAL - TRACK DRIVE	1	
13		700IB961	DECAL - RACK LIFT / OUTRIGGER	1	
14		700IC035	DECAL-THROTTLE	1	
15		70000098	DECAL-DIESEL (AT/UND)	1	
		7000I098	DECAL-DIESEL FUEL	1	International
16		2326324	DECAL-WARNING/REFUEL	1	
		2326I324	DECAL-WARNING	1	International
17		7000C073	DECAL-E-STOP	1	

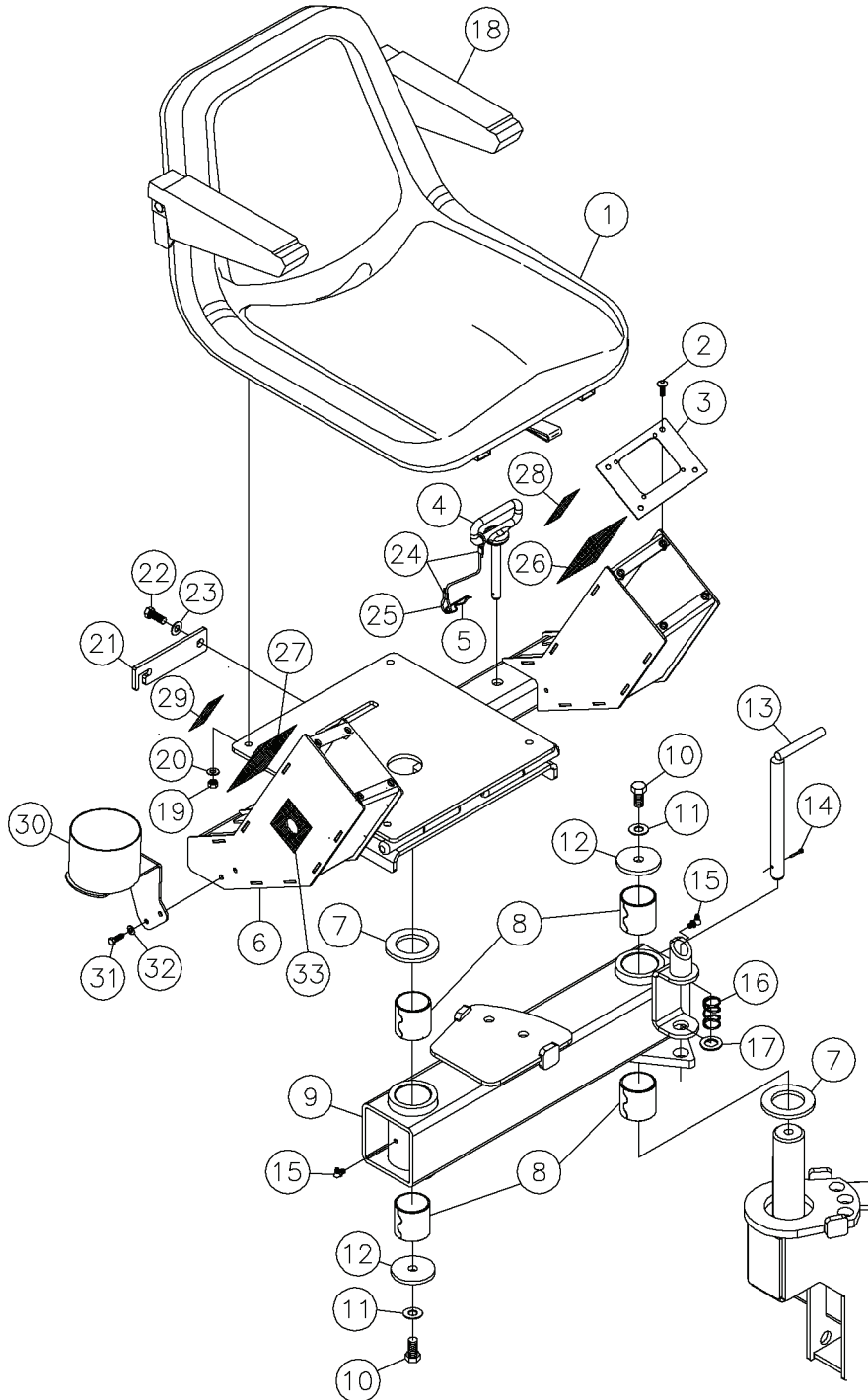
Seat Pivot Frame(S/N 136 And Up) Fig 2-6r01



## Seat Pivot Frame(S/N 136 And Up) Fig 2-6r01

REF. NO.	*	PART NO.	DESCRIPTION	QTY.	REMARKS
		Revision Date	February, 2004		Update In Illustration & Parts List.
1		279361001	SEAT - MILSCO W/ ONE FOAM PC.	1	
		279361003	SWITCH - SAFETY (SEALED)	1	
2		240419001	BOLT-1/4-20X3/4 BUTTON HEAD	8	
3		296273295	PLATE - JOYSTICK MOUNT	2	
4		295133001	PIN, HITCH .5 DIA	1	
5		1794003	HAIR PIN COTTER - .148 WIRE	1	
6		296273290	WELDMENT - SEAT SUPPORT	1	
7		296260403	SPACER - SEAT SWIVEL	2	
8		282797001	BUSHING - SPRING 2 X 1 3/4 X 2	4	
9		296260277	WELDMENT - SEAT ARM	1	
10		235729001	SCREW-HCS-.50-13X1.00-GR8-YZ	2	
11		485025	WASHER-1/2 FLAT-HARDENED-ZINC	2	
12		3808001	CAP-SHAFT	2	
13		296270826	PIN-SEAT PIVOT	1	
14		510009	COTTER PIN-1/8" X 1"	1	
15		588001	ZERK-1/8" NPT 45 DEG GREASE	2	
16		1803023	SPRING - COMP. #67 2" OA	1	
17		483025	WASHER-1 1/4X3/4X14 GA M.B.	1	
18		220238001	KIT-MILSCO OLYMPIC ARM REST	1	Inc. Mounting Bracket And Hardware
19		235741001	NUT - HEX - .31 - 18 - GR8 - YZ	4	
20		235714001	WASHER - FLATSTRL - .31 - .34 X .69 - .06-YZ-A325	4	
21		296260342	PLATE - PROP ROD	1	
22		240056001	SCREW-SHSS-.50X.50-.38-16THD-CZ	1	
23		235713001	WASHER - FLATSTRL - .38 - .41 X .81 - .06-YA-A325	1	
24		142423001	CRIMP-CABLE (FOR.068DIA.CABLE)	2	
25		142954001	CABLE-.068DIA.NYLON CT.-36.00	1	
26		700IB963	DECAL - LEFT JOYSTICK	1	
27		700IB962	DECAL - RIGHT JOYSTICK	1	
28		700IB968	DECAL - LEFT JOYSTICK - ROTATION	1	
29		700IB967	DECAL - RIGHT JOYSTICK - THRUST	1	
30		236397001	HOLDLER-CUP/RADIO	1	
31		53653006	1/4-20X3/4 S TAP WA HD TYPE F	2	
32		235716001	WASHER - FLATSTRL - .25 -.28 X .63 - .06 - CZ	2	
33		7000C073	DECAL-E-STOP	1	
34		296270851	RUBBER - CUP HOLDER	1	
35		278953001	ANCHOR - CABLE TIE	2	

Seat Pivot Frame(S/N 101-135) Fig 2-6

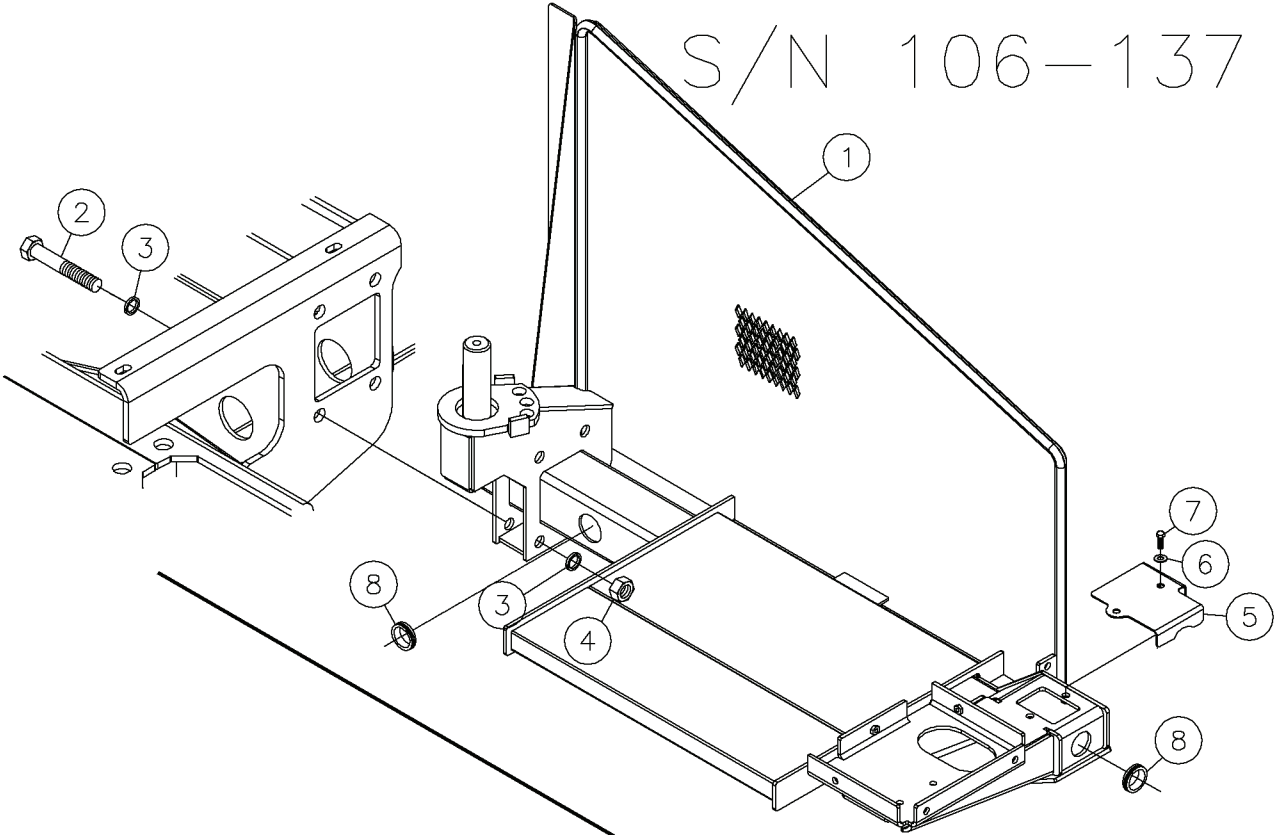


## Seat Pivot Frame(S/N 101-135) Fig 2-6

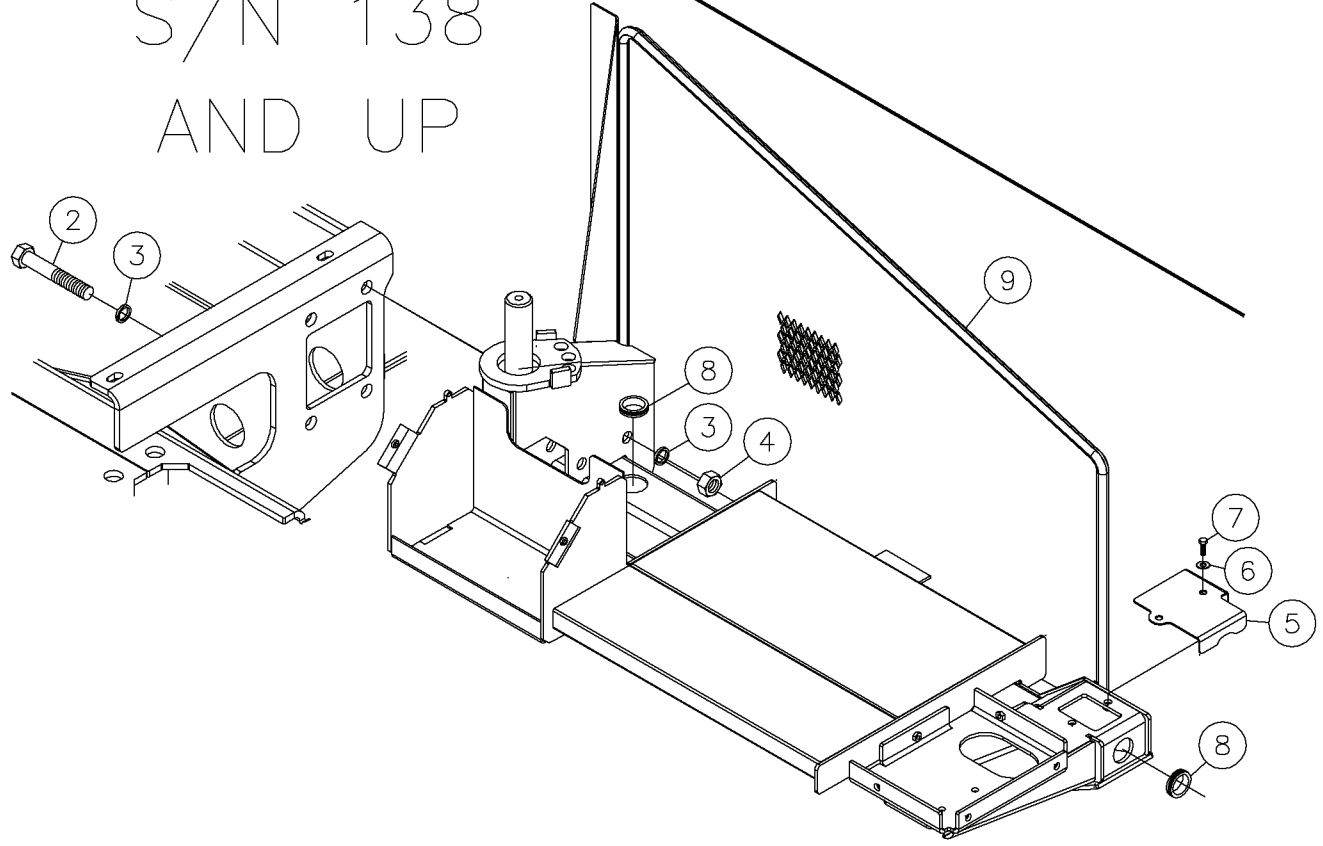
REF. NO.	*	PART NO.	DESCRIPTION	QTY.	REMARKS
1		279361001	SEAT - MILSCO W/ ONE FOAM PC.	1	
		279361003	SWITCH - SAFETY (SEALED)	1	
2		240419001	BOLT-1/4-20X3/4 BUTTON HEAD	8	
3		296260352	PLATE - JOYSTICK MOUNT	2	
4		295132001	PIN, HITCH .5 DIA	1	
5		1794003	HAIR PIN COTTER - .148 WIRE	1	
6		296260361	WELDMENT - SEAT SUPPORT	1	
7		296260403	SPACER - SEAT SWIVEL	2	
8		282797001	BUSHING - SPRING 2 X 1 3/4 X 2	4	
9		296260277	WELDMENT - SEAT ARM	1	
10		235729001	SCREW-HCS-.50-13X1.00-GR8-YZ	2	
11		485025	WASHER-1/2 FLAT-HARDENED-ZINC	2	
12		3808001	CAP-SHAFT	2	
13		296270826	PIN-SEAT PIVOT	1	
14		510009	COTTER PIN-1/8" X 1"	1	
15		588001	ZERK-1/8" NPT 45 DEG GREASE	2	
16		1803023	SPRING - COMP. #67 2" OA	1	
17		483025	WASHER-1 1/4X3/4X14 GA M.B.	1	
18		220238001	KIT-MILSCO OLYMPIC ARM REST	1	Inc. Mounting Bracket And Hardware
19		235741001	NUT - HEX - .31 - 18 - GR8 - YZ	4	
20		235714001	WASHER - FLATSTRL - .31 - .34 X .69 - .06-YZ-A325	4	
21		296260342	PLATE - PROP ROD	1	
22		240056001	SCREW-SHSS-.50X.50-.38-16THD-CZ	1	
23		235713001	WASHER - FLATSTRL - .38 - .41 X .81 - .06-YA-A325	1	
24		142423001	CRIMP-CABLE (FOR.068DIA.CABLE)	2	
25		142954001	CABLE-.068DIA.NYLON CT.-36.00	1	
26		700IB963	DECAL - LEFT JOYSTICK	1	
27		700IB962	DECAL - RIGHT JOYSTICK	1	
28		700IB968	DECAL - LEFT JOYSTICK - ROTATION	1	
29		700IB967	DECAL - RIGHT JOYSTICK - THRUST	1	
30		236397001	HOLDER-CUP/RADIO	1	
31		53653006	1/4-20X3/4 S TAP WA HD TYPE F	2	
32		235716001	WASHER - FLATSTRL - .25 -.28 X .63 - .06 - CZ	2	
33		7000C073	DECAL-E-STOP	1	

Seat Platform (Sn 106 & UP) Fig 2-7r01

S/N 106-137



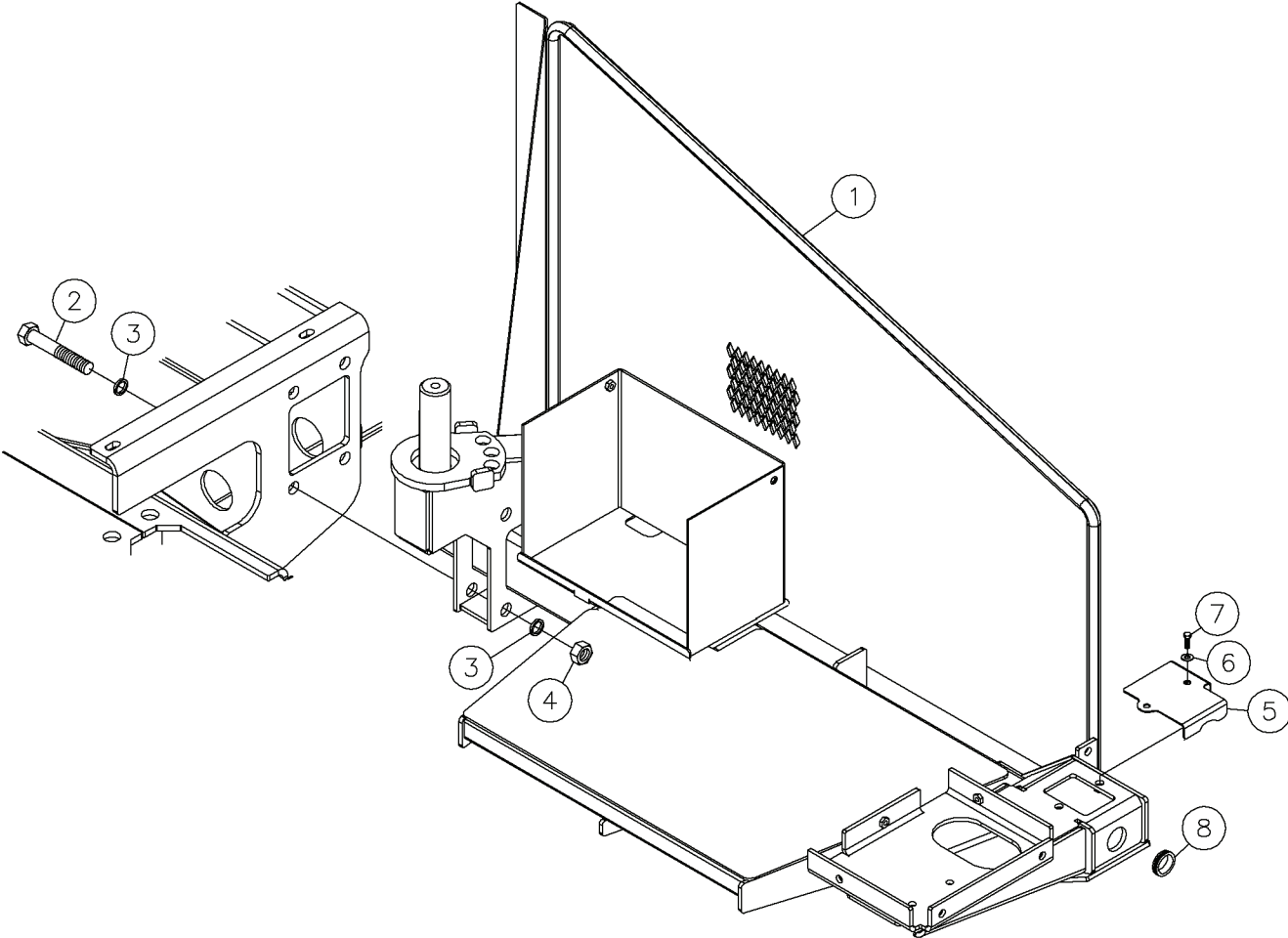
S/N 138  
AND UP



## Seat Platform (Sn 106 &amp; UP) Fig 2-7r01

REF. NO.	*	PART NO.	DESCRIPTION	QTY.	REMARKS
		Revision Date	February, 2004		Update In Illustration & Parts List.
1		296260362	WELDMENT - D18X22 CONSOLE	1	S/N 106-137
2		235738001	BOLT-3/4-10X4 1/2 GR8 ZNC PLT	4	
3		235717001	WASHER-3/4 FLAT HARDENED YELLOW ZINC	8	
4		250510001	NUT 3/4 NC Gr8 SLTL Y/ZINC	4	
5		296266662	COVER - HARNESS ACCESS	1	
6		235741001	NUT - HEX - .31 - 18 - GR8 -YZ	2	
7		235742001	BOLT-5/16-18X3/4 GR8 ZINC PLTD	2	
8		1865001	GROMMET - 2875	2	
9		296268944	WELDMENT - 707 CONSOLE/BATTERY TRAY	1	S/N 138 And Up

Seat Platform (Sn 106 & UP) Fig 2-7

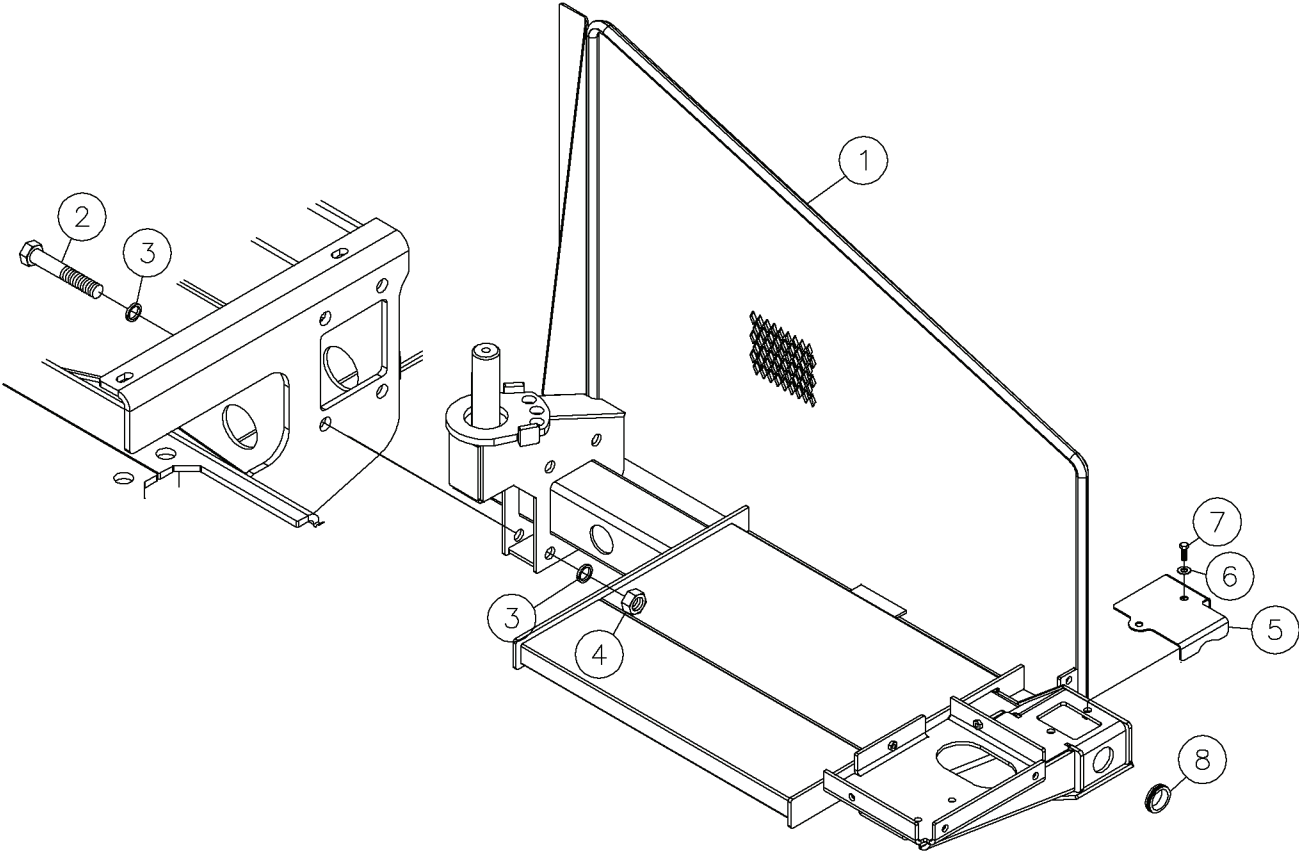




## Seat Platform (Sn 106 &amp; UP) Fig 2-7

REF. NO.	*	PART NO.	DESCRIPTION	QTY.	REMARKS
1		296260362	WELDMENT - D18X22 CONSOLE	1	S/N 106 And Up
2		235738001	BOLT-3/4-10X4 1/2 GR8 ZNC PLT	4	
3		235717001	WASHER-3/4 FLAT HARDENED YELLOW ZINC	8	
4		250510001	NUT 3/4 NC Gr8 SLTL Y/ZINC	4	
5		296266662	COVER - HARNESS ACCESS	1	
6		235741001	NUT - HEX - .31 - 18 - GR8 -YZ	2	
7		235742001	BOLT-5/16-18X3/4 GR8 ZINC PLTD	2	
8		1865009	GROMMET - 2875	1	

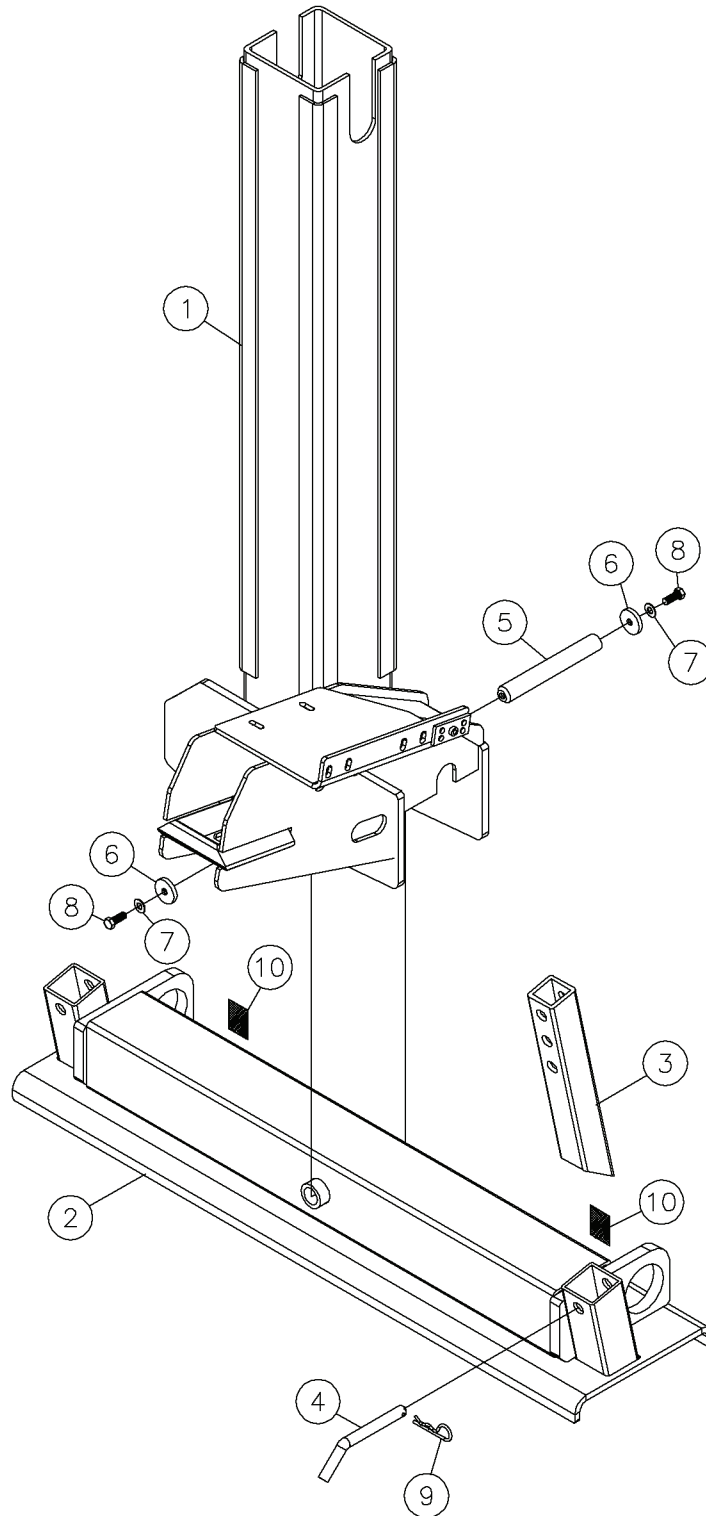
Seat Platform (Sn 101-105) Fig 2-7s01



## Seat Platform (Sn 101-105) Fig 2-7s01

REF. NO.	*	PART NO.	DESCRIPTION	QTY.	REMARKS
1		296260362	WELDMENT - D18X22 CONSOLE	1	S/N 101-105
2		235738001	BOLT-3/4-10X4 1/2 GR8 ZNC PLT	4	
3		235717001	WASHER-3/4 FLAT HARDENED YELLOW ZINC	8	
4		250510001	NUT 3/4 NC Gr8 SLTL Y/ZINC	4	
5		296266662	COVER - HARNESS ACCESS	1	
6		235741001	NUT - HEX - .31 - 18 - GR8 -YZ	2	
7		235742001	BOLT-5/16-18X3/4 GR8 ZINC PLTD	2	
8		1865009	GROMMET - 2875	1	

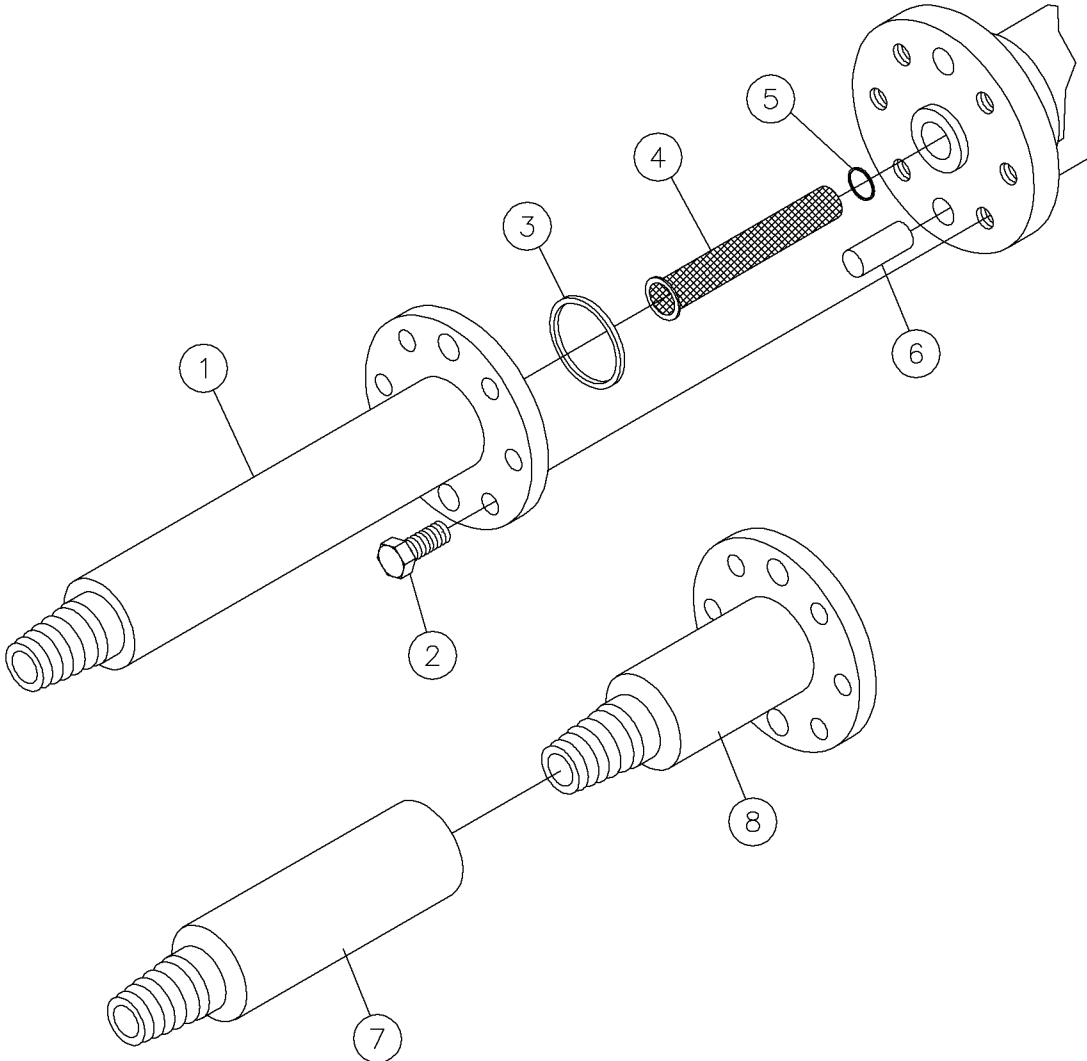
Outrigger Frame Fig 2-8



## Outrigger Frame Fig 2-8

REF. NO.	*	PART NO.	DESCRIPTION	QTY.	REMARKS
1		296266501	OUTRIGGER - RACK LIFT	1	
2		296266505	PAD - OUTRIGGER	1	
3		296266507	STAKE - OUTRIGGER PAD	2	
4		278124001	ROD - FOOT PIN	2	
5		278000001	PIN-OUTRIGGER	1	
6		240006001	CAP-END	2	
7		235713001	WASHER - FLATSTRL - .38 - .41 X .81 - .06-YA-A325	2	
8		235727001	BOLT-3/8-16X1 GR8 HEX ZINC PLT	2	
9		1794003	HAIR PIN COTTER - .148 WIRE	2	
10		70001834	DECAL - TIE DOWN POINT	1	

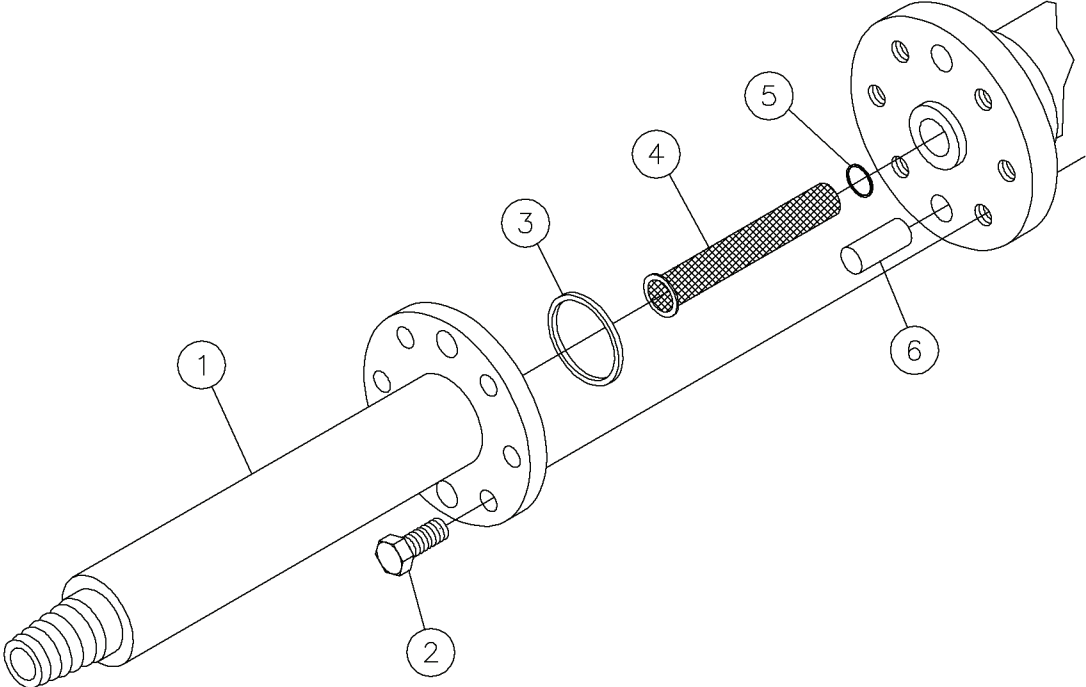
Drive Chuck Fig 2-9r01



## Drive Chuck Fig 2-9r01

REF. NO.	*	PART NO.	DESCRIPTION	QTY.	REMARKS
		Revision Date	May, 2005		Update In Illustration & Parts List.
1		235751001	DRIVE CHUCK-2 1/8"OD	1	Use With 1.90" Drill Rod
2		235737001	BOLT-1/2-13X1 1/4 GR8 ZINC PLT	6	
3		72897001	O RING-SQ. #24 FLANGE	1	
4		905011001	SCREEN (DRILL FLUID)	1	
		905012001	SCREEN (WATER)	1	
5		904508001	WASHER-BLACK RUBBER	1	
6		70096001	PIN-DOWEL 5/8DIA.-1 1/2	1	
7		296279708	SUB 2-1/16 VERMEER THREAD	1	Use With 2.06" Drill Rod
8		296279707	DRIVE CHUCK - 2-1/4 OD	1	Use With 2.06" Drill Rod

Drive Chuck Fig 2-9

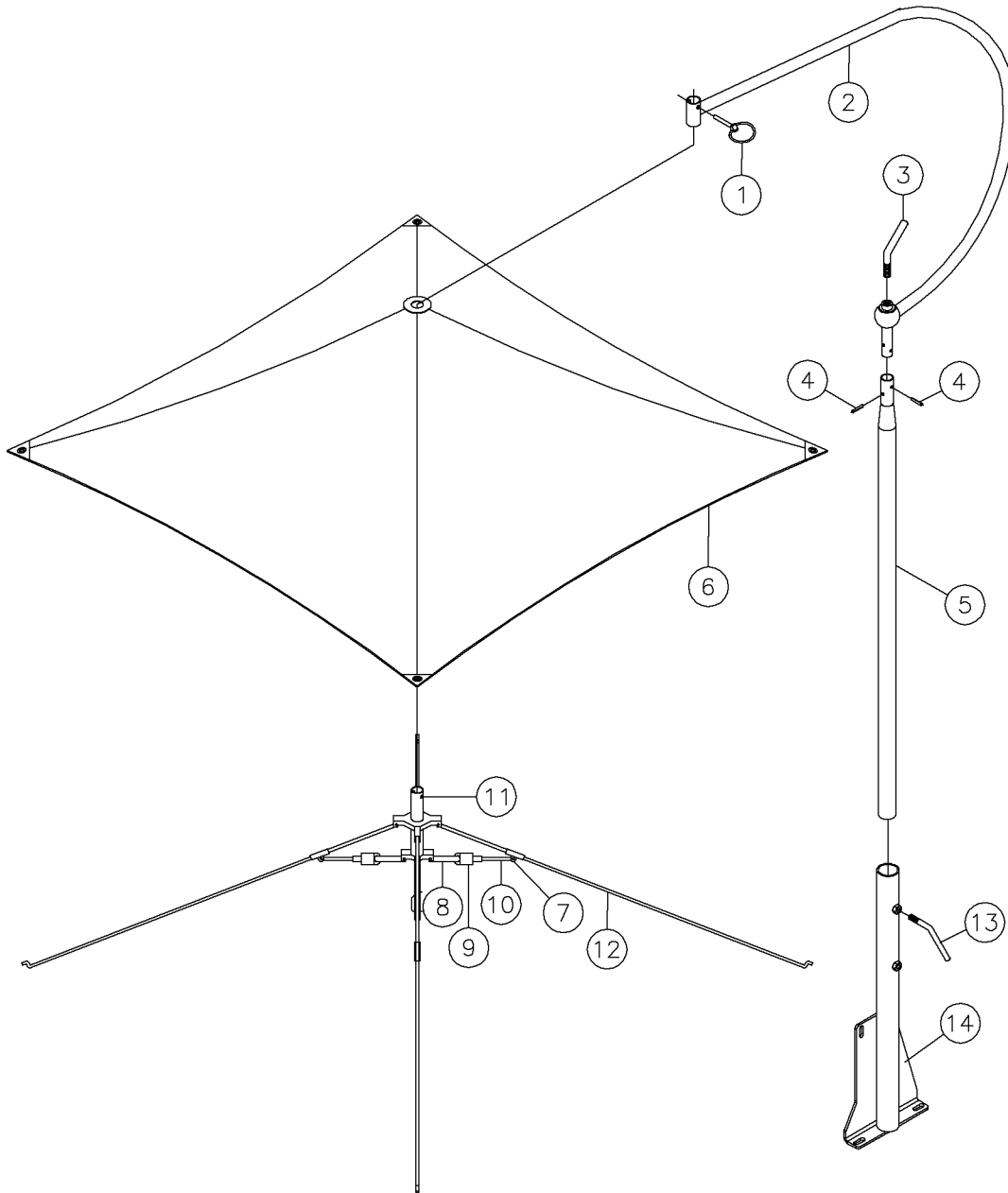




## Drive Chuck Fig 2-9

REF. NO.	*	PART NO.	DESCRIPTION	QTY.	REMARKS
1		235751001	DRIVE CHUCK-2 1/8"OD	1	
2		235737001	BOLT-1/2-13X1 1/4 GR8 ZINC PLT	6	
3		72897001	O RING-SQ. #24 FLANGE	1	
4		905011001	SCREEN (DRILL FLUID)	1	
		905012001	SCREEN (WATER)	1	
5		904508001	WASHER-BLACK RUBBER	1	
6		70096001	PIN-DOWEL 5/8DIA.-1 1/2	1	

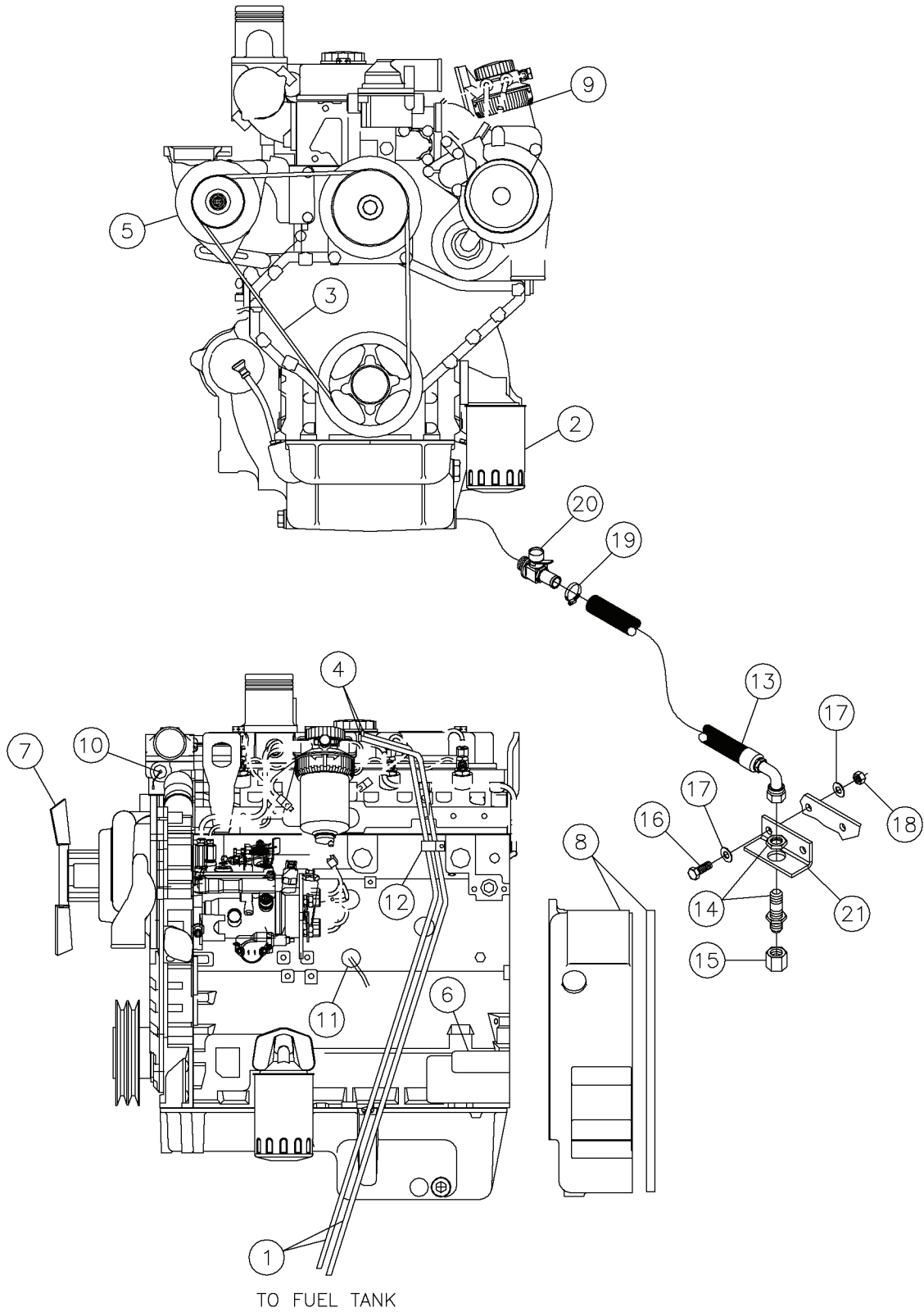
Umbrella Fig 2-10



## Umbrella Fig 2-10

REF. NO.	*	PART NO.	DESCRIPTION	QTY.	REMARKS
		Revision Date	May, 2005		Addition To Manual
1		1797003	PIN-QUICK ATTACHMENT LATCH 1/4"-XCX 6M DIA"	1	
2		238181003	CURVED SHAFT	1	
3		238181005	LOCKING HANDLE	1	
4		1978011	PIN ROLL 3/16 X 1 ZINC	2	
5		238181007	SUPPORT SHAFT-UMBRELLA	1	
6		240103001	SHEATH-UMBRELLA	1	
7		238181011	RIVET-PUSH PIN	12	
8		238181013	TUBE-PUSH ROD	4	
9		238181015	CLIP-PUSH ROD LOCKING SPRING	4	
10		238181017	PUSH ROD	4	
11		238181019	CENTER TUBE W/ SPIDERS	1	
12		238181021	BOW W/ CLEVIS	4	
13		240038001	BOLT-TIGHTENING 3/8"	2	
14		296271408	MOUNT - UMBRELLA	1	
		238181001	UMBRELLA-ASSY (PARTS REPAIR)		Inc Ref No's 1-12
		240102001	FRAME-UMBRELLA		Inc Ref No's 2-5 & 7-12

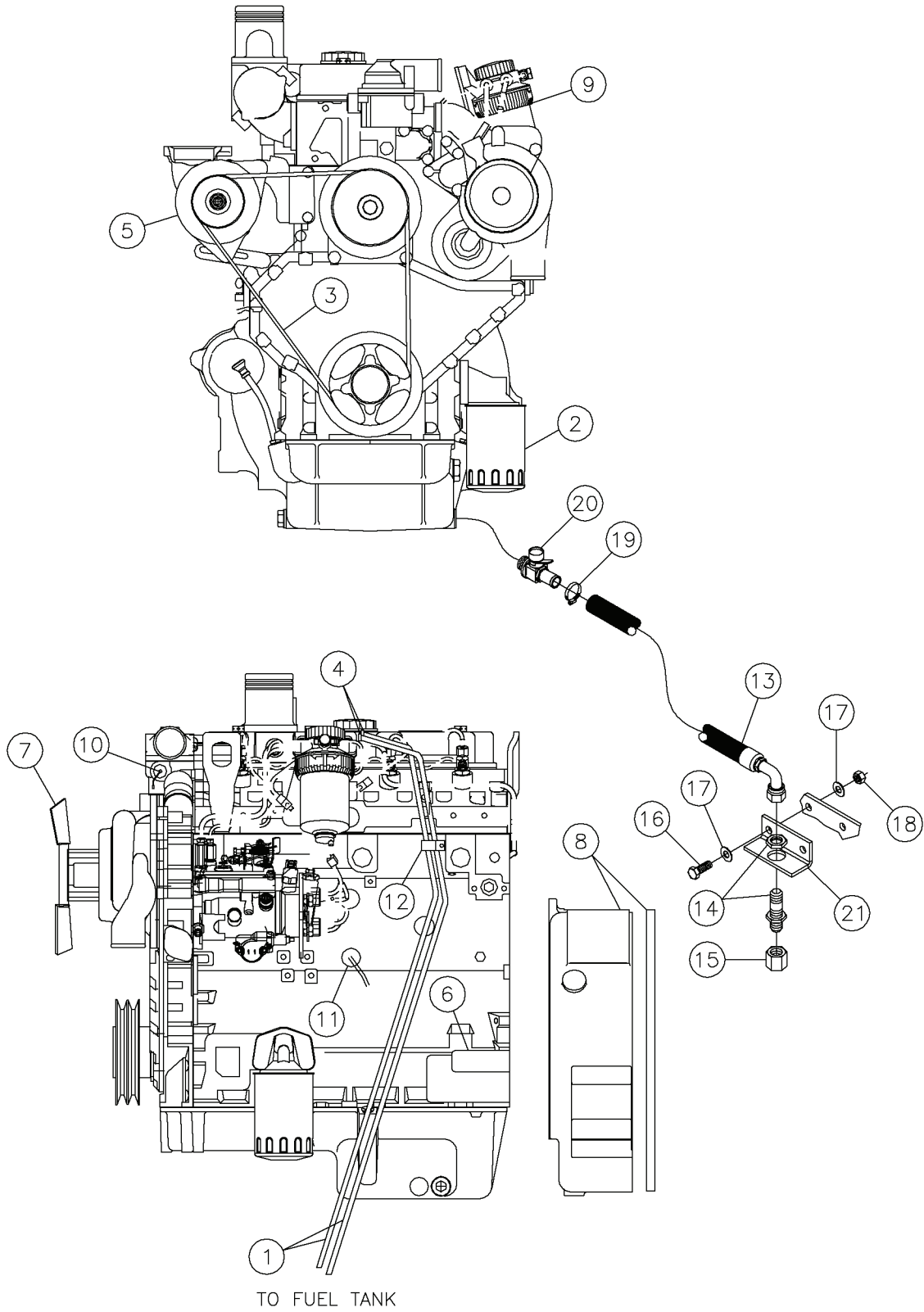
Engine Components Assy Fig 3-1r03



## Engine Components Assy Fig 3-1r03

REF. NO.	*	PART NO.	DESCRIPTION	QTY.	REMARKS
		Revision Date	May, 2005		Update In Illustration & Parts List.
1		620001	HOSE - 5/16 FUEL LINE	A/R	P/N Qty. Of 1 = 1 Foot
2		296267174	OIL FILTER	1	
3		296267172	BELT - SET	2	
4		1580001	HOSE CLAMP - 3/8"	2	
5		296267176	ALTERNATER	1	
6		296275137	STARTER - DENSO P95 E0103	1	
7		296257239	FAN - 12 - BLADE SUCTION	1	
8		296267177	COUPLING ASSY	1	
9		296267175	FUEL FILTER	1	
10		296269282	SWITCH - WATER TEMPERATUR	1	
11		98678001	SWITCH-PRESSURE SIN POLE 9 PSI	1	
		3075001	FITTING-3300X2 WTHR-HD	1	
		4020001	FITTING-3326X2 WTHR-HD	1	
12		230965001	CLAMP-1 3/4" W/17/32 HOLE	1	Use Existing Engine Hardware
13		296275074	HOSE - DRAIN 5/8 X 8 X 10 FSJIC 90/ OPEN	1	
14		77734001	FITTING-10M JIC BULKHEAD STR.	1	
15		78062001	FITTING - CAP - 10FJ	1	
16		235727001	BOLT-3/8-16X1 GR8 HEX ZINC PLT	2	
17		235713001	WASHER - FLATSTRL - .38 - .41 X .81 - .06-YA-A325	4	
18		250508001	NUT - 3/8-NC Gr8 TOP LOCK Y/ZINC	2	
19		1580005	HOSE CLAMP - 1"	1	
20		296275077	VALVE - DRAIN	1	
21		296275076	MOUNT - BULKHEAD	1	

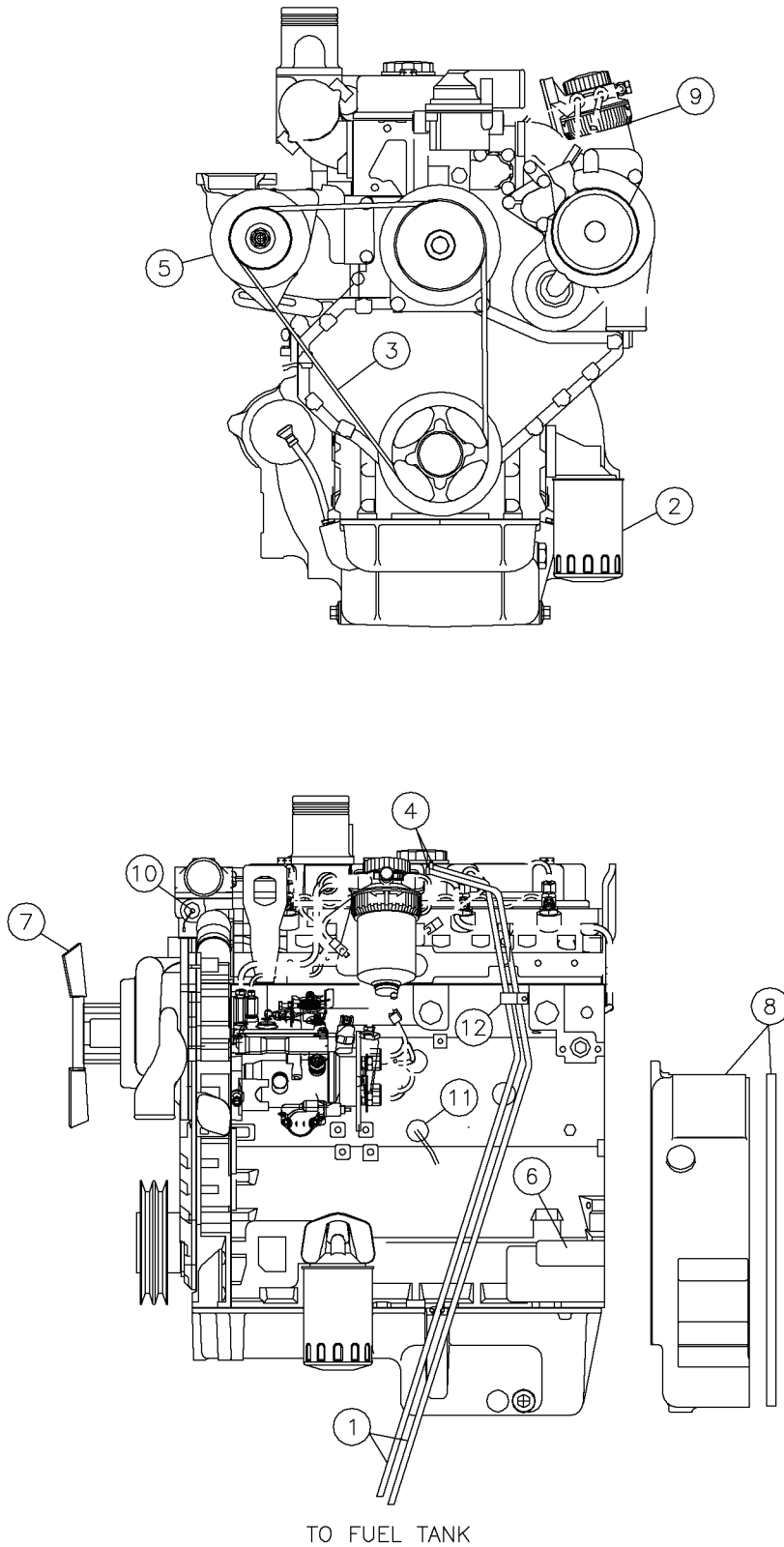
Engine Components Assy Fig 3-1r02



## Engine Components Assy Fig 3-1r02

REF. NO.	*	PART NO.	DESCRIPTION	QTY.	REMARKS
1		620001	HOSE - 5/16 FUEL LINE	A/R	P/N Qty. Of 1 = 1 Foot
2		296267174	OIL FILTER	1	
3		296267172	BELT - SET	2	
4		1580001	HOSE CLAMP - 3/8"	2	
5		296267176	ALTERNATER	1	
6		296267173	STARTER	1	
7		296257239	FAN - 12 - BLADE SUCTION	1	
8		296267177	COUPLING ASSY	1	
9		296267175	FUEL FILTER	1	
10		296269282	SWITCH - WATER TEMPERATUR	1	
11		98678001	SWITCH-PRESSURE SIN POLE 9 PSI	1	
		3075001	FITTING-3300X2 WTHR-HD	1	
		4020001	FITTING-3326X2 WTHR-HD	1	
12		230965001	CLAMP-1 3/4" W/17/32 HOLE	1	Use Existing Engine Hardware
13		296275074	HOSE - DRAIN 5/8 X 8 X 10 FSJIC 90/ OPEN	1	
14		77734001	FITTING-10M JIC BULKHEAD STR.	1	
15		78062001	FITTING - CAP - 10FJ	1	
16		235727001	BOLT-3/8-16X1 GR8 HEX ZINC PLT	2	
17		235713001	WASHER - FLATSTRL - .38 - .41 X .81 - .06-YA-A325	4	
18		250508001	NUT - 3/8-NC Gr8 TOP LOCK Y/ZINC	2	
19		1580005	HOSE CLAMP - 1"	1	
20		296275077	VALVE - DRAIN	1	
21		296275076	MOUNT - BULKHEAD	1	

Engine Components Assy Fig 3-1r01

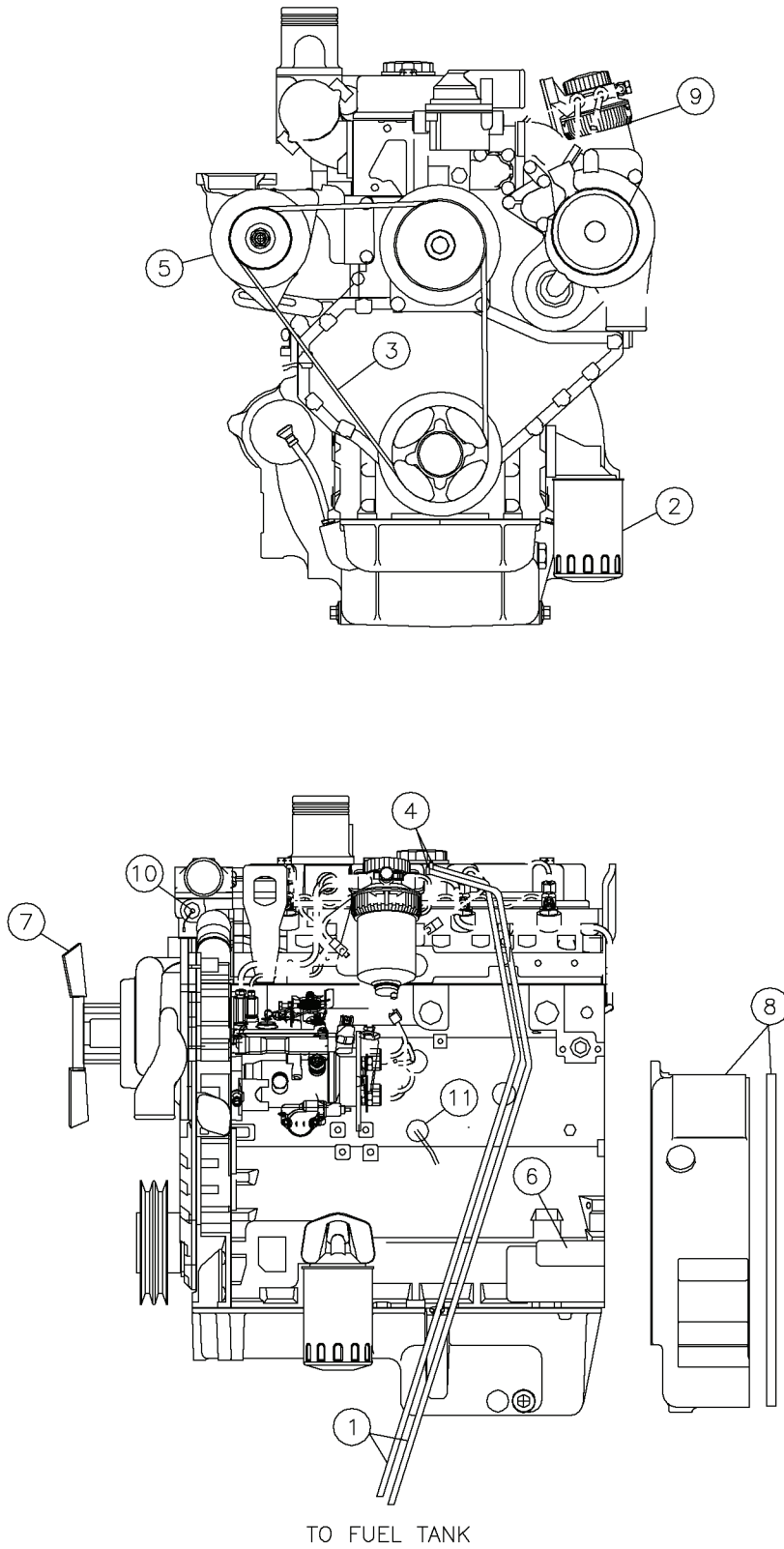




## Engine Components Assy Fig 3-1r01

REF. NO.	*	PART NO.	DESCRIPTION	QTY.	REMARKS
		Revision Date	February, 2004		Update In Illustration & Parts List.
1		620001	HOSE - 5/16 FUEL LINE	A/R	P/N Qty. Of 1 = 1 Foot
2		296267174	OIL FILTER	1	
3		296267172	BELT-SET	2	
4		1580001	HOSE CLAMP - 3/8"	2	
5		296267176	ALTERNATER	1	
6		296267173	STARTER	1	
7		296257239	FAN - 12 - BLADE SUCTION	1	
8		296267177	COUPLING ASSY	1	
9		296267175	FUEL FILTER	1	
10		296269282	SWITCH - WATER TEMPERATUR	1	
11		98678001	SWITCH-PRESSURE SIN POLE 9 PSI	1	
		3075001	FITTING-3300X2 WTHR-HD	1	
		4020001	FITTING-3326X2 WTHR-HD	1	
12		2595013	CLAMP-1 1/2" I.D. W/VINYL COAT W/ 13/32	1	Use Existing Engine Hardware
13		296269288	HOSE-HYD-1/2X28 8FSJIC ST/ST 4000PSI	1	
14		53824001	FITTING-#8M O-RING-#8M JIC ST.	1	
15		83637001	PLUG-#8 JIC MALE	1	
16		238888001	BOLT-M10X1.50X25 HHCS CL-10.9 ZY	1	
17		506046010	WASHER-FLAT,M10,YZ,D125A	1	

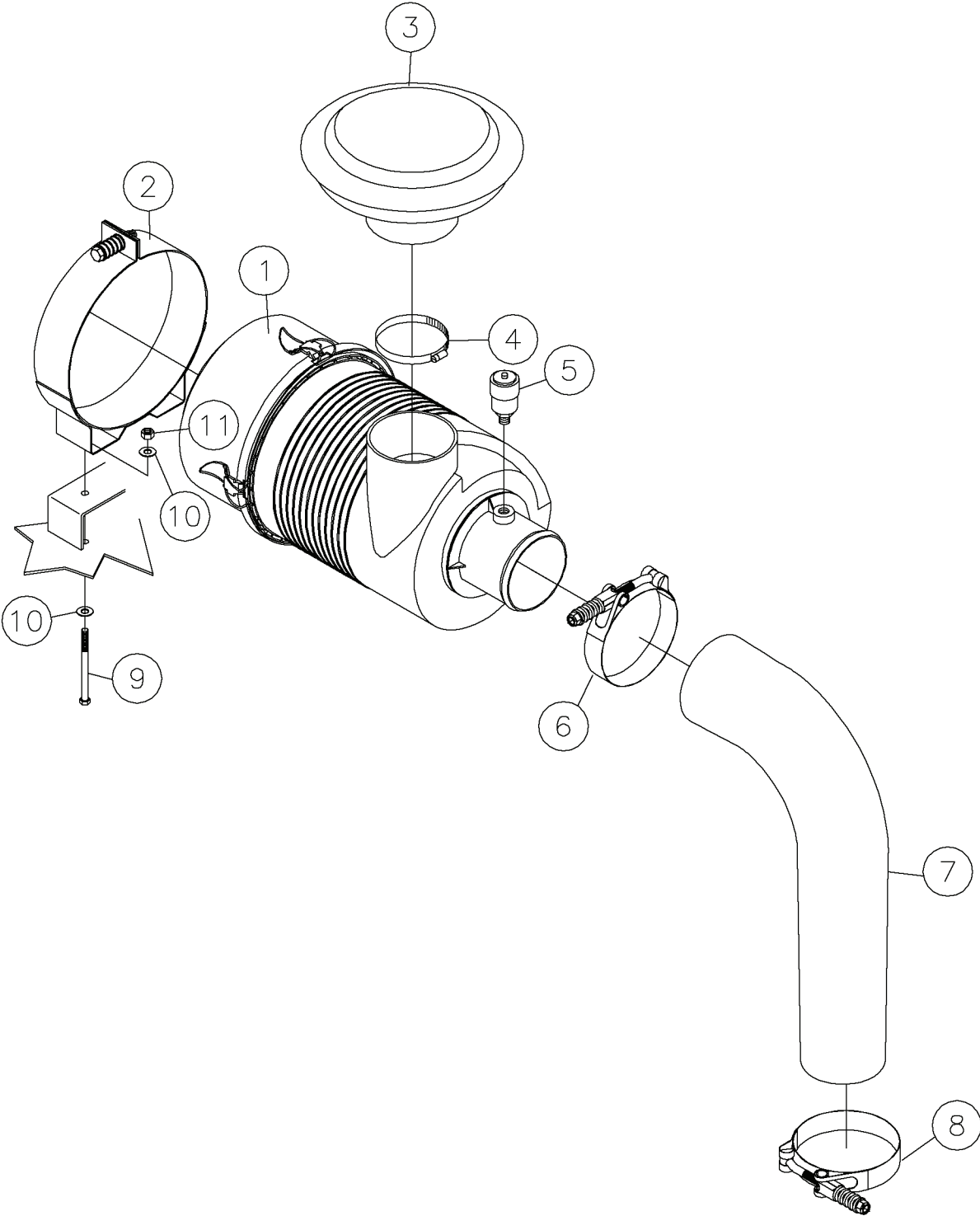
Engine Components Assy Fig 3-1



## Engine Components Assy Fig 3-1

REF. NO.	*	PART NO.	DESCRIPTION	QTY.	REMARKS
1		620001	HOSE - 5/16 FUEL LINE	A/R	P/N Qty. Of 1 = 1 Foot
2		296267174	OIL FILTER	1	
3		296267172	BELT-SET	2	
4		1580001	HOSE CLAMP - 3/8"	2	
5		296267176	ALTERNATER	1	
6		296267173	STARTER	1	
7		296257239	FAN - 12 - BLADE SUCTION	1	
8		296267177	COUPLING ASSY	1	
9		296267175	FUEL FILTER	1	
10		296269282	SWITCH - WATER TEMPERATUR	1	
11		98678001	SWITCH-PRESSURE SIN POLE 9 PSI	1	
		3075001	FITTING-3300X2 WTHR-HD	1	
		4020001	FITTING-3326X2 WTHR-HD	1	

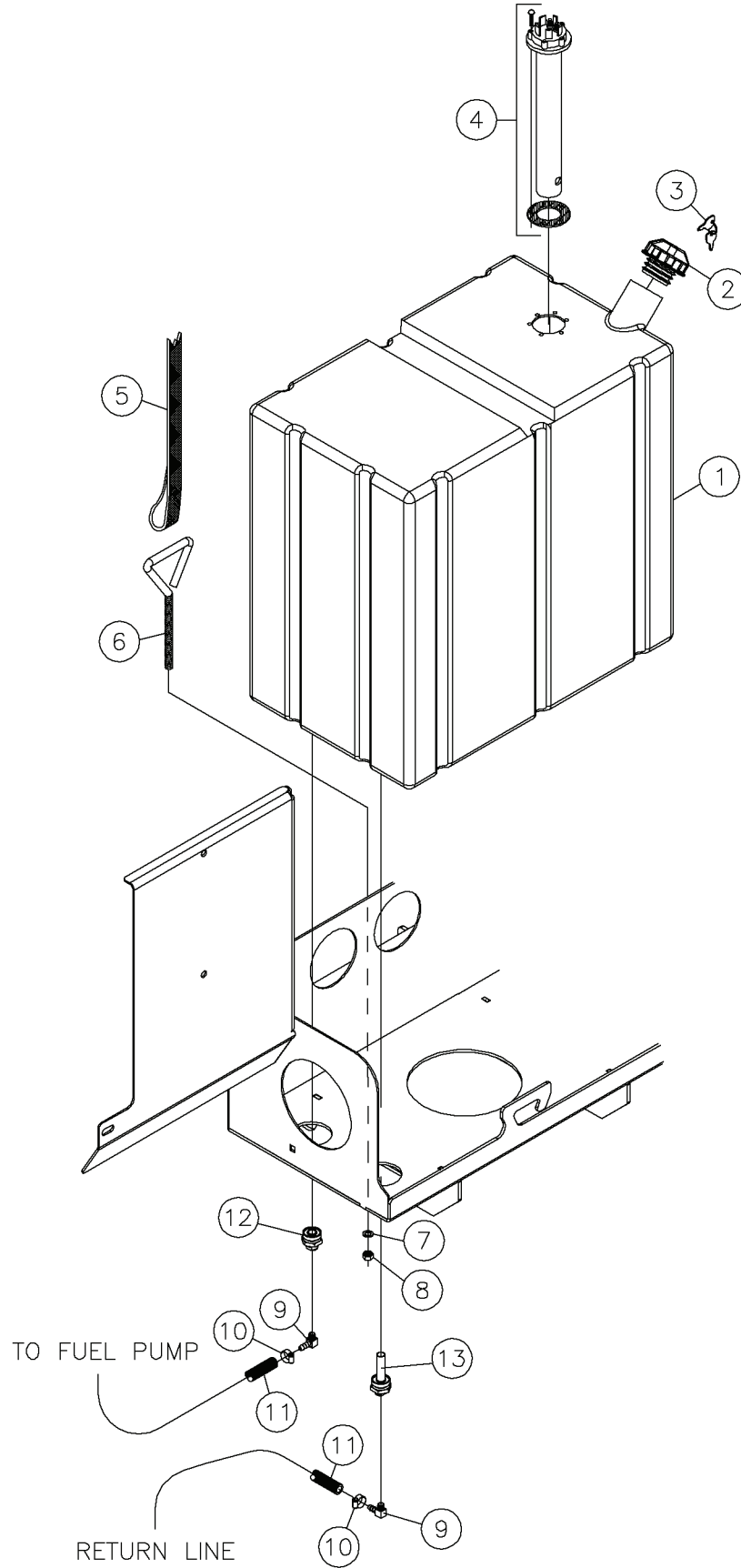
Air Cleaner Assy Fig 3-2



## Air Cleaner Assy Fig 3-2

REF. NO.	*	PART NO.	DESCRIPTION	QTY.	REMARKS
1		118496001	AIR CLEANER-FPG082525	1	Breakdown On Fig. 11-24
2		220167001	CLAMP-AIR CLEANER H00-2023	1	
3		2154001	CAP-GAH00-0466	1	
4		1580017	HOSE CLAMP - 3 3/4"	1	
5		2164001	INDICATOR - RAX00-2351	1	
6		100488001	CLAMP-AIR CLEANER T-BOLT 4"	1	
7		296269253	HOSE - AIR INTAKE	1	
8		286176001	CLAMP - T-BOLT HOSE 3.5" ID	1	
9		248013001	BOLT-5/16-18X3 1/2 GD8 ZINC PL	2	
10		235714001	WASHER - FLATSTRL - .31 - .34 X .69 - .06-YZ-A325	4	
11		235741001	NUT - HEX - .31 - 18 - GR8 -YZ	2	

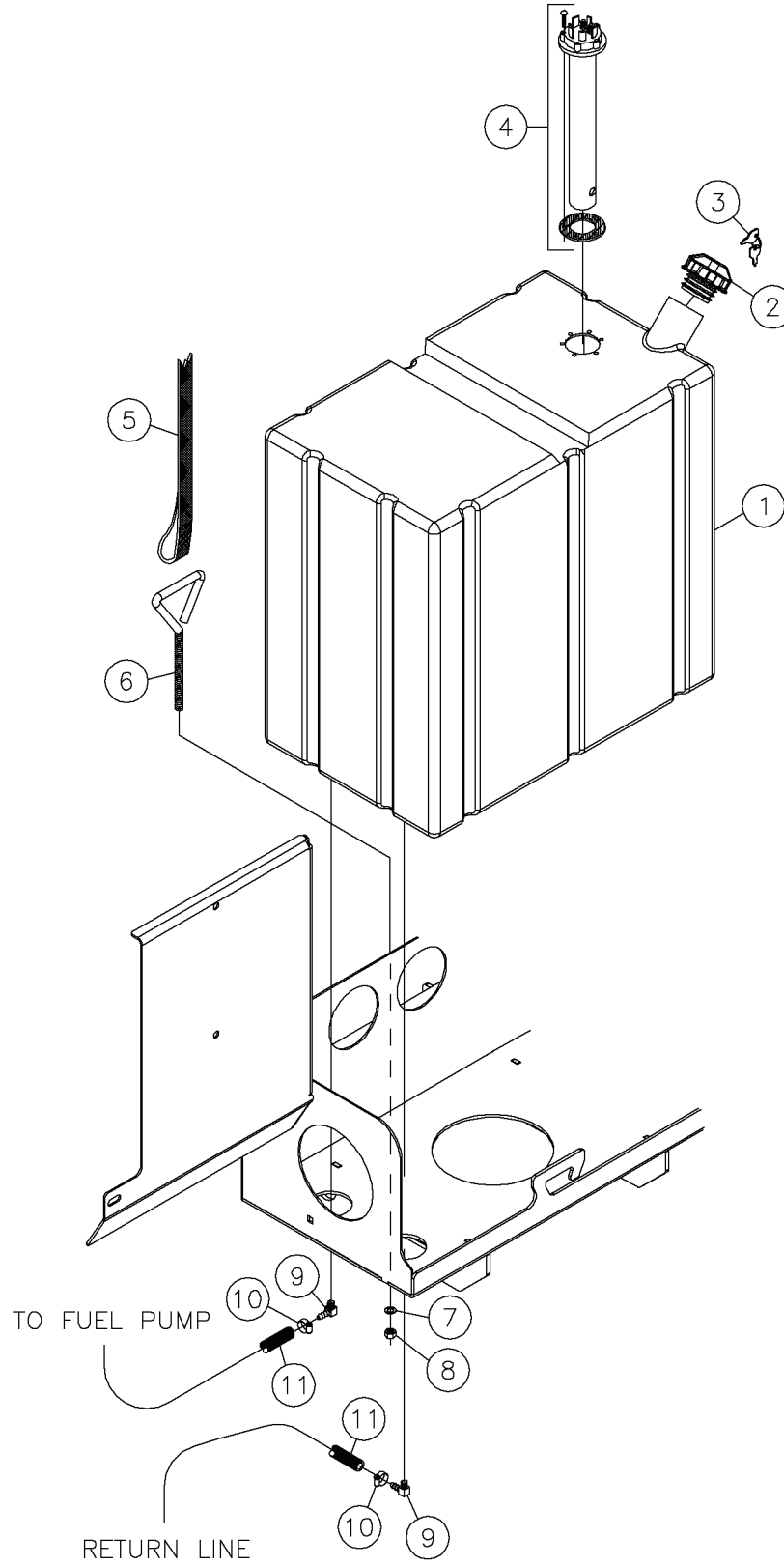
Fuel Tank Assy Fig 3-3r02



## Fuel Tank Assy Fig 3-3r02

REF. NO.	*	PART NO.	DESCRIPTION	QTY.	REMARKS
		Revision Date	May, 2005		Update In Illustration & Parts List.
1		296260388	TANK - 25 GALLON FUEL	1	
2		279326001	CAP - DIESEL FUEL W/LOCK	1	
3		296263412	KEYS	1	Includes Two Keys
4		292038001	SENDER - FUEL LEVEL	1	
		251538001	SENDER - FUEL LEVEL	1	
5		296270843	STRAP - TANK - NYLON - 2.0" X 44.0"	1	
6		903862001	BOLT-WATER TANK HOLD DOWN	1	
7		510337635	WASHER-FLATSAE-.38-.41X.81-16G-YZ	1	
8		235725001	NUT - HEX - .38 - 16 - GR8 - YZ	1	
9		608118001	FITTING-1/4NPTX1/4HOSE BARB90	2	
10		1580001	HOSE CLAMP - 3/8"	4	
11		620001	HOSE - 5/16 FUEL LINE	A/R	P/n Qty Of 1 = 1 Foot
12		296280408	FITTING - FUEL TANK RETURN	1	
13		296280399	FITTING -FILTER-FUEL TANK OUTLET	1	

Fuel Tank Assy Fig 3-3r01

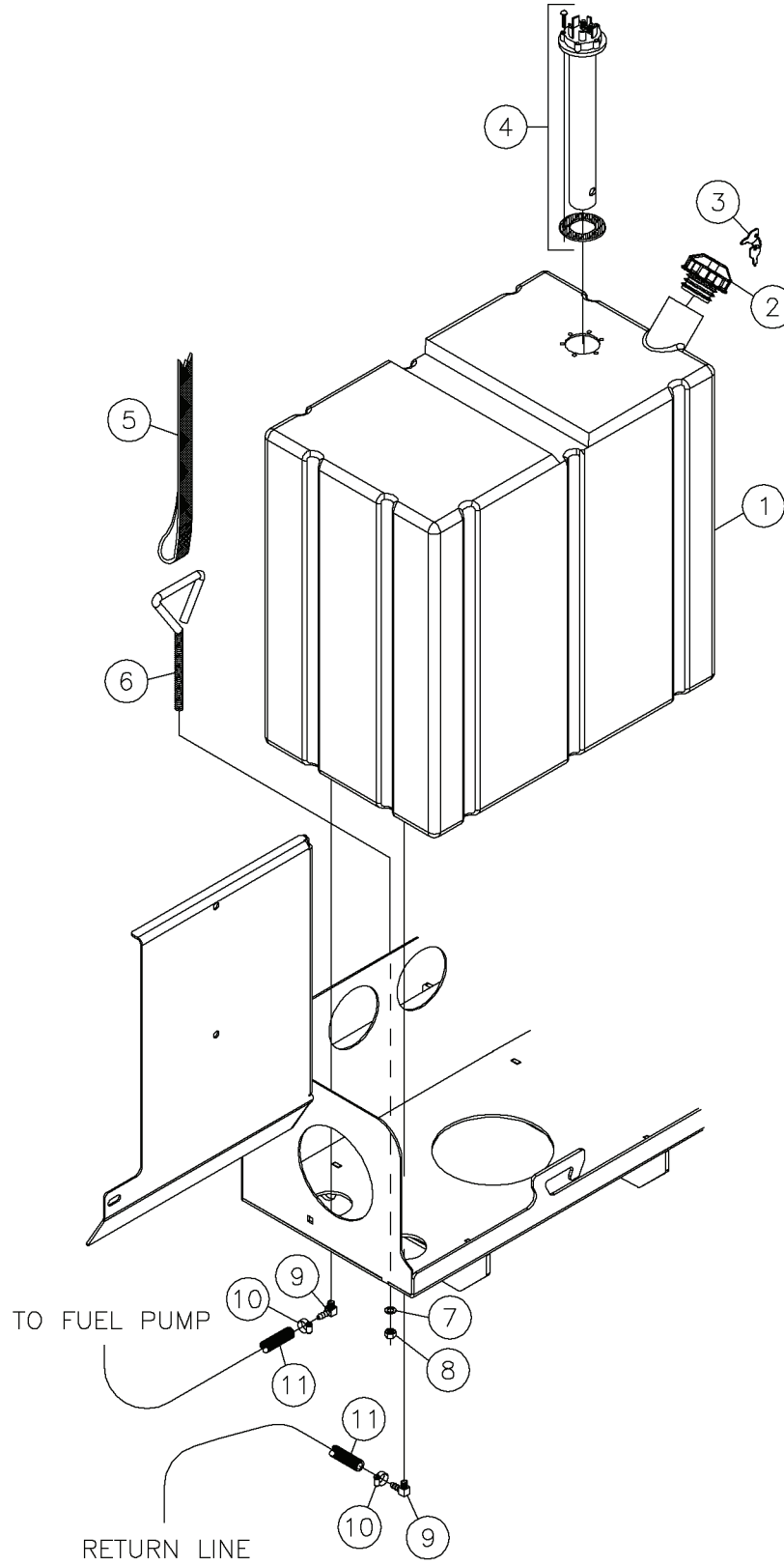




## Fuel Tank Assy Fig 3-3r01

REF. NO.	*	PART NO.	DESCRIPTION	QTY.	REMARKS
		Revision Date	February, 2004		Update In Illustration & Parts List.
1		296260388	TANK - 25 GALLON FUEL	1	
2		279326001	CAP - DIESEL FUEL W/LOCK	1	
3		296263412	KEYS	1	Includes Two Keys
4		292038001	SENDER - FUEL LEVEL	1	
		251538001	SENDER - FUEL LEVEL	1	
5		296270843	STRAP - TANK - NYLON - 2.0" X 44.0"	1	
6		903862001	BOLT-WATER TANK HOLD DOWN	1	
7		510337635	WASHER-FLATSAE-.38-.41X.81-16G-YZ	1	
8		235725001	NUT - HEX - .38 - 16 - GR8 - YZ	1	
9		608118001	FITTING-1/4NPTX1/4HOSE BARB90	2	
10		1580001	HOSE CLAMP - 3/8"	4	
11		620001	HOSE - 5/16 FUEL LINE	A/R	P/n Qty Of 1 = 1 Foot

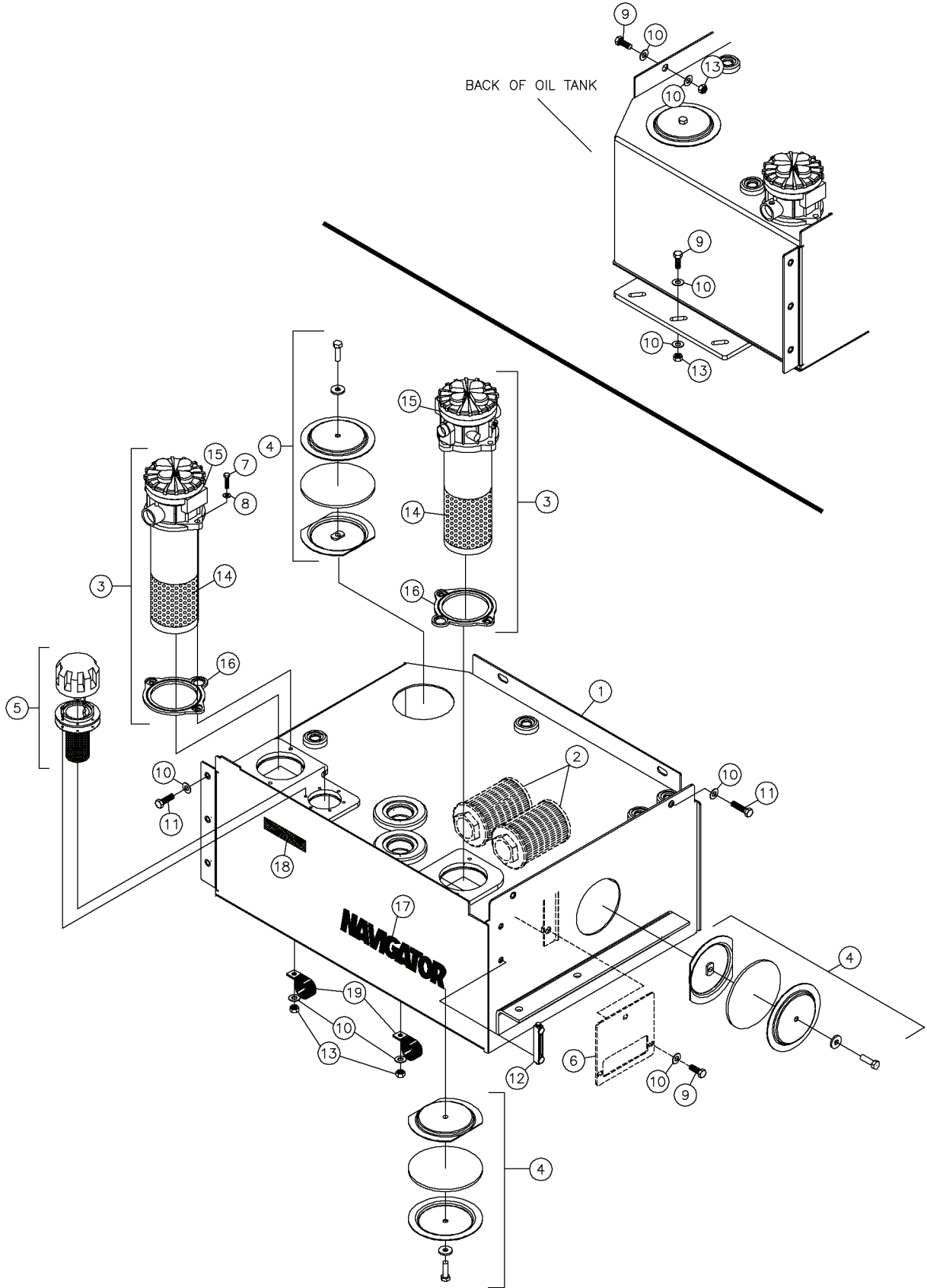
Fuel Tank Assy Fig 3-3



## Fuel Tank Assy Fig 3-3

REF. NO.	*	PART NO.	DESCRIPTION	QTY.	REMARKS
1		296260388	TANK - 25 GALLON FUEL	1	
2		279326001	CAP - DIESEL FUEL W/LOCK	1	
3		296263412	KEYS	1	Includes Two Keys
4		292038001	SENDER - FUEL LEVEL	1	
		251538001	SENDER - FUEL LEVEL	1	
5		296252234	STRAP-TANK-NYLON-42.0"X2.0"	1	
6		903862001	BOLT-WATER TANK HOLD DOWN	1	
7		510337635	WASHER-FLATSAE-.38-.41X.81-16G-YZ	1	
8		235725001	NUT - HEX - .38 - 16 - GR8 - YZ	1	
9		608118001	FITTING-1/4NPTX1/4HOSE BARB90	2	
10		1580001	HOSE CLAMP - 3/8"	4	
11		620001	HOSE - 5/16 FUEL LINE	A/R	P/n Qty Of 1 = 1 Foot

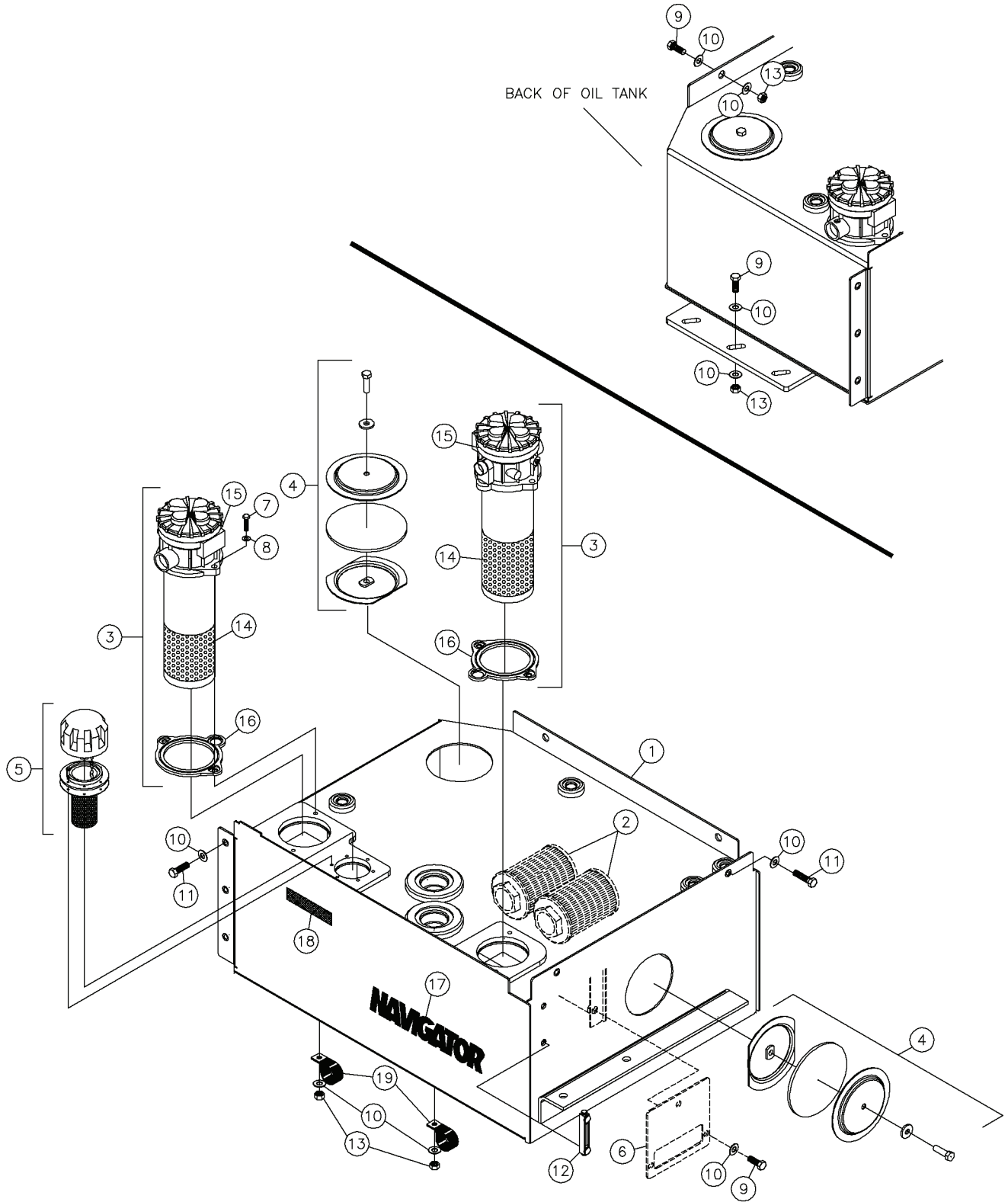
Oil tank Assy Fig 3-4r02



## Oil tank Assy Fig 3-4r02

REF. NO.	*	PART NO.	DESCRIPTION	QTY.	REMARKS
		Revision Date	May, 2005		Update In Illustration & Parts List.
1		296257487	TANK - HYDRAULIC	1	
2		296257237	STRAINER - 20 GPM SUCTION	2	
3		296257188	FILTER - INTANK RETURN	2	Inc Items 14, 15, & 16
4		296257231	COVER - 6" RESERVOIR END	3	
5		296257212	FILLER - 10 MICRON 5 PSI BREATHER	1	
6		296266620	BAFFLE - INLET	1	
7		238209001	BOLT-5/16-18X1 GR8 HEX ZINC YC	4	
8		235714001	WASHER - FLATSTRL - .31 - .34 X .69 - .06-YZ-A325	4	
9		235727001	BOLT-3/8-16X1 GR8 HEX ZINC PLT	12	
10		235713001	WASHER - FLATSTRL - .38 - .41 X .81 - .06-YA-A325	18	
11		235736001	BOLT-3/8-16X1 1/4 ZINC PLTD	7	
12		158158001	SIGHT GAUGE LGZ3 3"	1	
13		235725001	NUT - HEX - .38 - 16 - GR8 - YZ	7	
14		296267169	ELEMENT	2	
15		296267170	O-RING	2	
16		296276763	GASKET	2	
17		70000614	DECAL-MODEL NAVIGATOR (BIG)	1	
18		70000394	DECAL-VERMEER HY POWER	1	
19		2595009	CLAMP-1 1/4 HOSE #7701164	2	

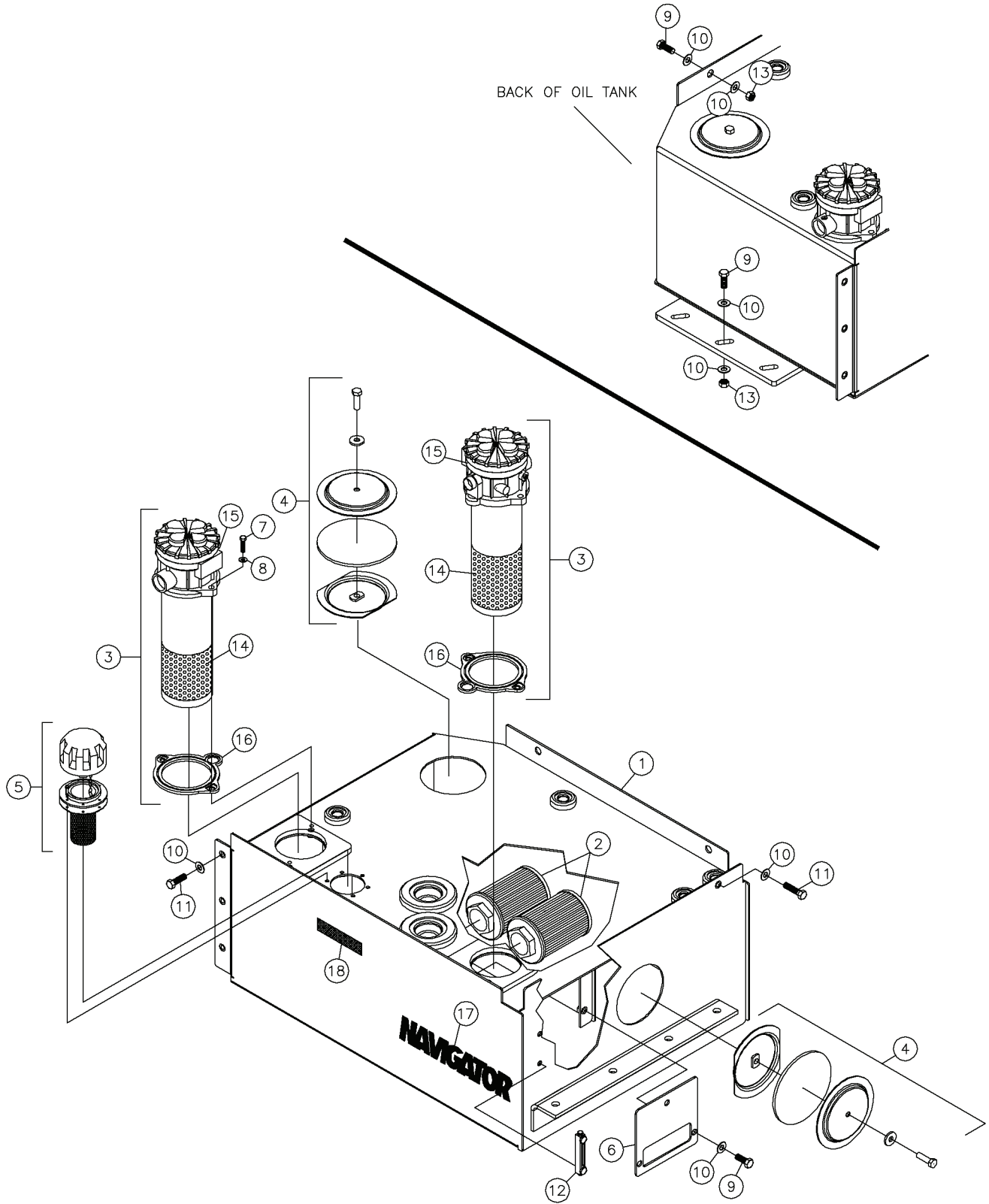
Oil tank Assy Fig 3-4r01



## Oil tank Assy Fig 3-4r01

REF. NO.	*	PART NO.	DESCRIPTION	QTY.	REMARKS
		Revision Date	February, 2004		Update In Illustration & Parts List.
1		296257487	TANK - HYDRAULIC	1	
2		296257237	STRAINER - 20 GPM SUCTION	2	
3		296257188	FILTER - INTANK RETURN	2	Inc Items 14, 15, & 16
4		296257231	COVER - 6" RESERVOIR END	2	
5		296257212	FILLER - 10 MICRON 5 PSI BREATHER	1	
6		296266620	BAFFLE - INLET	1	
7		238209001	BOLT-5/16-18X1 GR8 HEX ZINC YC	4	
8		235714001	WASHER - FLATSTRL - .31 - .34 X .69 - .06-YZ-A325	4	
9		235727001	BOLT-3/8-16X1 GR8 HEX ZINC PLT	12	
10		235713001	WASHER - FLATSTRL - .38 - .41 X .81 - .06-YA-A325	18	
11		235736001	BOLT-3/8-16X1 1/4 ZINC PLTD	7	
12		158158001	SIGHT GAUGE LGZ3 3"	1	
13		235725001	NUT - HEX - .38 - 16 - GR8 - YZ	7	
14		296267169	ELEMENT	2	
15		296267170	O-RING	2	
16		NSS	GASKET	2	NSS-Not Sold Seperate
17		70000614	DECAL-MODEL NAVIGATOR (BIG)	1	
18		70000394	DECAL-VERMEER HY POWER	1	
19		2595009	CLAMP-1 1/4 HOSE #7701164	2	

Oil tank Assy Fig 3-4

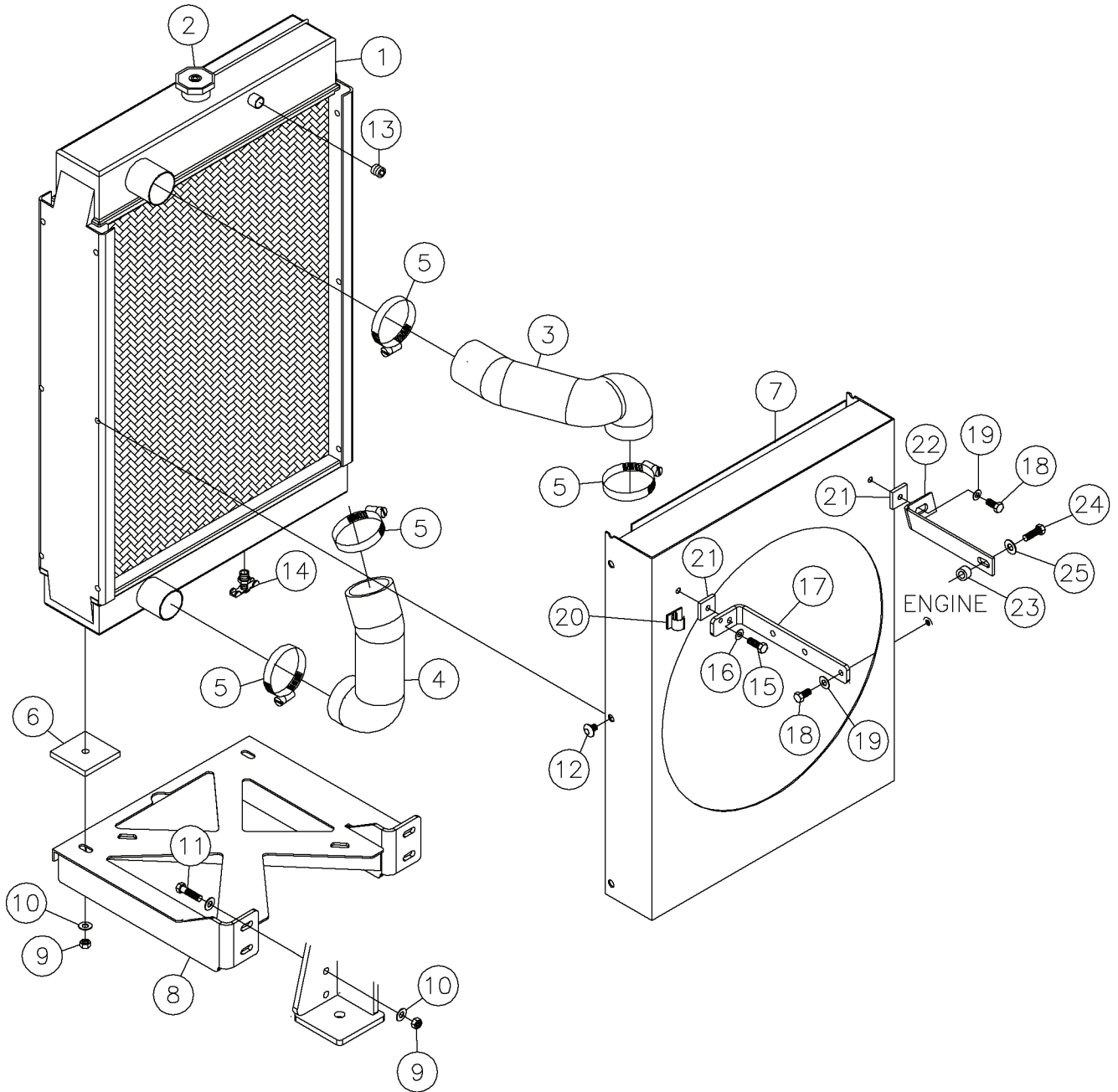




## Oil tank Assy Fig 3-4

REF. NO.	*	PART NO.	DESCRIPTION	QTY.	REMARKS
1		296257487	TANK - HYDRAULIC	1	
2		296257237	STRAINER - 20 GPM SUCTION	2	
3		296257188	FILTER - INTANK RETURN	2	Inc Items 14, 15, & 16
4		296257231	COVER - 6" RESERVOIR END	2	
5		296257212	FILLER - 10 MICRON 5 PSI BREATHER	1	
6		296266620	BAFFLE - INLET	1	
7		238209001	BOLT-5/16-18X1 GR8 HEX ZINC YC	4	
8		235714001	WASHER - FLATSTRL - .31 - .34 X .69 - .06-YZ-A325	4	
9		235727001	BOLT-3/8-16X1 GR8 HEX ZINC PLT	12	
10		235713001	WASHER - FLATSTRL - .38 - .41 X .81 - .06-YA-A325	18	
11		235736001	BOLT-3/8-16X1 1/4 ZINC PLTD	5	
12		158158001	SIGHT GAUGE LGZ3 3"	1	
13		235725001	NUT - HEX - .38 - 16 - GR8 - YZ	5	
14		296267169	ELEMENT	2	
15		296267170	O-RING	2	
16		NSS	GASKET	2	NSS-Not Sold Seperate
17		70000614	DECAL-MODEL NAVIGATOR (BIG)	1	
18		70000394	DECAL-VERMEER HY POWER	1	

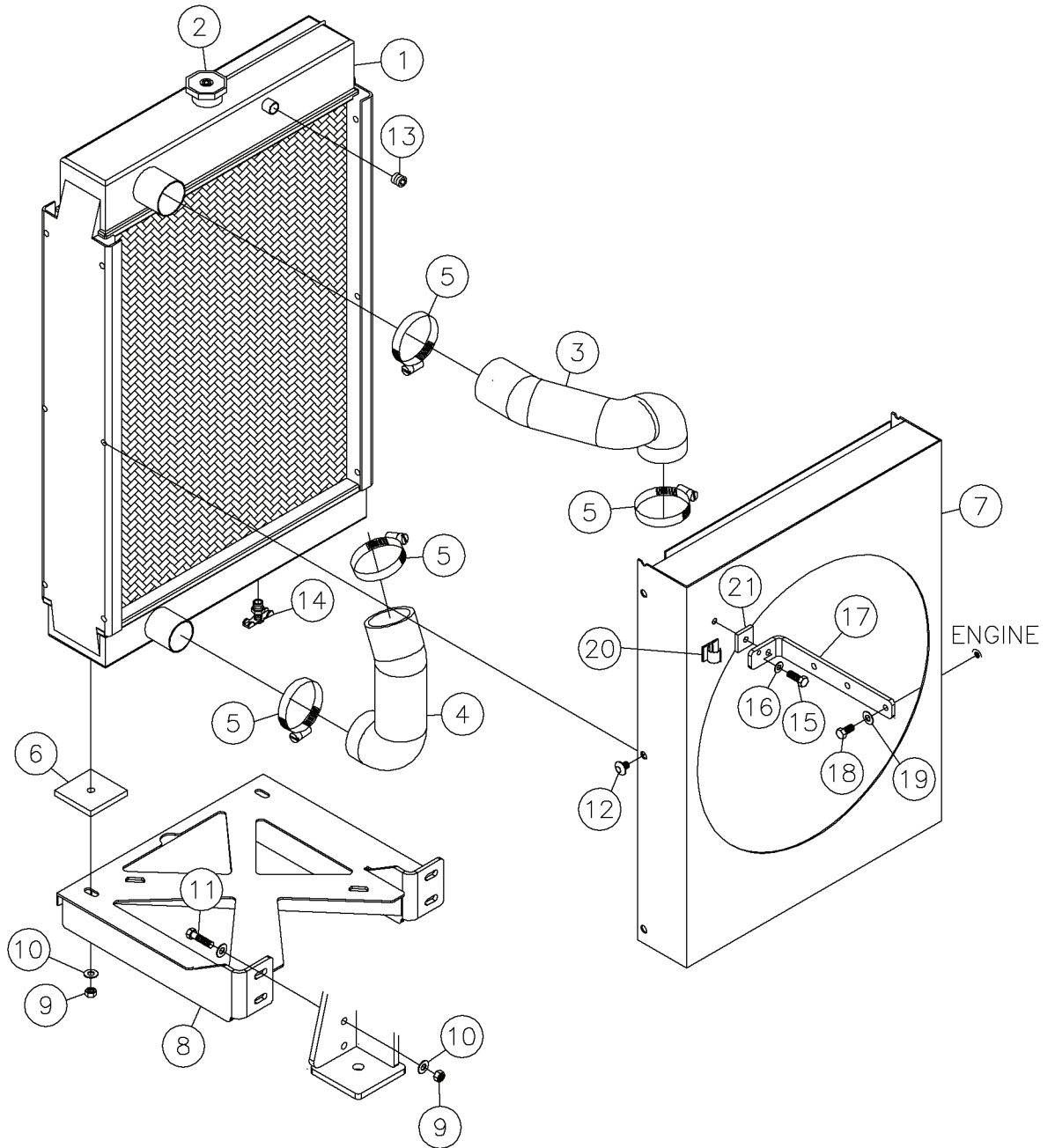
Radiator Assy Fig 3-5r02



## Radiator Assy Fig 3-5r02

REF. NO.	*	PART NO.	DESCRIPTION	QTY.	REMARKS
		Revision Date	May, 2005		Update In Illustration & Parts List.
1		296257183	RADIATOR	1	
2		256004003	CAP-RADIATOR (10LBS.)	1	
3		296269026	HOSE - UPPER RADIATOR	1	
4		296269025	HOSE - LOWER RADIATOR	1	
5		1580013	HOSE CLAMP - 2 1/2"	4	
6		234690001	RUBBER-RADIATOR MOUNT	2	
7		296267171	SHROUD	1	
8		296266606	MOUNT - RADIATOR	1	
9		250508001	NUT - 3/8-NC Gr8 TOP LOCK Y/ZINC	10	
10		235713001	WASHER - FLATSTRL - .38 - .41 X .81 - .06-YA-A325	6	
11		235723001	SCREW - HCS -.38 - 16 X 1.50 - GR8 - YZ	4	
12		296270852	SCREW-SBHCS-5/16-18 X .50 - GR8-YZ	12	
13		282126001	FITTING - 1/4 BRASS HEX PLUG	1	
14		251501003	PETCOCK	1	
15		238209001	BOLT-5/16-18X1 GR8 HEX ZINC YC	1	
16		235714001	WASHER - FLATSTRL - .31 - .34 X .69 - .06-YZ-A325	1	
17		296266646	BAR - RADIATOR BRACE	1	
18		235719001	BOLT-M8X15MM DIN933 10.9 ZN PL	2	
19		235714001	WASHER - FLATSTRL - .31 - .34 X .69 - .06-YZ-A325	2	
20		279318001	CLAMP - ADHESIVE MOUNT	3	
21		296270853	RUBBER - RADIATOR SUPPORT	2	
22		296275016	BRACE - RADIATOR	1	
23		1074007	TUBE-3/4"ODX7/16"ID-1/2"	1	
24		250603001	BOLT-10M X 30M 10.9 HEX Y/ZINC	1	
25		250515001	7/16 HARD WASHER SAE Y/ZINC	1	

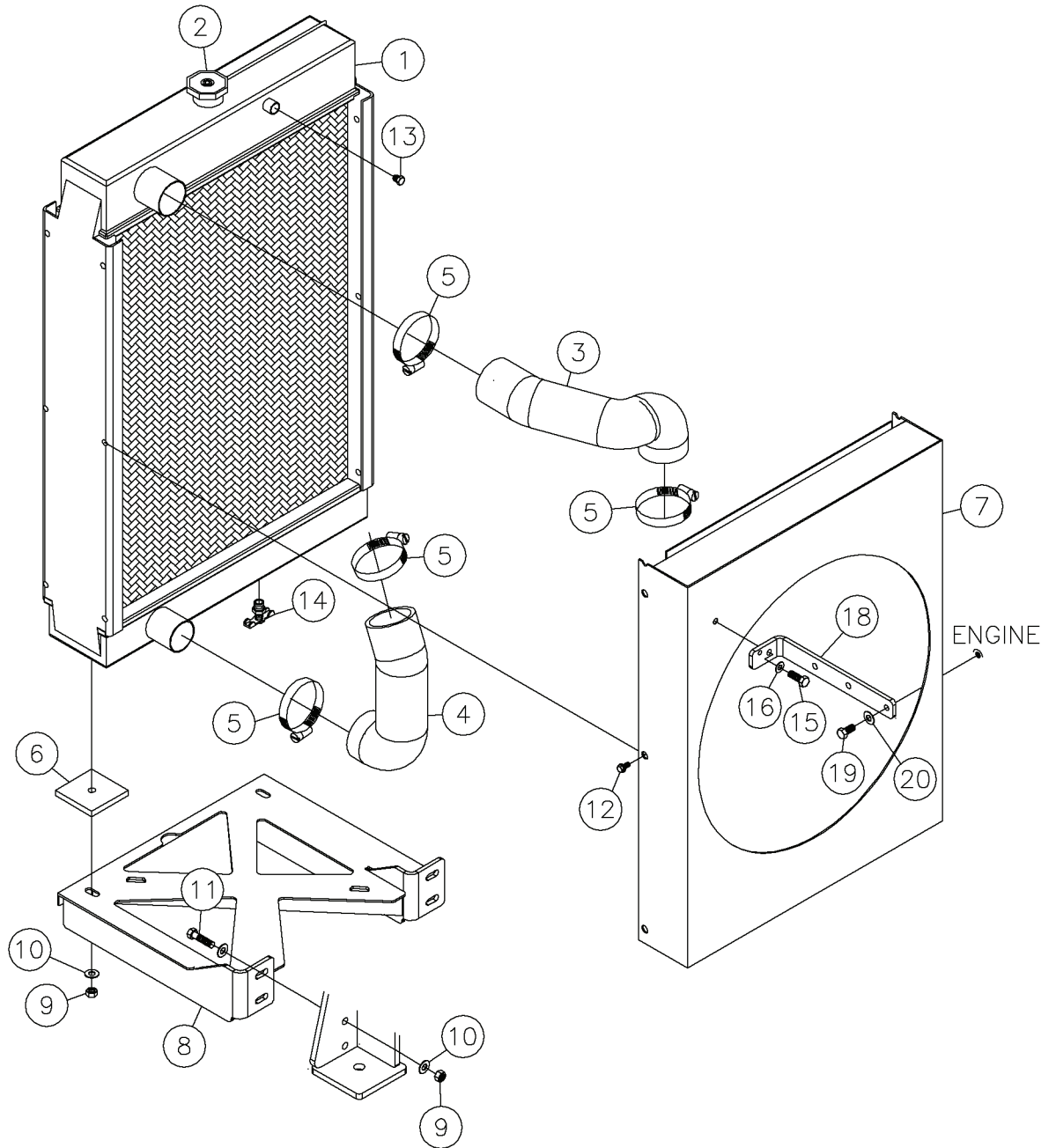
Radiator Assy Fig 3-5r01



## Radiator Assy Fig 3-5r01

REF. NO.	*	PART NO.	DESCRIPTION	QTY.	REMARKS
		Revision Date	February, 2004		Update In Illustration & Parts List.
1		296257183	RADIATOR	1	
2		256004003	CAP-RADIATOR (10LBS.)	1	
3		296269026	HOSE - UPPER RADIATOR	1	
4		296269025	HOSE - LOWER RADIATOR	1	
5		1580013	HOSE CLAMP - 2 1/2"	4	
6		234690001	RUBBER-RADIATOR MOUNT	2	
7		296267171	SHROUD	1	
8		296266606	MOUNT - RADIATOR	1	
9		250508001	NUT - 3/8-NC Gr8 TOP LOCK Y/ZINC	10	
10		235713001	WASHER - FLATSTRL - .38 - .41 X .81 - .06-YA-A325	6	
11		235723001	SCREW - HCS -.38 - 16 X 1.50 - GR8 - YZ	4	
12		296270852	SCREW-SBHCS-5/16-18 X .50 - GR8-YZ	12	
13		282126001	FITTING - 1/4 BRASS HEX PLUG	1	
14		251501003	PETCOCK	1	
15		238209001	BOLT-5/16-18X1 GR8 HEX ZINC YC	1	
16		235714001	WASHER - FLATSTRL - .31 - .34 X .69 - .06-YZ-A325	1	
17		296266646	BAR - RADIATOR BRACE	1	
18		235719001	BOLT-M8X15MM DIN933 10.9 ZN PL	1	
19		235714001	WASHER - FLATSTRL - .31 - .34 X .69 - .06-YZ-A325	1	
20		279318001	CLAMP - ADHESIVE MOUNT	3	
21		296270853	RUBBER - RADIATOR SUPPORT	1	

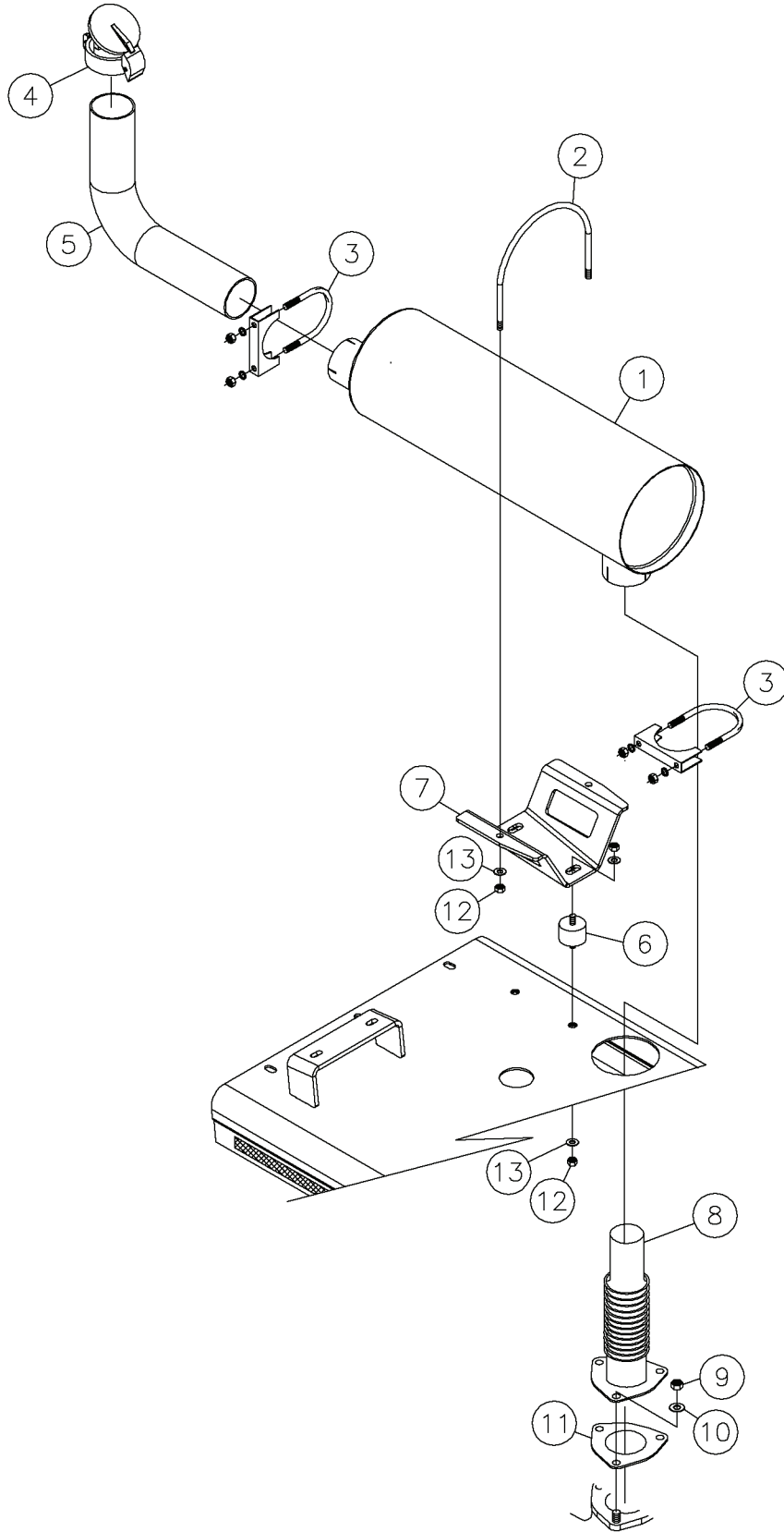
Radiator Assy Fig 3-5



## Radiator Assy Fig 3-5

REF. NO.	*	PART NO.	DESCRIPTION	QTY.	REMARKS
1		296257183	RADIATOR	1	
2		256004003	CAP-RADIATOR (10LBS.)	1	
3		296269026	HOSE - UPPER RADIATOR	1	
4		296269025	HOSE - LOWER RADIATOR	1	
5		1580013	HOSE CLAMP - 2 1/2"	4	
6		234690001	RUBBER-RADIATOR MOUNT	2	
7		296267171	SHROUD	1	
8		296266606	MOUNT - RADIATOR	1	
9		250508001	NUT - 3/8-NC Gr8 TOP LOCK Y/ZINC	10	
10		235713001	WASHER - FLATSTRL - .38 - .41 X .81 - .06-YA-A325	6	
11		235723001	SCREW - HCS - .38 - 16 X 1.50 - GR8 - YZ	4	
12		235742001	BOLT-5/16-18X3/4 GR8 ZINC PLTD	1	
13		504549001	PIPE PLUG-1/4 HEX HEAD STEEL	1	
14		251501003	PETCOCK	1	
15		238209001	BOLT-5/16-18X1 GR8 HEX ZINC YC	1	
16		235714001	WASHER - FLATSTRL - .31 - .34 X .69 - .06-YZ-A325	1	
17		296266646	BAR - RADIATOR BRACE	1	
18		235719001	BOLT-M8X15MM DIN933 10.9 ZN PL	1	
19		235714001	WASHER - FLATSTRL - .31 - .34 X .69 - .06-YZ-A325	1	

Muffler Assy Fig 3-6r01

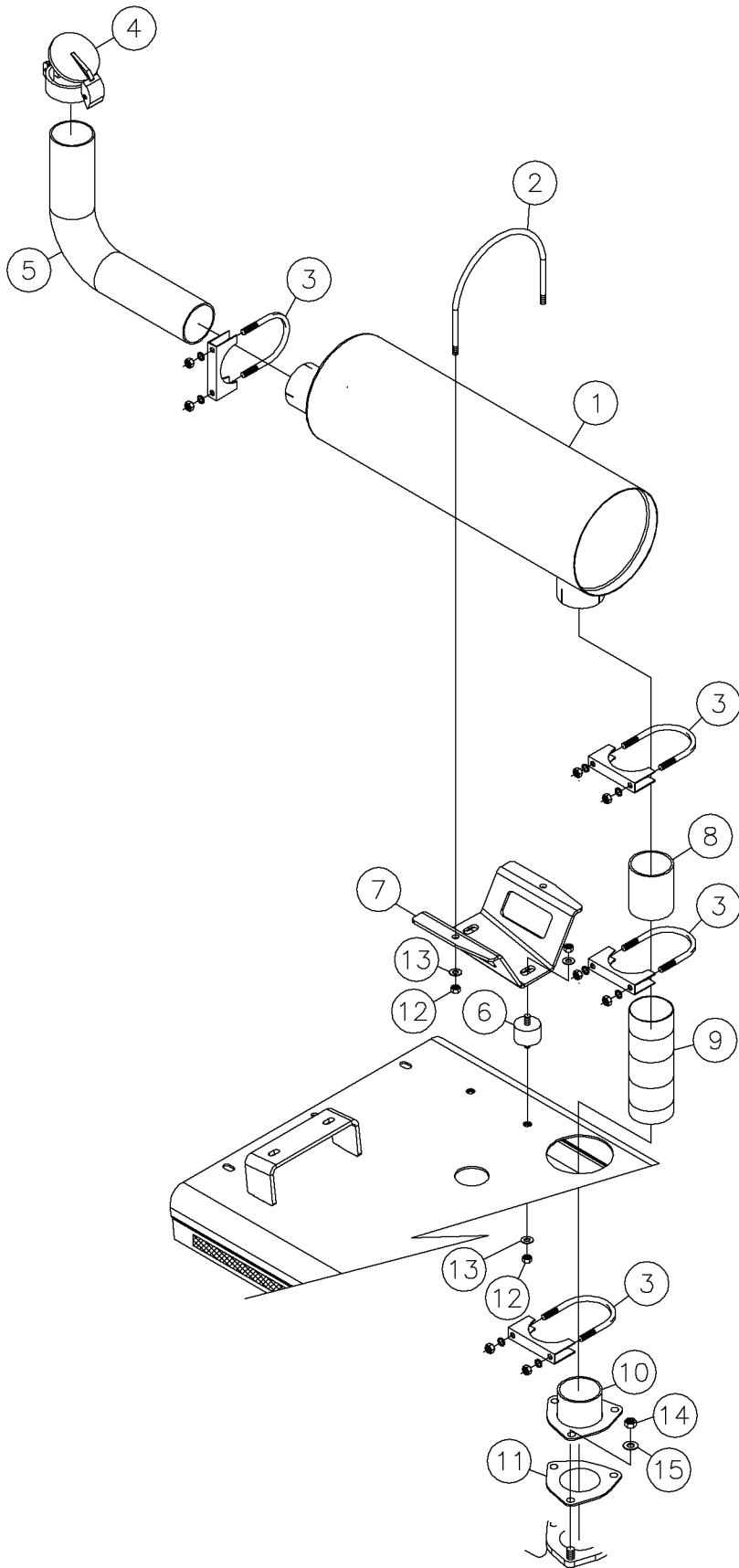




## Muffler Assy Fig 3-6r01

REF. NO.	*	PART NO.	DESCRIPTION	QTY.	REMARKS
		Revision Date	May, 2005		Update In Illustration & Parts List.
1		96057001	MUFFLER-STYLE 3 2.5 INLET	1	
2		93866001	ROD	1	
3		2609007	MUFFLER CLAMP-2 1/2"	2	
4		2633001	RAIN CAP - #7 2 1/2"	1	
5		296269252	TUBE - EXHAUST	1	
6		289068001	MOUNT - CYLINDRICAL ISOLATOR 1.5 OD X 1.0 H	2	
7		296266665	MOUNT - MUFFLER	1	
8		296275089	PIPE - FLEX 2- 1/2"	1	
9		235731001	NUT-1/2-13 GR8 ZINC PLTD	3	
10		485025	WASHER-1/2 FLAT-HARDENED-ZINC	3	
11		296267234	GASKET	1	
12		235741001	NUT - HEX - .31 - 18 - GR8 -YZ	6	
13		510337605	WASHER-FLATSTD-.31-.38X.88-.08-YZ	6	

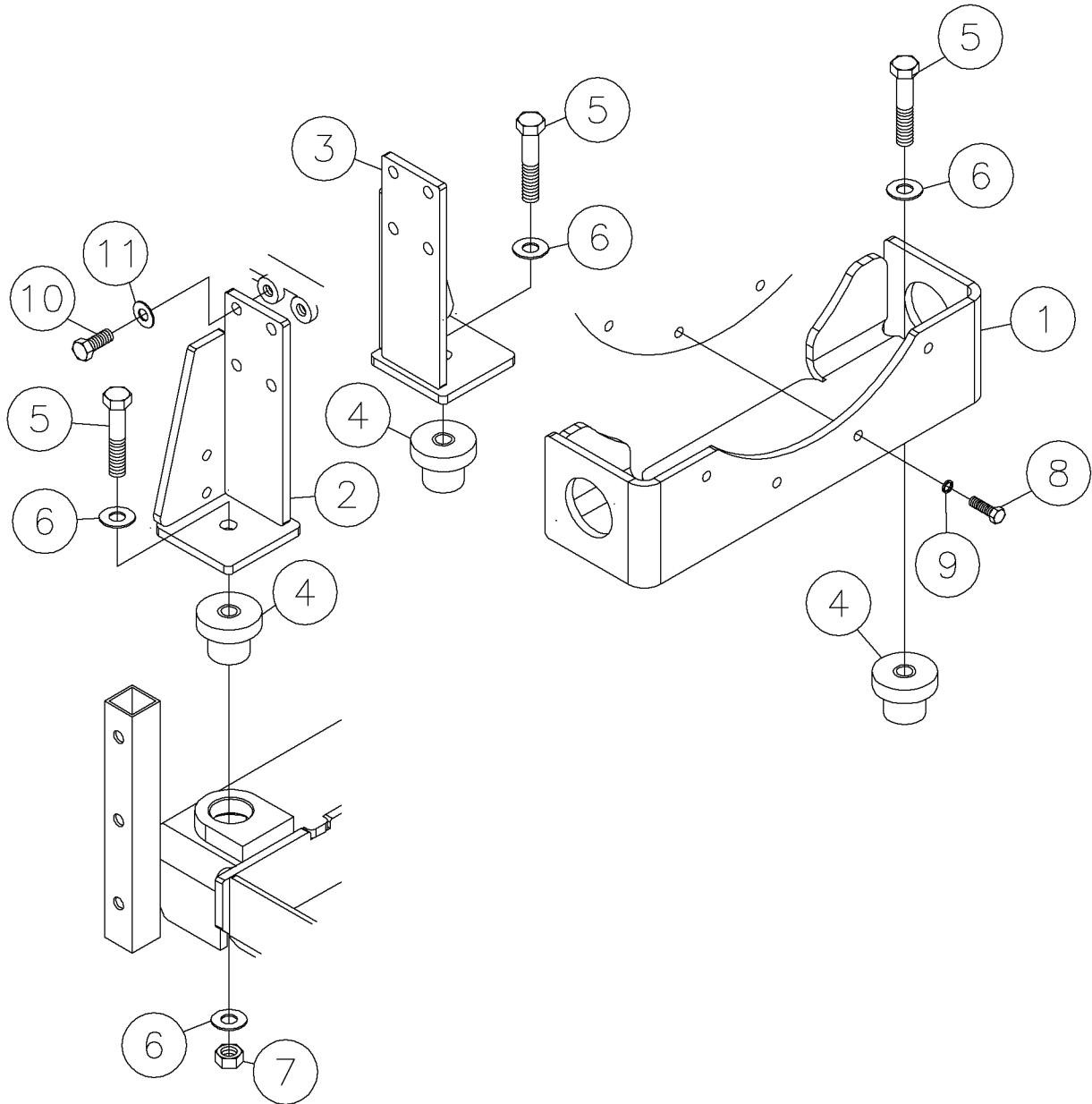
Muffler Assy Fig 3-6



## Muffler Assy Fig 3-6

REF. NO.	*	PART NO.	DESCRIPTION	QTY.	REMARKS
1		96057001	MUFFLER-STYLE 3 2.5 INLET	1	
2		93866001	ROD	1	
3		2609007	MUFFLER CLAMP-2 1/2"	4	
4		2633001	RAIN CAP - #7 2 1/2"	1	
5		296269252	TUBE - EXHAUST	1	
6		289068001	MOUNT - CYLINDRICAL ISOLATOR 1.5 OD X 1.0 H	2	
7		296266665	MOUNT - MUFFLER	1	
8		296269257	TUBE - 2 1/2 OD X 12 GA. - 3.00	1	
9		296269274	TUBE - 2 1/2 ID X 7.50 FLEX	1	
10		296269256	FLANGE - EXHAUST	1	
11		296267234	GASKET	1	
12		235741001	NUT - HEX - .31 - 18 - GR8 -YZ	6	
13		510337605	WASHER-FLATSTD-.31-.38X.88-.08-YZ	6	
14		235731001	NUT-1/2-13 GR8 ZINC PLTD	3	
15		485025	WASHER-1/2 FLAT-HARDENED-ZINC	3	

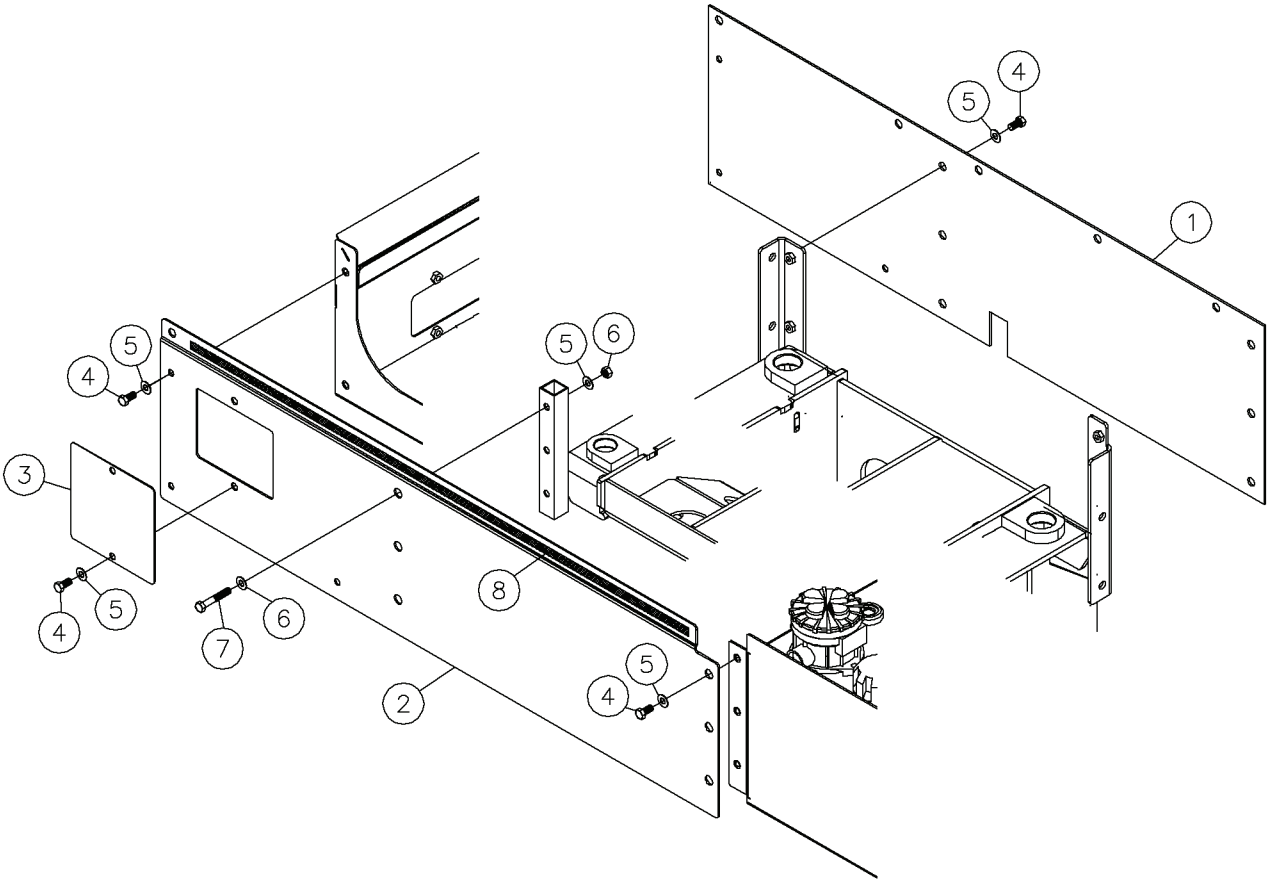
Engine Mount Assy Fig 3-7



## Engine Mount Assy Fig 3-7

REF. NO.	*	PART NO.	DESCRIPTION	QTY.	REMARKS
1		296266596	MOUNT - FRONT ENGINE	1	
2		296257450	MOUNT - RT REAR ENGINE	1	
3		296257435	MOUNT - REAR ENGINE (LH)	1	
4		2607001	MOUNT - M501-70NR	4	
5		236443001	BOLT-5/8-11X3 1/4 GR8 HEX ZNC	4	
6		235715001	WASHER-5/8 SAE HARD ZINC PLTD	8	
7		250513001	NUT - 5/8NC Gr8 TOP LOCK Y/ZINC	4	
8		507092035	SCREW-HCS,M10-1.50X35,8.8,YZ,ISO4017,FT	4	
9		506047010	WASHER-LOCK,M10,YZ,D127B	4	
10		24772001	BOLT-12M X 35 GR. 8.8 HEX HEAD	8	
11		250515001	7/16 HARD WASHER SAE Y/ZINC	8	

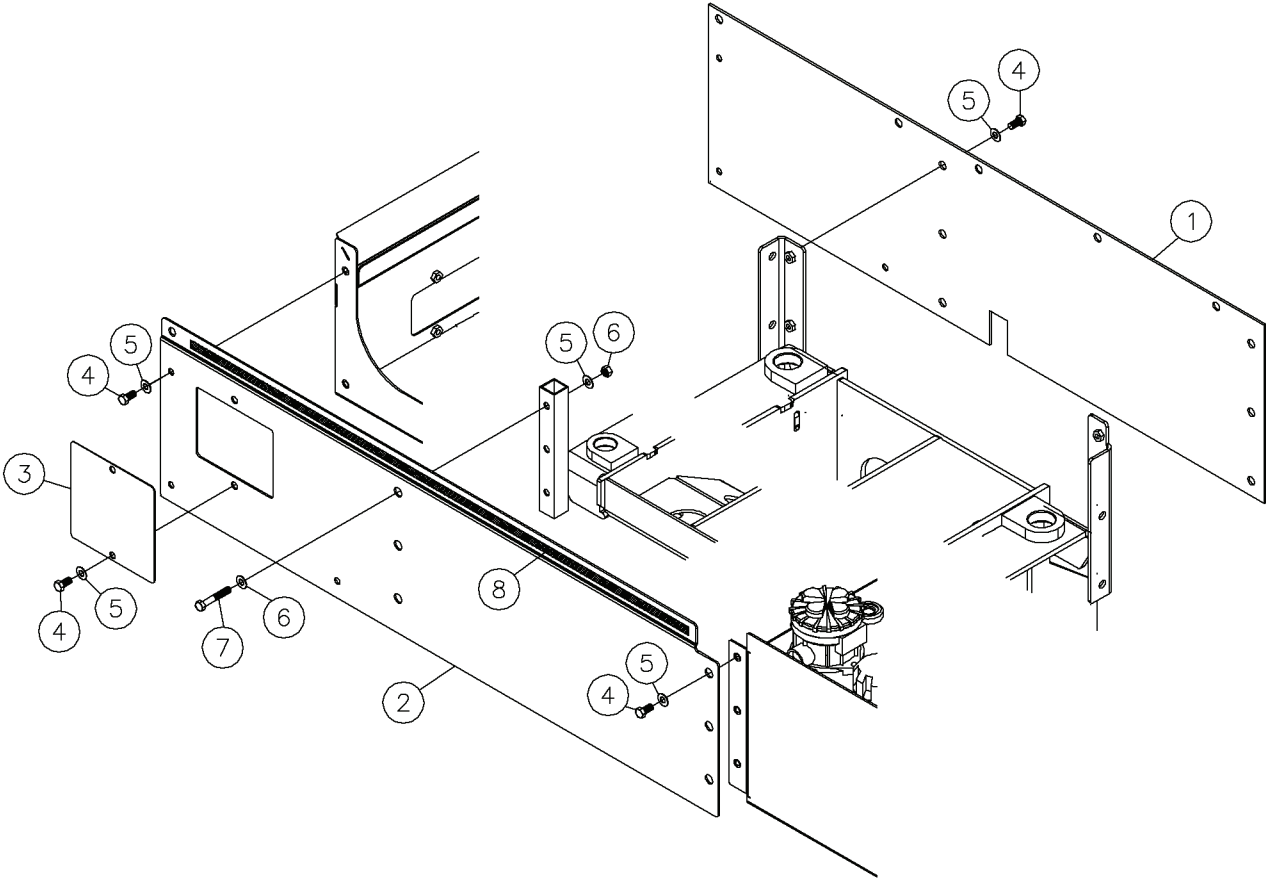
Side Shield Assy Fig 4-1r02



## Side Shield Assy Fig 4-1r02

REF. NO.	*	PART NO.	DESCRIPTION	QTY.	REMARKS
		Revision Date	June, 2004		Update In Illustration & Parts List.
1		296257488	SHROUD - LOWER RADIATOR	1	
2		296270810	SHROUD - LOWER RADIATOR	1	
3		296275045	COVER - ACCESS	1	
4		235726001	BOLT-3/8-16X3/4 GR8 HEX ZNCPLT	15	
5		235713001	WASHER - FLATSTRL - .38 - .41 X .81 - .06-YA-A325	18	
6		235725001	NUT - HEX - .38 - 16 - GR8 - YZ	3	
7		235736001	BOLT-3/8-16X1 1/4 ZINC PLTD	3	
8		245059001	TAPE-URETHANE .75"WX 36 YD ROL	A/R	P/N Qty. Of 1 = 1 Foot

Side Shield Assy Fig 4-1r01

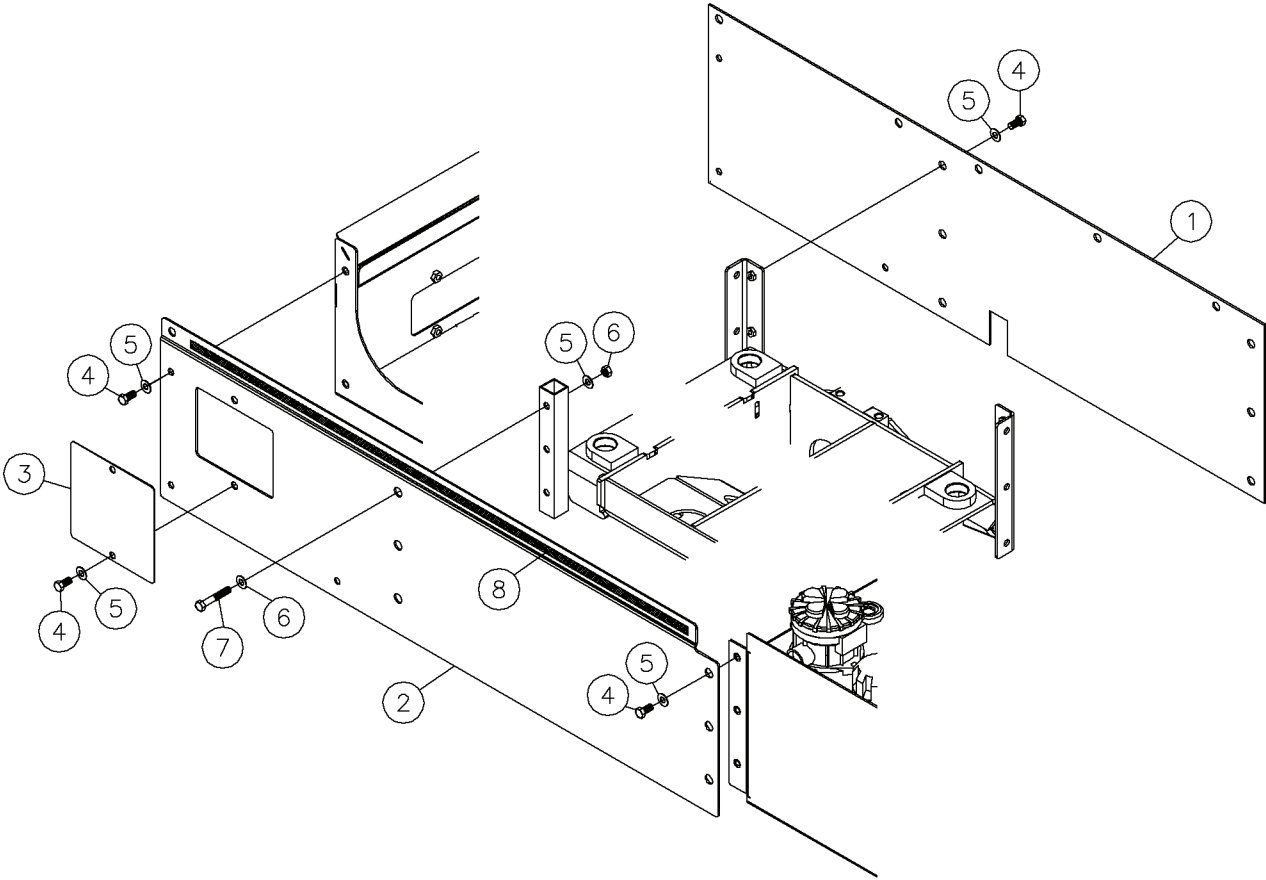




## Side Shield Assy Fig 4-1r01

REF. NO.	*	PART NO.	DESCRIPTION	QTY.	REMARKS
		Revision Date	February, 2004		Update In Illustration & Parts List.
1		296257488	SHROUD - LOWER RADIATOR	1	
2		296270810	SHROUD - LOWER RADIATOR	1	
3		296266664	COVER - ACCESS	1	
4		235726001	BOLT-3/8-16X3/4 GR8 HEX ZNCPLT	15	
5		235713001	WASHER - FLATSTRL - .38 - .41 X .81 - .06-YA-A325	18	
6		235725001	NUT - HEX - .38 - 16 - GR8 - YZ	3	
7		235736001	BOLT-3/8-16X1 1/4 ZINC PLTD	3	
8		245059001	TAPE-URETHANE .75"WX 36 YD ROL	A/R	P/N Qty. Of 1 = 1 Foot

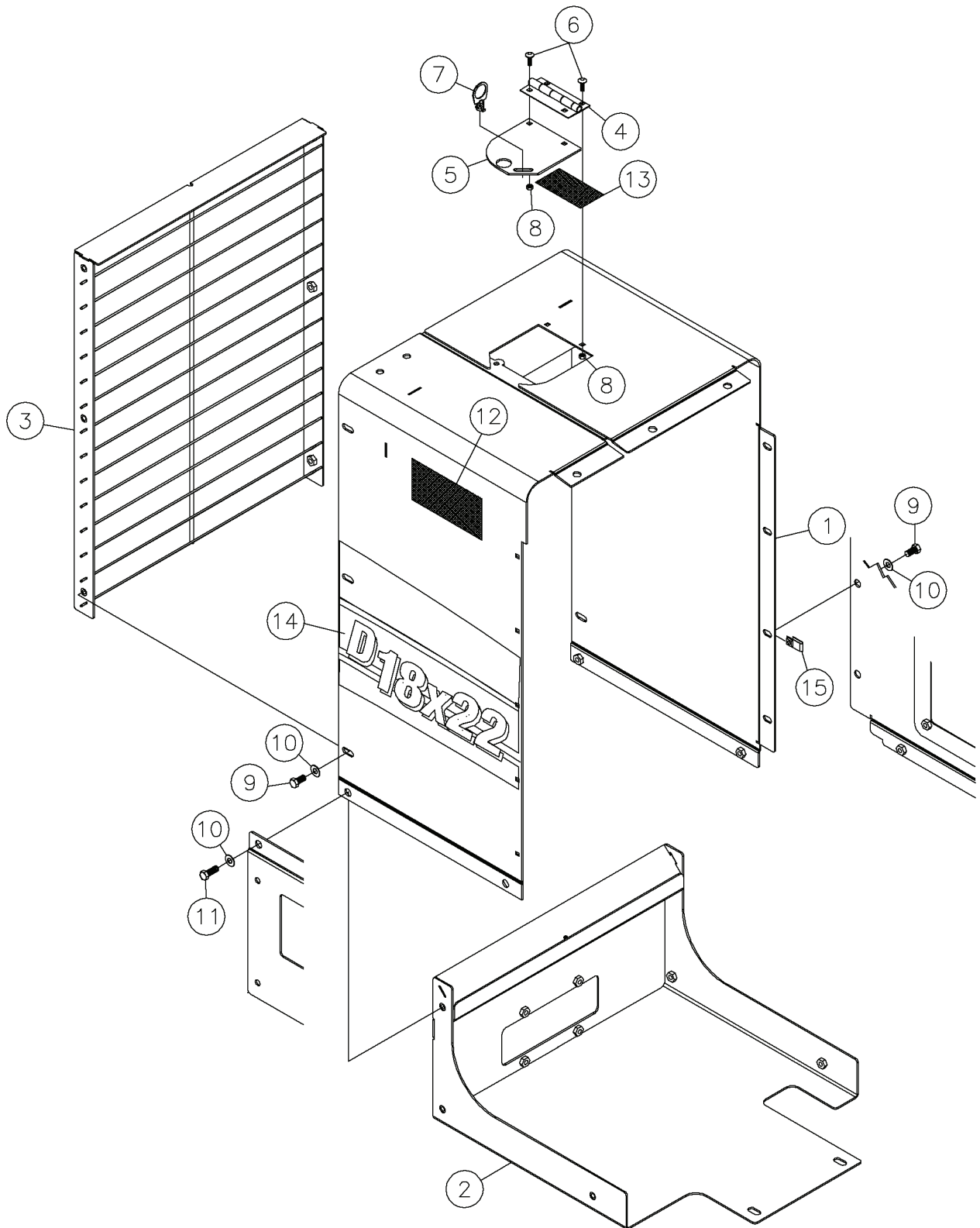
Side Shield Assy Fig 4-1



## Side Shield Assy Fig 4-1

REF. NO.	*	PART NO.	DESCRIPTION	QTY.	REMARKS
1		296257488	SHROUD - LOWER RADIATOR	1	
2		296270810	SHROUD - LOWER RADIATOR	1	
3		296266664	COVER - ACCESS	1	
4		235726001	BOLT-3/8-16X3/4 GR8 HEX ZNCPLT	15	
5		235713001	WASHER - FLATSTRL - .38 - .41 X .81 - .06-YA-A325	18	
6		235725001	NUT - HEX - .38 - 16 - GR8 - YZ	3	
7		235736001	BOLT-3/8-16X1 1/4 ZINC PLTD	3	
8		245059001	TAPE-URETHANE .75"WX 36 YD ROL	A/R	P/N Qty. Of 1 = 1 Foot

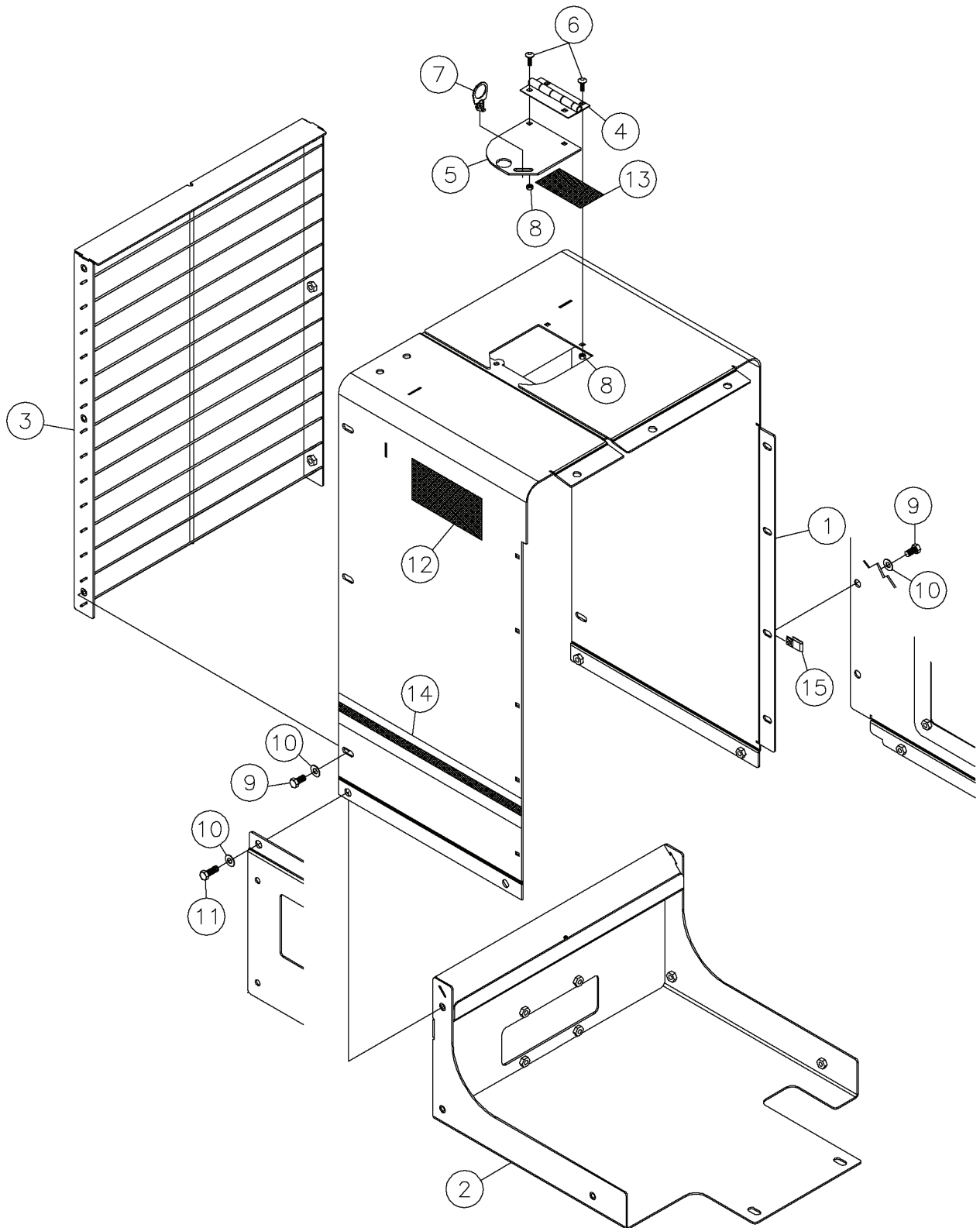
Rear Shield Assy Fig 4-2r02



## Rear Shield Assy Fig 4-2r02

REF. NO.	*	PART NO.	DESCRIPTION	QTY.	REMARKS
		Revision Date	May, 2005		Update In Illustration & Parts List.
1		296257471	SHROUD - RADIATOR	1	
2		296266610	SHIELD - LOWER RADIATOR	1	
3		296266613	DIVERTER - RADIATOR AIR	1	
4		251524001	HINGE - DOOR	1	
5		296270806	DOOR-RADIATOR CAP	1	
6		373005	BOLT-1/4-20X5/8 GR5 CARRIAGE	4	
7		86113001	FASTENER-1/4 TURN	1	
8		1809005	NUT-1/4 SM FLGE T.L.	4	
9		235726001	BOLT-3/8-16X3/4 GR8 HEX ZNCPLT	12	
10		235713001	WASHER - FLATSTRL - .38 - .41 X .81 - .06-YA-A325	16	
11		235727001	BOLT-3/8-16X1 GR8 HEX ZINC PLT	4	
12		7000A576	DECAL-DANGER	1	
		700IA576	DECAL-DANGER	1	International
13		2326315	DECAL-WARNING	1	
		2326I315	DECAL-WARNING	1	International
14		7000C461	DECAL - D18X22 RIGHT STRIPE	1	S/N 329 & Up
15		13323001	NUT - PANEL - 3/8-16 U-CLIP	7	

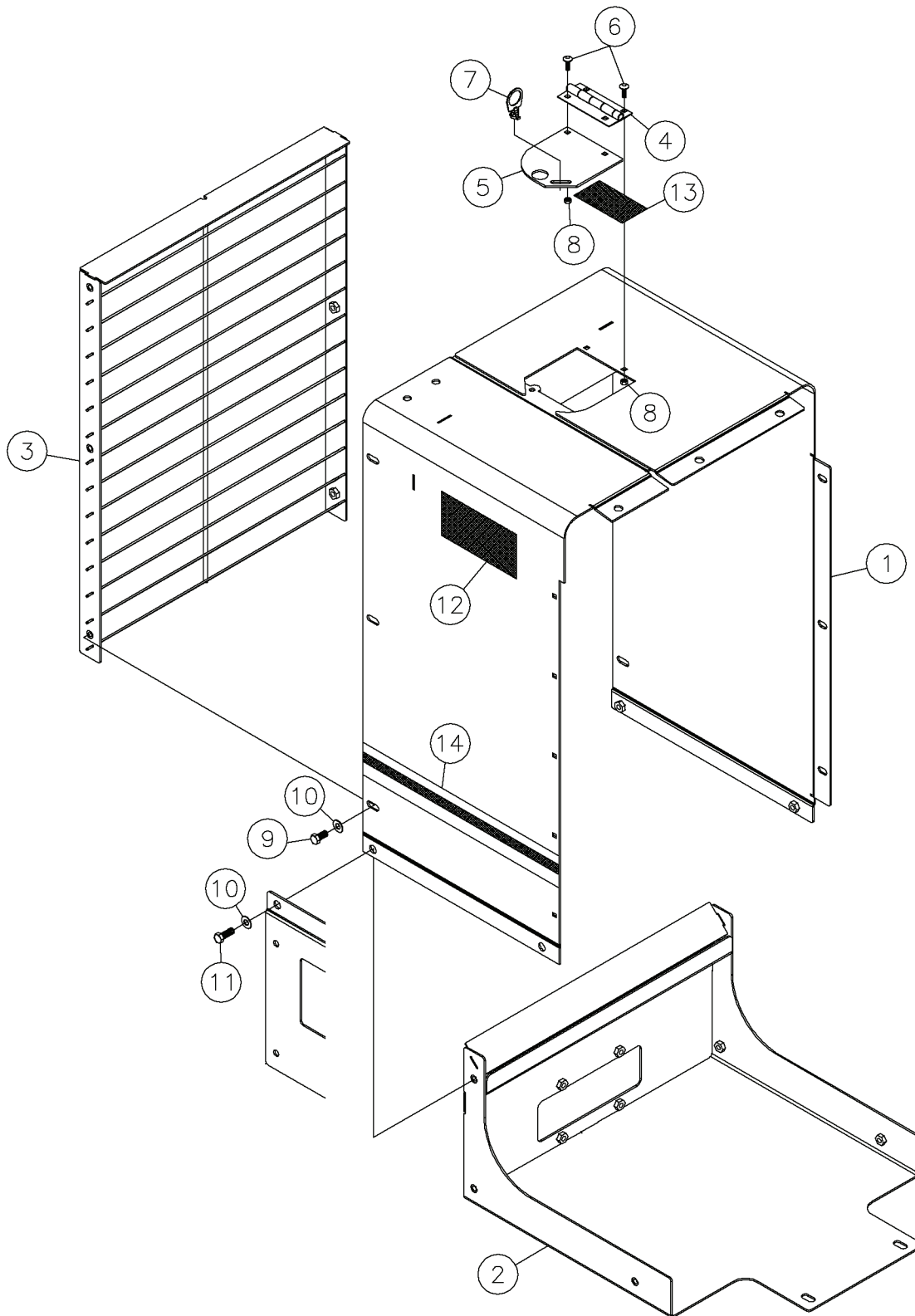
Rear Shield Assy Fig 4-2r01



## Rear Shield Assy Fig 4-2r01

REF. NO.	*	PART NO.	DESCRIPTION	QTY.	REMARKS
		Revision Date	June, 2004		Update In Illustration & Parts List.
1		296257471	SHROUD - RADIATOR	1	
2		296266610	SHIELD - LOWER RADIATOR	1	
3		296266613	DIVERTER - RADIATOR AIR	1	
4		251524001	HINGE - DOOR	1	
5		296270806	DOOR-RADIATOR CAP	1	
6		373005	BOLT-1/4-20X5/8 GR5 CARRIAGE	4	
7		86113001	FASTENER-1/4 TURN	1	
8		1809005	NUT-1/4 SM FLGE T.L.	4	
9		235726001	BOLT-3/8-16X3/4 GR8 HEX ZNCPLT	12	
10		235713001	WASHER - FLATSTRL - .38 - .41 X .81 - .06-YA-A325	16	
11		235727001	BOLT-3/8-16X1 GR8 HEX ZINC PLT	4	
12		7000A576	DECAL-DANGER	1	
		700IA576	DECAL-DANGER	1	International
13		2326315	DECAL-WARNING	1	
		2326I315	DECAL-WARNING	1	International
14		70000775	DECAL 3"VERMEER STRIPE	A/R	P/N Qty. Of 1 = 1 Foot
15		13323001	NUT - PANEL - 3/8-16 U-CLIP	7	

Rear Shield Assy Fig 4-2

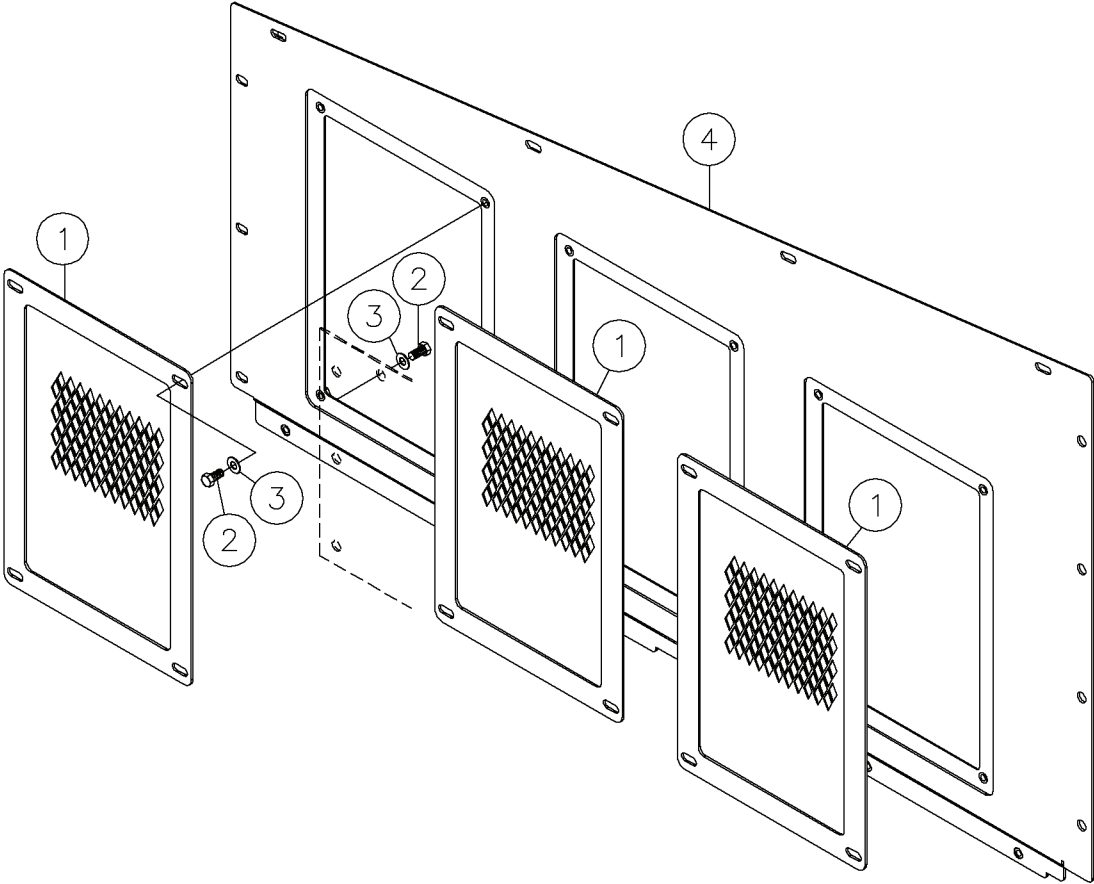




## Rear Shield Assy Fig 4-2

REF. NO.	*	PART NO.	DESCRIPTION	QTY.	REMARKS
1		296257471	SHROUD - RADIATOR	1	
2		296266610	SHIELD - LOWER RADIATOR	1	
3		296266613	DIVERTER - RADIATOR AIR	1	
4		251524001	HINGE - DOOR	1	
5		296270806	DOOR-RADIATOR CAP	1	
6		373005	BOLT-1/4-20X5/8 GR5 CARRIAGE	4	
7		86113001	FASTENER-1/4 TURN	1	
8		1809005	NUT-1/4 SM FLGE T.L.	4	
9		235726001	BOLT-3/8-16X3/4 GR8 HEX ZNCPLT	6	
10		235713001	WASHER - FLATSTRL - .38 - .41 X .81 - .06-YA-A325	10	
11		235727001	BOLT-3/8-16X1 GR8 HEX ZINC PLT	4	
12		7000A576	DECAL-DANGER	1	
		700IA576	DECAL-DANGER	1	International
13		2326315	DECAL-WARNING	1	
		2326I315	DECAL-WARNING	1	International
14		70000775	DECAL 3"VERMEER STRIPE	A/R	P/N Qty. Of 1 = 1 Foot

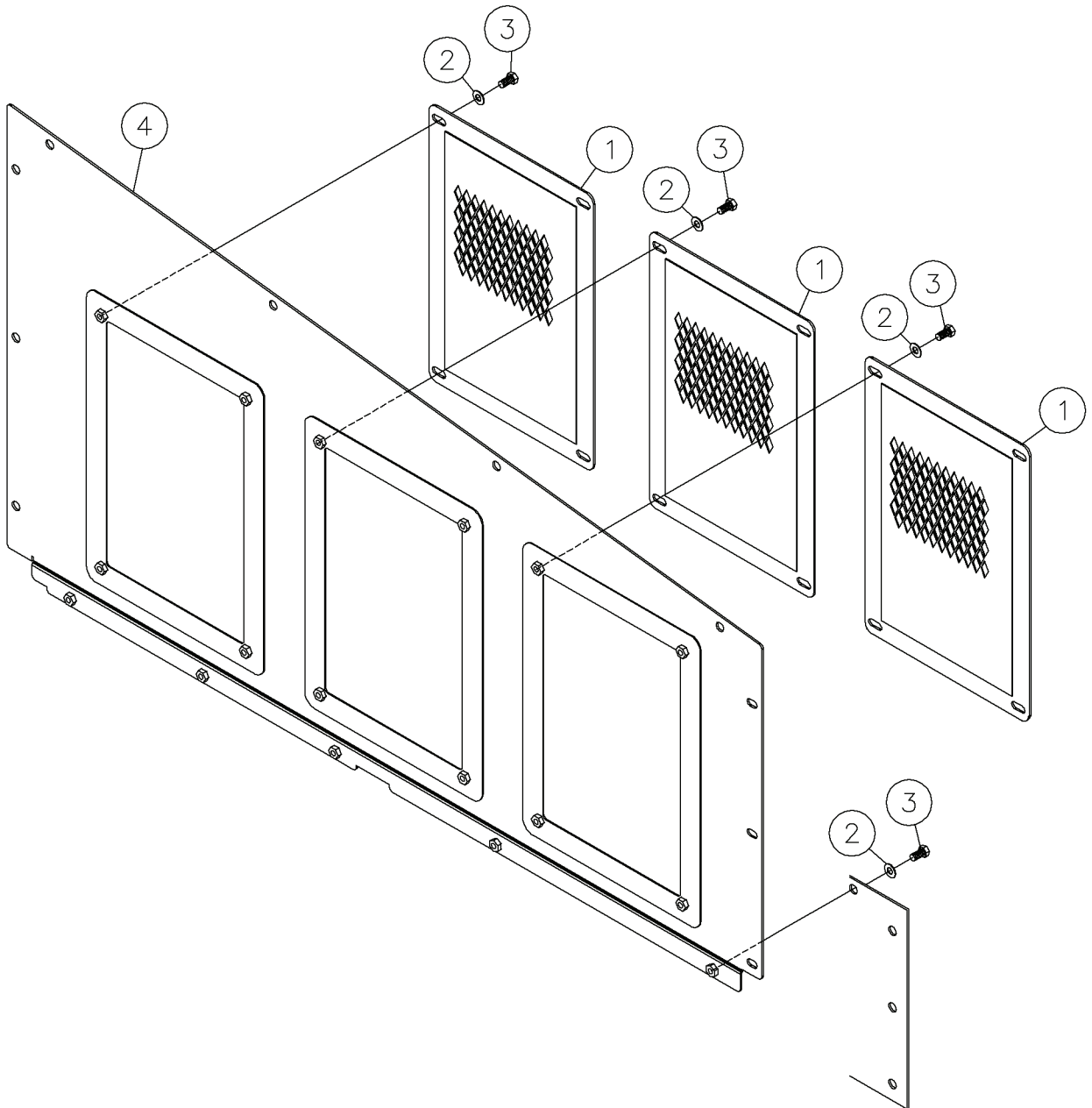
Left Side Engine Shield Assy Fig 4-3r01



## Left Side Engine Shield Assy Fig 4-3r01

REF. NO.	*	PART NO.	DESCRIPTION	QTY.	REMARKS
		Revision Date	June, 2004		Update In Illustration & Parts List.
1		296266525	SHIELD - ENGINE ACCESS	3	
2		235713001	WASHER - FLATSTRL - .38 - .41 X .81 - .06-YA-A325	17	
3		235726001	BOLT-3/8-16X3/4 GR8 HEX ZNCPLT	17	
4		296266523	SHIELD - ENGINE BAY	1	

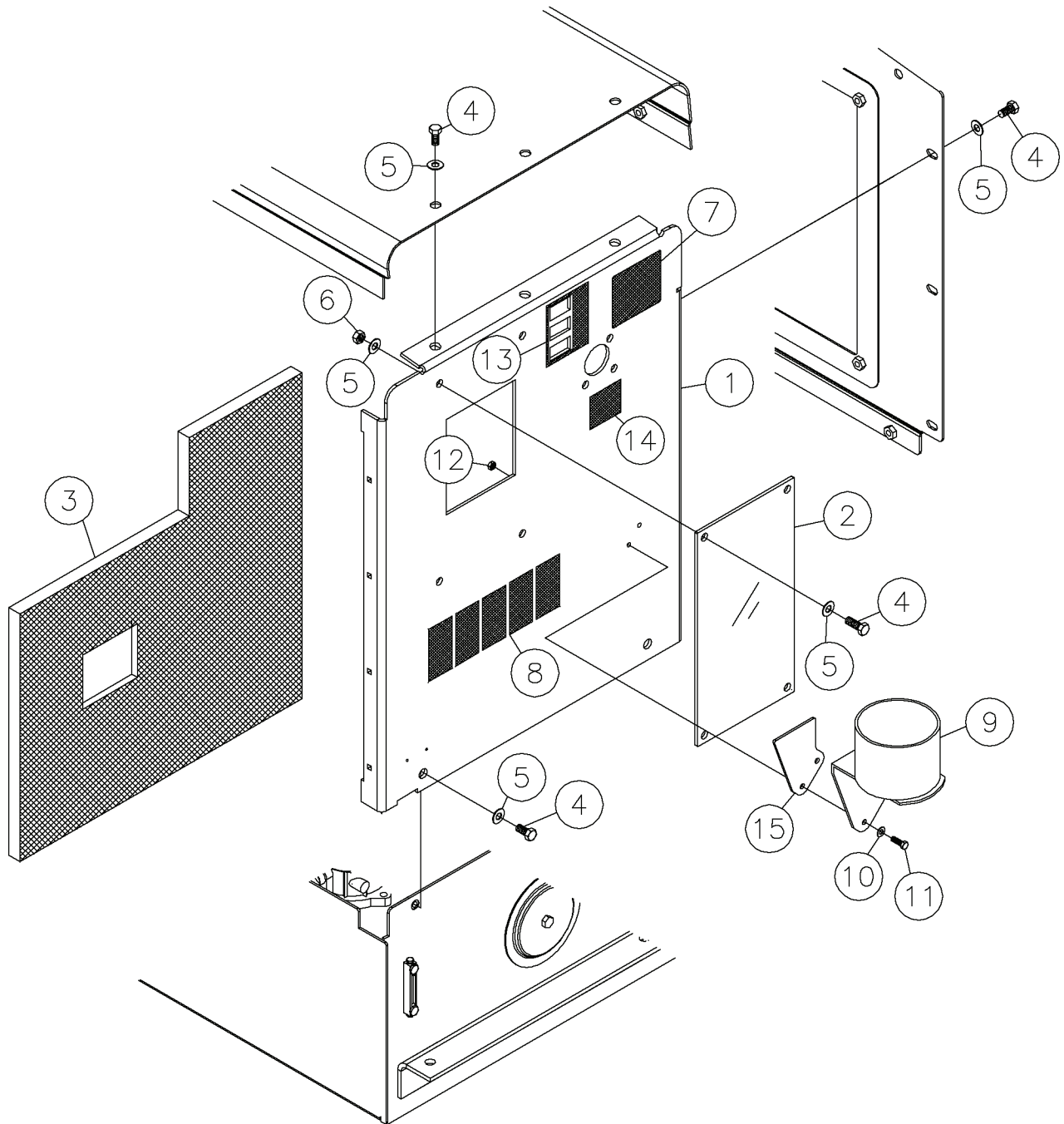
Left Side Engine Shield Assy Fig 4-3



## Left Side Engine Shield Assy Fig 4-3

REF. NO.	*	PART NO.	DESCRIPTION	QTY.	REMARKS
1		296266525	SHIELD - ENGINE ACCESS	3	
2		235713001	WASHER - FLATSTRL - .38 - .41 X .81 - .06-YA-A325	17	
3		235726001	BOLT-3/8-16X3/4 GR8 HEX ZNCPLT	17	
4		296266523	SHIELD - ENGINE BAY	1	

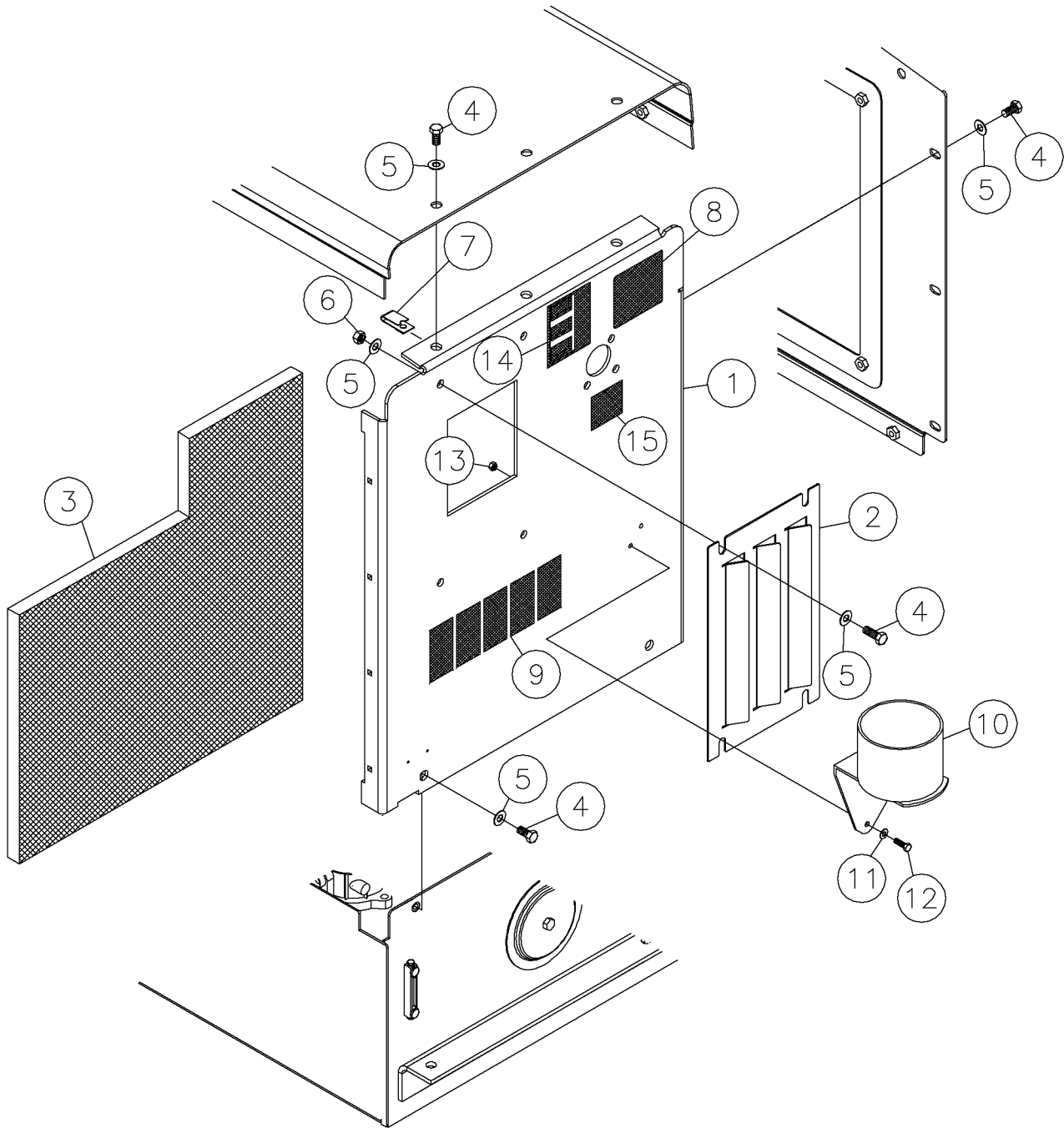
Front Shield Assy Fig 4-4r01



## Front Shield Assy Fig 4-4r01

REF. NO.	*	PART NO.	DESCRIPTION	QTY.	REMARKS
		Revision Date	February, 2004		Update In Illustration & Parts List.
1		296270855	SHIELD - FRONT ENGINE	1	
2		296270782	SHIELD - CONTROLLER	1	
3		296269265	FOAM - ENGINE DOOR	1	
4		235726001	BOLT-3/8-16X3/4 GR8 HEX ZNCPLT	12	
5		235713001	WASHER - FLATSTRL - .38 - .41 X .81 - .06-YA-A325	16	
6		235725001	NUT - HEX - .38 - 16 - GR8 - YZ	3	
7		7000B119	DECAL - PATENT INDUSTRIAL	1	
8		7000B812	DECAL - WARNING	1	
		700IB812	DECAL - WARNING	1	International
9		236397001	HOLDER-CUP/RADIO	1	
10		235734001	BOLT-1/4-20X3/4 GR8 ZINC PLTD	2	
11		235716001	WASHER - FLATSTRL - .25 -.28 X .63 - .06 - CZ	2	
12		235732001	NUT - HEX - .25 - 20 - GR8 - YZ	2	
13		700IC022	DECAL - CONTROLS	1	
14		700IA355	DECAL-DRILLING FLUIDSPEED(UND)	1	
15		296270851	RUBBER - CUP HOLDER	1	

Front Shield Assy Fig 4-4

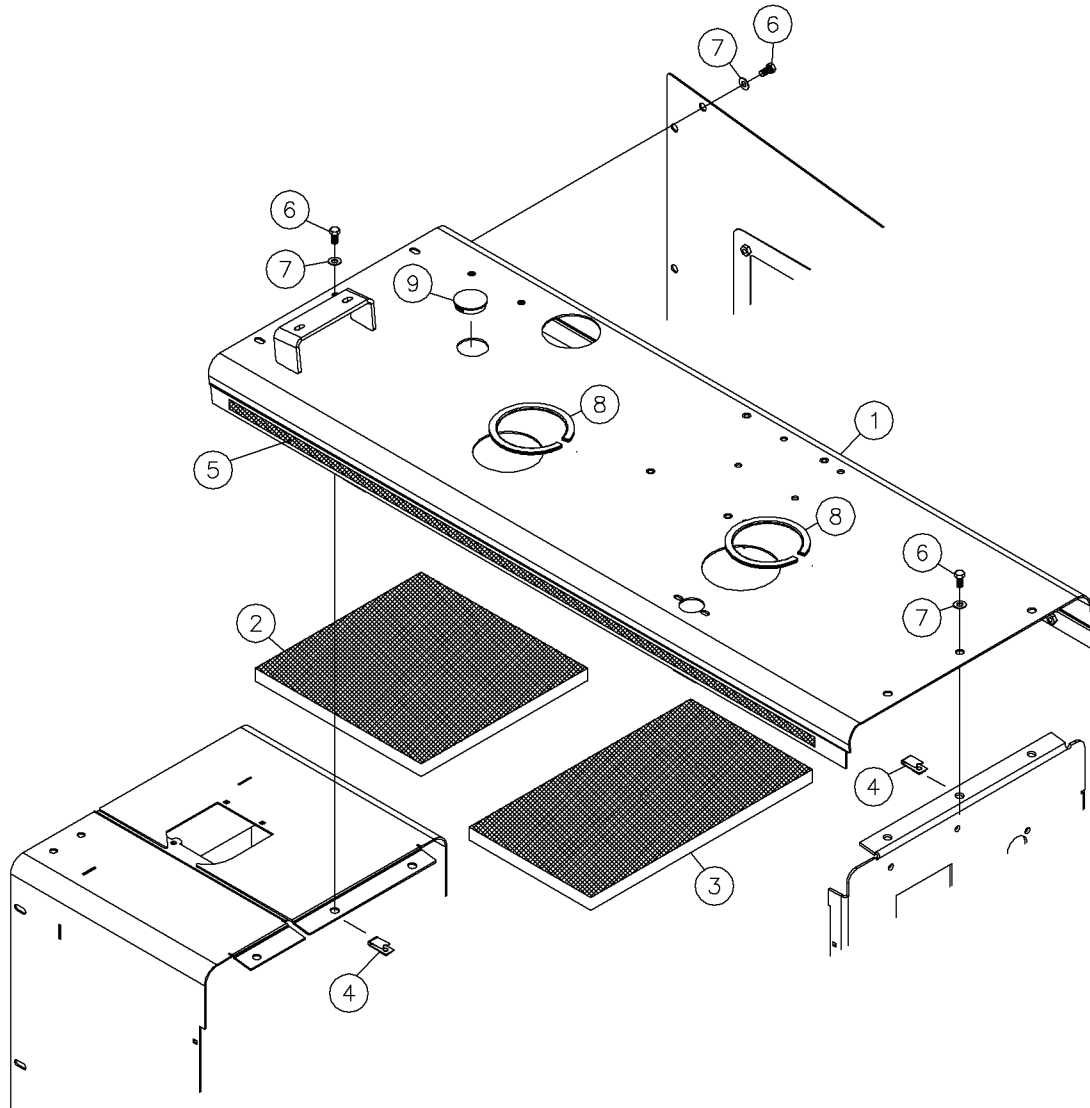




## Front Shield Assy Fig 4-4

REF. NO.	*	PART NO.	DESCRIPTION	QTY.	REMARKS
1		296257463	SHIELD-FRONT RADIATOR	1	
2		296266617	SHIELD - CONTROLLER	1	
3		296269264	FOAM - ENGINE DOOR	1	
4		235726001	BOLT-3/8-16X3/4 GR8 HEX ZNCPLT	12	
5		235713001	WASHER - FLATSTRL - .38 - .41 X .81 - .06-YA-A325	16	
6		235725001	NUT - HEX - .38 - 16 - GR8 - YZ	3	
7		13323001	U-CLIP - 3/8-16	6	
8		7000B119	DECAL - PATENT INDUSTRIAL	1	
9		7000B812	DECAL - WARNING	1	
		700IB812	DECAL - WARNING	1	International
10		236397001	HOLDER-CUP/RADIO	1	
11		235734001	BOLT-1/4-20X3/4 GR8 ZINC PLTD	2	
12		235716001	WASHER - FLATSTRL - .25 -.28 X .63 - .06 - CZ	2	
13		235732001	NUT - HEX - .25 - 20 - GR8 - YZ	2	
14		700IC022	DECAL - CONTROLS	1	
15		700IA355	DECAL-DRILLING FLUIDSPEED(UND)	1	

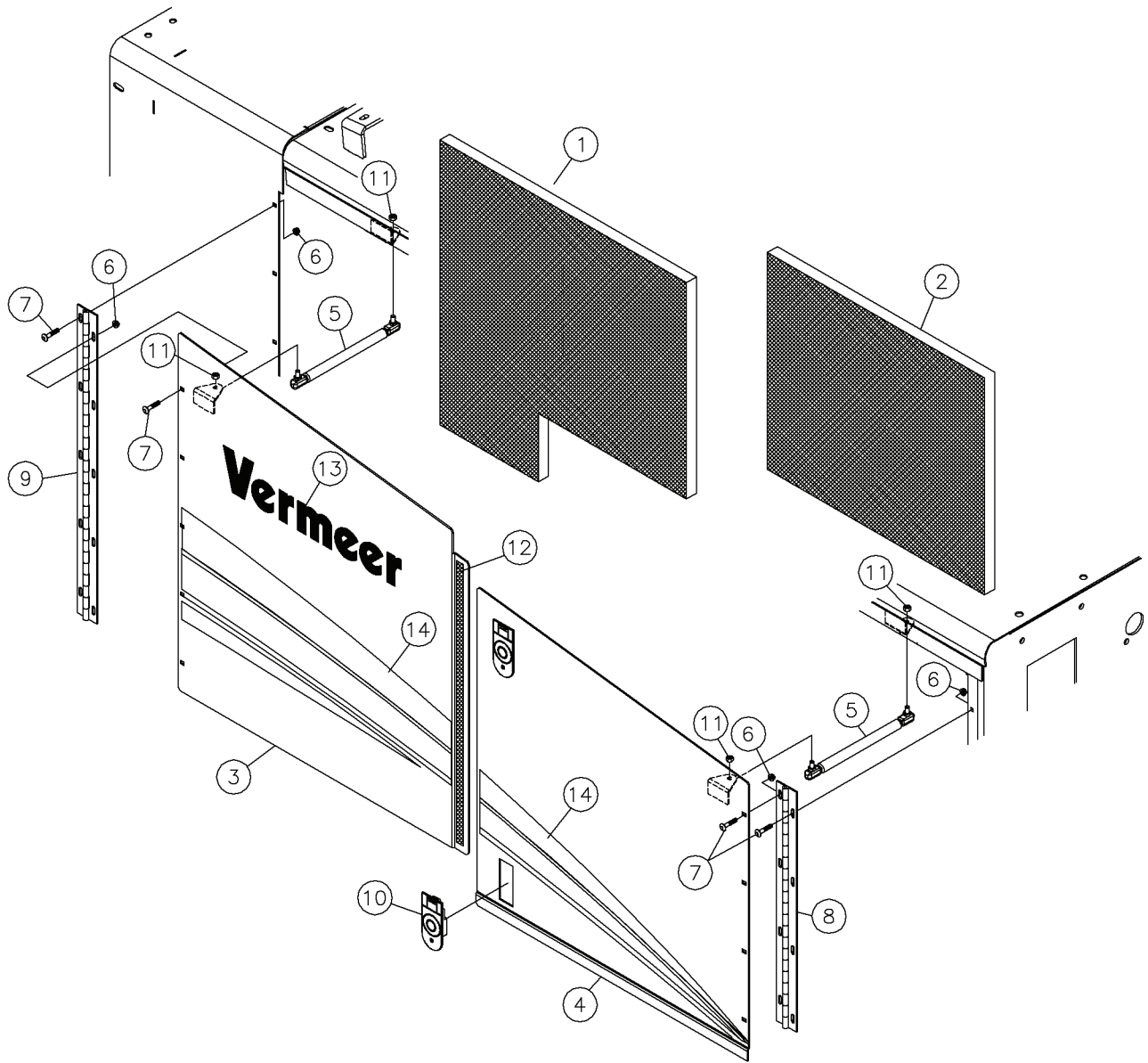
Top Shield Assy Fig 4-5



## Top Shield Assy Fig 4-5

REF. NO.	*	PART NO.	DESCRIPTION	QTY.	REMARKS
1		296266666	SHIELD - UPPER BAY	1	
2		296269266	FOAM - TOP ENGINE SHIELD	1	
3		296269263	FOAM - TOP ENGINE SHEILD	1	
4		13323001	U-CLIP - 3/8-16	6	
5		245059001	TAPE-URETHANE .75"WX 36 YD ROL	A/R	P/N Qty. Of 1 = 1 Foot
6		235726001	BOLT-3/8-16X3/4 GR8 HEX ZNCPLT	10	
7		235713001	WASHER - FLATSTRL - .38 - .41 X .81 - .06-YA-A325	10	
8		212522001	TRIM-1/4 EDGE	A/R	P/N Qty. Of 1 = 1 Foot
9		148952001	PLUG HOLE 2" BLACK NYLON	1	

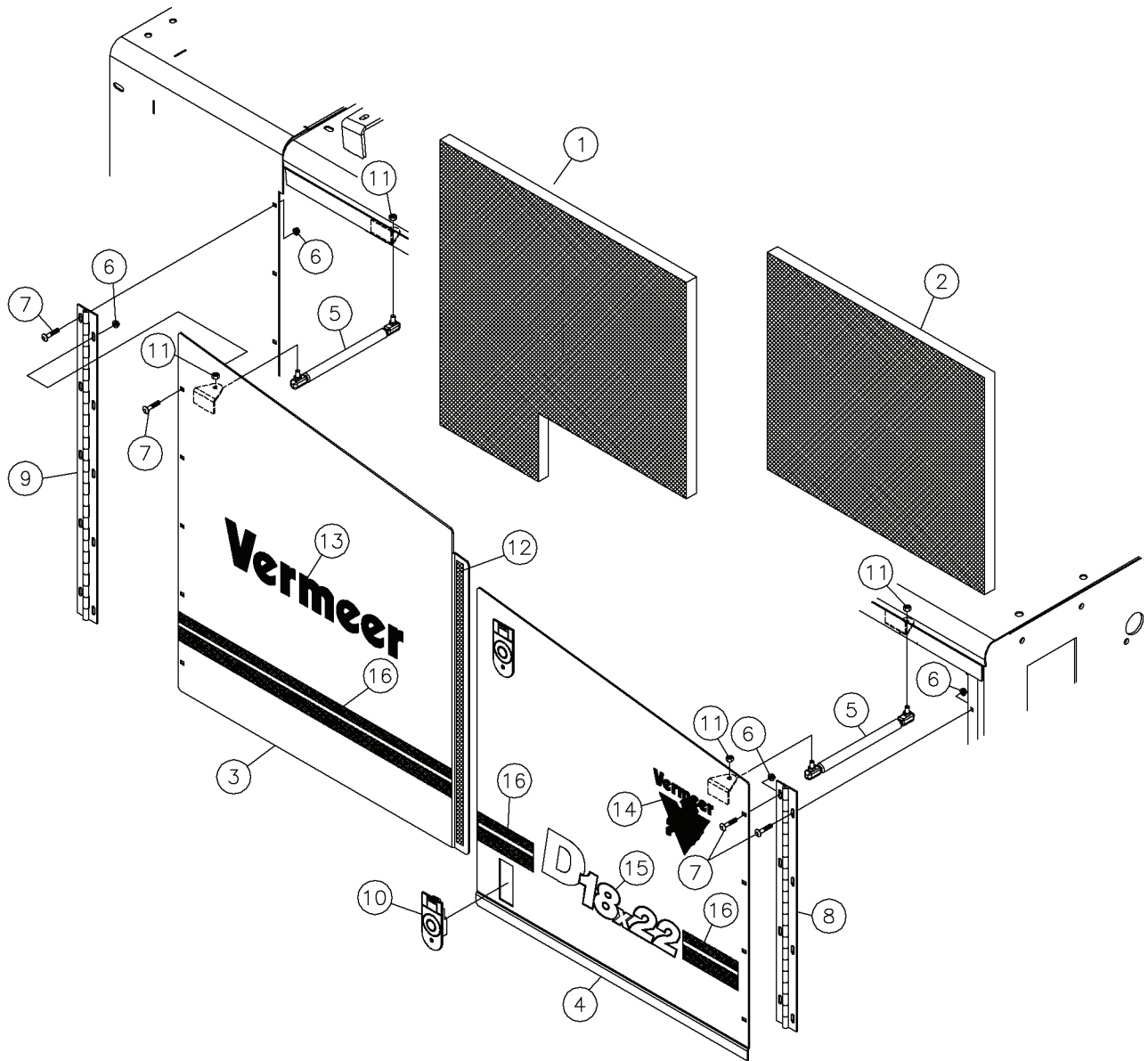
Engine Door Assy Fig 4-6r01



## Engine Door Assy Fig 4-6r01

REF. NO.	*	PART NO.	DESCRIPTION	QTY.	REMARKS
		Revision Date	May, 2005		Update In Illustration & Parts List.
1		296269264	FOAM - ENGINE DOOR	1	
2		296269265	FOAM - ENGINE DOOR	1	
3		296266667	DOOR - REAR	1	
4		296266668	DOOR - FRONT	1	
5		149863001	SPRING - GAS 15.94 LENGTH X 6.30 STROKE 56.2 LBS	2	
6		1809005	NUT-1/4 SM FLGE T.L.	18	
7		373005	BOLT-1/4-20X5/8 GR5 CARRIAGE	18	
8		296266674	HINGE - ENGINE DOOR 21"	1	
9		279338001	HINGE - ENGINE BAY DOOR	1	
10		110479001	LATCH-SEALED LEVER	2	
11		235741001	NUT - HEX - .31 - 18 - GR8 -YZ	4	
12		245059001	TAPE-URETHANE .75"WX 36 YD ROL	A/R	P/N Qty. Of 1 = 1 Foot
13		2326595	DECAL VERMEER- 4 1/2 X 24	1	
14		7000C461	DECAL - D18X22 RIGHT STRIPE	1	S/N 329 & Up

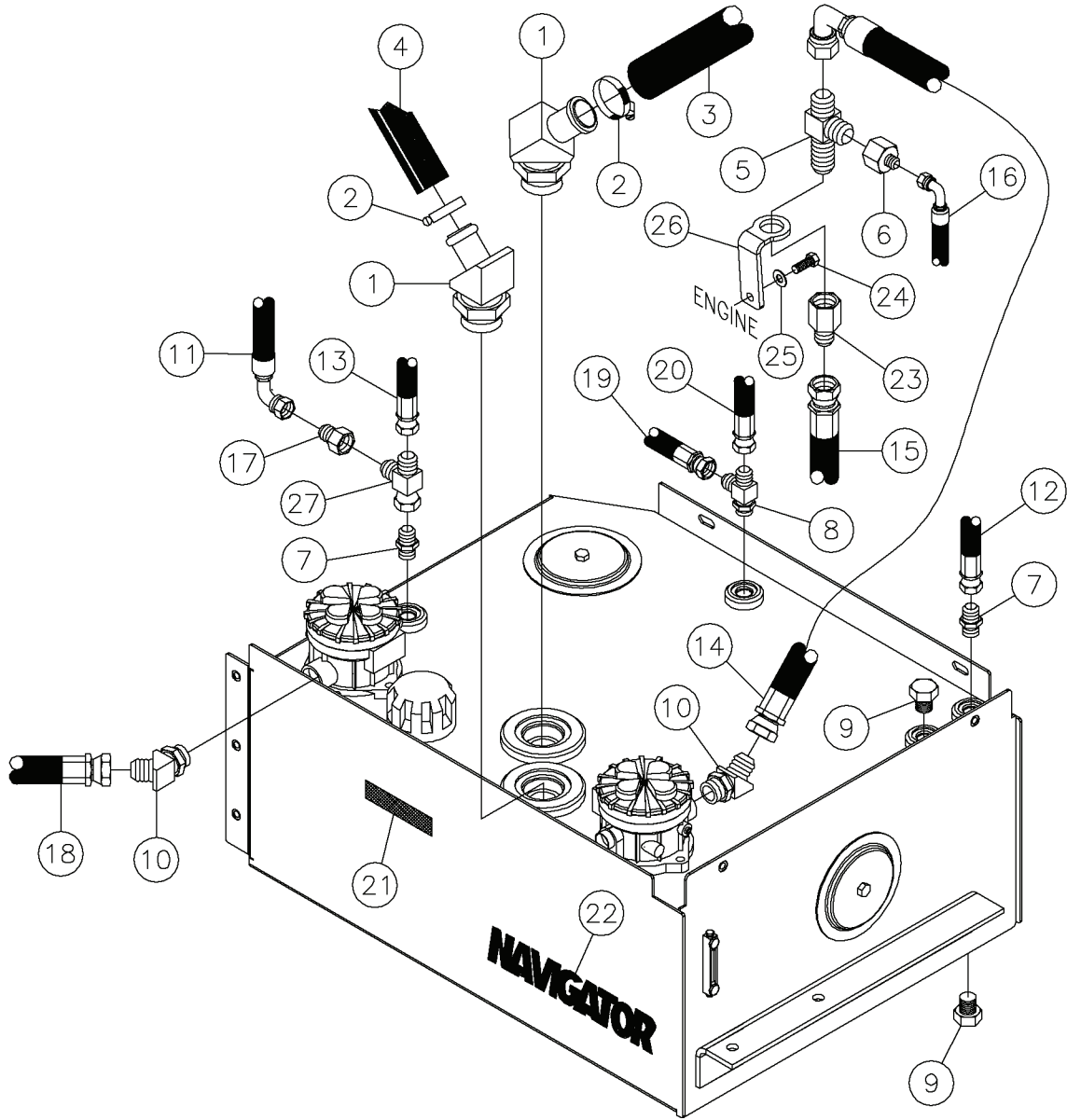
Engine Door Assy Fig 4-6



## Engine Door Assy Fig 4-6

REF. NO.	*	PART NO.	DESCRIPTION	QTY.	REMARKS
1		296269264	FOAM - ENGINE DOOR	1	
2		296269265	FOAM - ENGINE DOOR	1	
3		296266667	DOOR - REAR	1	
4		296266668	DOOR - FRONT	1	
5		149863001	SPRING - GAS 15.94 LENGTH X 6.30 STROKE 56.2 LBS	2	
6		1809005	NUT-1/4 SM FLGE T.L.	18	
7		373005	BOLT-1/4-20X5/8 GR5 CARRIAGE	18	
8		296266674	HINGE - ENGINE DOOR 21"	1	
9		279338001	HINGE - ENGINE BAY DOOR	1	
10		110479001	LATCH-SEALED LEVER	2	
11		235741001	NUT - HEX - .31 - 18 - GR8 -YZ	4	
12		245059001	TAPE-URETHANE .75"WX 36 YD ROL	A/R	P/N Qty. Of 1 = 1 Foot
13		2326595	DECAL VERMEER- 4 1/2 X 24	1	
14		70000787	DECAL 12"VERMEER LOGO	1	
15		7000B965	DECAL - MODEL NUMBER D18X22	1	
16		70000774	DECAL 2 1/2"VERMEER STRIPE	A/R	P/N Qty. Of 1 = 1 Foot

Oil Tank Assy Fig 5-1r03

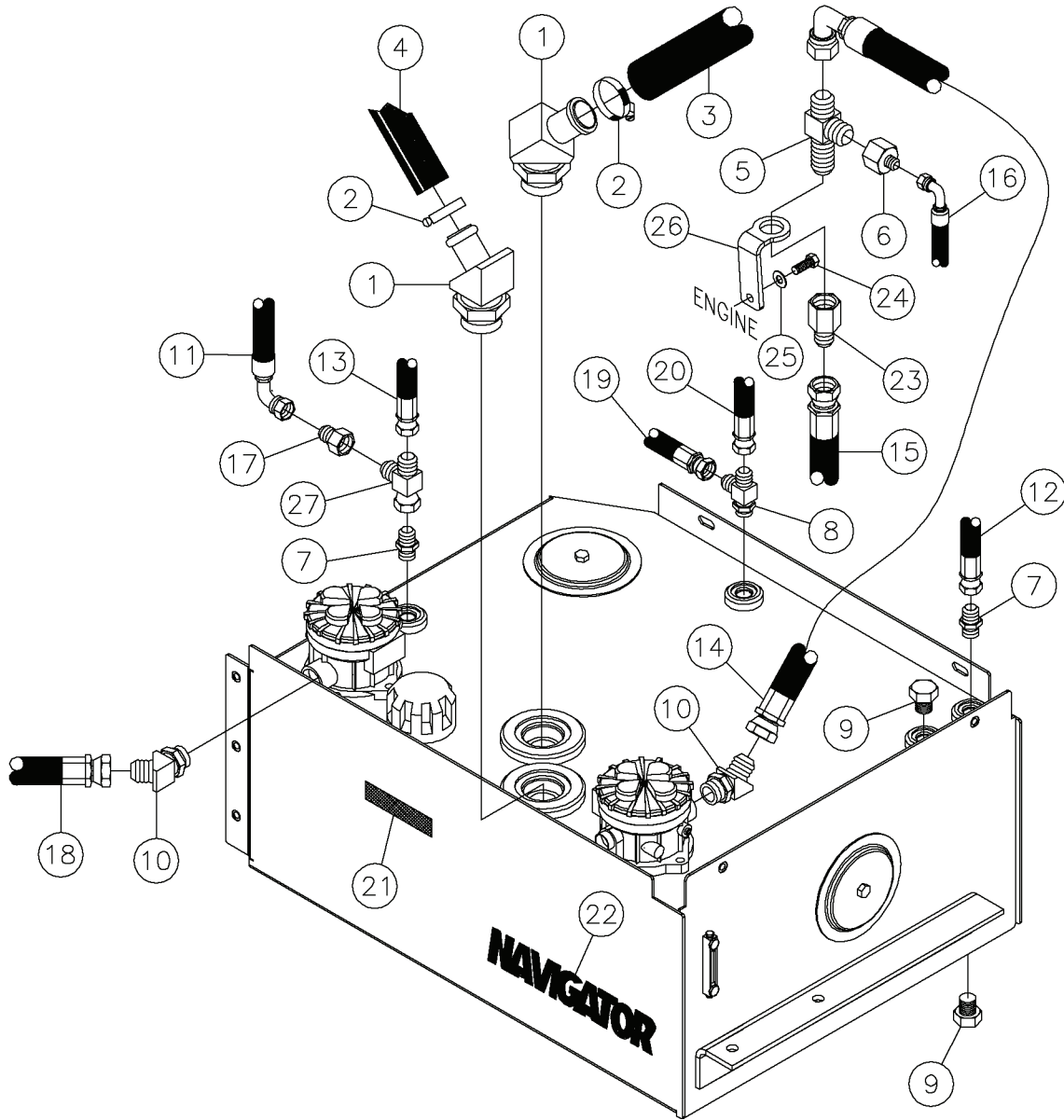




## Oil Tank Assy Fig 5-1r03

REF. NO.	*	PART NO.	DESCRIPTION	QTY.	REMARKS
		Revision Date	May, 2005		Update In Illustration & Parts List.
1		103998001	HOSE INSERT-24MX1 1/2 45 DEG.	2	
2		1580011	HOSE CLAMP - 2"	2	
3		296270758	HOSE - 1 1/2" X 11.50" SUCTION	1	
4		296270759	HOSE- 1 1/2" X 13.00" SUCTION	1	
5		96075001	FITTING-12MJIC BLKHD RUN TEE	1	
6		81690001	FITTING-12F JICX10M JIC ST.	1	
7		53824001	FITTING-#8M O-RING-#8M JIC ST.	2	
8		81705001	FITTING-8MX8M JIC(RUN)X8M JIC	1	
9		56218001	FITTING - PLUG - 8MORB - HEX	2	
10		60718001	FITTING-45-12MJ-12MORBA	2	
11		296275037	HOSE - 8 FSJ ST X 8FSJ 90 X 18"	1	
12		53844677	HOSE-1/2X19 8FSJIC 100R1	1	
13		53842377	HOSE-5/8X24 10FS JIC 3000 PSI	1	
14		296270816	HOSE- 3/4 X 50 ST/90 12FSJIC 4000PSI	1	
15		296270817	HOSE-HYD 5/8 X 50 12FSJIC ST/ST 3300PSI	1	
16		296275057	HOSE-5/8 X 32 -10FSJIC-ST/90-3000PSI	1	
17		86670001	FITTING-ADAPT 10FJICX8MJIC RED	1	
18		296260475	HOSE- 3/4 X 46 ST/90 12FSJIC 4000PSI	1	
19		296260496	HOSE-HYD-1/2X26 8FSJIC ST/90 3300 PSI	1	
20		296260462	HOSE - 1/2 X 49 STsT 8FSJIC 500PSI	1	
21		70000394	DECAL-VERMEER HY POWER	1	
22		70000614	DECAL-MODEL NAVIGATOR (BIG)	1	
23		81690001	FITTING-12F JICX10M JIC ST.	1	
24		235726001	BOLT-3/8-16X3/4 GR8 HEX ZNCPLT	1	
25		235713001	WASHER - FLATSTRL - .38 - .41 X .81 - .06-YA-A325	1	
26		296270841	MOUNT - BULKHEAD	1	
27		71250001	10M JIC(BCH)X10M JICX10FS JIC	1	

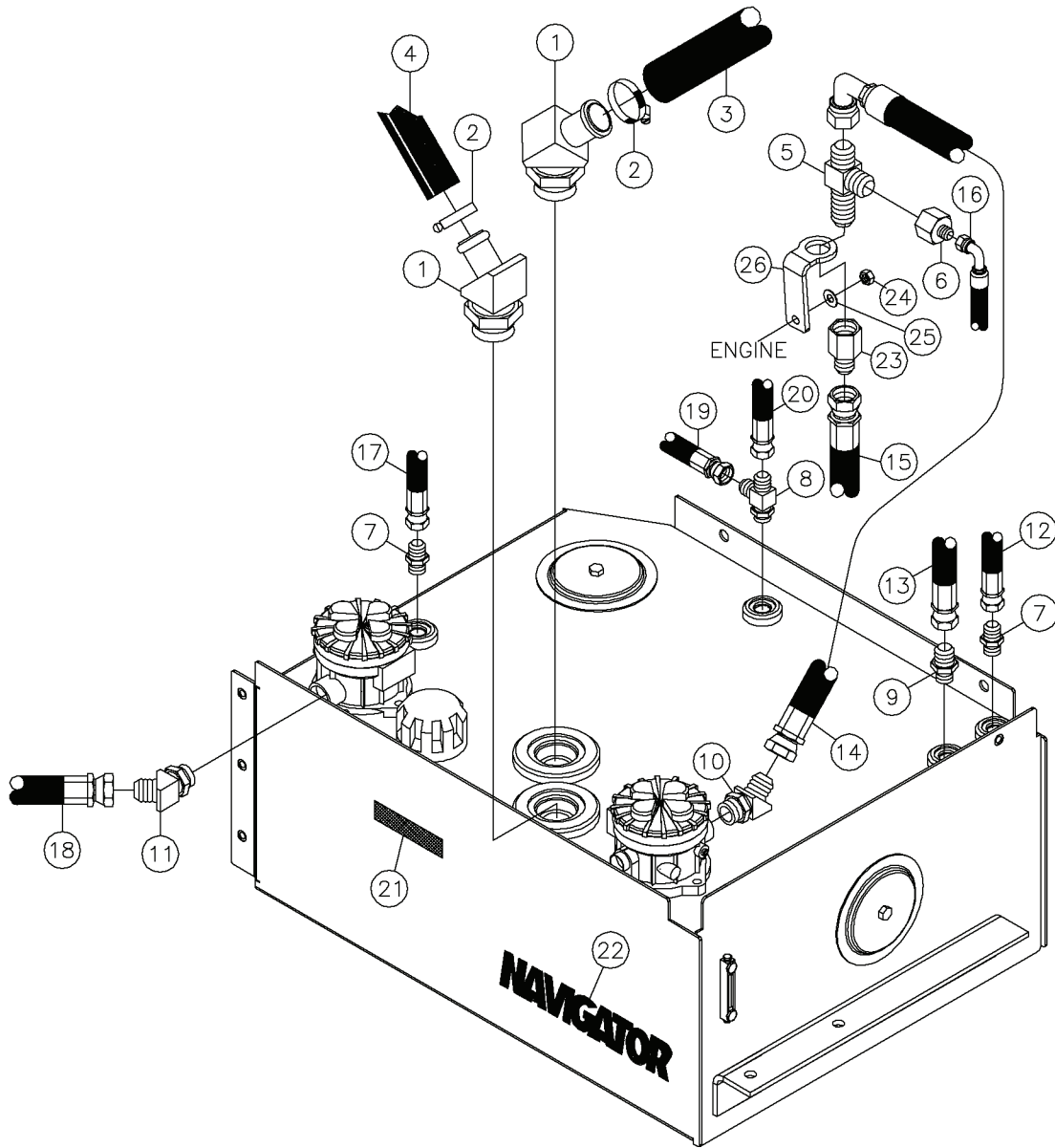
Oil Tank Assy Fig 5-1r02



## Oil Tank Assy Fig 5-1r02

REF. NO.	*	PART NO.	DESCRIPTION	QTY.	REMARKS
		Revision Date	July, 2004		Update In Illustration & Parts List.
1		103998001	HOSE INSERT-24MX1 1/2 45 DEG.	2	
2		1580011	HOSE CLAMP - 2"	2	
3		296270758	HOSE - 1 1/2" X 11.50" SUCTION	1	
4		296270759	HOSE- 1 1/2" X 13.00" SUCTION	1	
5		96075001	FITTING-12MJIC BLKHD RUN TEE	1	
6		81690001	FITTING-12F JICX10M JIC ST.	1	
7		53824001	FITTING-#8M O-RING-#8M JIC ST.	2	
8		81705001	FITTING-8MX8M JIC(RUN)X8M JIC	1	
9		56218001	FITTING - PLUG - 8MORB - HEX	2	
10		60718001	FITTING-45-12MJ-12MORBA	2	
11		296275037	HOSE - 8 FSJ ST X 8FSJ 90 X 18"	1	
12		53844677	HOSE-1/2X19 8FSJIC 100R1	1	
13		296269292	HOSE-HYD-5/8 X22 10FSJIC ST/ST 3300 PSI	1	
14		296270816	HOSE- 3/4 X 50 ST/90 12FSJIC 4000PSI	1	
15		296270817	HOSE-HYD 5/8 X 50 12FSJIC ST/ST 3300PSI	1	
16		296275057	HOSE-5/8 X 32 -10FSJIC-ST/90-3000PSI	1	
17		86670001	FITTING-ADAPT 10FJICX8MJIC RED	1	
18		296260475	HOSE- 3/4 X 46 ST/90 12FSJIC 4000PSI	1	
19		296260496	HOSE-HYD-1/2X26 8FSJIC ST/90 3300 PSI	1	
20		296260462	HOSE - 1/2 X 49 STsT 8FSJIC 500PSI	1	
21		70000394	DECAL-VERMEER HY POWER	1	
22		70000614	DECAL-MODEL NAVIGATOR (BIG)	1	
23		81690001	FITTING-12F JICX10M JIC ST.	1	
24		235726001	BOLT-3/8-16X3/4 GR8 HEX ZNCPLT	1	
25		235713001	WASHER - FLATSTRL - .38 - .41 X .81 - .06-YA-A325	1	
26		296270841	MOUNT - BULKHEAD	1	
27		71250001	10M JIC(BCH)X10M JICX10FS JIC	1	

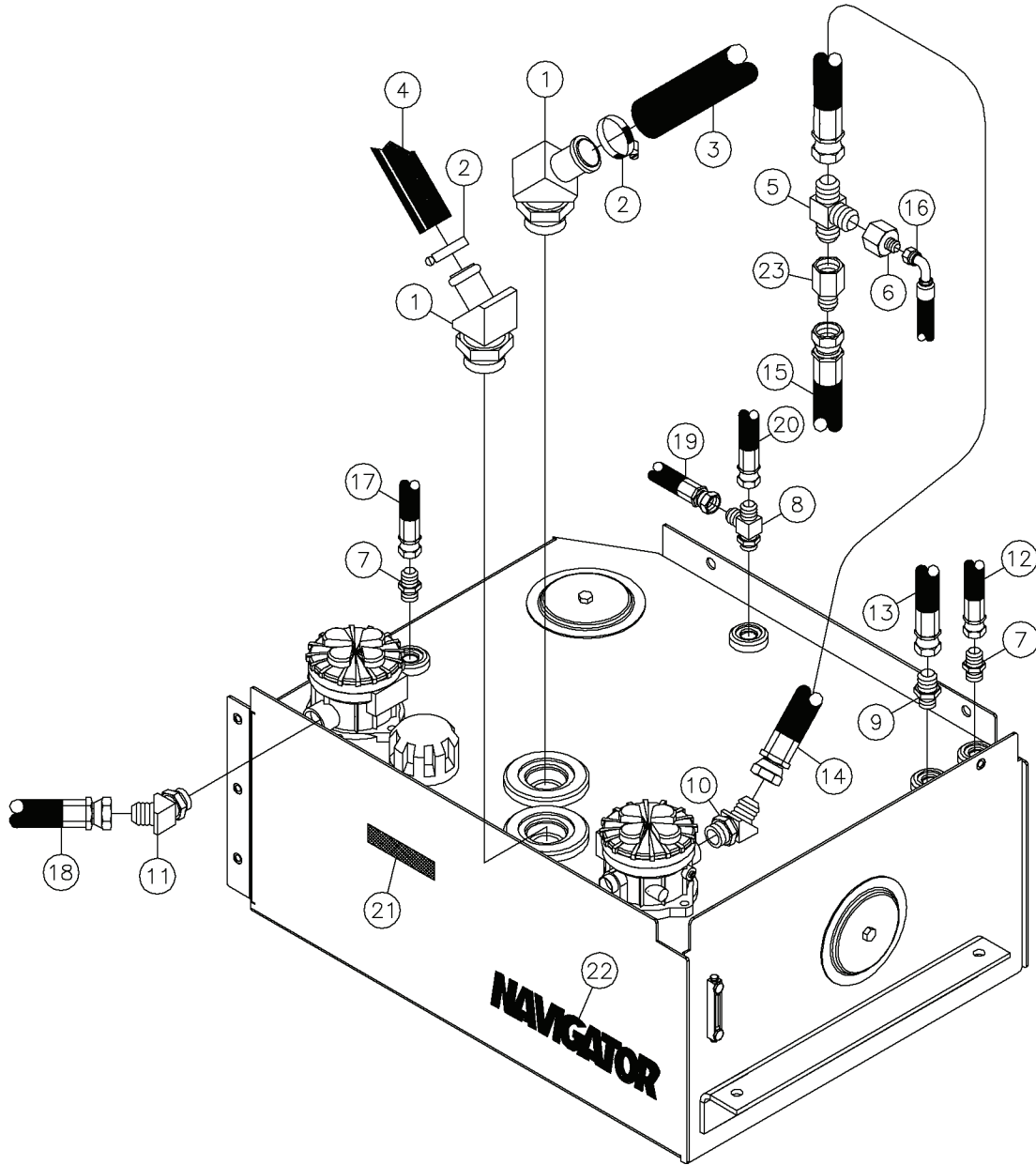
Oil Tank Assy Fig 5-1r01



## Oil Tank Assy Fig 5-1r01

REF. NO.	*	PART NO.	DESCRIPTION	QTY.	REMARKS
		Revision Date	February, 2004		Update In Illustration & Parts List.
1		103998001	HOSE INSERT-24MX1 1/2 45 DEG.	2	
2		1580011	HOSE CLAMP - 2"	2	
3		296270758	HOSE - 1 1/2" X 11.50" SUCTION	1	
4		296270759	HOSE- 1 1/2" X 13.00" SUCTION	1	
5		96075001	FITTING-12MJIC BLKHD RUN TEE	1	
6		60909001	6M JICX12F JIC ST.ADAPTER	1	
7		53824001	FITTING-#8M O-RING-#8M JIC ST.	2	
8		81705001	FITTING-8MX8M JIC(BCH)X8M JIC	1	
9		67850001	8M X 10MJIC STR	1	
10		60718001	12M JICX12M ADJ.45 DEG.EL	1	
11		60718001	12M JICX12M ADJ.45 DEG.EL	1	
12		53844677	HOSE-1/2X19 8FSJIC 100R1	1	
13		296269292	HOSE-HYD-5/8 X22 10FSJIC ST/ST 3300 PSI	1	
14		296270816	HOSE- 3/4 X 50 ST/90 12FSJIC 4000PSI	1	
15		296270817	HOSE-HYD 5/8 X 50 12FSJIC ST/ST 3300PSI	1	
16		296269293	HOSE-HYD-3/8X32 6FSJIC ST/90 3300PSI	1	
17		296260461	HOSE - 1/2 X 14.5 ST/90 8FSJIC 500PSI	1	
18		296260475	HOSE- 3/4 X 46 ST/90 12FSJIC 4000PSI	1	
19		296260496	HOSE-HYD-1/2X26 8FSJIC ST/90 3300 PSI	1	
20		296260462	HOSE - 1/2 X 49 STsT 8FSJIC 500PSI	1	
21		70000394	DECAL-VERMEER HY POWER	1	
22		70000614	DECAL-MODEL NAVIGATOR (BIG)	1	
23		81690001	FITTING-12F JICX10M JIC ST.	1	
24		235726001	BOLT-3/8-16X3/4 GR8 HEX ZNCPLT	1	
25		235713001	WASHER - FLATSTRL - .38 - .41 X .81 - .06-YA-A325	1	
26		296270841	MOUNT-BULKHEAD	1	

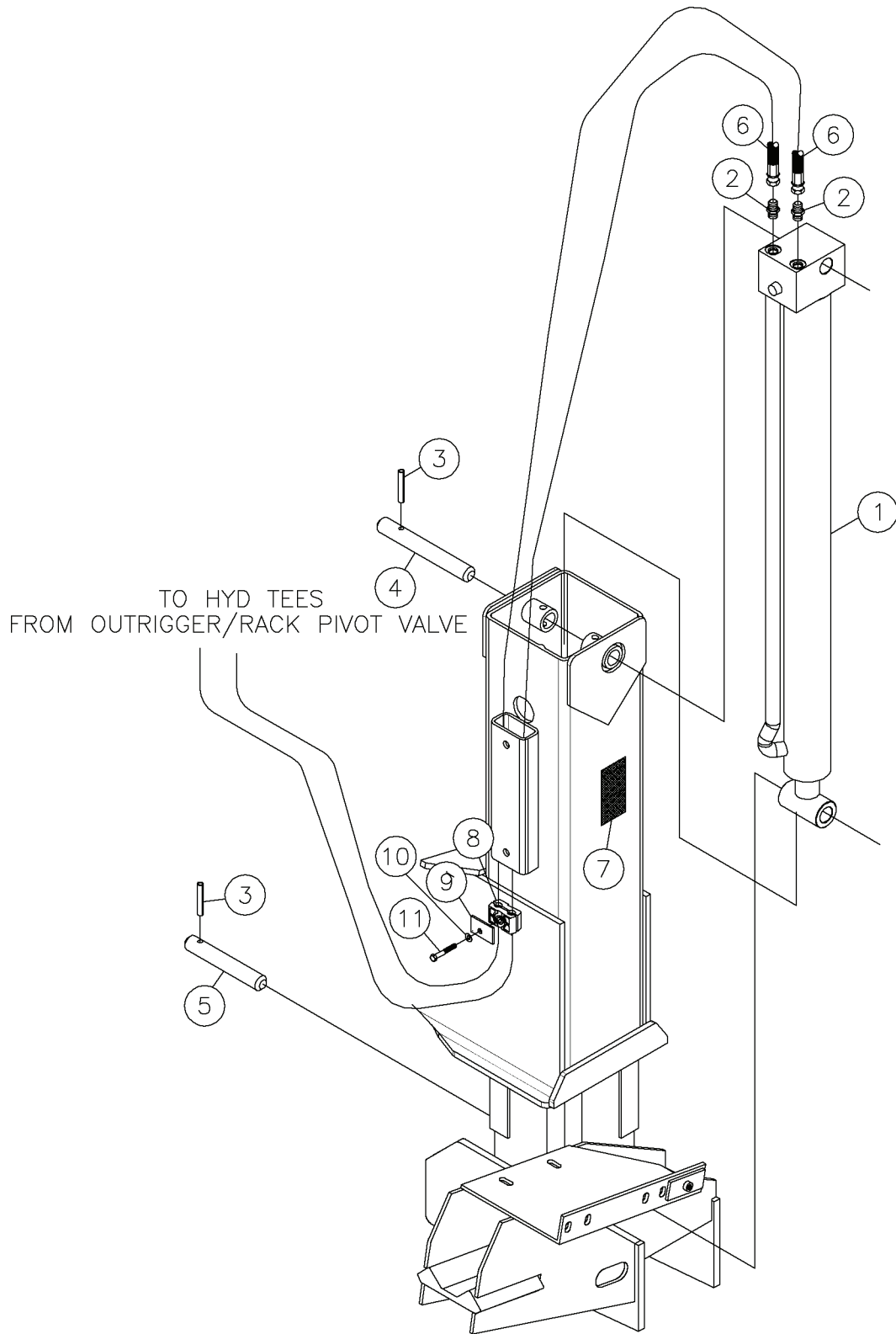
Oil Tank Assy Fig 5-1



## Oil Tank Assy Fig 5-1

REF. NO.	*	PART NO.	DESCRIPTION	QTY.	REMARKS
1		103998001	HOSE INSERT-24MX1 1/2 45 DEG.	2	
2		1580011	HOSE CLAMP - 2"	2	
3		296270758	HOSE - 1 1/2" X 11.50" SUCTION	1	
4		296270759	HOSE- 1 1/2" X 13.00" SUCTION	1	
5		53833001	TEE-12M JIC	1	
6		60909001	6M JICX12F JIC ST.ADAPTER	1	
7		53824001	FITTING-#8M O-RING-#8M JIC ST.	2	
8		81705001	FITTING-8MX8M JIC(BCH)X8M JIC	1	
9		67850001	8M X 10MJIC STR	1	
10		60718001	12M JICX12M ADJ.45 DEG.EL	1	
11		60718001	12M JICX12M ADJ.45 DEG.EL	1	
12		53844677	HOSE-1/2X19 8FSJIC 100R1	1	
13		296269292	HOSE-HYD-5/8 X22 10FSJIC ST/ST 3300 PSI	1	
14		296270816	HOSE- 3/4 X 50 ST/90 12FSJIC 4000PSI	1	
15		296270817	HOSE-HYD 5/8 X 50 12FSJIC ST/ST 3300PSI	1	
16		296269293	HOSE-HYD-3/8X32 6FSJIC ST/90 3300PSI	1	
17		296260461	HOSE - 1/2 X 14.5 ST/90 8FSJIC 500PSI	1	
18		296260475	HOSE- 3/4 X 46 ST/90 12FSJIC 4000PSI	1	
19		296260496	HOSE-HYD-1/2X26 8FSJIC ST/90 3300 PSI	1	
20		296260462	HOSE - 1/2 X 49 STsT 8FSJIC 500PSI	1	
21		70000394	DECAL-VERMEER HY POWER	1	
22		70000614	DECAL-MODEL NAVIGATOR (BIG)	1	
23		81690001	FITTING-12F JICX10M JIC ST.	1	

Outrigger Hyd Cylinder Assy Fig 5-2

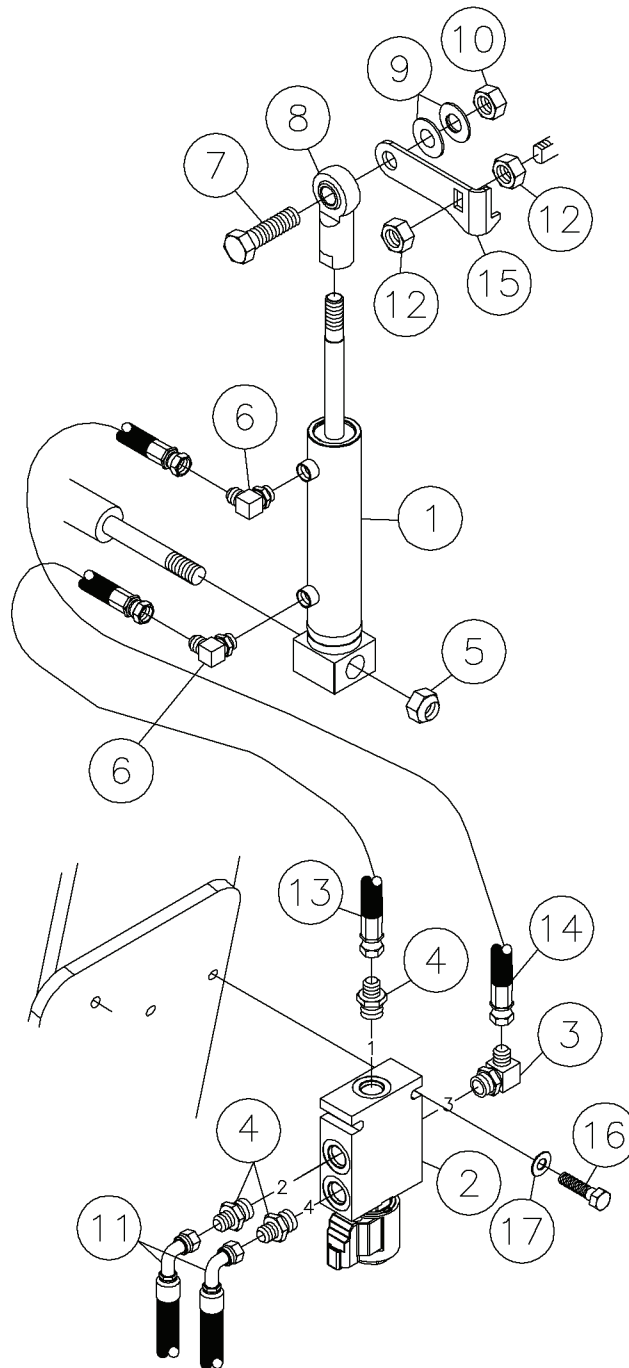




## Outrigger Hyd Cylinder Assy Fig 5-2

REF. NO.	*	PART NO.	DESCRIPTION	QTY.	REMARKS
1		296257190	CYLINDER - 2.5 X 32 HYD	1	Breakdown 11-17
2		600087001	FIT-6MO-RINGX6MJIC ST.W/R.062	2	
3		1788033	PIN-EXP3/8X2 1/4	2	
4		216681001	PIN-OUTRIGGER CYLINDER	1	
5		278018001	PIN-OUTRIGGER CYLINDER	1	
6		296269289	HOSE-HYD-3/8X95 6FSJIC ST/ST 3300 PSI	2	
7		7000B304	DECAL - WARNING	1	
8		700IB304	DECAL - WARNING	1	International
9		67846005	CLAMP-PAIR-1/2" PIPE/1/4" HYD. HOSE	1	
10		67846003	PLATE-TWIN COVER	1	
11		235716001	WASHER - FLATSTRL - .25 - .28 X .63 - .06 - CZ	1	
12		248107001	BOLT-1/4-20X1 3/4 GR 8 ZINC PL	1	

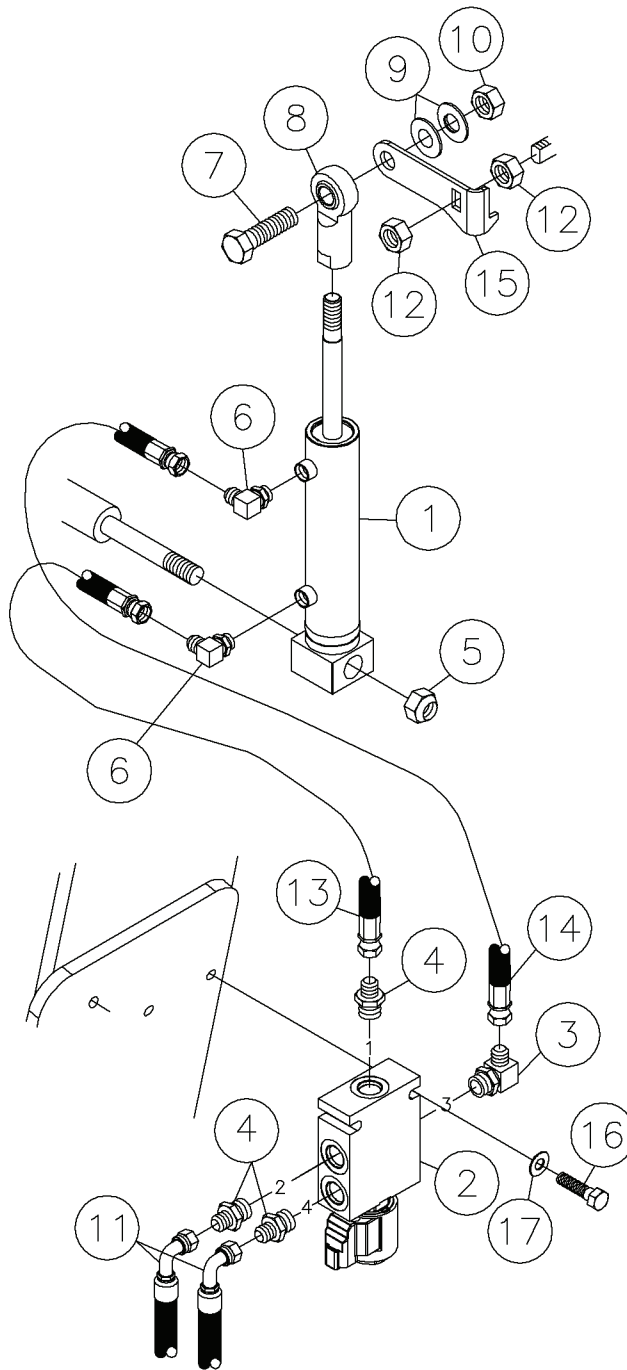
Water Shutoff Hyd Cylinder Assy (SN 108 & UP) Fig 5-3r02



## Water Shutoff Hyd Cylinder Assy (SN 108 &amp; UP) Fig 5-3r02

REF. NO.	*	PART NO.	DESCRIPTION	QTY.	REMARKS
		Revision Date	May, 2005		Update In Parts List.
1		287591001	CYLINDER - 1 X 3-1/2	1	
		296254585	ROD ASSEMBLY	1	
		296254587	SEAL KIT	1	
2		294901001	VALVE - GREASER	1	Breakdown On Fig 11-9
3		57950001	FITTING-90-4MJ-6MORBA	1	
4		57968001	FITTING-STR-4MJ-6MORB	3	
5		451001	NUT-1/2 N.F. HEX	1	
6		59423001	FIT-4M JICX4M ADJ.90 DEG.ELBOW	2	
7		235721001	BOLT-1/2-13X1 1/2 GR8 ZINC PLT	1	
8		224291001	BALL JOINT-1/2-20 FEMALE THDS.	1	
9		485025	WASHER-1/2 FLAT-HARDENED-ZINC	2	
10		250512001	NUT- 1/2 NC Gr8 TOP LOCK Y/ ZINC	1	
11		296269294	HOSE-HYD-1/4X28 4FSJIC ST/90 3300PSI	2	
12		75382001	NUT-1/2-UNC GRADE 8 SLTL	2	
13		53843547	HOSE-1/4X21 4FS JIC 3000 PSI	1	
14		53843787	HOSE-1/4X24 4FSJIC ST 100R2	1	
15		278002001	ARM-LEVER	1	
16		248030001	BOLT-5/16-18X1 3/4 GR8 ZINC PL	2	
17		235716001	WASHER - FLATSTRL - .25 - .28 X .63 - .06 - CZ	2	

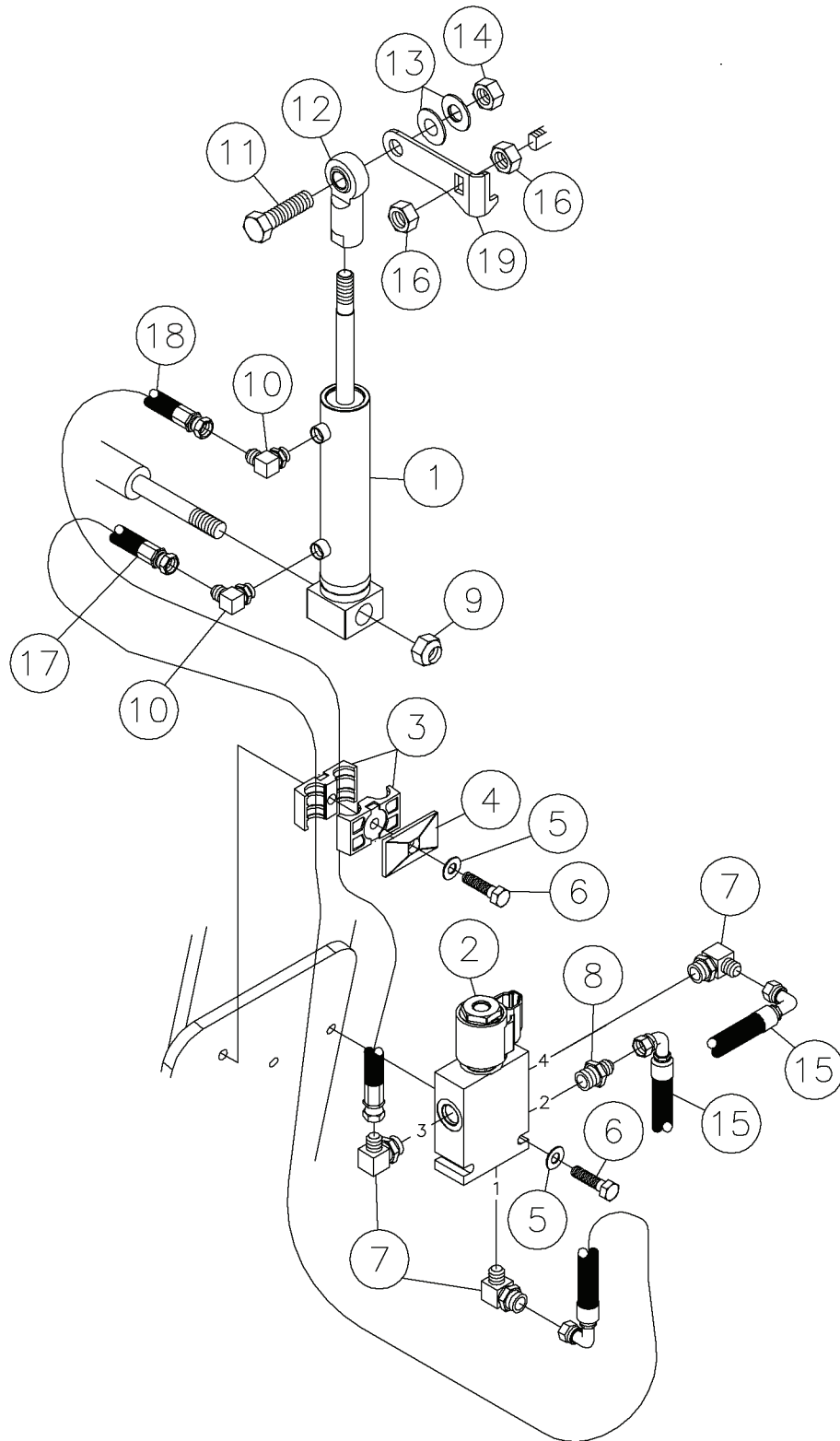
Water Shutoff Hyd Cylinder Assy (SN 108 & UP) Fig 5-3r01



## Water Shutoff Hyd Cylinder Assy (SN 108 &amp; UP) Fig 5-3r01

REF. NO.	*	PART NO.	DESCRIPTION	QTY.	REMARKS
		Revision Date	February, 2004		Update In Illustration & Parts List.
1		287591001	CYLINDER - 1 X 3-1/2	1	
		296254585	ROD ASSEMBLY	1	
		296254587	SEAL KIT	1	
2		294901001	VALVE - GREASER	1	Breakdown On Fig 11-9
3		57950001	FITTING-90-4MJ-6MORBA	1	
4		57968001	FITTING-STR-4MJ-6MORB	3	
5		451001	NUT-1/2 N.F. HEX	1	
6		59423001	FIT-4M JICX4M ADJ.90 DEG.ELBOW	2	
7		235721001	BOLT-1/2-13X1 1/2 GR8 ZINC PLT	1	
8		224291001	BALL JOINT-1/2-20 FEMALE THDS.	1	
9		485025	WASHER-1/2 FLAT-HARDENED-ZINC	2	
10		250512001	NUT- 1/2 NC Gr8 TOP LOCK Y/ ZINC	1	
11		296269294	HOSE-HYD-1/4X28 4FSJIC ST/90 3300PSI	2	
12		75382001	NUT-1/2-UNC GRADE 8 SLTL	2	
13		53843787	HOSE-1/4X21 4FS JIC 3000 PSI	1	
14		53843787	HOSE-1/4X24 4FSJIC ST 100R2	1	
15		278002001	ARM-LEVER	1	
16		248030001	BOLT-5/16-18X1 3/4 GR8 ZINC PL	2	
17		235716001	WASHER - FLATSTRL - .25 - .28 X .63 - .06 - CZ	2	

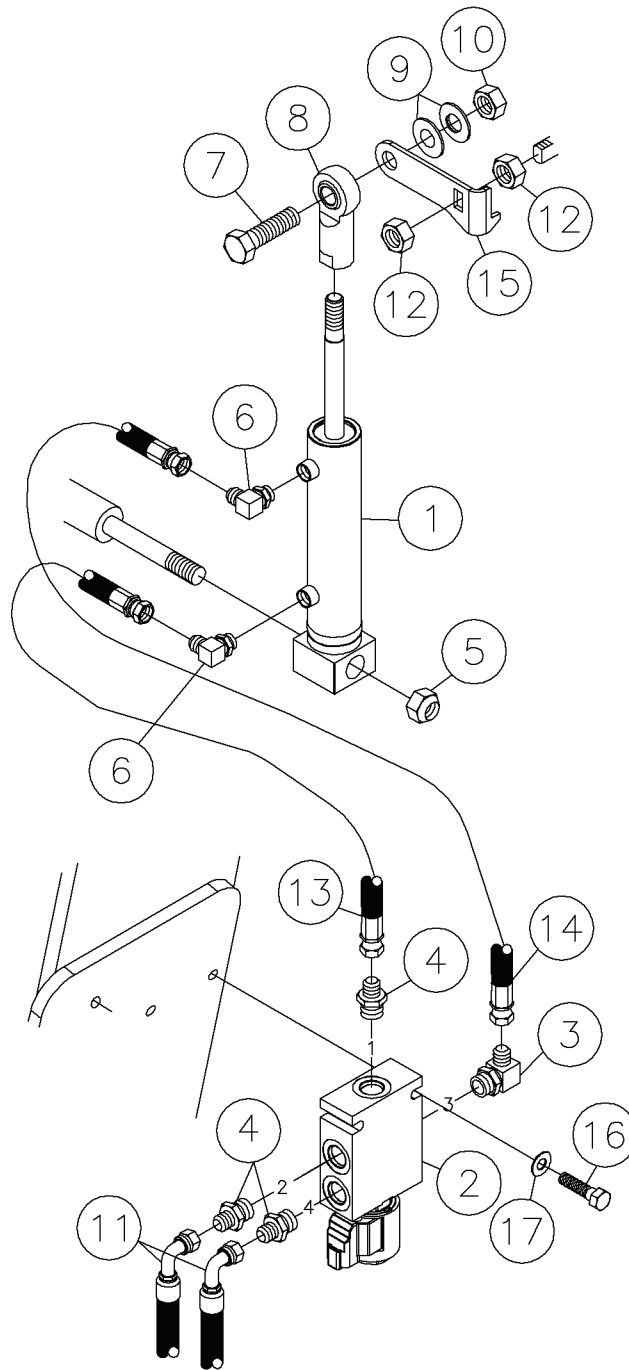
Water Shutoff Hyd Cylinder Assy (SN 108 & UP) Fig 5-3



## Water Shutoff Hyd Cylinder Assy (SN 108 &amp; UP) Fig 5-3

REF. NO.	*	PART NO.	DESCRIPTION	QTY.	REMARKS
1		287591001	CYLINDER - 1 X 3-1/2	1	
		296254585	ROD ASSEMBLY	1	
		296254587	SEAL KIT	1	
2		294901001	VALVE - GREASER	1	Breakdown On Fig 11-9
3		57950001	FITTING-90-4MJ-6MORBA	1	
4		57968001	FITTING-STR-4MJ-6MORB	3	
5		451001	NUT-1/2 N.F. HEX	1	
6		59423001	FIT-4M JICX4M ADJ.90 DEG.ELBOW	2	
7		235721001	BOLT-1/2-13X1 1/2 GR8 ZINC PLT	1	
8		224291001	BALL JOINT-1/2-20 FEMALE THDS.	1	
9		485025	WASHER-1/2 FLAT-HARDENED-ZINC	2	
10		250512001	NUT- 1/2 NC Gr8 TOP LOCK Y/ ZINC	1	
11		296269294	HOSE-HYD-1/4X28 4FSJIC ST/90 3300PSI	2	
12		75382001	NUT-1/2-UNC GRADE 8 SLTL	2	
13		53843287	HOSE-1/4X18 4FS JIC 5800 PSI	1	
14		53843787	HOSE-1/4X24 4FSJIC ST 100R2	1	
15		278002001	ARM-LEVER	1	
16		248030001	BOLT-5/16-18X1 3/4 GR8 ZINC PL	2	
17		235716001	WASHER - FLATSTRL - .25 -.28 X .63 - .06 - CZ	2	

Water Shutoff Hyd Cylinder Assy (SN 101-107) Fig 5-3s01

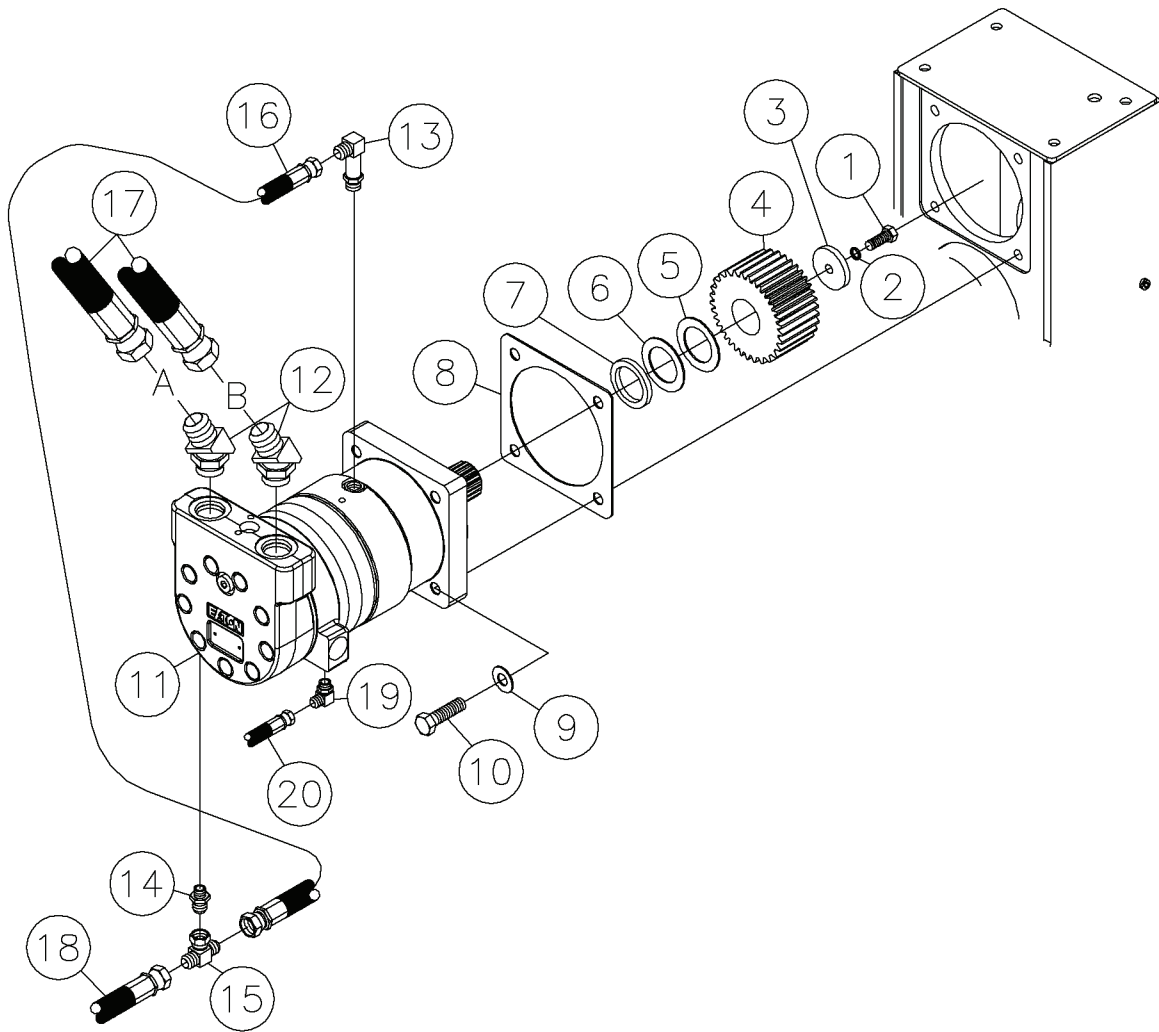




## Water Shutoff Hyd Cylinder Assy (SN 101-107) Fig 5-3s01

REF. NO.	*	PART NO.	DESCRIPTION	QTY.	REMARKS
1		287591001	CYLINDER - 1 X 3-1/2	1	
		296254585	ROD ASSEMBLY	1	
		296254587	SEAL KIT	1	
2		294901001	VALVE - GREASER	1	Breakdown On Fig 11-9
3		67846005	CLAMP-1/2" PIPE/1/4" HYD. HOSE	2	
4		67846003	PLATE-TWIN COVER	1	
5		235716001	WASHER - FLATSTRL - .25 - .28 X .63 - .06 - CZ	2	
6		248030001	BOLT-5/16-18X1 3/4 GR8 ZINC PL	2	
7		57950001	FITTING-90-4MJ-6MORBA	3	
8		57968001	FITTING-STR-4MJ-6MORB	1	
9		451001	NUT-1/2 N.F. HEX REF T03060	1	
10		59423001	FIT-4M JICX4M ADJ.90 DEG.ELBOW	2	
11		235721001	BOLT-1/2-13X1 1/2 GR8 ZINC PLT	1	
12		224291001	BALL JOINT-1/2-20 FEMALE THDS.	1	
13		485025	WASHER-1/2 FLAT-HARDENED-ZINC	2	
14		250512001	NUT- 1/2 NC Gr8 TOP LOCK Y/ ZINC	1	
15		296269294	HOSE-HYD-1/4X28 4FSJIC ST/90 3300PSI	2	
16		75382001	NUT-1/2-UNC GRADE 8 SLTL	2	
17		296269296	HOSE-HYD-1/4X22 4FSJIC ST/90 3300 PSI	1	
18		296260422	HOSE - 1/4 X 23 ST/ST 4FSJIC 3300PSI	1	
19		278002001	ARM-LEVER	1	

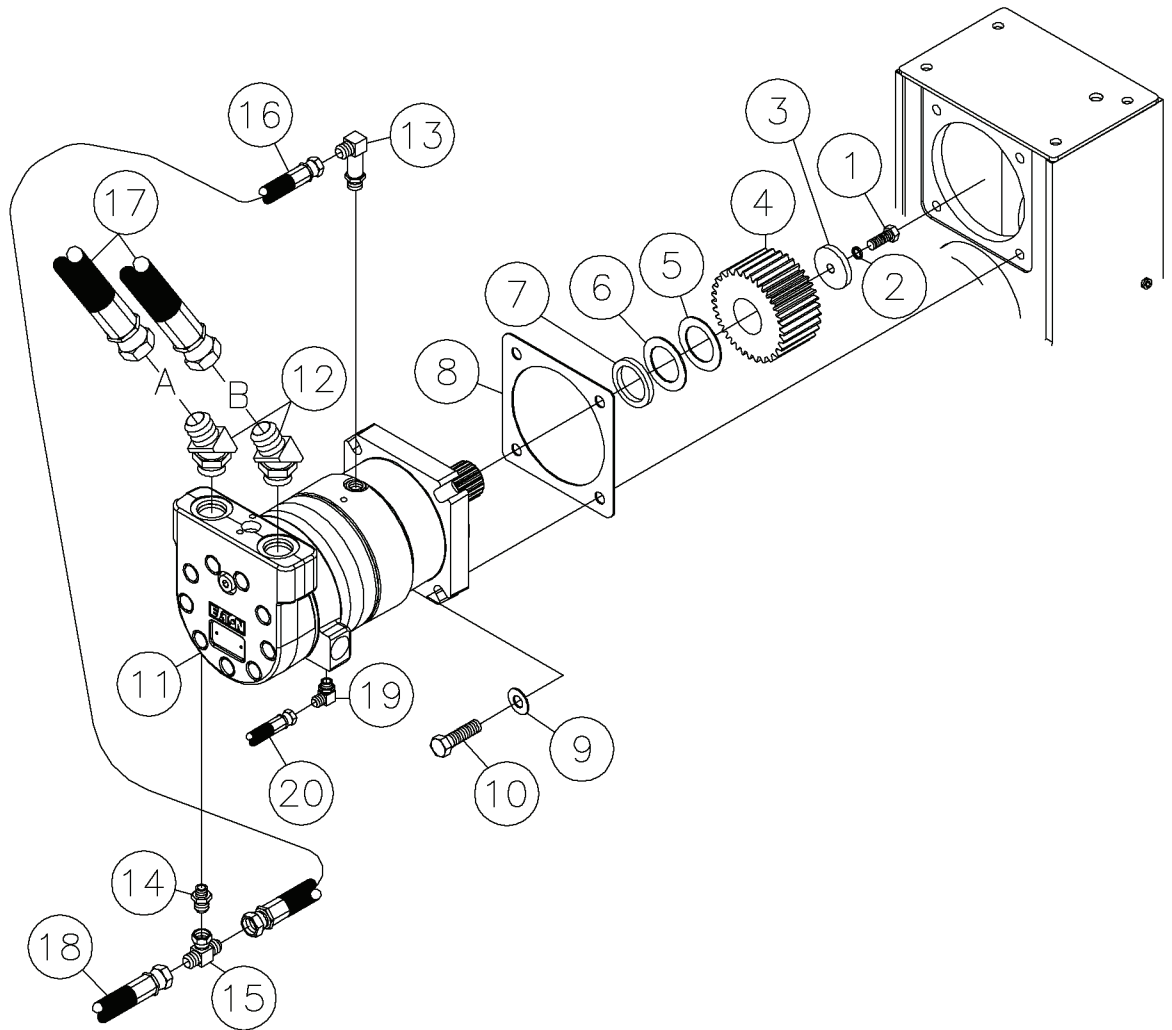
Rotation Hyd Motor Assy Fig 5-4r02



## Rotation Hyd Motor Assy Fig 5-4r02

REF. NO.	*	PART NO.	DESCRIPTION	QTY.	REMARKS
		Revision Date	May, 2005		Update In Illustration & Parts List.
1		235727001	BOLT-3/8-16X1 GR8 HEX ZINC PLT	1	
2		235713001	WASHER - FLATSTRL - .38 - .41 X .81 - .06-YA-A325	1	
3		902087001	CAP-SHAFT	1	
4		296272020	GEAR - TOP ROTATION 17T SPL	1	
5		4542001	WSHR-2 1/4OD X1 1/2ID-18GA MB	1	
6		483009	WASHER-2 1/4X1 1/2X14 GA M.B.	1	
7		235663001	TUBE-GEAR SPACER	1	
8		217035001	GASKET-.020 4 BOLT	1	
9		485025	WASHER-1/2 FLAT-HARDENED-ZINC	4	
10		240334001	BOLT-1/2-13X1 3/4 GR8 ZINC PLT	4	
11		296272101	MOTOR - 30.7 CU. IN. 3SPD 17T SPL	1	Breakdown Fig. 11-15
12		60718001	12M JICX12M ADJ.45 DEG.EL	2	
13		65570001	6M X 6M JIC 90 DEGREE LONG	1	
14		65569001	4M X 6M JIC ST.	1	
15		60852001	6M JICX6FS JIC SWIV.NUT B TEE	1	
16		57940159	HOSE-3/8X18 6FS JIC (100R2)	1	
17		296270893	HOSE-HYD-3/4X169 12FSJIC ST/45 4000PSI	2	
18		57940135	HOSE-.38 X 172 6FSJIC 3000 PSI	1	
19		59423001	FIT-4M JICX4M ADJ.90 DEG.ELBOW	1	
20		53843179	HOSE-1/4X180 4FS JIC 100R1	1	

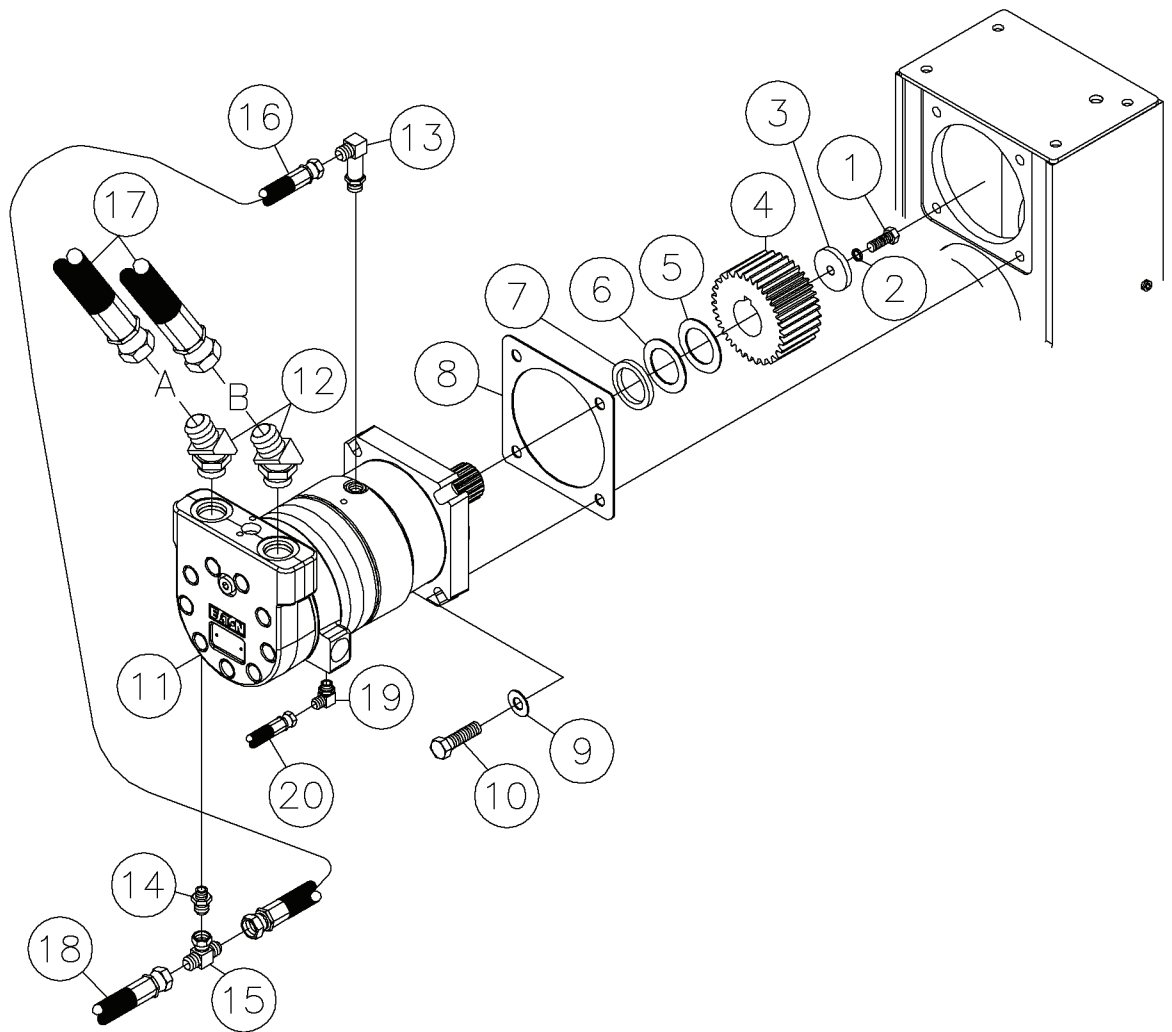
Rotation Hyd Motor Assy Fig 5-4r01



## Rotation Hyd Motor Assy Fig 5-4r01

REF. NO.	*	PART NO.	DESCRIPTION	QTY.	REMARKS
		Revision Date	June, 2004		Update In Illustration & Parts List.
1		235727001	BOLT-3/8-16X1 GR8 HEX ZINC PLT	1	
2		235713001	WASHER - FLATSTRL - .38 - .41 X .81 - .06-YA-A325	1	
3		902087001	CAP-SHAFT	1	
4		296272020	GEAR - TOP ROTATION 17T SPL	1	
5		4542001	WSHR-2 1/4OD X1 1/2ID-18GA MB	1	
6		483009	WASHER-2 1/4X1 1/2X14 GA M.B.	1	
7		235663001	TUBE-GEAR SPACER	1	
8		217035001	GASKET-.020 4 BOLT	1	
9		485025	WASHER-1/2 FLAT-HARDENED-ZINC	4	
10		240334001	BOLT-1/2-13X1 3/4 GR8 ZINC PLT	4	
11		296272042	MOTOR - 30.7 CU / 2 SPD 17 T SPLINE	1	Breakdown On Fig 11-15
12		60718001	12M JICX12M ADJ.45 DEG.EL	2	
13		65570001	6M X 6M JIC 90 DEGREE LONG	1	
14		65569001	4M X 6M JIC ST.	1	
15		60852001	6M JICX6FS JIC SWIV.NUT B TEE	1	
16		57940159	HOSE-3/8X18 6FS JIC (100R2)	1	
17		296260478	HOSE - 3/4X163 ST/45 12FSJIC4000PSI SLVD	2	
18		296260459	HOSE-3/8X116 6FSJIC ST/ST 1000PSI SLVD	1	
19		59423001	FIT-4M JICX4M ADJ.90 DEG.ELBOW	1	
20		296260435	HOSE - 1/4X174 ST/ST 4FSJIC 3300PSI SLVD	1	

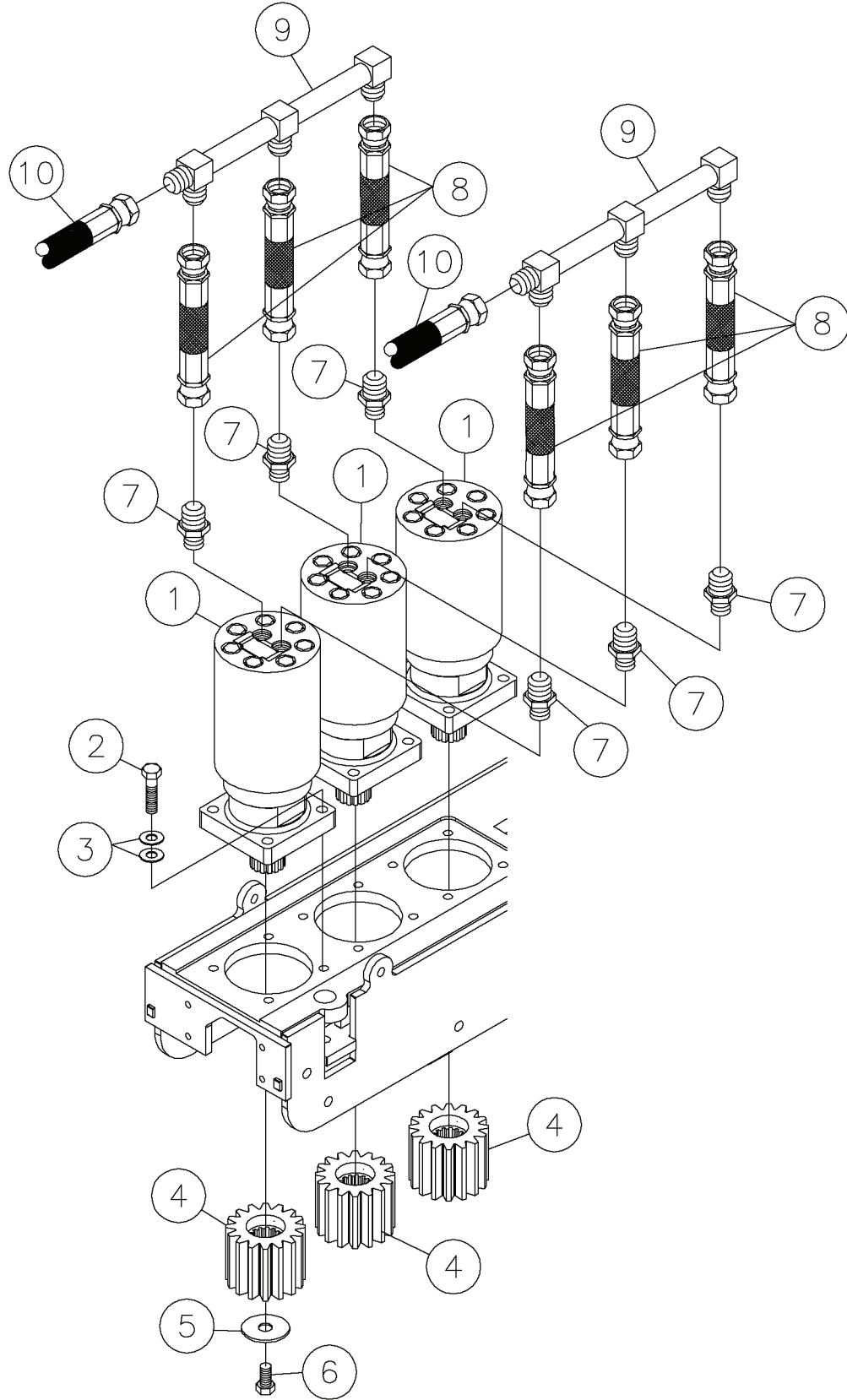
Rotation Hyd Motor Assy Fig 5-4



## Rotation Hyd Motor Assy Fig 5-4

REF. NO.	*	PART NO.	DESCRIPTION	QTY.	REMARKS
1		235727001	BOLT-3/8-16X1 GR8 HEX ZINC PLT	1	
2		235713001	WASHER - FLATSTRL - .38 - .41 X .81 - .06-YA-A325	1	
3		902087001	CAP-SHAFT	1	
4		235610001	GEAR-32 TOOTH	1	
5		4542001	WSHR-2 1/4OD X1 1/2ID-18GA MB	1	
6		483009	WASHER-2 1/4X1 1/2X14 GA M.B.	1	
7		235663001	TUBE-GEAR SPACER	1	
8		217035001	GASKET-.020 4 BOLT	1	
9		485025	WASHER-1/2 FLAT-HARDENED-ZINC	4	
10		240334001	BOLT-1/2-13X1 3/4 GR8 ZINC PLT	4	
11		296257179	MOTOR - 30.7 CU.IN. 2 - SPEED	1	Breakdown On Fig 11-15
12		60718001	12M JICX12M ADJ.45 DEG.EL	2	
13		65570001	6M X 6M JIC 90 DEGREE LONG	1	
14		65569001	4M X 6M JIC ST.	1	
15		60852001	6M JICX6FS JIC SWIV.NUT B TEE	1	
16		57940159	HOSE-3/8X18 6FS JIC (100R2)	1	
17		296260478	HOSE - 3/4X163 ST/45 12FSJIC4000PSI SLVD	2	
18		296260459	HOSE-3/8X116 6FSJIC ST/ST 1000PSI SLVD	1	
19		59423001	FIT-4M JICX4M ADJ.90 DEG.ELBOW	1	
20		296260435	HOSE - 1/4X174 ST/ST 4FSJIC 3300PSI SLVD	1	

Thrust/Pullback Hyd Motor Assy Fig 5-5r01

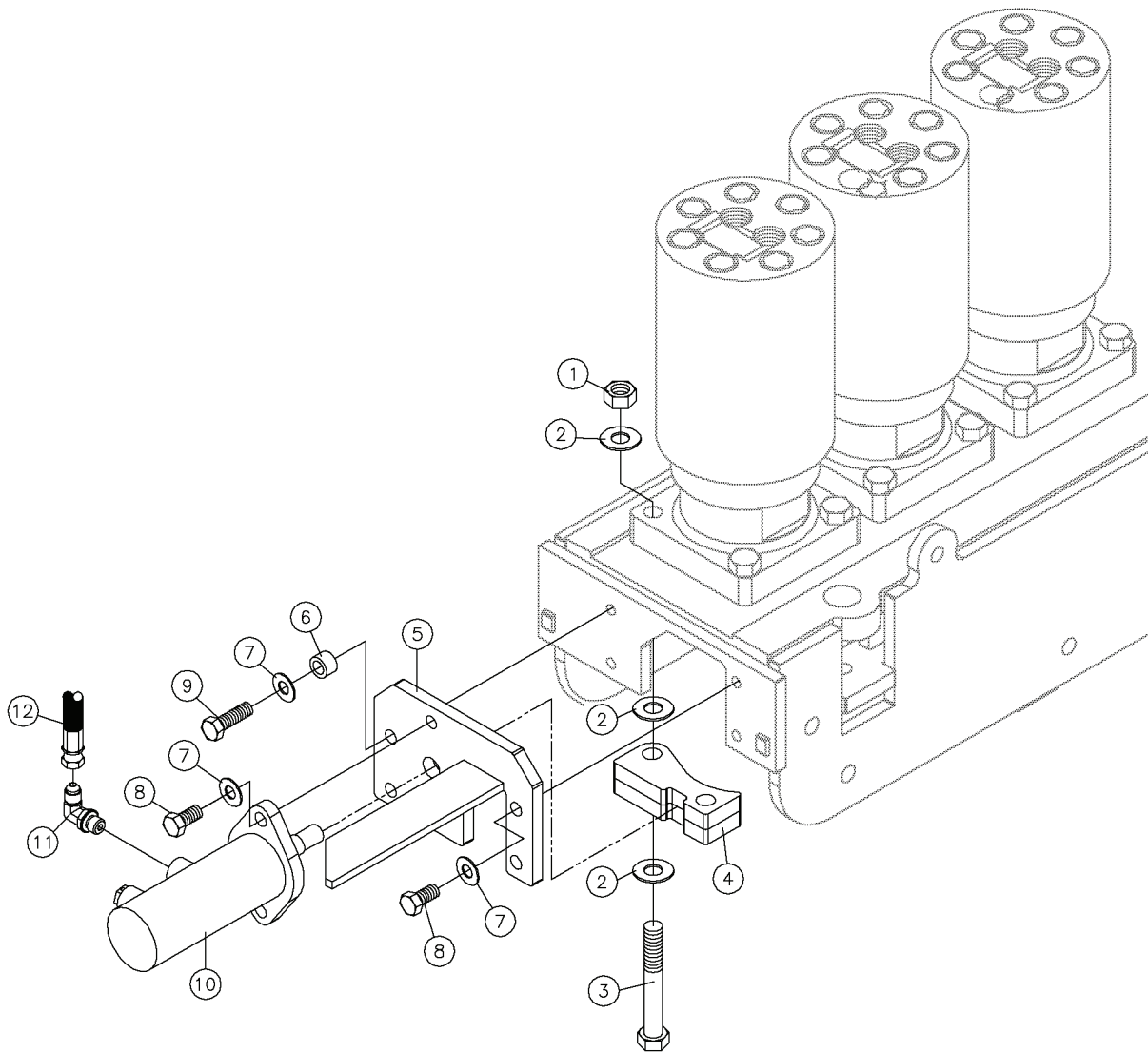




## Thrust/Pullback Hyd Motor Assy Fig 5-5r01

REF. NO.	*	PART NO.	DESCRIPTION	QTY.	REMARKS
		Revision Date	May, 2005		Update In Illustration & Parts List.
1		296257255	MOTOR - 20.6 CU. IN. HYD.	3	Breakdown On Fig 11-16
2		240334001	BOLT-1/2-13X1 3/4 GR8 ZINC PLT	11	
3		485025	WASHER-1/2 FLAT-HARDENED-ZINC	21	
4		282876001	GEAR - 16 T 5DP PINION	3	
5		485015	WASHER-5/8 FLAT	3	
6		296257353	SCREW - HCS-.63-18X1-GR8-YZ	3	
7		60910001	10MX12M JIC ST.ADAPTER	6	
8		296260493	HOSE - 3/4 X 7.5 ST/ST 12FSJIC 4000PSI	6	
9		288241001	TUBE - MANIFOLD	2	
10		296270894	HOSE-HYD-3/4X153 12FSJIC ST/ST 4000PSI	2	

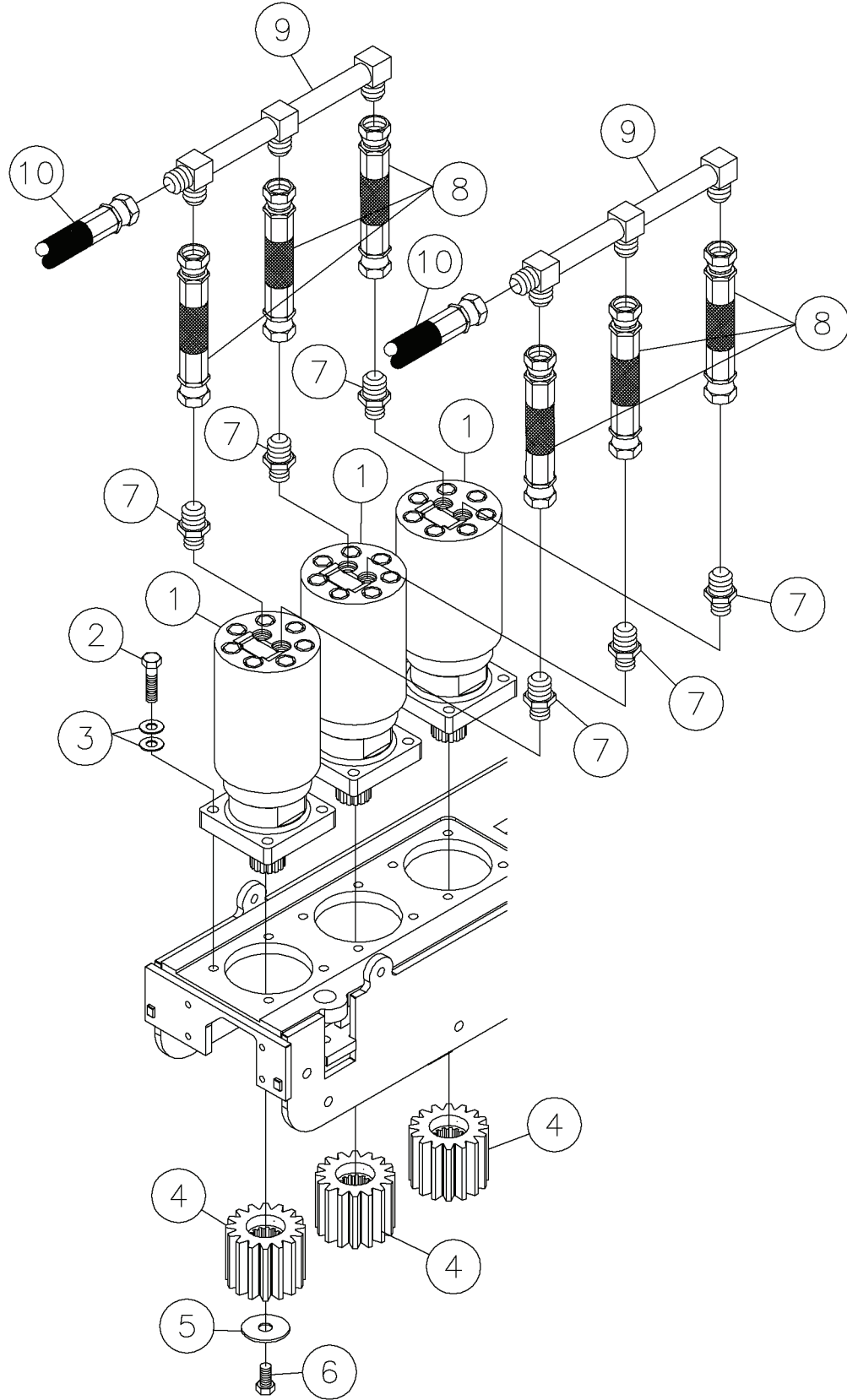
Carriage Brake Assy Fig 5-5x01



## Carriage Brake Assy Fig 5-5x01

REF. NO.	*	PART NO.	DESCRIPTION	QTY.	REMARKS
		Revision Date	May, 2005		Addition To Manual
1		235731001	NUT-1/2-13 GR8 ZINC PLTD	1	
2		485025	WASHER-1/2 FLAT-HARDENED-YZ	3	
3		243916001	1/2-13X3 1/2 HHCS FULL THD YZ	1	
4		296271430	BRAKE ARM	1	
5		296271438	BRAKE MOUNT	1	
6		296271440	SPACER TUBE	1	
7		235713001	WASHER - FLATSTRL - .38 - .41 X .81 - .06-YA-A325	6	
8		235726001	BOLT-3/8-16X3/4 GR8 HEX ZNCPLT	5	
9		235736001	BOLT-3/8-16X1 1/4 ZINC PLTD	1	
10		296271413	CYLINDER - BRAKE	1	
		296276762	SEAL KIT	1	
11		59423001	FIT-4M JICX4M ADJ.90 DEG.ELBOW	1	
12		296260435	HOSE - 1/4X174 ST/ST 4FSJIC 3300PSI SLVD	1	

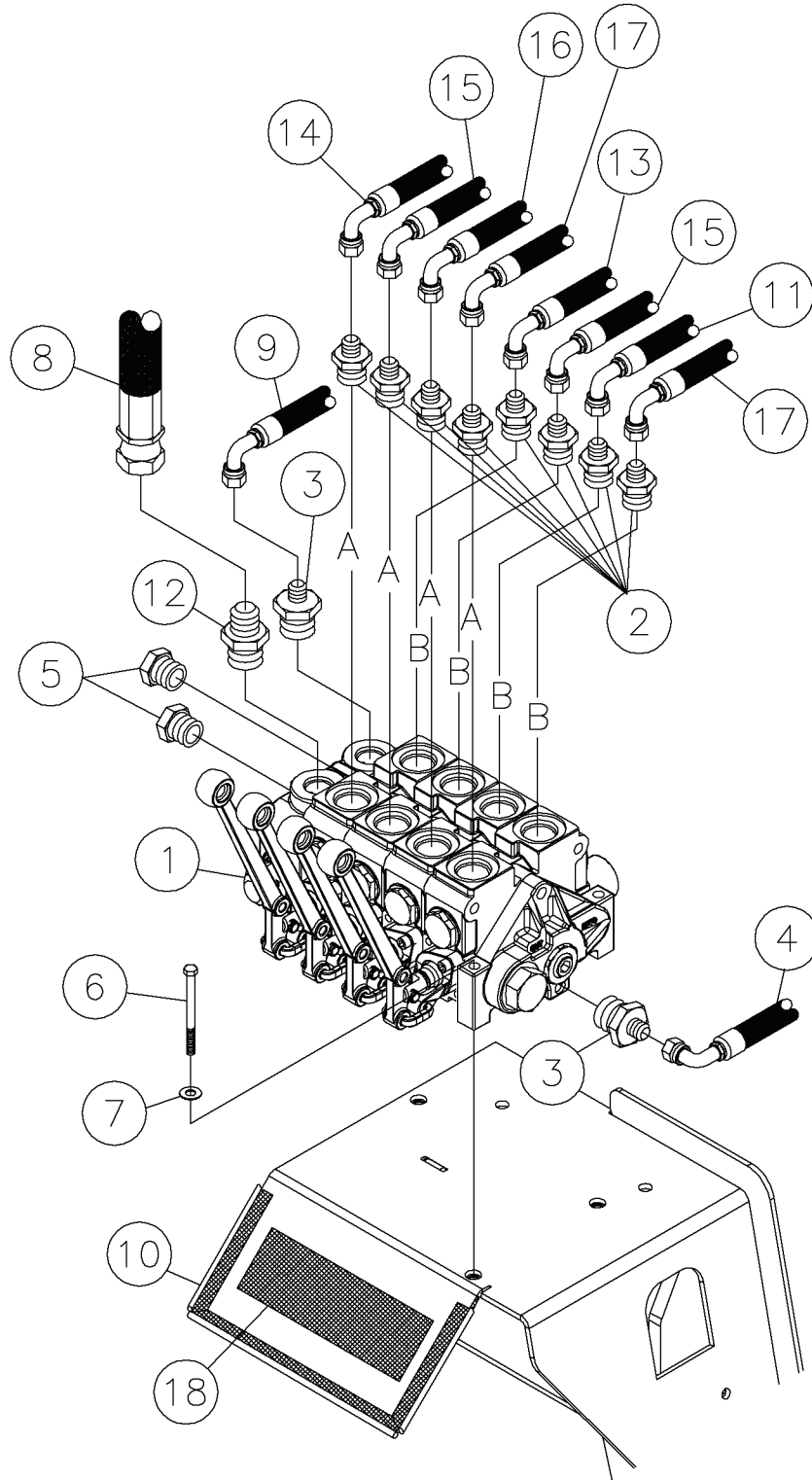
Thrust/Pullback Hyd Motor Assy Fig 5-5



## Thrust/Pullback Hyd Motor Assy Fig 5-5

REF. NO.	*	PART NO.	DESCRIPTION	QTY.	REMARKS
1		296257255	MOTOR - 20.6 CU. IN. HYD.	3	Breakdown On Fig 11-16
2		240334001	BOLT-1/2-13X1 3/4 GR8 ZINC PLT	12	
3		485025	WASHER-1/2 FLAT-HARDENED-ZINC	24	
4		282876001	GEAR - 16 T 5DP PINION	3	
5		485015	WASHER-5/8 FLAT	3	
6		296257353	SCREW - HCS-.63-18X1-GR8-YZ	3	
7		60910001	10MX12M JIC ST.ADAPTER	6	
8		296260493	HOSE - 3/4 X 7.5 ST/ST 12FSJIC 4000PSI	6	
9		288241001	TUBE - MANIFOLD	2	
10		296260477	HOSE - 3/4X147 ST/ST 12FSJIC4000PSI SLVD	2	

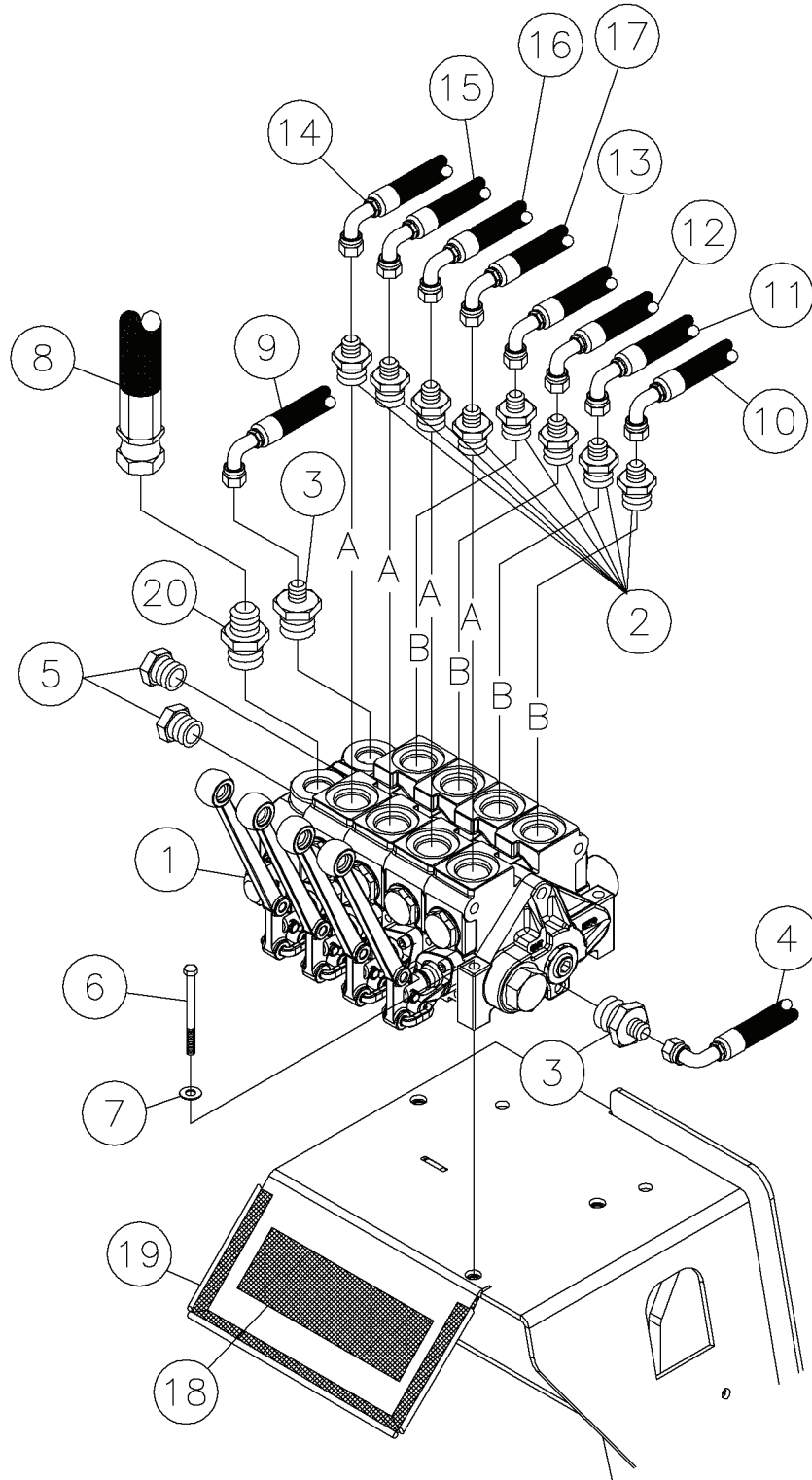
Stakedown Hyd Valve Assy Fig 5-6r02



## Stakedown Hyd Valve Assy Fig 5-6r02

REF. NO.	*	PART NO.	DESCRIPTION	QTY.	REMARKS
		Revision Date	May, 2005		Update In Illustration & Parts List.
1		296257243	VALVE - 4 - SECTION CONTROL	1	Breakdown On Fig 11-1
2		60247001	FITTING - 8M O-RING X 6M JIC ST.	8	
3		64168001	12MX6 JIC M STR.	2	
4		296275054	HOSE-3/8 X 30 6JIC ST/90 3000PSI	1	
5		4235001	FITTING - PLUG - 10MORB - HEX	2	
6		250502001	BOLT 5/16-18 X 2 3/4"GR8 HEX Y	3	
7		235714001	WASHER - FLATSTRL - .31 - .34 X .69 - .06-YZ-A325	6	
8		296275055	HOSE-5/8X115-10FSJIC-ST/90-3000PSI	1	
9		296260444	HOSE - 3/8 X 20 ST/90 6FSJIC 3300 PSI	1	
10		97456001	SEAL-BULB EDGE 1/8" STYLE	A/R	P/N Qty. Of 1 = 1 Foot
11		296260442	HOSE - 3/8 X 18 ST/90 6FSJIC 3300PSI	1	
12		53854001	12M O-RING-10M JIC ST.	1	
13		296279731	HOSE-3/8 X 21 6FSJ ST/90	1	
14		296279732	HOSE - 3/8 X 22 6FSJ ST/90	1	
15		296270890	HOSE-HYD-3/8X102 6FSJIC ST/90 3300PSI	2	
16		296260443	HOSE - 3/8 X 19 ST/90 6FSJIC 3300 PSI	1	
17		296279735	HOSE - 3/8 X65 6FSJ ST/ST	2	
18		700IB959	DECAL - STAKEDOWN	1	

Stakedown Hyd Valve Assy Fig 5-6r01

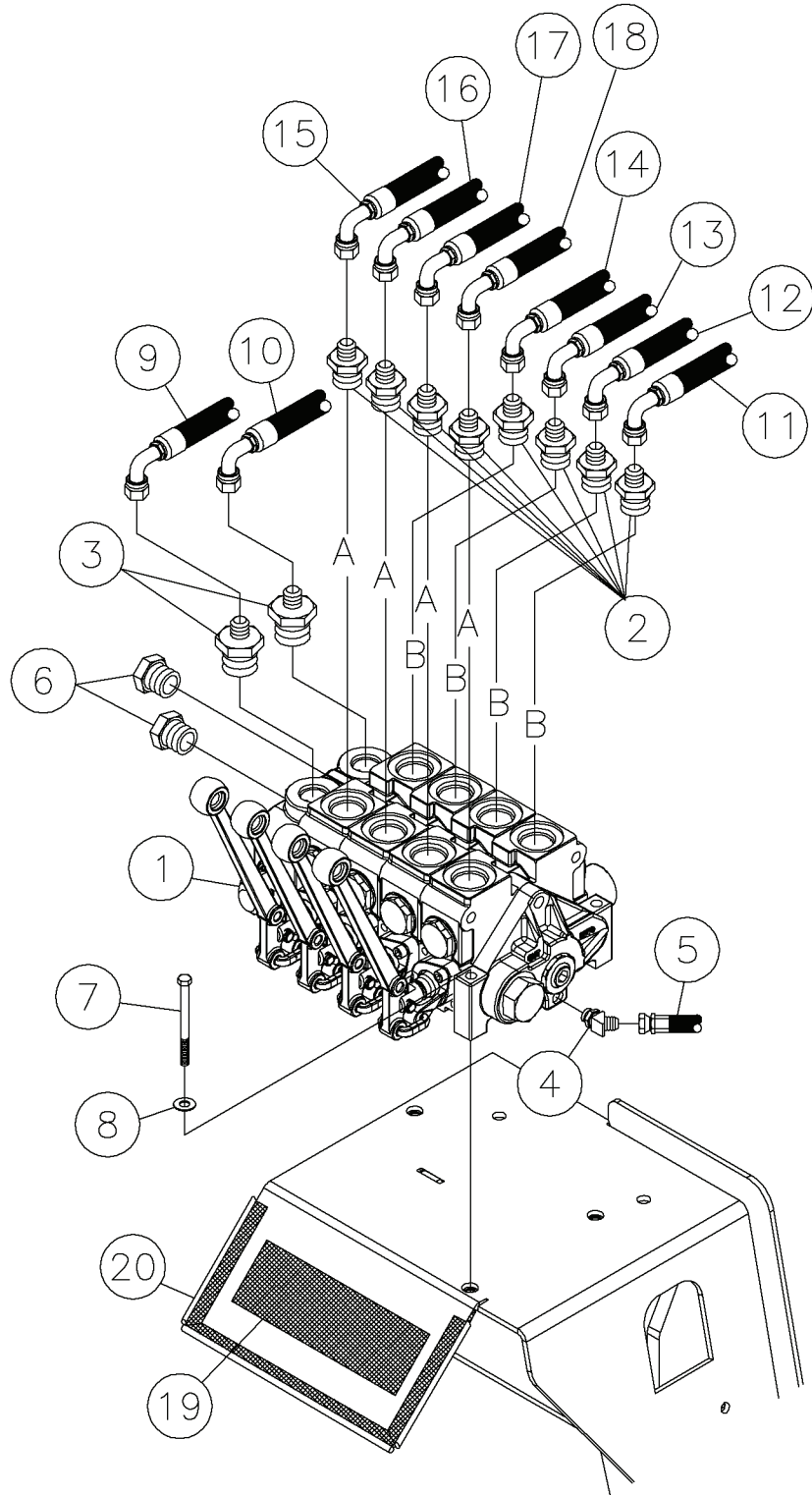




## Stakedown Hyd Valve Assy Fig 5-6r01

REF. NO.	*	PART NO.	DESCRIPTION	QTY.	REMARKS
		Revision Date	June, 2004		Update In Illustration & Parts List.
1		296257243	VALVE - 4 - SECTION CONTROL	1	Breakdown On Fig 11-1
2		60247001	FITTING - 8M O-RING X 6M JIC ST.	8	
3		64168001	12MX6 JIC M STR.	2	
4		296275054	HOSE-3/8 X 30 6JIC ST/90 3000PSI	1	
5		4235001	FITTING - PLUG - 10MORB - HEX	2	
6		250502001	BOLT 5/16-18 X 2 3/4"GR8 HEX Y	3	
7		235714001	WASHER - FLATSTRL - .31 - .34 X .69 - .06-YZ-A325	6	
8		296275055	HOSE-5/8X115-10FSJIC-ST/90-3000PSI	1	
9		296260444	HOSE - 3/8 X 20 ST/90 6FSJIC 3300 PSI	1	
10		296260452	HOSE - 3/8X43 ST/90 6FSJIC 3300PSI SLVD	1	
11		296260440	HOSE - 3/8 X 16 ST/90 6FSJIC 3300PSI	1	
12		296260454	HOSE - 3/8X90 ST/90 6FSJIC 3300PSI SLVD	1	
13		296260442	HOSE - 3/8 X 18 ST/90 6FSJIC 3300PSI	1	
14		296260443	HOSE - 3/8 X 19 ST/90 6FSJIC 3300 PSI	1	
15		296260456	HOSE - 3/8X96 ST/906FSJIC 3300PSI SLVD	1	
16		296260441	HOSE - 3/8 X 17 ST/90 6FSJIC 3300 PSI	1	
17		296260451	HOSE - 3/8X41 ST/90 6FSJIC 3300PSI SLVD	1	
18		700IB959	DECAL - STAKEDOWN	1	
19		97456001	SEAL-BULB EDGE 1/8" STYLE	A/R	P/N Qty. Of 1 = 1 Foot
20		53854001	12M O-RING-10M JIC ST.	1	

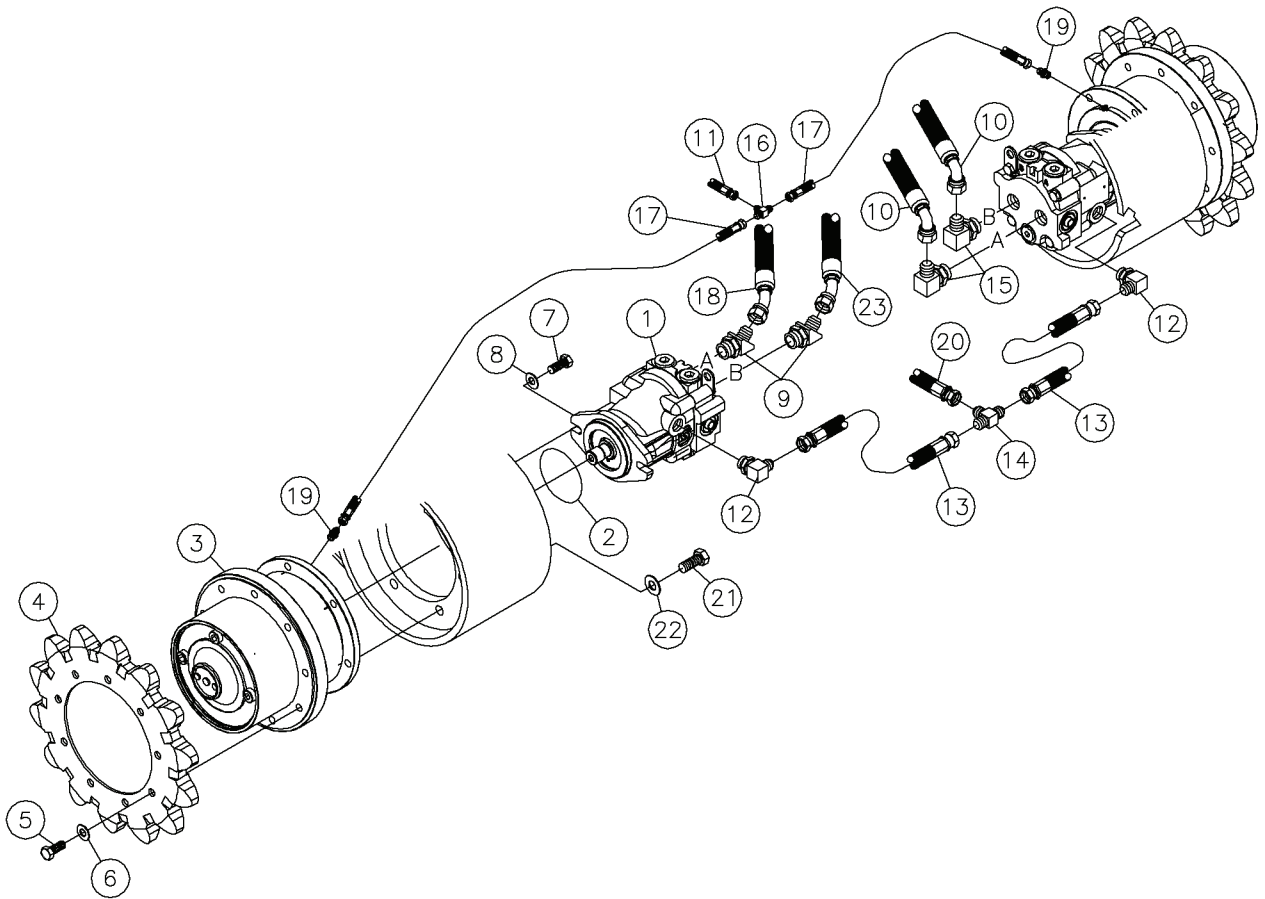
Stakedown Hyd Valve Assy Fig 5-6



## Stakedown Hyd Valve Assy Fig 5-6

REF. NO.	*	PART NO.	DESCRIPTION	QTY.	REMARKS
1		296257243	VALVE - 4 - SECTION CONTROL	1	Breakdown On Fig 11-1
2		60247001	FITTING - 8M O-RING X 6M JIC ST.	8	
3		64168001	12MX6 JIC M STR.	2	
4		58295001	FITTING-4M OR X 4M JIC 45 DEG.	1	
5		296260426	HOSE - 1/4 X 31 ST/90 4FSJIC 3300PSI	1	
6		4235001	FITTING - PLUG - 10MORB - HEX	2	
7		250502001	BOLT 5/16-18 X 2 3/4"GR8 HEX Y	3	
8		235714001	WASHER - FLATSTRL - .31 - .34 X .69 - .06-YZ-A325	6	
9		296260440	HOSE - 3/8 X 16 ST/90 6FSJIC 3300PSI	1	
10		296260444	HOSE - 3/8 X 20 ST/90 6FSJIC 3300 PSI	1	
11		296260452	HOSE - 3/8X43 ST/90 6FSJIC 3300PSI SLVD	1	
12		296260440	HOSE - 3/8 X 16 ST/90 6FSJIC 3300PSI	1	
13		296260454	HOSE - 3/8X90 ST/90 6FSJIC 3300PSI SLVD	1	
14		296260442	HOSE - 3/8 X 18 ST/90 6FSJIC 3300PSI	1	
15		296260443	HOSE - 3/8 X 19 ST/90 6FSJIC 3300 PSI	1	
16		296260456	HOSE - 3/8X96 ST/906FSJIC 3300PSI SLVD	1	
17		296260441	HOSE - 3/8 X 17 ST/90 6FSJIC 3300 PSI	1	
18		296260451	HOSE - 3/8X41 ST/90 6FSJIC 3300PSI SLVD	1	
19		700IB959	DECAL - STAKEDOWN	1	
20		97456001	SEAL-BULB EDGE 1/8" STYLE	A/R	P/N Qty. Of 1 = 1 Foot

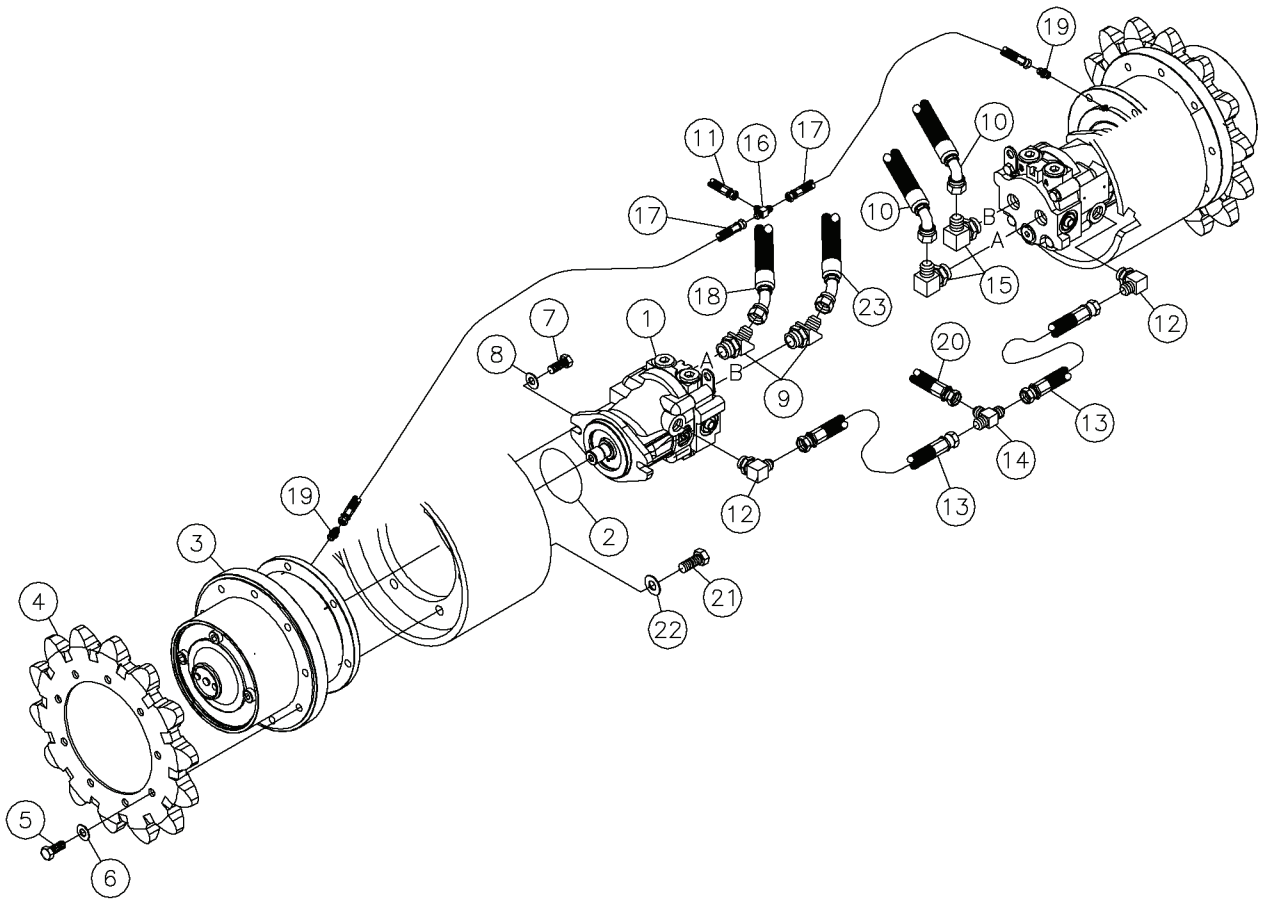
Track Drive Hyd Assy Fig 5-7r01



## Track Drive Hyd Assy Fig 5-7r01

REF. NO.	*	PART NO.	DESCRIPTION	QTY.	REMARKS
		Revision Date	May, 2005		Update In Illustration & Parts List.
1		296266590	MOTOR - 2.7 CU. IN. HYD.	2	
		70027003	SEAL-LIP	2	
2		296251909	O-RING	2	
3		296272083	PLANETARY - TRACK DRIVE	2	Breakdown On Fig 11-21
4		296280339	SPROCKET-14 TOOTH DRIVE	2	
5		24772001	BOLT-12M X 35 GR. 8.8 HEX HEAD	36	
6		238249001	12MM HARD WASHER Y/ ZINC	36	
7		235737001	BOLT-1/2-13X1 1/4 GR8 ZINC PLT	4	
8		485025	WASHER-1/2 FLAT-HARDENED-ZINC	4	
9		88659001	FITTING-12M ORINGX10MJIC 45DEG	2	
10		296270822	HOSE - 5/8 X 56 ST/45 10FSJIC 4000PSI	2	
11		296260429	HOSE - 1/4 X 57 ST/ST 4FSJIC 3300 PSI	1	
12		59407001	8M JICX10M ADJ. 90 DEG.ELBOW	2	
13		53844005	HOSE-1/2X12 8FS JIC (100R2)	2	
14		61363001	8M JIC TEE	1	
15		59409001	10M JICX12M ADJ. 90 DEG.ELBOW	2	
16		54387001	FITTING-#4M JIC UNION TEE	1	
17		296260415	HOSE - 1/4 X 14 ST/ST 4FSJIC 3300PSI	2	
18		296270821	HOSE-5/8X60 ST/45 10FSJIC 4000PSI	1	
19		60908001	FITTING-4MX4M JIC STR ADAPTER	2	
20		296260462	HOSE - 1/2 X 49 STsT 8FSJIC 500PSI	1	
21		230727001	BOLT-5/8-11X1 1/2GR8 PLATED	12	
22		235715001	WASHER-5/8 SAE HARD ZINC PLTD	12	
23		296270823	HOSE - 5/8 X 57 ST/45 10FSJIC 4000PSI	1	

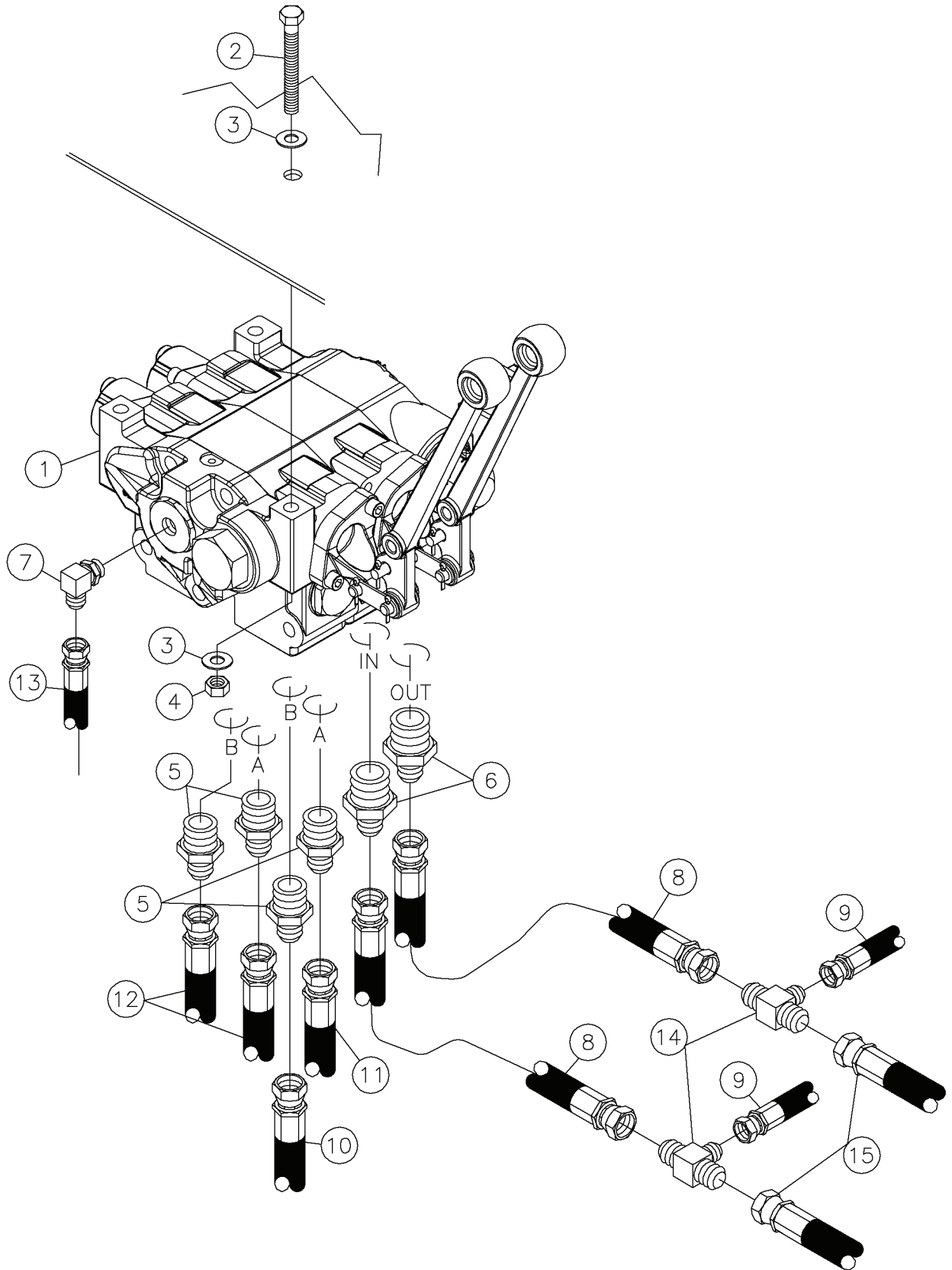
Track Drive Hyd Assy Fig 5-7



## Track Drive Hyd Assy Fig 5-7

REF. NO.	*	PART NO.	DESCRIPTION	QTY.	REMARKS
1		296266590	MOTOR - 2.7 CU. IN. HYD.	2	
		70027003	SEAL-LIP	2	
2		296251909	O-RING	2	
3		278290001	PLANETARY - TRACK DRIVE	2	Breakdown On Fig 11-21
4		296266645	SPROCKET - 14 TOOTH	2	
5		24772001	BOLT-12M X 35 GR. 8.8 HEX HEAD	36	
6		238249001	12MM HARD WASHER Y/ ZINC	36	
7		235737001	BOLT-1/2-13X1 1/4 GR8 ZINC PLT	4	
8		485025	WASHER-1/2 FLAT-HARDENED-ZINC	4	
9		88659001	FITTING-12M ORINGX10MJIC 45DEG	2	
10		296270822	HOSE - 5/8 X 56 ST/45 10FSJIC 4000PSI	2	
11		296260429	HOSE - 1/4 X 57 ST/ST 4FSJIC 3300 PSI	1	
12		59407001	8M JICX10M ADJ. 90 DEG.ELBOW	2	
13		53844005	HOSE-1/2X12 8FS JIC (100R2)	2	
14		61363001	8M JIC TEE	1	
15		59409001	10M JICX12M ADJ. 90 DEG.ELBOW	2	
16		54387001	FITTING-#4M JIC UNION TEE	1	
17		296260415	HOSE - 1/4 X 14 ST/ST 4FSJIC 3300PSI	2	
18		296270821	HOSE-5/8X60 ST/45 10FSJIC 4000PSI	1	
19		60908001	FITTING-4MX4M JIC STR ADAPTER	2	
20		296260462	HOSE - 1/2 X 49 STsT 8FSJIC 500PSI	1	
21		230727001	BOLT-5/8-11X1 1/2GR8 PLATED	12	
22		235715001	WASHER-5/8 SAE HARD ZINC PLTD	12	
23		296270823	HOSE - 5/8 X 57 ST/45 10FSJIC 4000PSI	1	

Rack Pivot Hyd Valve Assy Fig 5-8

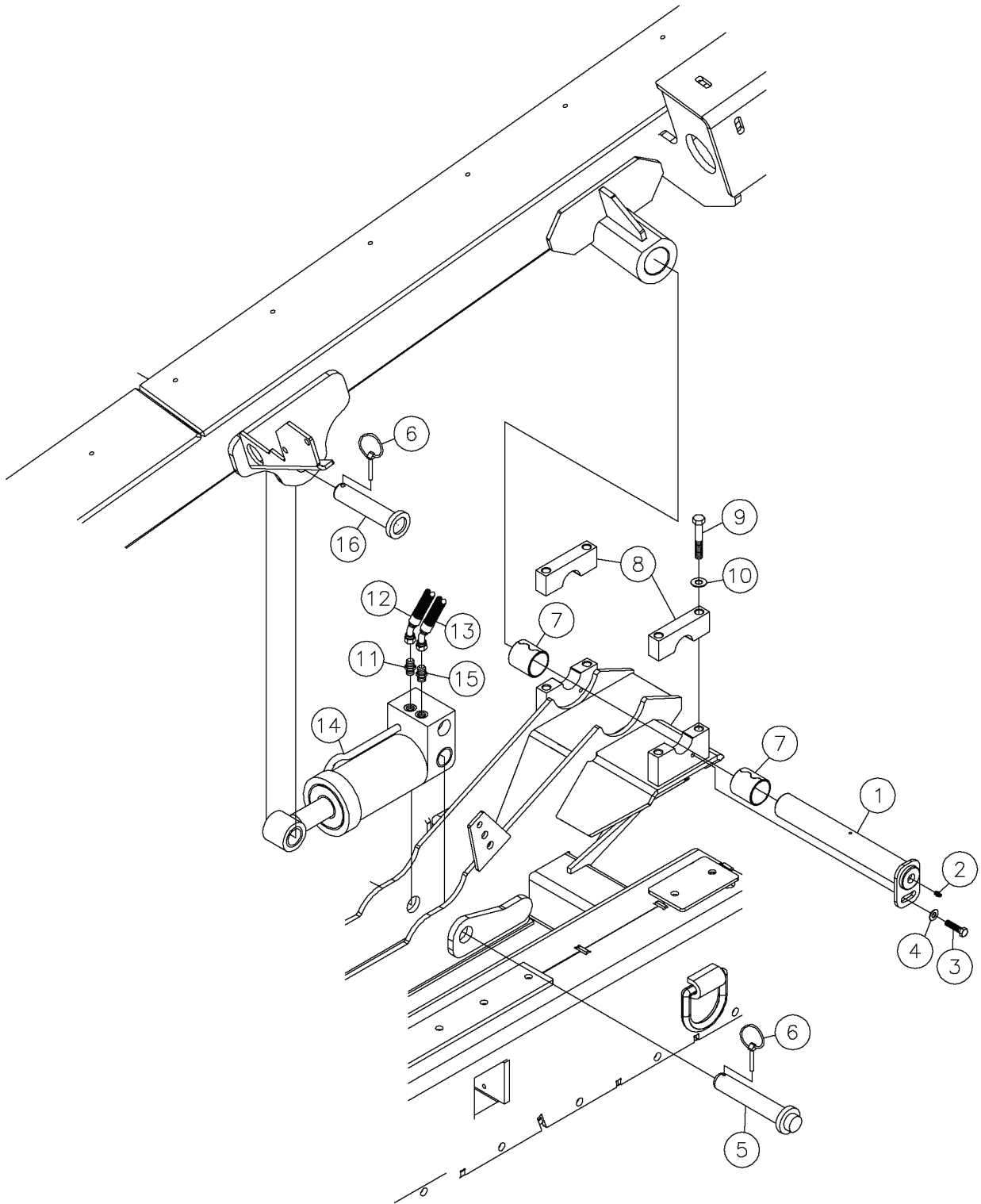




## Rack Pivot Hyd Valve Assy Fig 5-8

REF. NO.	*	PART NO.	DESCRIPTION	QTY.	REMARKS
1		296257181	VALVE - 2 - SECTION	1	Breakdown On Fig 11-2
2		250502001	BOLT 5/16-18 X 2 3/4"GR8 HEX Y	3	
3		235714001	WASHER - FLATSTRL - .31 - .34 X .69 - .06-YZ-A325	6	
4		235741001	NUT - HEX - .31 - 18 - GR8 - YZ	3	
5		60247001	FITTING - 8M O-RING X 6M JIC ST.	4	
6		57946001	10MX#6JIC ST ADAPTER	2	
7		59423001	FIT-4M JICX4M ADJ.90 DEG.ELBOW	1	
8		296260448	HOSE - 3/8 X 30 ST/ST 6FSJIC 3300PSI	2	
9		296269294	HOSE-HYD-1/4X28 4FSJIC ST/90 3300PSI	2	
10		296269300	HOSE-HYD-3/8X96 6FSJIC ST/45 3300PSI	1	
11		296260455	HOSE - 3/8 X 93 6FSJIC ST/45 3300 PSI	1	
12		296269289	HOSE-HYD-3/8X95 6FSJIC ST/ST 3300 PSI	2	
13		296260433	HOSE - 1/4 X 90 ST/ST 4FSJIC 3300 PSI	1	
14		296270825	6JICX6JICX4JIC	2	
15		296269291	HOSE-HYD-3/8X60 6FSJIC ST/ST 3300 PSI	2	

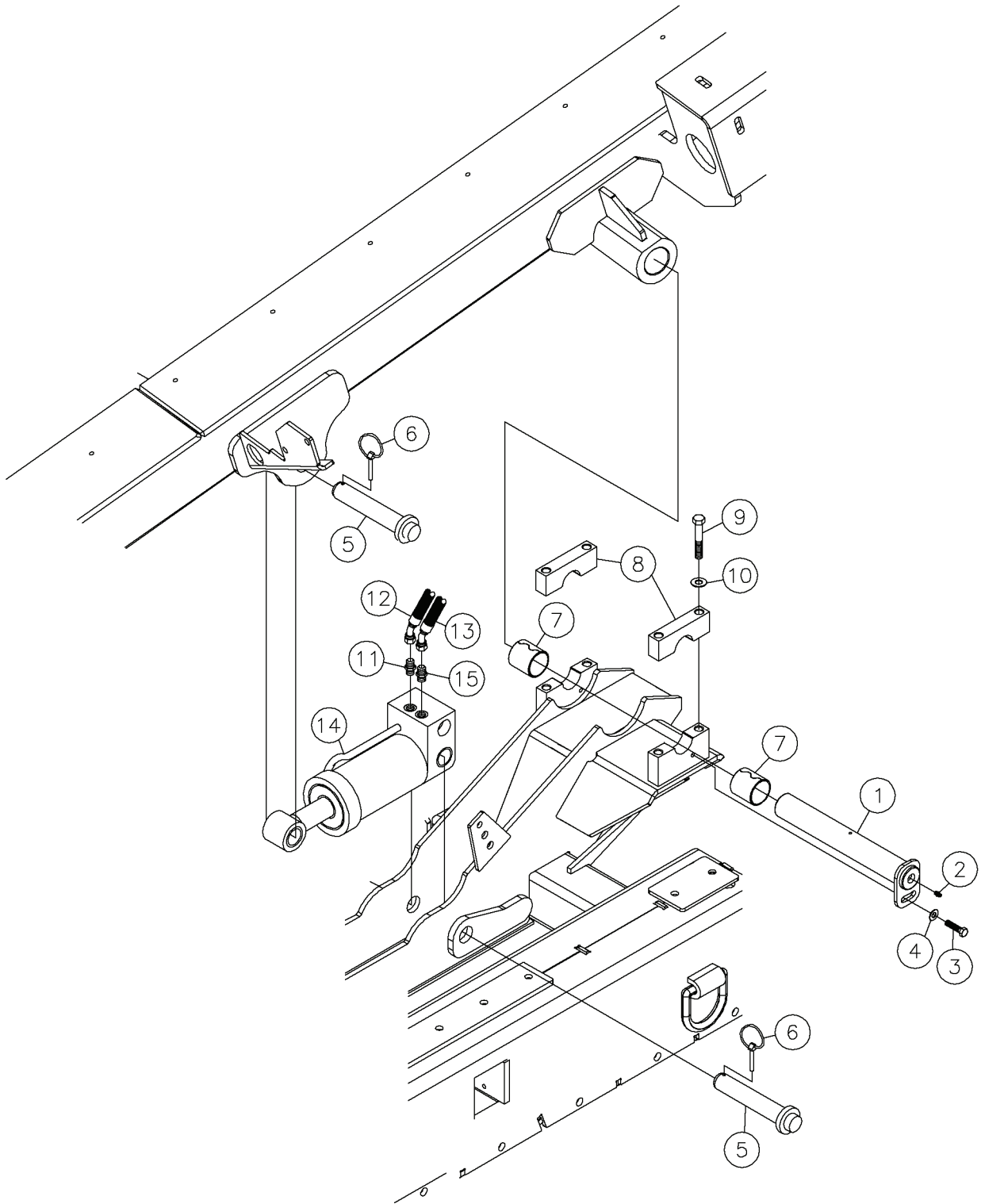
Rack Pivot Hyd Cylinder Assy Fig 5-9r01



## Rack Pivot Hyd Cylinder Assy Fig 5-9r01

REF. NO.	*	PART NO.	DESCRIPTION	QTY.	REMARKS
		Revision Date	February, 2004		Update In Illustration & Parts List.
1		296266594	PIN - PIVOT	1	
2		598001	FITTING-1/4" NF ST GREASE ZERK	1	
3		235727001	BOLT-3/8-16X1 GR8 HEX ZINC PLT	1	
4		235713001	WASHER - FLATSTRL - .38 - .41 X .81 - .06-YA-A325	1	
5		281752001	PIN - PIVOT	1	
6		1797003	PIN-QUICK ATTACHMENT LATCH 1/4" - "6M DIA"	2	
7		282797001	BUSHING - SPRING 2 X 1 3/4 X 2	2	
8		296266551	PIVOT - TOP CAP	2	
9		238240001	Bolt 1/2" 13x5 1/2" Grade 8 Hex Y Zinc	4	
10		485025	WASHER-1/2 FLAT-HARDENED-ZINC	4	
11		600087001	FIT-6MO-RINGX6MJIC ST.W/R.062	1	
12		296260455	HOSE - 3/8 X 93 6FSJIC ST/45 3300 PSI	1	
13		296269300	HOSE-HYD-3/8X96 6FSJIC ST/45 3300PSI	1	
14		296270800	CYLINDER - 3.50 X 4.00 HYD.	1	Breakdown On Fig 11-20
15		65565001	FITTING - 6M O-RING X 6M JIC ST.	1	
16		296270837	PIN-LIFT CYLINDER	1	

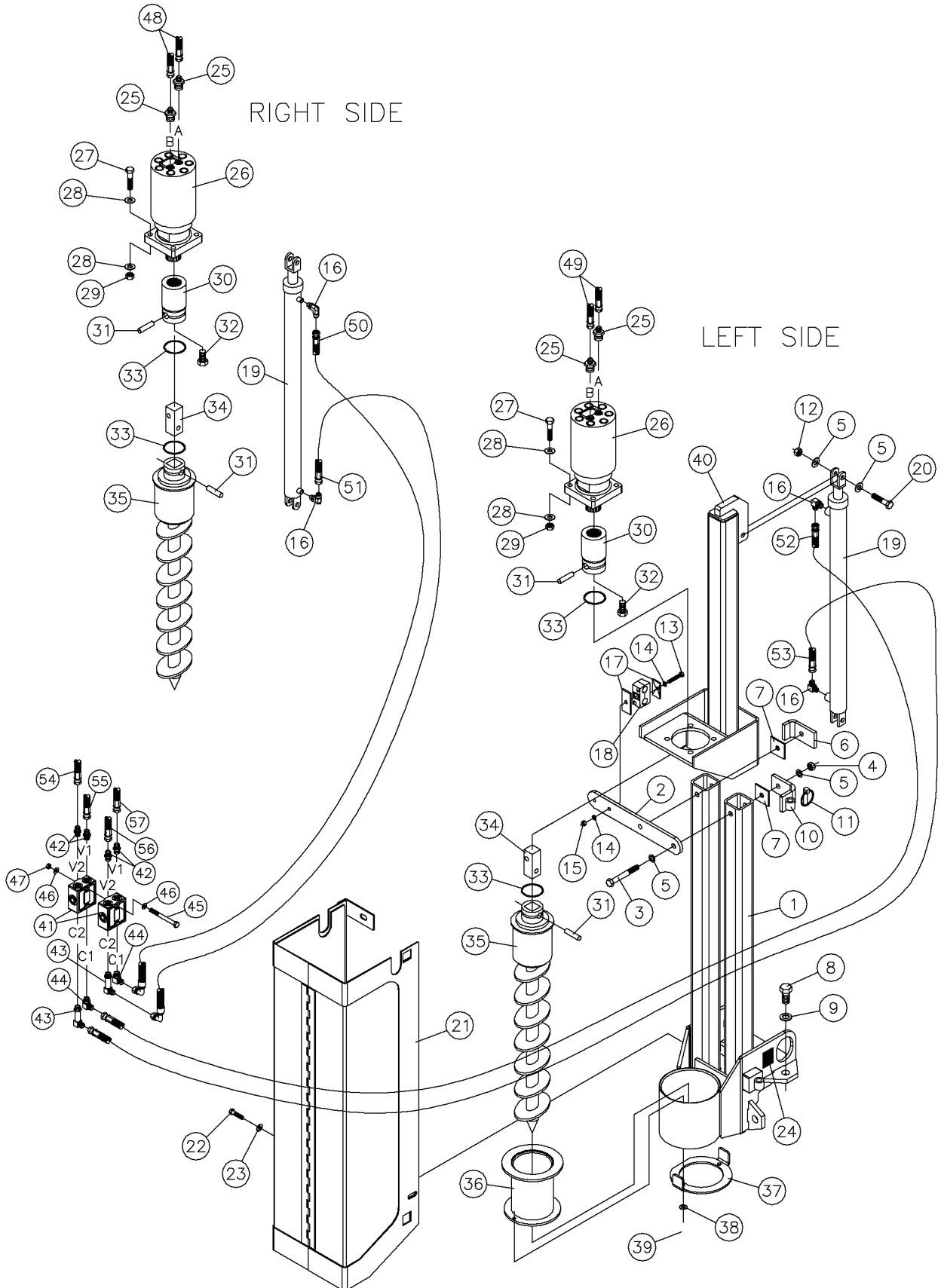
Rack Pivot Hyd Cylinder Assy Fig 5-9



## Rack Pivot Hyd Cylinder Assy Fig 5-9

REF. NO.	*	PART NO.	DESCRIPTION	QTY.	REMARKS
1		296266594	PIN - PIVOT	1	
2		598001	FITTING-1/4" NF ST GREASE ZERK	1	
3		235727001	BOLT-3/8-16X1 GR8 HEX ZINC PLT	1	
4		235713001	WASHER - FLATSTRL - .38 - .41 X .81 - .06-YA-A325	1	
5		281752001	PIN - PIVOT	2	
6		1797003	PIN-QUICK ATTACHMENT LATCH 1/4"- "6M DIA"	2	
7		282797001	BUSHING - SPRING 2 X 1 3/4 X 2	2	
8		296266551	PIVOT - TOP CAP	2	
9		238240001	Bolt 1/2" 13x5 1/2" Grade 8 Hex Y Zinc	4	
10		485025	WASHER-1/2 FLAT-HARDENED-ZINC	4	
11		600087001	FIT-6MO-RINGX6MJIC ST.W/R.062	1	
12		296260455	HOSE - 3/8 X 93 6FSJIC ST/45 3300 PSI	1	
13		296269300	HOSE-HYD-3/8X96 6FSJIC ST/45 3300PSI	1	
14		296270800	CYLINDER - 3.50 X 4.00 HYD.	1	Breakdown On Fig 11-20
15		65565001	FITTING - 6M O-RING X 6M JIC ST.	1	

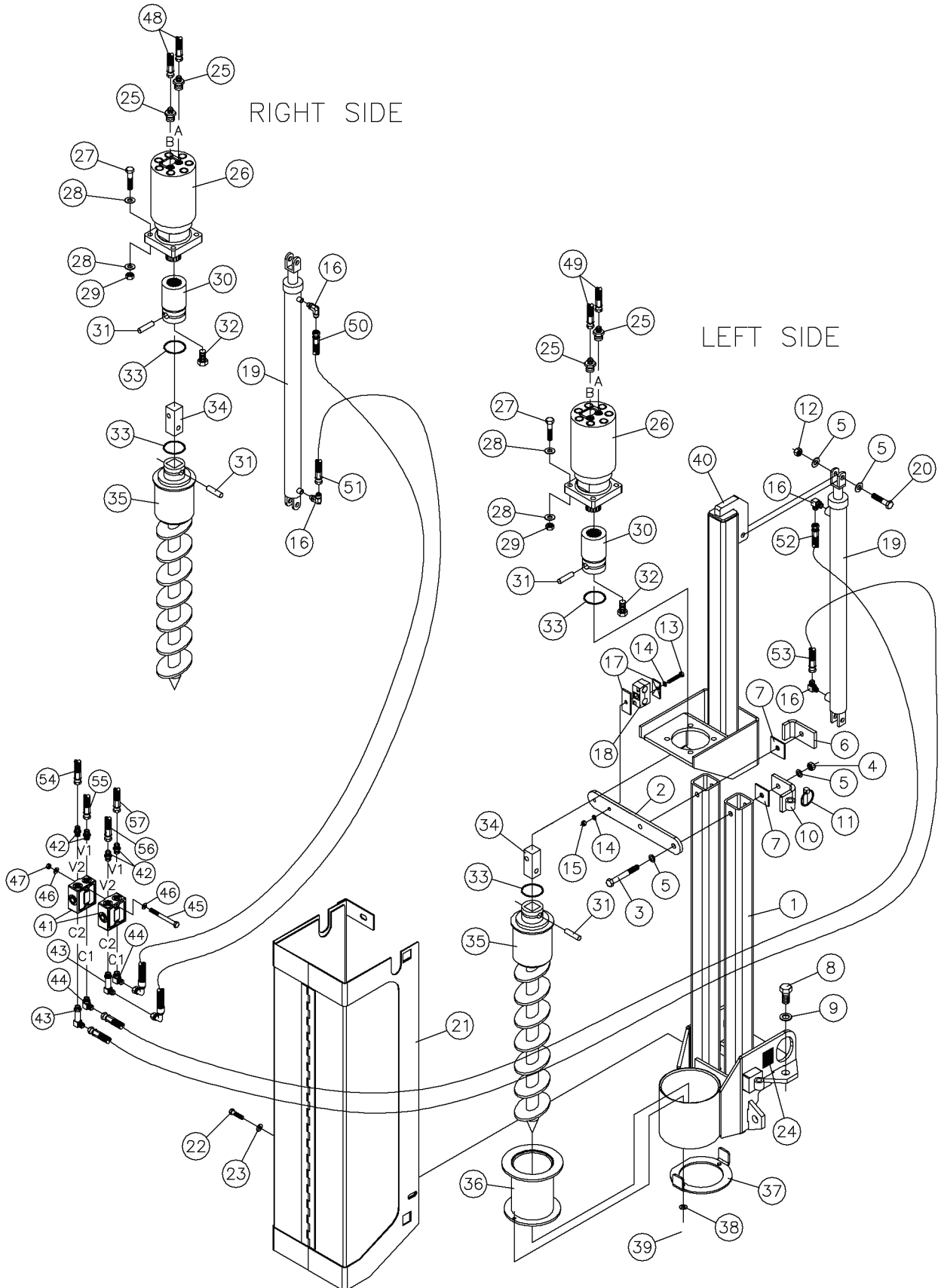
Stakedown Hyd Assy Fig 5-10r01



## Stakedown Hyd Assy Fig 5-10r01

REF. NO.	*	PART NO.	DESCRIPTION	QTY.	REMARKS
		Revision Date	May, 2005		Update In Illustration & Parts List.
1		296275488	WELDMENT - TOWER STAKEDOWN LEFT	1	
		296275489	WELDMENT-TOWER STAKEDOWN RIGHT	1	
2		279150001	BAR-LIGHT REINFORCEMENT	2	
3		296275065	SCREW - 1/2-13 X 4.25 GR.8 Y/ZINC	4	
4		235731001	NUT-1/2-13 GR8 ZINC PLTD	4	
5		485025	WASHER-1/2 FLAT-HARDENED-YZ	16	
6		236232001	BAR-GUIDE	2	
7		236233001	PLATE-SPACER	4	
8		385014	BOLT-3/4"-10X1 1/2 GR.8 HEX	8	
9		235717001	WASHER - 3/4" HARDENED FLAT YZ	8	
10		296280264	WELDMENT-MOUNT STAKEDOWN GUARD-UPPER	2	
11		1797001	PIN-QUICK TACH. 7/16X1 3/4	4	
12		75382001	NUT-1/2-UNC GRADE 8 SLTL	4	
13		244147001	BOLT-5/16-18X2 1/4 GR8 ZINC PL	2	
14		235714001	WASHER - FLATSTRL - .31 - .34 X .69 - .06-YZ-A325	4	
15		235741001	NUT - HEX - .31 - 18 - GR8 -YZ	2	
16		60906001	4MX6M JIC 90 DEG ELBOW	4	
17		67846003	PLATE-TWIN COVER	2	
18		900035005	CLAMP-3/8"DOUBLE HOSE(COMplete)	4	
19		287588001	CYLINDER - 1-1/2 X 24	2	
		287588006	ROD ASSEMBLY	1	
		287588002	SEAL KIT	1	
20		235718001	BOLT-1/2-13X2 GR8 HEX ZINC PLT	4	
21		296275486	WELDMENT - STAKE DOWN SHIELD LEFT	1	
		296275438	WELDMENT - STAKEDOWN SHIELD	1	
22		235723001	SCREW - HCS -.38 - 16 X 1.50 - GR8 - YZ	4	
23		235713001	WASHER - FLATSTRL - .38 - .41 X .81 - .06-YA-A325	4	
24		70001834	DECAL - TIE DOWN POINT	2	
			Continued On Next Page		

Stakedown Hyd Assy (Continued) Fig 5-10r01

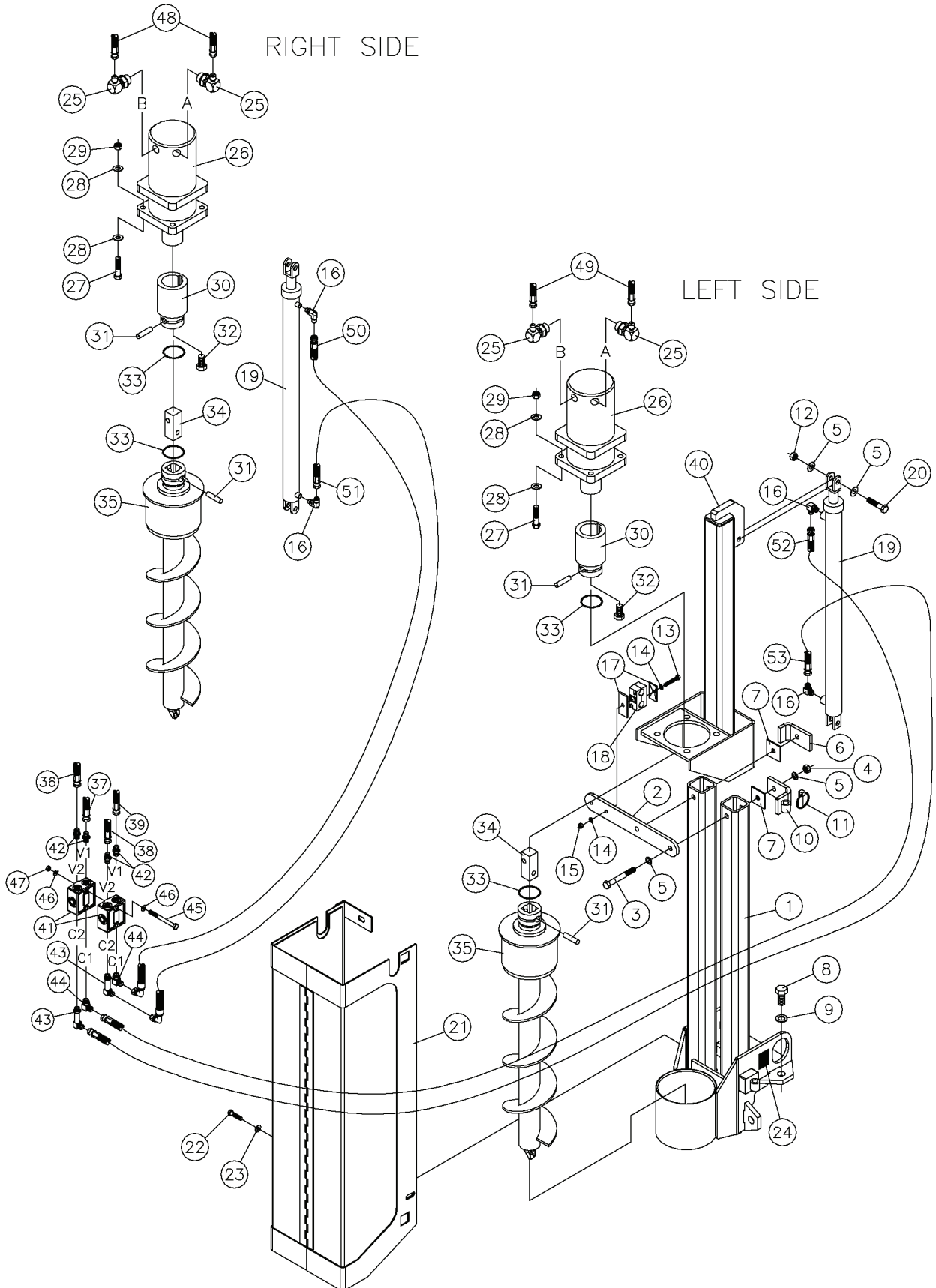




## Stakedown Hyd Assy (Continued) Fig 5-10r01

REF. NO.	*	PART NO.	DESCRIPTION	QTY.	REMARKS
		Revision Date	May, 2005		Update In Illustration & Parts List.
25		57946001	10MX#6JIC ST ADAPTER	4	
26		296257255	MOTOR - 20.6 CU. IN. HYD.	2	Breakdown Fig. 11-16
27		240335001	BOLT-1/2-13X2 1/4 GR8 ZINC PLT	8	
28		485025	WASHER-1/2 FLAT-HARDENED-YZ	16	
29		250512001	NUT- 1/2 NC Gr8 TOP LOCK Y/ ZINC	8	
30		296257177	COUPLER - STAKEDOWN	2	
31		236200001	PIN-STAKE KEEPER	4	
32		384012	BOLT-5/8-18X1 1/4 GRADE 8	2	
33		236229001	O-RING - 329	4	
34		236230001	BAR-STAKE DRIVE	2	
35		236197001	STAKE-4" SQ. DRIVE	2	
36		296279715	TUBE-4" STAKE	2	
37		296279719	TUBE - LOCK	2	
38		235713001	WASHER - FLATSTRL - .38 - .41 X .81 - .06-YA-A325	4	
39		235727001	BOLT-3/8-16X1 GR8 HEX ZINC PLT	4	
40		296279714	MOUNT - SLIDE MOTOR	2	
41		86668001	VALVE-LOA-6-D	2	Breakdown Fig. 11-3
42		65565001	FITTING - 6M O-RING X 6M JIC ST.	4	
43		157172001	FITTING - 6M X 6M JIC LL 90 DEG	2	
44		59426001	FITTING - 90-6MJ-6MORBA	2	
45		250503001	BOLT 5/16 - 18 X 3 3/4 Gr8 HEX	2	
46		235714001	WASHER - FLATSTRL - .31 - .34 X .69 - .06-YZ-A325	4	
47		235741001	NUT - HEX - .31 - 18 - GR8 - YZ	2	
48		296279735	HOSE - 3/8 X65 6FSJ ST/ST	2	
49		296270890	HOSE-HYD-3/8X102 6FSJIC ST/90 3300PSI	2	
50		296260446	HOSE - 3/8 X 28 ST/90 6FSJIC3300PSI SLVD	1	
51		296260445	HOSE-3/8X27 ST/90 6FSJIC 3300 PSI SLVD	1	
52		57940423	HOSE-3/8X52 6FS JIC 4000 PSI	1	
53		296279734	HOSE - 3/8 X 40 6FSJ ST/ST	1	
54		296279732	HOSE - 3/8 X 22 6FSJ ST/90	1	
55		296279731	HOSE-3/8 X 21 6FSJ ST/90	1	
56		296260443	HOSE - 3/8 X 19 ST/90 6FSJIC 3300 PSI	1	
57		296260442	HOSE - 3/8 X 18 ST/90 6FSJIC 3300PSI	1	

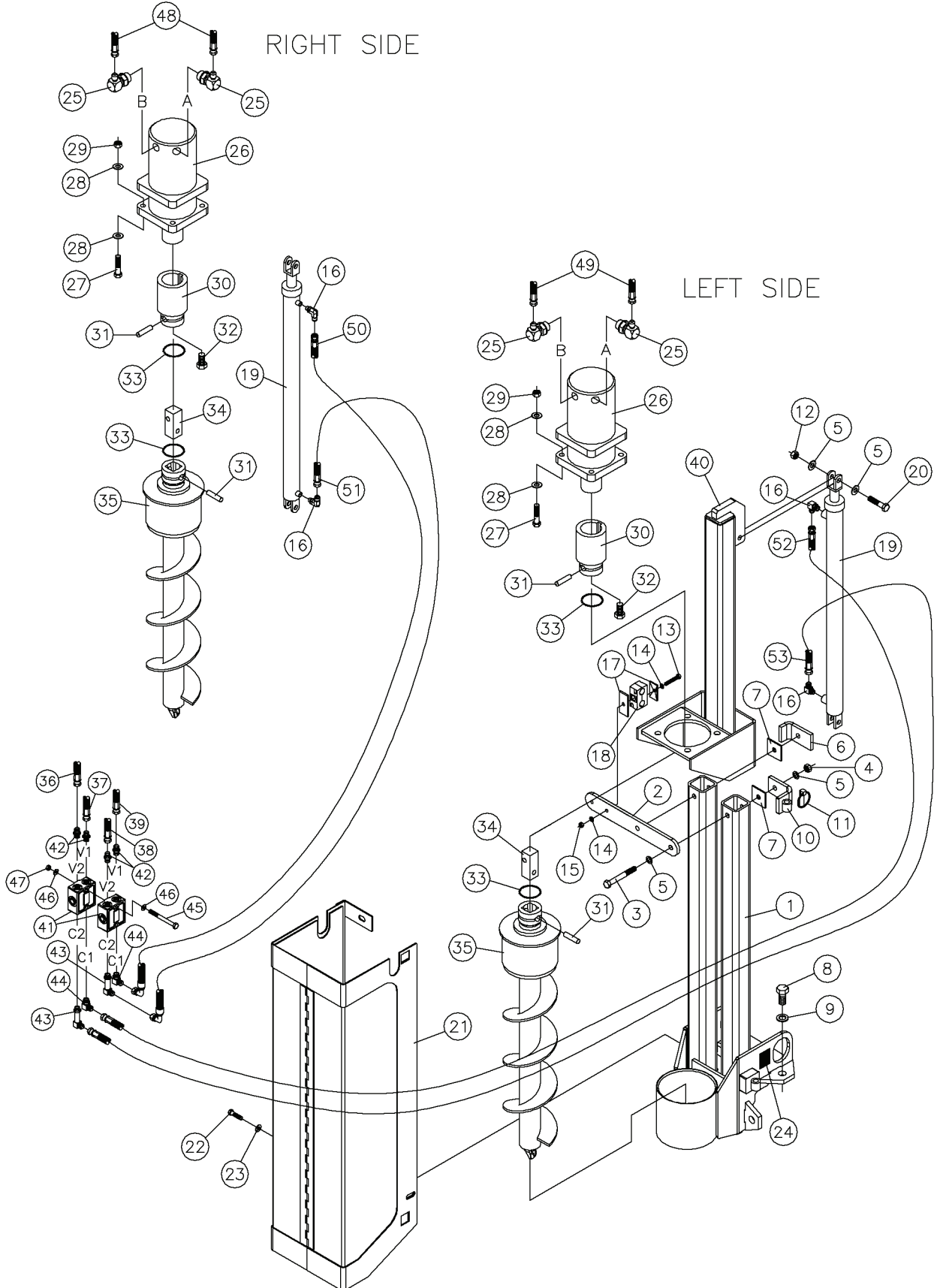
Stakedown Hyd Assy-6" Option Fig 5-10x01



## Stakedown Hyd Assy-6" Option Fig 5-10x01

REF. NO.	*	PART NO.	DESCRIPTION	QTY.	REMARKS
		Revision Date	May, 2005		Update In Illustration & Parts List.
1		296275488	WELDMENT - TOWER STAKEDOWN LEFT	1	
		296275489	WELDMENT-TOWER STAKEDOWN RIGHT	1	
2		279150001	BAR-LIGHT REINFORCEMENT	2	
3		296275065	SCREW - 1/2-13 X 4.25 GR.8 Y/ZINC	4	
4		235731001	NUT-1/2-13 GR8 ZINC PLTD	4	
5		485025	WASHER-1/2 FLAT-HARDENED-YZ	16	
6		236232001	BAR-GUIDE	2	
7		236233001	PLATE-SPACER	4	
8		385014	BOLT-3/4"-10X1 1/2 GR.8 HEX	8	
9		235717001	WASHER - 3/4" HARDENED FLAT YZ	8	
10		296280264	WELDMENT-MOUNT STAKEDOWN GUARD-UPPER	2	
11		1797001	PIN-QUICK TACH. 7/16X1 3/4	4	
12		75382001	NUT-1/2-UNC GRADE 8 SLTL	4	
13		244147001	BOLT-5/16-18X2 1/4 GR8 ZINC PL	2	
14		235714001	WASHER - FLATSTRL - .31 - .34 X .69 - .06-YZ-A325	4	
15		235741001	NUT - HEX - .31 - 18 - GR8 -YZ	2	
16		60906001	4MX6M JIC 90 DEG ELBOW	4	
17		67846003	PLATE-TWIN COVER	2	
18		900035005	CLAMP-3/8"DOUBLE HOSE(COMplete)	4	
19		287588001	CYLINDER - 1-1/2 X 24	2	
		287588006	ROD ASSEMBLY	1	
		287588002	SEAL KIT	1	
20		235718001	BOLT-1/2-13X2 GR8 HEX ZINC PLT	4	
21		296275486	WELDMENT - STAKE DOWN SHIELD LEFT	1	
		296275438	WELDMENT - STAKEDOWN SHIELD	1	
22		235723001	SCREW - HCS -.38 - 16 X 1.50 - GR8 - YZ	4	
23		235713001	WASHER - FLATSTRL - .38 - .41 X .81 - .06-YA-A325	4	
24		70001834	DECAL - TIE DOWN POINT	2	
			Continued On Next Page		

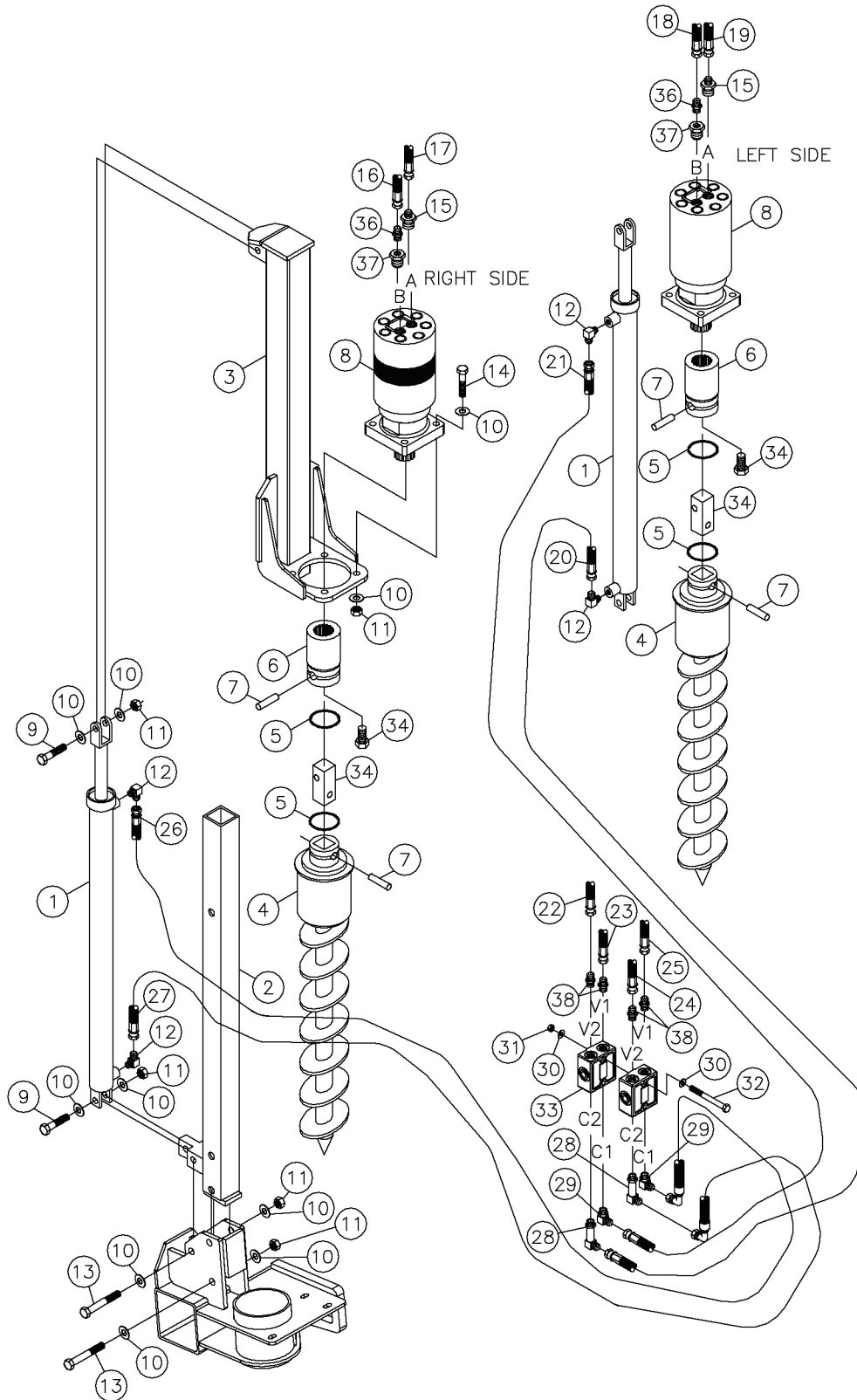
Stakedown Hyd Assy-6" Option (Continued) Fig 5-10x01



## Stakedown Hyd Assy-6" Option (Continued) Fig 5-10x01

REF. NO.	*	PART NO.	DESCRIPTION	QTY.	REMARKS
		Revision Date	May, 2005		Update In Illustration & Parts List.
25		102115001	FITTING - 90 - 6MJ - 12MORBA	4	
26		236219001	HYD MOTOR-66CI	2	Breakdown Fig. 11-26
27		238245001	BOLT 5/8" - 11 X 2 1/4 Gr 8 HEX	8	
28		235715001	WASHER-5/8 SAE HARD ZINC PLTD	16	
29		238221001	NUT - HEX -.63 - 11 - GR8 - YZ	8	
30		236205001	HUB-STAKE DRIVE	2	
31		236200001	PIN-STAKE KEEPER	4	
32		384012	BOLT-5/8-18X1 1/4 GRADE 8	2	
33		236229001	O-RING - 329	4	
34		236230001	BAR-STAKE DRIVE	2	
35		232484001	STAKE-6" FLIGHT	2	
36		296279732	HOSE - 3/8 X 22 6FSJ ST/90	1	
37		296279731	HOSE-3/8 X 21 6FSJ ST/90	1	
38		296260443	HOSE - 3/8 X 19 ST/90 6FSJIC 3300 PSI	1	
39		296260442	HOSE - 3/8 X 18 ST/90 6FSJIC 3300PSI	1	
40		296265765	MOUNT - SLIDE MOTOR	2	
41		86668001	VALVE-LOA-6-D	2	Breakdown Fig. 11-3
42		65565001	FITTING - 6M O-RING X 6M JIC ST.	4	
43		157172001	FITTING - 6M X 6M JIC LL 90 DEG	2	
44		59426001	FITTING - 90-6MJ-6MORBA	2	
45		250503001	BOLT 5/16 - 18 X 3 3/4 Gr8 HEX	2	
46		235714001	WASHER - FLATSTRL - .31 - .34 X .69 - .06-YZ-A325	4	
47		235741001	NUT - HEX - .31 - 18 - GR8 - YZ	2	
48		296279735	HOSE - 3/8 X65 6FSJ ST/ST	2	
49		296270890	HOSE-HYD-3/8X102 6FSJIC ST/90 3300PSI	2	
50		296260446	HOSE - 3/8 X 28 ST/90 6FSJIC3300PSI SLVD	1	
51		296260445	HOSE-3/8X27 ST/90 6FSJIC 3300 PSI SLVD	1	
52		57940423	HOSE-3/8X52 6FS JIC 4000 PSI	1	
53		296279734	HOSE - 3/8 X 40 6FSJ ST/ST	1	

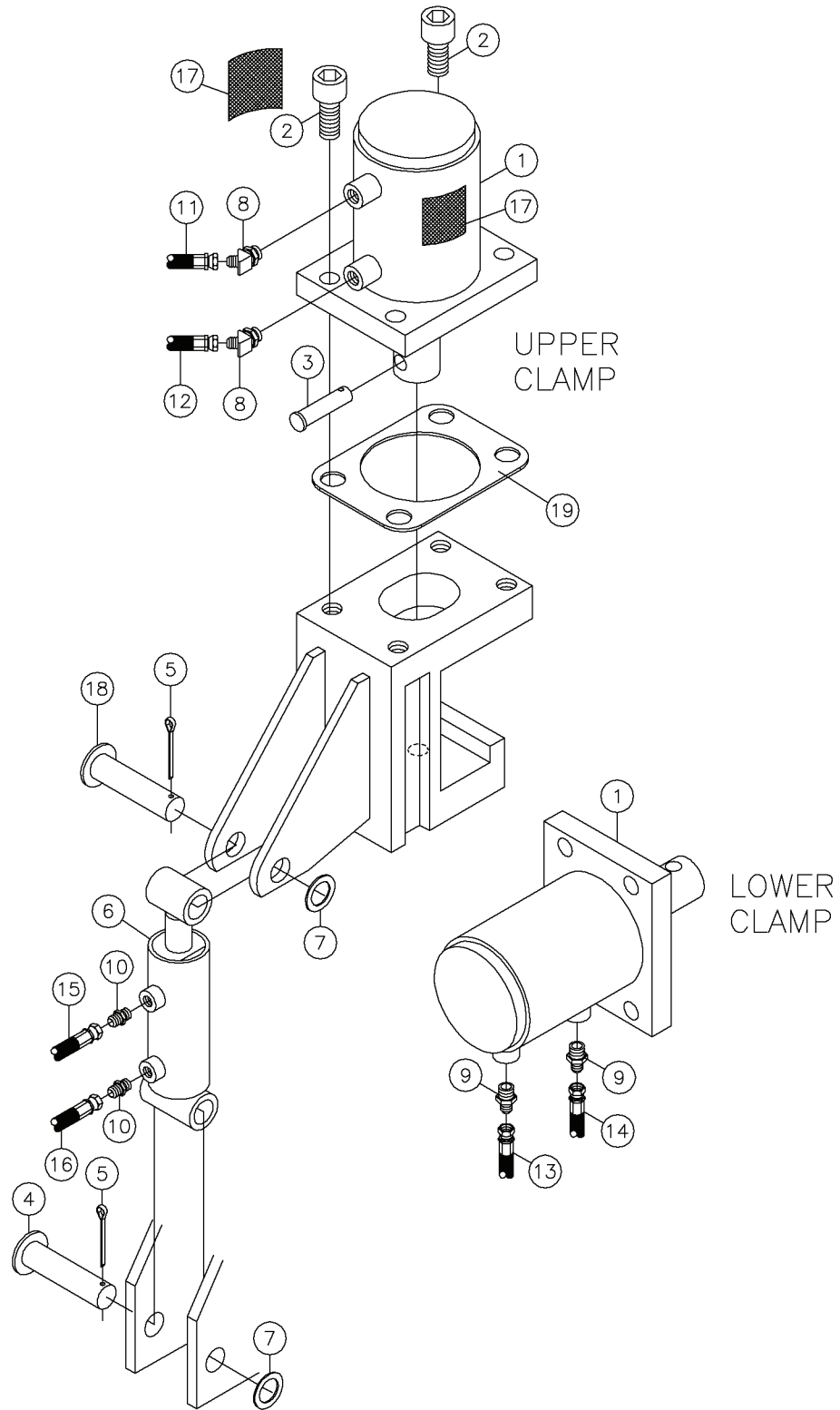
Stakedown Hyd Assy Fig 5-10



## Stakedown Hyd Assy Fig 5-10

REF. NO.	*	PART NO.	DESCRIPTION	QTY.	REMARKS
1		287588001	CYLINDER - 1-1/2 X 24	2	
		287588006	ROD ASSEMBLY	1	
		287588002	SEAL KIT	1	
2		232408001	TUBE-STAKE	2	
3		296269021	TUBE - STAKEDOWN SLIDE	2	
4		236197001	STAKE-4" SQ. DRIVE	2	
5		236229001	O-RING - 329	4	
6		296257177	COUPLER - STAKEDOWN	2	
7		236200001	PIN-STAKE KEEPER	4	
8		296257255	MOTOR - 20.6 CU. IN. HYD.	2	Breakdown On Fig 11-16
9		240335001	BOLT-1/2-13X2 1/4 GR8 ZINC PLT	4	
10		485025	WASHER-1/2 FLAT-HARDENED-ZINC	32	
11		250512001	NUT- 1/2 NC Gr8 TOP LOCK Y/ ZINC	16	
12		60906001	4MX6M JIC 90 DEG ELBOW	4	
13		238241001	BOLT 1/2"-13X 3 1/2" GR8 HEX	4	
14		240335001	BOLT-1/2-13X2 1/4 GR8 ZINC PLT	8	
15		57946001	10MX#6JIC ST ADAPTER	2	
16		296260452	HOSE - 3/8X43 ST/90 6FSJIC 3300PSI SLVD	1	
17		296260451	HOSE - 3/8X41 ST/90 6FSJIC 3300PSI SLVD	1	
18		296260454	HOSE - 3/8X90 ST/90 6FSJIC 3300PSI SLVD	1	
19		296260456	HOSE - 3/8X96 ST/906FSJIC 3300PSI SLVD	1	
20		296260447	HOSE -3/8 X 29 ST/ST 6FSJIC 3300PSI SLVD	1	
21		296260453	HOSE - 3/8X48 ST/ST 6FSJIC 3300PSI SLVD	1	
22		296260443	HOSE - 3/8 X 19 ST/90 6FSJIC 3300 PSI	1	
23		296260442	HOSE - 3/8 X 18 ST/90 6FSJIC 3300PSI	1	
24		296260441	HOSE - 3/8 X 17 ST/90 6FSJIC 3300 PSI	1	
25		296260440	HOSE - 3/8 X 16 ST/90 6FSJIC 3300PSI	1	
26		296260446	HOSE - 3/8 X 28 ST/90 6FSJIC3300PSI SLVD	1	
27		296260445	HOSE-3/8X27 ST/90 6FSJIC 3300 PSI SLVD	1	
28		157172001	FITTING - 6M X 6M JIC LL 90 DEG	2	
29		59426001	FITTING - 90-6MJ-6MORBA	2	
30		235714001	WASHER - FLATSTRL - .31 - .34 X .69 - .06-YZ-A325	4	
31		235741001	NUT - HEX - .31 - 18 - GR8 -YZ	2	
32		250503001	BOLT 5/16 - 18 X 3 3/4 Gr8 HEX	2	
33		86668001	VALVE-LOA-6-D	2	Breakdown On Fig 11-3
34		236230001	BAR-STAKE DRIVE	2	
35		384012	BOLT-5/8-18X1 1/4 GRADE 8	2	
36		65565001	FITTING - 6M O-RING X 6M JIC ST.	2	
37		57967001	FITTING - STR - 10MORB - 6FORB	2	
38		65565001	FITTING - 6M O-RING X 6M JIC ST.	4	

Clamp Rotation Hyd Cylinder Assy Fig 5-11r01

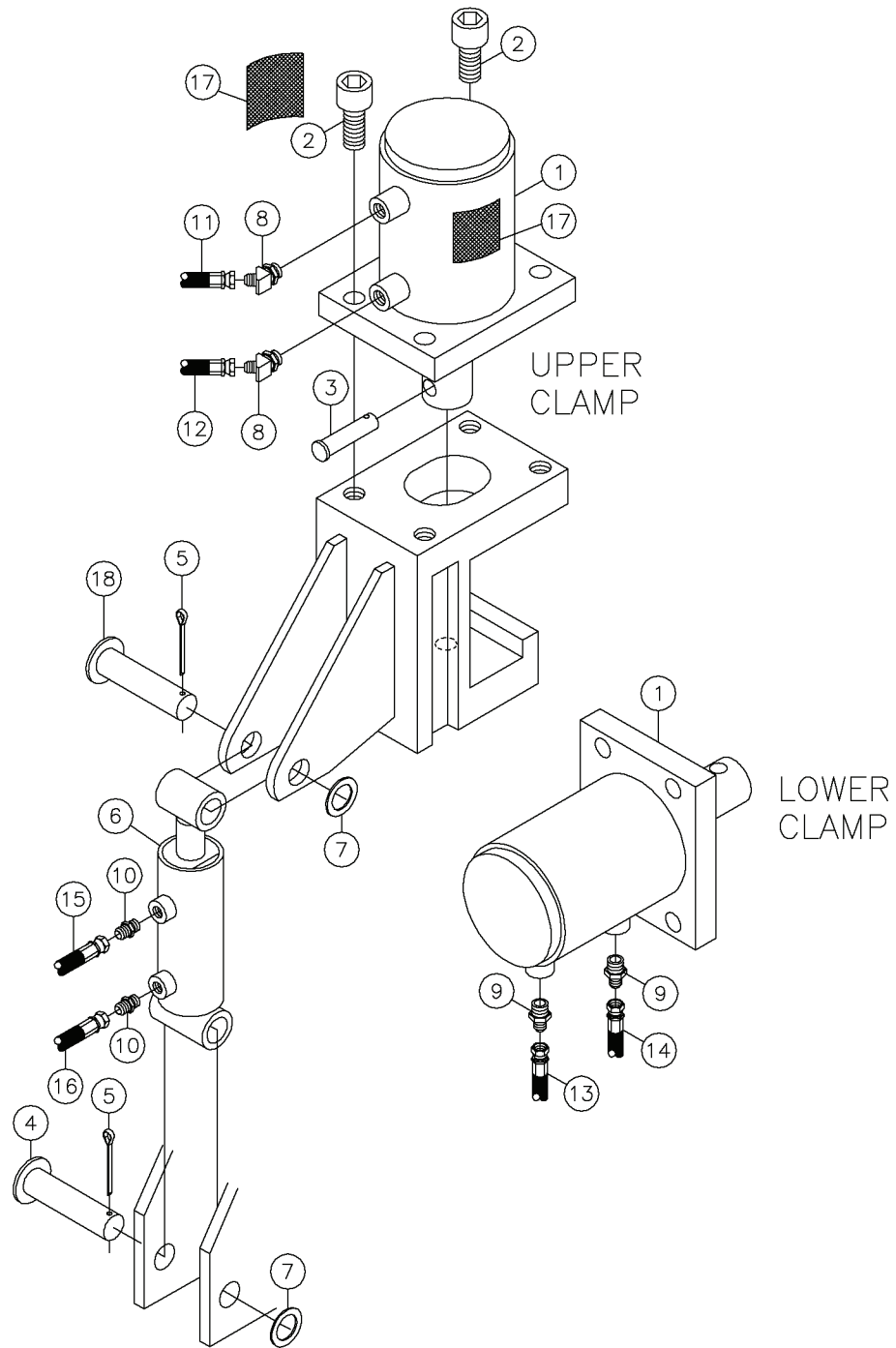




## Clamp Rotation Hyd Cylinder Assy Fig 5-11r01

REF. NO.	*	PART NO.	DESCRIPTION	QTY.	REMARKS
		Revision Date	March, 2008		Change Number
1		232454001	CYLINDER-4X2	2	
	*	296302414	ROD-CYLINDER	1	
		221730013	SEAL KIT	1	
2		121827020	SCREW-7/8-14X2 SK.HD. CAP GR.8	8	
3		240032001	PIN-.620X2 33/64 BALL LOCK	2	
4		241664001	PIN-TILT	1	
5		510025	COTTER PIN-3/16" X 2"	2	
6		229412001	CYLINDER-2X2	1	
		229412007	ROD ASSEMBLY	1	
		229412009	SEAL KIT	1	
7		483005	WASHER-1 1/2X1X14 GA M.B.	2	
8		82931001	FITTING-6MX4M JIC 45DEG.ELBOW	2	
9		57968001	FITTING-STR-4MJ-6MORB	2	
10		60908001	FITTING-4MX4M JIC STR ADAPTER	2	
11		296260427	HOSE - 1/4 X 32 ST/ST 4FSJIC 3300PSI	1	
12		296260425	HOSE - 1/4 X 28 ST/ST 4FSJIC 3300PSI	1	
13		296260420	HOSE - 1/4 X17 ST/ST 4FSJIC 3300PSI SLVD	1	
14		296260418	HOSE - 1/4 X 16 ST/ST 4FSJIC3300PSI SLVD	1	
15		53843497	HOSE-1/4X13 4FS JIC 5000 PSI	1	
16		296260419	HOSE - 1/4 X17 ST/ST 4FSJIC 3300PSI	1	
17		7000A864	DECAL-WARNING DOMESTIC	1	
		700IA864	DECAL-WARNING INTERNATIONAL	1	
18		1795009	CYL. PIN - 1" X 3 1/4"	1	
19		296282029	PLATE-SHIM	1	

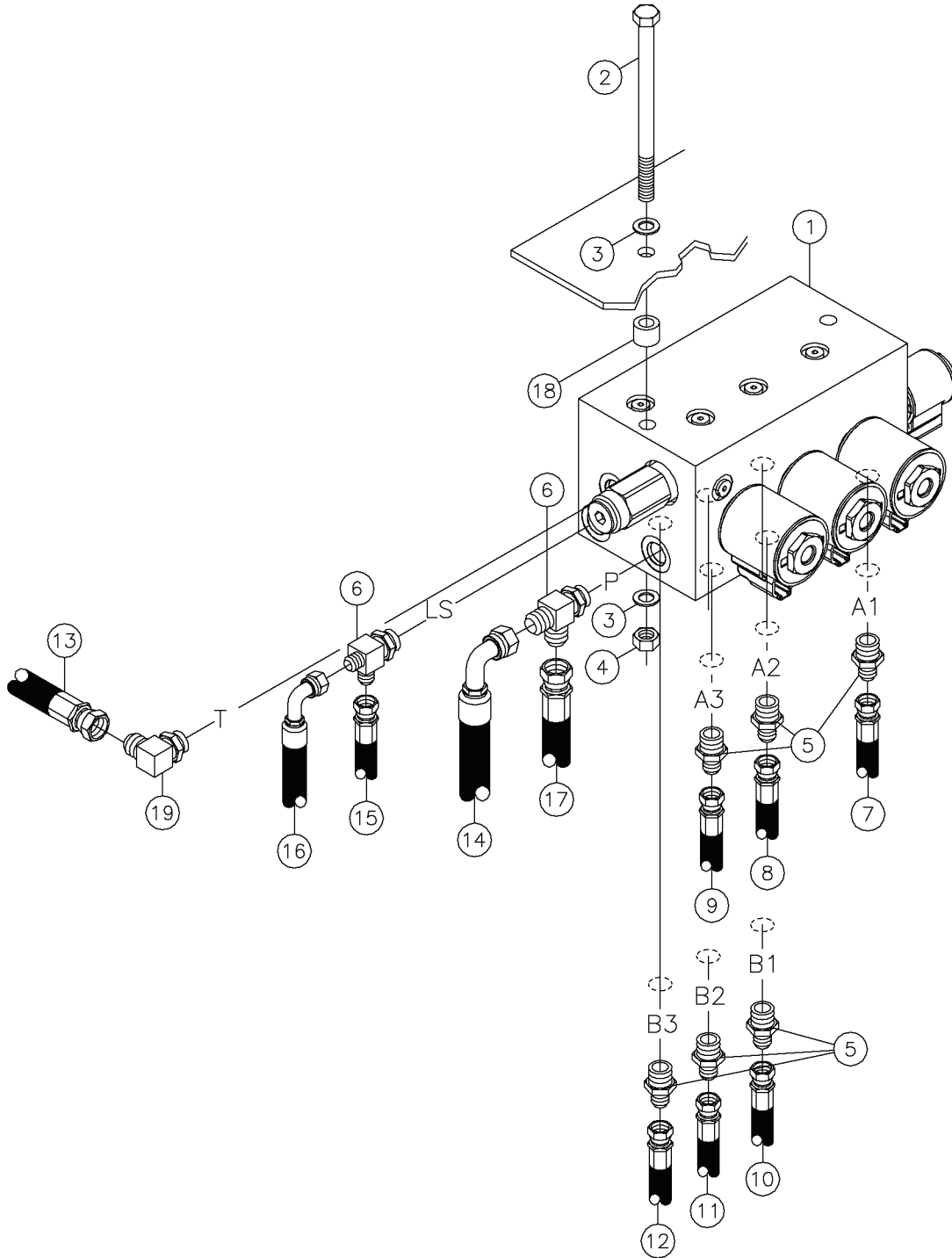
Clamp Rotation Hyd Cylinder Assy Fig 5-11



## Clamp Rotation Hyd Cylinder Assy Fig 5-11

REF. NO.	*	PART NO.	DESCRIPTION	QTY.	REMARKS
1		232454001	CYLINDER-4X2	2	
		221730011	ROD-CYLINDER	1	
		221730013	SEAL KIT	1	
2		121827020	SCREW-7/8-14X2 SK.HD. CAP GR.8	8	
3		240032001	PIN-.620X2 33/64 BALL LOCK	2	
4		241664001	PIN-TILT	1	
5		510025	COTTER PIN-3/16" X 2"	2	
6		229412001	CYLINDER-2X2	1	
		229412007	ROD ASSEMBLY	1	
		229412009	SEAL KIT	1	
7		483005	WASHER-1 1/2X1X14 GA M.B. REF T10919	2	
8		82931001	FITTING-6MX4M JIC 45DEG.ELBOW	2	
9		57968001	FITTING-STR-4MJ-6MORB	2	
10		60908001	FITTING-4MX4M JIC STR ADAPTER	2	
11		296260427	HOSE - 1/4 X 32 ST/ST 4FSJIC 3300PSI	1	
12		296260425	HOSE - 1/4 X 28 ST/ST 4FSJIC 3300PSI	1	
13		296260420	HOSE - 1/4 X17 ST/ST 4FSJIC 3300PSI SLVD	1	
14		296260418	HOSE - 1/4 X 16 ST/ST 4FSJIC3300PSI SLVD	1	
15		53843497	HOSE-1/4X13 4FS JIC 5000 PSI	1	
16		296260419	HOSE - 1/4 X17 ST/ST 4FSJIC 3300PSI	1	
17		7000A864	DECAL-WARNING DOMESTIC	1	
		700IA864	DECAL-WARNING INTERNATIONAL	1	
18		1795009	CYL. PIN - 1" X 3 1/4" REF T15737	1	

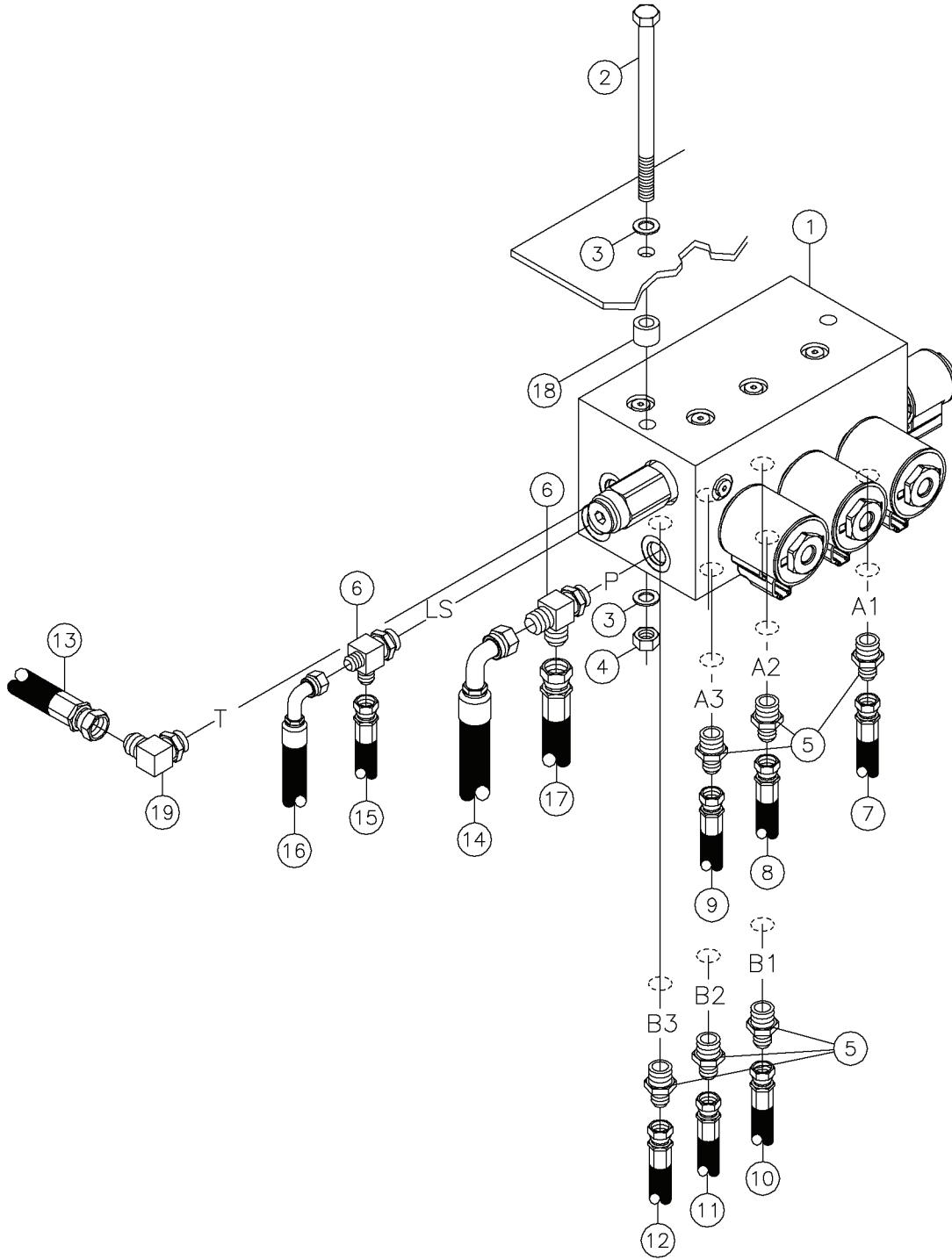
Clamp Hyd Valve Assy Fig 5-12r02



## Clamp Hyd Valve Assy Fig 5-12r02

REF. NO.	*	PART NO.	DESCRIPTION	QTY.	REMARKS
		Revision Date	May, 2005		Update In Parts List.
1		296266538	VALVE - VISE CONTROL	1	Breakdown Fig 11-5
2		244066001	BOLT-3/8-16X5 1/2 GD 8 ZNC PL	2	
3		235713001	WASHER - FLATSTRL - .38 - .41 X .81 - .06-YA-A325	4	
4		235725001	NUT - HEX - .38 - 16 - GR8 - YZ	2	
5		57968001	FITTING-STR-4MJ-6MORB	6	
6		68774001	FITTING-6MX6M JIC (RUN)X6M JIC	2	
7		296260420	HOSE - 1/4 X17 ST/ST 4FSJIC 3300PSI SLVD	1	
8		296260427	HOSE - 1/4 X 32 ST/ST 4FSJIC 3300PSI	1	
9		296260419	HOSE - 1/4 X17 ST/ST 4FSJIC 3300PSI	1	
10		296260418	HOSE - 1/4 X 16 ST/ST4FSJIC3300PSI SLVD	1	
11		296260425	HOSE - 1/4 X 28 ST/ST 4FSJIC 3300PSI	1	
12		53843497	HOSE-1/4X13 4FS JIC 5000 PSI	1	
13		296269297	HOSE-HYD-3/8X15 6FSJIC ST/ST 4000PSI	1	
14		296260457	HOSE - 3/8 X 102 ST/90 6FSJIC 3300PSI	1	
15		53843173	HOSE-1/4X114 4FS JIC 100R1	1	
16		296260426	HOSE - 1/4 X 31 ST/90 4FSJIC 3300PSI	1	
17		296260449	HOSE - 3/8 X 33 ST/90 6FSJIC 3300PSI	1	
18		1074007	TUBE-3/4"ODX7/16"ID-1/2"	2	
19		59426001	FITTING - 90-6MJ-6MORBA	1	

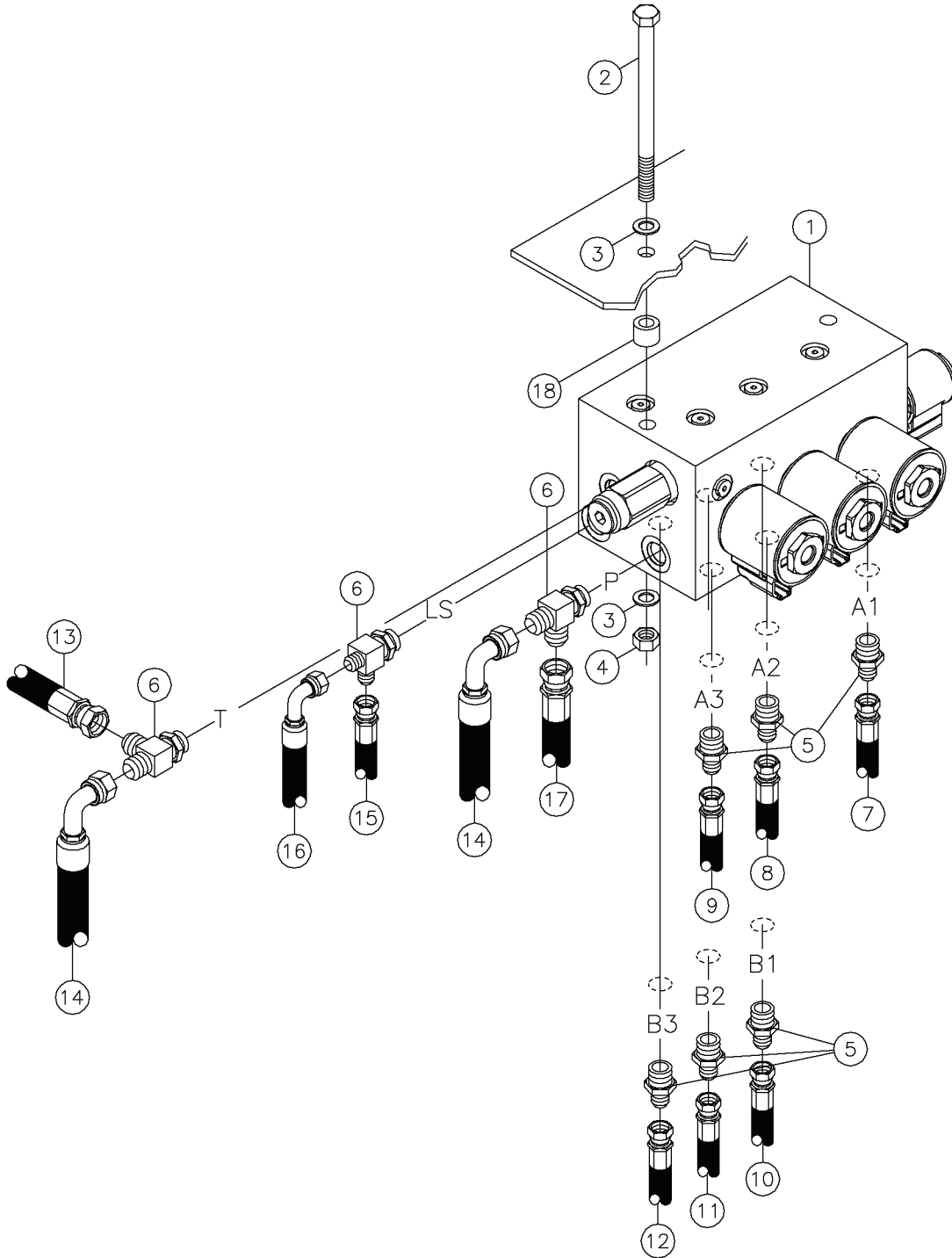
Clamp Hyd Valve Assy Fig 5-12r01



## Clamp Hyd Valve Assy Fig 5-12r01

REF. NO.	*	PART NO.	DESCRIPTION	QTY.	REMARKS
		Revision Date	June, 2004		Update In Illustration & Parts List.
1		296266538	VALVE - VISE CONTROL	1	Breakdown Fig 11-5
2		244066001	BOLT-3/8-16X5 1/2 GD 8 ZNC PL	2	
3		235713001	WASHER - FLATSTRL - .38 - .41 X .81 - .06-YA-A325	4	
4		235725001	NUT - HEX - .38 - 16 - GR8 - YZ	2	
5		57968001	FITTING-STR-4MJ-6MORB	6	
6		68774001	FITTING-6MX6M JIC (RUN)X6M JIC	2	
7		296260420	HOSE - 1/4 X17 ST/ST 4FSJIC 3300PSI SLVD	1	
8		296260427	HOSE - 1/4 X 32 ST/ST 4FSJIC 3300PSI	1	
9		296260419	HOSE - 1/4 X17 ST/ST 4FSJIC 3300PSI	1	
10		296260418	HOSE - 1/4 X 16 ST/ST4FSJIC3300PSI SLVD	1	
11		296260425	HOSE - 1/4 X 28 ST/ST 4FSJIC 3300PSI	1	
12		53843497	HOSE-1/4X13 4FS JIC 5000 PSI	1	
13		296269297	HOSE-HYD-3/8X15 6FSJIC ST/ST 4000PSI	1	
14		296260457	HOSE - 3/8 X 102 ST/90 6FSJIC 3300PSI	1	
15		296260434	HOSE - 1/4 X 112 ST/ST 4FSJIC 3300PSI	1	
16		296260426	HOSE - 1/4 X 31 ST/90 4FSJIC 3300PSI	1	
17		296260449	HOSE - 3/8 X 33 ST/90 6FSJIC 3300PSI	1	
18		1074007	TUBE-3/4"ODX7/16"ID-1/2"	2	
19		59426001	FITTING - 90-6MJ-6MORBA	1	

Clamp Hyd Valve Assy Fig 5-12

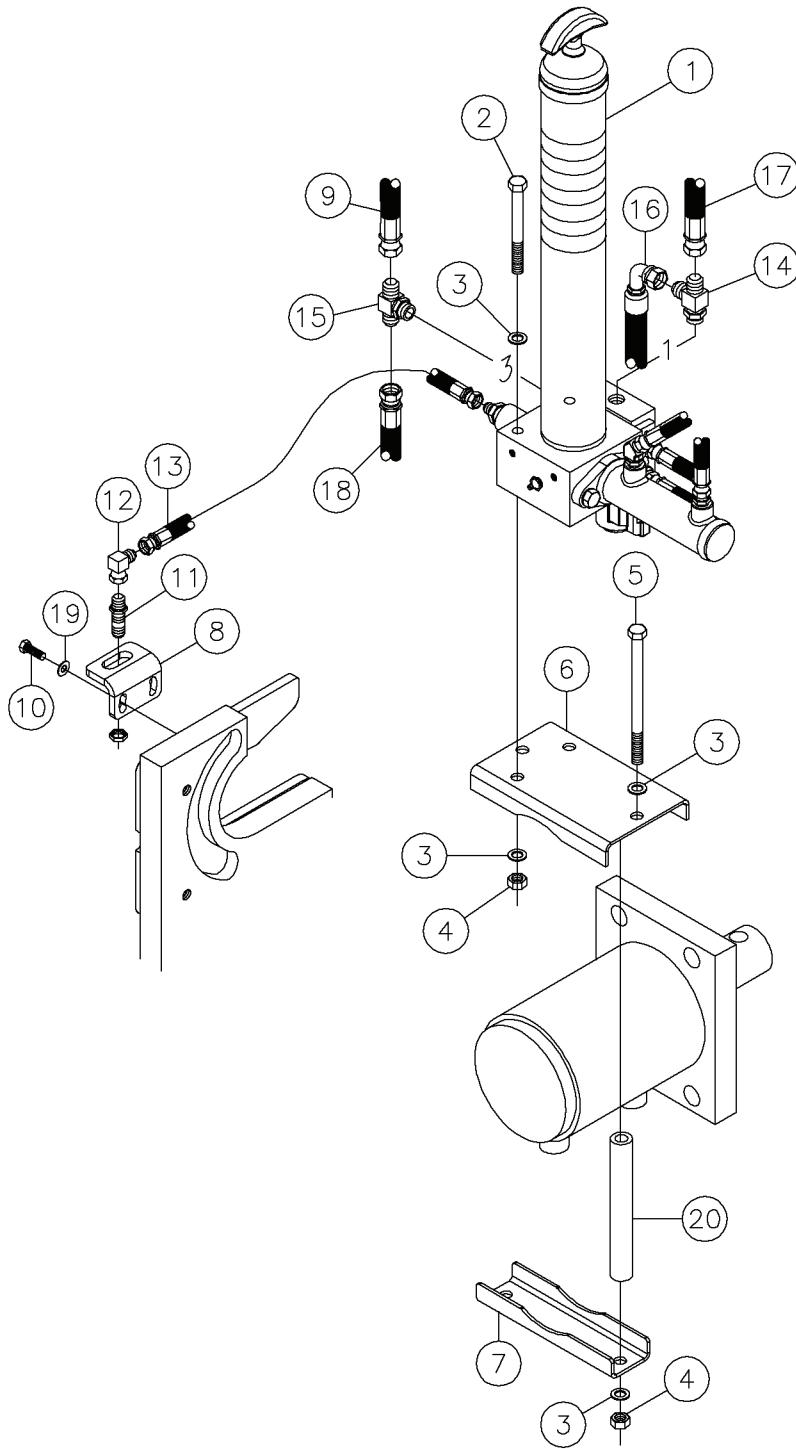




## Clamp Hyd Valve Assy Fig 5-12

REF. NO.	*	PART NO.	DESCRIPTION	QTY.	REMARKS
1		296266538	VALVE - VISE CONTROL	1	Breakdown Fig 11-5
2		244066001	BOLT-3/8-16X5 1/2 GD 8 ZNC PL	2	
3		235713001	WASHER - FLATSTRL - .38 - .41 X .81 - .06-YA-A325	4	
4		235725001	NUT - HEX - .38 - 16 - GR8 - YZ	2	
5		57968001	FITTING-STR-4MJ-6MORB	6	
6		68774001	FITTING-6MX6M JIC (RUN)X6M JIC	2	
7		296260420	HOSE - 1/4 X17 ST/ST 4FSJIC 3300PSI SLVD	1	
8		296260427	HOSE - 1/4 X 32 ST/ST 4FSJIC 3300PSI	1	
9		296260419	HOSE - 1/4 X17 ST/ST 4FSJIC 3300PSI	1	
10		296260418	HOSE - 1/4 X 16 ST/ST4FSJIC3300PSI SLVD	1	
11		296260425	HOSE - 1/4 X 28 ST/ST 4FSJIC 3300PSI	1	
12		53843497	HOSE-1/4X13 4FS JIC 5000 PSI	1	
13		296269297	HOSE-HYD-3/8X15 6FSJIC ST/ST 4000PSI	1	
14		296260457	HOSE - 3/8 X 102 ST/90 6FSJIC 3300PSI	2	
15		296260434	HOSE - 1/4 X 112 ST/ST 4FSJIC 3300PSI	1	
16		296260426	HOSE - 1/4 X 31 ST/90 4FSJIC 3300PSI	1	
17		296260449	HOSE - 3/8 X 33 ST/90 6FSJIC 3300PSI	1	
18		1074007	TUBE-3/4"ODX7/16"ID-1/2"	2	

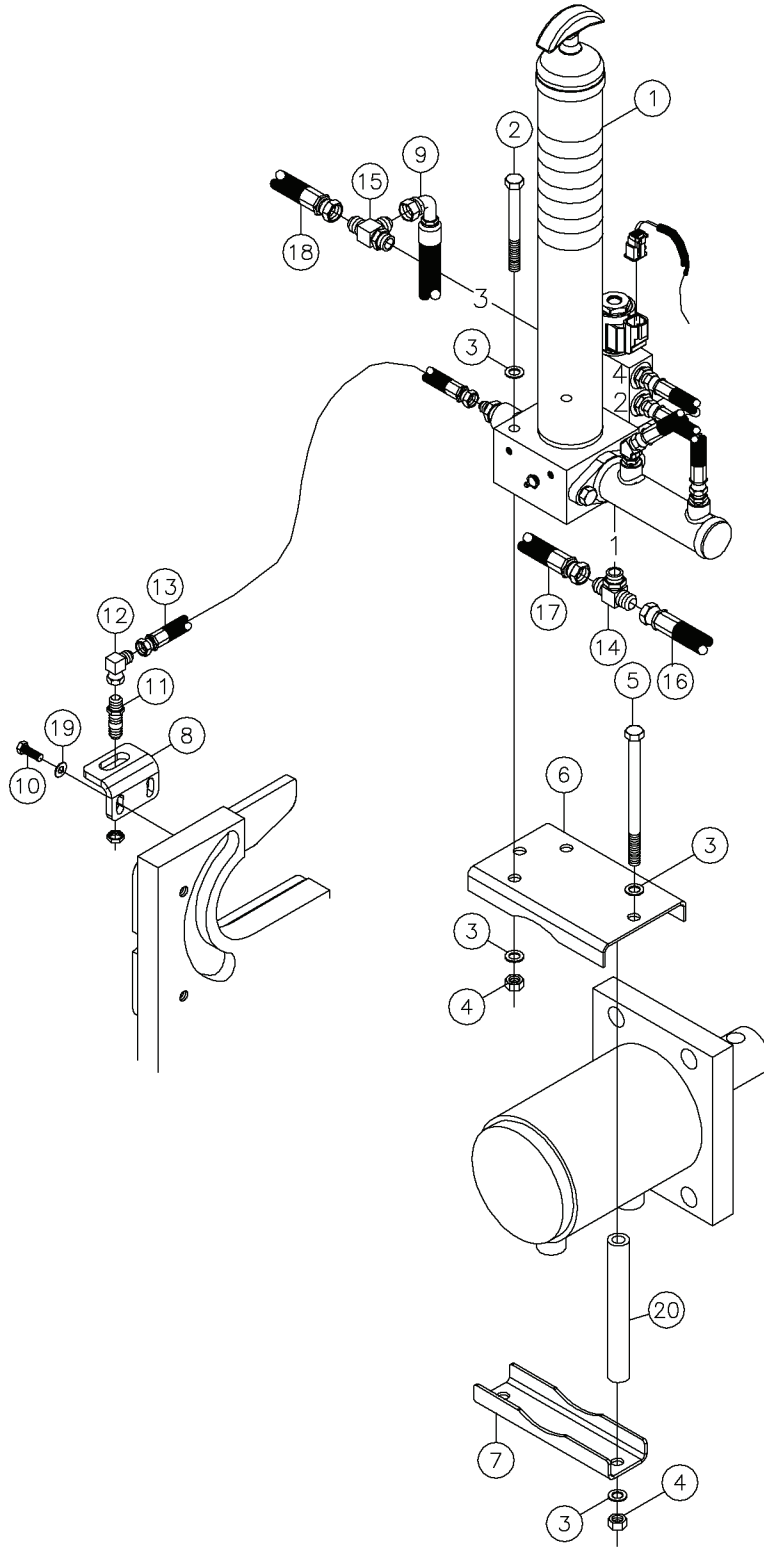
Auto Greaser Hyd Assy Fig 5-13r02



## Auto Greaser Hyd Assy Fig 5-13r02

REF. NO.	*	PART NO.	DESCRIPTION	QTY.	REMARKS
		Revision Date	July, 2004		Update In Illustration & Parts List.
1		294900001	GREASE PUMP AY - VAR DISP	1	Breakdown fig 11-23
2		235743001	SCREW - HCS - .38 - 16 X 3.00 - GR8-YZ	2	
3		235713001	WASHER - FLATSTRL - .38 - .41 X .81 - .06-YA-A325	8	
4		235725001	NUT - HEX - .38 - 16 - GR8 - YZ	4	
5		278010001	BOLT-3/8-16X6 1/2 GR8 HEX ZINC	2	
6		296266577	BLOCK - MOUNT	1	
7		296266579	BLOCK - LOWER MOUNT	1	
8		296266585	BLOCK - NOZZLE	1	
9		296275054	HOSE-3/8 X 30 6JIC ST/90 3000PSI	1	
10		284944001	SOCKET HD CAPSCREW - 1/4 - 20 UNC X 5/8	2	
11		65564001	FITTING - 4M JIC BULKHEAD ST.	1	
12		53658001	FITTING-4M JICX4 FS JIC 90 DEG	1	
13		53843497	HOSE-1/4X13 4FS JIC 5000 PSI	1	
14		68774001	FITTING-6MX6M JIC (RUN)X6M JIC	1	
15		68787001	FITTING-6M (BCH)X6M JICX6M JIC	1	
16		296260449	HOSE - 3/8 X 33 ST/90 6FSJIC 3300PSI	1	
17		296260444	HOSE - 3/8 X 20 ST/90 6FSJIC 3300 PSI	1	
18		296269297	HOSE-HYD-3/8X15 6FSJIC ST/ST 4000PSI	1	
19		510337603	WASHER-FLATSTD-.25-.31X.75-.07-YZ	2	
20		296270840	TUBE - 3/4 OD X 7/16 ID - 5.69	2	

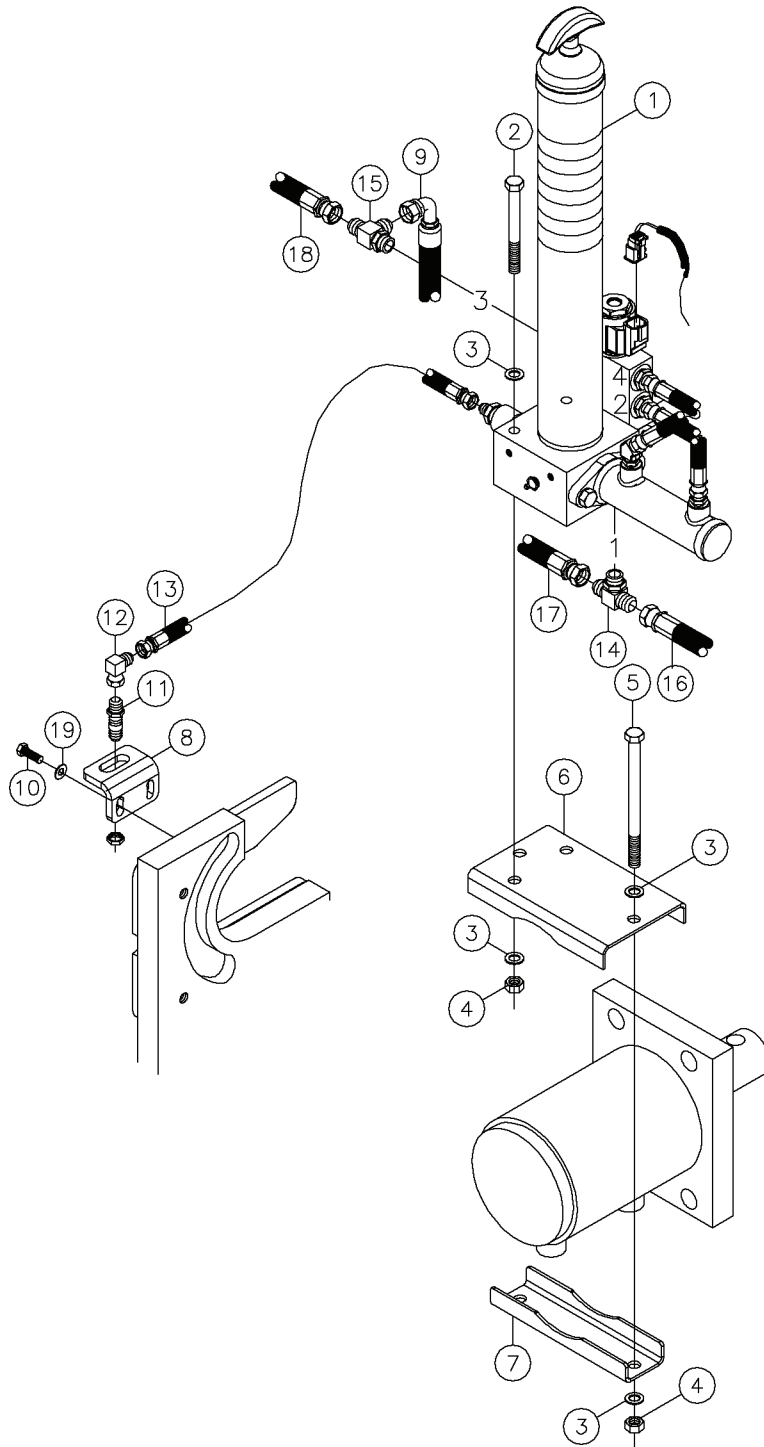
Auto Greaser Hyd Assy Fig 5-13r01



## Auto Greaser Hyd Assy Fig 5-13r01

REF. NO.	*	PART NO.	DESCRIPTION	QTY.	REMARKS
		Revision Date	February, 2004		Update In Illustration & Parts List.
1		294900001	GREASE PUMP AY - VAR DISP	1	Breakdown fig 11-23
2		235743001	SCREW - HCS - .38 - 16 X 3.00 - GR8-YZ	2	
3		235713001	WASHER - FLATSTRL - .38 - .41 X .81 - .06-YA-A325	8	
4		235725001	NUT - HEX - .38 - 16 - GR8 - YZ	4	
5		278010001	BOLT-3/8-16X6 1/2 GR8 HEX ZINC	2	
6		296266577	BLOCK - MOUNT	1	
7		296266579	BLOCK - LOWER MOUNT	1	
8		296266585	BLOCK - NOZZLE	1	
9		296260440	HOSE - 3/8 X 16 ST/90 6FSJIC 3300PSI	1	
10		235734001	BOLT-1/4-20X3/4 GR8 ZINC PLTD	2	
11		65564001	FITTING - 4M JIC BULKHEAD ST.	1	
12		53658001	FITTING-4M JICX4 FS JIC 90 DEG	1	
13		53843497	HOSE-1/4X13 4FS JIC 5000 PSI	1	
14		68787001	FITTING-6M (BCH)X6M JICX6M JIC	1	
15		68774001	FITTING-6MX6M JIC (RUN)X6M JIC	1	
16		296260449	HOSE - 3/8 X 33 ST/90 6FSJIC 3300PSI	1	
17		296260444	HOSE - 3/8 X 20 ST/90 6FSJIC 3300 PSI	1	
18		296269297	HOSE-HYD-3/8X15 6FSJIC ST/ST 4000PSI	1	
19		235716001	WASHER - FLATSTRL - .25 -.28 X .63 - .06 - CZ	2	
20		296270840	TUBE - 3/4 OD X 7/16 ID - 5.69	2	

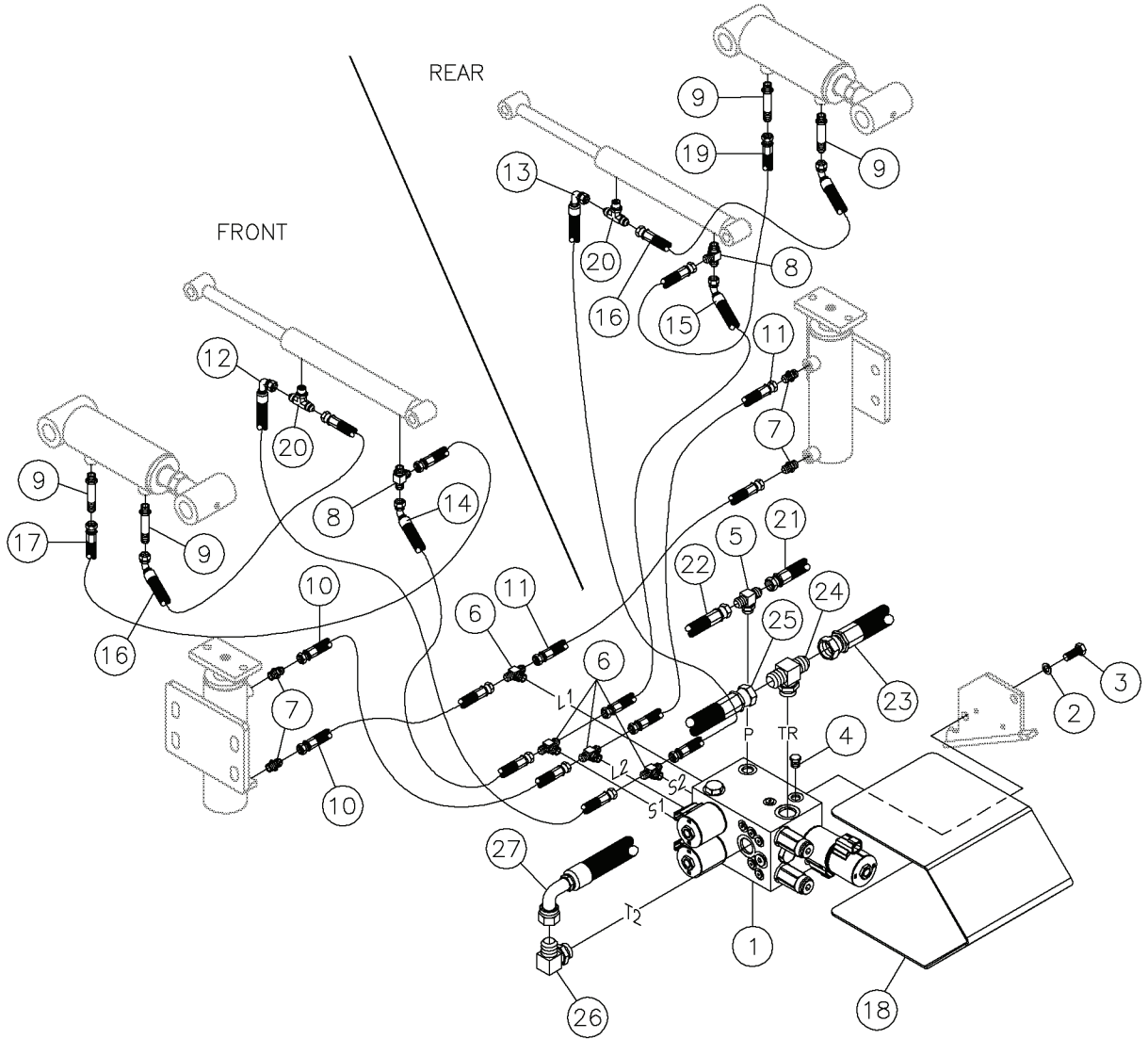
Auto Greaser Hyd Assy Fig 5-13



## Auto Greaser Hyd Assy Fig 5-13

REF. NO.	*	PART NO.	DESCRIPTION	QTY.	REMARKS
1		294900001	GREASE PUMP AY - VAR DISP	1	Breakdown fig 11-23
2		235743001	SCREW - HCS - .38 - 16 X 3.00 - GR8-YZ	2	
3		235713001	WASHER - FLATSTRL - .38 - .41 X .81 - .06-YA-A325	8	
4		235725001	NUT - HEX - .38 - 16 - GR8 - YZ	4	
5		278010001	BOLT-3/8-16X6 1/2 GR8 HEX ZINC	2	
6		296266577	BLOCK - MOUNT	1	
7		296266579	BLOCK - LOWER MOUNT	1	
8		296266585	BLOCK - NOZZLE	1	
9		296260440	HOSE - 3/8 X 16 ST/90 6FSJIC 3300PSI	1	
10		235734001	BOLT-1/4-20X3/4 GR8 ZINC PLTD	2	
11		65564001	FITTING - 4M JIC BULKHEAD ST.	1	
12		53658001	FITTING-4M JICX4 FS JIC 90 DEG	1	
13		53843497	HOSE-1/4X13 4FS JIC 5000 PSI	1	
14		68787001	FITTING-6M (BCH)X6M JICX6M JIC	1	
15		68774001	FITTING-6MX6M JIC (RUN)X6M JIC	1	
16		296260449	HOSE - 3/8 X 33 ST/90 6FSJIC 3300PSI	1	
17		296260444	HOSE - 3/8 X 20 ST/90 6FSJIC 3300 PSI	1	
18		296269297	HOSE-HYD-3/8X15 6FSJIC ST/ST 4000PSI	1	
19		235716001	WASHER - FLATSTRL - .25 -.28 X .63 - .06 - CZ	2	

Rod Loader Hyd Valve Assy Fig 5-14r03

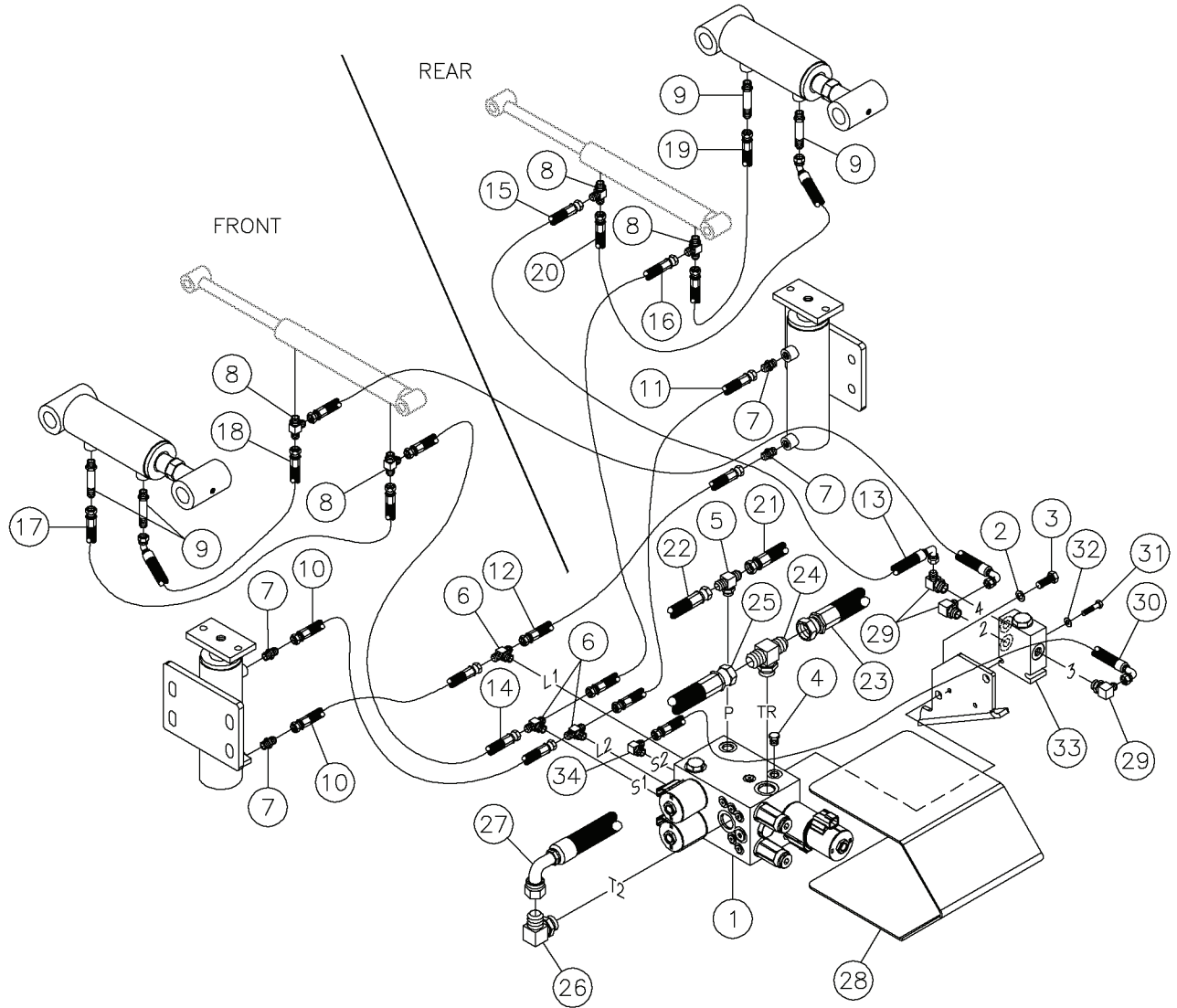




## Rod Loader Hyd Valve Assy Fig 5-14r03

REF. NO.	*	PART NO.	DESCRIPTION	QTY.	REMARKS
		Revision Date	May, 2005		Update In Illustration & Parts List.
1		296272080	VALVE - ROD LOADER SPLIT T LINE	1	Breakdown Fig 11-7r01
2		235713001	WASHER - FLATSTRL - .38 - .41 X .81 - .06-YA-A325	2	
3		235727001	BOLT-3/8-16X1 GR8 HEX ZINC PLT	2	
4		67263001	FITTING - PLUG - 4MORB - HEX	1	
5		68787001	FITTING-6M (BCH)X6M JICX6M JIC	1	
6		81343001	4M (BCH)X4M JICX4M JIC TEE	4	
7		60908001	FITTING-4MX4M JIC STR ADAPTER	4	
8		81342001	4MX4M JIC(BCH)X4M JIC TEE	2	
9		96074001	FITTING-4MJICX4MORING STRAIGHT	4	
10		296260431	HOSE - 1/4 X 62 ST/ST 4FSJIC 3300 PSI	2	
11		296260436	HOSE-1/4 X 33 ST/ST 4FSJIC 3300PSI	2	
12		275150001	HOSE-1/4X68 4FSJIC ST/90 M3K	1	
13		296074001	HOSE-HYD-.25 X 47 4FSJ ST/90 3000PSI	1	
14		296275145	HOSE-HYD-.25X72 4FSJ ST/45 3000PSI	1	
15		296275146	HOSE-HYD-.25X51 4FSJ ST/45 3000PSI	1	
16		53843597	HOSE-1/4X24 4FS JIC 3000 PSI	2	
17		296260424	HOSE - 1/4 X 26 ST/ST 4FSJIC 3300PSI	1	
18		296275051	GUARD WELDMENT	1	
19		296260422	HOSE - 1/4 X 23 ST/ST 4FSJIC 3300PSI	1	
20		81343001	4M (BCH)X4M JICX4M JIC TEE	2	
21		296270814	HOSE-HYD-3/8X30 6FSJIC ST/45 4000PSI	1	
22		296260457	HOSE - 3/8 X 102 ST/90 6FSJIC 3300PSI	1	
23		296275056	HOSE-5/8 X 32 - 10FSJIC-ST/45-3000PSI	1	
24		98947001	TEE-10M BCHX10MJICX10MJIC	1	
25		296275055	HOSE-5/8X115-10FSJIC-ST/90-3000PSI	1	
26		53829001	#10M O-RING-#10M JIC 90 DEG.	1	
27		296275058	HOSE-5/8X81-10FSJIC-ST/90-3000PSI	1	

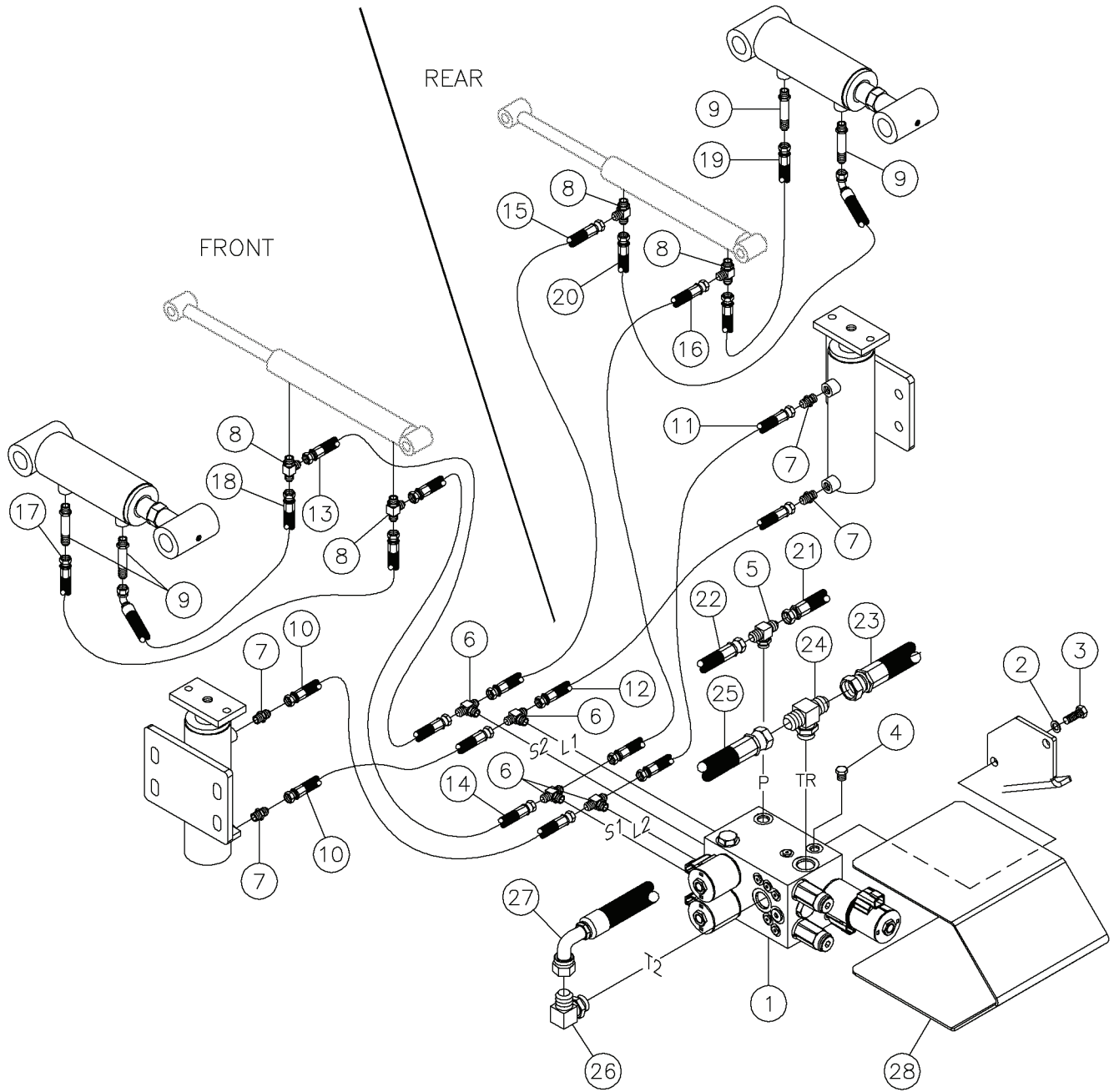
Rod Loader Hyd Valve Assy Fig 5-14r02



## Rod Loader Hyd Valve Assy Fig 5-14r02

REF. NO.	*	PART NO.	DESCRIPTION	QTY.	REMARKS
		Revision Date	October, 2004		Update In Illustration & Parts List.
1		296272080	VALVE - ROD LOADER SPLIT T LINE	1	Breakdown Fig 11-7r01
2		235713001	WASHER - FLATSTRL - .38 - .41 X .81 - .06-YA-A325	2	
3		235727001	BOLT-3/8-16X1 GR8 HEX ZINC PLT	2	
4		67263001	FITTING - PLUG - 4MORB - HEX	1	
5		68787001	FITTING-6M (BCH)X6M JICX6M JIC	2	
6		81343001	4M (BCH)X4M JICX4M JIC TEE	4	
7		60908001	FITTING-4MX4M JIC STR ADAPTER	4	
8		81342001	4MX4M JIC(BCH)X4M JIC TEE	3	
9		96074001	FITTING-4MJICX4MORING STRAIGHT	4	
10		296260431	HOSE - 1/4 X 62 ST/ST 4FSJIC 3300 PSI	2	
11		296260436	HOSE-1/4 X 33 ST/ST 4FSJIC 3300PSI	1	
12		296260436	HOSE-1/4 X 33 ST/ST 4FSJIC 3300PSI	1	
13		53843535	HOSE-1/4X70 4FS JIC ST/4FSJC90	1	
14		296260432	HOSE - 1/4 X 65 ST/ST 4FSJIC 3300PSI	1	
15		296260427	HOSE - 1/4 X 32 ST/ST 4FSJIC 3300PSI	1	
16		296260428	HOSE - 1/4 X 37 ST/ST 4FSJIC 3300PSI	1	
17		296260424	HOSE - 1/4 X 26 ST/ST 4FSJIC 3300PSI	1	
18		296260423	HOSE - 1/4 X 26 ST/45SJIC 3300PSI	1	
19		296260422	HOSE - 1/4 X 23 ST/ST 4FSJIC 3300PSI	1	
20		296260421	HOSE - 1/4 X 23 ST/45 4FSJIC 3300PSI	1	
21		296270814	HOSE-HYD-3/8X30 6FSJIC ST/45 4000PSI	1	
22		296260457	HOSE - 3/8 X 102 ST/90 6FSJIC 3300PSI	1	
23		296275056	HOSE-5/8 X 32 - 10FSJIC-ST/45-3000PSI	1	
24		98947001	TEE-10M BCHX10MJICX10MJIC	1	
25		296275055	HOSE-5/8X115-10FSJIC-ST/90-3000PSI	1	
26		53829001	#10M O-RING-#10M JIC 90 DEG.	1	
27		296275058	HOSE-5/8X81-10FSJIC-ST/90-3000PSI	1	
28		296275061	PLATE - SUPPORT	1	
29		57950001	FITTING-90-4MJ-6MORBA	3	
30		53843577	HOSE-1/4X16 4FSJICST/4FSJIC90D	1	
31		238210001	BOLT - 1/4-20X1 1/2 GR8 HEX ZYC	2	
32		252251001	WASHER-1/4 SAE FLAT ZP	2	
33		296272076	HYDRAFORCE FD10-45-6T-N-22-FLOW DIVIDER	1	
		260736003	VALVE-FLOW DIVIDER		
		296276751	SEAL KIT		
34		61697001	4M X 4M JIC 90	1	

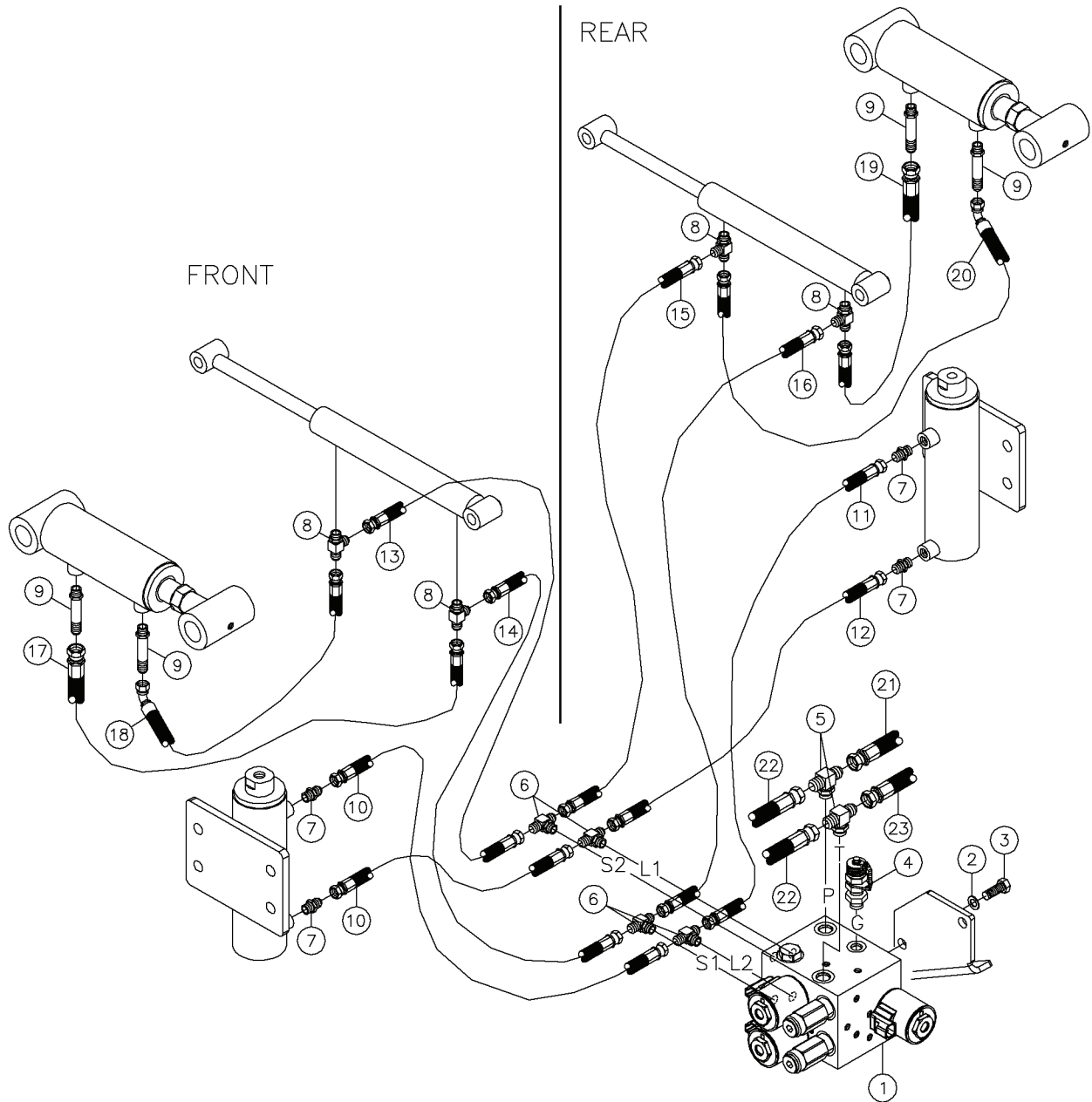
Rod Loader Hyd Valve Assy Fig 5-14r01



## Rod Loader Hyd Valve Assy Fig 5-14r01

REF. NO.	*	PART NO.	DESCRIPTION	QTY.	REMARKS
		Revision Date	June, 2004		Update In Illustration & Parts List.
1		296272080	VALVE - ROD LOADER SPLIT T LINE	1	Breakdown Fig 11-7r01
2		235713001	WASHER - FLATSTRL - .38 - .41 X .81 - .06-YA-A325	2	
3		235727001	BOLT-3/8-16X1 GR8 HEX ZINC PLT	2	
4		67263001	FITTING - PLUG - 4MORB - HEX	1	
5		68787001	FITTING-6M (BCH)X6M JICX6M JIC	2	
6		81343001	4M (BCH)X4M JICX4M JIC TEE	4	
7		60908001	FITTING-4MX4M JIC STR ADAPTER	4	
8		81342001	4MX4M JIC(BCH)X4M JIC TEE	4	
9		96074001	FITTING-4MJICX4MORING STRAIGHT	4	
10		296260431	HOSE - 1/4 X 62 ST/ST 4FSJIC 3300 PSI	2	
11		296260436	HOSE-1/4 X 33 ST/ST 4FSJIC 3300PSI	1	
12		296260436	HOSE-1/4 X 33 ST/ST 4FSJIC 3300PSI	1	
13		296260430	HOSE - 1/4 X 60 ST/ST 4FSJIC 3300 PSI	1	
14		296260432	HOSE - 1/4 X 65 ST/ST 4FSJIC 3300PSI	1	
15		296260427	HOSE - 1/4 X 32 ST/ST 4FSJIC 3300PSI	1	
16		296260428	HOSE - 1/4 X 37 ST/ST 4FSJIC 3300PSI	1	
17		296260424	HOSE - 1/4 X 26 ST/ST 4FSJIC 3300PSI	1	
18		296260423	HOSE - 1/4 X 26 ST/45SJIC 3300PSI	1	
19		296260422	HOSE - 1/4 X 23 ST/ST 4FSJIC 3300PSI	1	
20		296260421	HOSE - 1/4 X 23 ST/45 4FSJIC 3300PSI	1	
21		296270814	HOSE-HYD-3/8X30 6FSJIC ST/45 4000PSI	1	
22		296260457	HOSE - 3/8 X 102 ST/90 6FSJIC 3300PSI	1	
23		296275056	HOSE-5/8 X 32 - 10FSJIC-ST/45-3000PSI	1	
24		98947001	TEE-10M BCHX10MJICX10MJIC	1	
25		296275055	HOSE-5/8X115-10FSJIC-ST/90-3000PSI	1	
26		53829001	#10M O-RING-#10M JIC 90 DEG.	1	
27		296275058	HOSE-5/8X81-10FSJIC-ST/90-3000PSI	1	
28		296275061	GUARD WELDMENT	1	

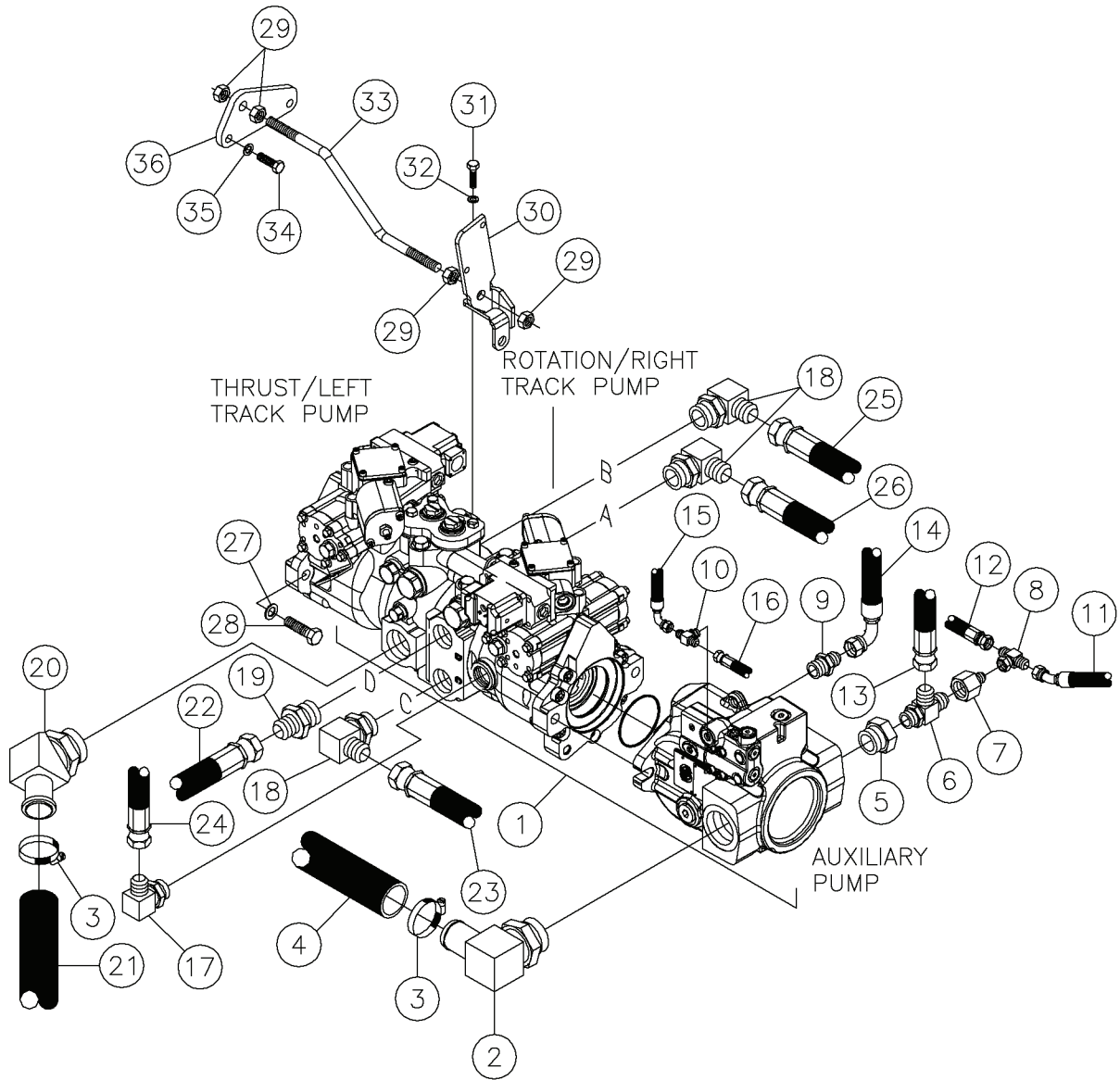
Rod Loader Hyd Valve Assy Fig 5-14



## Rod Loader Hyd Valve Assy Fig 5-14

REF. NO.	*	PART NO.	DESCRIPTION	QTY.	REMARKS
1		296257419	VALVE - ROD LOADER	1	Breakdown Fig 11-7
2		235713001	WASHER - FLATSTRL - .38 - .41 X .81 - .06-YA-A325	2	
3		235727001	BOLT-3/8-16X1 GR8 HEX ZINC PLT	2	
4		72056001	FITTING-TEST-6MORB-16MTP	1	
5		68787001	FITTING-6M (BCH)X6M JICX6M JIC	2	
6		81343001	4M (BCH)X4M JICX4M JIC TEE	4	
7		60908001	FITTING-4MX4M JIC STR ADAPTER	4	
8		81342001	4MX4M JIC(BCH)X4M JIC TEE	4	
9		96074001	FITTING-4MJICX4MORING STRAIGHT	4	
10		296260431	HOSE - 1/4 X 62 ST/ST 4FSJIC 3300 PSI	2	
11		296260436	HOSE-1/4 X 33 ST/ST 4FSJIC 3300PSI	1	
12		296260436	HOSE-1/4 X 33 ST/ST 4FSJIC 3300PSI	1	
13		296260430	HOSE - 1/4 X 60 ST/ST 4FSJIC 3300 PSI	1	
14		296260432	HOSE - 1/4 X 65 ST/ST 4FSJIC 3300PSI	1	
15		296260427	HOSE - 1/4 X 32 ST/ST 4FSJIC 3300PSI	1	
16		296260428	HOSE - 1/4 X 37 ST/ST 4FSJIC 3300PSI	1	
17		296260424	HOSE - 1/4 X 26 ST/ST 4FSJIC 3300PSI	1	
18		296260423	HOSE - 1/4 X 26 ST/45SJIC 3300PSI	1	
19		296260422	HOSE - 1/4 X 23 ST/ST 4FSJIC 3300PSI	1	
20		296260421	HOSE - 1/4 X 23 ST/45 4FSJIC 3300PSI	1	
21		296270814	HOSE-HYD-3/8X30 6FSJIC ST/45 4000PSI	1	
22		296260457	HOSE - 3/8 X 102 ST/90 6FSJIC 3300PSI	2	
24		296270815	HOSE-HYD-3/8X32 6FSJIC ST/45 4000PSI	1	

Hyd Pump Assy Fig 5-15r02

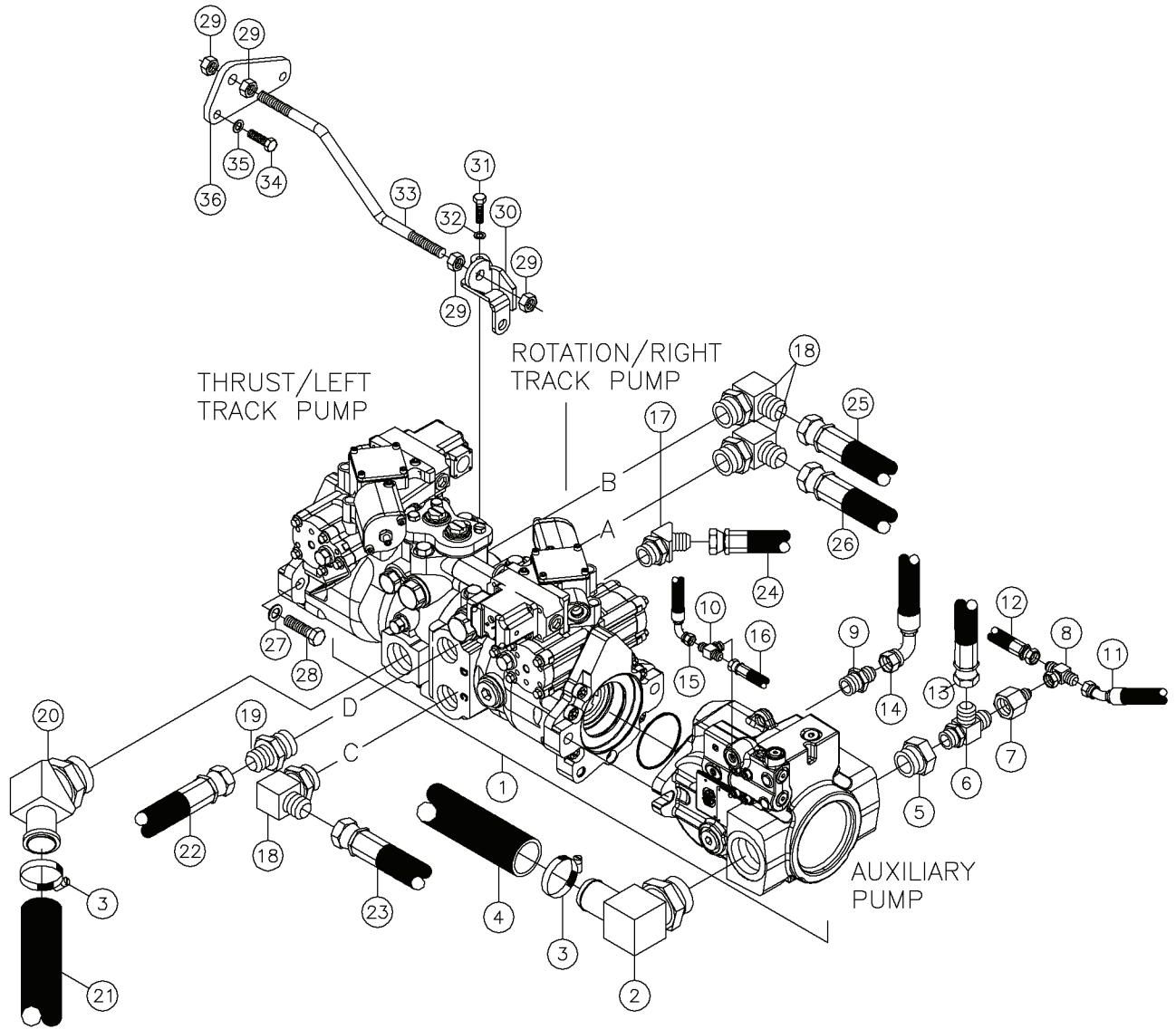




## Hyd Pump Assy Fig 5-15r02

REF. NO.	*	PART NO.	DESCRIPTION	QTY.	REMARKS
		Revision Date	July, 2004		Update In Illustration & Parts List.
1		296257180	PUMP - TANDEM HYDRO/PFC	1	Breakdown On Fig 11-12
2		296257235	FITTING - 90 -24BHI - 24MORB	1	
3		1580009	HOSE CLAMP - 1 3/4"	2	
4		296270758	HOSE - 1 1/2" X 11.50" SUCTION	1	
5		296270854	FITTING - STR - 16MORB - 10FORB	1	
6		100873001	FITTING-10MX10MJIC RUN TEE	1	
7		71253001	FITTING-6M JICX10F JIC REDUCER	1	
8		60852001	6M JICX6FS JIC SWIV.NUT B TEE	1	
9		53826001	#10M O-RING-#8M JIC ST.	1	
10		81343001	4M (BCH)X4M JICX4M JIC TEE	1	
11		296270818	HOSE-HYD 3/8 X 23 6FSJIC ST/45 4000PSI	1	
12		296269291	HOSE-HYD-3/8X60 6FSJIC ST/ST 3300 PSI	1	
13		296260463	HOSE - 5/8 X 14.5 ST/ST 10FSJIC 3300PSI	1	
14		296260496	HOSE-HYD-1/2X26 8FSJIC ST/90 3300 PSI	1	
15		296260416	HOSE - 1/4 X 15 ST/ST 4FSJIC 3300PSI	1	
16		296270831	HOSE - 1/4 X 75 ST/45 4FSJIC 3300PSI	1	
17		59409001	10M JICX12M ADJ. 90 DEG.ELBOW	1	S/N 208-
18		78057001	FITTING-90-12MJ-16MORBA	3	
19		70008001	FITTING-16M X 12M JIC STR.	1	
20		103997001	HOSE INSER-20MX1 1/2 45 DEG.	1	
21		296270759	HOSE- 1 1/2" X 13.00" SUCTION	1	
22		296260472	HOSE - 3/4 X 28.5 ST/90 12FSJIC 4000PSI	1	
23		296260474	HOSE - 3/4 X 35.5 ST/45 12FSJIC 4000PSI	1	
24		296269292	HOSE-HYD-5/8 X22 10FSJIC ST/ST 3300 PSI	1	
25		296260471	HOSE - 3/4 X 28.5 ST/45 12FSJIC 4000PSI	1	
26		296260473	HOSE - 3/4 X 33 ST/45 12FSJIC 4000PSI	1	
27		485025	WASHER-1/2 FLAT-HARDENED-YZ	2	
28		240334001	BOLT-1/2-13X1 3/4 GR8 ZINC PLT	2	
29		235731001	NUT-1/2-13 GR8 ZINC PLTD	4	
30		296269279	MOUNT - PUMP SUPPORT BAR	1	
31		248031001	BOLT-5/16-18X1 1/4 GR8 ZINC PL	1	
32		235714001	WASHER - FLATSTRL - .31 - .34 X .69 - .06-YZ-A325	1	
33		296269280	PUMP SUPPORT - BAR	1	
34		24772001	BOLT-12M X 35 GR. 8.8 HEX HEAD	2	
35		506046012	WASHER-FLAT,M12,YZ,D125A	2	
36		296269275	PUMP SUPPORT - MOUNT	1	

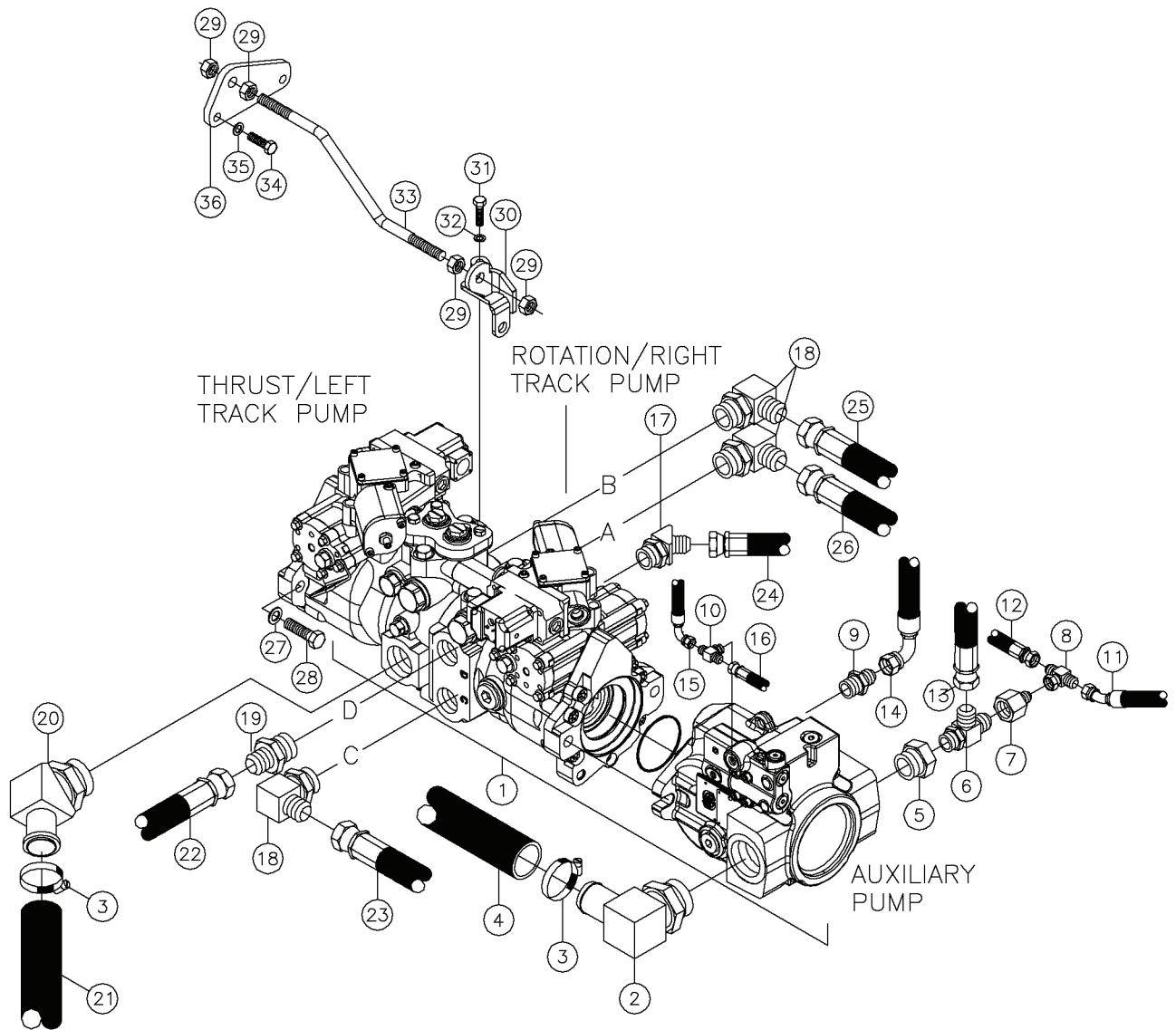
Hyd Pump Assy Fig 5-15r01



## Hyd Pump Assy Fig 5-15r01

REF. NO.	*	PART NO.	DESCRIPTION	QTY.	REMARKS
		Revision Date	February, 2004		Update In Illustration & Parts List.
1		296257180	PUMP - TANDEM HYDRO/PFC	1	Breakdown On Fig 11-12
2		296257235	FITTING - 90 -24BHI - 24MORB	1	
3		1580009	HOSE CLAMP - 1 3/4"	2	
4		296270758	HOSE - 1 1/2" X 11.50" SUCTION	1	
5		296270854	FITTING - STR - 16MORB - 10FORB	1	
6		100873001	FITTING-10MX10MJIC RUN TEE	1	
7		71253001	FITTING-6M JICX10F JIC REDUCER	1	
8		60852001	6M JICX6FS JIC SWIV.NUT B TEE	1	
9		53826001	#10M O-RING-#8M JIC ST.	1	
10		81343001	4M (BCH)X4M JICX4M JIC TEE	1	
11		296270818	HOSE-HYD 3/8 X 23 6FSJIC ST/45 4000PSI	1	
12		296269291	HOSE-HYD-3/8X60 6FSJIC ST/ST 3300 PSI	1	
13		296260463	HOSE - 5/8 X 14.5 ST/ST 10FSJIC 3300PSI	1	
14		296260496	HOSE-HYD-1/2X26 8FSJIC ST/90 3300 PSI	1	
15		296260416	HOSE - 1/4 X 15 ST/ST 4FSJIC 3300PSI	1	
16		296270831	HOSE - 1/4 X 75 ST/45 4FSJIC 3300PSI	1	
17		88659001	FITTING-12M ORINGX10MJIC 45DEG	1	
18		78057001	FITTING-16MX12M JIC 90 DEG	3	
19		70008001	FITTING-16M X 12M JIC STR.	1	
20		103997001	HOSE INSER-20MX1 1/2 45 DEG.	1	
21		296270759	HOSE- 1 1/2" X 13.00" SUCTION	1	
22		296260472	HOSE - 3/4 X 28.5 ST/90 12FSJIC 4000PSI	1	
23		296260474	HOSE - 3/4 X 35.5 ST/45 12FSJIC 4000PSI	1	
24		296269292	HOSE-HYD-5/8 X22 10FSJIC ST/ST 3300 PSI	1	
25		296260471	HOSE - 3/4 X 28.5 ST/45 12FSJIC 4000PSI	1	
26		296260473	HOSE - 3/4 X 33 ST/45 12FSJIC 4000PSI	1	
27		485025	WASHER-1/2 FLAT-HARDENED-ZINC	2	
28		240334001	BOLT-1/2-13X1 3/4 GR8 ZINC PLT	2	
29		235731001	NUT-1/2-13 GR8 ZINC PLTD	4	
30		296269279	MOUNT-PUMP SUPPORT BAR	1	
31		248031001	BOLT-5/16-18X1 1/4 GR8 ZINC PL	1	
32		235714001	WASHER - FLATSTRL - .31 - .34 X .69 - .06-YZ-A325	1	
33		296269280	BAR-PUMP SUPPORT	1	
34		24772001	BOLT-12M X 35 GR. 8.8 HEX HEAD	2	
35		506046012	WASHER-FLAT,M12,YZ,D125A	2	
36		296269275	MOUNT-PUMP SUPPORT	1	

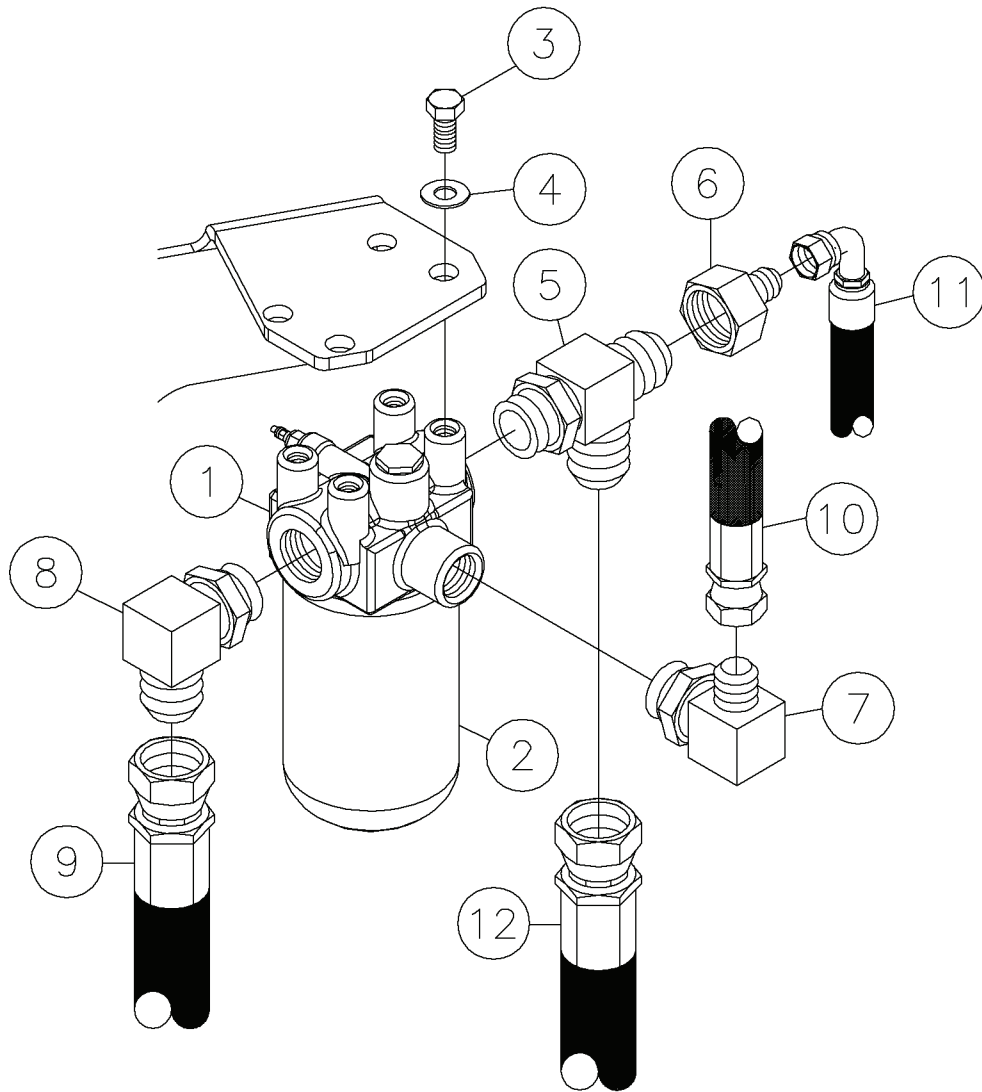
Hyd Pump Assy Fig 5-15



## Hyd Pump Assy Fig 5-15

REF. NO.	*	PART NO.	DESCRIPTION	QTY.	REMARKS
1		296257180	PUMP - TANDEM HYDRO/PFC	1	Breakdown On Fig 11-12
2		296257235	FITTING - 90 -24BHI - 24MORB	1	
3		1580009	HOSE CLAMP - 1 3/4"	2	
4		296270758	HOSE - 1 1/2" X 11.50" SUCTION	1	
5		292593001	FITTING - STR - 20MORB - 10FORB	1	
6		100873001	FITTING-10MX10MJIC RUN TEE	1	
7		71253001	FITTING-6M JICX10F JIC REDUCER	1	
8		60852001	6M JICX6FS JIC SWIV.NUT B TEE	1	
9		53826001	#10M O-RING-#8M JIC ST.	1	
10		81343001	4M (BCH)X4M JICX4M JIC TEE	1	
11		296270818	HOSE-HYD 3/8 X 23 6FSJIC ST/45 4000PSI	1	
12		296269291	HOSE-HYD-3/8X60 6FSJIC ST/ST 3300 PSI	1	
13		296260463	HOSE - 5/8 X 14.5 ST/ST 10FSJIC 3300PSI	1	
14		296260496	HOSE-HYD-1/2X26 8FSJIC ST/90 3300 PSI	1	
15		296260416	HOSE - 1/4 X 15 ST/ST 4FSJIC 3300PSI	1	
16		296270831	HOSE - 1/4 X 75 ST/45 4FSJIC 3300PSI	1	
17		88659001	FITTING-12M ORINGX10MJIC 45DEG	1	
18		78057001	FITTING-16MX12M JIC 90 DEG	3	
19		70008001	FITTING-16M X 12M JIC STR.	1	
20		103997001	HOSE INSER-20MX1 1/2 45 DEG.	1	
21		296270759	HOSE- 1 1/2" X 13.00" SUCTION	1	
22		296260472	HOSE - 3/4 X 28.5 ST/90 12FSJIC 4000PSI	1	
23		296260474	HOSE - 3/4 X 35.5 ST/45 12FSJIC 4000PSI	1	
24		296269292	HOSE-HYD-5/8 X22 10FSJIC ST/ST 3300 PSI	1	
25		296260471	HOSE - 3/4 X 28.5 ST/45 12FSJIC 4000PSI	1	
26		296260473	HOSE - 3/4 X 33 ST/45 12FSJIC 4000PSI	1	
27		485025	WASHER-1/2 FLAT-HARDENED-ZINC	2	
28		240334001	BOLT-1/2-13X1 3/4 GR8 ZINC PLT	2	
29		235731001	NUT-1/2-13 GR8 ZINC PLTD	4	
30		296269279	MOUNT-PUMP SUPPORT BAR	1	
31		248031001	BOLT-5/16-18X1 1/4 GR8 ZINC PL	1	
32		235714001	WASHER - FLATSTRL - .31 - .34 X .69 - .06-YZ-A325	1	
33		296269280	BAR-PUMP SUPPORT	1	
34		24772001	BOLT-12M X 35 GR. 8.8 HEX HEAD	2	
35		506046012	WASHER-FLAT,M12,YZ,D125A	2	
36		296269275	MOUNT-PUMP SUPPORT	1	

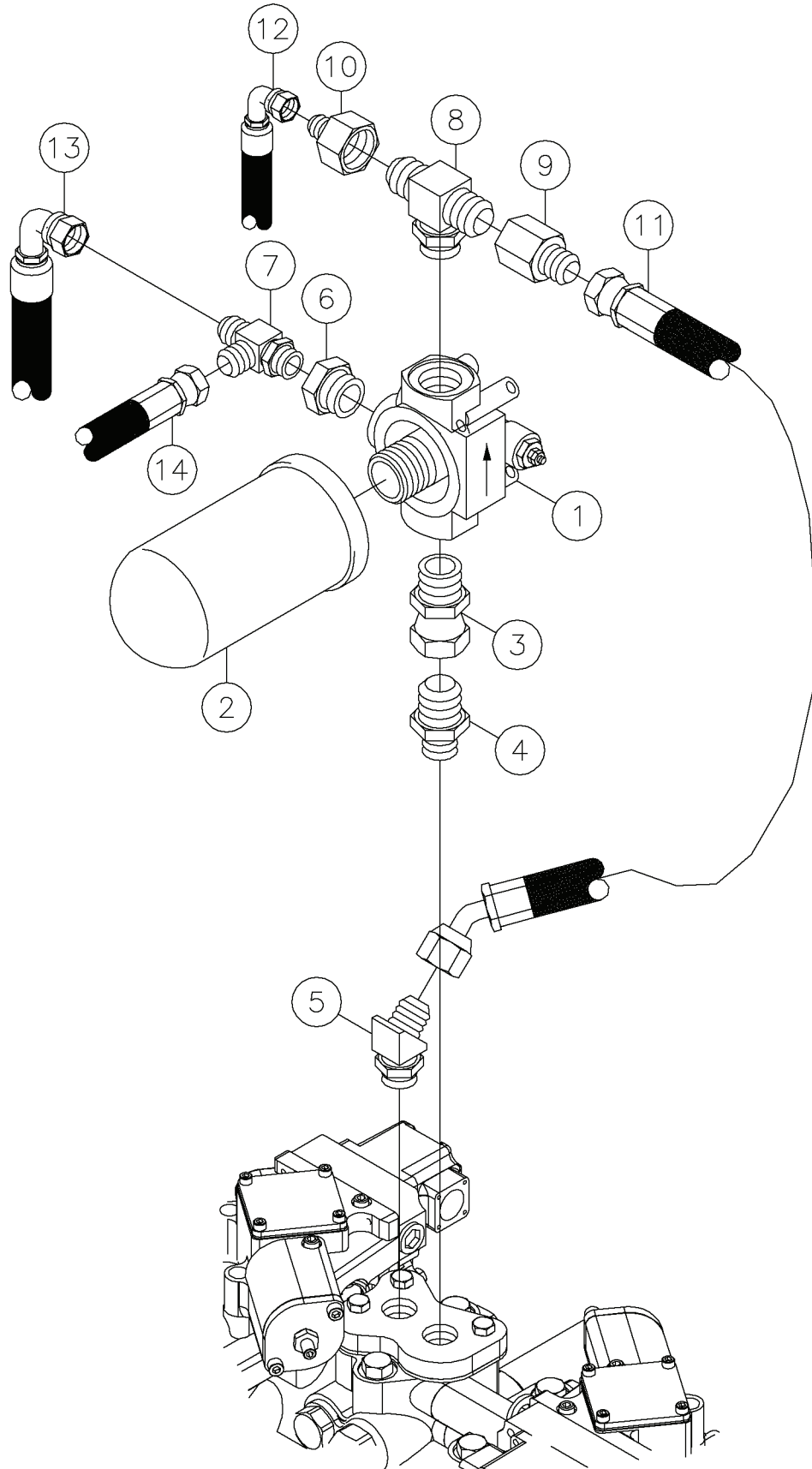
Charge Filter Hyd Assy Fig 5-16r01



## Charge Filter Hyd Assy Fig 5-16r01

REF. NO.	*	PART NO.	DESCRIPTION	QTY.	REMARKS
		Revision Date	June, 2004		Update In Illustration & Parts List.
1		296257495	HEAD - FILTER	1	
2		296257496	ELEMENT - FILTER	1	
3		235726001	BOLT-3/8-16X3/4 GR8 HEX ZNCPLT	4	
4		235713001	WASHER - FLATSTRL - .38 - .41 X .81 - .06-YA-A325	4	
5		59420001	12 JICX12M ADJ. STR THRD RUN TEE	1	
6		60909001	6M JICX12F JIC ST.ADAPTER	1	
7		57949001	FITTING-12MX8M JIC 90 DEG. EL.	1	
8		59410001	FITTING-90-12MJ-12MORBA	1	
9		296273306	HOSE-HYD-3/4X27 12FSJIC ST/90 500 PSI	1	
10		296260460	HOSE - 1/2 X 14 ST/ST 8FSJIC 500PSI	1	
11		296260439	HOSE - 3/8 X 15 ST/90 6FSJIC 3300 PSI	1	
12		296273307	HOSE-HYD-3/4X23 12 FSJIC ST/90 500PSI	1	

Charge Filter Hyd Assy Fig 5-16

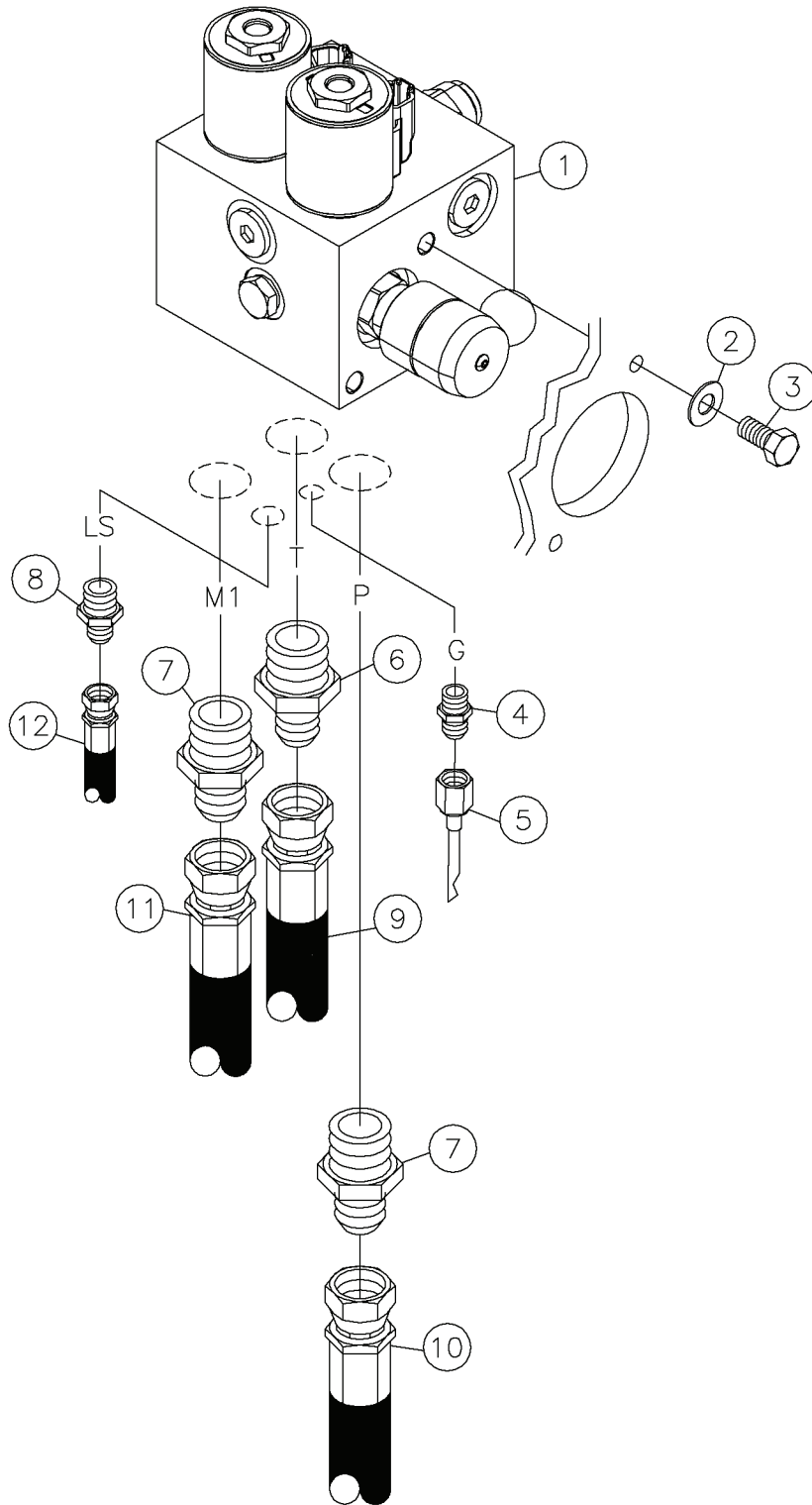




## Charge Filter Hyd Assy Fig 5-16

REF. NO.	*	PART NO.	DESCRIPTION	QTY.	REMARKS
1		296257495	HEAD - FILTER	1	
2		296257496	ELEMENT - FILTER	1	
3		85664001	FITTING-12M X 12FS JIC STR	1	
4		60910001	10MX12M JIC ST.ADAPTER	1	
5		56725001	FITTING-10MX10M JIC 45 DEG.	1	
6		81702001	FITTING - STR - 12MORB - 8FORB	1	
7		81705001	FITTING-8MX8M JIC(BCH)X8M JIC	1	
8		70032001	12M BCH X 12M JICX12M JIC TEE	1	
9		81690001	FITTING-12F JICX10M JIC ST.	1	
10		60909001	6M JICX12F JIC ST.ADAPTER	1	
11		296260464	HOSE - 5/8 X 25 ST/45 10FSJIC 1000PSI	1	
12		296260439	HOSE - 3/8 X 15 ST/90 6FSJIC 3300 PSI	1	
13		296260461	HOSE - 1/2 X 14.5 ST/90 8FSJIC 500PSI	1	
14		296260460	HOSE - 1/2 X 14 ST/ST 8FSJIC 500PSI	1	

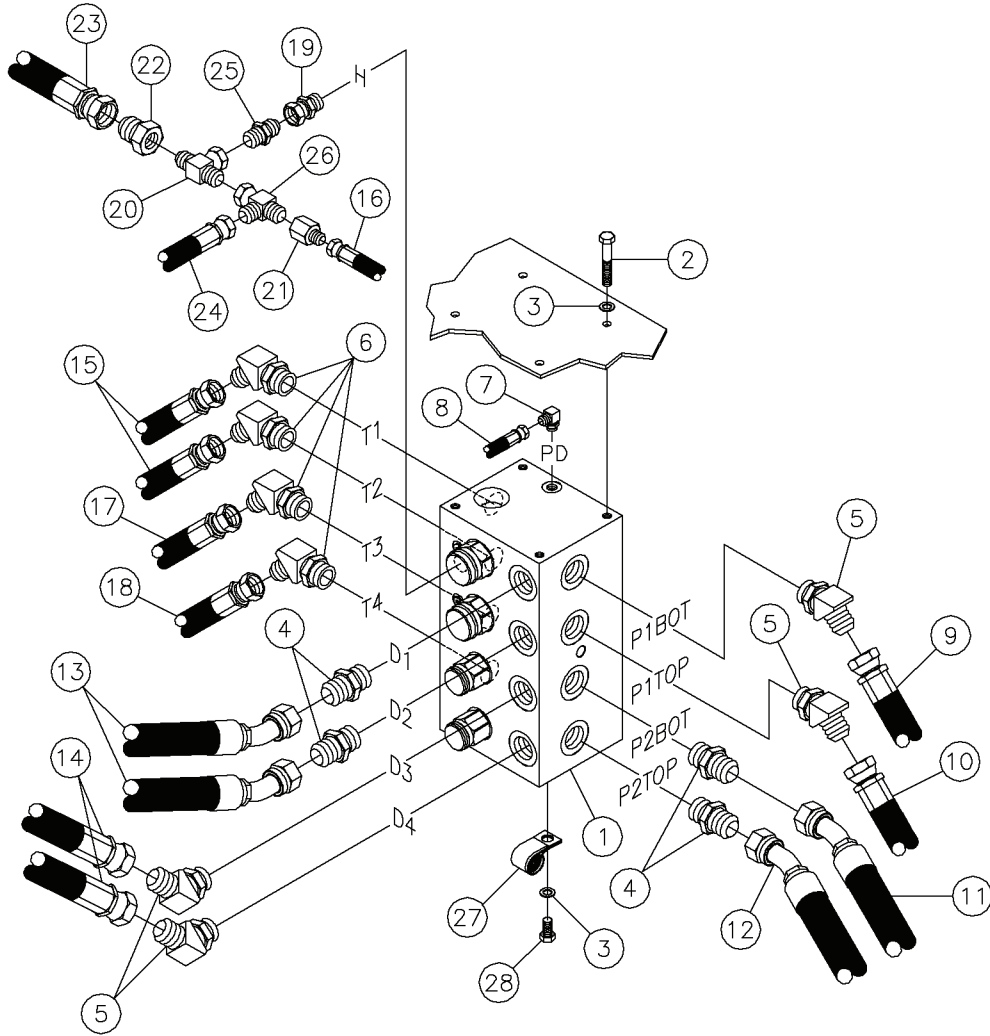
Water Control Hyd Valve Assy Fig 5-17



## Water Control Hyd Valve Assy Fig 5-17

REF. NO.	*	PART NO.	DESCRIPTION	QTY.	REMARKS
1		296257420	VALVE - WATER CONTROL	1	Breakdown On Fig 11-6
2		235713001	WASHER - FLATSTRL - .38 - .41 X .81 - .06-YA-A325	2	
3		235726001	BOLT-3/8-16X3/4 GR8 HEX ZNCPLT	2	
4		60908001	FITTING-4MX4M JIC STR ADAPTER	1	
5		296260492	MICRO HOSE - .078 X 160 4FSJIC 6900PSI	1	
6		53825001	#12M O-RING-#8M JIC ST.	1	
7		53854001	12M O-RING-10M JIC ST.	2	
8		57968001	FITTING-STR-4MJ-6MORB	1	
9		53844677	HOSE-1/2X19 8FSJIC 100R1	1	
10		296260463	HOSE - 5/8 X 14.5 ST/ST 10FSJIC 3300PSI	1	
11		296269290	HOSE-HYD-5/8 X 93 10FSJIC ST/ST 2350 PSI	1	
12		296260416	HOSE - 1/4 X 15 ST/ST 4FSJIC 3300PSI	1	

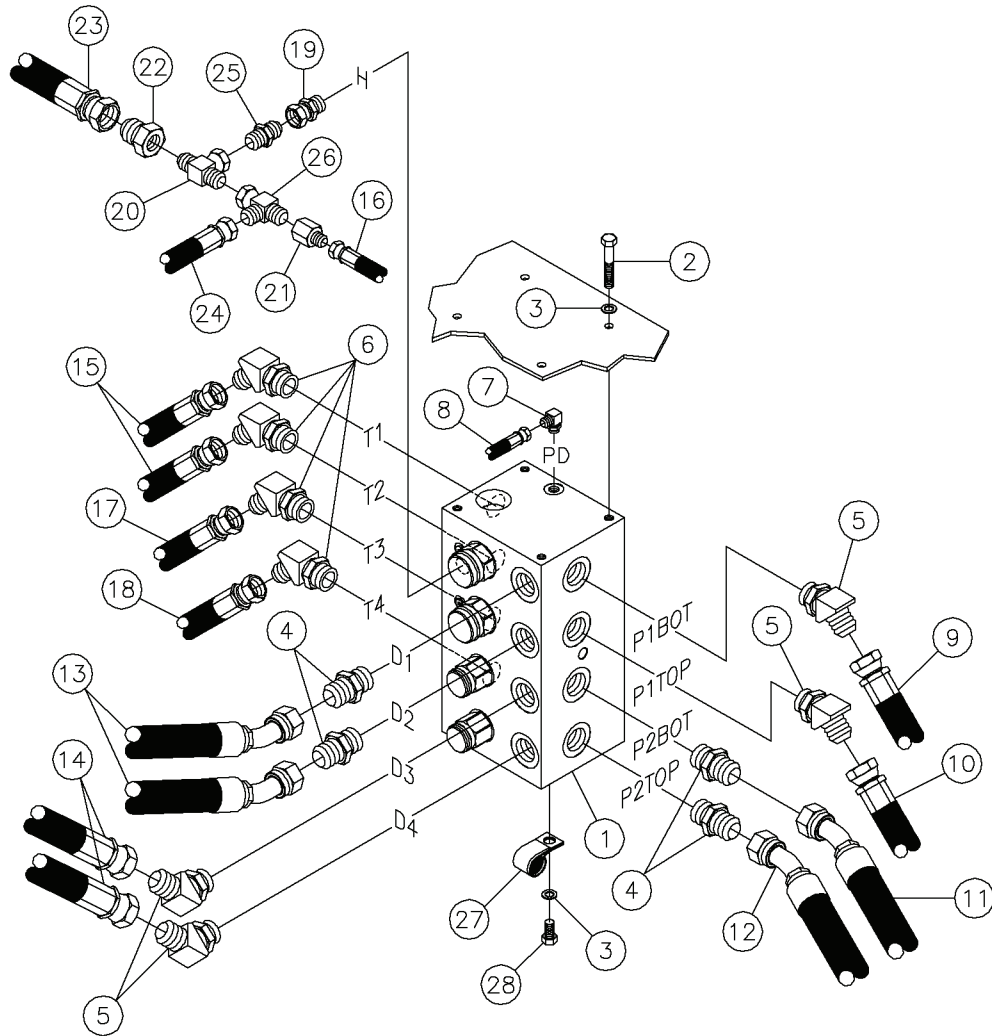
Drill Transport Hyd Valve Assy Fig 5-18r04



## Drill Transport Hyd Valve Assy Fig 5-18r04

REF. NO.	*	PART NO.	DESCRIPTION	QTY.	REMARKS
		Revision Date	May, 2005		Update In Illustration & Parts List.
1		278291001	VALVE - THRUST / TRANSPORT	1	Breakdown Fig 11-10
2		250529001	BOLT 3/8-16X2 1/2"GR.8 HEX	4	
3		235713001	WASHER - FLATSTRL - .38 - .41 X .81 - .06-YA-A325	5	
4		53828001	#12M O-RING-#12M JIC ST.	4	
5		58017001	12FS JICX12M JIC 45 DEG	4	
6		88659001	FITTING-12M ORINGX10MJIC 45DEG	4	
7		59423001	FIT-4M JICX4M ADJ.90 DEG.ELBOW	1	
8		296260420	HOSE - 1/4 X17 ST/ST 4FSJIC 3300PSI SLVD	1	
9		296260474	HOSE - 3/4 X 35.5 ST/45 12FSJIC 4000PSI	1	
10		296260472	HOSE - 3/4 X 28.5 ST/90 12FSJIC 4000PSI	1	
11		296260471	HOSE - 3/4 X 28.5 ST/45 12FSJIC 4000PSI	1	
12		296260473	HOSE - 3/4 X 33 ST/45 12FSJIC 4000PSI	1	
13		296270893	HOSE-HYD-3/4X169 12FSJIC ST/45 4000PSI	2	
14		296270894	HOSE-HYD-3/4X153 12FSJIC ST/ST 4000PSI	2	
15		296270822	HOSE - 5/8 X 56 ST/45 10FSJIC 4000PSI	2	
16		57940135	HOSE-HYD-3/4X153 12FSJIC ST/ST 4000PSI	1	
17		296270823	HOSE - 5/8 X 57 ST/45 10FSJIC 4000PSI	1	
18		296270821	HOSE-5/8X60 ST/45 10FSJIC 4000PSI	1	
19		296269284	FITTING-STR 8FSJX8MORB-R.125	1	
20		63687001	8JIC FS BCHX8JIC MX8JIC M TEE	1	
21		61500001	8 JIC F X 6 JIC M STR.	1	
22		505912001	TUBE EXPANDER - 8FJIC 12MJIC	1	
23		296260476	HOSE - 3/4 X 65 ST/90 12FSJIC 1000PSI	1	
24		296269288	HOSE-HYD-1/2X28 8FSJIC ST/ST 4000PSI	1	
25		67215001	8M JICX8M JIC STR.	1	
26		59461001	8 JIC SW RUN TEE	1	
27		2595009	CLAMP-1 1/4 HOSE #7701164	1	
28		235726001	BOLT-3/8-16X3/4 GR8 HEX ZNCPLT	1	

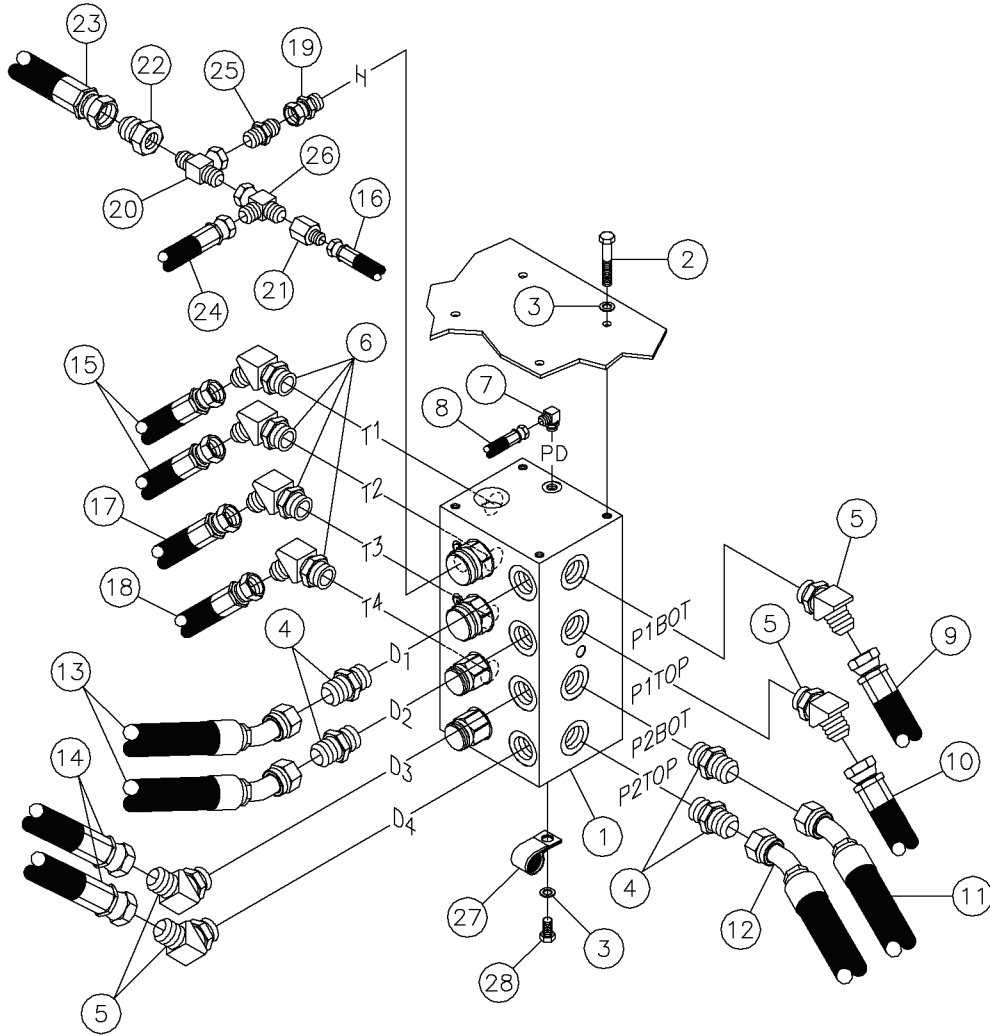
Drill Transport Hyd Valve Assy Fig 5-18r03



## Drill Transport Hyd Valve Assy Fig 5-18r03

REF. NO.	*	PART NO.	DESCRIPTION	QTY.	REMARKS
		Revision Date	October, 2004		Update In Parts List.
1		278291001	VALVE - THRUST / TRANSPORT	1	Breakdown Fig 11-10
2		250529001	BOLT 3/8-16X2 1/2"GR.8 HEX	4	
3		235713001	WASHER - FLATSTRL - .38 - .41 X .81 - .06-YA-A325	5	
4		53828001	#12M O-RING-#12M JIC ST.	4	
5		58017001	12FS JICX12M JIC 45 DEG	4	
6		88659001	FITTING-12M ORINGX10MJIC 45DEG	4	
7		59423001	FIT-4M JICX4M ADJ.90 DEG.ELBOW	1	
8		296260420	HOSE - 1/4 X17 ST/ST 4FSJIC 3300PSI SLVD	1	
9		296260474	HOSE - 3/4 X 35.5 ST/45 12FSJIC 4000PSI	1	
10		296260472	HOSE - 3/4 X 28.5 ST/90 12FSJIC 4000PSI	1	
11		296260471	HOSE - 3/4 X 28.5 ST/45 12FSJIC 4000PSI	1	
12		296260473	HOSE - 3/4 X 33 ST/45 12FSJIC 4000PSI	1	
13		296260478	HOSE - 3/4X163 ST/45 12FSJIC4000PSI SLVD	2	
14		296260477	HOSE - 3/4X147 ST/ST 12FSJIC4000PSI SLVD	2	
15		296270822	HOSE - 5/8 X 56 ST/45 10FSJIC 4000PSI	2	
16		296260459	HOSE-3/8X116 6FSJIC ST/ST 1000PSI SLVD	1	
17		296270823	HOSE - 5/8 X 57 ST/45 10FSJIC 4000PSI	1	
18		296270821	HOSE-5/8X60 ST/45 10FSJIC 4000PSI	1	
19		296269284	FITTING-STR 8FSJX8MORB-R.125	1	
20		63687001	8JIC FS BCHX8JIC MX8JIC M TEE	1	
21		61500001	8 JIC F X 6 JIC M STR.	1	
22		505912001	TUBE EXPANDER - 8FJIC 12MJIC	1	
23		296260476	HOSE - 3/4 X 65 ST/90 12FSJIC 1000PSI	1	
24		296269288	HOSE-HYD-1/2X28 8FSJIC ST/ST 4000PSI	1	
25		67215001	8M JICX8M JIC STR.	1	
26		59461001	8 JIC SW RUN TEE	1	
27		2595009	CLAMP-1 1/4 HOSE #7701164	1	
28		235726001	BOLT-3/8-16X3/4 GR8 HEX ZNCPLT	1	

Drill Transport Hyd Valve Assy Fig 5-18r02

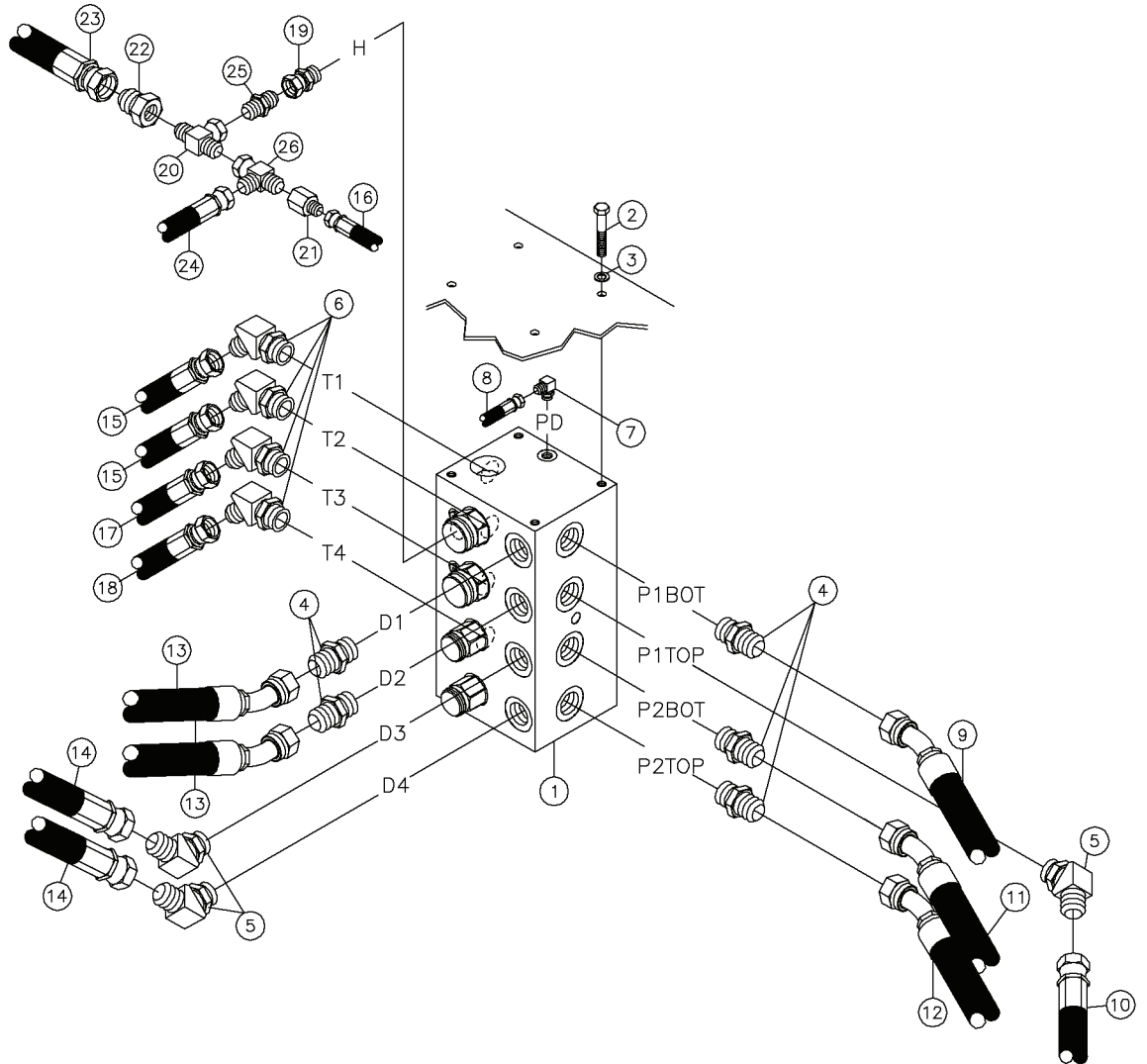




## Drill Transport Hyd Valve Assy Fig 5-18r02

REF. NO.	*	PART NO.	DESCRIPTION	QTY.	REMARKS
		Revision Date	July, 2004		Update In Illustration & Parts List.
1		278291001	VALVE - THRUST / TRANSPORT	1	Breakdown Fig 11-10
2		250529001	BOLT 3/8-16X2 1/2"GR.8 HEX	4	
3		235713001	WASHER - FLATSTRL - .38 - .41 X .81 - .06-YA-A325	5	
4		53828001	#12M O-RING-#12M JIC ST.	4	
5		58017001	12FS JICX12M JIC 45 DEG	4	
6		88659001	FITTING-12M ORINGX10MJIC 45DEG	4	
7		59423001	FIT-4M JICX4M ADJ.90 DEG.ELBOW	1	
8		296260420	HOSE - 1/4 X17 ST/ST 4FSJIC 3300PSI SLVD	1	
9		296260474	HOSE - 3/4 X 35.5 ST/45 12FSJIC 4000PSI	1	
10		296260472	HOSE - 3/4 X 28.5 ST/90 12FSJIC 4000PSI	1	
11		296260471	HOSE - 3/4 X 28.5 ST/45 12FSJIC 4000PSI	1	
12		296260473	HOSE - 3/4 X 33 ST/45 12FSJIC 4000PSI	1	
13		296260478	HOSE - 3/4X163 ST/45 12FSJIC4000PSI SLVD	2	
14		296260477	HOSE - 3/4X147 ST/ST 12FSJIC4000PSI SLVD	2	
15		296270822	HOSE - 5/8 X 56 ST/45 10FSJIC 4000PSI	2	
16		296260459	HOSE-3/8X116 6FSJIC ST/ST 1000PSI SLVD	1	
17		296270823	HOSE - 5/8 X 57 ST/45 10FSJIC 4000PSI	1	
18		296270821	HOSE-5/8X60 ST/45 10FSJIC 4000PSI	1	
19		269269284	FITTING-STR 8FSJX8MORB-R.125	1	
20		63687001	8JIC FS BCHX8JIC MX8JIC M TEE	1	
21		61500001	8 JIC F X 6 JIC M STR.	1	
22		505912001	TUBE EXPANDER - 8FJIC 12MJIC	1	
23		296260476	HOSE - 3/4 X 65 ST/90 12FSJIC 1000PSI	1	
24		296269288	HOSE-HYD-1/2X28 8FSJIC ST/ST 4000PSI	1	
25		67215001	8M JICX8M JIC STR.	1	
26		59461001	8 JIC SW RUN TEE	1	
27		2595009	CLAMP-1 1/4 HOSE #7701164	1	
28		235726001	BOLT-3/8-16X3/4 GR8 HEX ZNCPLT	1	

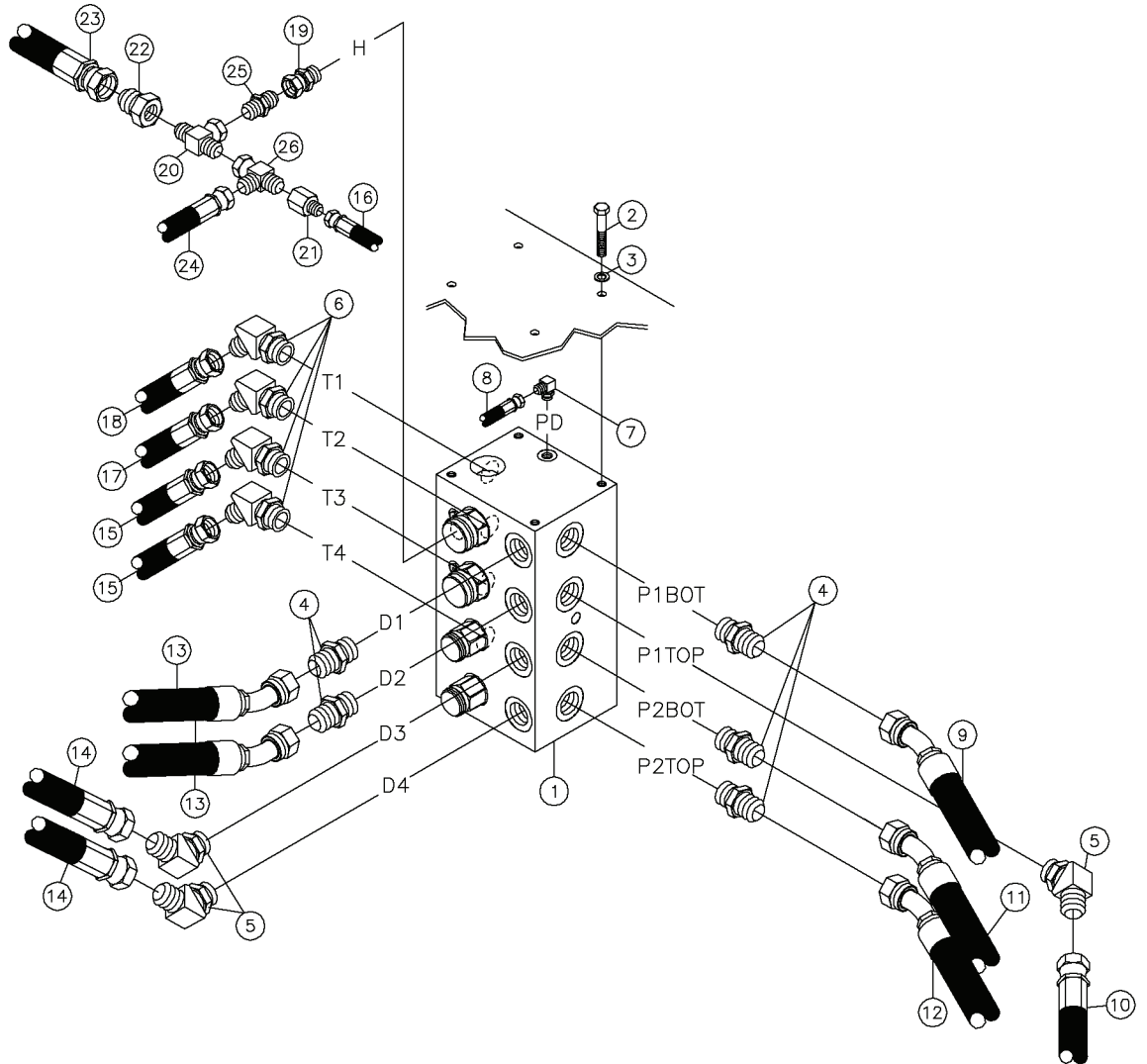
Drill Transport Hyd Valve Assy Fig 5-18r01



## Drill Transport Hyd Valve Assy Fig 5-18r01

REF. NO.	*	PART NO.	DESCRIPTION	QTY.	REMARKS
		Revision Date	February, 2004		Update In Illustration & Parts List.
1		278291001	VALVE - THRUST / TRANSPORT	1	Breakdown Fig 11-10
2		250529001	BOLT 3/8-16X2 1/2"GR.8 HEX	4	
3		235713001	WASHER - FLATSTRL - .38 - .41 X .81 - .06-YA-A325	4	
4		53828001	#12M O-RING-#12M JIC ST.	5	
5		60718001	12M JICX12M ADJ.45 DEG.EL	3	
6		88659001	FITTING-12M ORINGX10MJIC 45DEG	4	
7		59423001	FIT-4M JICX4M ADJ.90 DEG.ELBOW	1	
8		296260420	HOSE - 1/4 X17 ST/ST 4FSJIC 3300PSI SLVD	1	
9		296260474	HOSE - 3/4 X 35.5 ST/45 12FSJIC 4000PSI	1	
10		296260472	HOSE - 3/4 X 28.5 ST/90 12FSJIC 4000PSI	1	
11		296260471	HOSE - 3/4 X 28.5 ST/45 12FSJIC 4000PSI	1	
12		296260473	HOSE - 3/4 X 33 ST/45 12FSJIC 4000PSI	1	
13		296260478	HOSE - 3/4X163 ST/45 12FSJIC4000PSI SLVD	2	
14		296260477	HOSE - 3/4X143 ST/ST 12FSJIC4000PSI SLVD	2	
15		296270822	HOSE - 5/8 X 56 ST/45 10FSJIC 4000PSI	2	
16		296260459	HOSE-3/8X116 6FSJIC ST/ST 1000PSI SLVD	1	
17		296270823	HOSE - 5/8 X 57 ST/45 10FSJIC 4000PSI	1	
18		296270821	HOSE-5/8X60 ST/45 10FSJIC 4000PSI	1	
19		269269284	FITTING-STR 8FSJX8MORB-R.125	1	
20		63687001	8JIC FS BCHX8JIC MX8JIC M TEE	1	
21		61500001	8 JIC F X 6 JIC M STR.	1	
22		505912001	TUBE EXPANDER - 8FJIC 12MJIC	1	
23		296260476	HOSE - 3/4 X 65 ST/90 12FSJIC 1000PSI	1	
24		296269288	HOSE-HYD-1/2X28 8FSJIC ST/ST 4000PSI	1	
25		67215001	8M JICX8M JIC STR.	1	
26		59461001	8 JIC SW RUN TEE	1	

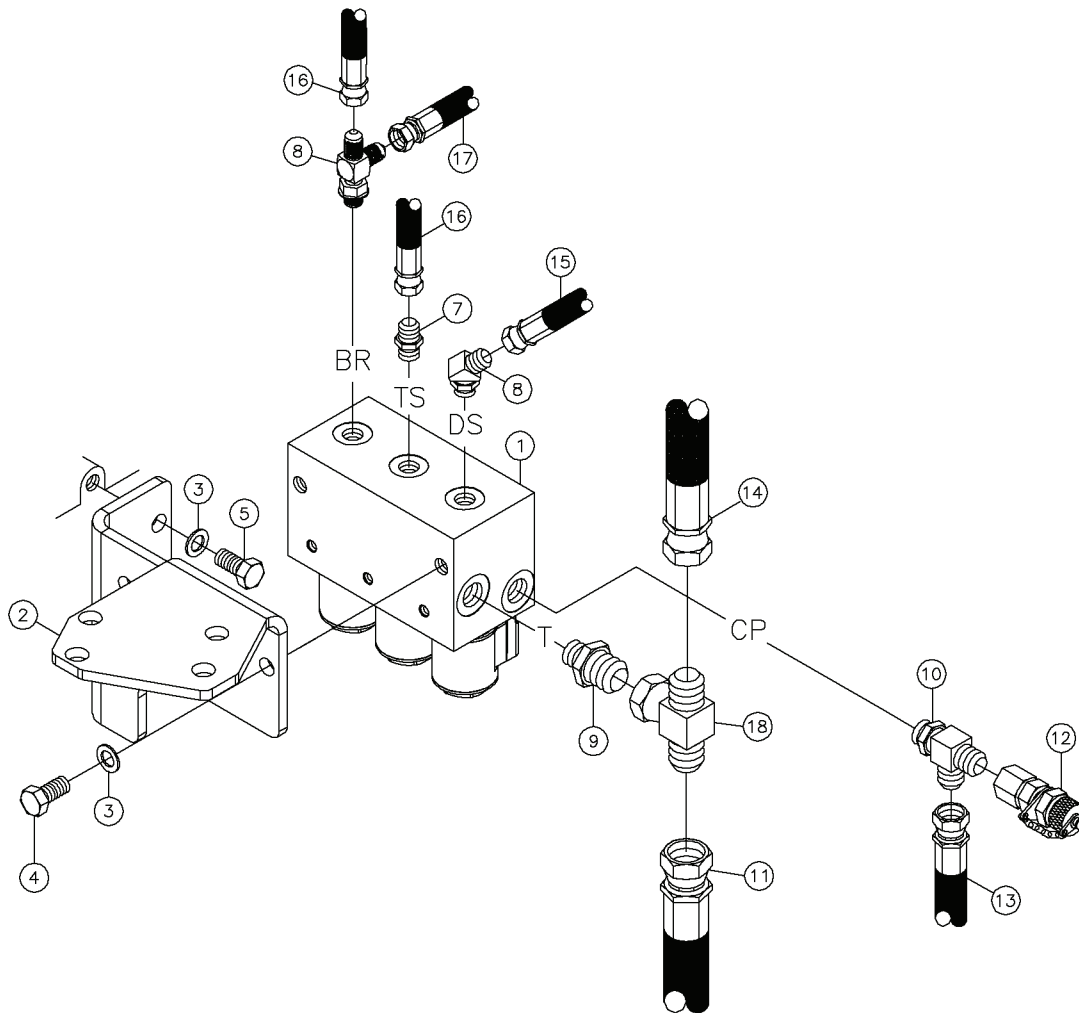
Drill Transport Hyd Valve Assy Fig 5-18



## Drill Transport Hyd Valve Assy Fig 5-18

REF. NO.	*	PART NO.	DESCRIPTION	QTY.	REMARKS
1		278291001	VALVE - THRUST / TRANSPORT	1	Breakdown Fig 11-10
2		250529001	BOLT 3/8-16X2 1/2"GR.8 HEX	4	
3		235713001	WASHER - FLATSTRL - .38 - .41 X .81 - .06-YA-A325	4	
4		53828001	#12M O-RING-#12M JIC ST.	5	
5		60718001	12M JICX12M ADJ.45 DEG.EL	3	
6		88659001	FITTING-12M ORINGX10MJIC 45DEG	4	
7		59423001	FIT-4M JICX4M ADJ.90 DEG.ELBOW	1	
8		296260420	HOSE - 1/4 X17 ST/ST 4FSJIC 3300PSI SLVD	1	
9		296260474	HOSE - 3/4 X 35.5 ST/45 12FSJIC 4000PSI	1	
10		296260472	HOSE - 3/4 X 28.5 ST/90 12FSJIC 4000PSI	1	
11		296260471	HOSE - 3/4 X 28.5 ST/45 12FSJIC 4000PSI	1	
12		296260473	HOSE - 3/4 X 33 ST/45 12FSJIC 4000PSI	1	
13		296260478	HOSE - 3/4X163 ST/45 12FSJIC4000PSI SLVD	2	
14		296260477	HOSE - 3/4X143 ST/ST 12FSJIC4000PSI SLVD	2	
15		296270822	HOSE - 5/8 X 56 ST/45 10FSJIC 4000PSI	2	
16		296260459	HOSE-3/8X116 6FSJIC ST/ST 1000PSI SLVD	1	
17		296270823	HOSE - 5/8 X 57 ST/45 10FSJIC 4000PSI	1	
18		296270821	HOSE-5/8X60 ST/45 10FSJIC 4000PSI	1	
19		269269284	FITTING-STR 8FSJX8MORB-R.125	1	
20		63687001	8JIC FS BCHX8JIC MX8JIC M TEE	1	
21		61500001	8 JIC F X 6 JIC M STR.	1	
22		505912001	TUBE EXPANDER - 8FJIC 12MJIC	1	
23		296260476	HOSE - 3/4 X 65 ST/90 12FSJIC 1000PSI	1	
24		296269288	HOSE-HYD-1/2X28 8FSJIC ST/ST 4000PSI	1	
25		67215001	8M JICX8M JIC STR.	1	
26		59461001	8 JIC SW RUN TEE	1	

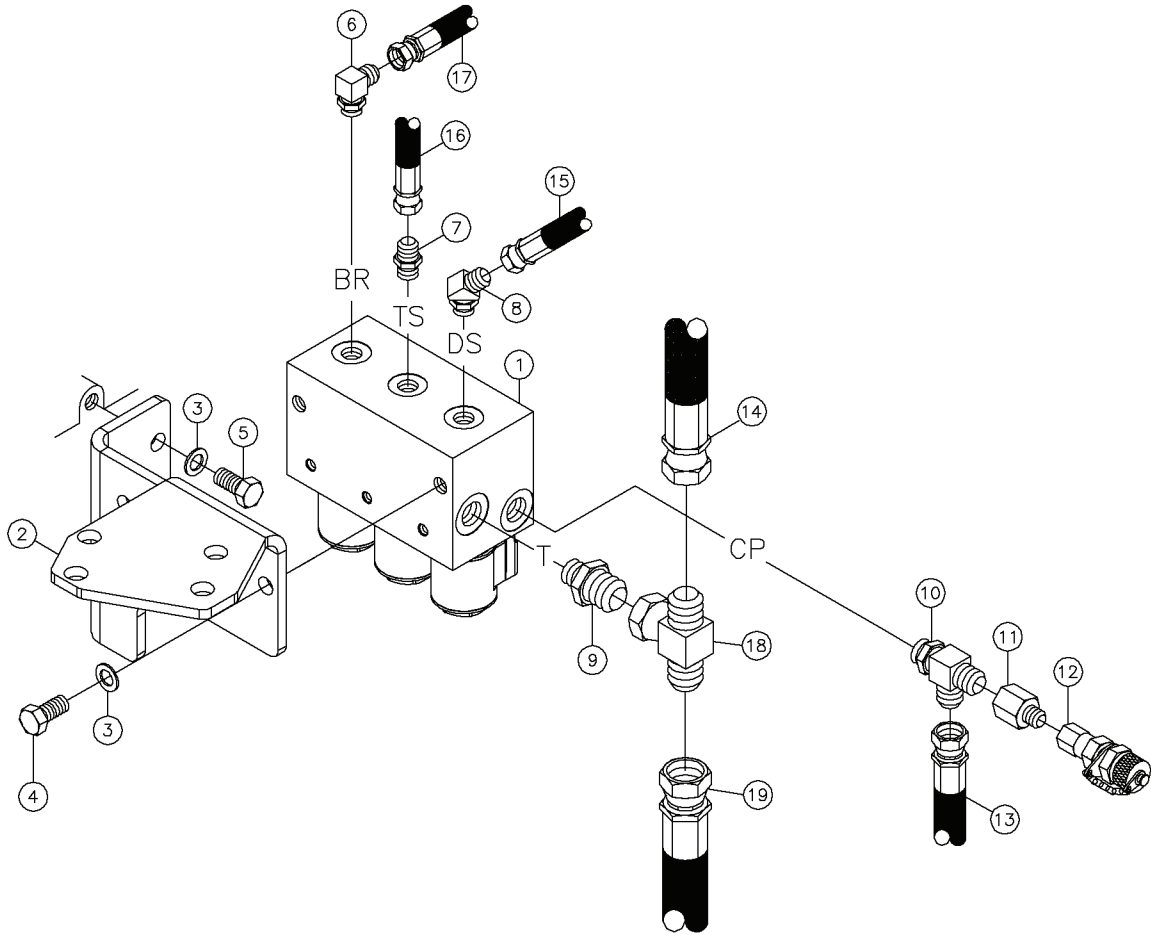
Pivot Valve Hyd Assy Fig 5-19r02



## Pivot Valve Hyd Assy Fig 5-19r02

REF. NO.	*	PART NO.	DESCRIPTION	QTY.	REMARKS
		Revision Date	May, 2005		Update In Illustration & Parts List.
1		296257416	VALVE - PILOT CONTROL	1	Breakdown Fig 11-8
2		296273305	MOUNT - VALVE	1	
3		235713001	WASHER - FLATSTRL - .38 - .41 X .81 - .06-YA-A325	4	
4		235726001	BOLT-3/8-16X3/4 GR8 HEX ZNCPLT	2	
5		238888001	BOLT-M10X1.50X25 HHCS CL-10.9 ZY	2	
6		59423001	FIT-4M JICX4M ADJ.90 DEG.ELBOW	1	
7		60908001	FITTING-4MX4M JIC STR ADAPTER	1	
8		81342001	FITTING-RTEE-4MJ-4MORBA-4MJ	1	
9		86235001	6M ORING X 8M JIC STR.	1	
10		68774001	FITTING-6MX6M JIC (RUN)X6M JIC	1	
11		296275037	HOSE - 8 FSJ ST X 8FSJ 90 X 18"	1	
12		296280278	FITTING - TEST - 6FSJ - 16MTP WITH ORING	1	
13		296260439	HOSE - 3/8 X 15 ST/90 6FSJIC 3300 PSI	1	
14		296260460	HOSE - 1/2 X 14 ST/ST 8FSJIC 500PSI	1	
15		296260420	HOSE - 1/4 X17 ST/ST 4FSJIC 3300PSI SLVD	1	
16		53843179	HOSE-1/4X180 4FS JIC 100R1	1	
17		296260429	HOSE - 1/4 X 57 ST/ST 4FSJIC 3300 PSI	1	
18		63687001	8JIC FS BCHX8JIC MX8JIC M TEE	1	

Pivot Valve Hyd Assy Fig 5-19r01

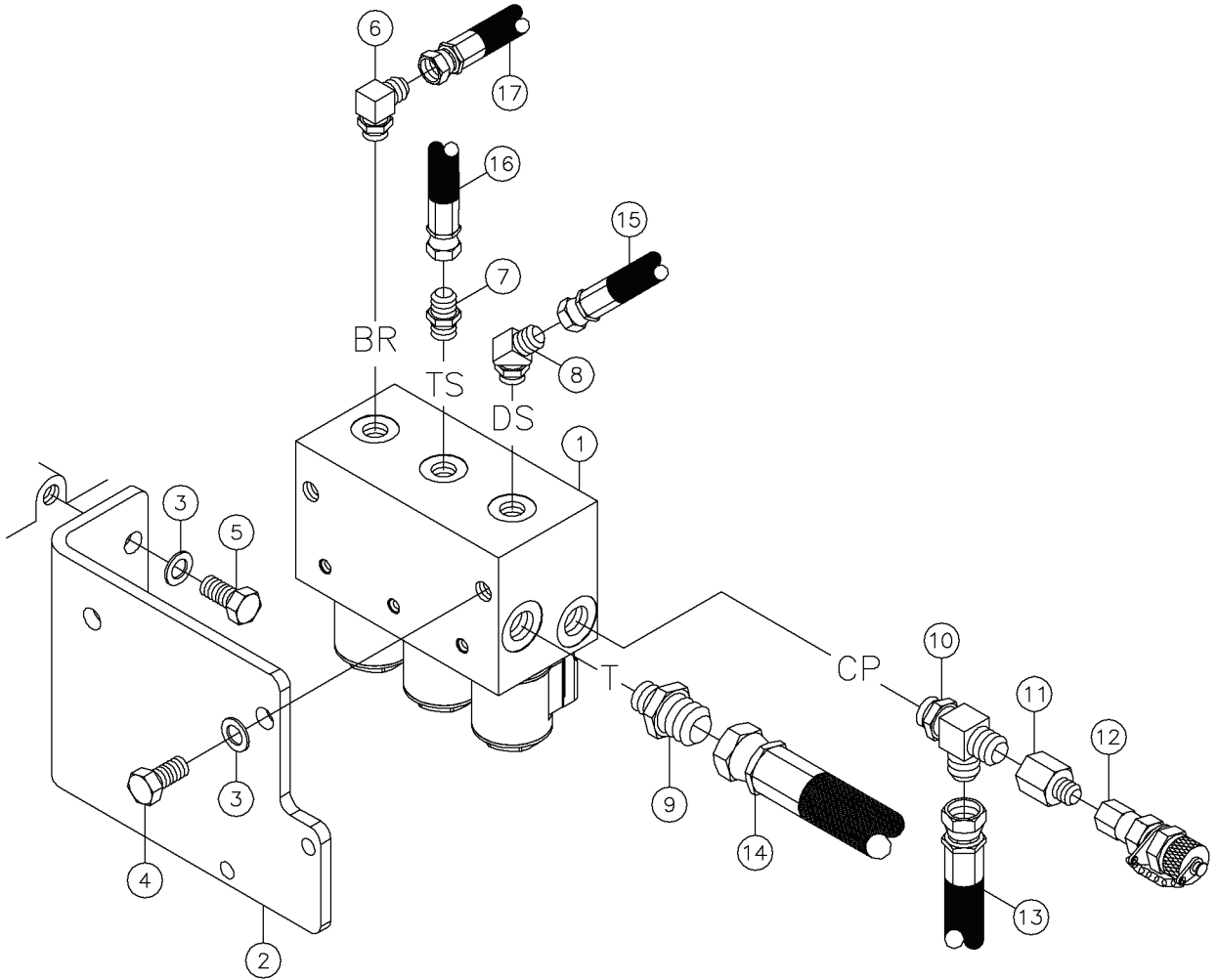




## Pivot Valve Hyd Assy Fig 5-19r01

REF. NO.	*	PART NO.	DESCRIPTION	QTY.	REMARKS
		Revision Date	July, 2004		Update In Illustration & Parts List.
1		296257416	VALVE - PILOT CONTROL	1	Breakdown Fig 11-8
2		296273305	MOUNT - VALVE	1	
3		235713001	WASHER - FLATSTRL - .38 - .41 X .81 - .06-YA-A325	4	
4		235726001	BOLT-3/8-16X3/4 GR8 HEX ZNCPLT	2	
5		238888001	BOLT-M10X1.50X25 HHCS CL-10.9 ZY	2	
6		59423001	FIT-4M JICX4M ADJ.90 DEG.ELBOW	1	
7		60908001	FITTING-4MX4M JIC STR ADAPTER	1	
8		58295001	FITTING-4M OR X 4M JIC 45 DEG.	1	
9		86235001	6M ORING X 8M JIC STR.	1	
10		68774001	FITTING-6MX6M JIC (RUN)X6M JIC	1	
11		59928001	6F JICX4M JIC ST REDUCER	1	
12		83015001	FITTING-4F JIC DIAGNOSTIC	1	
13		296260439	HOSE - 3/8 X 15 ST/90 6FSJIC 3300 PSI	1	
14		296260460	HOSE - 1/2 X 14 ST/ST 8FSJIC 500PSI	1	
15		296260420	HOSE - 1/4 X17 ST/ST 4FSJIC 3300PSI SLVD	1	
16		296260435	HOSE - 1/4X174 ST/ST 4FSJIC 3300PSI SLVD	1	
17		296260429	HOSE - 1/4 X 57 ST/ST 4FSJIC 3300 PSI	1	
18		63687001	8JIC FS BCHX8JIC MX8JIC M TEE	1	
19		296275037	HOSE - 8 FSJ ST X 8FSJ 90 X 18"	1	

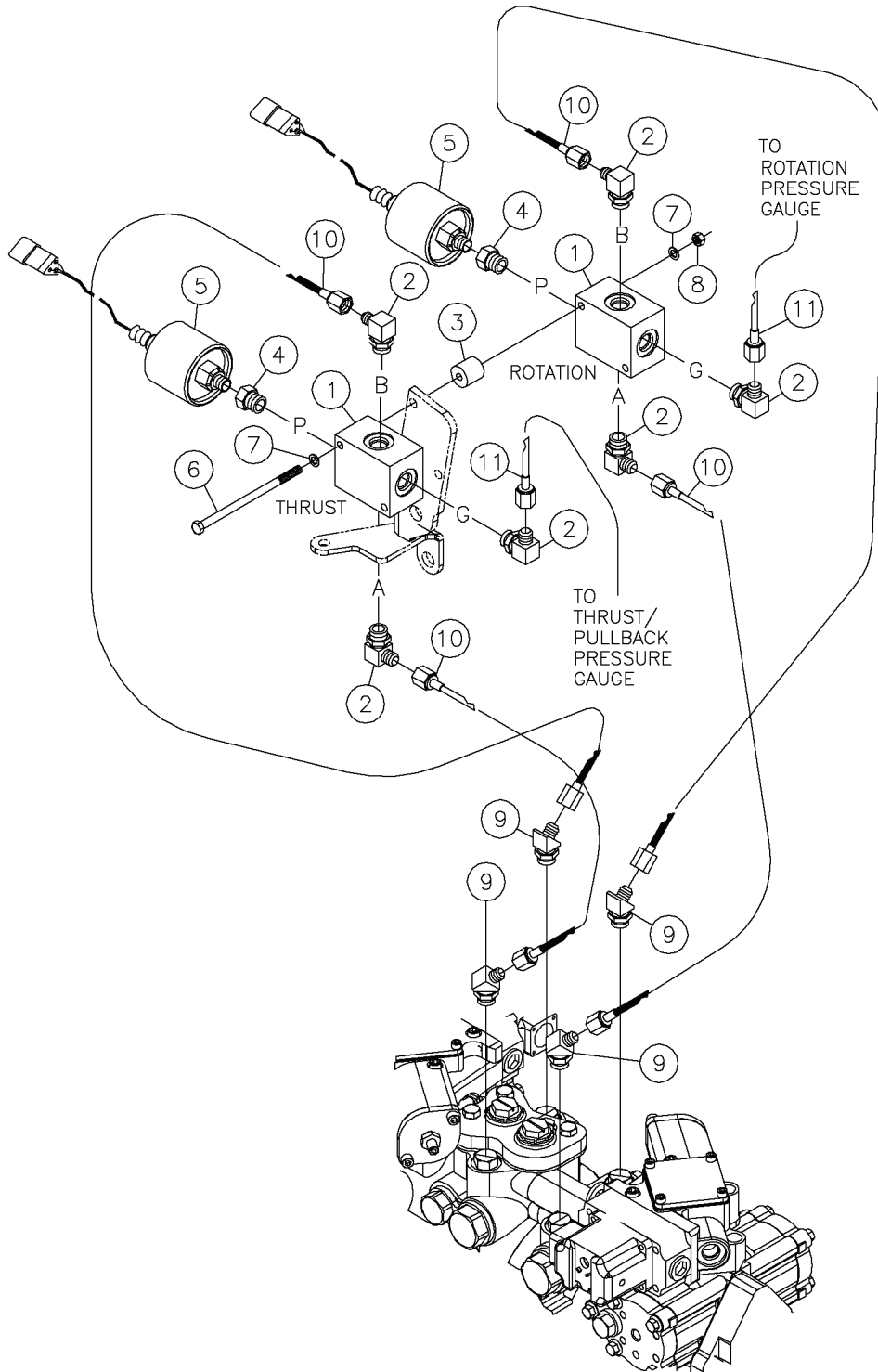
Pivot Valve Hyd Assy Fig 5-19



## Pivot Valve Hyd Assy Fig 5-19

REF. NO.	*	PART NO.	DESCRIPTION	QTY.	REMARKS
1		296257416	VALVE - PILOT CONTROL	1	Breakdown Fig 11-8
2		296266649	MOUNT - VALVE	1	
3		235713001	WASHER - FLATSTRL - .38 - .41 X .81 - .06-YA-A325	4	
4		235726001	BOLT-3/8-16X3/4 GR8 HEX ZNCPLT	2	
5		238888001	BOLT-M10X1.50X25 HHCS CL-10.9 ZY	2	
6		59423001	FIT-4M JICX4M ADJ.90 DEG.ELBOW	1	
7		60908001	FITTING-4MX4M JIC STR ADAPTER	1	
8		58295001	FITTING-4M OR X 4M JIC 45 DEG.	1	
9		86235001	6M ORING X 8M JIC STR.	1	
10		68774001	FITTING-6MX6M JIC (RUN)X6M JIC	1	
11		59928001	6F JICX4M JIC ST REDUCER	1	
12		83015001	FITTING-4F JIC DIAGNOSTIC	1	
13		296260439	HOSE - 3/8 X 15 ST/90 6FSJIC 3300 PSI	1	
14		296260460	HOSE - 1/2 X 14 ST/ST 8FSJIC 500PSI	1	
15		296260420	HOSE - 1/4 X17 ST/ST 4FSJIC 3300PSI SLVD	1	
16		296260435	HOSE - 1/4X174 ST/ST 4FSJIC 3300PSI SLVD	1	
17		296260429	HOSE - 1/4 X 57 ST/ST 4FSJIC 3300 PSI	1	

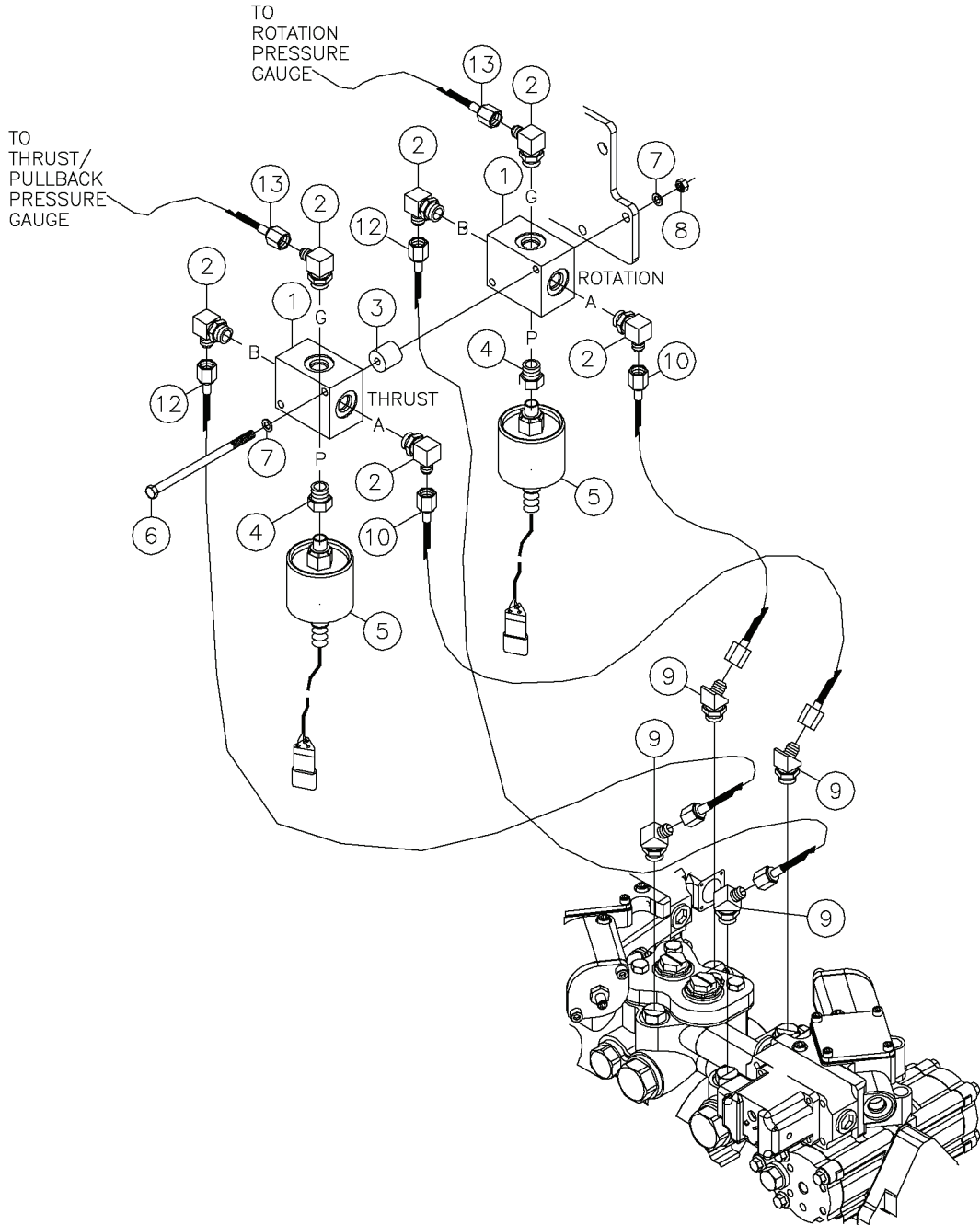
Shuttle Valve Hyd Assy Fig 5-20r02



## Shuttle Valve Hyd Assy Fig 5-20r02

REF. NO.	*	PART NO.	DESCRIPTION	QTY.	REMARKS
		Revision Date	June, 2004		Update In Illustration & Parts List.
1		296260411	VALVE - SHUTTLE	2	
		296267116	SHUTTLE VALVE	1	
		260040007	SEAL KIT	1	
2		57950001	FITTING-90-4MJ-6MORBA	6	
3		1075023	TUBING-RND.3/4ODX5/16ID- .75	2	
4		67291001	FITTING - STR - 6MORB - 4FORB	2	
5		296260407	TRANSDUCER - PRESSURE	2	
6		296258562	SCREW - HCS - .25 - 20 X 4.50 - GR8 - YZ	2	
7		235716001	WASHER - FLATSTRL - .25 - .28 X .63 - .06 - CZ	4	
8		235732001	NUT - HEX - .25 - 20 - GR8 - YZ	2	
9		82931001	FITTING-6MX4M JIC 45DEG.ELBOW	4	
10		285556001	HOSE - .078 X 18 4 FS JIC ST/ST 6900 PSI	4	
11		296260492	MICRO HOSE - .078 X 160 4FSJIC 6900PSI	2	

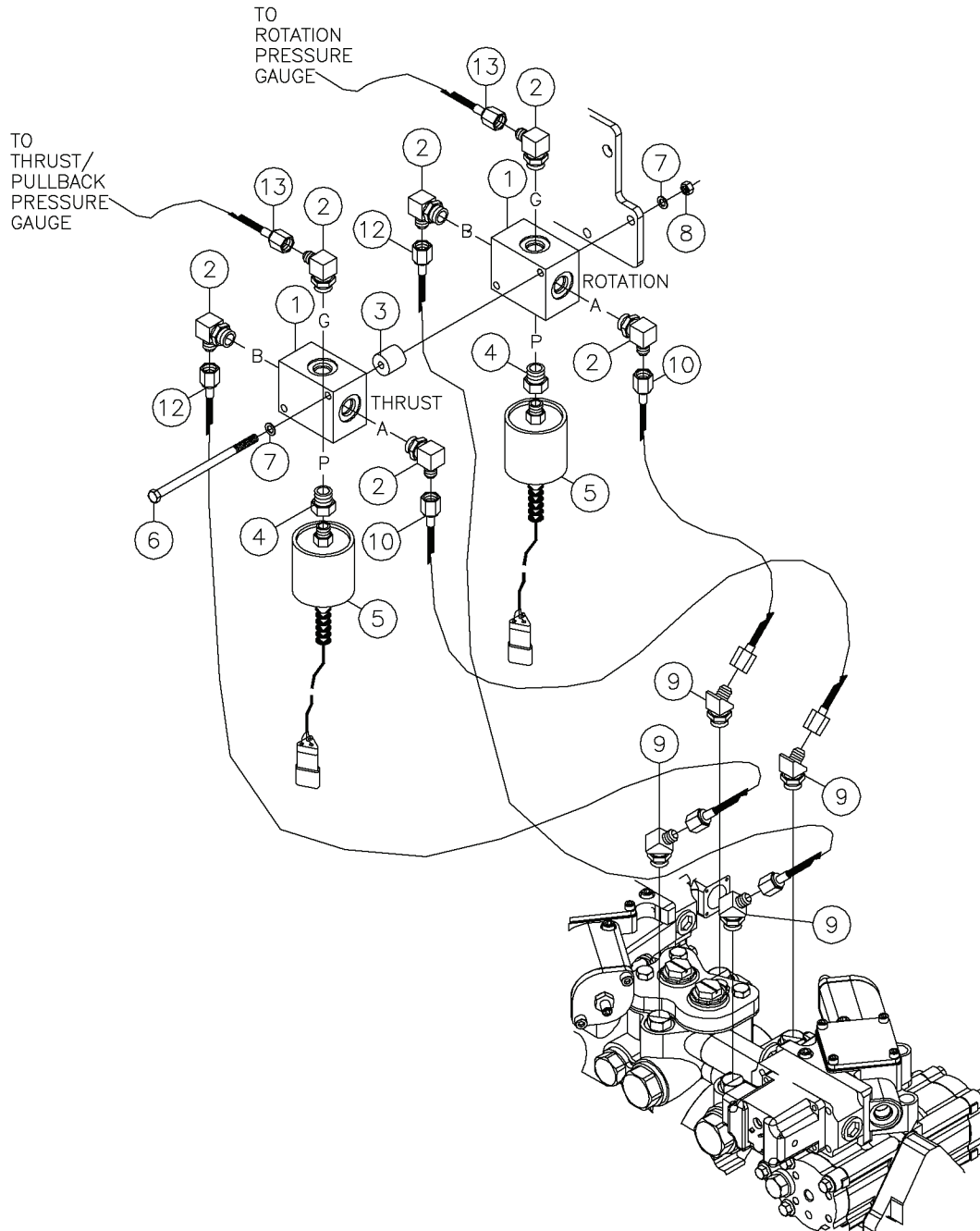
Shuttle Valve Hyd Assy Fig 5-20r01



## Shuttle Valve Hyd Assy Fig 5-20r01

REF. NO.	*	PART NO.	DESCRIPTION	QTY.	REMARKS
		Revision Date	February, 2004		Update In Illustration & Parts List.
1		296260411	VALVE - SHUTTLE	2	
		296267116	SHUTTLE VALVE	1	
		260040007	SEAL KIT	1	
2		57950001	FITTING-90-4MJ-6MORBA	6	
3		1075023	TUBING-RND.3/4ODX5/16ID- .75	2	
4		67291001	FITTING - STR - 6MORB - 4FORB	2	
5		296260407	TRANSDUCER - PRESSURE	2	
6		296258562	SCREW - HCS - .25 - 20 X 4.50 - GR8 - YZ	2	
7		235716001	WASHER - FLATSTRL - .25 - .28 X .63 - .06 - CZ	4	
8		235732001	NUT - HEX - .25 - 20 - GR8 - YZ	2	
9		82931001	FITTING-6MX4M JIC 45DEG.ELBOW	4	
10		296260491	MICRO HOSE - .078 X 23 4FSJIC 6900PSI	2	
12		285556001	HOSE - .078 X 18 4 FS JIC ST/ST 6900 PSI	2	
13		296260492	MICRO HOSE - .078 X 160 4FSJIC 6900PSI	2	

Shuttle Valve Hyd Assy Fig 5-20

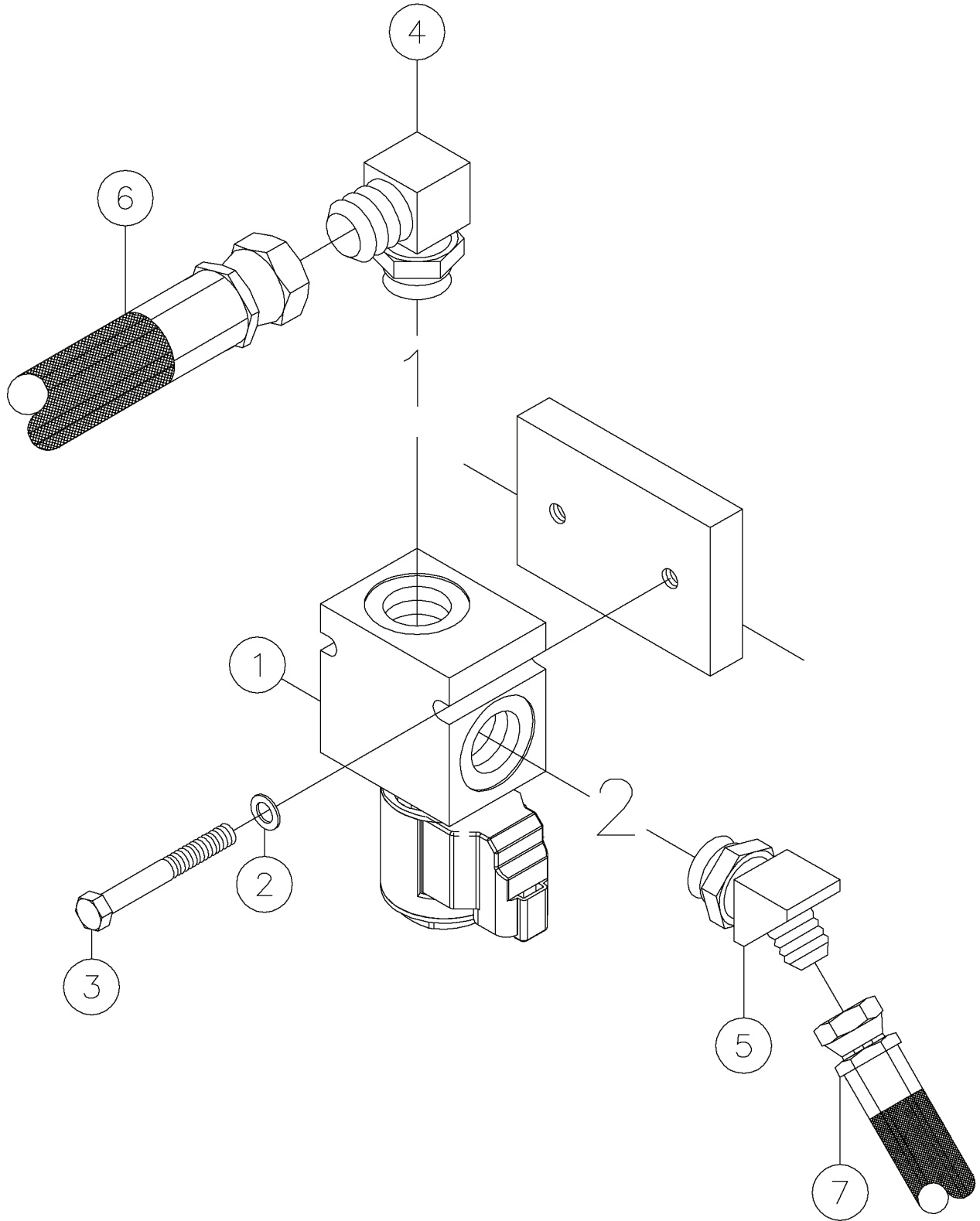




## Shuttle Valve Hyd Assy Fig 5-20

REF. NO.	*	PART NO.	DESCRIPTION	QTY.	REMARKS
1		296260411	VALVE - SHUTTLE	2	
		296267116	SHUTTLE VALVE	1	
		260040007	SEAL KIT	1	
2		57950001	FITTING-90-4MJ-6MORBA	6	
3		1075023	TUBING-RND.3/4ODX5/16ID- .75	2	
4		67291001	FITTING - STR - 6MORB - 4FORB	2	
5		296260407	TRANSDUCER - PRESSURE	2	
6		296258562	SCREW - HCS - .25 - 20 X 4.50 - GR8 - YZ	2	
7		235716001	WASHER - FLATSTRL - .25 -.28 X .63 - .06 - CZ	4	
8		235732001	NUT - HEX - .25 - 20 - GR8 - YZ	2	
9		82931001	FITTING-6MX4M JIC 45DEG.ELBOW	4	
10		296260491	MICRO HOSE - .078 X 23 4FSJIC 6900PSI	2	
12		285556001	HOSE - .078 X 18 4 FS JIC ST/ST 6900 PSI	2	
13		296260492	MICRO HOSE - .078 X 160 4FSJIC 6900PSI	2	

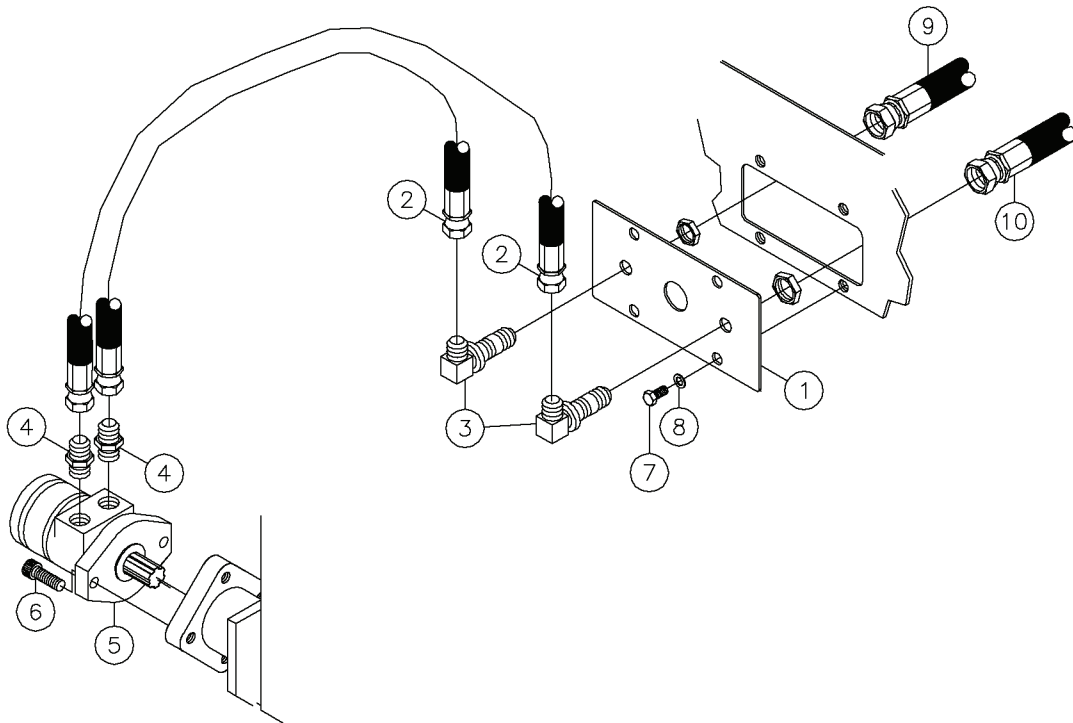
Tranport Flush Hyd Valve Assy Fig 5-21



## Tranport Flush Hyd Valve Assy Fig 5-21

REF. NO.	*	PART NO.	DESCRIPTION	QTY.	REMARKS
1		296266539	VALVE - STAKEDOWN ENABLE	1	Breakdown Fig 11-4
2		235716001	WASHER - FLATSTRL - .25 -.28 X .63 - .06 - CZ	2	
3		23821001	BOLT - 1/4-20X1 1/2 GR8 HEX ZYC	2	
4		53837001	FITTING - 8M O-RING X 8M JIC 90 DEGREE	1	
5		59425001	FITTING-6M JICX8M ADJ.45 ELBOW	1	
6		296269288	HOSE-HYD-1/2X28 8FSJIC ST/ST 4000PSI	1	
7		296270818	HOSE-HYD 3/8 X 23 6FSJIC ST/45 4000PSI	1	

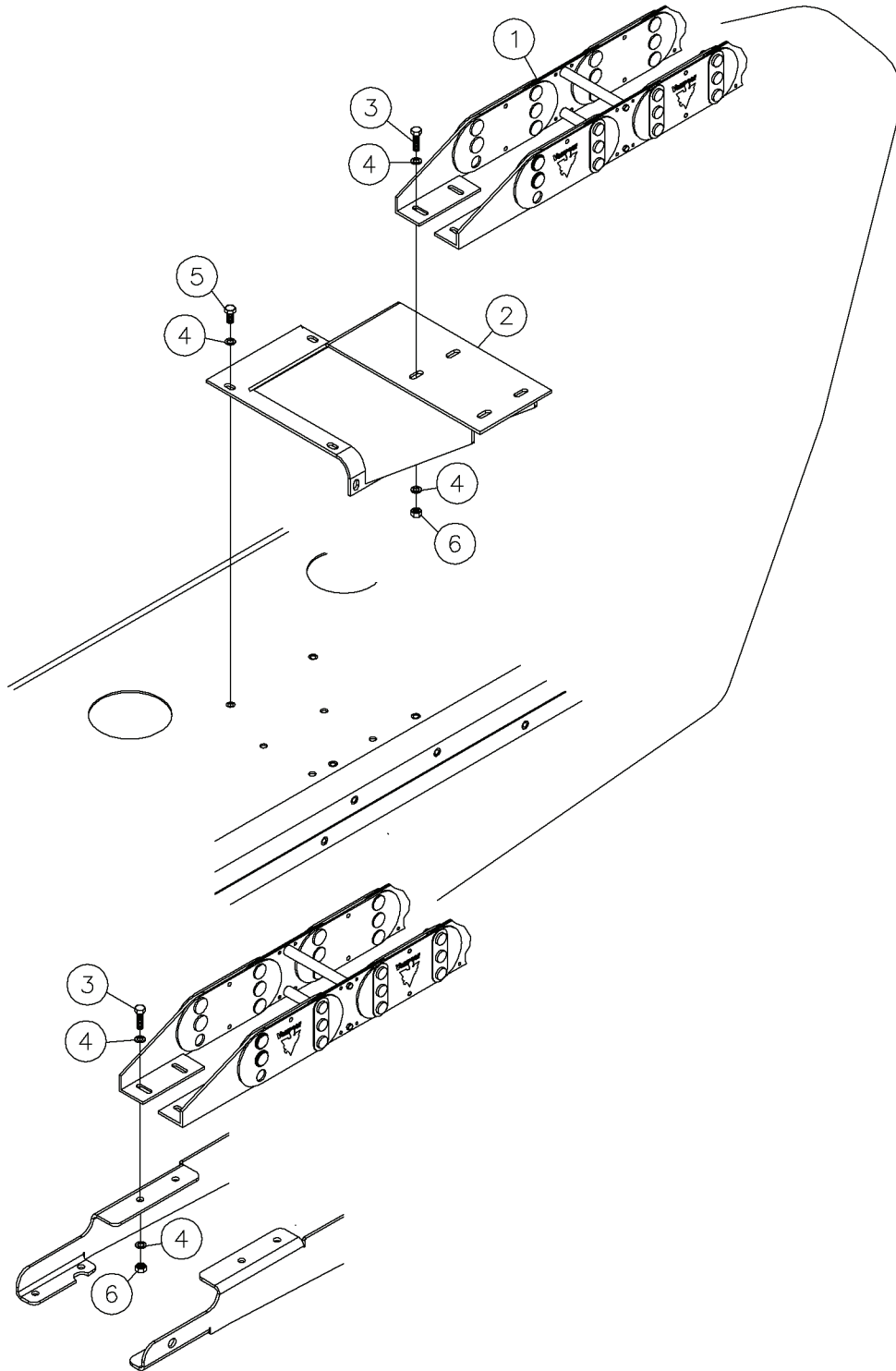
Water Pump Hyd Motor Assy Fig 5-22



## Water Pump Hyd Motor Assy Fig 5-22

REF. NO.	*	PART NO.	DESCRIPTION	QTY.	REMARKS
1		296266643	BULKHEAD - HYD. HOSE	1	
2		296260469	HOSE - 5/8 X 63 ST/ST 10FSJIC 2350PSI	2	
3		77735001	FITTING - BH90 - 10MJ - 10MJ - LN	2	
4		53827001	FITT.-#10M O-RING-#10M JIC ST.	2	
5		287506001	MOTOR - ROSS MF W/ SPEED SENSOR	1	Breakdown Fig 11-14
6		514014	1/2-13X1 1/2" SOCKET HEAD BOLT	2	
7		235726001	BOLT-3/8-16X3/4 GR8 HEX ZNCPLT	4	
8		235713001	WASHER - FLATSTRL - .38 - .41 X .81 - .06-YA-A325	4	
9		296270817	HOSE-HYD 5/8 X 50 12FSJIC ST/ST 3300PSI	1	
10		296269290	HOSE-HYD-5/8 X 93 10FSJIC ST/ST 2350 PSI	1	

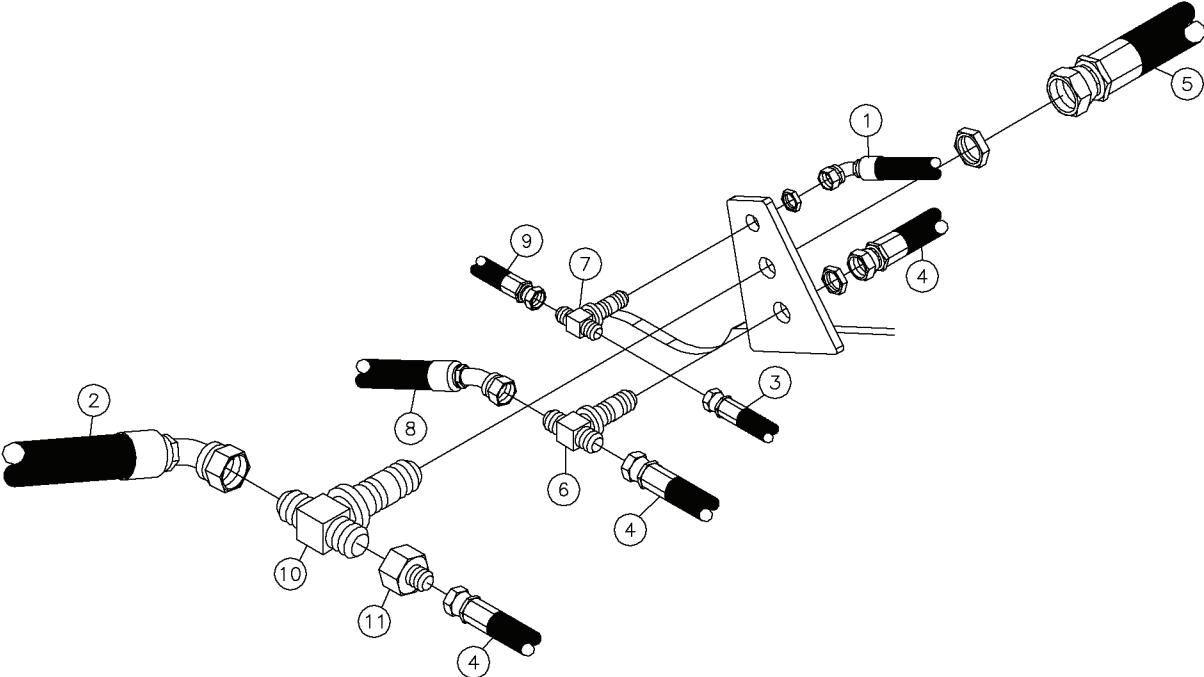
Hose Carrier Assy Fig 5-23



## Hose Carrier Assy Fig 5-23

REF. NO.	*	PART NO.	DESCRIPTION	QTY.	REMARKS
1		296257193	TRACK - HOSE	1	breakdown fig 11-22
2		296257228	MOUNT - UPPER HOSE TRACK	1	
3		235727001	BOLT-3/8-16X1 GR8 HEX ZINC PLT	8	
4		235713001	WASHER - FLATSTRL - .38 - .41 X .81 - .06-YA-A325	25	
5		235726001	BOLT-3/8-16X3/4 GR8 HEX ZNCPLT	9	
6		235725001	NUT - HEX - .38 - 16 - GR8 - YZ	8	

Undercarriage Bulkhead Hyd Assy Fig 5-24r02

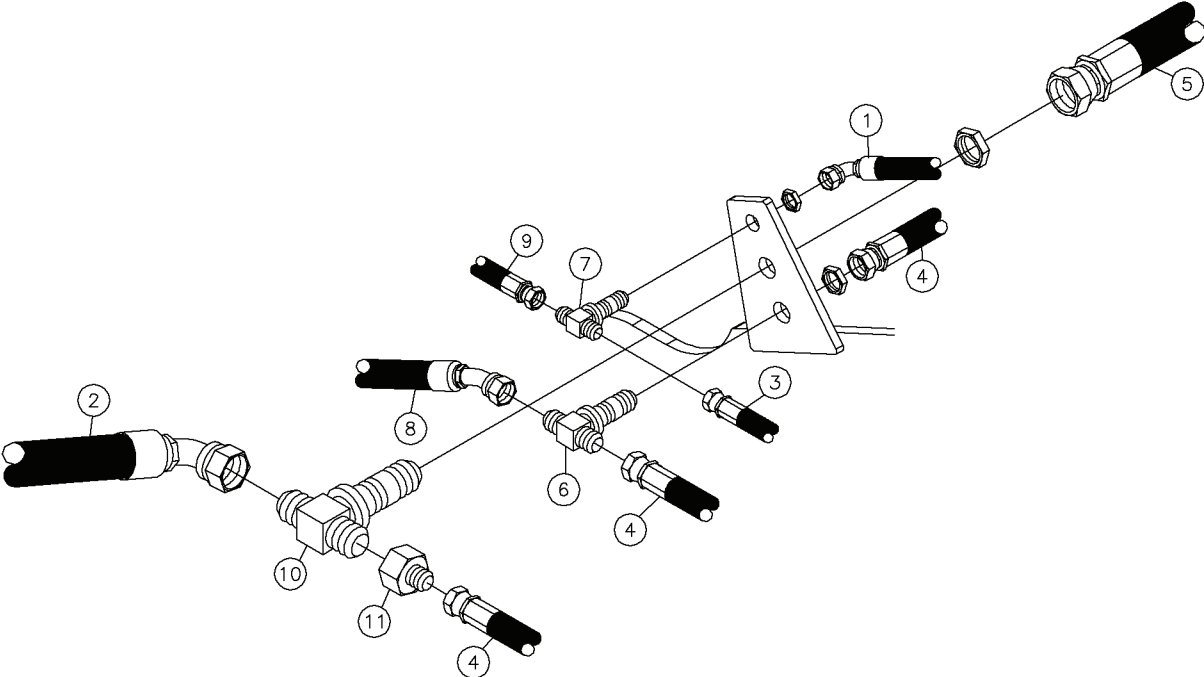




## Undercarriage Bulkhead Hyd Assy Fig 5-24r02

REF. NO.	*	PART NO.	DESCRIPTION	QTY.	REMARKS
		Revision Date	May, 2005		Update In Parts List.
1		296270831	HOSE - 1/4X75 ST/45 4FSJIC 3300PSI	1	
2		296275056	HOSE-5/8 X 32 - 10FSJIC-ST/45-3000PSI	1	
3		296260433	HOSE - 1/4 X 90 ST/ST 4FSJIC 3300 PSI	1	
4		296269291	HOSE-HYD-3/8X60 6FSJIC ST/ST 3300 PSI	3	
5		296275057	HOSE-5/8 X 32 -10FSJIC-ST/90-3000PSI	1	
6		60726001	6M JIC BULKHEAD TEE	1	
7		60926001	FITT.-4JIC BULKHEAD BRANCH TEE	1	
8		296270815	HOSE-HYD-3/8X32 6FSJIC ST/45 4000PSI	1	
9		53843173	HOSE-1/4X114 4FS JIC 100R1	1	
10		111476001	FITTING-10MX10MX10M BRANCH TEE	1	
11		71253001	FITTING-6M JICX10F JIC REDUCER	1	

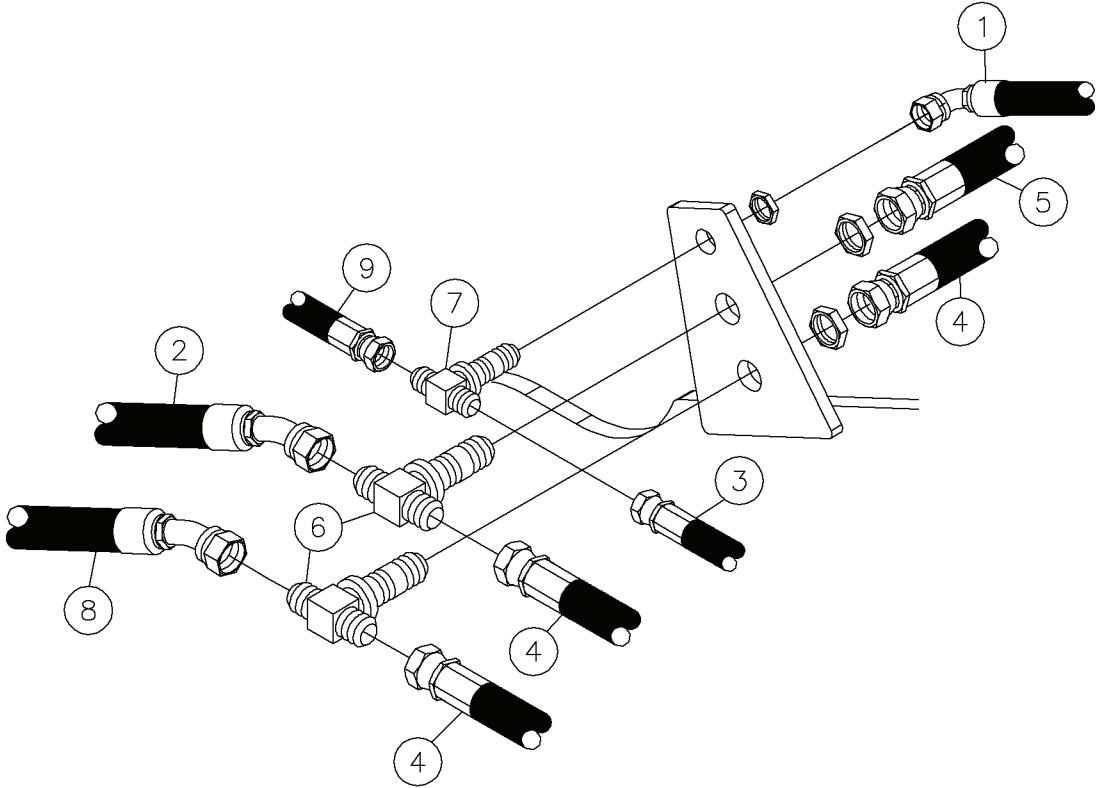
Undercarriage Bulkhead Hyd Assy Fig 5-24r01



## Undercarriage Bulkhead Hyd Assy Fig 5-24r01

REF. NO.	*	PART NO.	DESCRIPTION	QTY.	REMARKS
		Revision Date	June, 2004		Update In Illustration & Parts List.
1		296270831	HOSE - 1/4X75 ST/45 4FSJIC 3300PSI	1	
2		296275056	HOSE-5/8 X 32 - 10FSJIC-ST/45-3000PSI	1	
3		296260433	HOSE - 1/4 X 90 ST/ST 4FSJIC 3300 PSI	1	
4		296269291	HOSE-HYD-3/8X60 6FSJIC ST/ST 3300 PSI	3	
5		296275057	HOSE-5/8 X 32 -10FSJIC-ST/90-3000PSI	1	
6		60726001	6M JIC BULKHEAD TEE	1	
7		60926001	FITT.-4JIC BULKHEAD BRANCH TEE	1	
8		296270815	HOSE-HYD-3/8X32 6FSJIC ST/45 4000PSI	1	
9		296260434	HOSE - 1/4 X 112 ST/ST 4FSJIC 3300PSI	1	
10		111476001	FITTING-10MX10MX10M BRANCH TEE	1	
11		71253001	FITTING-6M JICX10F JIC REDUCER	1	

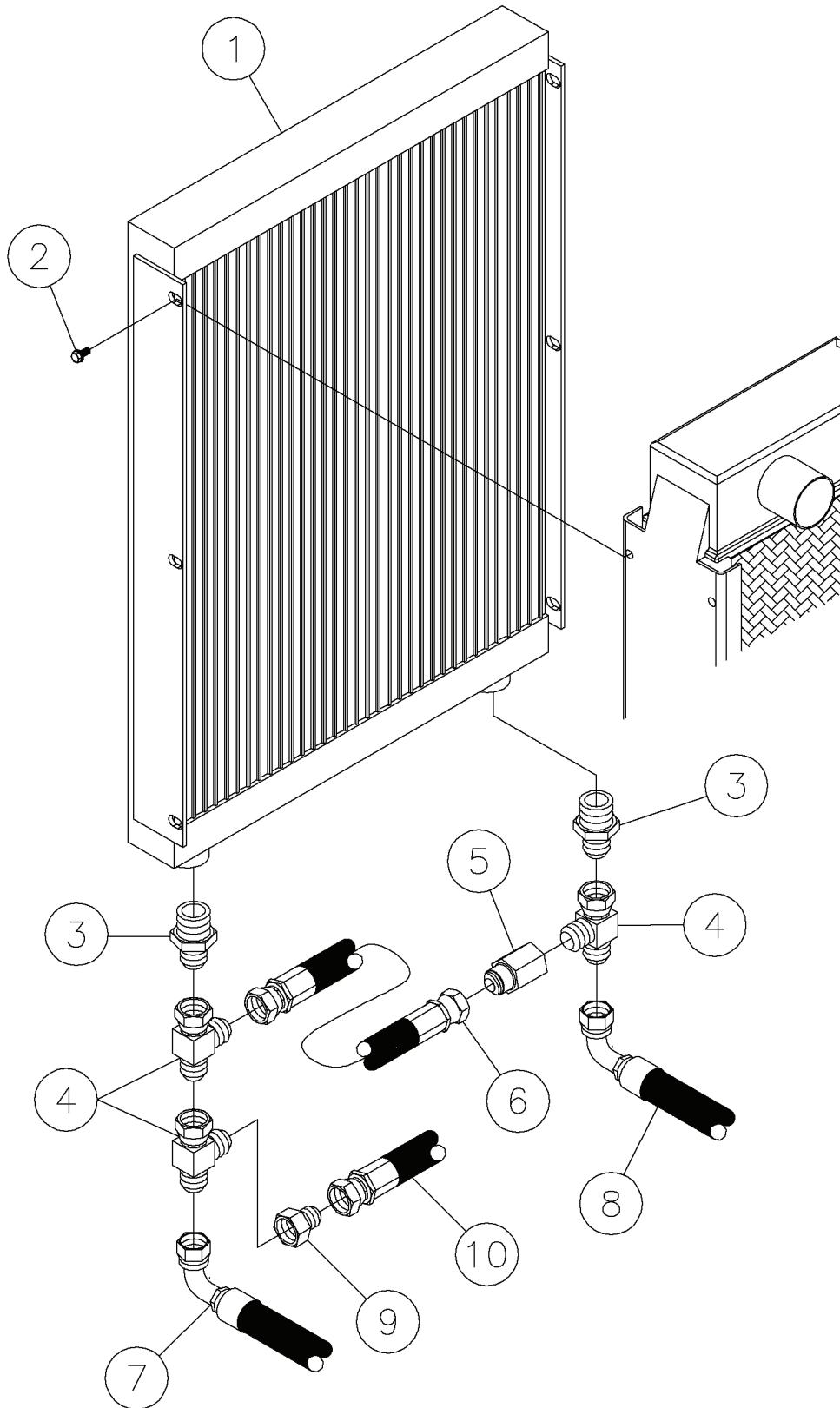
Undercarriage Bulkhead Hyd Assy Fig 5-24



## Undercarriage Bulkhead Hyd Assy Fig 5-24

REF. NO.	*	PART NO.	DESCRIPTION	QTY.	REMARKS
1		296270831	HOSE - 1/4X75 ST/45 4FSJIC 3300PSI	1	
2		296270814	HOSE-HYD-3/8X30 6FSJIC ST/45 4000PSI	1	
3		296260433	HOSE - 1/4 X 90 ST/ST 4FSJIC 3300 PSI	1	
4		296269291	HOSE-HYD-3/8X60 6FSJIC ST/ST 3300 PSI	3	
5		296269293	HOSE-HYD-3/8X32 6FSJIC ST/90 3300PSI	1	
6		60726001	6M JIC BULKHEAD TEE	2	
7		60926001	FITT.-4JIC BULKHEAD BRANCH TEE	1	
8		296270815	HOSE-HYD-3/8X32 6FSJIC ST/45 4000PSI	1	
9		296260434	HOSE - 1/4 X 112 ST/ST 4FSJIC 3300PSI	1	

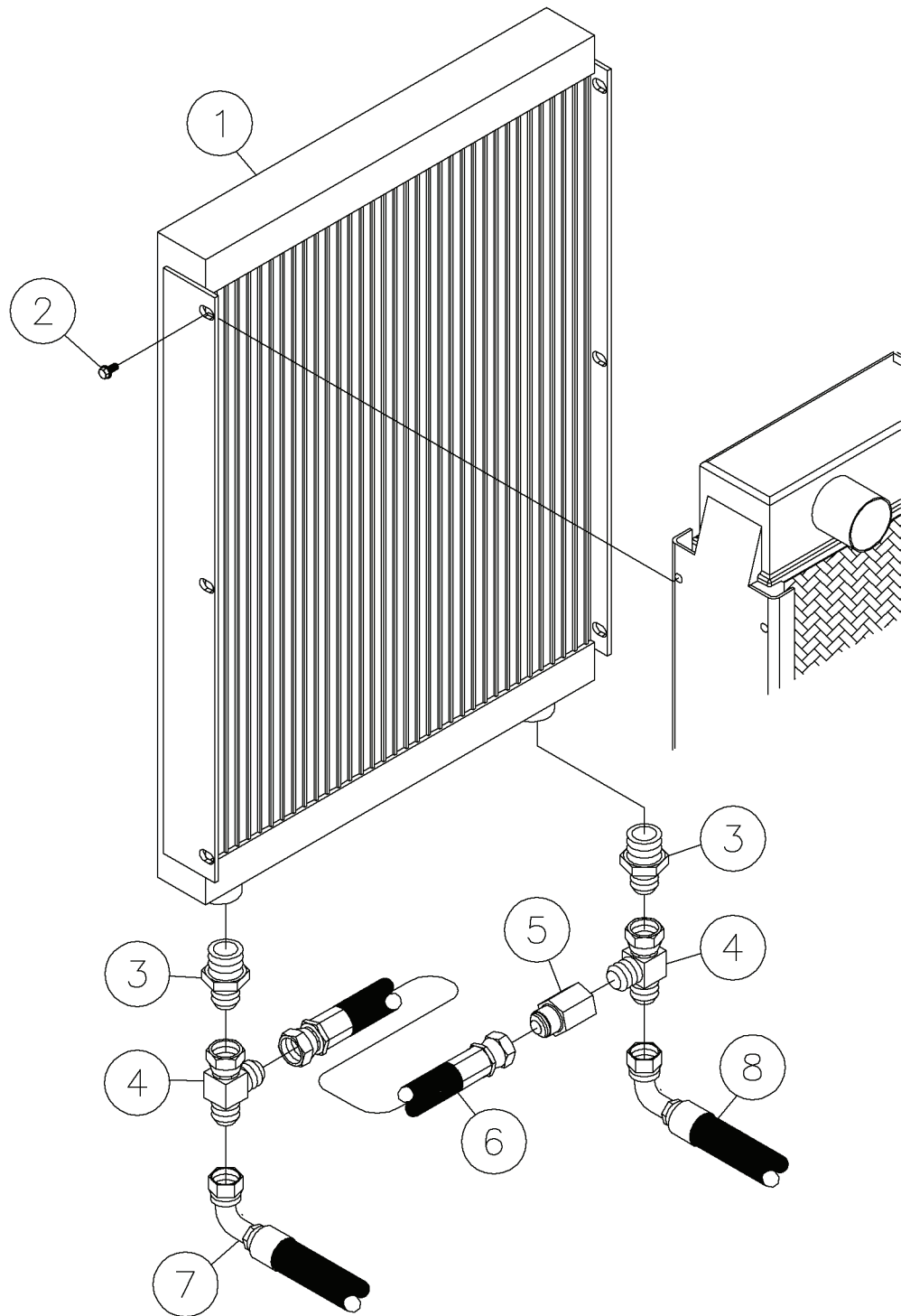
Oil Cooler Hyd Assy Fig 5-25r01



## Oil Cooler Hyd Assy Fig 5-25r01

REF. NO.	*	PART NO.	DESCRIPTION	QTY.	REMARKS
		Revision Date	July, 2004		Update In Illustration & Parts List.
1		296257198	COOLER - OIL	1	
2		235742001	BOLT-5/16-18X3/4 GR8 ZINC PLTD	6	
3		70008001	FITTING-16M X 12M JIC STR.	2	
4		59417001	12 JIC SW RUN TEE	3	
5		296257223	VALVE - 50PSI BYPASS	1	
6		296260470	HOSE - 3/4 X 13.5 ST/ST 12FSJIC 1000PSI	1	
7		296260475	HOSE- 3/4 X 46 ST/90 12FSJIC 4000PSI	1	
8		296260476	HOSE - 3/4 X 65 ST/90 12FSJIC 1000PSI	1	S/N 208-
9		81690001	FITTING-12F JICX10M JIC ST.	1	S/N 208-
10		296275058	HOSE-5/8X81-10FSJIC-ST/90-3000PSI	1	S/N 208-

Oil Cooler Hyd Assy Fig 5-25



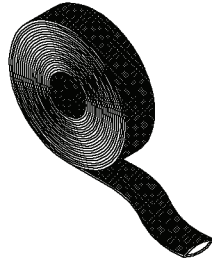


## Oil Cooler Hyd Assy Fig 5-25

REF. NO.	*	PART NO.	DESCRIPTION	QTY.	REMARKS
1		296257198	COOLER - OIL	1	
2		235742001	BOLT-5/16-18X3/4 GR8 ZINC PLTD	6	
3		70008001	FITTING-16M X 12M JIC STR.	2	
4		59417001	12 JIC SW RUN TEE	2	
5		296257223	VALVE - 50PSI BYPASS	1	
6		296260470	HOSE - 3/4 X 13.5 ST/ST 12FSJIC 1000PSI	1	
7		296260475	HOSE- 3/4 X 46 ST/90 12FSJIC 4000PSI	1	
8		296260476	HOSE - 3/4 X 65 ST/90 12FSJIC 1000PSI	1	

Miscellaneous Supplies Fig 5-26

CORDURA SLEEVES



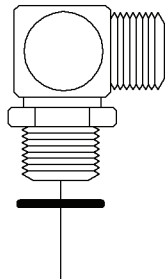
INSIDE DIAMETER	PART NUMBER
.71	83726001
1.22	66094001
1.42	67264001
1.59	69129001
1.81	53840001
2.37	53841001

NOTE: SPECIFY LENGTH WHEN ORDERING

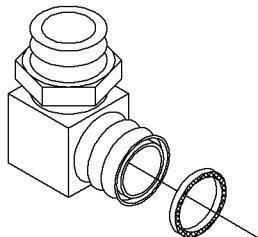
TIE STRAPS

LENGTH	PART NUMBER
4 IN.	78657001
8 IN.	59634001
15 IN.	58151001

O-RINGS



SAE FITTING SIZE	REPLACEMENT O-RING PART NO.
4M	78185027
5M	53649081
6M	59088057
8M	59088053
10M	792029
12M	78518037
14M	64082019
16M	81580001
20M	93316001



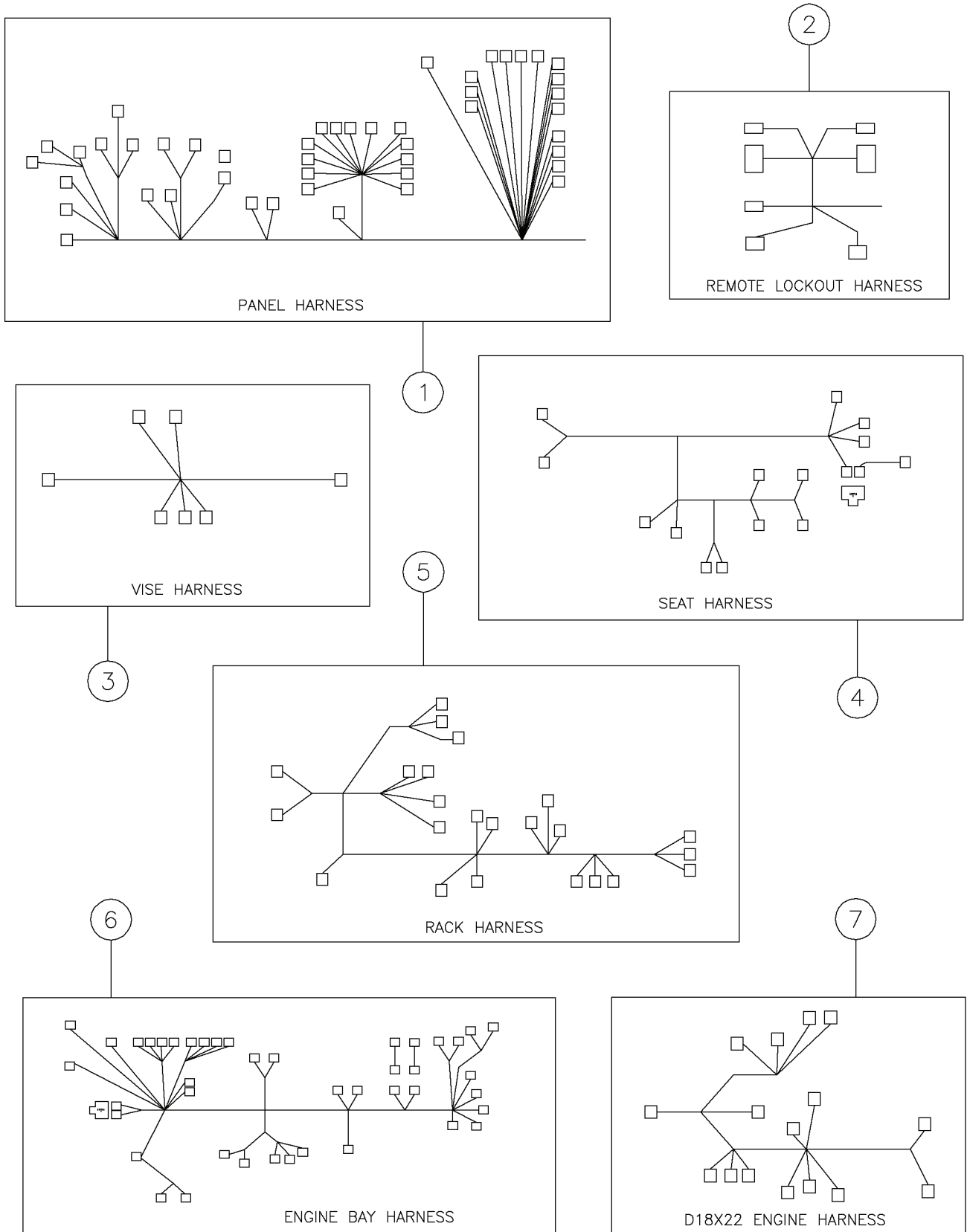
ORS (FLAT FACE) FITTING SIZE	REPLACEMENT O-RING PART NO.
4	93843001
6	93844001
8	93845001
10	93846001
12	93847001
16	93848001
20	93849001
24	93850001

NOTE: O-RINGS LISTED ARE 90 DUROMETER

Miscellaneous Supplies Fig 5-26

REF. NO.	*	PART NO.	DESCRIPTION	QTY.	REMARKS
			Miscellaneous Supplies		

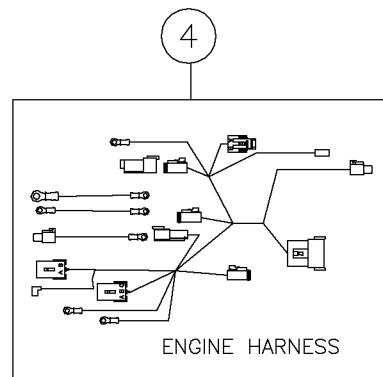
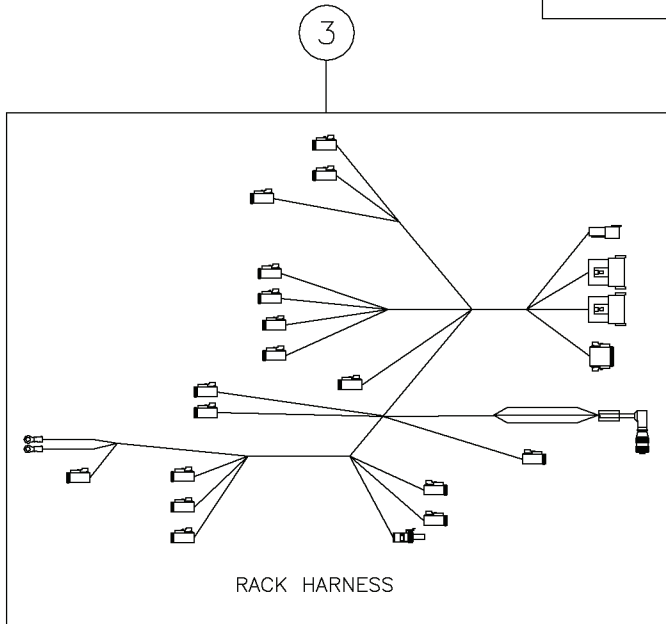
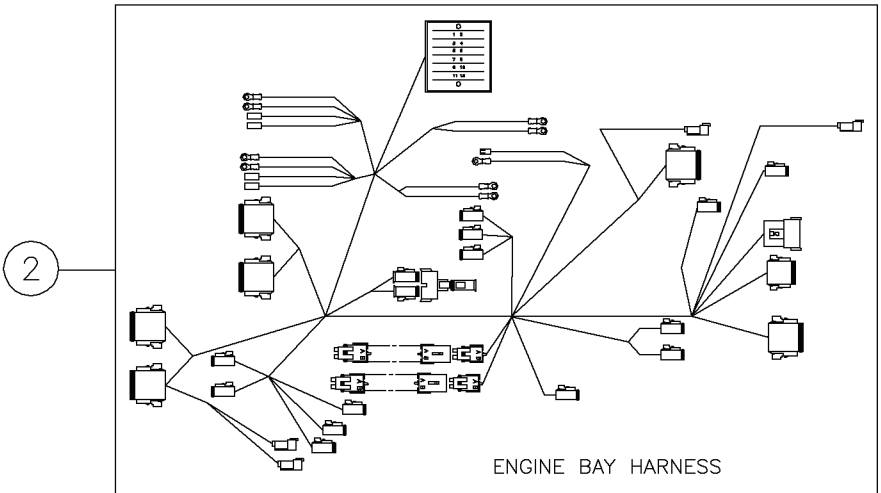
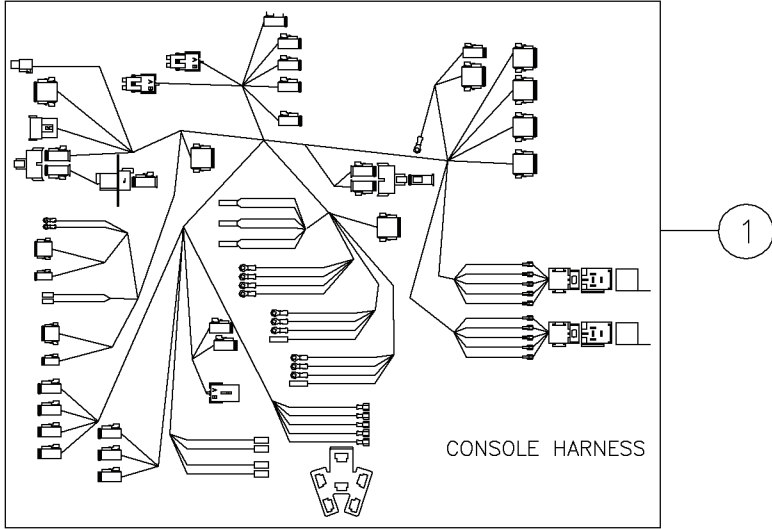
Electrical Harness Assy Fig 6-1r02



## Electrical Harness Assy Fig 6-1r02

REF. NO.	*	PART NO.	DESCRIPTION	QTY.	REMARKS
		Revision Date	May, 2005		Update In Illustration & Parts List.
1		296280327	HARNESS - PANEL	1	
2		296272597	HARNESS-REMOTE LOCKOUT D18X22- ADD ON	1	
3		296280329	HARNESS - VISE	1	
4		296280328	HARNESS - SEAT	1	
5		296280332	HARNESS - RACK	1	
6		296280330	HARNESS - ENGINE BAY	1	
7		296280331	HARNESS - D18X22 ENGINE	1	

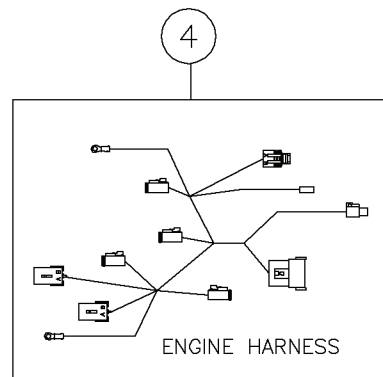
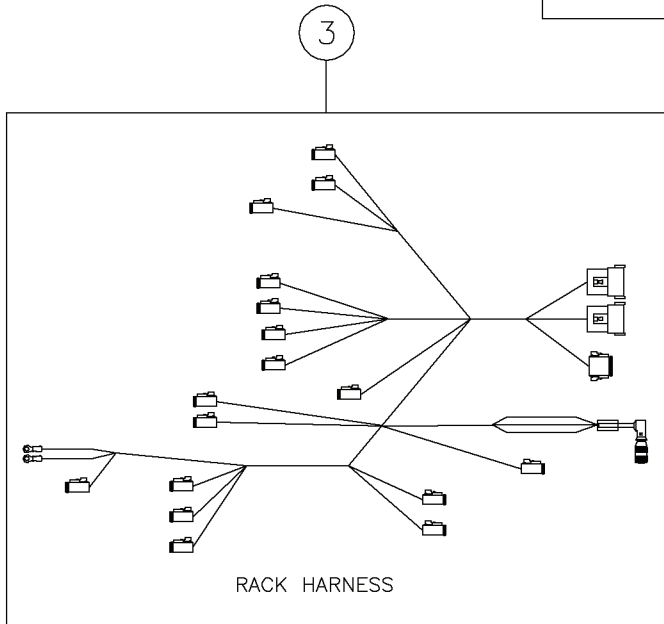
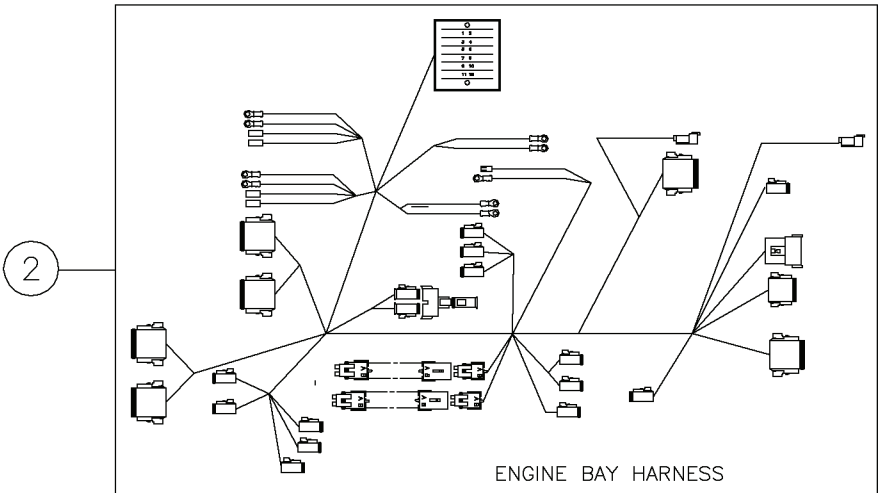
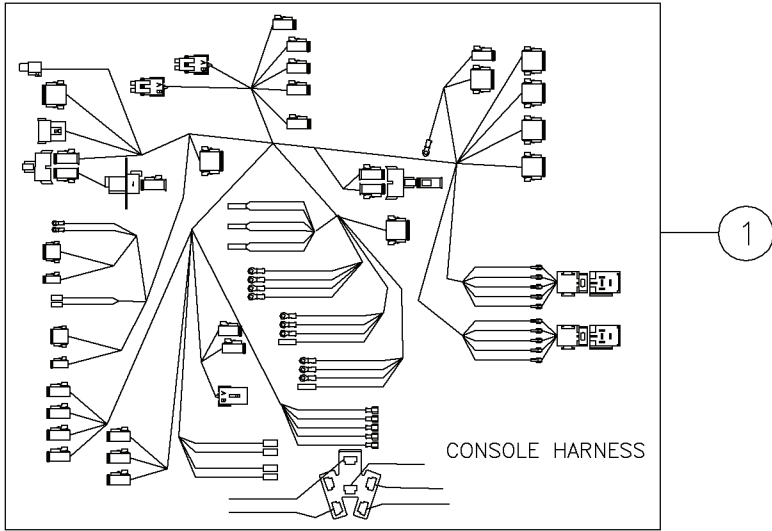
Electrical Harness Assy Fig 6-1r01



## Electrical Harness Assy Fig 6-1r01

REF. NO.	*	PART NO.	DESCRIPTION	QTY.	REMARKS
		Revision Date	February, 2004		Update In Illustration & Parts List.
1		296260356	HARNESS - RACK	1	
2		296260360	HARNESS - ENGINE BAY	1	
3		296260359	HARNESS - RACK	1	
4		296269003	HARNESS - D18X22 ENGINE	1	

Electrical Harness Assy Fig 6-1

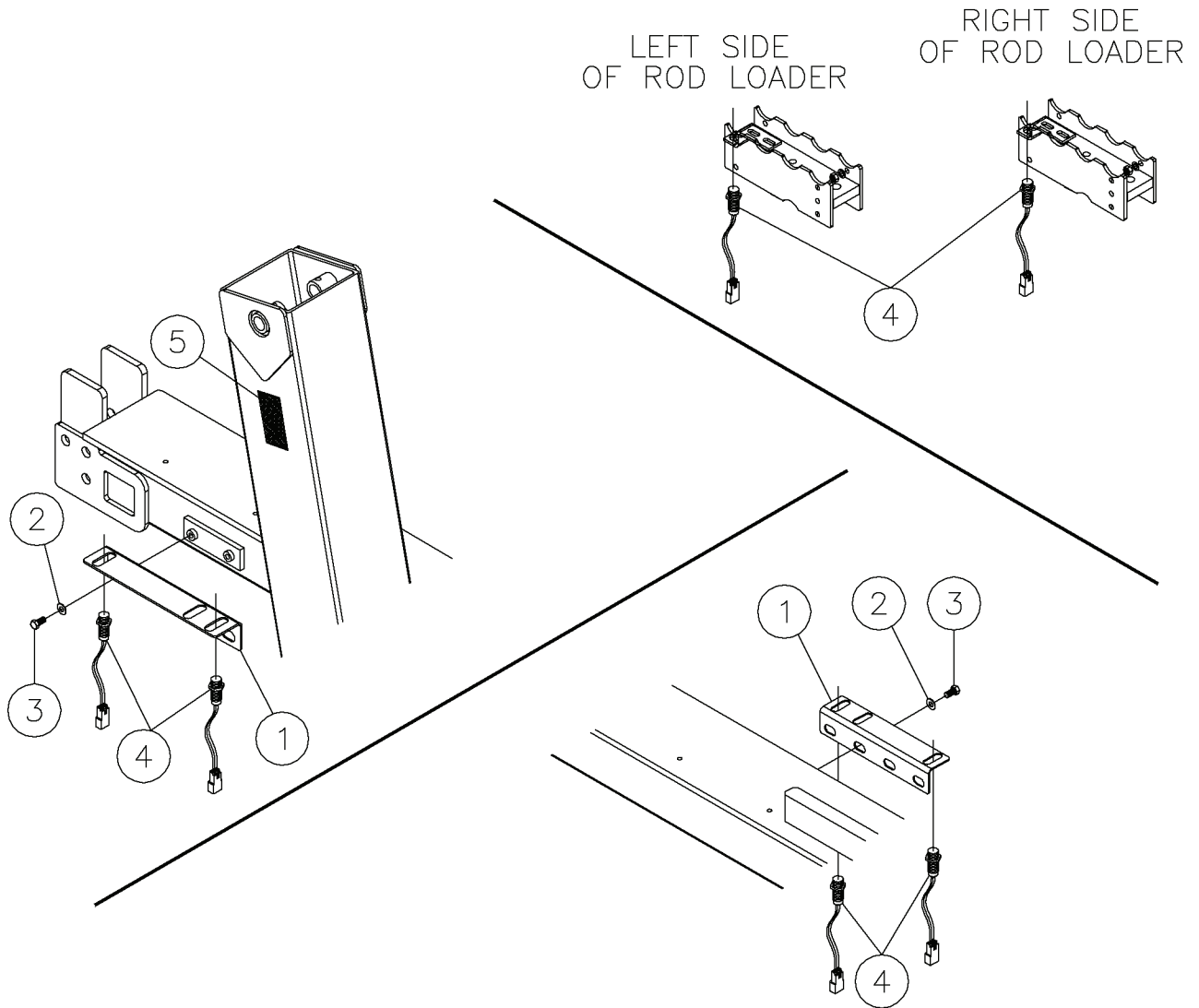




## Electrical Harness Assy Fig 6-1

REF. NO.	*	PART NO.	DESCRIPTION	QTY.	REMARKS
1		296260356	HARNESS - RACK	1	
2		296260360	HARNESS - ENGINE BAY	1	
3		296260359	HARNESS - RACK	1	
4		296269003	HARNESS - D18X22 ENGINE	1	

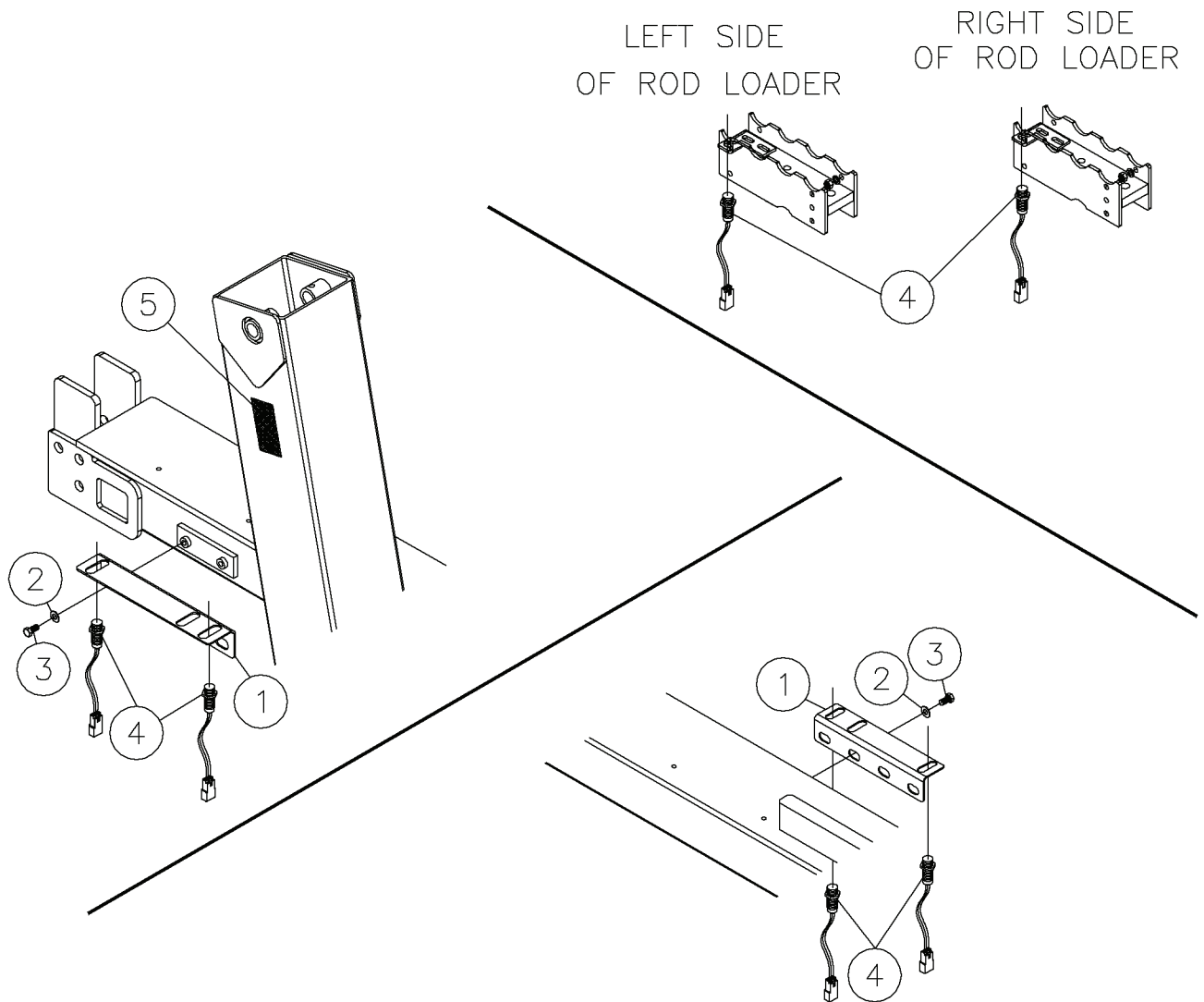
Rack/ Rod Loader Electrical Assy Fig 6-2r03



## Rack/ Rod Loader Electrical Assy Fig 6-2r03

REF. NO.	*	PART NO.	DESCRIPTION	QTY.	REMARKS
		Revision Date	October, 2004		Update In Illustration & Parts List.
1		296260400	PLATE-SLOWDOWN AND STOP MOUNT	2	
2		485009	WASHER-7/16 FLAT	4	
3		276023001	BOLT-7/16-14X3/4 GR8 ZNC PLT	4	
4		296272048	SWITCH - PROXIMITY ASSEMBLY	6	
5		7000B304	DECAL - WARNING	1	
		700IB304	DECAL - WARNING	1	International

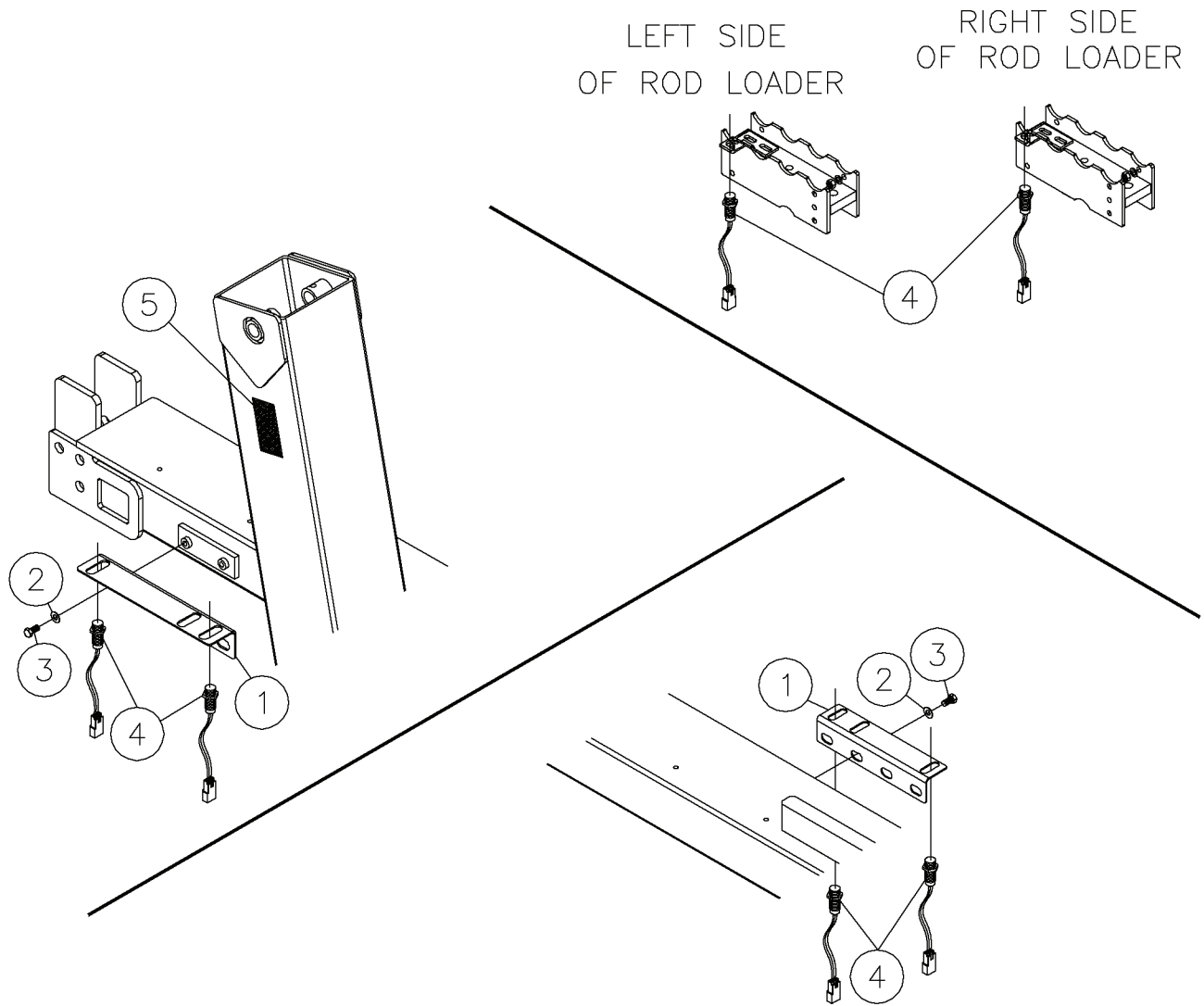
Rack/ Rod Loader Electrical Assy Fig 6-2r02



## Rack/ Rod Loader Electrical Assy Fig 6-2r02

REF. NO.	*	PART NO.	DESCRIPTION	QTY.	REMARKS
		Revision Date	July, 2004		Update In Illustration & Parts List.
1		296260400	PLATE-SLOWDOWN AND STOP MOUNT	2	
2		485009	WASHER-7/16 FLAT	4	
3		276023001	BOLT-7/16-14X3/4 GR8 ZNC PLT	4	
4		296272045	SWITCH - PROXIMITY 18 MM NO	6	
5		7000B304	DECAL - WARNING	1	
		700IB304	DECAL - WARNING	1	International

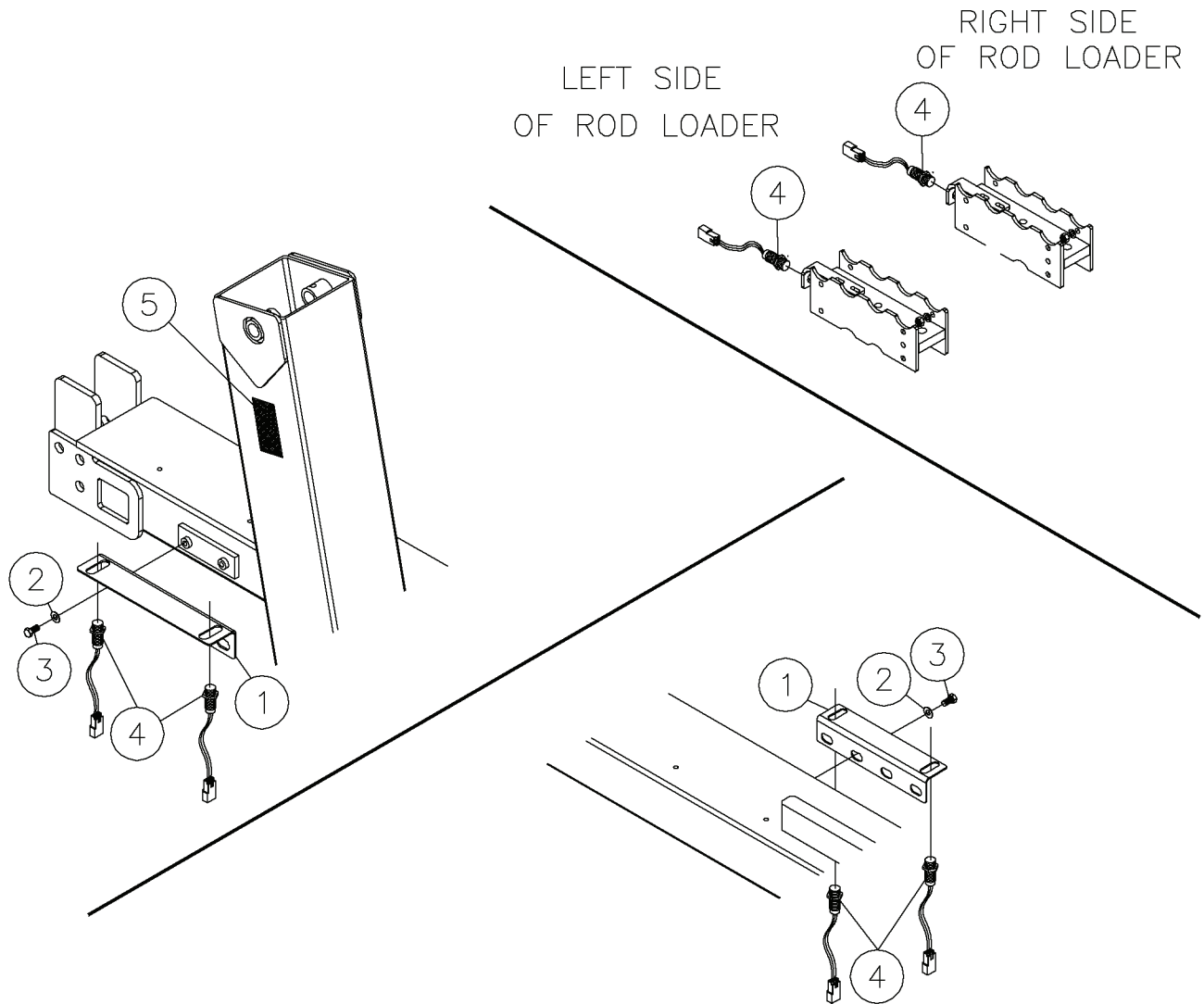
Rack/ Rod Loader Electrical Assy Fig 6-2r01



## Rack/ Rod Loader Electrical Assy Fig 6-2r01

REF. NO.	*	PART NO.	DESCRIPTION	QTY.	REMARKS
		Revision Date	February, 2004		Update In Illustration & Parts List.
1		296260400	PLATE-SLOWDOWN AND STOP MOUNT	2	
2		485009	WASHER-7/16 FLAT	4	
3		276023001	BOLT-7/16-14X3/4 GR8 ZNC PLT	4	
4		276442001	SWITCH - PROXIMITY 18 MM NO	6	
5		7000B304	DECAL - WARNING	1	
		700IB304	DECAL - WARNING	1	International

Rack/ Rod Loader Electrical Assy Fig 6-2

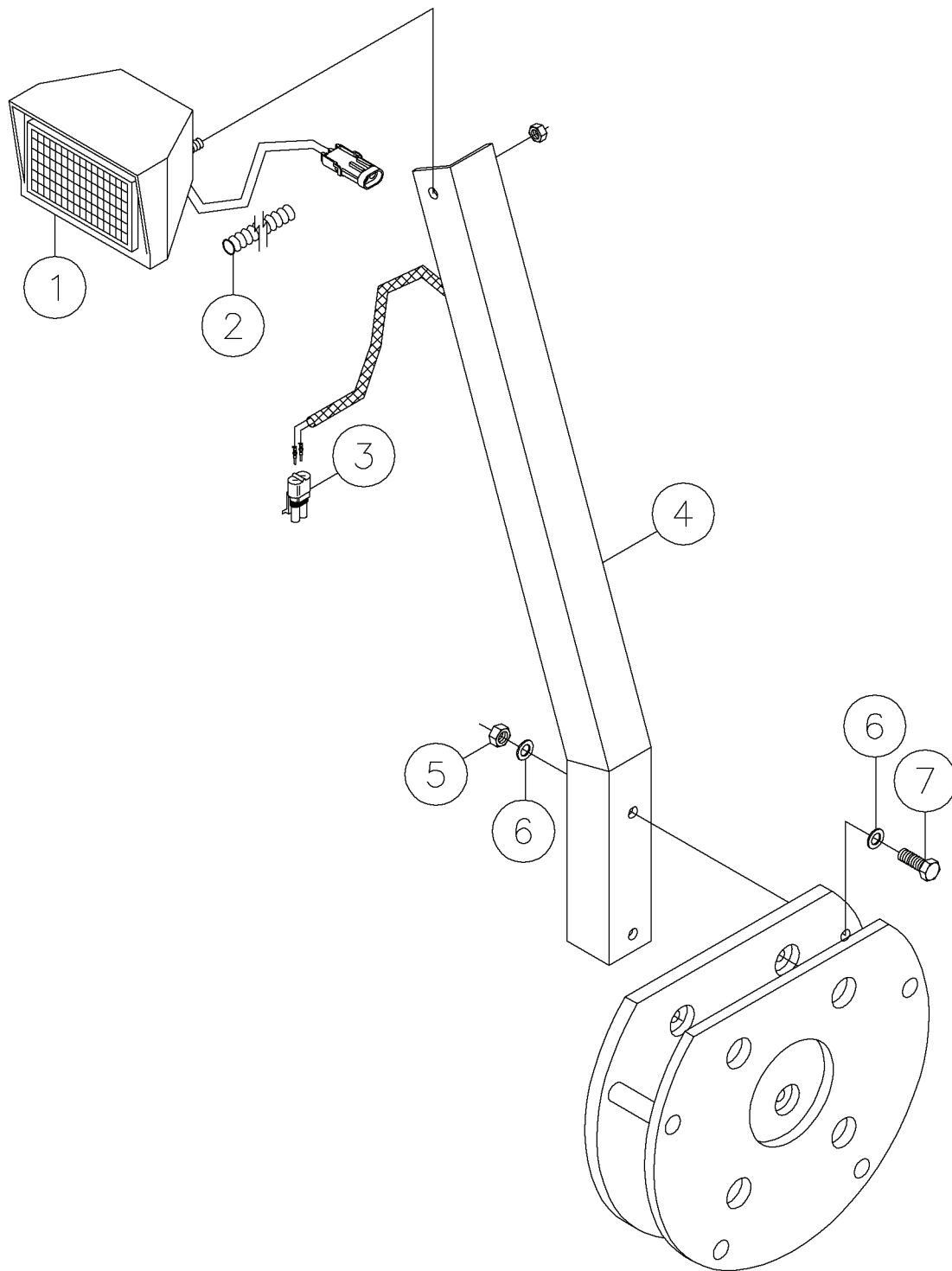




## Rack/ Rod Loader Electrical Assy Fig 6-2

REF. NO.	*	PART NO.	DESCRIPTION	QTY.	REMARKS
1		296260400	PLATE-SLOWDOWN AND STOP MOUNT	2	
2		485009	WASHER-7/16 FLAT	4	
3		276023001	BOLT-7/16-14X3/4 GR8 ZNC PLT	4	
4		276442001	SWITCH - PROXIMITY 18 MM NO	6	
5		7000B304	DECAL - WARNING	1	
		700IB304	DECAL - WARNING	1	International

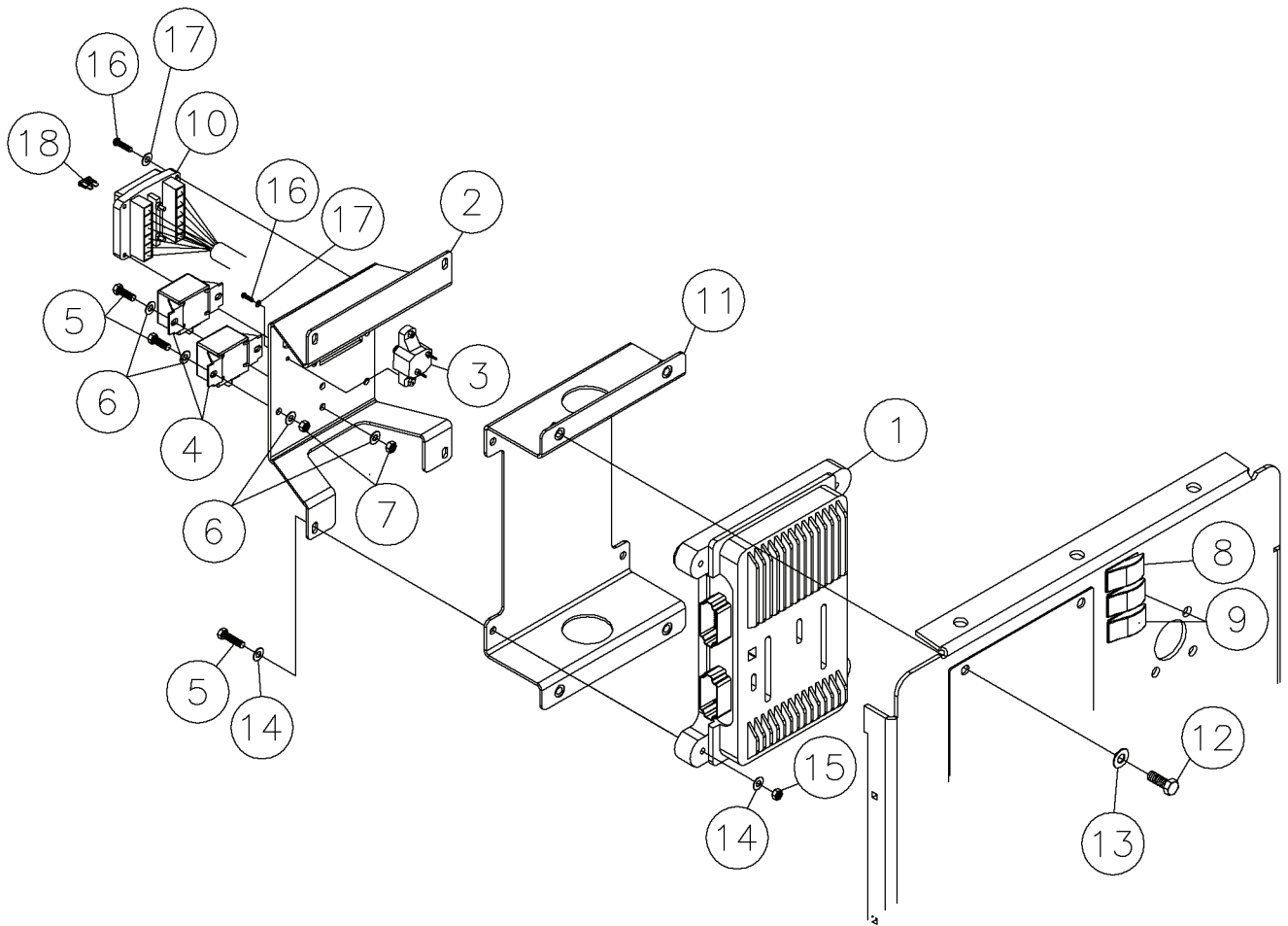
Work Lights Assy Fig 6-3



## Work Lights Assy Fig 6-3

REF. NO.	*	PART NO.	DESCRIPTION	QTY.	REMARKS
1		245006001	ASSEMBLY-3X5 FLOOD LIGHT	1	
2		86318001	LOOM-FLEX GARD HI TEMP 1/4 ID	A/R	P/N Qty. Of 1 = 1 Foot
3		91349001	TOWER 2 WAY	1	
4		250301001	SUPPORT-LIGHT	1	
5		235725001	NUT - HEX - .38 - 16 - GR8 - YZ	2	
6		235713001	WASHER - FLATSTRL - .38 - .41 X .81 - .06-YA-A325	2	
7		235736001	BOLT-3/8-16X1 1/4 ZINC PLTD	2	

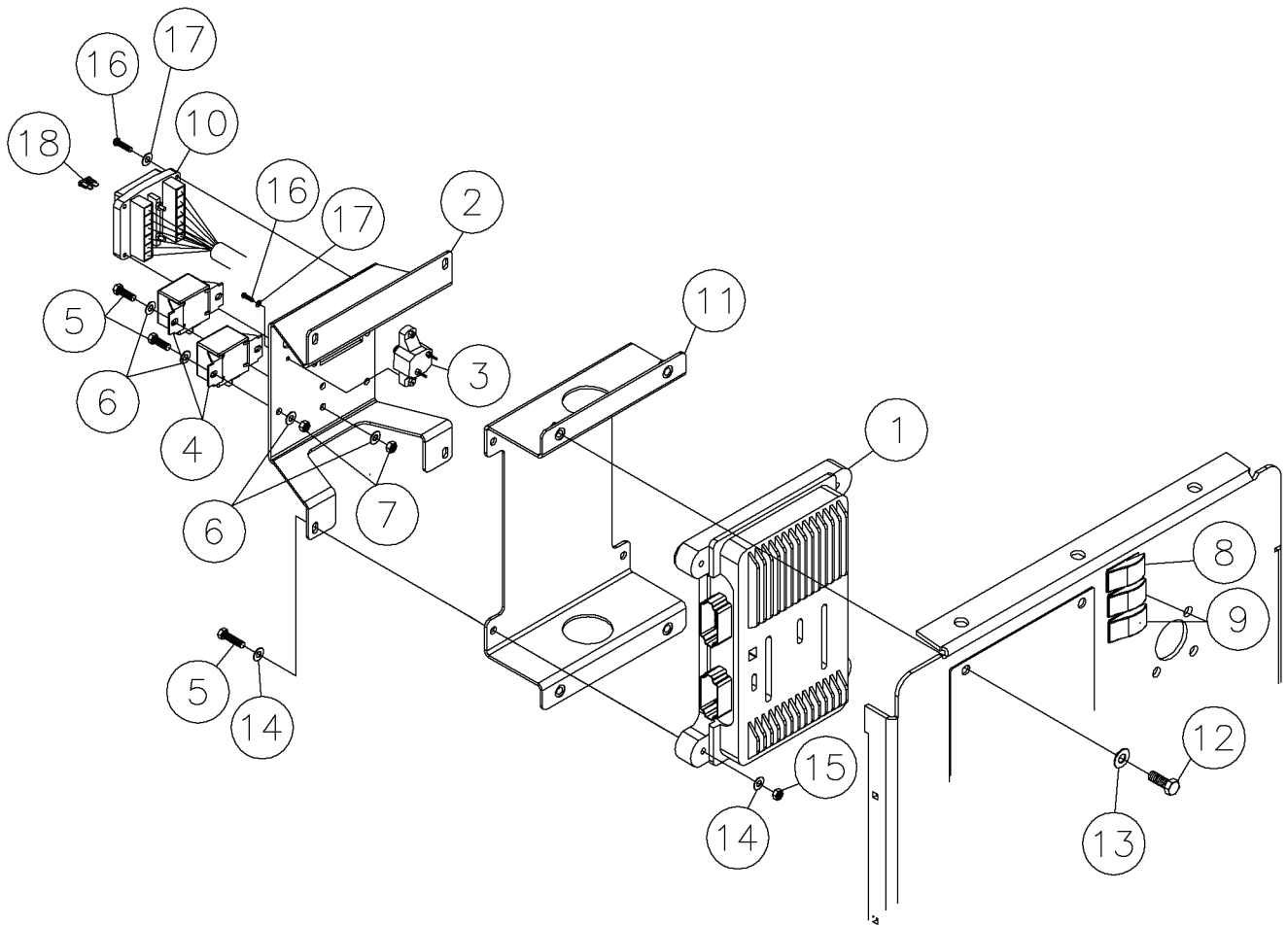
Front Shield Electrical Assy Fig 6-4r02



## Front Shield Electrical Assy Fig 6-4r02

REF. NO.	*	PART NO.	DESCRIPTION	QTY.	REMARKS
		Revision Date	May, 2005		Update In Parts List.
1		296272626	D18X22 ENGINE VERMEER REMOTE LOCKOUT	1	
2		296269286	PANEL - GAUGE	1	
3		282532001	CIRCUIT BREAKER - 60 AMP	1	
4		86217001	RELAY-BOSCH SPST 75 AMP SEALED	2	
5		235734001	BOLT-1/4-20X3/4 GR8 ZINC PLTD	8	
6		235716001	WASHER - FLATSTRL - .25 - .28 X .63 - .06 - CZ	4	
7		235732001	NUT - HEX - .25 - 20 - GR8 - YZ	4	
8		257205001	SWITCH-SP 2 POSITION BRAKE	1	
9		257541001	SWITCH-SPDT 3 POSITION MOM	2	
10		296280330	HARNESS - ENGINE BAY	1	
11		296266680	WELDMENT - ELECTRICAL MOUNT	1	
12		235727001	BOLT-3/8-16X1 GR8 HEX ZINC PLT	4	
13		235713001	WASHER - FLATSTRL - .38 - .41 X .81 - .06-YA-A325	4	
14		510337603	WASHER-FLATSTD-.25-.31X.75-.07-YZ	8	
15		248198001	NUT-1/4 - 20 GR8 TOP LOCK ZINC	4	
16		10530006	SCREW-#8-32X3/4 SLOT RD.HD.	6	
17		224769001	WASHER-#8 FLAT	6	
18		224743001	FUSE-5 AMP 257005	2	
		122730001	FUSE-10 AMP 257010	3	
		225713119	FUSE-15 AMP	1	

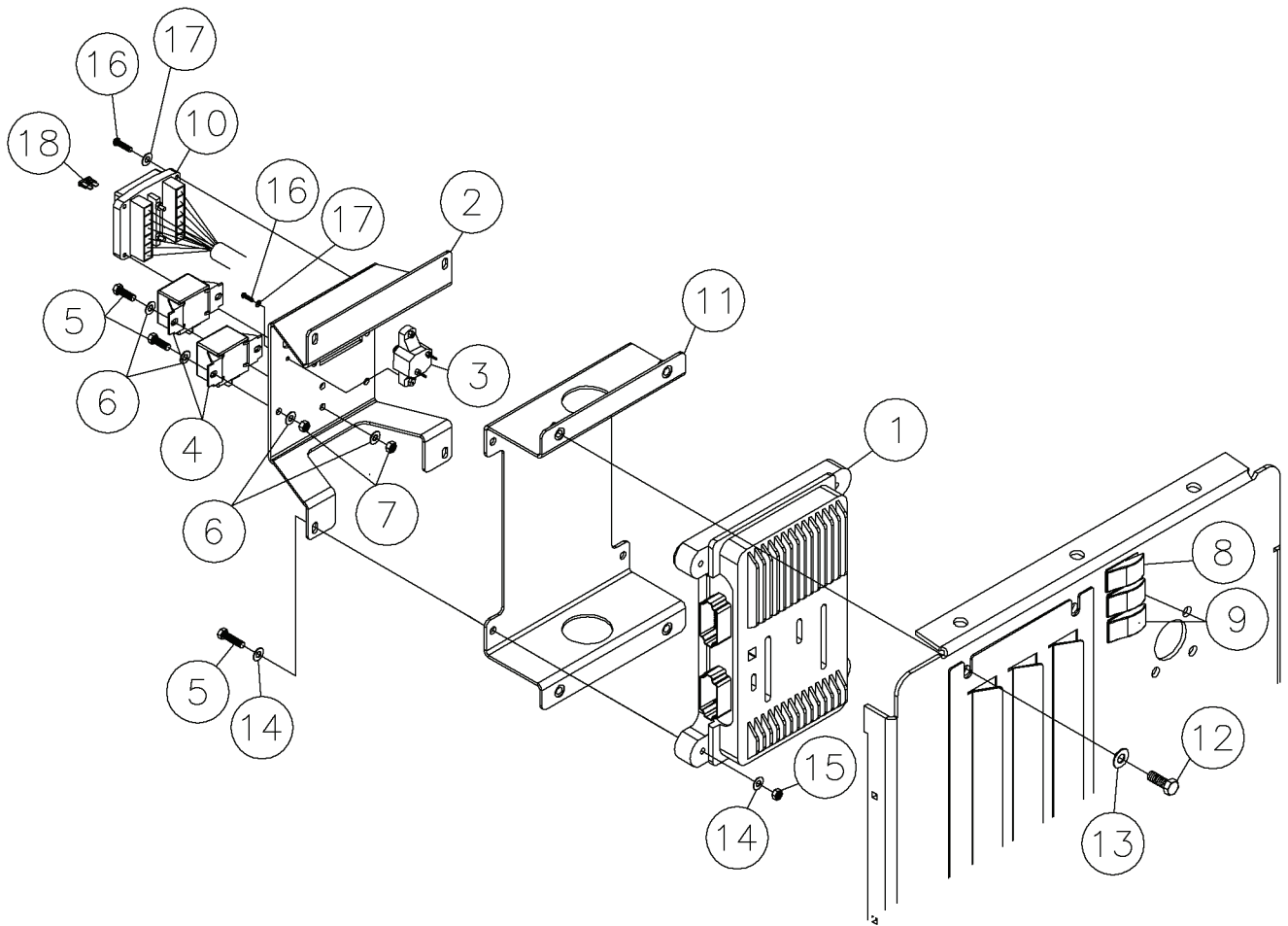
Front Shield Electrical Assy Fig 6-4r01



## Front Shield Electrical Assy Fig 6-4r01

REF. NO.	*	PART NO.	DESCRIPTION	QTY.	REMARKS
		Revision Date	February, 2004		Update In Illustration & Parts List.
1		296268629	CONTROLLER - CONSOLE	1	
2		296269286	PANEL - GAUGE	1	
3		282532001	CIRCUIT BREAKER - 60 AMP	1	
4		86217001	RELAY-BOSCH SPST 75 AMP SEALED	2	
5		235734001	BOLT-1/4-20X3/4 GR8 ZINC PLTD	8	
6		235716001	WASHER - FLATSTRL - .25 - .28 X .63 - .06 - CZ	4	
7		235732001	NUT - HEX - .25 - 20 - GR8 - YZ	4	
8		257205001	SWITCH-SP 2 POSITION BRAKE	1	
9		257541001	SWITCH-SPDT 3 POSITION MOM	2	
10		296260360	HARNESS - ENGINE BAY	1	
11		296266680	WELDMENT - ELECTRICAL MOUNT	1	
12		235727001	BOLT-3/8-16X1 GR8 HEX ZINC PLT	4	
13		235713001	WASHER - FLATSTRL - .38 - .41 X .81 - .06-YA-A325	4	
14		510337603	WASHER-FLATSTD-.25-.31X.75-.07-YZ	8	
15		248198001	NUT-1/4 - 20 GR8 TOP LOCK ZINC	4	
16		10530006	SCREW-#8-32X3/4 SLOT RD.HD.	6	
17		224769001	WASHER-#8 FLAT	6	
18		224743001	FUSE-5 AMP 257005	2	
		122730001	FUSE-10 AMP 257010	3	
		225713119	FUSE-15 AMP	1	

Front Shield Electrical Assy Fig 6-4

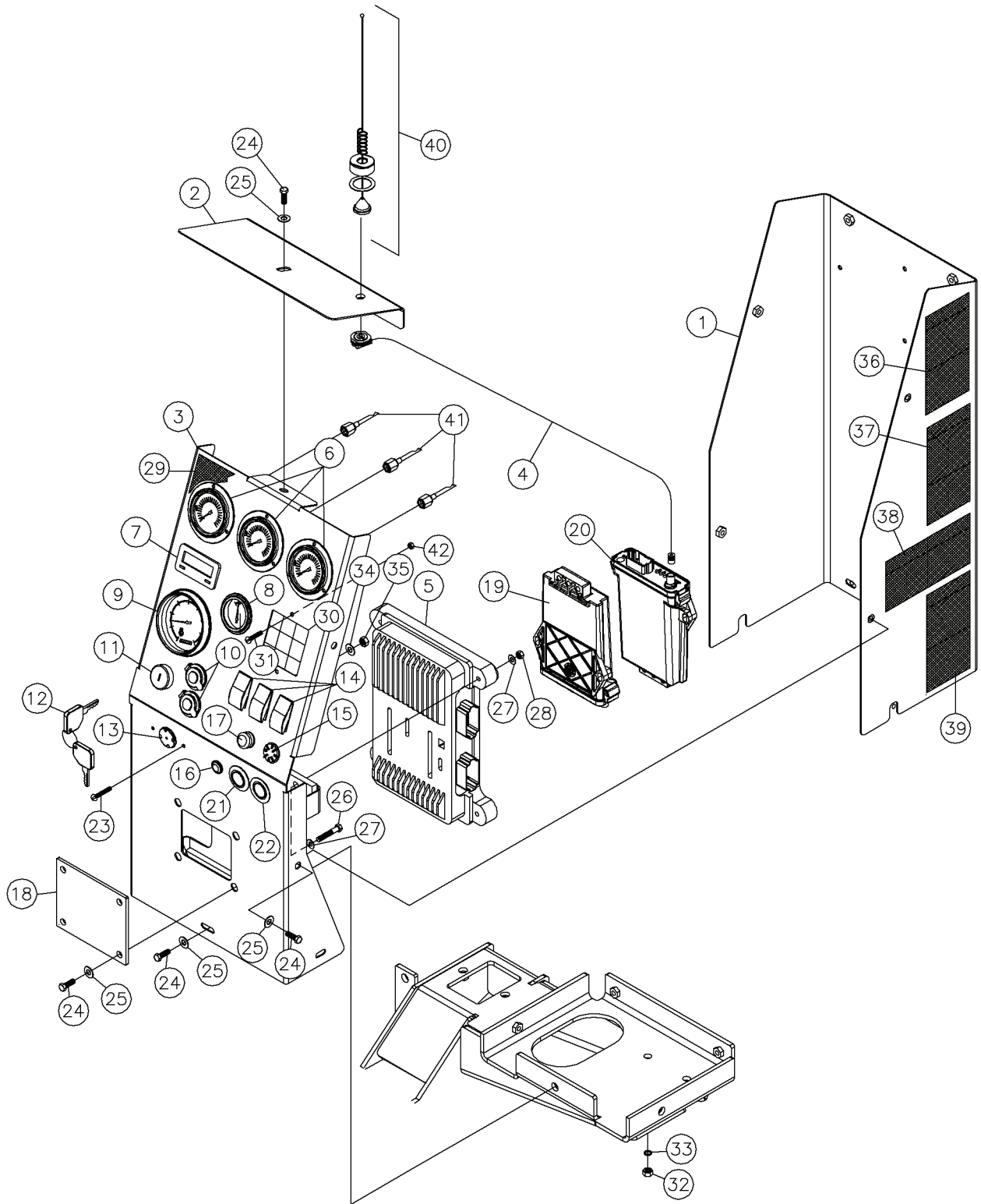




## Front Shield Electrical Assy Fig 6-4

REF. NO.	*	PART NO.	DESCRIPTION	QTY.	REMARKS
1		296268629	CONTROLLER - CONSOLE	1	
2		296269286	PANEL - GAUGE	1	
3		282532001	CIRCUIT BREAKER - 60 AMP	1	
4		86217001	RELAY-BOSCH SPST 75 AMP SEALED	2	
5		235734001	BOLT-1/4-20X3/4 GR8 ZINC PLTD	8	
6		235716001	WASHER - FLATSTRL - .25 - .28 X .63 - .06 - CZ	4	
7		235732001	NUT - HEX - .25 - 20 - GR8 - YZ	4	
8		257205001	SWITCH-SP 2 POSITION BRAKE	1	
9		257541001	SWITCH-SPDT 3 POSITION MOM	2	
10		296260360	HARNESS - ENGINE BAY	1	
11		296266680	WELDMENT - ELECTRICAL MOUNT	1	
12		235727001	BOLT-3/8-16X1 GR8 HEX ZINC PLT	4	
13		235713001	WASHER - FLATSTRL - .38 - .41 X .81 - .06-YA-A325	4	
14		510337603	WASHER-FLATSTD-.25-.31X.75-.07-YZ	8	
15		248198001	NUT-1/4 - 20 GR8 TOP LOCK ZINC	4	
16		10530006	SCREW-#8-32X3/4 SLOT RD.HD.	6	
17		224769001	WASHER-#8 FLAT	6	
18		22474001	FUSE-5 AMP 257005	2	
		12273001	FUSE-10 AMP 257010	3	
		225713001	FUSE-15 AMP	1	

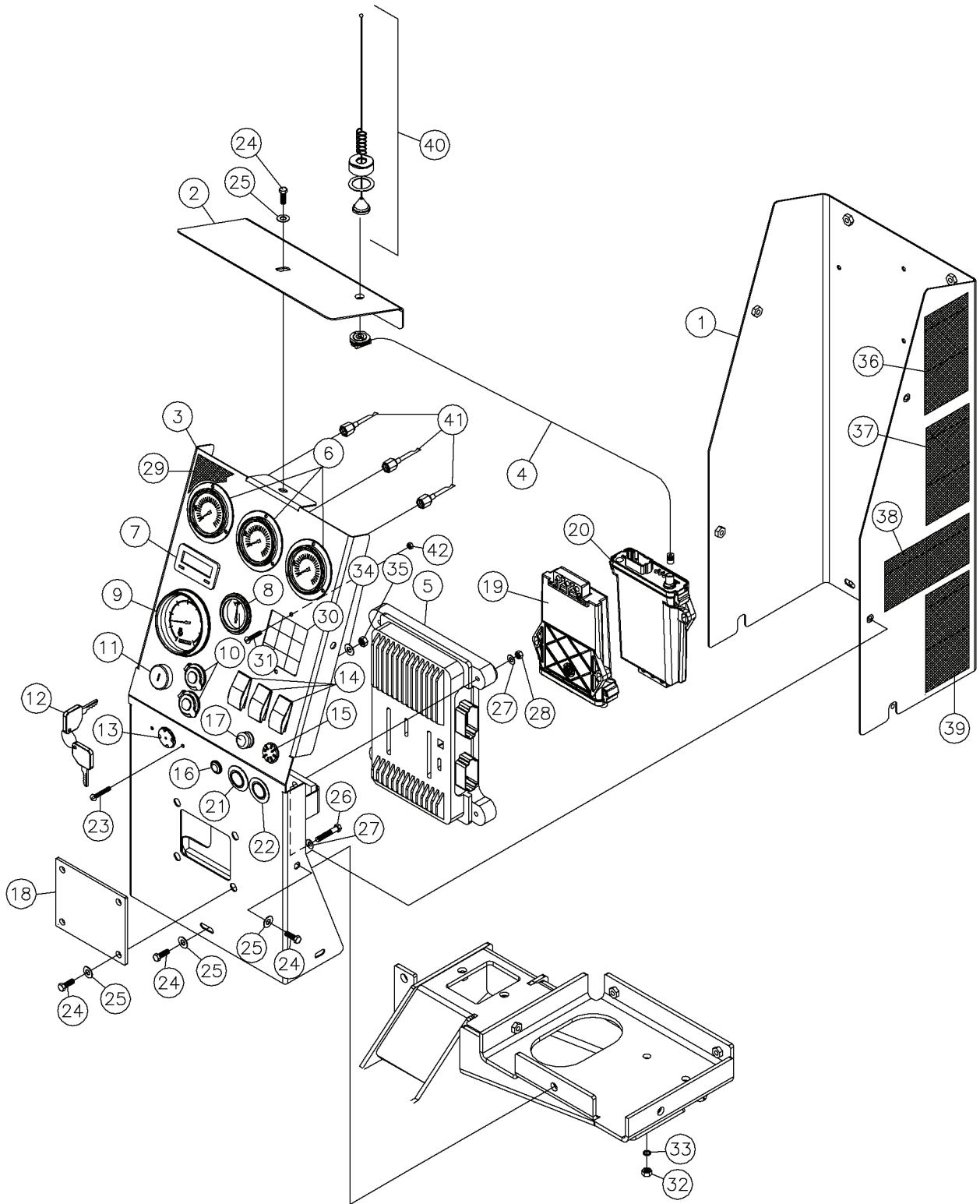
Control Panel Electrical Assy Fig 6-5r03



## Control Panel Electrical Assy Fig 6-5r03

REF. NO.	*	PART NO.	DESCRIPTION	QTY.	REMARKS
		Revision Date	May, 2005		Update In Illustration & Parts List.
1		296280334	SHROUD - FRONT CONSOLE	1	
2		296280326	PLATE - TOP CONSOLE	1	
3		296280336	SHROUD - CONSOLE GAUGE	1	
4		296272607	MOUNT-ANTENNA MOTOROLA TYPE RG-58-4'	1	
5		296272617	D18X22 CONSOLE G1 TOP ASM	1	
6		289709001	GAUGE - SPAN 5000 PSI WITH BACKLITE	3	
		70889001	BULB. #112-1418	3	
7		296260406	DISPLAY - FLOW	1	
8		180006555	GAUGE-FUEL MAXIMA	1	
		70889001	BULB. #112-1418	1	
9		98933001	GAUGE-TACHOMETER O-3000 RPM	1	
		70889001	BULB. #112-1418	1	
10		154677001	OUTLET - 12 VOLT	2	
11		285597001	SWITCH - IGNITION	1	
12		285597002	KEYS - IGNITION SWITCH (MATCHED PAIR)	1	
13		285617001	HORN - ZAP ALERT 2 PIN DEUTCSH	1	
14		257205001	SWITCH-SP 2 POSITION	3	
15		286920001	REMOTE LOCKOUT BUZZER	1	
16		296275581	LIGHT - REMOTE LOCKOUT-GREEN	1	
17		260766001	SWITCH-MOM BUTTON NO	1	
18		296270783	SHIELD - CONTROLLER	1	
19		296270163	ASM, STRIKEALERT BLANK	1	
20		296272506	B309LK2, CAN DOM	1	
21		296280273	SWITCH - PUSH BUTTON STRIKE ALERT TEST	1	
22		296280268	SWITCH-PUSH BUTTON STRK ALERT ALARM OFF	1	
23		905001001	BOLT-8-32 X 2 STOVE	2	
24		235742001	BOLT-5/16-18X3/4 GR8 ZINC PLTD	12	
25		235714001	WASHER - FLATSTRL - .31 - .34 X .69 - .06-YZ-A325	12	
26		238210001	BOLT - 1/4-20X1 1/2 GR8 HEX ZYC	4	
27		235716001	WASHER - FLATSTRL - .25 -.28 X .63 - .06 - CZ	8	
			Continued On Next Page		

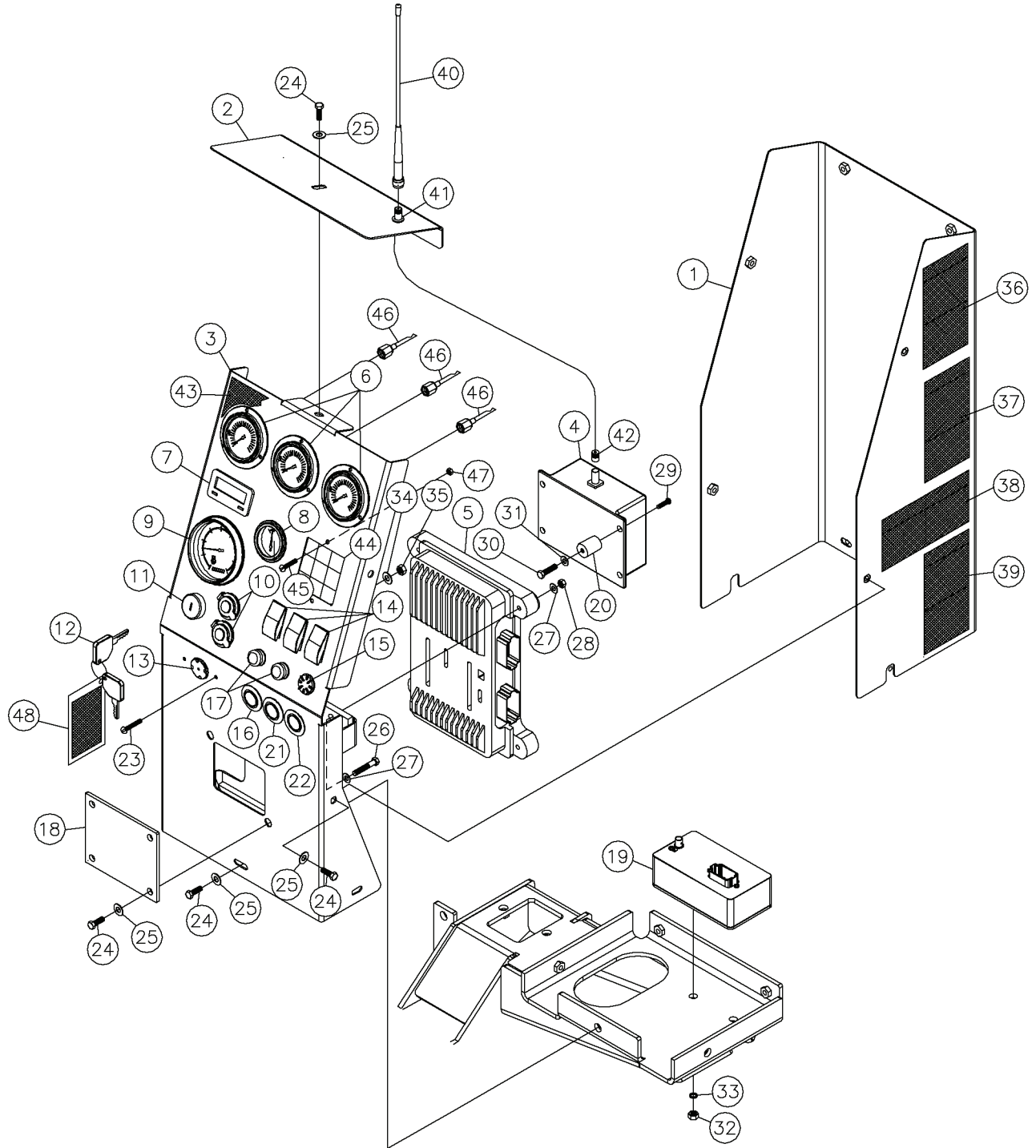
Control Panel Electrical Assy (continued) Fig 6-5r03



## Control Panel Electrical Assy (continued) Fig 6-5r03

REF. NO.	*	PART NO.	DESCRIPTION	QTY.	REMARKS
		Revision Date	May, 2005		Update In Illustration & Parts List.
28		235732001	NUT - HEX - .25 - 20 - GR8 - YZ	4	
29		700IC563	DECAL - CONTROL PANEL	1	
30		296266661	DISPLAY - INDICATOR LIGHT	1	
31		10530006	SCREW-#8-32X3/4 SLOT RD.HD.	2	
32		406001	NUT-5/16 NC HEX	2	
33		485005	WASHER-5/16 FLAT	2	
34		904995001	WASHER-8 INTERNAL STAR	2	
35		399001	NUT-8-32 HEX	2	
36		7000A393	DECAL - DANGER	1	
		700IA393	DECAL - DANGER	1	
37		7000A394	DECAL - WARNING	1	
		700IA394	DECAL - WARNING	1	
38		7000A576	DECAL-DANGER	1	
		700IA576	DECAL-DANGER	1	
39		7000B811	DECAL - DANGER - RLE - DOMESTIC	1	
		700IB811	DECAL - DANGER - RLE INTERNATIONAL	1	
40		296272364	ANTENNA -915 MHZ, 3 dBI, 1/4 WAVE	1	
41		296260492	MICRO HOSE - .078 X 160 4FSJIC 6900PSI	3	
42		69759001	LOCK NUT-#8-32 NYLON INSERT PL	2	

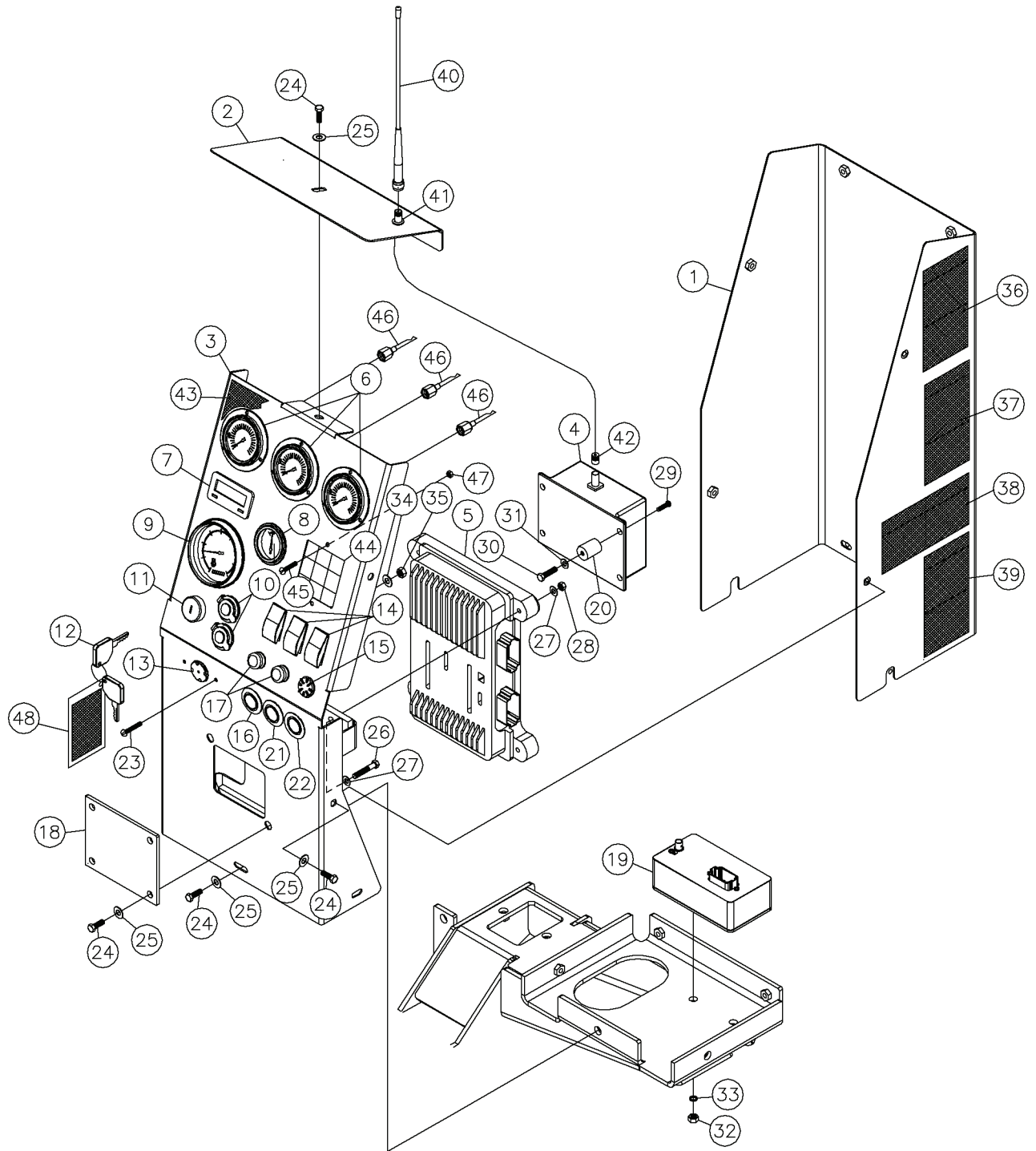
Control Panel Electrical Assy Fig 6-5r02



## Control Panel Electrical Assy Fig 6-5r02

REF. NO.	*	PART NO.	DESCRIPTION	QTY.	REMARKS
		Revision Date	July, 2004		Update In Illustration & Parts List.
1		296266641	SHROUD - FRONT CONSOLE	1	
2		296266636	PLATE - TOP CONSOLE	1	
3		296266642	SHROUD - CONSOLE GAUGE	1	
4		296250303	REMOTE LOCKOUT RADIO KIT 434 MHZ	1	
5		296268629	ASM-MRC D18X22 CONSOLE CONTROLLER	1	
6		289709001	GAUGE - SPAN 5000 PSI WITH BACKLITE	3	
		70889001	BULB. #112-1418	3	
7		296260406	DISPLAY - FLOW	1	
8		201786001	GAUGE-FUEL DATCON 810EM	1	
		70889001	BULB. #112-1418	1	
9		98933001	GAUGE-TACHOMETER O-3000 RPM	1	
		70889001	BULB. #112-1418	1	
10		154677001	OUTLET - 12 VOLT	2	
11		285597001	SWITCH - IGNITION	1	
12		285597002	KEYS - IGNITION SWITCH (MATCHED PAIR)	1	
13		285617001	HORN - ZAP ALERT 2 PIN DEUTCSH	1	
14		257205001	SWITCH-SP 2 POSITION	3	
15		286920001	REMOTE LOCKOUT BUZZER	1	
16		277696001	SWITCH - PUSH BUTTON ZAP ALERT VOLTAGE TEST	1	
17		260766001	SWITCH-MOM BUTTON NO	2	
18		296270783	SHIELD - CONTROLLER	1	
19		281523001	ZAP ALERT - CURRENT SENSE	1	
20		296252528	MOUNT, SHOCK RX M6X10	4	
21		277697001	SWITCH - PUSH BUTTON ZAP ALERT CURRENT TEST	1	
22		277695001	SWITCH - PUSH BUTTON ZAP ALERT RESET	1	
23		905001001	BOLT-8-32 X 2 STOVE	2	
24		235742001	BOLT-5/16-18X3/4 GR8 ZINC PLTD	12	
25		235714001	WASHER - FLATSTRL - .31 - .34 X .69 - .06-YZ-A325	12	
26		238210001	BOLT - 1/4-20X1 1/2 GR8 HEX ZYC	4	
27		235716001	WASHER - FLATSTRL - .25 -.28 X .63 - .06 - CZ	8	
			Continued On Next Page		

Control Panel Electrical Assy (continued) Fig 6-5r02

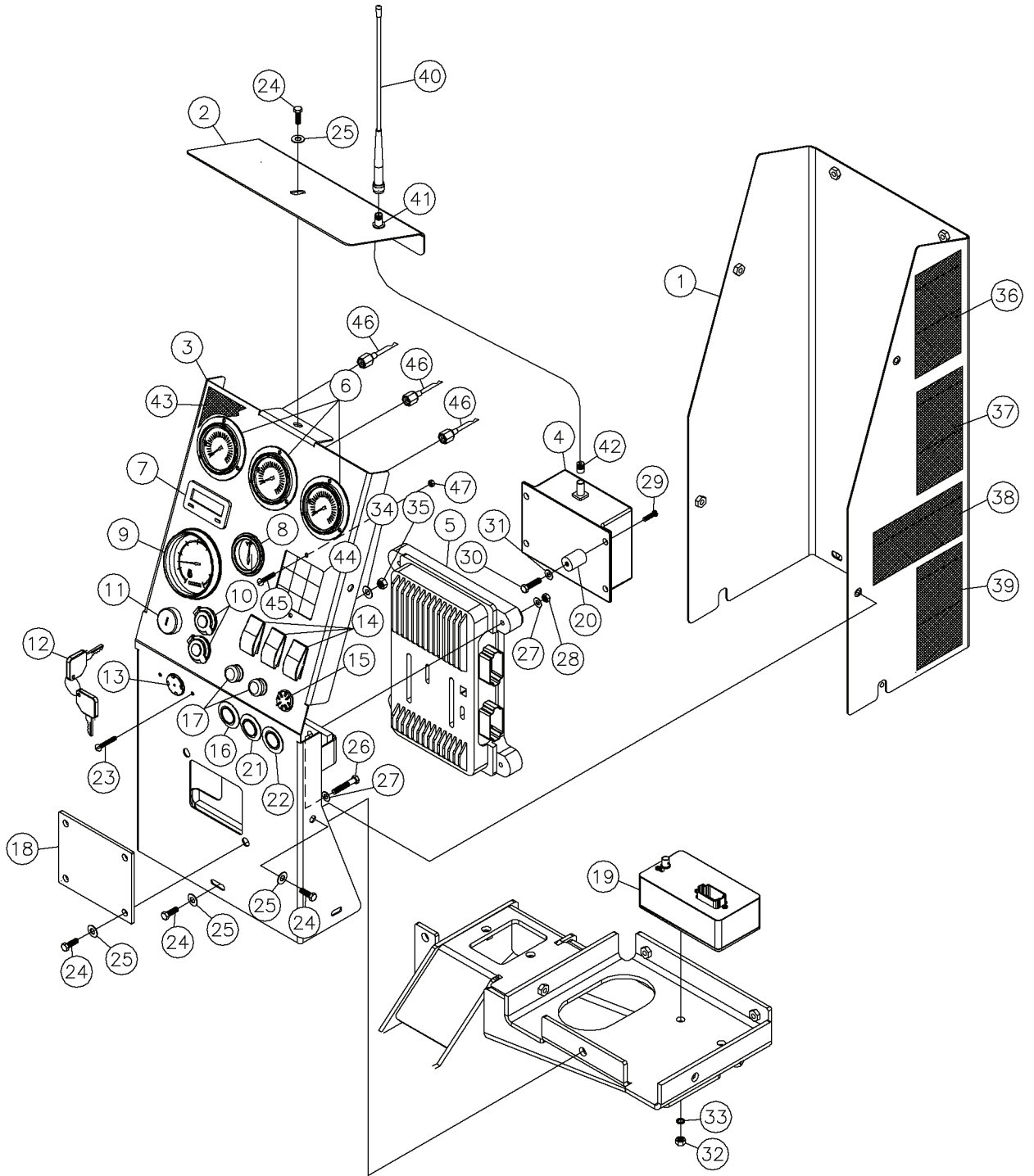




## Control Panel Electrical Assy (continued) Fig 6-5r02

REF. NO.	*	PART NO.	DESCRIPTION	QTY.	REMARKS
		Revision Date	July, 2004		Update In Illustration & Parts List.
28		235732001	NUT - HEX - .25 - 20 - GR8 - YZ	4	
29		506031010	SCREW-HCS,M6-1.00X10,8.8,YZ,D933,FT	4	
30		506031008	SCREW-HCS,M6-1.00X8,8.8,YZ,D933,FT	4	
31		252251001	WASHER-1/4 SAE FLAT ZP	4	
32		406001	NUT-5/16 NC HEX	2	
33		485005	WASHER-5/16 FLAT	2	
34		904995001	WASHER-8 INTERNAL STAR	2	
35		399001	NUT-8-32 HEX	2	
36		7000A393	DECAL - DANGER	1	
		700IA393	DECAL - DANGER	1	
37		7000A394	DECAL - WARNING	1	
		700IA394	DECAL - WARNING	1	
38		7000A576	DECAL-DANGER	1	
		700IA576	DECAL-DANGER	1	
39		7000B811	DECAL - DANGER - RLE - DOMESTIC	1	
		700IB811	DECAL - DANGER - RLE INTERNATIONAL	1	
40		286918001	REMOTE LOCKOUT ANTENNA	1	
41		296250301	CONNECTOR BULK HEAD	1	
42		296252952	WIRE REMOTE LOCKOUT ANTENNA .5 METER	1	
43		700IB964	DECAL - CONTROL PANEL	1	
44		296266661	DISPLAY - INDICATOR LIGHT	1	
45		10530006	SCREW-#8-32X3/4 SLOT RD.HD.	2	
46		296260492	MICRO HOSE - .078 X 160 4FSJIC 6900PSI	3	
47		69759001	LOCK NUT-#8-32 NYLON INSERT PL	2	
48		296264000	REMOTE ENGINE/HYDRAULIC LOCKOUT CARD	1	

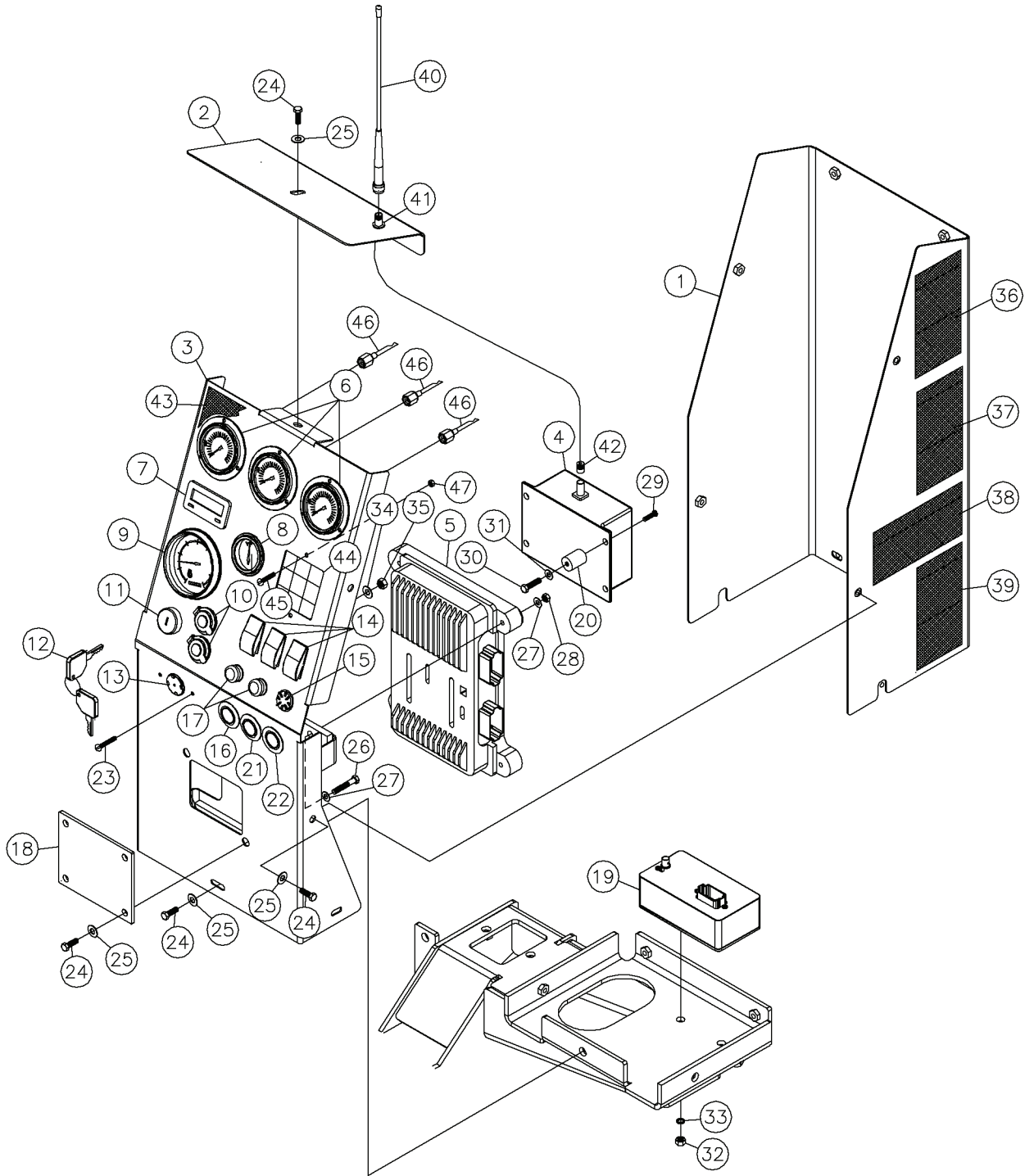
Control Panel Electrical Assy Fig 6-5r01



## Control Panel Electrical Assy Fig 6-5r01

REF. NO.	*	PART NO.	DESCRIPTION	QTY.	REMARKS
		Revision Date	February, 2004		Update In Illustration & Parts List.
1		296266641	SHROUD - FRONT CONSOLE	1	
2		296266636	PLATE - TOP CONSOLE	1	
3		296266642	SHROUD - CONSOLE GAUGE	1	
4		296250303	REMOTE LOCKOUT RADIO KIT 434 MHZ	1	
5		296268629	CONTROLLER - CONSOLE	1	
6		289709001	GAUGE - SPAN 5000 PSI WITH BACKLITE	3	
		70889001	BULB. #112-1418	3	
7		296260406	DISPLAY - FLOW	1	
8		201786001	GAUGE-FUEL DATCON 810EM	1	
		70889001	BULB. #112-1418	1	
9		98933001	GAUGE-TACHOMETER O-3000 RPM	1	
		70889001	BULB. #112-1418	1	
10		154677001	OUTLET - 12 VOLT	2	
11		285597001	SWITCH - IGNITION	1	
12		285597002	KEYS - IGNITION SWITCH (MATCHED PAIR)	1	
13		285617001	BUZZER	1	
14		257205001	SWITCH-SP 2 POSITION BRAKE	3	
15		286920001	REMOTE LOCKOUT BUZZER	1	
16		277696001	SWITCH - PUSH BUTTON ZAP ALERT VOLTAGE TEST	1	
17		260766001	SWITCH-MOM BUTTON NO	2	
18		296270783	SHIELD - CONTROLLER	1	
19		281523001	ZAP ALERT - CURRENT SENSE	1	
20		296252528	MOUNT, SHOCK RX M6X10	4	
21		277697001	SWITCH - PUSH BUTTON ZAP ALERT CURRENT TEST	1	
22		277695001	SWITCH - PUSH BUTTON ZAP ALERT RESET	1	
23		905001001	BOLT-8-32 X 2 STOVE	2	
24		235742001	BOLT-5/16-18X3/4 GR8 ZINC PLTD	12	
25		235714001	WASHER - FLATSTRL - .31 - .34 X .69 - .06-YZ-A325	12	
26		238210001	BOLT - 1/4-20X1 1/2 GR8 HEX ZYC	4	
27		235716001	WASHER - FLATSTRL - .25 -.28 X .63 - .06 - CZ	8	
			Continued On Next Page		

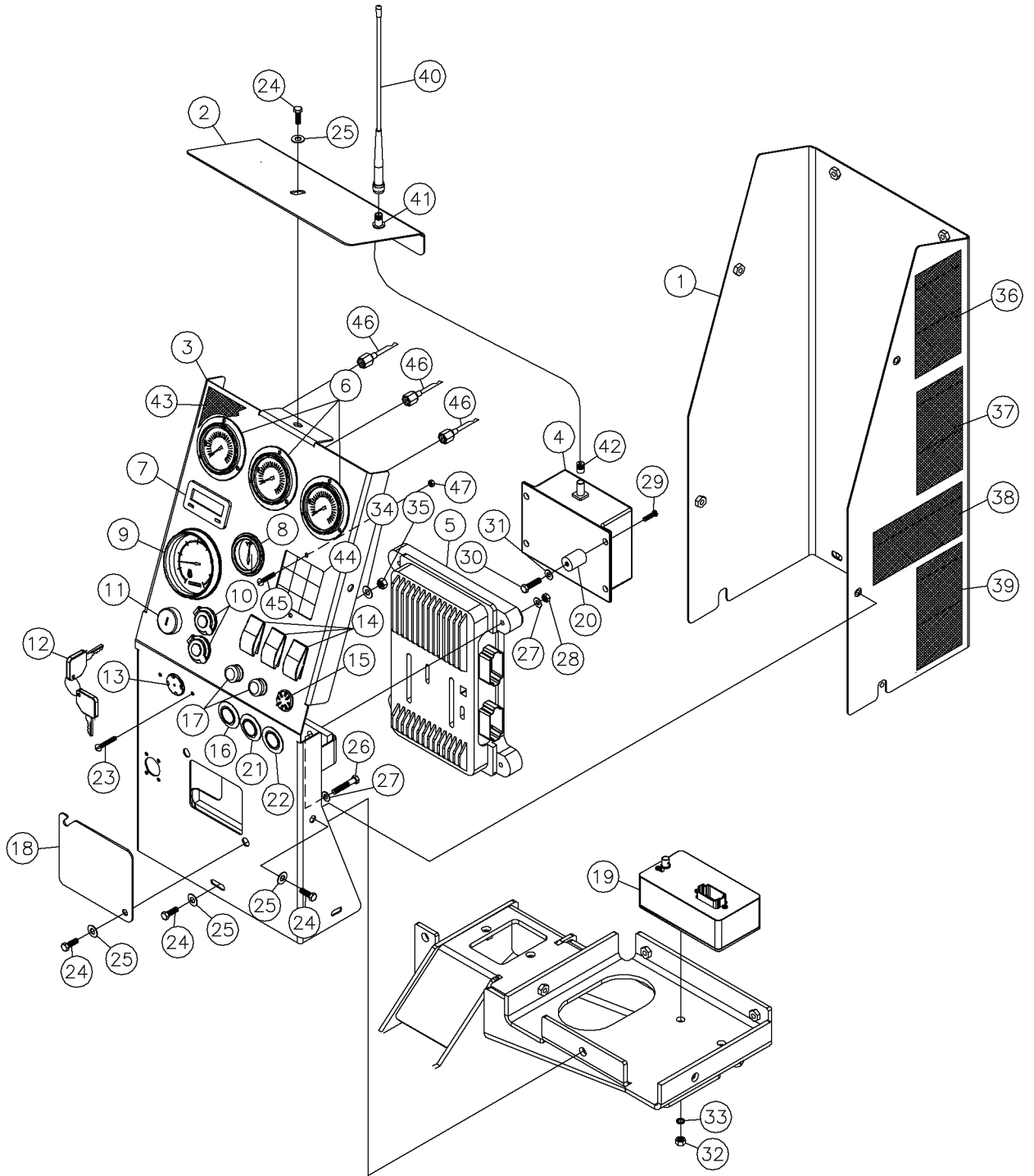
Control Panel Electrical Assy (continued) Fig 6-5r01



## Control Panel Electrical Assy (continued) Fig 6-5r01

REF. NO.	*	PART NO.	DESCRIPTION	QTY.	REMARKS
28		235732001	NUT - HEX - .25 - 20 - GR8 - YZ	4	
29		506031010	SCREW-HCS,M6-1.00X10,8.8,YZ,D933,FT	4	
30		506031008	SCREW-HCS,M6-1.00X8,8.8,YZ,D933,FT	4	
31		252251001	WASHER-1/4 SAE FLAT ZP	4	
32		406001	NUT-5/16 NC HEX	2	
33		485005	WASHER-5/16 FLAT	2	
34		904995001	WASHER-8 INTERNAL STAR	2	
35		399001	NUT-8-32 HEX	2	
36		7000A393	DECAL - DANGER	1	
		700IA393	DECAL - DANGER	1	
37		7000A394	DECAL - WARNING	1	
		700IA394	DECAL - WARNING	1	
38		7000A576	DECAL-DANGER	1	
		700IA576	DECAL-DANGER	1	
39		7000B811	DECAL - DANGER - RLE - DOMESTIC	1	
		700IB811	DECAL - DANGER - RLE INTERNATIONAL	1	
40		286918001	REMOTE LOCKOUT ANTENNA	1	
41		296250301	CONNECTOR BULK HEAD	1	
42		296252952	WIRE REMOTE LOCKOUT ANTENNA .5 METER	1	
43		700IB964	DECAL - CONTROL PANEL	1	
44		296266661	DISPLAY - INDICATOR LIGHT	1	
45		10530006	SCREW-#8-32X3/4 SLOT RD.HD.	2	
46		296260492	MICRO HOSE - .078 X 160 4FSJIC 6900PSI	3	
47		69759001	LOCK NUT-#8-32 NYLON INSERT PL	2	

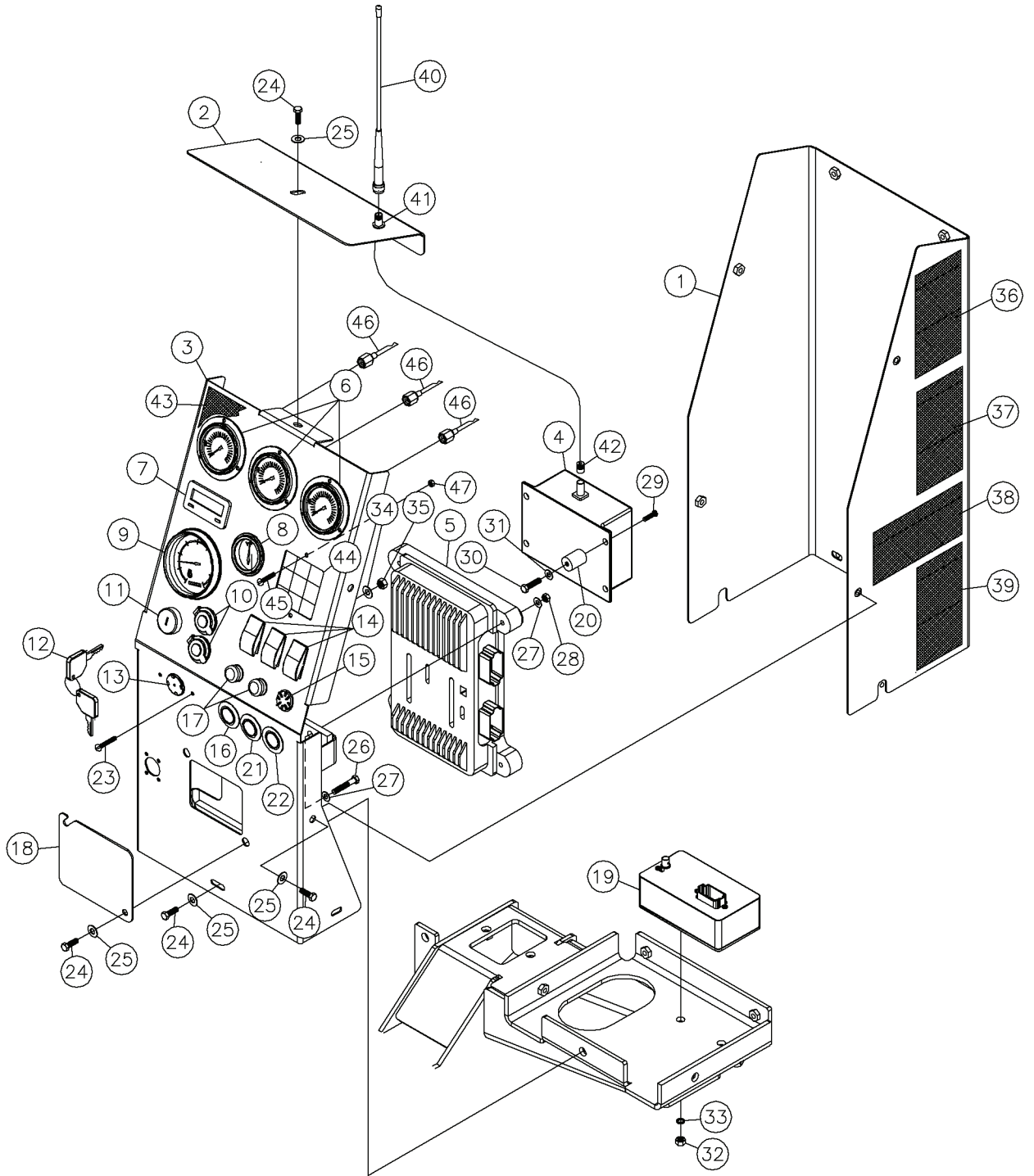
Control Panel Electrical Assy Fig 6-5



## Control Panel Electrical Assy Fig 6-5

REF. NO.	*	PART NO.	DESCRIPTION	QTY.	REMARKS
1		296266641	SHROUD - FRONT CONSOLE	1	
2		296266636	PLATE - TOP CONSOLE	1	
3		296266642	SHROUD - CONSOLE GAUGE	1	
4		296250303	REMOTE LOCKOUT RADIO KIT 434 MHZ	1	
5		296268629	CONTROLLER - CONSOLE	1	
6		289709001	GAUGE - SPAN 5000 PSI WITH BACKLITE	3	
7		296260406	DISPLAY - FLOW	1	
8		201786001	GAUGE-FUEL DATCON 810EM	1	
9		98933001	GAUGE-TACHOMETER O-3000 RPM	1	
10		285604001	OUTLET - 12 VOLT	2	
11		285597001	SWITCH - IGNITION	1	
12		285597002	KEYS - IGNITION SWITCH (MATCHED PAIR)	1	
13		904346001	BUZZER	1	
14		257205001	SWITCH-SP 2 POSITION BRAKE	3	
15		286920001	REMOTE LOCKOUT BUZZER	1	
16		277696001	SWITCH - PUSH BUTTON ZAP ALERT VOLTAGE TEST	1	
17		260766001	SWITCH-MOM BUTTON NO	2	
18		296260333	PLATE - COVER	1	
19		281523001	ZAP ALERT - CURRENT SENSE	1	
20		296252528	MOUNT, SHOCK RX M6X10	4	
21		277697001	SWITCH - PUSH BUTTON ZAP ALERT CURRENT TEST	1	
22		277695001	SWITCH - PUSH BUTTON ZAP ALERT RESET	1	
23		905001001	BOLT-8-32 X 2 STOVE	2	
24		235742001	BOLT-5/16-18X3/4 GR8 ZINC PLTD	12	
25		235714001	WASHER - FLATSTRL - .31 - .34 X .69 - .06-YZ-A325	12	
26		238210001	BOLT - 1/4-20X1 1/2 GR8 HEX ZYC	4	
27		235716001	WASHER - FLATSTRL - .25 -.28 X .63 - .06 - CZ	8	

Control Panel Electrical Assy (continued) Fig 6-5

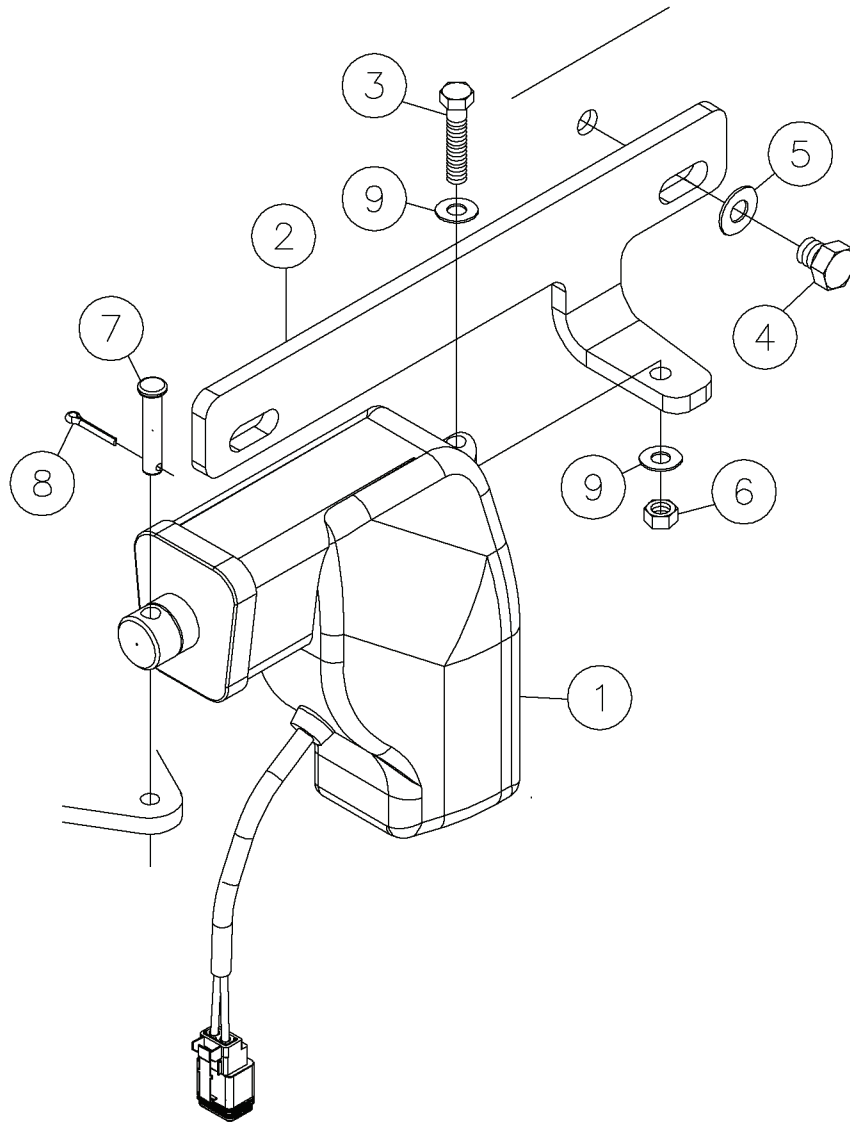




## Control Panel Electrical Assy (continued) Fig 6-5

REF. NO.	*	PART NO.	DESCRIPTION	QTY.	REMARKS
28		235732001	NUT - HEX - .25 - 20 - GR8 - YZ	4	
29		506031010	SCREW-HCS,M6-1.00X10,8.8,YZ,D933,FT	4	
30		506031008	SCREW-HCS,M6-1.00X8,8.8,YZ,D933,FT	4	
31		252251001	WASHER-1/4 SAE FLAT ZP	4	
32		406001	NUT-5/16 NC HEX	2	
33		485005	WASHER-5/16 FLAT	2	
34		904995001	WASHER-8 INTERNAL STAR	2	
35		399001	NUT-8-32 HEX	2	
36		7000A393	DECAL - DANGER	1	
		700IA393	DECAL - DANGER	1	
37		7000A394	DECAL - WARNING	1	
		700IA394	DECAL - WARNING	1	
38		7000A576	DECAL-DANGER	1	
		700IA576	DECAL-DANGER	1	
39		7000B811	DECAL - DANGER - RLE - DOMESTIC	1	
		700IB811	DECAL - DANGER - RLE INTERNATIONAL	1	
40		286918001	REMOTE LOCKOUT ANTENNA	1	
41		296250301	CONNECTOR BULK HEAD	1	
42		296252952	WIRE REMOTE LOCKOUT ANTENNA .5 METER	1	
43		700IB964	DECAL - CONTROL PANEL	1	
44		296266661	DISPLAY - INDICATOR LIGHT	1	
45		10530006	SCREW-#8-32X3/4 SLOT RD.HD.	2	
46		296260492	MICRO HOSE - .078 X 160 4FSJIC 6900PSI	3	
47		69759001	LOCK NUT-#8-32 NYLON INSERT PL	2	

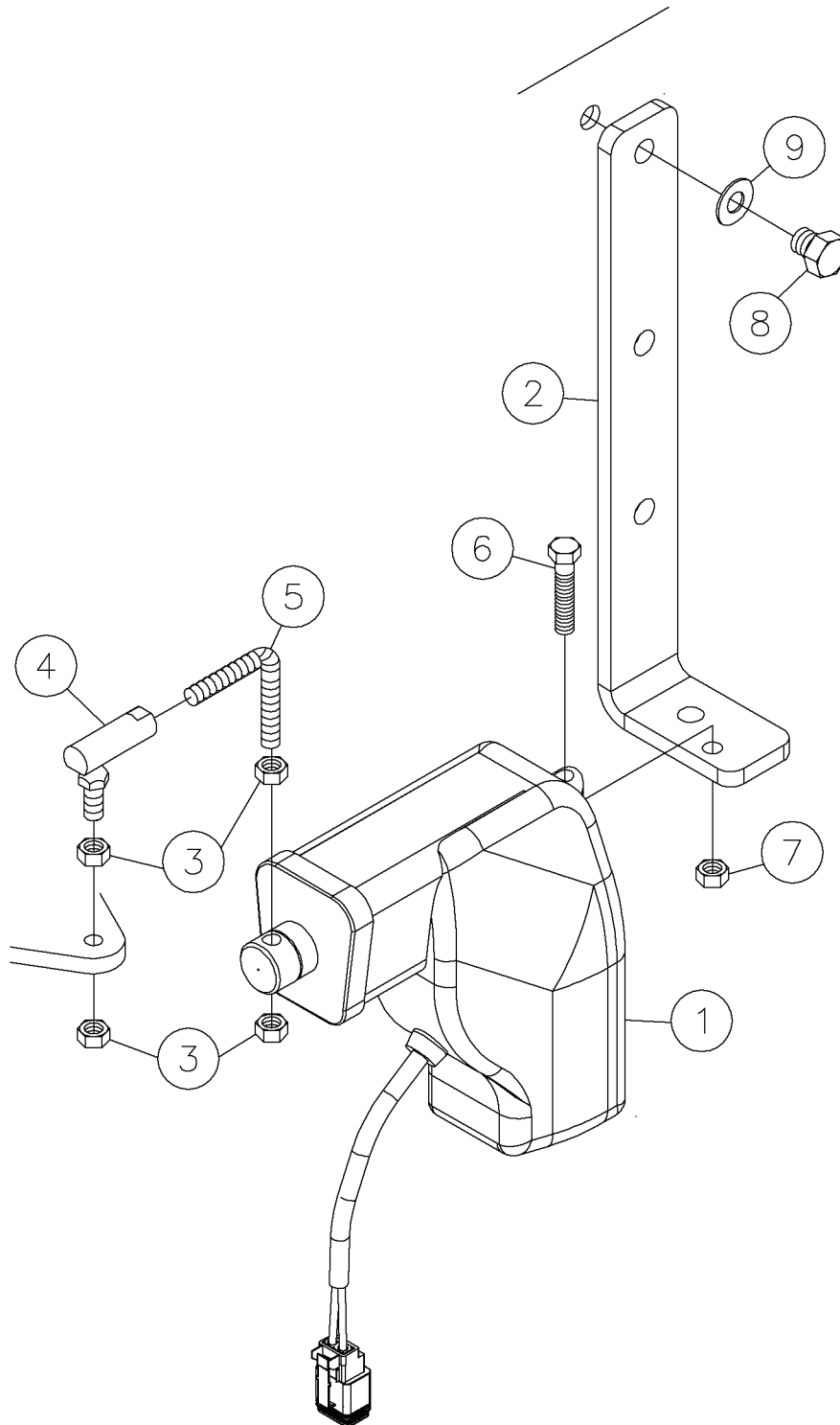
Throttle Actuator Assy (S/N 126 & UP) Fig 6-6r01



## Throttle Actuator Assy (S/N 126 &amp; UP) Fig 6-6r01

REF. NO.	*	PART NO.	DESCRIPTION	QTY.	REMARKS
		Revision Date	February, 2004		Update In Illustration & Parts List.
1		296266654	ACTUATOR - THROTTLE ELECTRIC	1	
2		296273252	BRACKET-THROTTLE	1	
3		238210001	BOLT - 1/4-20X1 1/2 GR8 HEX ZYC	1	
4		235719001	BOLT-M8X15MM DIN933 10.9 ZN PL	2	
5		235714001	WASHER - FLATSTRL - .31 - .34 X .69 - .06-YZ-A325	2	
6		248198001	NUT-1/4 - 20 GR8 TOP LOCK ZINC	1	
7		2110021	PIN - CLEVIS 1/4 X 1-1/4 - 1-7/64 UL	1	
8		510005	COTTER PIN-3/32" X 3/4"	1	
9		235716001	WASHER - FLATSTRL - .25 -.28 X .63 - .06 - CZ	2	

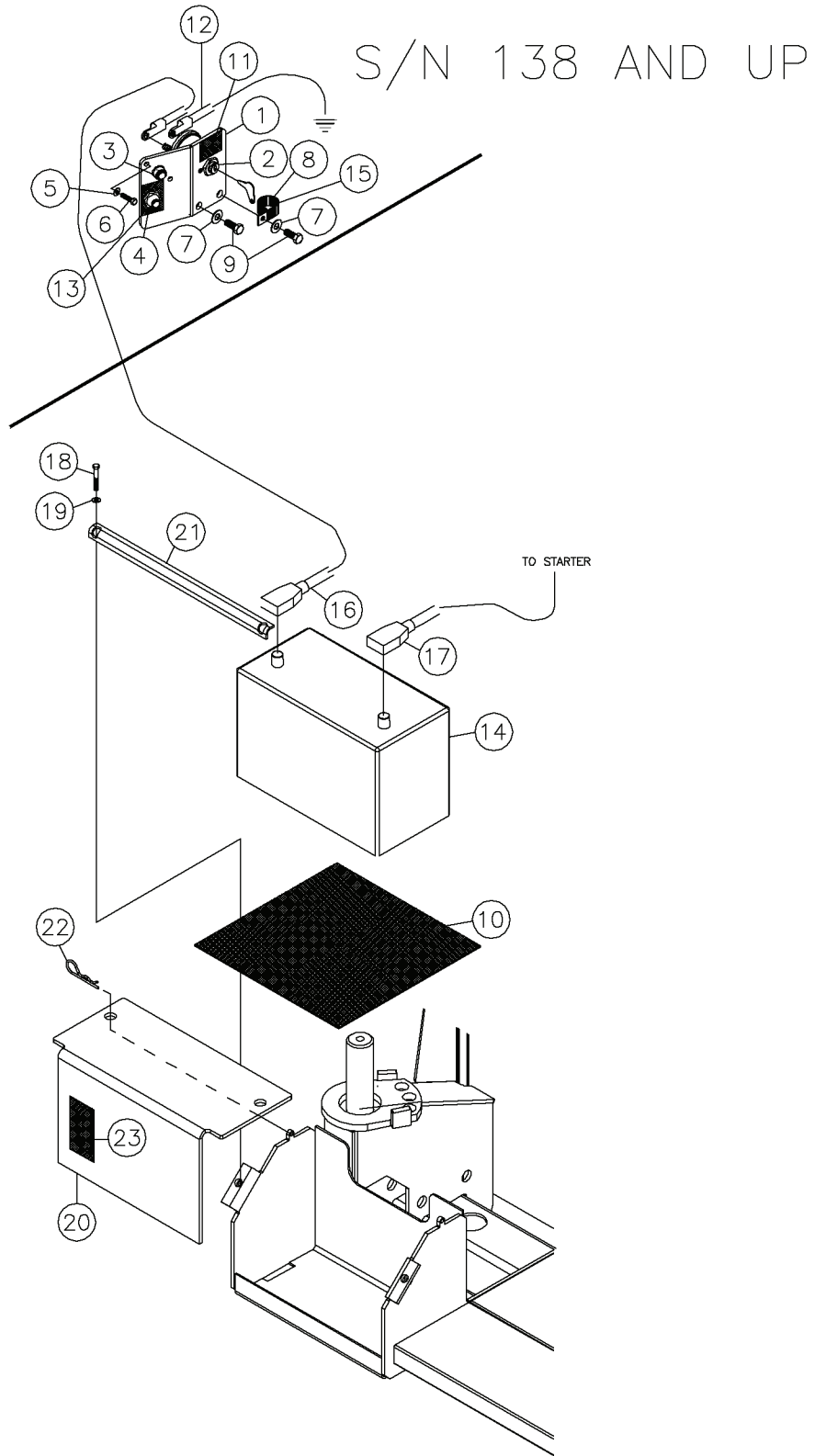
Throttle Actuator Assy (S/N 101-125) Fig 6-6



## Throttle Actuator Assy (S/N 101-125) Fig 6-6

REF. NO.	*	PART NO.	DESCRIPTION	QTY.	REMARKS
1		296266654	ACTUATOR - THROTTLE ELECTRIC	1	
2		296266646	BAR - RADIATOR BRACE	1	
3		14881001	NUT-1/4-28 NF HEX JAM	4	
4		1489001	BALL JOINT - 1/4" SP1002 CP	1	
5		296266656	LINK - THROTTLE	1	
6		235719001	BOLT-M8X15MM DIN933 10.9 ZN PL	1	
7		248198001	NUT-1/4 - 20 GR8 TOP LOCK ZINC	1	
8		235719001	BOLT-M8X15MM DIN933 10.9 ZN PL	2	
9		235714001	WASHER - FLATSTRL - .31 - .34 X .69 - .06-YZ-A325	2	

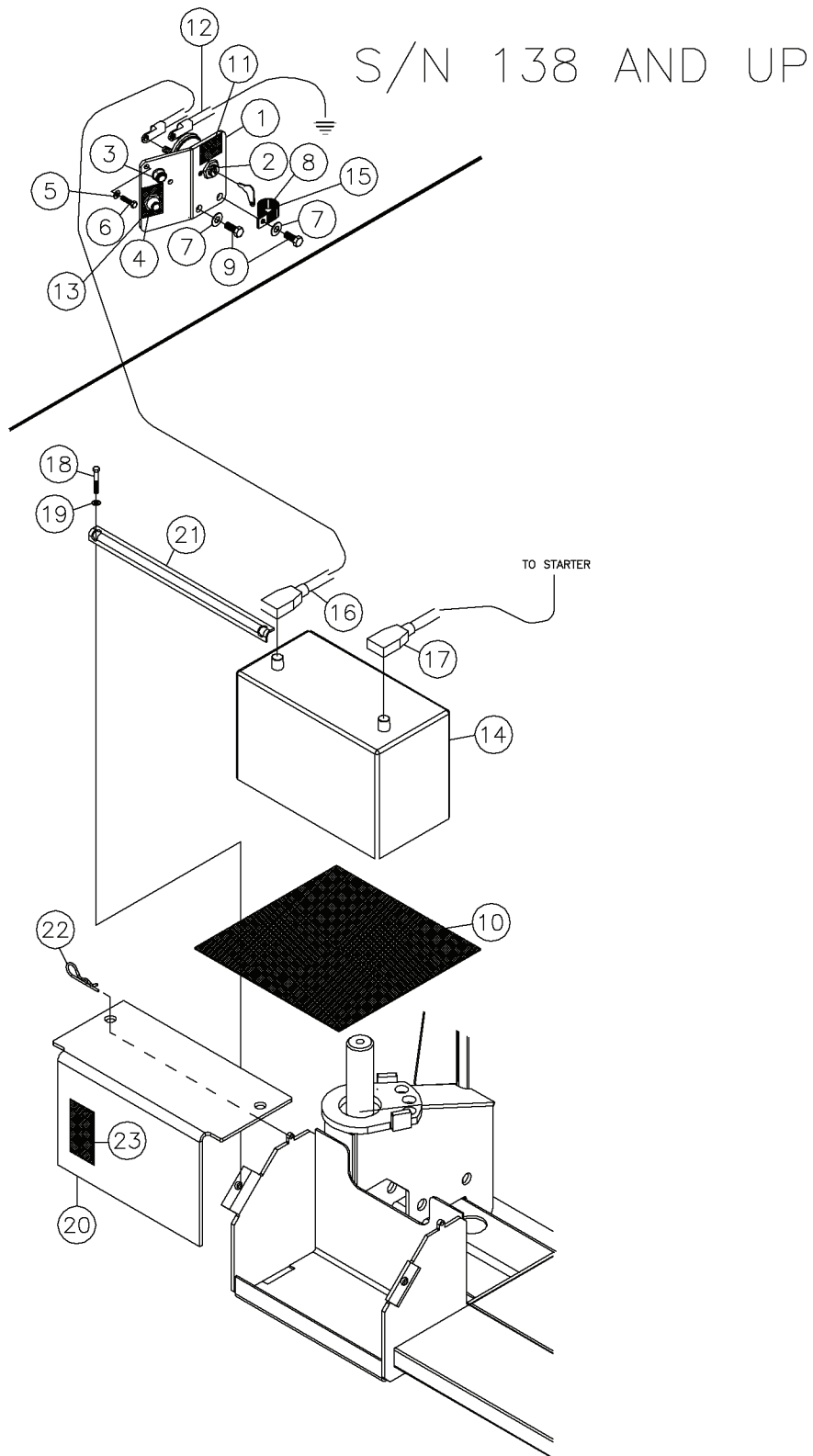
Battery Assy (S/N 138 And Up) Fig 6-7r02



## Battery Assy (S/N 138 And Up) Fig 6-7r02

REF. NO.	*	PART NO.	DESCRIPTION	QTY.	REMARKS
		Revision Date	July, 2004		Update In Parts List.
1		296266681	MOUNT - DASH SWITCH	1	
2		904365001	DISCONNECT SWITCH	1	
3		244767001	BREAKER-105 AMP CIRCUIT	1	
4		12543001	SWITCH-1996097 DETROIT PSH BUT	1	
5		235716001	WASHER - FLATSTRL - .25 -.28 X .63 - .06 - CZ	1	
6		235735001	BOLT-1/4-20X1 GR8 HEX ZNC PLTD	1	
7		250515001	7/16 HARD WASHER SAE Y/ZINC	1	
8		87356003	KEY	1	
9		24772001	BOLT-12M X 35 GR. 8.8 HEX HEAD	1	
10		277044001	PAD - RUBBER	1	
11		700IA477	DECAL BATTERY SWITCH (UG)	1	
12		296269273	CABLE - 2/0 GA. X 22" GROUND	1	
13		7000C072	DECAL - GLOW PLUG	1	
14		N/S	BATT. GROUP 31 950CCA	1	
15		230965001	CLAMP-1 3/4" W/17/32 HOLE	1	
16		296260057	CABLE - 2/0 GA X 97" N TO E BLACK	1	
17		296260056	CABLE - 2/0 GA X 115" N TO E RED	1	
18		351016	BOLT-5/16-18X1 3/4"GRADE#5 HEX REF T11066	2	
19		235714001	WASHER - FLATSTRL - .31 - .34 X .69 - .06-YZ-A325	2	
20		296260242	COVER - BATTERY (PLASTIC)	1	
21		296260241	BAR-BATTERY CLAMP	1	
22		1793005	HAIR PIN COTTER - .125 WIRE REF F01551	2	
23		70000044	DECAL-WARNING(AT/UND)	1	
		70000I044	DECAL-WARNING	1	International

Battery Assy (S/N 138 And Up) Fig 6-7r01

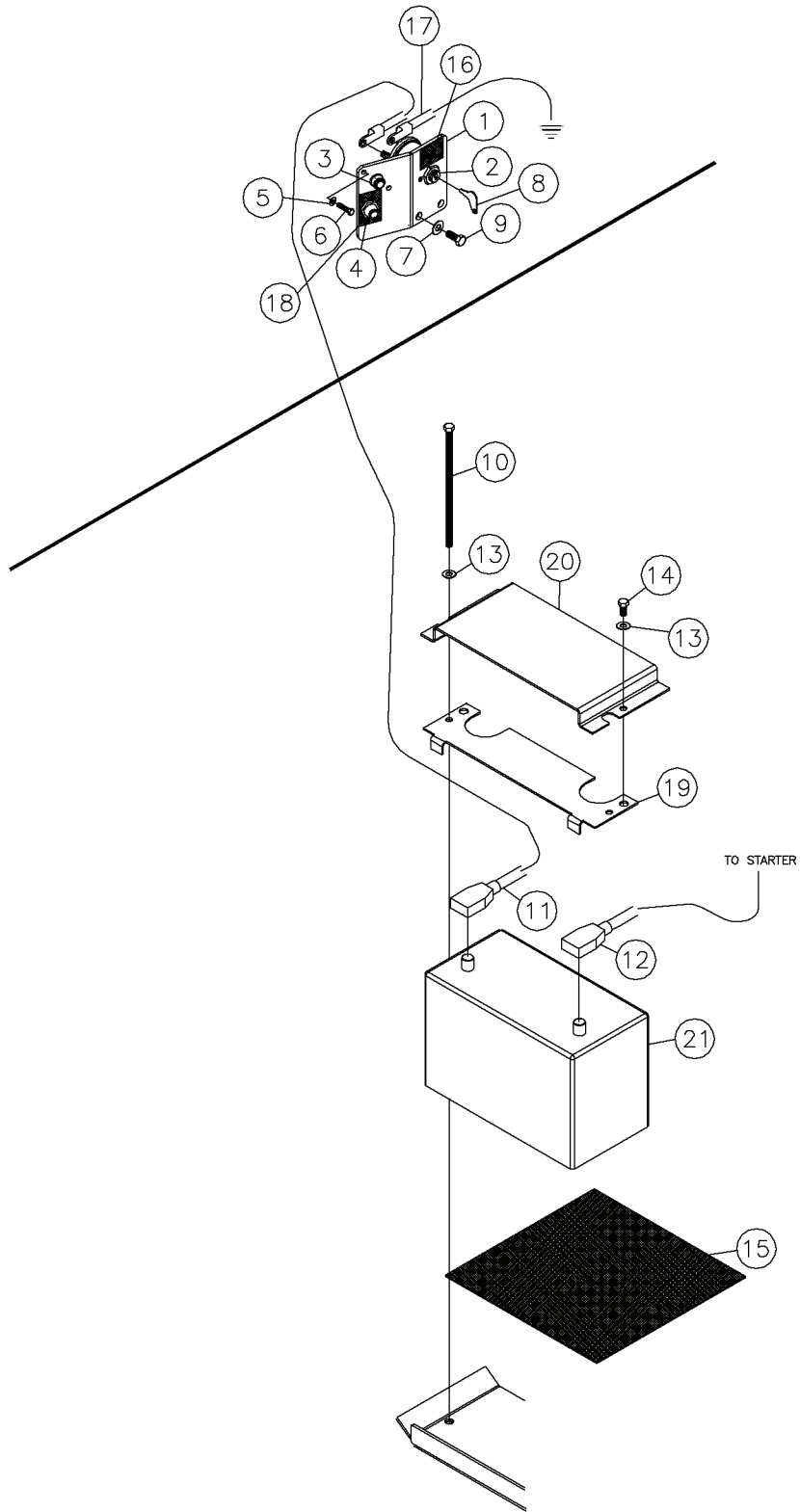




## Battery Assy (S/N 138 And Up) Fig 6-7r01

REF. NO.	*	PART NO.	DESCRIPTION	QTY.	REMARKS
		Revision Date	February, 2004		Update In Illustration & Parts List.
1		296266681	MOUNT - DASH SWITCH	1	
2		904365001	DISCONNECT SWITCH	1	
3		244767001	BREAKER-105 AMP CIRCUIT	1	
4		12543001	SWITCH-1996097 DETROIT PSH BUT	1	
5		235716001	WASHER - FLATSTRL - .25 - .28 X .63 - .06 - CZ	1	
6		235735001	BOLT-1/4-20X1 GR8 HEX ZNC PLTD	1	
7		250515001	7/16 HARD WASHER SAE Y/ZINC	1	
8		87356003	KEY	1	
9		24772001	BOLT-12M X 35 GR. 8.8 HEX HEAD	1	
10		277044001	PAD - RUBBER	1	
11		700IA477	DECAL BATTERY SWITCH (UG)	1	
12		296269273	CABLE - 2/0 GA. X 22" GROUND	1	
13		7000C072	DECAL - GLOW PLUG	1	
14		N/S	BATT. GROUP 31 950CCA	1	
15		2595013	CLAMP-1 1/2" I.D. W/VINYL COAT W/ 13/32	1	
16		296260057	CABLE - 2/0 GA X 97" N TO E BLACK	1	
17		296260056	CABLE - 2/0 GA X 115" N TO E RED	1	
18		351016	BOLT-5/16-18X1 3/4"GRADE#5 HEX REF T11066	2	
19		235714001	WASHER - FLATSTRL - .31 - .34 X .69 - .06-YZ-A325	2	
20		296260242	COVER - BATTERY (PLASTIC)	1	
21		296260241	BAR-BATTERY CLAMP	1	
22		1793005	HAIR PIN COTTER - .125 WIRE REF F01551	2	
23		70000044	DECAL-WARNING(AT/UND)	1	
		70000I044	DECAL-WARNING	1	International

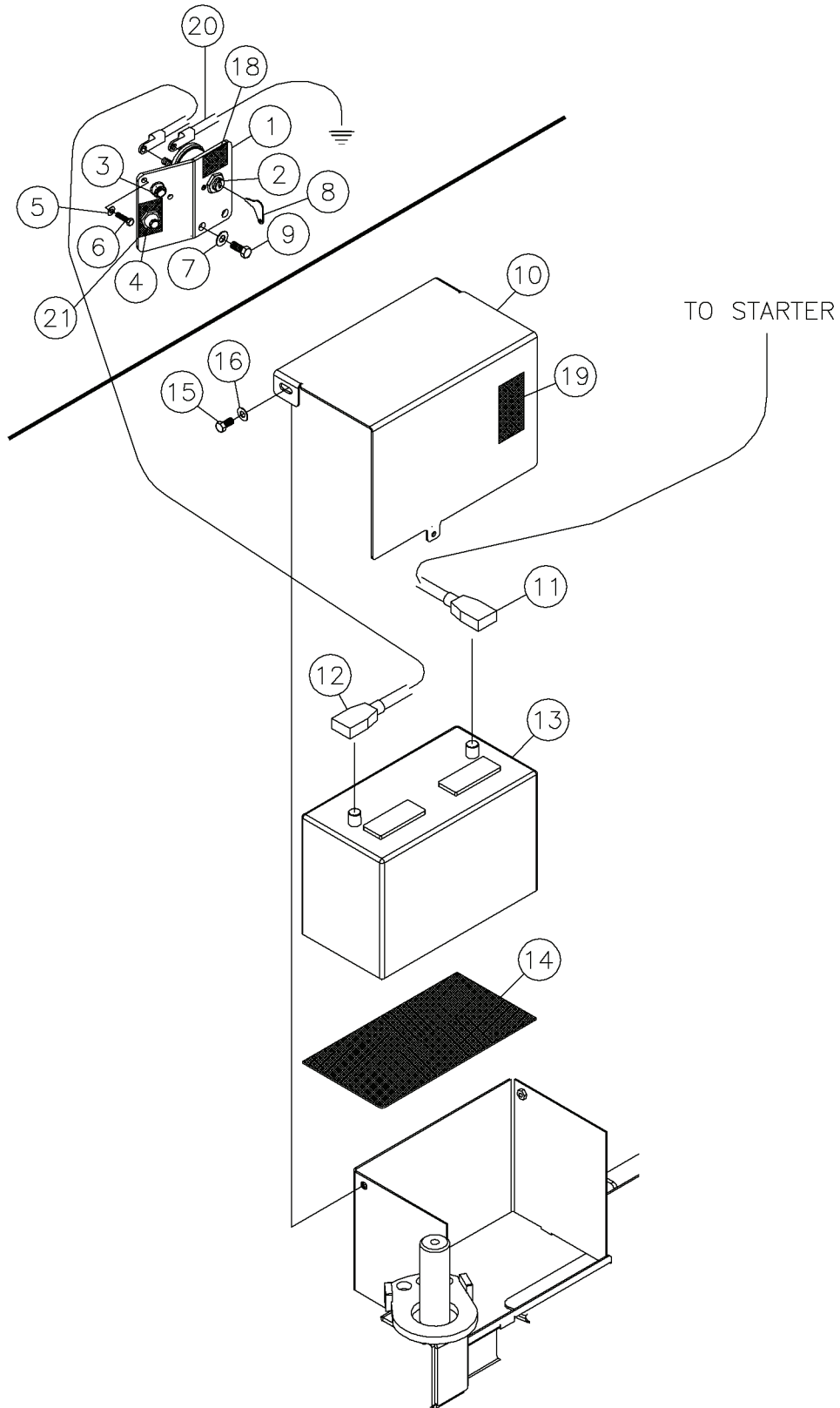
Battery Assy (S/N 106 & 137) Fig 6-7



## Battery Assy (S/N 106 &amp; 137) Fig 6-7

REF. NO.	*	PART NO.	DESCRIPTION	QTY.	REMARKS
1		296266681	MOUNT - DASH SWITCH	1	
2		904365001	DISCONNECT SWITCH	1	
3		244767001	BREAKER-105 AMP CIRCUIT	1	
4		12543001	SWITCH-1996097 DETROIT PSH BUT	1	
5		235716001	WASHER - FLATSTRL - .25 - .28 X .63 - .06 - CZ	1	
6		235735001	BOLT-1/4-20X1 GR8 HEX ZNC PLTD	1	
7		250515001	7/16 HARD WASHER SAE Y/ZINC	1	
8		87356003	KEY	1	
9		24772001	BOLT-12M X 35 GR. 8.8 HEX HEAD	1	
10		243901001	BOLT-3/8-16X9 1/2 GR5 HHC ZP	2	
11		296269272	CABLE - 2/0 GA X 67" N TO E BLACK	1	
12		296269271	CABLE - 2/0 GA X 81" P TO E RED	1	
13		235713001	WASHER - FLATSTRL - .38 - .41 X .81 - .06-YA-A325	4	
14		235726001	BOLT-3/8-16X3/4 GR8 HEX ZNCPLT	2	
15		277044001	PAD - RUBBER	1	
16		700IA477	DECAL_BATTERY SWITCH (UG)	1	
17		296269273	CABLE - 2/0 GA. X 22" GROUND	1	
18		7000C072	DECAL - GLOW PLUG	1	
19		296270771	HOLDDOWN-BATTERY	1	
20		296270772	COVER - BATTERY	1	
21		N/S	BATT. GROUP 31 950CCA	1	

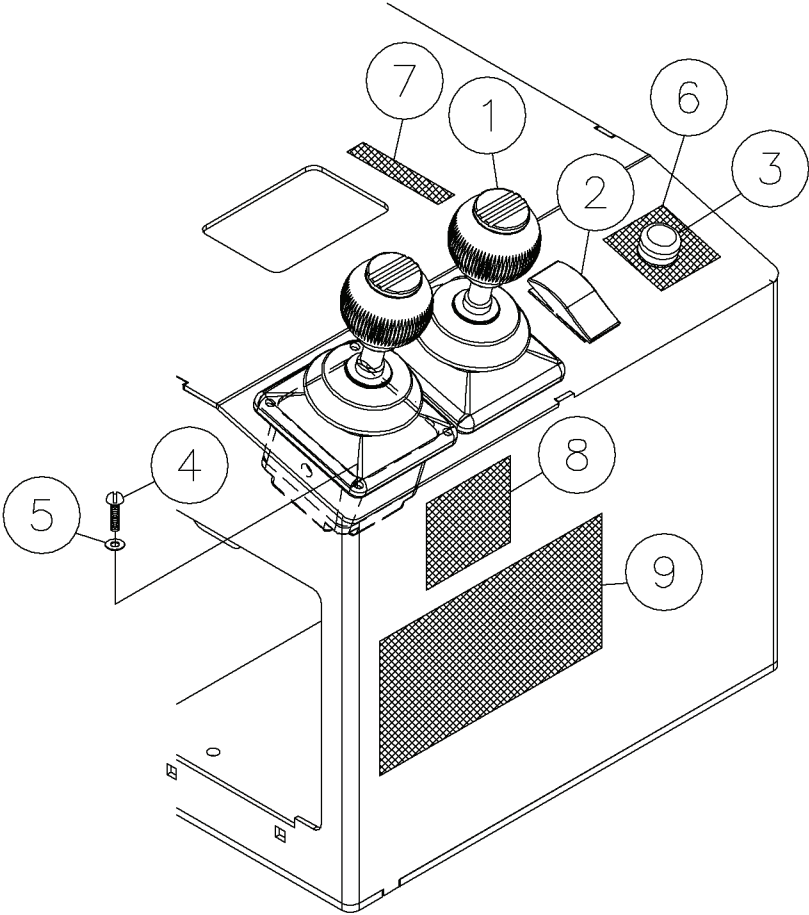
Battery Assy (S/N 101-105) Fig 6-7s01



## Battery Assy (S/N 101-105) Fig 6-7s01

REF. NO.	*	PART NO.	DESCRIPTION	QTY.	REMARKS
1		296266681	MOUNT - DASH SWITCH	1	
2		904365001	DISCONNECT SWITCH	1	
3		244767001	BREAKER-105 AMP CIRCUIT	1	
4		12543001	SWITCH-1996097 DETROIT PSH BUT REF T08975	1	
5		235716001	WASHER - FLATSTRL - .25 - .28 X .63 - .06 - CZ	2	
6		235735001	BOLT-1/4-20X1 GR8 HEX ZNC PLTD	2	
7		250515001	7/16 HARD WASHER SAE Y/ZINC	2	
8		87356003	KEY	1	
9		24772001	BOLT-12M X 35 GR. 8.8 HEX HEAD	2	
10		296266632	COVER - BATTERY BOX	1	
11		296269271	CABLE - 2/0 GA X 115" P TO E RED	1	
12		296269272	CABLE - 2/0 GA X 97" N TO E BLK	1	
13		N/A	BATT. GROUP 31 950CCA	1	
14		277044001	PAD - RUBBER	1	
15		235742001	BOLT-5/16-18X3/4 GR8 ZINC PLTD	3	
16		235714001	WASHER - FLATSTRL - .31 - .34 X .69 - .06-YZ-A325	3	
17		235741001	NUT - HEX - .31 - 18 - GR8 -YZ	2	
18		700IA477	DECAL_BATTERY SWITCH (UG)	1	
19		70000044	DECAL-WARNING(AT/UND)	1	
		7000I044	DECAL-WARNING	1	International
20		292299001	CABLE - BATTERY 22" BLACK	1	
21		7000c072	DECAL-GLOW PLUG	1	

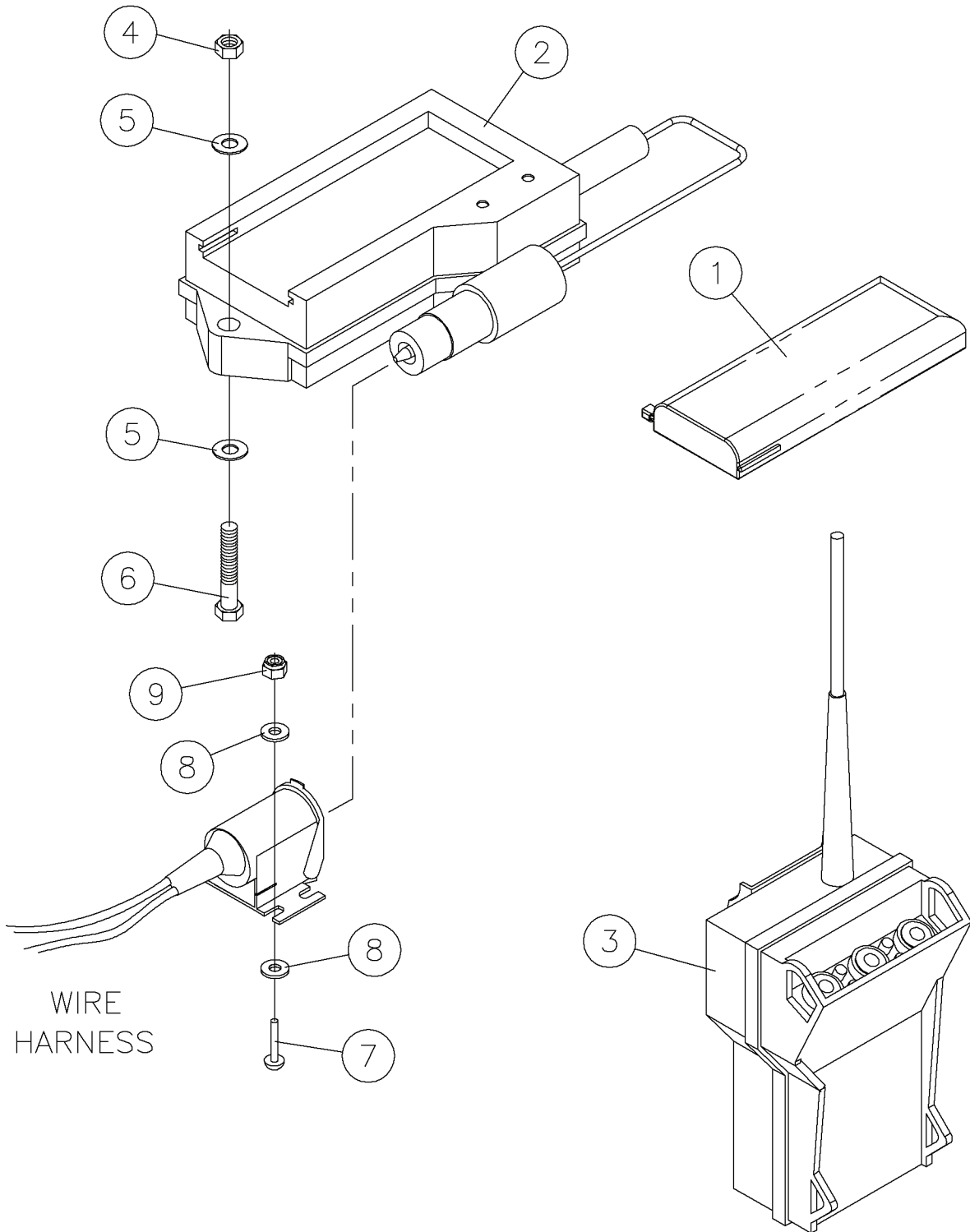
Rear Control Box Electrical Assy Fig 6-8



## Rear Control Box Electrical Assy Fig 6-8

REF. NO.	*	PART NO.	DESCRIPTION	QTY.	REMARKS
1		285694001	JOYSTICK - AJ3 BASE UNIT W/NO GRIP	2	
		292091001	BALL GRIP - JOYSTICK	2	
2		257205001	SWITCH-SP 2 POSITION BRAKE	1	
3		296259684	BUTTON - RED PUSH/PULL	1	
4		10530006	SCREW-#8-32X3/4 SLOT RD.HD.	8	
5		224769001	WASHER-#8 FLAT	8	
6		7000C073	DECAL-E-STOP	1	
7		700IC035	DECAL-THROTTLE	1	
8		700IB055	DECAL - TRACK DRIVE	1	
9		7000A576	DECAL-DANGER	1	
		700IA576	DECAL-DANGER	1	International

Remote Lockout Assy Fig 6-9r01

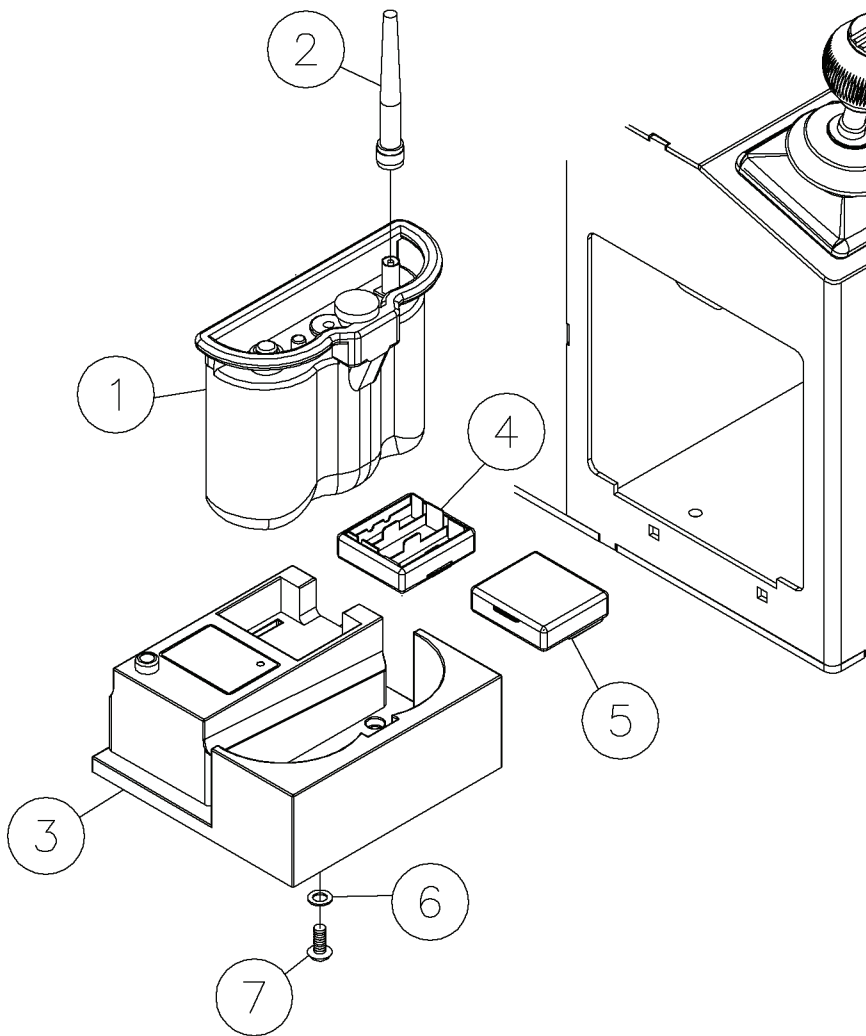




## Remote Lockout Assy Fig 6-9r01

REF. NO.	*	PART NO.	DESCRIPTION	QTY.	REMARKS
		Revision Date	May, 2005		Update In Illustration & Parts List.
1		296272400	BATTERY - 1000MA NBB	1	
2		296272392	CHARGER, 12-VOLT NBB	1	
3		296272303	ASM - R309LK FOR HDD	1	
4		1809005	NUT-1/4 SM FLGE T.L.	2	
5		235716001	WASHER - FLATSTRL - .25 -.28 X .63 - .06 - CZ	4	
6		238210001	BOLT - 1/4-20X1 1/2 GR8 HEX ZYC	2	
7		10530006	SCREW-#8-32X3/4 SLOT RD.HD.	2	
8		224769001	WASHER-#8 FLAT	4	
9		69759001	LOCK NUT-#8-32 NYLON INSERT PL	2	

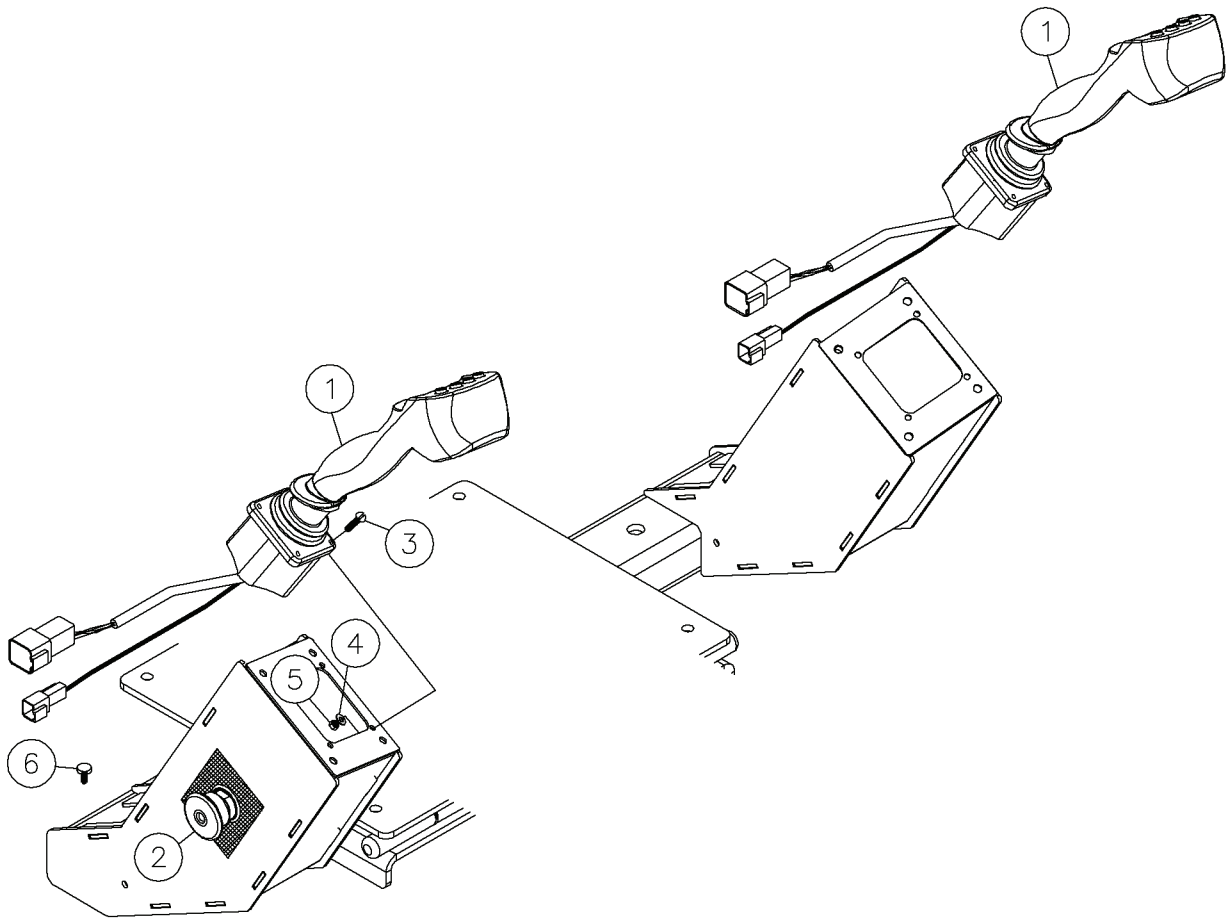
Remote Lockout Assy Fig 6-9



## Remote Lockout Assy Fig 6-9

REF. NO.	*	PART NO.	DESCRIPTION	QTY.	REMARKS
1		296252542	REMOTE LOCKOUT RADIO KIT 458 MHZ	1	
2		296252545	REMOTE LOCKOUT MINIFLEX ANTENNA	1	
3		286903001	REMOTE LOCKOUT DOCKING STATION	1	
4		296250302	BATTERY HOLDER 3-AA	1	
5		296250300	BATTERY - 3.5 VOLTS 1.2 AH	1	
6		235716001	WASHER - FLATSTRL - .25 -.28 X .63 - .06 - CZ	4	
7		1802006	BOLT-10-24 X 3/4 RND HD STOVE	4	

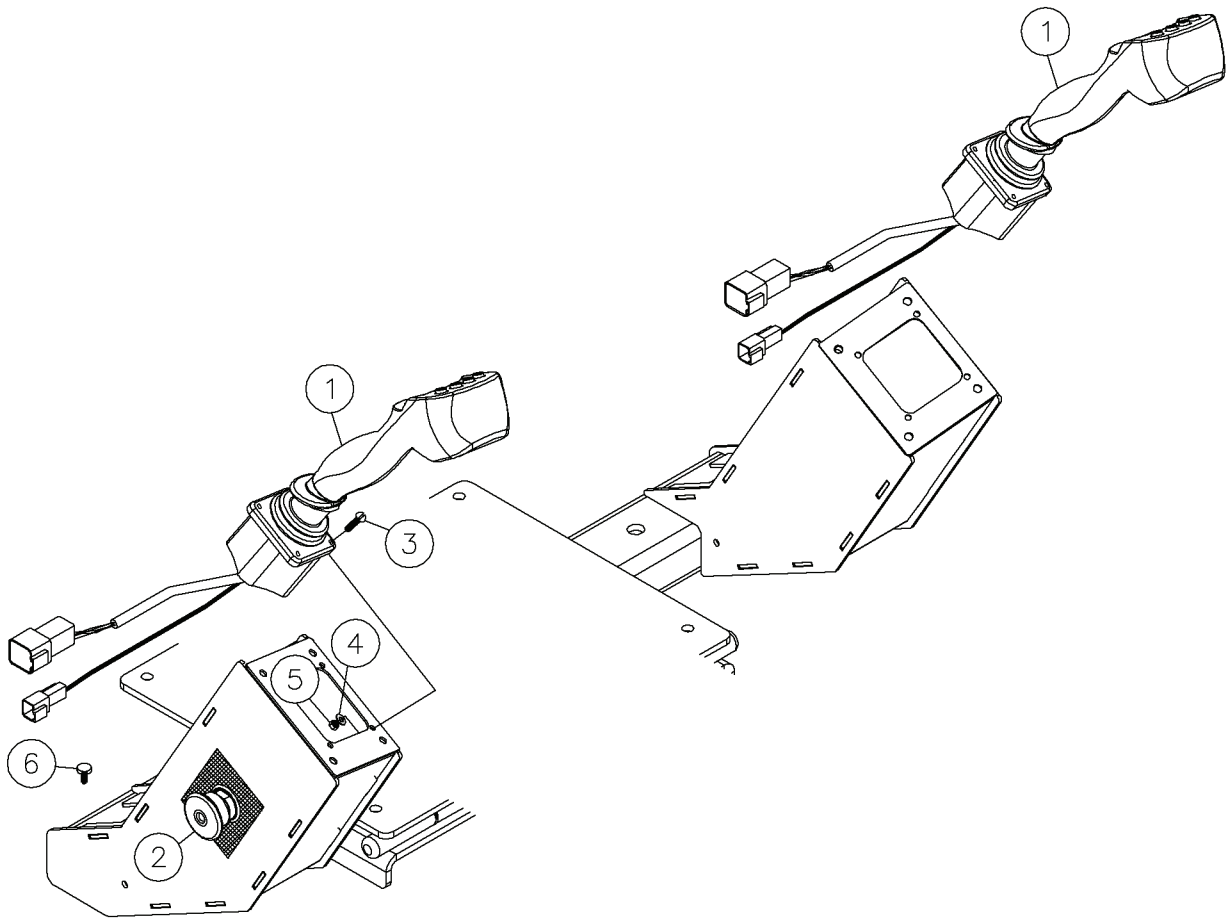
Seat Control Electrical Assy(S/N 136 And Up) Fig 6-10r02



## Seat Control Electrical Assy(S/N 136 And Up) Fig 6-10r02

REF. NO.	*	PART NO.	DESCRIPTION	QTY.	REMARKS
		Revision Date	May, 2005		Update In Parts List.
1		296273300	JOYSTICK - 1 AXIS, 4 SWITCH	2	Breakdown Fig. 11-25
2		296259684	BUTTON - RED PUSH/PULL	1	
3		10530006	SCREW-#8-32X3/4 SLOT RD.HD.	8	
4		224769001	WASHER-#8 FLAT	8	
5		69759001	LOCK NUT-#8-32 NYLON INSERT PL	8	
6		278953001	ANCHOR - CABLE TIE	5	

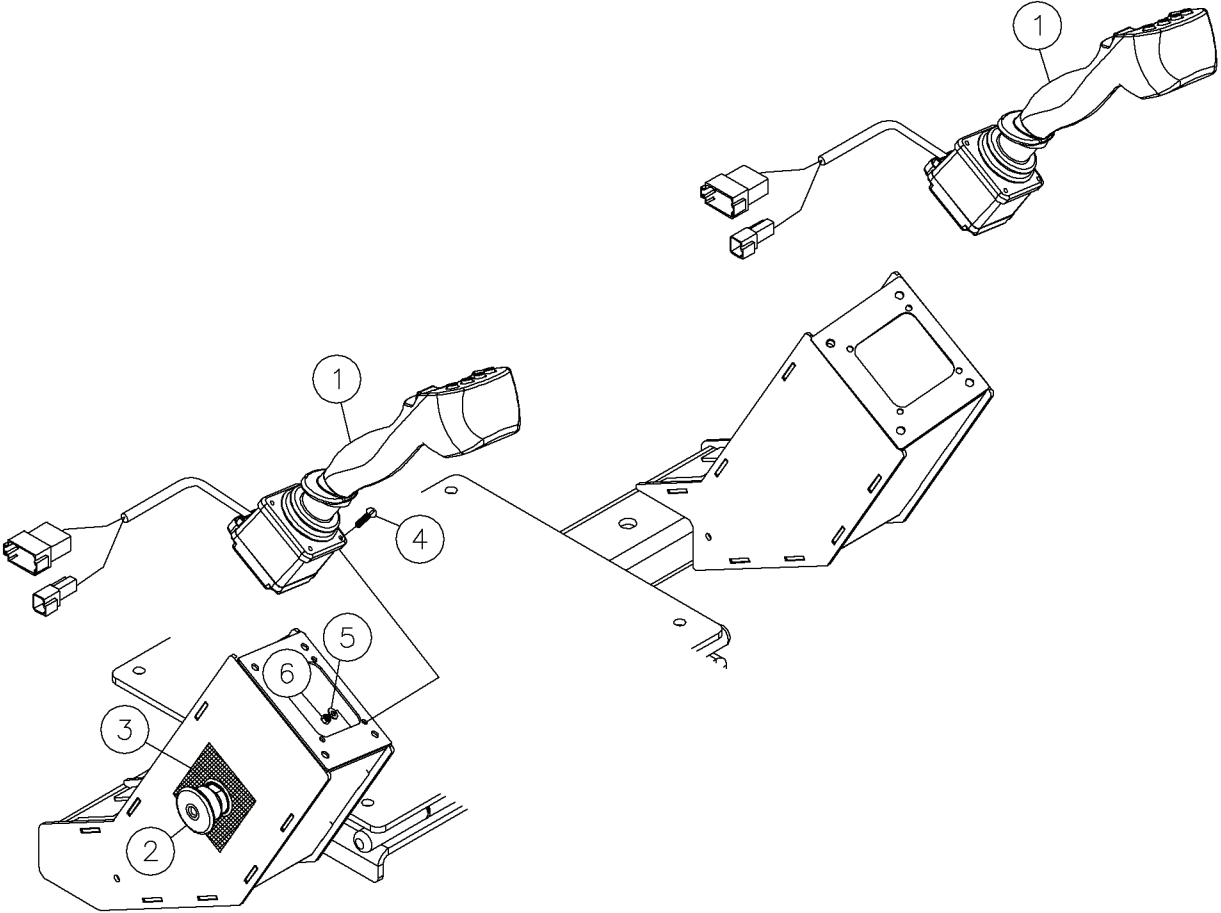
Seat Control Electrical Assy(S/N 136 And Up) Fig 6-10r01



## Seat Control Electrical Assy(S/N 136 And Up) Fig 6-10r01

REF. NO.	*	PART NO.	DESCRIPTION	QTY.	REMARKS
		Revision Date	February, 2004		Update In Illustration & Parts List.
1		296273300	JOYSTICK - 1 AXIS, 4 SWITCH	2	
2		296259684	BUTTON - RED PUSH/PULL	1	
3		10530006	SCREW-#8-32X3/4 SLOT RD.HD.	8	
4		224769001	WASHER-#8 FLAT	8	
5		69759001	LOCK NUT-#8-32 NYLON INSERT PL	8	
6		278953001	ANCHOR - CABLE TIE	5	

Seat Control Electrical Assy(S/N 101-135) Fig 6-10

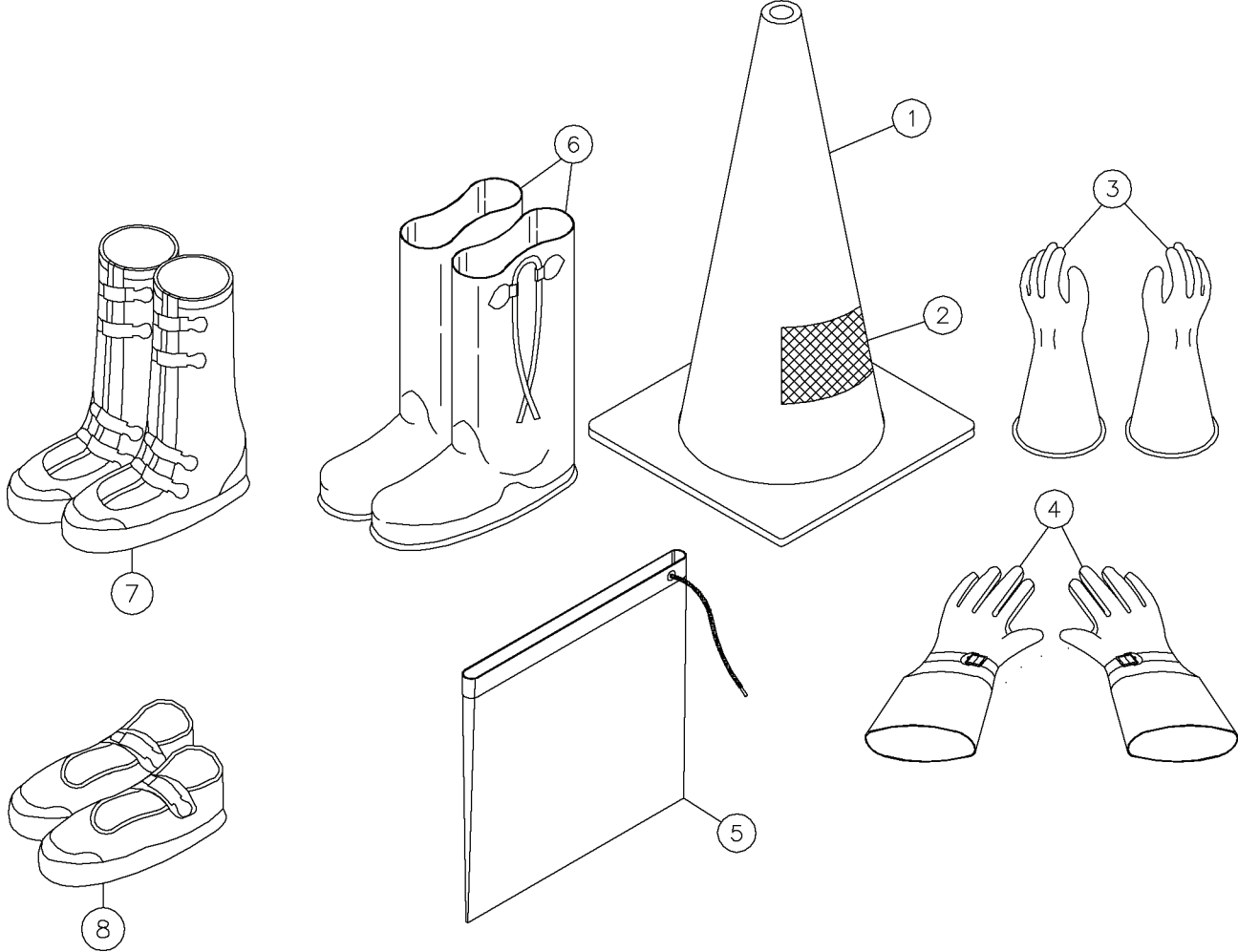




## Seat Control Electrical Assy(S/N 101-135) Fig 6-10

REF. NO.	*	PART NO.	DESCRIPTION	QTY.	REMARKS
1		296260405	JOYSTICK - OPERATOR	2	
2		296259684	BUTTON - RED PUSH/PULL	1	
3		7000C073	DECAL-E-STOP	1	
4		10530006	SCREW-#8-32X3/4 SLOT RD.HD.	8	
5		224769001	WASHER-#8 FLAT	8	
6		69759001	LOCK NUT-#8-32 NYLON INSERT PL	8	

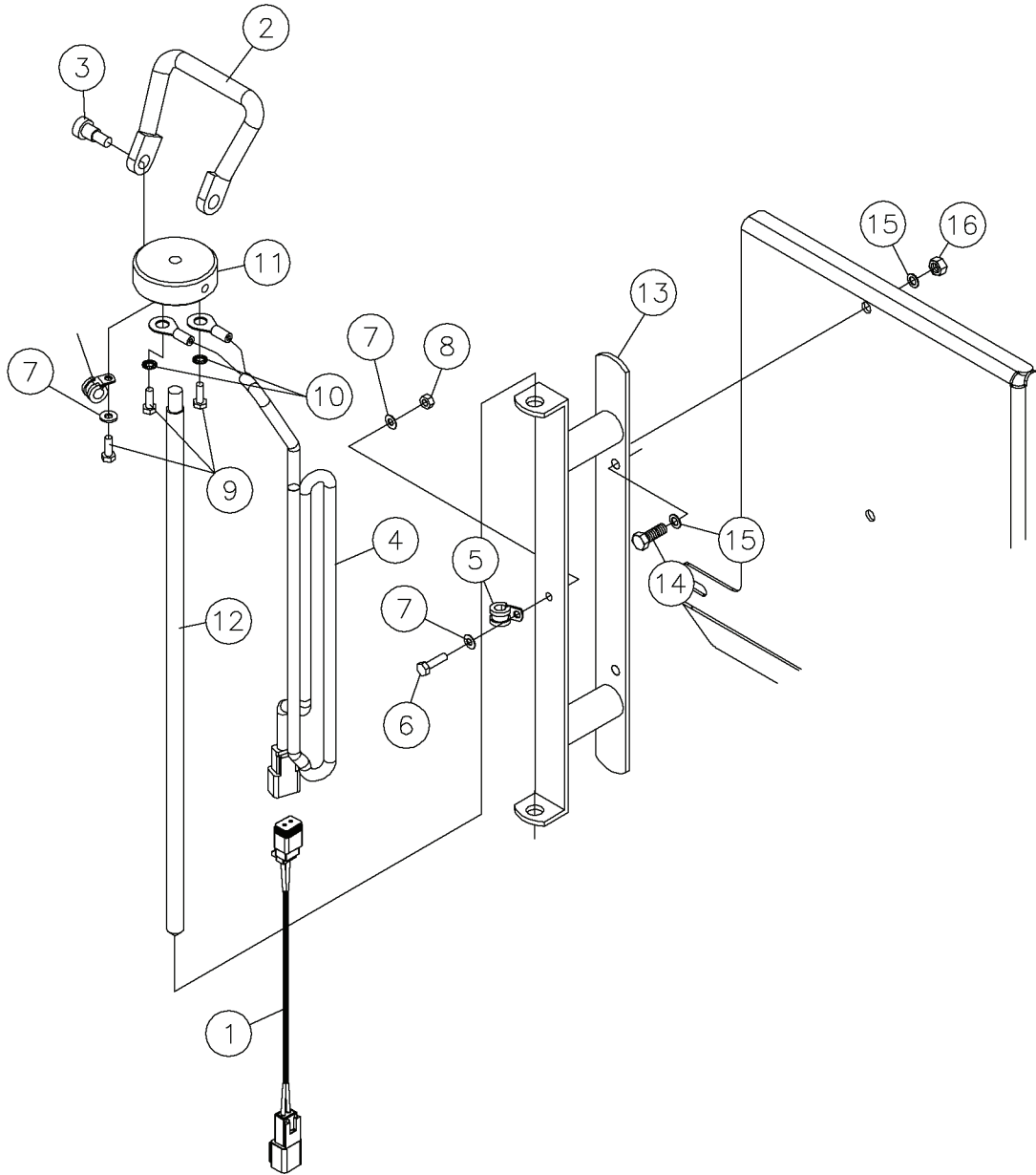
Safety Features Gloves-Boots-Cones Fig 7-1



## Safety Features Gloves-Boots-Cones Fig 7-1

REF. NO.	*	PART NO.	DESCRIPTION	QTY.	REMARKS
1		904541001	CONES-ORANGE PVC	4	
2		70000530	DECAL-DANGER	4	
		7000I530	DECAL-WARNING (NAVIGATORS)	4	international
3		210782001	GLOVES-SIZE 9 RUBBER INSULATE	1	P/N Qty. Of 1 = 1 Pair
		210782005	GLOVES-SIZE 9 1/2 RUBBER INSUL	1	P/N Qty. Of 1 = 1 Pair
		210782003	GLOVES-SIZE 10 RUBBER INSULATE	1	P/N Qty. Of 1 = 1 Pair
		210782007	GLOVE-SIZE 11 RUBBER INSULATED	1	P/N Qty. Of 1 = 1 Pair
		210782009	GLOVE-SIZE 12 RUBBER INSULATED	1	P/N Qty. Of 1 = 1 Pair
4		210783001	GLOVES-SIZE 9 LEATHER PROTECT	1	P/N Qty. Of 1 = 1 Pair
		210783005	GLOVES SIZE 9 1/2 LEATHER PROT	1	P/N Qty. Of 1 = 1 Pair
		210783003	GLOVES-SIZE 10 LEATHER PROTECT	1	P/N Qty. Of 1 = 1 Pair
		210783007	GLOVE-SIZE 11 LEATHER PROTECT	1	P/N Qty. Of 1 = 1 Pair
		210783009	GLOVE-SIZE 12 LEATHER PROTECT	1	P/N Qty. Of 1 = 1 Pair
		210781001	GLOVE KIT-SIZE 9	1	Incudes 1 Pair Of Rubber Gloves, 1pair Of Leather Gloves & 1 Glove Bag Ref 5
		224979001	GLOVE KIT-SIZE 9 1/2	1	Incudes 1 Pair Of Rubber Gloves, 1pair Of Leather Gloves & 1 Glove Bag Ref 5
		210785001	GLOVE KIT-SIZE 10	1	Incudes 1 Pair Of Rubber Gloves, 1pair Of Leather Gloves & 1 Glove Bag Ref 5
		224990001	GLOVE KIT-SIZE 11	1	Incudes 1 Pair Of Rubber Gloves, 1pair Of Leather Gloves & 1 Glove Bag Ref 5
		224991001	GLOVE KIT-SIZE 12	1	Incudes 1 Pair Of Rubber Gloves, 1pair Of Leather Gloves & 1 Glove Bag Ref 5
5		210784001	BAG-GLOVE	1	
6		210780009	BOOTS-SIZE 9 OVER-THE-SHOE	1	P/N Qty. Of 1 = 1 Pair
		210780001	BOOTS-SIZE 10 OVER-THE-SHOE	1	P/N Qty. Of 1 = 1 Pair
		210780003	BOOTS-SIZE 11 OVER-THE-SHOE	1	P/N Qty. Of 1 = 1 Pair
		210780005	BOOTS-SIZE 12 OVER-THE-SHOE	1	P/N Qty. Of 1 = 1 Pair
		210780007	BOOTS-SIZE 13 OVER-THE-SHOE	1	P/N Qty. Of 1 = 1 Pair
		210780011	BOOTS-SIZE 14 OVER-THE-SHOE	1	P/N Qty. Of 1 = 1 Pair
		210780013	BOOTS-SIZE 15 OVER-THE-SHOE	1	P/N Qty. Of 1 = 1 Pair
7		279118001	BOOT - 4 BUCKLE SIZE 9	1	P/N Qty. Of 1 = 1 Pair
		279118002	BOOT - 4 BUCKLE SIZE 10	1	P/N Qty. Of 1 = 1 Pair
		279118003	BOOT 4 BUCKLE SIZE 11	1	P/N Qty. Of 1 = 1 Pair
		279118004	BOOT - 4 BUCKLE SIZE 12	1	P/N Qty. Of 1 = 1 Pair
		279118005	BOOT - 4 BUCKLE SIZE 13	1	P/N Qty. Of 1 = 1 Pair
		279118006	BOOT - 4 BUCKLE SIZE 14	1	P/N Qty. Of 1 = 1 Pair
		279118007	BOOT - 4 BUCKLE SIZE 15	1	P/N Qty. Of 1 = 1 Pair
		279118008	BOOT - 4 BUCKLE SIZE 16	1	P/N Qty. Of 1 = 1 Pair
8		279119001	BOOT - ANKLE RUBBER SIZE9	1	P/N Qty. Of 1 = 1 Pair
		279119002	BOOT - ANKLE RUBBER SIZE 10	1	P/N Qty. Of 1 = 1 Pair
		279119003	BOOT - ANKLE RUBBER SIZE 11	1	P/N Qty. Of 1 = 1 Pair
		279119004	BOOT - ANKLE RUBBER SIZE 12	1	P/N Qty. Of 1 = 1 Pair
		279119005	BOOT - ANKLE RUBBER SIZE 13	1	P/N Qty. Of 1 = 1 Pair
		279119006	BOOT - ANKLE RUBBER SIZE 14	1	P/N Qty. Of 1 = 1 Pair
		279119007	BOOT - ANKLE RUBBER SIZE 15	1	P/N Qty. Of 1 = 1 Pair
		279119008	BOOT - ANKLE RUBBER SIZE 16	1	P/N Qty. Of 1 = 1 Pair

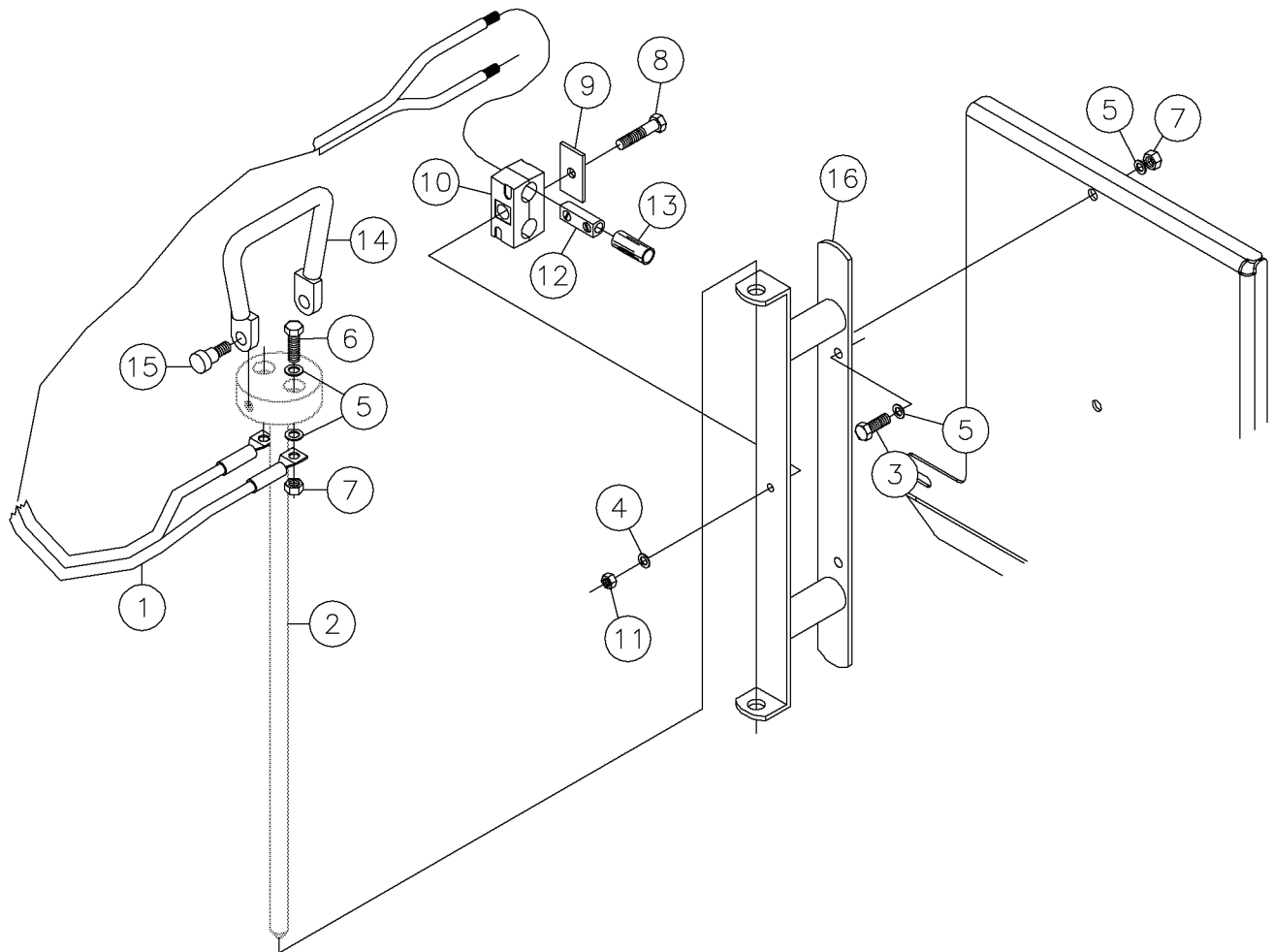
Voltage Stake Assy Fig 7-2r01



## Voltage Stake Assy Fig 7-2r01

REF. NO.	*	PART NO.	DESCRIPTION	QTY.	REMARKS
		Revision Date	May, 2005		Update In Illustration & Parts List.
1		296275120	HARNESS-ADAPTOR VOLTAGE STAKE	1	
2		234164001	HANDLE-VOLTAGE STAKE	1	
3		240056001	SCREW-SHSS-.50X.50-.38-16THD-CZ	2	
4		296275117	HARNESS-VOLTAGE STAKE	1	
5		296275118	CLAMP - #8	2	
6		235735001	BOLT-1/4-20X1 GR8 HEX ZNC PLTD	1	
7		510337603	WASHER-FLATSTD-.25-.31X.75-.07-YZ	3	
8		235732001	NUT - HEX - .25 - 20 - GR8 - YZ	1	
9		235734001	BOLT-1/4-20X3/4 GR8 ZINC PLTD	3	
10		481013	WASHER-1/4 EST. STAR	2	
11		296275107	HEAD - VOLTAGE STAKE	1	
12		904155001	VOLTAGE STAKE	1	
13		240791001	BRACKET-VOLTAGE STAKE	1	
14		235727001	BOLT-3/8-16X1 GR8 HEX ZINC PLT	2	
15		235713001	WASHER - FLATSTRL - .38 - .41 X .81 - .06-YA-A325	4	
16		235725001	NUT - HEX - .38 - 16 - GR8 - YZ	1	

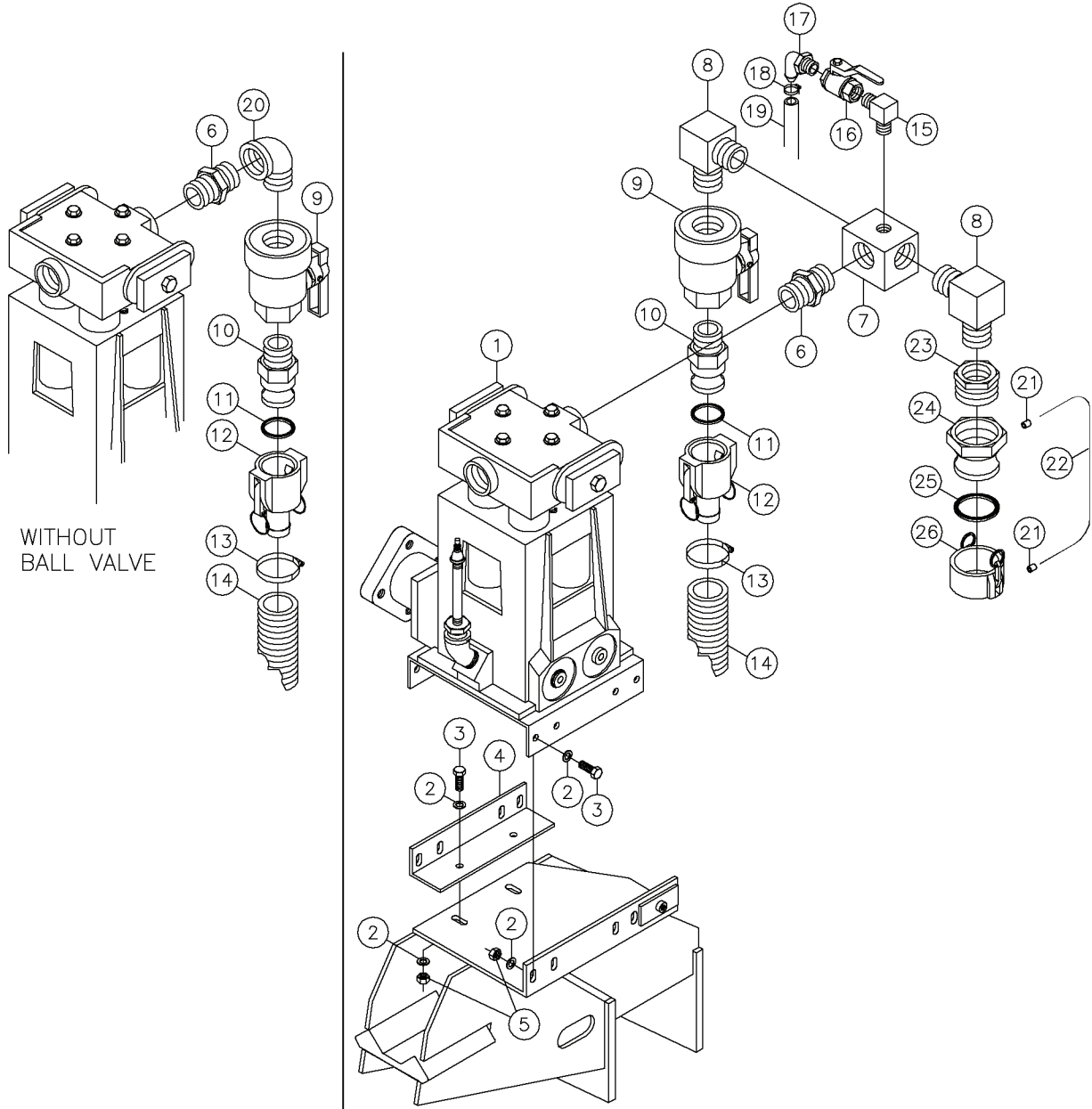
Voltage Stake Assy Fig 7-2



## Voltage Stake Assy Fig 7-2

REF. NO.	*	PART NO.	DESCRIPTION	QTY.	REMARKS
1		282078001	CABLE - 6/2GA - 23 FT W/ LUGS	1	
2		234167001	STAKE-VOLTAGE	1	
3		235727001	BOLT-3/8-16X1 GR8 HEX ZINC PLT	2	
4		235714001	WASHER - FLATSTRL - .31 - .34 X .69 - .06-YZ-A325	1	
5		235713001	WASHER - FLATSTRL - .38 - .41 X .81 - .06-YA-A325	8	
6		235736001	BOLT-3/8-16X1 1/4 ZINC PLTD	4	
7		235725001	NUT - HEX - .38 - 16 - GR8 - YZ	4	
8		248030001	BOLT-5/16-18X1 3/4 GR8 ZINC PL	1	
9		67846003	PLATE-TWIN COVER	1	
10		900035005	CLAMP-3/8"DOUBLE HOSE	2	
11		235741001	NUT - HEX - .31 - 18 - GR8 -YZ	1	
12		904355001	CONNECTOR	2	
13		208065001	SHRINK TUBE-3/4ID COMMERCL GRD	A/R	P/N Qty. Of 1 = 1 Foot
14		234164001	HANDLE-VOLTAGE STAKE	1	
15		240056001	SCREW-SHSS-.50X.50-.38-16THD-CZ	2	
16		240791001	BRACKET-VOLTAGE STAKE	1	

Water Pump Assy Fig 8-1

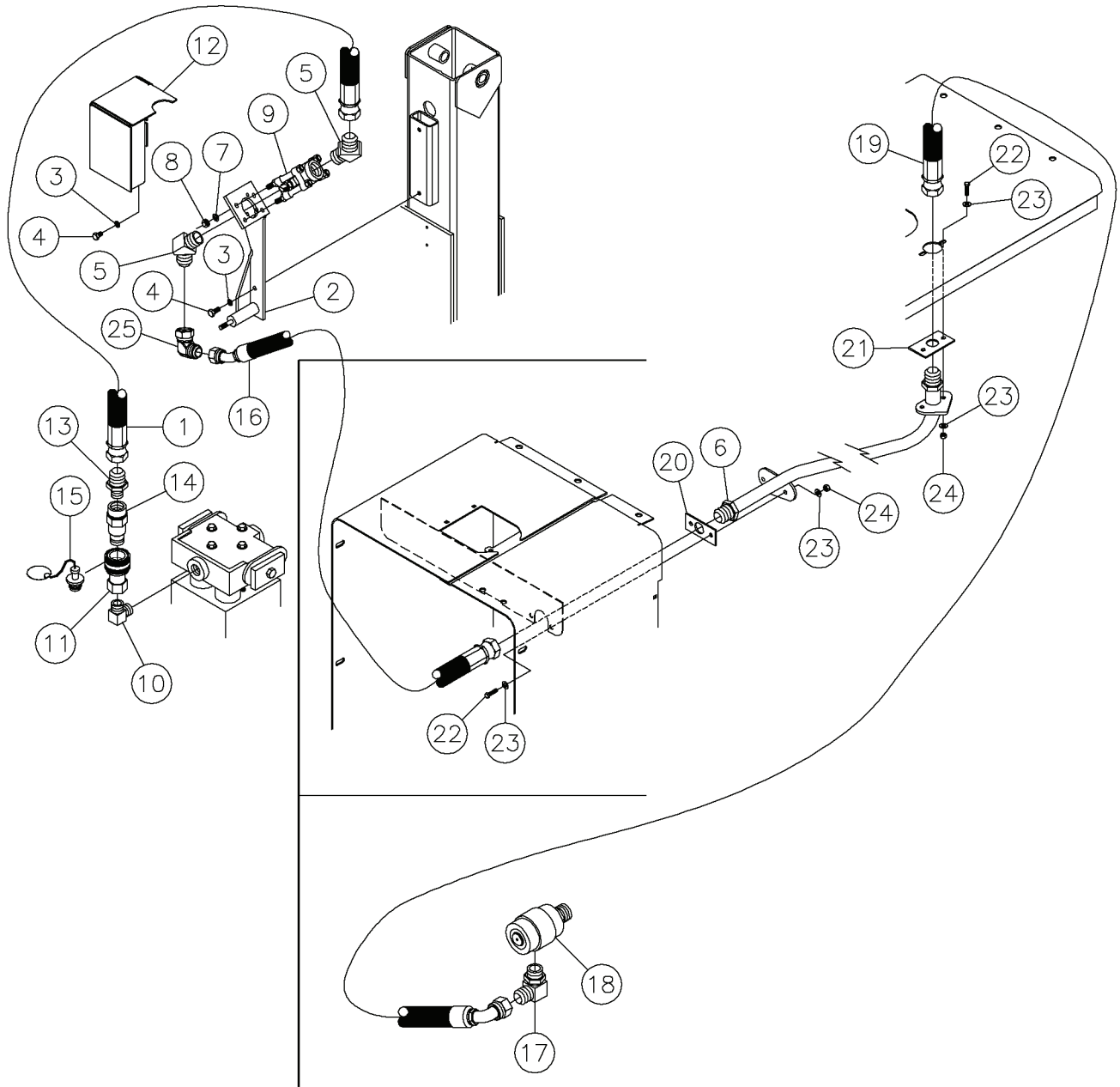




## Water Pump Assy Fig 8-1

REF. NO.	*	PART NO.	DESCRIPTION	QTY.	REMARKS
1		236318001	PUMP-13.5 GPM WATER	1	Breakdown Fig 11-13
2		235713001	WASHER-3/8 SAE HARD ZINC PLTD	20	
3		235727001	BOLT-3/8-16X1 GR8 HEX ZINC PLT	10	
4		278035001	PLATE-PUMP MOUNT SLIDE	1	
5		235725001	NUT-3/8-16 GR 8 ZIN PLTD	10	
6		119495010	FITTING-HEX NIPPLE	1	
7		278001001	MANIFOLD-WATER PUMP	1	
8		130434001	FITTING-1 1/4 NPT 90 MALE ELBOW	2	
9		236324001	VALVE-UV-125-FP BANJO	1	
10		236332001	ADAPTER-1 1/4 M NPT X 1 1/2 M CAM	1	
11		236331001	GASKET-1 1/2"	1	
12		278036001	HOSE-SHANK-1 1/2F X 1 1/2 CL PL	1	Inc Ref 11
13		1580007	HOSE CLAMP-1 1/2"	1	
14		278034001	HOSE-1.50 300 SPDM 28.00	1	
15		904831001	FITTING-1/2M NPT X 1/2 M NPT 90	1	
16		1976001	VALVE-1/2" BALL	1	
17		278032001	HOSE-BARB-1/2MPT X 1/2 90 DEG	1	
18		1580003	HOSE CLAMP-3/4"	1	
19		67355047	1/2" ID VINYL REIN. HOSE 24.00	1	
20		716011	1 1/4X90 DEG ST EL BLACK	1	
21		1838001	CONNECTOR-WIRE (ETC)	2	
22		244069001	CABLE-3/32X12" NYLON COATED	1	
23		244015001	BUSHING-2" X 1 1/4" REDUCER POLY	1	
24		244068001	COUPLING-2"F NPT X 2" CAM L POLY	1	
25		225992003	GASKET-2"	1	
26		224941001	CAP-2" CAM LOCK	1	Inc Ref 25

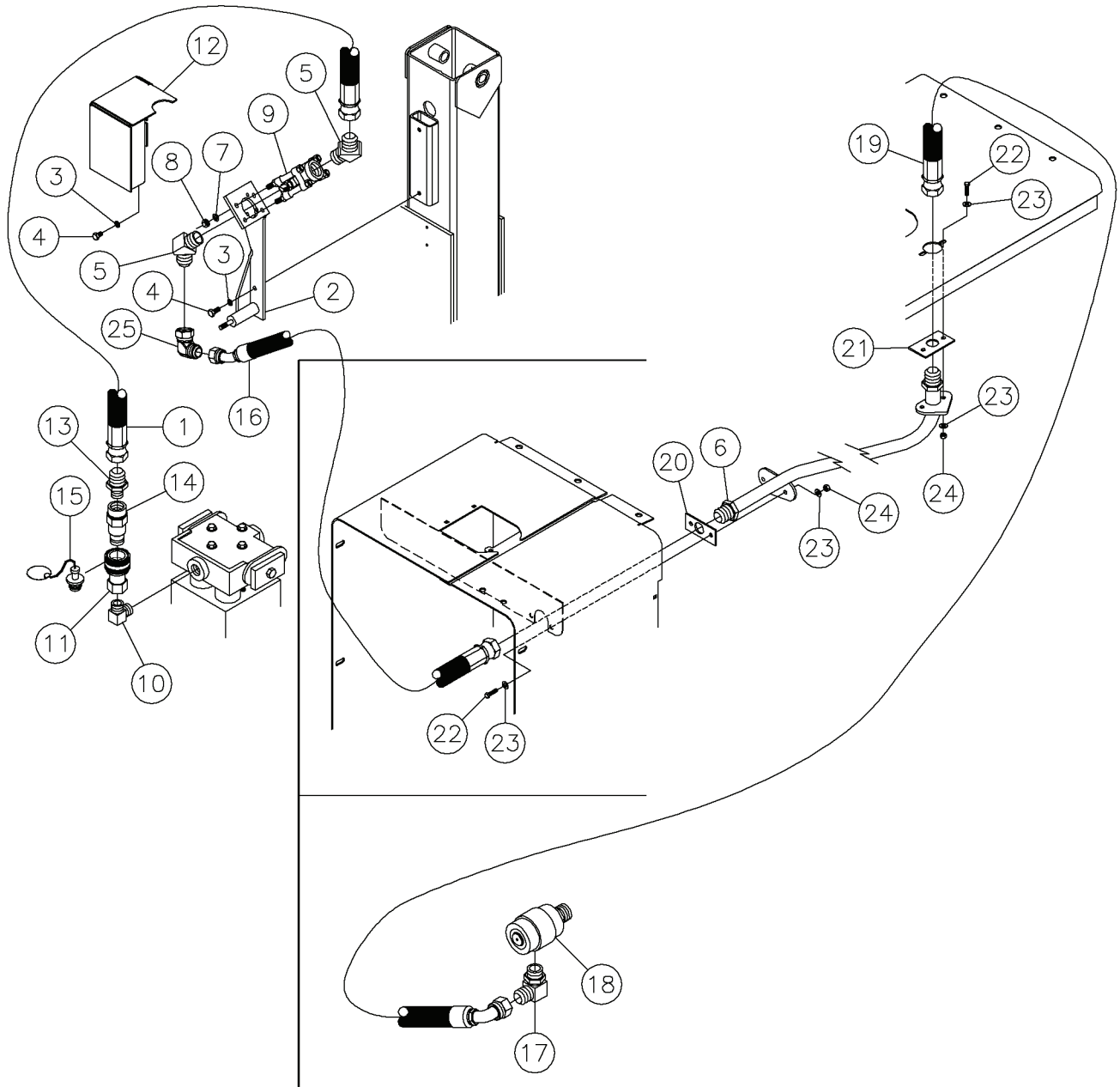
Water Shutoff Valve Assy (S/N 106 & UP) Fig 8-2r03



## Water Shutoff Valve Assy (S/N 106 &amp; UP) Fig 8-2r03

REF. NO.	*	PART NO.	DESCRIPTION	QTY.	REMARKS
		Revision Date	May, 2005		Update In Parts List.
1		296270820	HOSE- 1X72 ST/ST 16FSJIC 2000PSI	1	
2		278025001	SUPPORT-BALL VALVE	1	
3		235714001	WASHER - FLATSTRL - .31 - .34 X .69 - .06-YZ-A325	4	
4		235742001	BOLT-5/16-18X3/4 GR8 ZINC PLTD	4	
5		60904001	1M NPT X 16M JIC 45 DEG ELBOW	2	
6		296270793	TUBE WATERLINE	1	
7		235713001	WASHER - FLATSTRL - .38 - .41 X .81 - .06-YA-A325	4	
8		250508001	NUT - 3/8-NC Gr8 TOP LOCK Y/ZINC	4	
9		278003001	VALVE - 1" 1500 PSI BRASS BALL	1	Breakdown Fig. 11-11
10		123645001	FITTING-3/4NPT M ELBOW 5500-12	1	
11		221512001	COUPLER-3/4 NPT QUICK (FEMALE)	1	
12		296270751	COVER-BALL VALVE	1	
13		81692001	FITTING-3/4M NPTX16M JIC ST.	1	
14		221511001	COUPLER-3/4 NPT QUICK (MALE)	1	
15		251679001	PLUG - COUPLER	1	
16		296270819	HOSE- 1X53 ST/45 16FSJIC 2000PSI	1	
17		61703001	FITTING-90-16MJ-16MORBA	1	
18		296269258	SWIVEL-16MORB WATER	1	
		296267178	SEAL KIT	1	Inc Instruktion Sheet
		296267179	SEAL INSTALLATION CONE	1	
		296267180	RESIZING TOOL	1	
19		296270892	HOSE-HYD-1X166 16FSJIC ST/45 2000PSI	1	
20		296270807	PAD-TUBE AIR	1	
21		296270808	PAD-TUBE AIR	1	
22		238209001	BOLT-5/16-18X1 GR8 HEX ZINC YC	4	
23		510337605	WASHER-FLATSTD-.31-.38X.88-.08-YZ	8	
24		240333001	NUT-5/16-18 GR8 TL ZINC PLTD	4	
25		60905001	FITTING-16M JICX16FS JIC 90 DEG ELBOW	1	

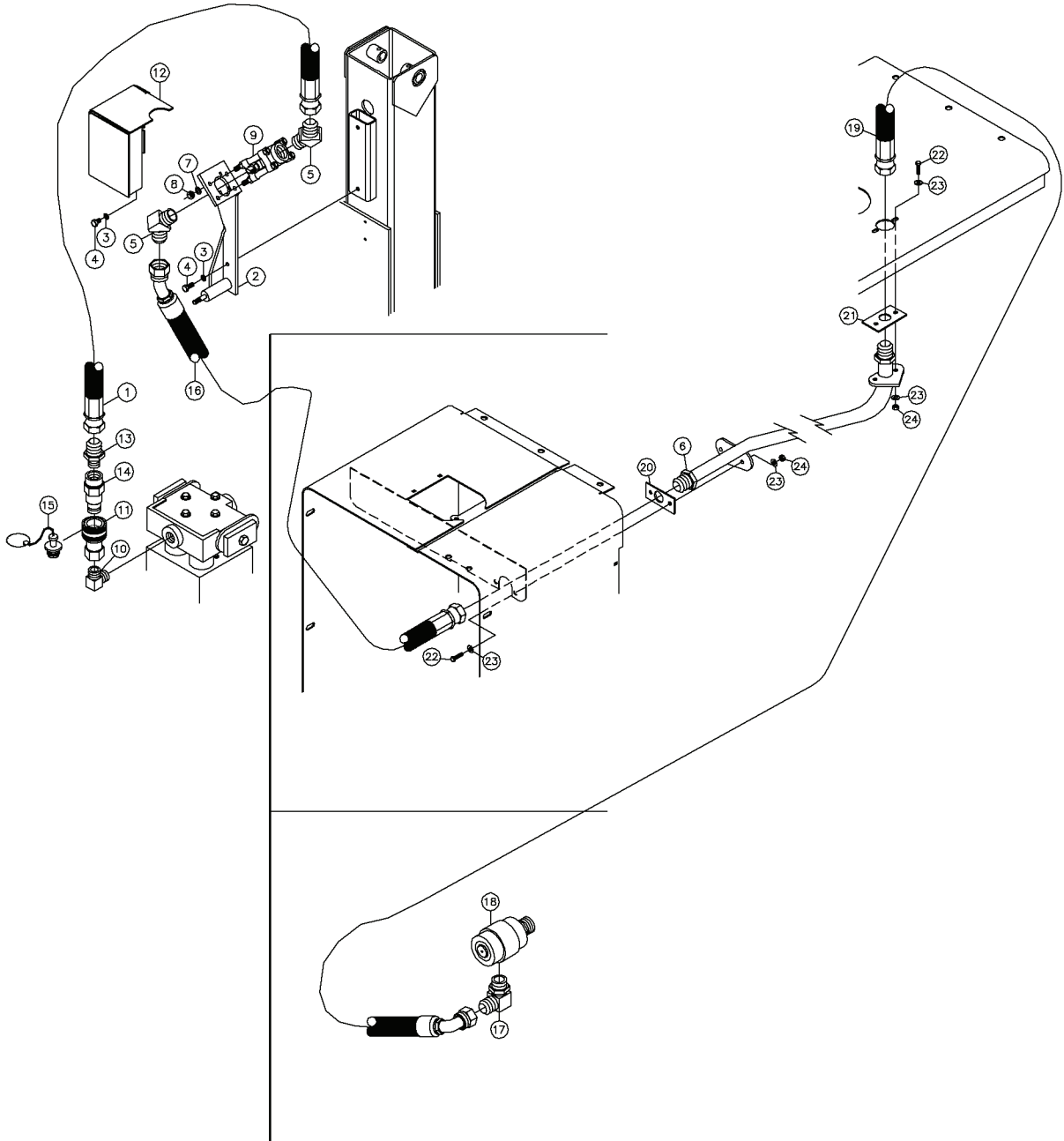
Water Shutoff Valve Assy (S/N 106 & UP) Fig 8-2r02



## Water Shutoff Valve Assy (S/N 106 &amp; UP) Fig 8-2r02

REF. NO.	*	PART NO.	DESCRIPTION	QTY.	REMARKS
		Revision Date	June, 2004		Update In Illustration & Parts List.
1		296260479	HOSE - 1 X 67 16FSJIC ST/ST 2350PSI	1	
2		278025001	SUPPORT-BALL VALVE	1	
3		235714001	WASHER - FLATSTRL - .31 - .34 X .69 - .06-YZ-A325	4	
4		235742001	BOLT-5/16-18X3/4 GR8 ZINC PLTD	4	
5		60904001	1M NPT X 16M JIC 45 DEG ELBOW	2	
6		296270793	TUBE WATERLINE	1	
7		235713001	WASHER - FLATSTRL - .38 - .41 X .81 - .06-YA-A325	4	
8		250508001	NUT - 3/8-NC Gr8 TOP LOCK Y/ZINC	4	
9		278003001	VALVE - 1" 1500 PSI BRASS BALL	1	Breakdown Fig. 11-11
10		123645001	FITTING-3/4NPT M ELBOW 5500-12	1	
11		221512001	COUPLER-3/4 NPT QUICK (FEMALE)	1	
12		296270751	COVER-BALL VALVE	1	
13		81692001	FITTING-3/4M NPTX16M JIC ST.	1	
14		221511001	COUPLER-3/4 NPT QUICK (MALE)	1	
15		251679001	PLUG - COUPLER	1	
16		296260481	HOSE - 1X64 ST/45 16FSJIC 2000PSI	1	
17		61703001	FITTING-90-16MJ-16MORBA	1	
18		296269258	SWIVEL-16MORB WATER	1	
		296267178	SEAL KIT	1	Inc Instruktion Sheet
		296267179	SEAL INSTALLATION CONE	1	
		296267180	RESIZING TOOL	1	
19		296260480	HOSE - 1X228 ST/45 16FSJIC 2000PSI SLVD	1	
20		296270807	PAD-TUBE AIR	1	
21		296270808	PAD-TUBE AIR	1	
22		238209001	BOLT-5/16-18X1 GR8 HEX ZINC YC	4	
23		510337605	WASHER-FLATSTD-.31-.38X.88-.08-YZ	8	
24		240333001	NUT-5/16-18 GR8 TL ZINC PLTD	4	
25		60905001	FITTING-16M JICX16FS JIC 90 DEG ELBOW	1	

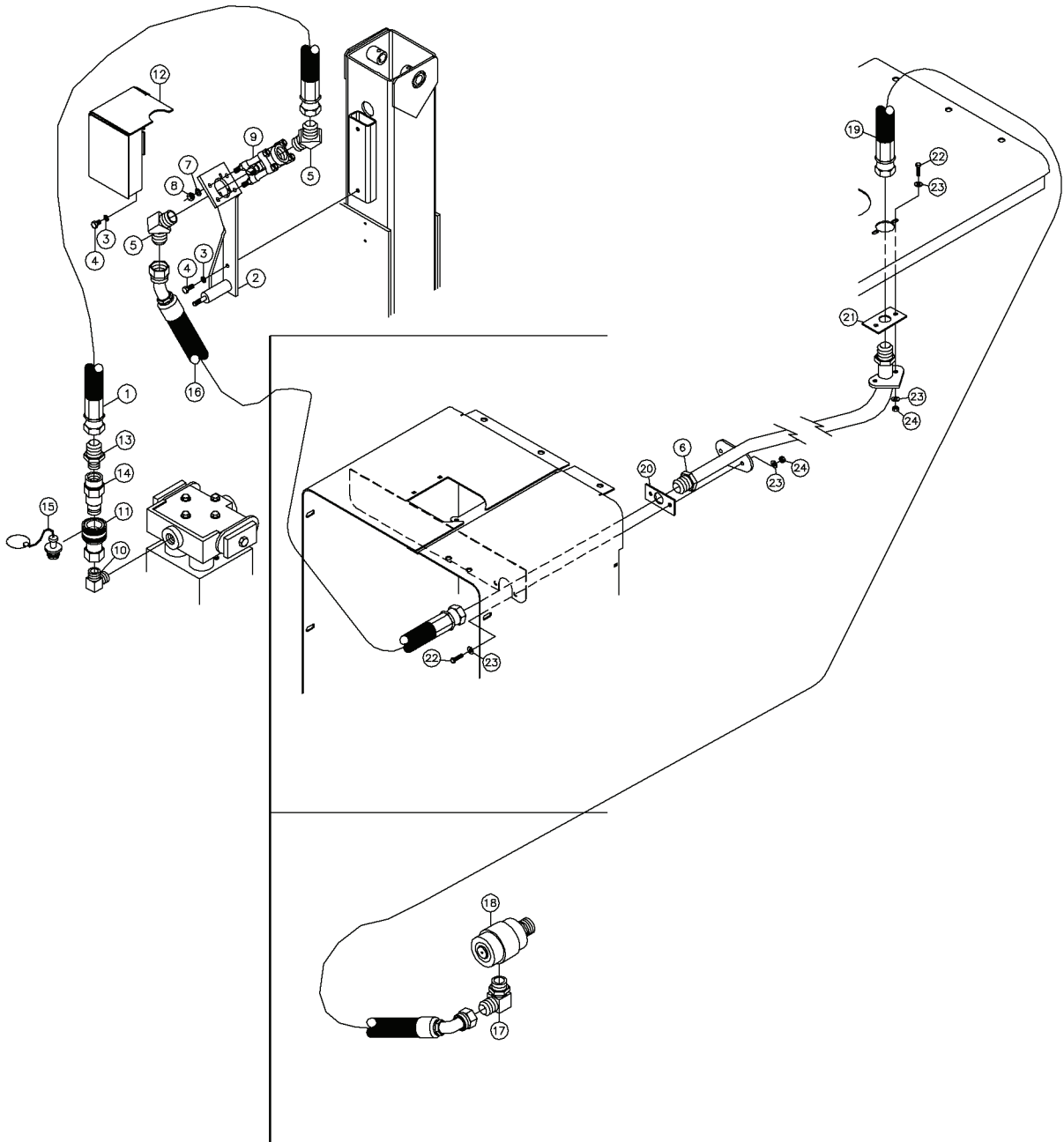
Water Shutoff Valve Assy (S/N 106 & UP) Fig 8-2r01



## Water Shutoff Valve Assy (S/N 106 &amp; UP) Fig 8-2r01

REF. NO.	*	PART NO.	DESCRIPTION	QTY.	REMARKS
		Revision Date	February, 2004		Update In Illustration & Parts List.
1		296260479	HOSE - 1 X 67 16FSJIC ST/ST 2350PSI	1	
2		278025001	SUPPORT-BALL VALVE	1	
3		235714001	WASHER - FLATSTRL - .31 - .34 X .69 - .06-YZ-A325	4	
4		235742001	BOLT-5/16-18X3/4 GR8 ZINC PLTD	4	
5		60904001	1M NPT X 16M JIC 45 DEG ELBOW	2	
6		296270793	TUBE WATERLINE	1	
7		235713001	WASHER - FLATSTRL - .38 - .41 X .81 - .06-YA-A325	4	
8		250508001	NUT - 3/8-NC Gr8 TOP LOCK Y/ZINC	4	
9		278003001	VALVE - 1" 1500 PSI BRASS BALL	1	Breakdown Fig
10		123645001	FITTING-3/4NPT M ELBOW 5500-12	1	
11		221512001	COUPLER-3/4 NPT QUICK (FEMALE)	1	
12		296270751	COVER-BALL VALVE	1	
13		81692001	FITTING-3/4M NPTX16M JIC ST.	1	
14		221511001	COUPLER-3/4 NPT QUICK (MALE)	1	
15		251679001	PLUG - COUPLER	1	
16		296260481	HOSE - 1X64 ST/45 16FSJIC 2000PSI	1	
17		61703001	FITTING-90-16MJ-16MORBA	1	
18		296269258	SWIVEL-16MORB WATER	1	
		296267178	SEAL KIT	1	Inc Insruction Sheet
		296267179	SEAL INSTALLATION CONE	1	
		296267180	RESIZING TOOL	1	
19		296260480	HOSE - 1X228 ST/45 16FSJIC 2000PSI SLVD	1	
20		296270807	PAD-TUBE AIR	1	
21		296270808	PAD-TUBE AIR	1	
22		238209001	BOLT-5/16-18X1 GR8 HEX ZINC YC	4	
23		510337605	WASHER-FLATSTD-.31-.38X.88-.08-YZ	8	
24		240333001	NUT-5/16-18 GR8 TL ZINC PLTD	4	

Water Shutoff Valve Assy (S/N 106 & UP) Fig 8-2

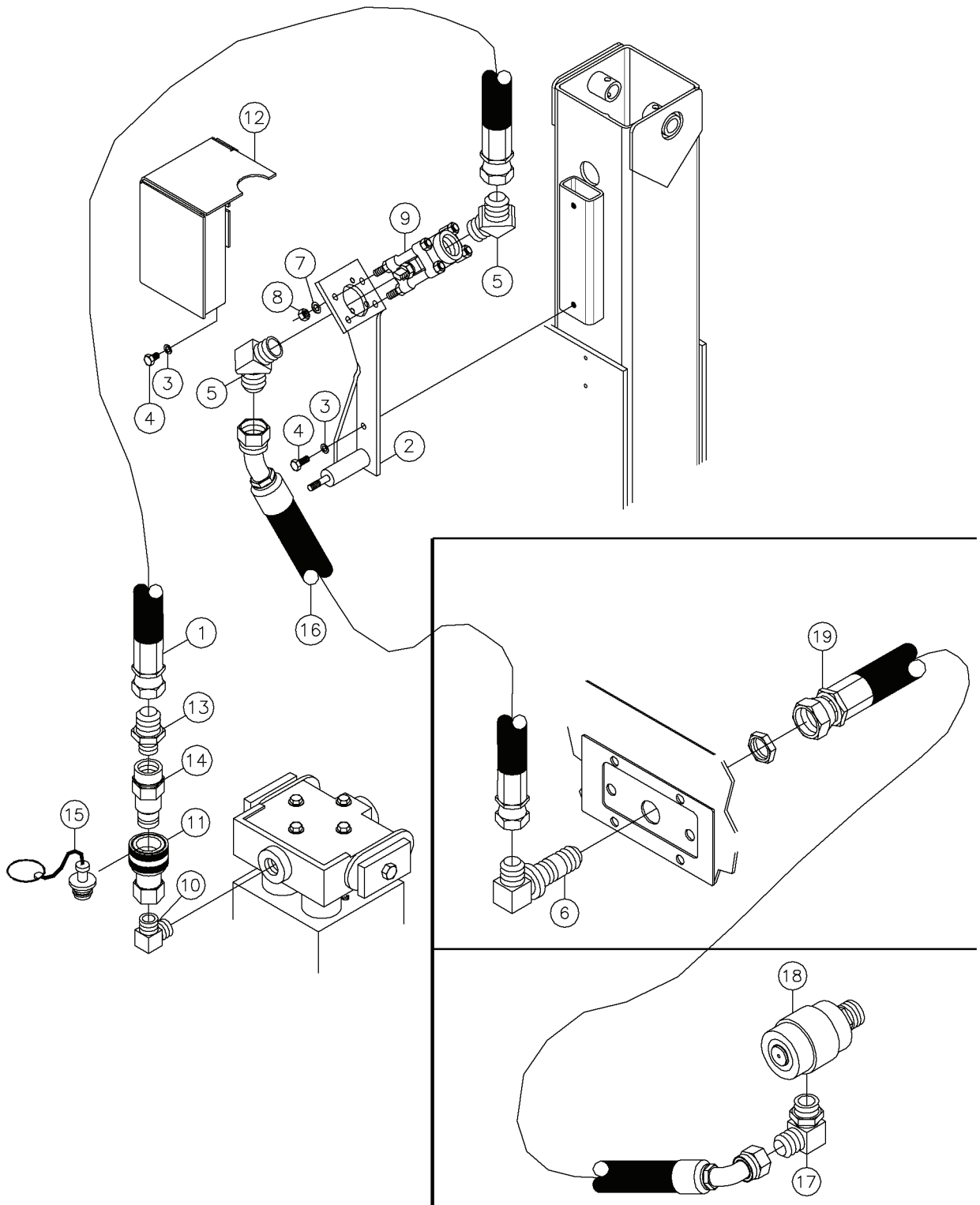




## Water Shutoff Valve Assy (S/N 106 &amp; UP) Fig 8-2

REF. NO.	*	PART NO.	DESCRIPTION	QTY.	REMARKS
1		296260479	HOSE - 1 X 67 16FSJIC ST/ST 2350PSI	1	
2		278025001	SUPPORT-BALL VALVE	1	
3		235714001	WASHER - FLATSTRL - .31 - .34 X .69 - .06-YZ-A325	4	
4		235742001	BOLT-5/16-18X3/4 GR8 ZINC PLTD	4	
5		60904001	1M NPT X 16M JIC 45 DEG ELBOW	2	
6		296270793	TUBE WATERLINE	1	
7		235713001	WASHER - FLATSTRL - .38 - .41 X .81 - .06-YA-A325	4	
8		250508001	NUT - 3/8-NC Gr8 TOP LOCK Y/ZINC	4	
9		278003001	VALVE - 1" 1500 PSI BRASS BALL	1	Breakdown Fig
10		123645001	FITTING-3/4NPT M ELBOW 5500-12	1	
11		221512001	COUPLER-3/4 NPT QUICK (FEMALE)	1	
12		296270751	COVER-BALL VALVE	1	
13		81692001	FITTING-3/4M NPTX16M JIC ST.	1	
14		221511001	COUPLER-3/4 NPT QUICK (MALE)	1	
15		251679001	PLUG - COUPLER	1	
16		296260481	HOSE - 1X64 ST/45 16FSJIC 2000PSI	1	
17		61703001	FITTING-90-16MJ-16MORBA	1	
18		296269258	SWIVEL-16MORB WATER	1	
		296267178	SEAL KIT	1	Inc Intsruction Sheet
		296267179	SEAL INSTALLATION CONE	1	
		296267180	RESIZING TOOL	1	
19		296260480	HOSE - 1X228 ST/45 16FSJIC 2000PSI SLVD	1	
20		296270807	PAD-TUBE AIR	1	
21		296270808	PAD-TUBE AIR	1	
22		238209001	BOLT-5/16-18X1 GR8 HEX ZINC YC	4	
23		510337605	WASHER-FLATSTD-.31-.38X.88-.08-YZ	8	
24		240333001	NUT-5/16-18 GR8 TL ZINC PLTD	4	

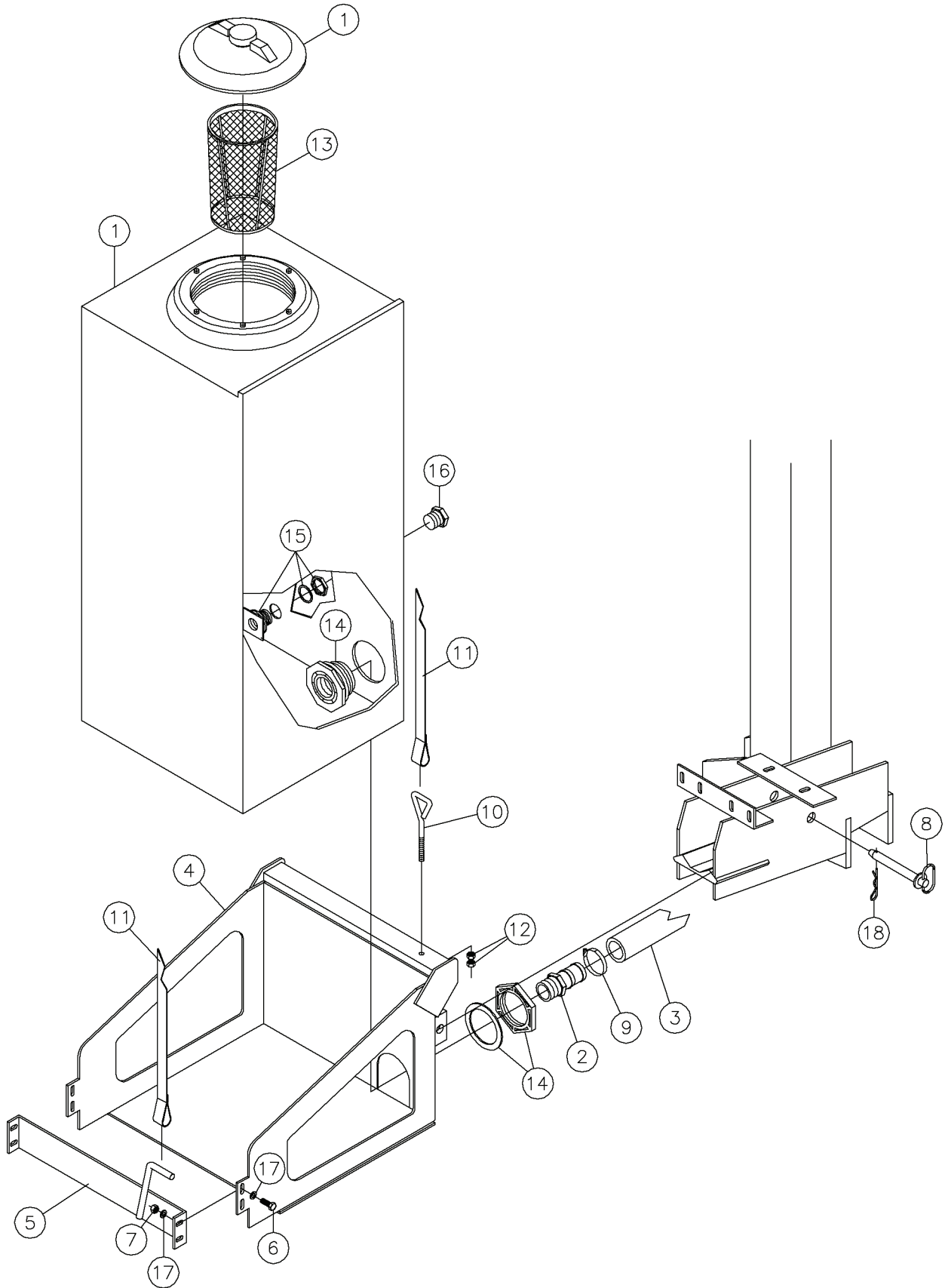
Water Shutoff Valve Assy (S/N 101-105) Fig 8-2s01



## Water Shutoff Valve Assy (S/N 101-105) Fig 8-2s01

REF. NO.	*	PART NO.	DESCRIPTION	QTY.	REMARKS
1		296270820	HOSE- 1X72 ST/ST 16FSJIC 2000PSI	1	
2		278025001	SUPPORT-BALL VALVE	1	
3		235714001	WASHER - FLATSTRL - .31 - .34 X .69 - .06-YZ-A325	4	
4		235742001	BOLT-5/16-18X3/4 GR8 ZINC PLTD	4	
5		60904001	1M NPT X 16M JIC 45 DEG ELBOW	2	
6		81785001	FIT-16M BULKHEAD JICX16M JIC90	1	
7		235713001	WASHER - FLATSTRL - .38 - .41 X .81 - .06-YA-A325	4	
8		250508001	NUT - 3/8-NC Gr8 TOP LOCK Y/ZINC	4	
9		278003001	VALVE - 1" 1500 PSI BRASS BALL	1	Breakdown Fig
10		123645001	FITTING-3/4NPT M ELBOW 5500-12	1	
11		221512001	COUPLER-3/4 NPT QUICK (FEMALE)	1	
12		296270751	COVER-BALL VALVE	1	
13		81692001	FITTING-3/4M NPTX16M JIC ST.	1	
14		221511001	COUPLER-3/4 NPT QUICK (MALE)	1	
15		251679001	PLUG - COUPLER	1	
16		296260481	HOSE - 1X64 ST/45 16FSJIC 2000PSI	1	
17		61703001	FITTING-90-16MJ-16MORBA	1	
18		296269258	SWIVEL-16MORB WATER	1	
		296267178	SEAL KIT	1	Inc Instruction Sheet
		296267179	SEAL INSTALLATION CONE	1	
		296267180	RESIZING TOOL	1	
19		296260480	HOSE - 1X228 ST/45 16FSJIC 2000PSI SLVD	1	

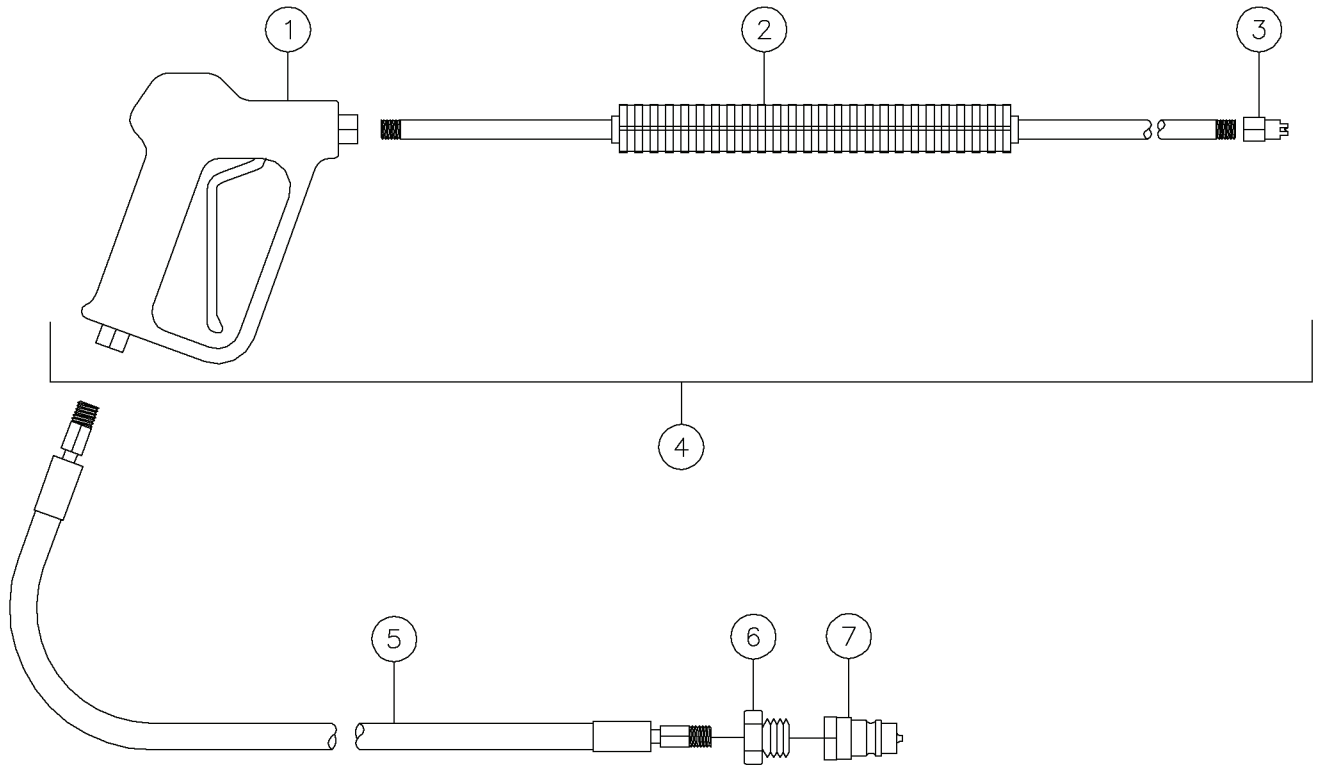
Water Tank Assy Fig 8-3



## Water Tank Assy Fig 8-3

REF. NO.	*	PART NO.	DESCRIPTION	QTY.	REMARKS
1		236315001	TANK-55 GALLON WATER	1	Inc Ref No's 13-16
2		236322001	FITTING-1 1/2"MNPTX1 1/2"HBPOL	1	
3		278034001	HOSE-1.50 300 EPDM 28"	1	
4		245247001	MOUNT-WATER TANK	1	
5		236416001	SUPPORT-TANK	1	
6		235727001	BOLT-3/8-16X1 GR8 HEX ZINC PLT	4	
7		235725001	NUT-3/8-16 GR8 ZINC PLTD	4	
8		2107007	PIN-HITCH 3/4 X 6	1	
9		1580007	HOSE CLAMP - 1 1/2"	1	
10		903862001	BOLT-WATER TANK HOLD DOWN	1	
11		287697001	STRAP - 2 X 73.5 TANK	1	
12		412001	NUT-3/8 NC HEX	2	
13		225854001	STRAINER-BASKET	1	
14		215433001	BULKHEAD FITTING-1 1/2" (POLY)	1	
15		219110005	1"BULKHEAD	1	
16		236441001	PLUG-1NPT POLY HEX HEAD	1	
17		235713001	WASHER-3/8 SAE HARD ZINC PLTD	8	
18		1794003	HAIR PIN COTTER - .148 WIRE	1	

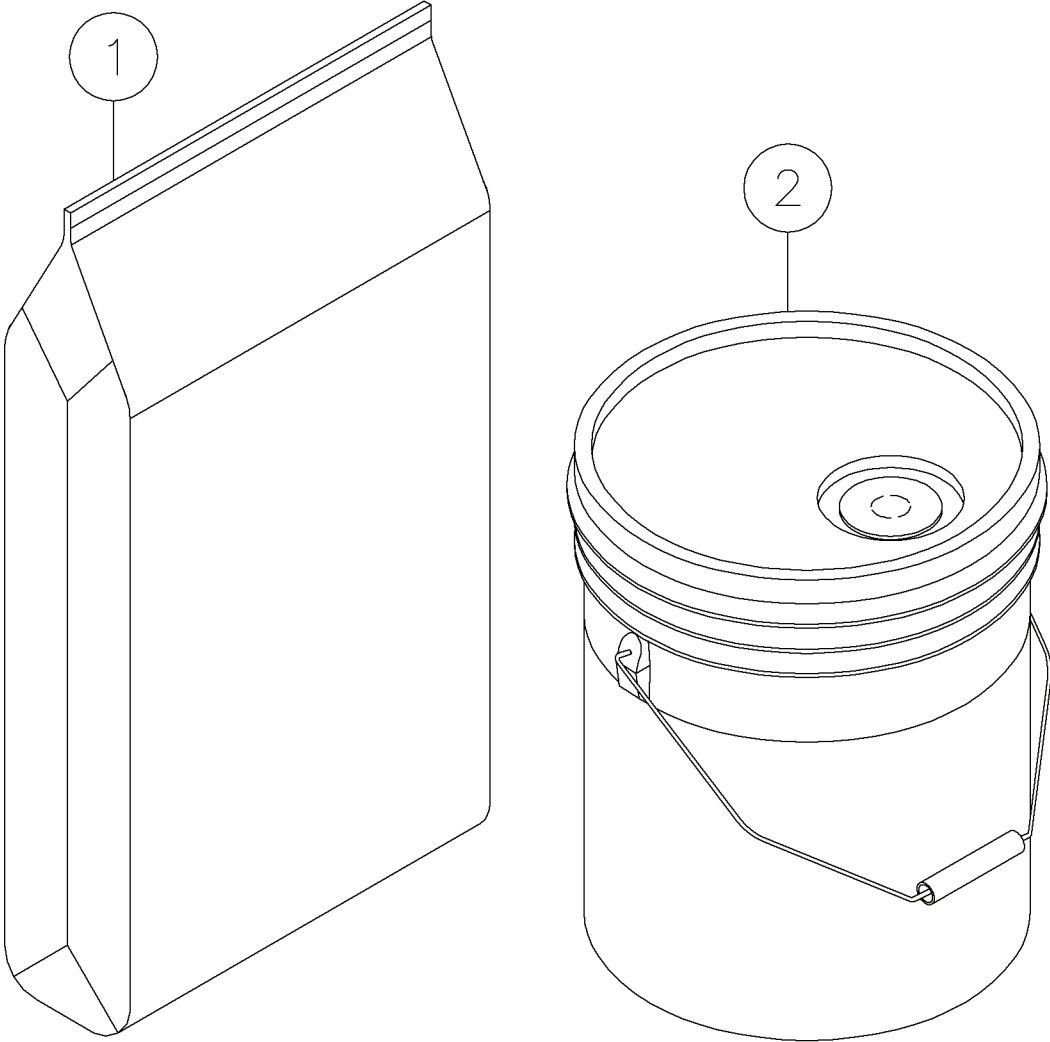
Wand Assy Fig 8-4



Wand Assy Fig 8-4

REF. NO.	*	PART NO.	DESCRIPTION	QTY.	REMARKS
1		904578001	GUN HANDLE	1	
2		904577001	MOLDED LANCE	1	
3		904576001	SPRAY NOZZLE	1	
4		285927001	GUN ASSY	1	Inc. Ref. 1-3
5		282761001	HOSE-3/8X500 3/8M SMPT 1 1/2M NPT 100R2	1	
6		730011	3/4"X1/2" HEX BUSHING STEEL ZNC PLTD	1	
7		221511001	COUPLER-3/4 NPT QUICK (MALE)	1	
		240264001	WAND ASSEMBLY		Includes All Items In Figure

Drill Fluid Fig 8-5

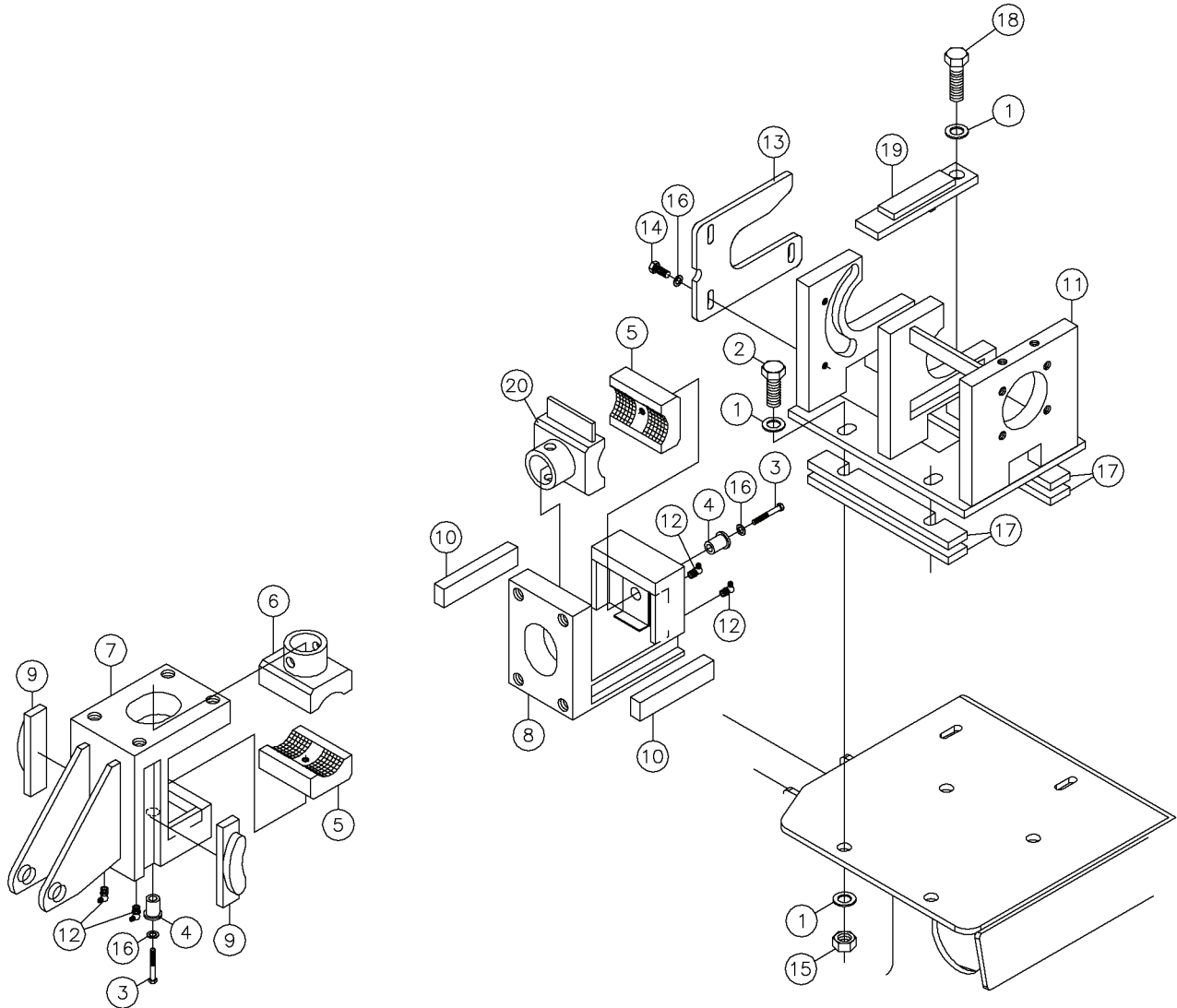




## Drill Fluid Fig 8-5

REF. NO.	*	PART NO.	DESCRIPTION	QTY.	REMARKS
1		904882001	50LBS BAG QUICK GELL BENTONITE	1	
		123596001	BORE-GEL (50 LB BAG)	1	
2		905216001	POLYMER	1	
		123595001	EZ-MUD - 5 GALLON	1	

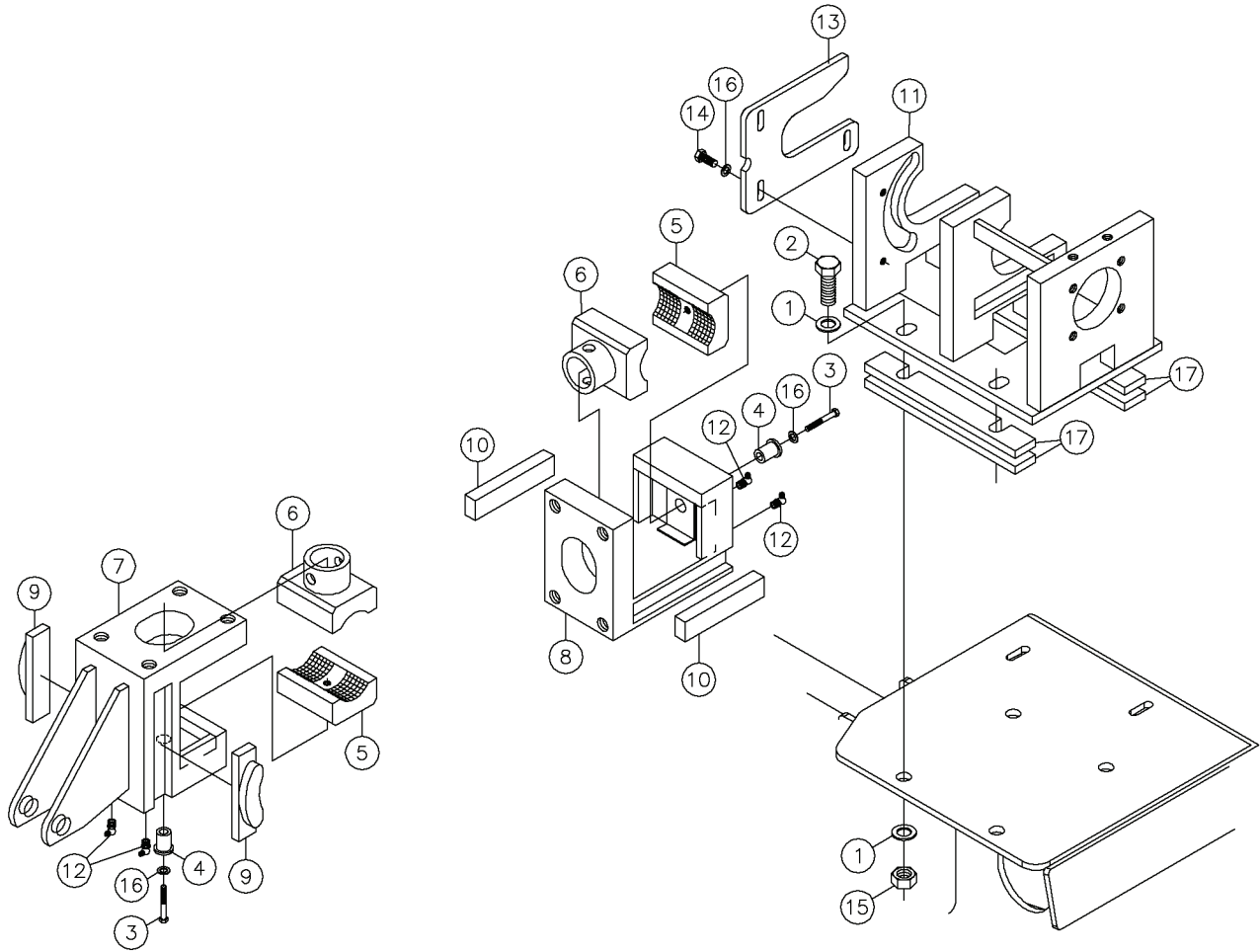
Clamp Assy Fig 9-1r02



## Clamp Assy Fig 9-1r02

REF. NO.	*	PART NO.	DESCRIPTION	QTY.	REMARKS
		Revision Date	May, 2005		Update In Illustration & Parts List.
1		235717001	WASHER-3/4 SAE HARD ZINC PLTD	4	
2		235746001	BOLT-3/4-10X2 G48 HEX ZNC PLTD	3	
3		235720001	BOLT-3/8-16X1 3/4 6R8 ZINC PLT	2	
4		228064001	INSERT-FASTENER	2	
5		236111001	JAW-1.90 STEM	2	Use With 1.90" Drill Rod
		296279701	JAW - 2.06 STEM	2	Use With 2.06" Drill Rod
6		236112001	JAW-1.90 STEM	1	Use With 1.90" Drill Rod
		296279702	JAW - 2.06 STEM	1	Use With 2.06" Drill Rod
7		246386001	PLATE-CLAMP	1	
8		235414001	BAR-CLAMP	1	
9		232449001	PIVOT-SLIDE	2	
10		232456001	BAR SLIDE	2	
11		250250001	FRAME CLAMP WELDMENT	1	
12		590001	ZERK-1/8" NPT 90 DEG GREASE	2	
13		282107001	PLATE-ROD CENTERING	1	
14		235736001	BOLT-3/8-16X1 1/4 ZINC PLTD	3	
15		235739001	NUT-3/4-10 GR8 ZINC PLTD	4	
16		235713001	WASHER-FLATSTRL-.38-.41X.81-.06-YA-A325	5	
17		236110001	PLATE-CLAMP SHIM	4	
18		238880001	BOLT-3/4-10X2 1/2 HHCS GR8 ZY	1	
19		296272013	SHIM - VISE	1	
20		250272001	JAW-1.90 STEM	1	Use With 1.90" Drill Rod
		296279704	JAW - 2.06 STEM	1	Use With 2.06" Drill Rod

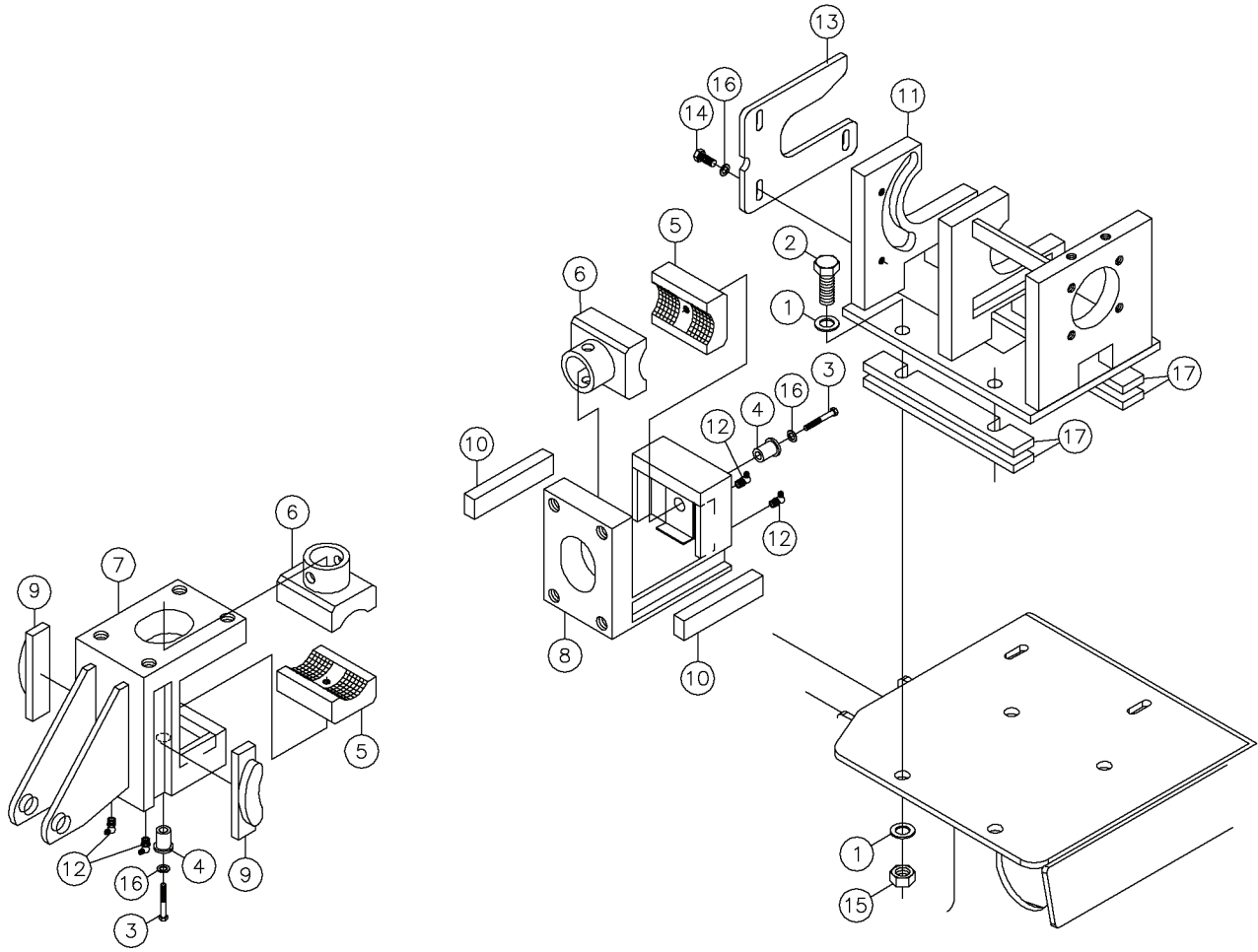
Clamp Assy Fig 9-1r01



## Clamp Assy Fig 9-1r01

REF. NO.	*	PART NO.	DESCRIPTION	QTY.	REMARKS
		Revision Date	June, 2004		Update In Illustration.
1		235717001	WASHER-3/4 SAE HARD ZINC PLTD	4	
2		235746001	BOLT-3/4-10X2 G48 HEX ZNC PLTD	4	
3		235720001	BOLT-3/8-16X1 3/4 6R8 ZINC PLT	2	
4		228064001	INSERT-FASTENER	2	
5		236111001	JAW-1.90 STEM	2	
6		236112001	JAW-1.90 STEM	1	
7		246386001	PLATE-CLAMP	1	
8		235414001	BAR-CLAMP	1	
9		232449001	PIVOT-SLIDE	2	
10		232456001	BAR SLIDE	2	
11		250250001	FRAME CLAMP WELDMENT	1	
12		590001	ZERK-1/8" NPT 90 DEG GREASE	2	
13		282107001	PLATE-ROD CENTERING	1	
14		235736001	BOLT-3/8-16X1 1/4 ZINC PLTD	3	
15		235739001	NUT-3/4-10 GR8 ZINC PLTD	4	
16		235713001	WASHER-FLATSTRL-.38-.41X.81-.06-YA-A325	5	
17		236110001	PLATE-CLAMP SHIM	2	

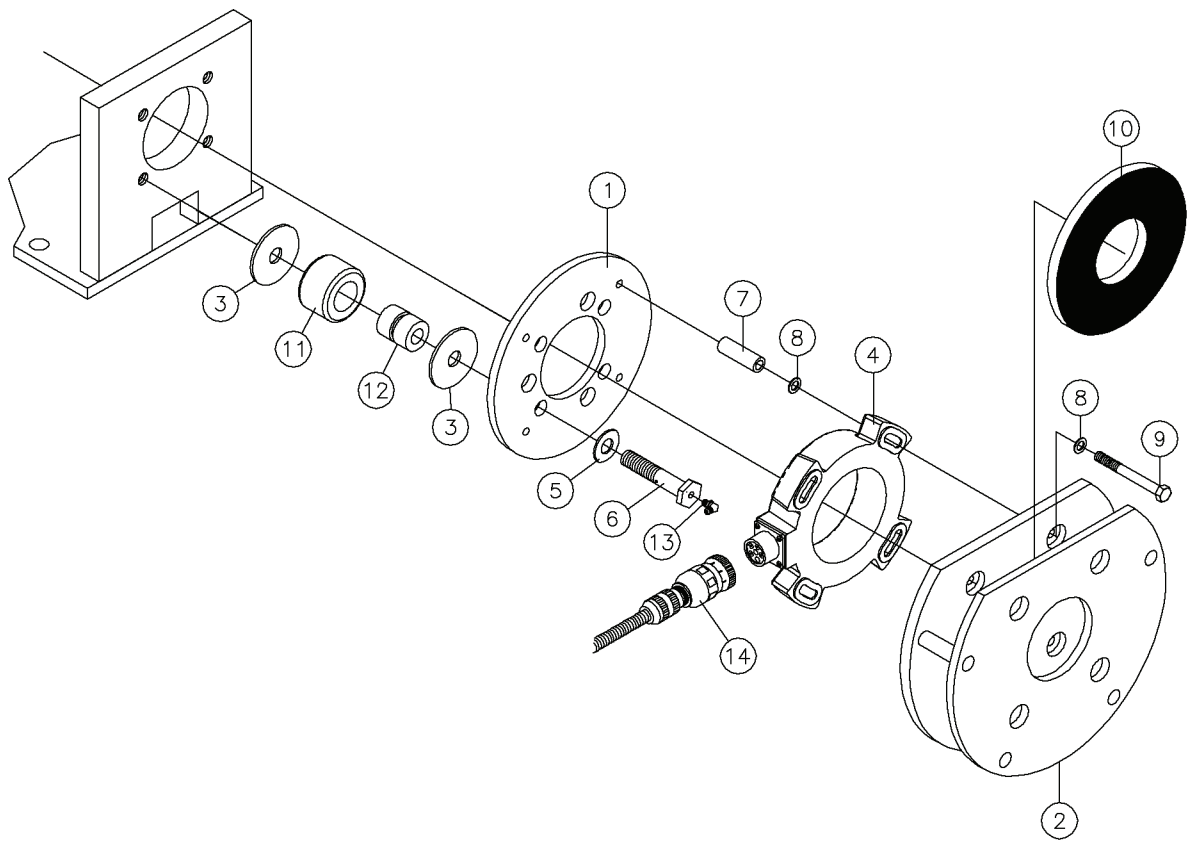
Clamp Assy Fig 9-1



## Clamp Assy Fig 9-1

REF. NO.	*	PART NO.	DESCRIPTION	QTY.	REMARKS
1		235717001	WASHER-3/4 SAE HARD ZINC PLTD	4	
2		235746001	BOLT-3/4-10X2 G48 HEX ZNC PLTD	4	
3		235720001	BOLT-3/8-16X1 3/4 6R8 ZINC PLT	2	
4		228064001	INSERT-FASTENER	2	
5		236111001	JAW-1.90 STEM	2	
6		236112001	JAW-1.90 STEM	1	
7		246386001	PLATE-CLAMP	1	
8		235414001	BAR-CLAMP	1	
9		232449001	PIVOT-SLIDE	2	
10		232456001	BAR SLIDE	2	
11		250250001	FRAME CLAMP WELDMENT	1	
12		590001	ZERK-1/8" NPT 90 DEG GREASE	2	
13		282107001	PLATE-ROD CENTERING	1	
14		235736001	BOLT-3/8-16X1 1/4 ZINC PLTD	3	
15		235739001	NUT-3/4-10 GR8 ZINC PLTD	4	
16		235713001	WASHER-FLATSTRL-.38-.41X.81-.06-YA-A325	5	
17		236110001	PLATE-CLAMP SHIM	2	

Zap Alert Coil Assy (Sn 106 & UP) Fig 9-2r03

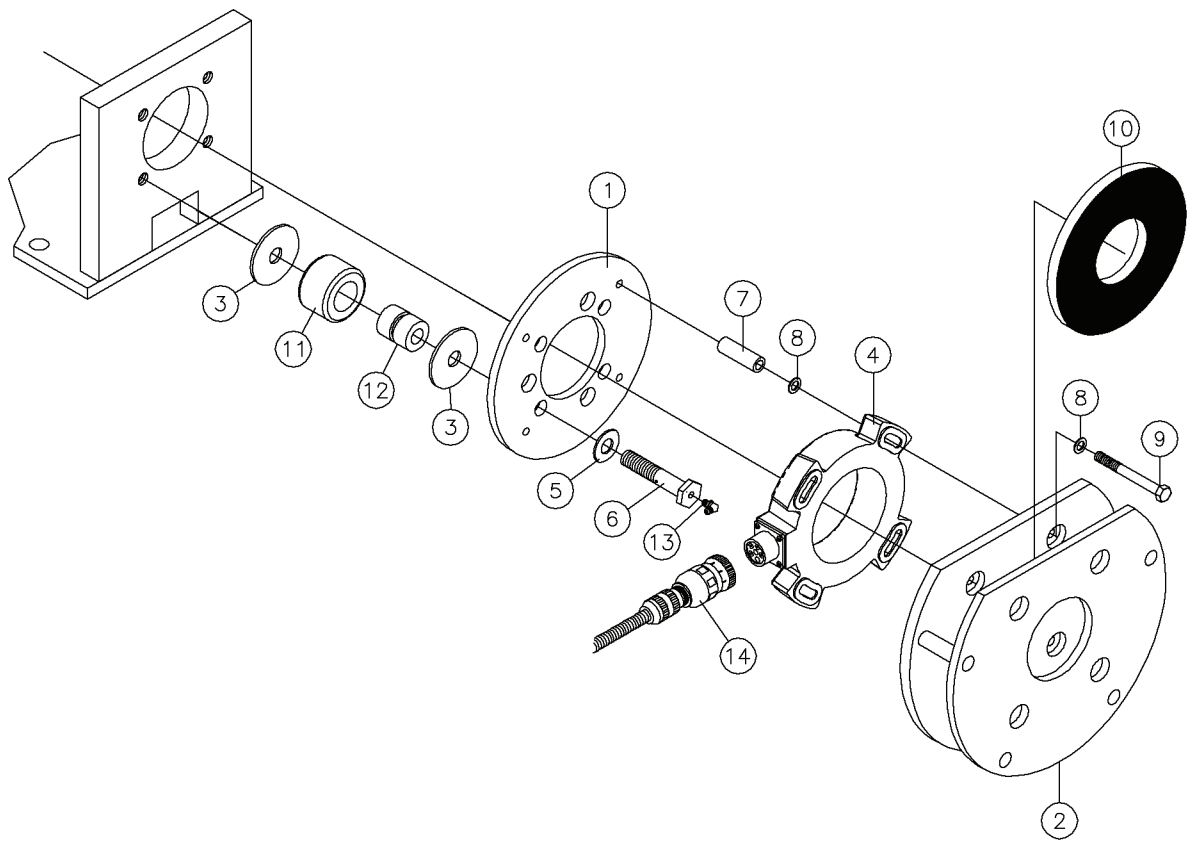




## Zap Alert Coil Assy (Sn 106 &amp; UP) Fig 9-2r03

REF. NO.	*	PART NO.	DESCRIPTION	QTY.	REMARKS
		Revision Date	May, 2006		Update In Illustration & Parts List.
1		232462001	PLATE-MOUNT	1	
2		236351001	MOUNT-ROD WIPER	1	
3	*	485015	WASHER	1	
4		296272742	STRIKE ALERT - 4" COIL ASSEMBLY	1	
5		235715001	WASHER-5/8 SAE HARD ZINC PLTD	4	
6		236376001	BOLT-ROLLER GREASE @26184	4	
7		296280269	TUBE-5/8 ODX11GA.-1 15/16"	1	
8		235713001	WASHER-3/8 SAE HARD ZINC PLTD	8	
9		240377001	BOLT-3/8-16X3 1/4 GR8 ZINC PLT	4	
10		235922001	WIPER-1.90 OD ROD	1	Use With 1.90" Drill Rod
		235923001	WIPER-2.06 OD ROD	1	Use With 2.06" Drill Rod
11		296279700	ROLLER-GUIDE	4	
12		236377001	BUSHING-GUIDE ROLLER	4	
13		597001	ZERK-1/4" NF 90 DEG GREASE	4	
14		296280323	HARNES-STRKE ALERT COIL	1	

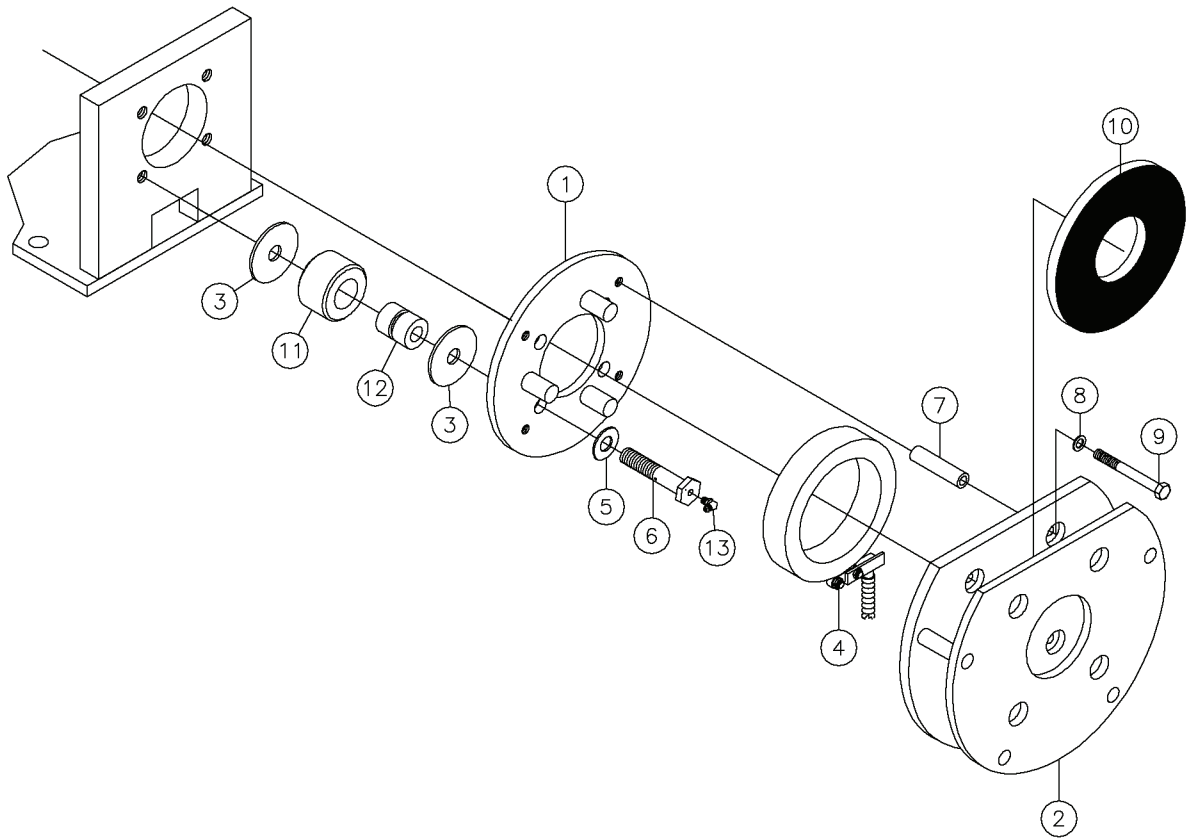
Zap Alert Coil Assy (Sn 106 & UP) Fig 9-2r02



## Zap Alert Coil Assy (Sn 106 &amp; UP) Fig 9-2r02

REF. NO.	*	PART NO.	DESCRIPTION	QTY.	REMARKS
		Revision Date	May, 2005		Update In Illustration & Parts List.
1		232462001	PLATE-MOUNT	1	
2		236351001	MOUNT-ROD WIPER	1	
3		296266527	RING-ROD GUIDED WEAR	1	
4		296272742	STRIKE ALERT - 4" COIL ASSEMBLY	1	
5		235715001	WASHER-5/8 SAE HARD ZINC PLTD	4	
6		236376001	BOLT-ROLLER GREASE @26184	4	
7		296280269	TUBE-5/8 ODX11GA.-1 15/16"	1	
8		235713001	WASHER-3/8 SAE HARD ZINC PLTD	8	
9		240377001	BOLT-3/8-16X3 1/4 GR8 ZINC PLT	4	
10		235922001	WIPER-1.90 OD ROD	1	Use With 1.90" Drill Rod
		235923001	WIPER-2.06 OD ROD	1	Use With 2.06" Drill Rod
11		296279700	ROLLER-GUIDE	4	
12		236377001	BUSHING-GUIDE ROLLER	4	
13		597001	ZERK-1/4" NF 90 DEG GREASE	4	
14		296280323	HARNES-STRKE ALERT COIL	1	

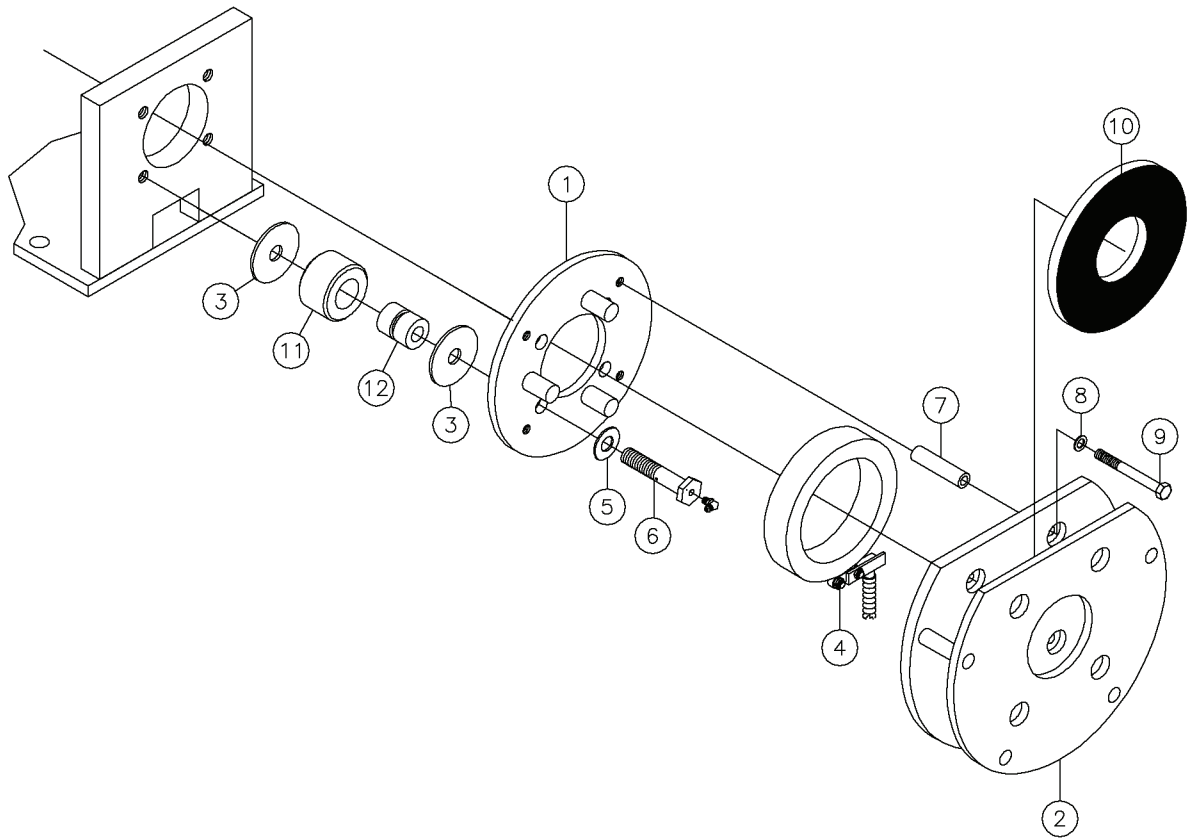
Zap Alert Coil Assy (Sn 106 & UP) Fig 9-2r01



## Zap Alert Coil Assy (Sn 106 &amp; UP) Fig 9-2r01

REF. NO.	*	PART NO.	DESCRIPTION	QTY.	REMARKS
		Revision Date	February, 2004		Update In Illustration & Parts List.
1		232489001	PLATE-MOUNT	1	
2		236351001	MOUNT-ROD WIPER	1	
3		296266527	RING-ROD GUIDED WEAR	1	
4		485015	WASHER-5/8 FLAT	8	
5		235715001	WASHER-5/8 SAE HARD ZINC PLTD	4	
6		236376001	BOLT-ROLLER GREASE @26184	4	
7		1070049	TUBE-5/8ODX11GA-2 9/16"	4	
8		235713001	WASHER-3/8 SAE HARD ZINC PLTD	4	
9		240377001	BOLT-3/8-16X3 1/4 GR8 ZINC PLT	4	
10		235922001	WIPER-1.90 OD ROD	1	
11		236378001	ROLLER-GUIDE	4	
12		236377001	BUSHING-GUIDE ROLLER	4	
13		597001	ZERK-1/4" NF 90 DEG GREASE	4	

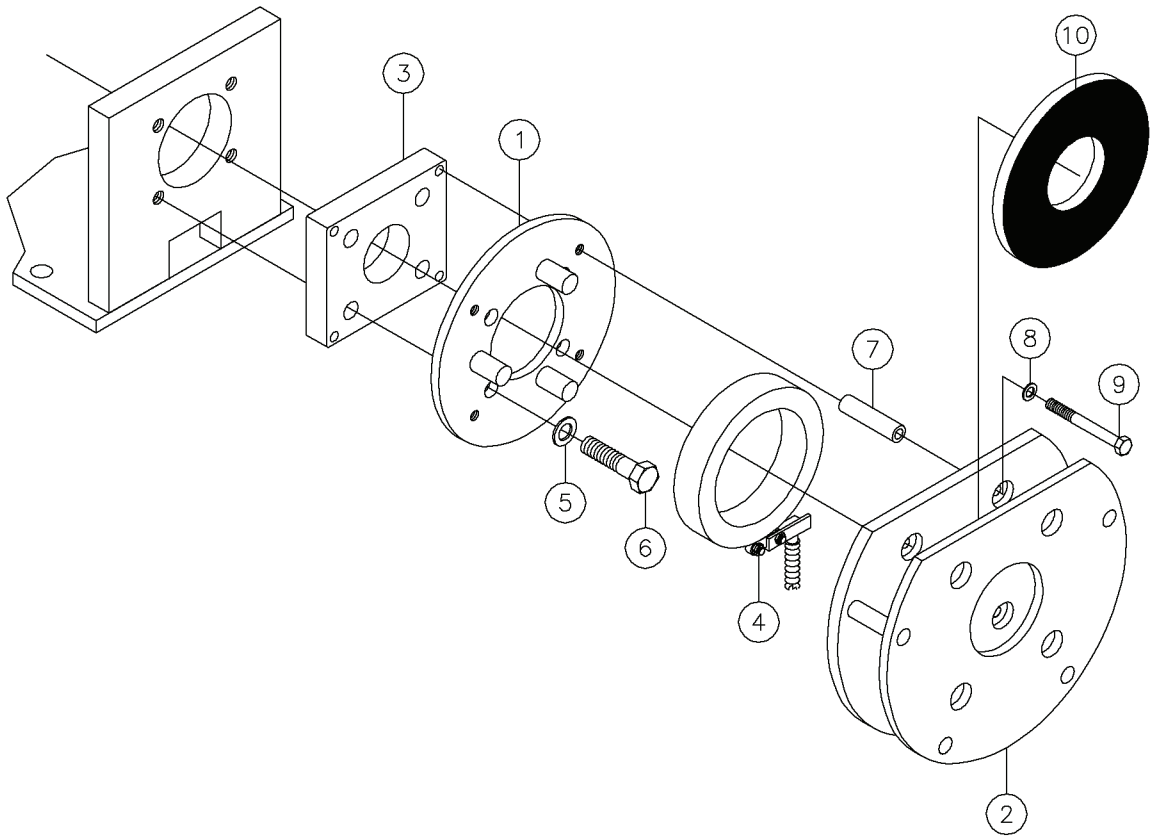
Zap Alert Coil Assy (Sn 106 & UP) Fig 9-2



## Zap Alert Coil Assy (Sn 106 &amp; UP) Fig 9-2

REF. NO.	*	PART NO.	DESCRIPTION	QTY.	REMARKS
1		232489001	PLATE-MOUNT	1	
2		236351001	MOUNT-ROD WIPER	1	
3		296266527	RING-ROD GUIDED WEAR	1	
4		485015	WASHER-5/8 FLAT	8	
5		235715001	WASHER-5/8 SAE HARD ZINC PLTD	4	
6		236376001	BOLT-ROLLER GREASE @26184	4	
7		1070049	TUBE-5/8ODX11GA-2 9/16"	4	
8		235713001	WASHER-3/8 SAE HARD ZINC PLTD	4	
9		240377001	BOLT-3/8-16X3 1/4 GR8 ZINC PLT	4	
10		235922001	WIPER-1.90 OD ROD	1	
11		236378001	ROLLER-GUIDE	4	
12		236377001	BUSHING-GUIDE ROLLER	4	
13		597001	ZERK-1/4" NF 90 DEG GREASE	4	

Zap Alert Coil Assy (Sn 101-105) Fig 9-2s01

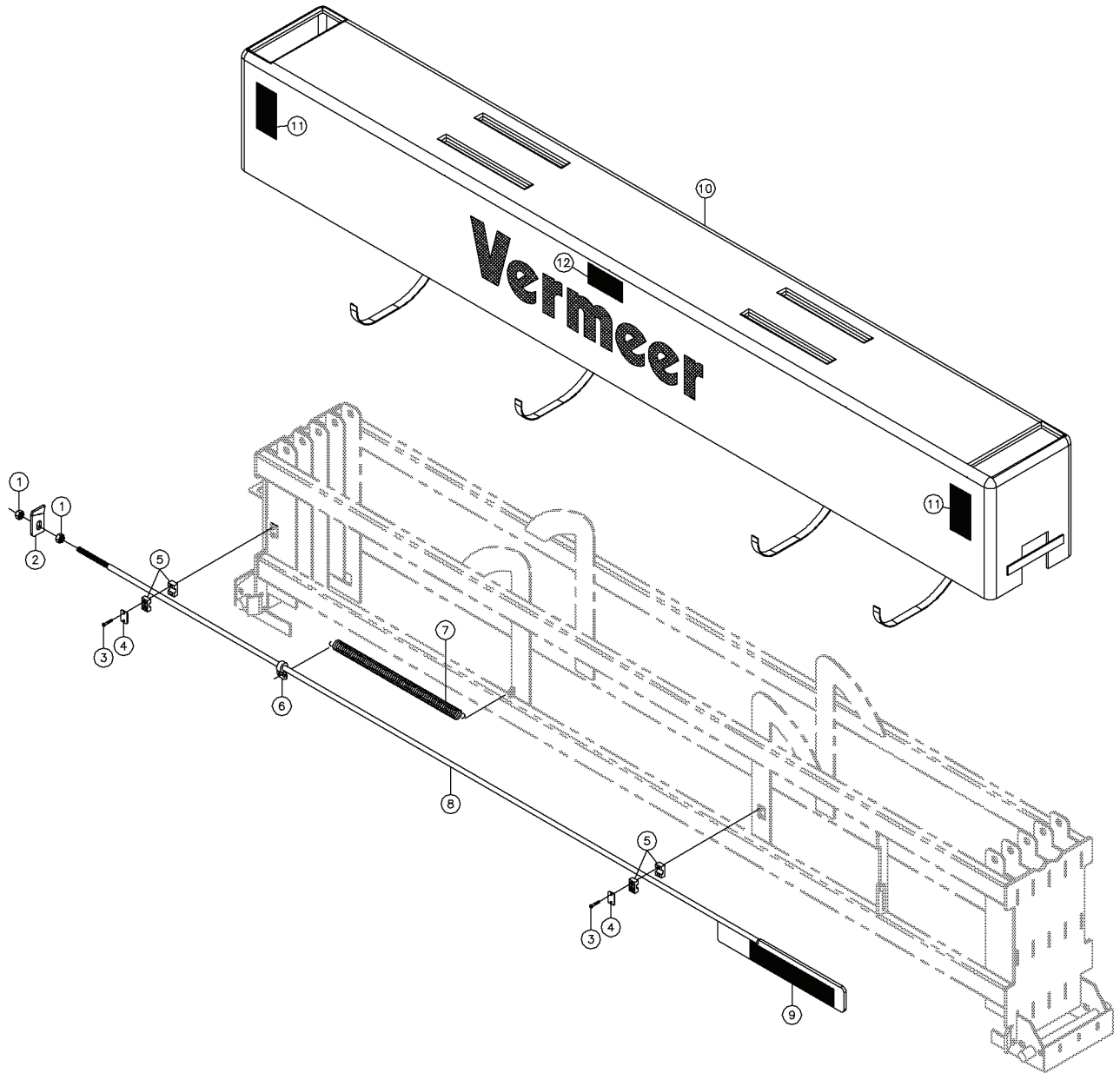




## Zap Alert Coil Assy (Sn 101-105) Fig 9-2s01

REF. NO.	*	PART NO.	DESCRIPTION	QTY.	REMARKS
1		232489001	PLATE-MOUNT	1	
2		236351001	MOUNT-ROD WIPER	1	
3		296266527	RING-ROD GUIDED WEAR	1	
4		296260408	COIL - ZAP ALERT 66" - 7700-631	1	
5		235715001	WASHER-5/8 SAE HARD ZINC PLTD	4	
6		238245001	BOLT 5/8" - 11 X 2 1/4 Gr 8 HEX	4	
7		1070049	TUBE-5/8ODX11GA-2 9/16"	4	
8		235713001	WASHER-3/8 SAE HARD ZINC PLTD	4	
9		240377001	BOLT-3/8-16X3 1/4 GR8 ZINC PLT	4	
10		235922001	WIPER-1.90 OD ROD	1	

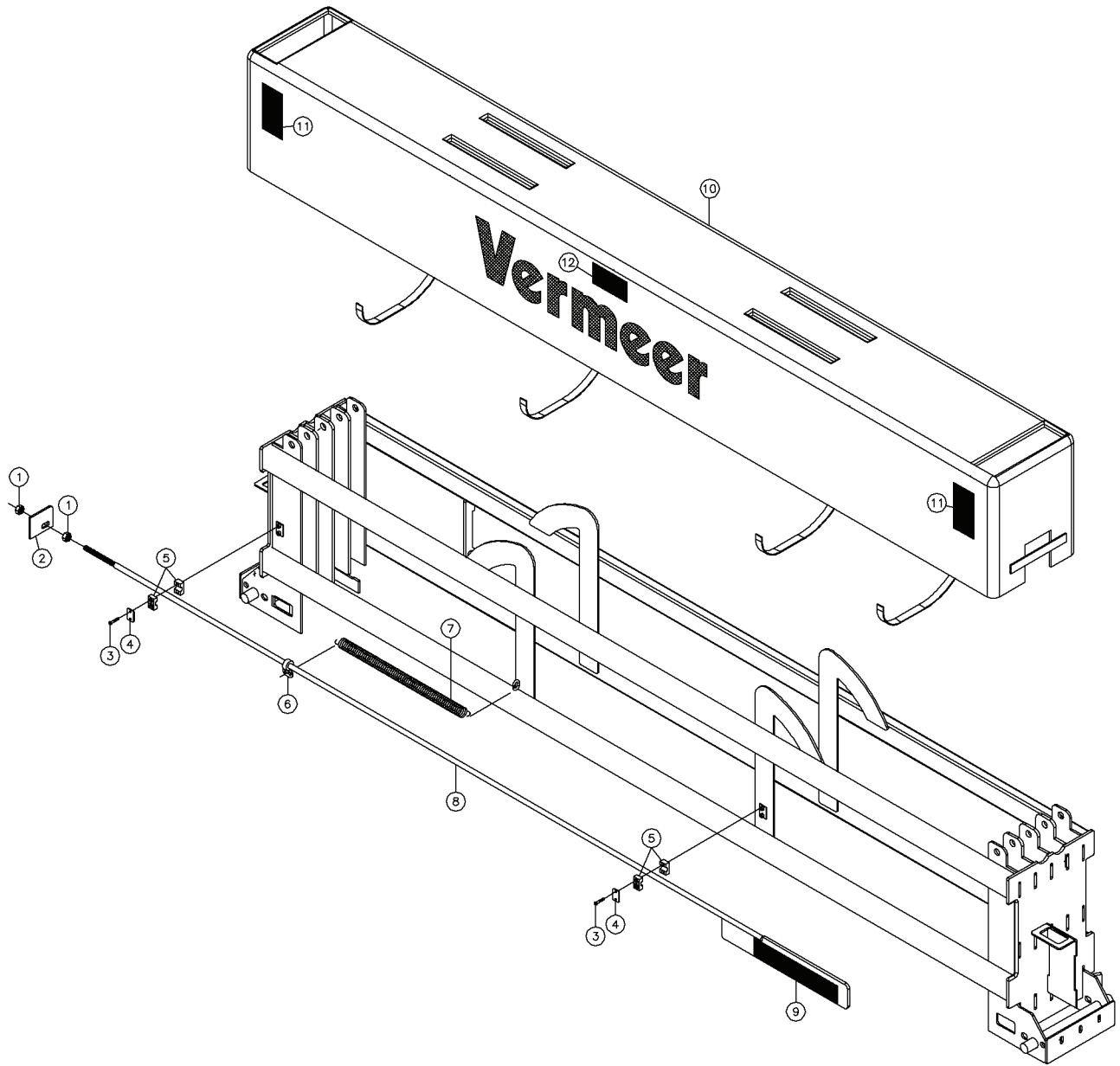
Rod Position Indicator Assy Fig 10-1r03



## Rod Position Indicator Assy Fig 10-1r03

REF. NO.	*	PART NO.	DESCRIPTION	QTY.	REMARKS
		Revision Date	May, 2005		Update In Illustration.
1		250514001	NUT -5/8NC JAM Y/ZINC	2	
2		296270784	PLATE - INDICATOR CATCH	1	
3		238210001	BOLT - 1/4-20X1 1/2 GR8 HEX ZYC	2	
4		903135005	PLATE-COVER COP-2	2	
5		903135003	CLAMP-HOSE 20675-PP	2	
6		227979001	MOUNT-ROD INDICATOR SPRING	1	
7		1789041	SPG-EXT.12GA.X1 1/8OD X13 1/2	1	
8		296256056	WELDMENT - ROD POSITION MARKER	1	
9		700IA997	DECAL - GEARBOX POSITION	1	
10		296280364	COVER - D18X22 ROD BOX	1	
11		7000A627	DECAL-DANGER	2	
12		70000563	DECAL-WARNING (UND)	1	

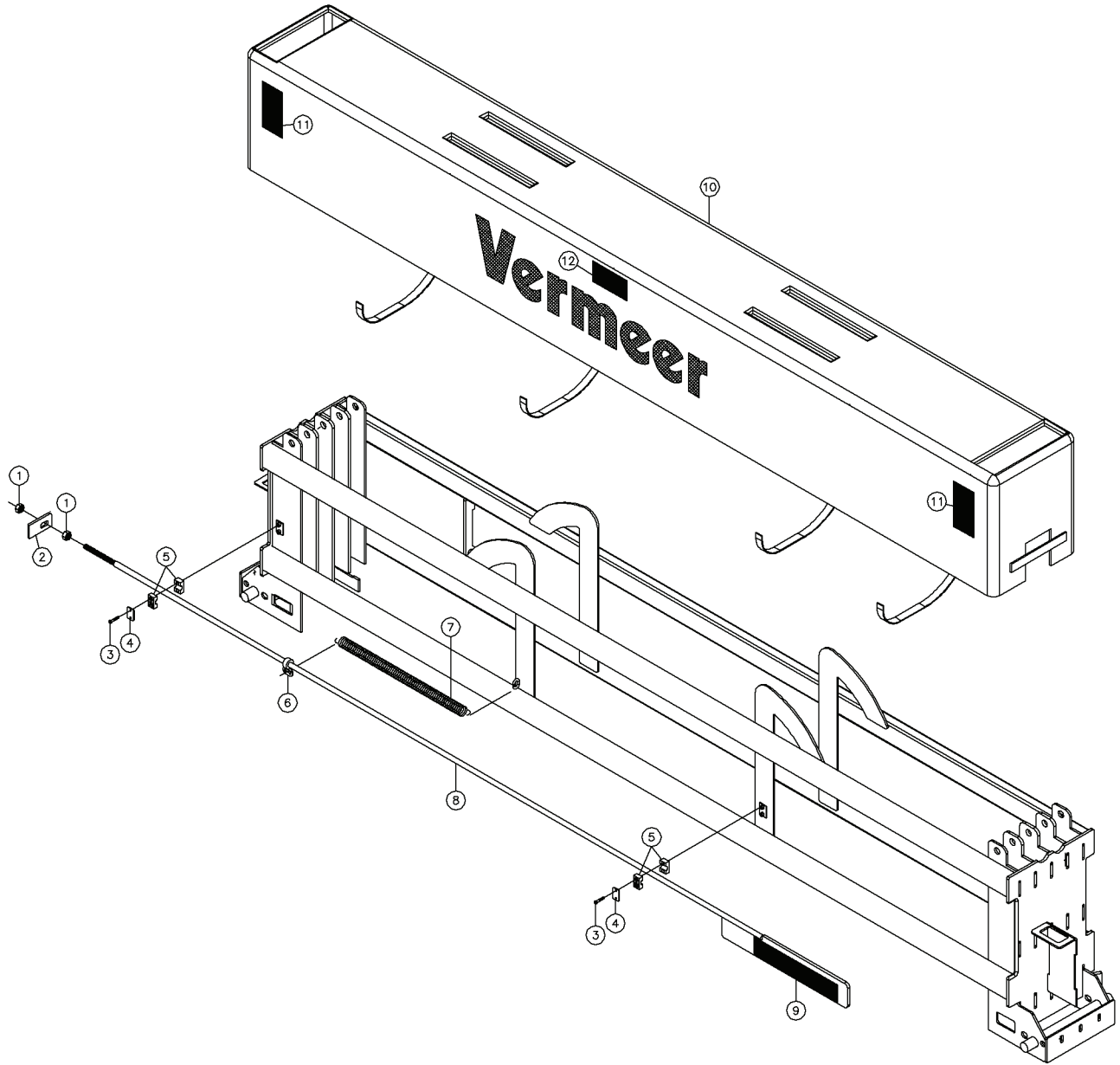
Rod Position Indicator Assy Fig 10-1r02



## Rod Position Indicator Assy Fig 10-1r02

REF. NO.	*	PART NO.	DESCRIPTION	QTY.	REMARKS
		Revision Date	June, 2004		Update In Illustration.
1		250514001	NUT -5/8NC JAM Y/ZINC	2	
2		296270784	PLATE - INDICATOR CATCH	1	
3		238210001	BOLT - 1/4-20X1 1/2 GR8 HEX ZYC	2	
4		903135005	PLATE-COVER COP-2	2	
5		903135003	CLAMP-HOSE 20675-PP	2	
6		227979001	MOUNT-ROD INDICATOR SPRING	1	
7		1789041	SPG-EXT.12GA.X1 1/8OD X13 1/2	1	
8		296256056	WELDMENT - ROD POSITION MARKER	1	
9		700IA997	DECAL - GEARBOX POSITION	1	
10		296270847	COVER - D18X22 ROD BOX	1	
11		7000A627	DECAL-DANGER	2	
12		70000563	DECAL-WARNING (UND)	1	

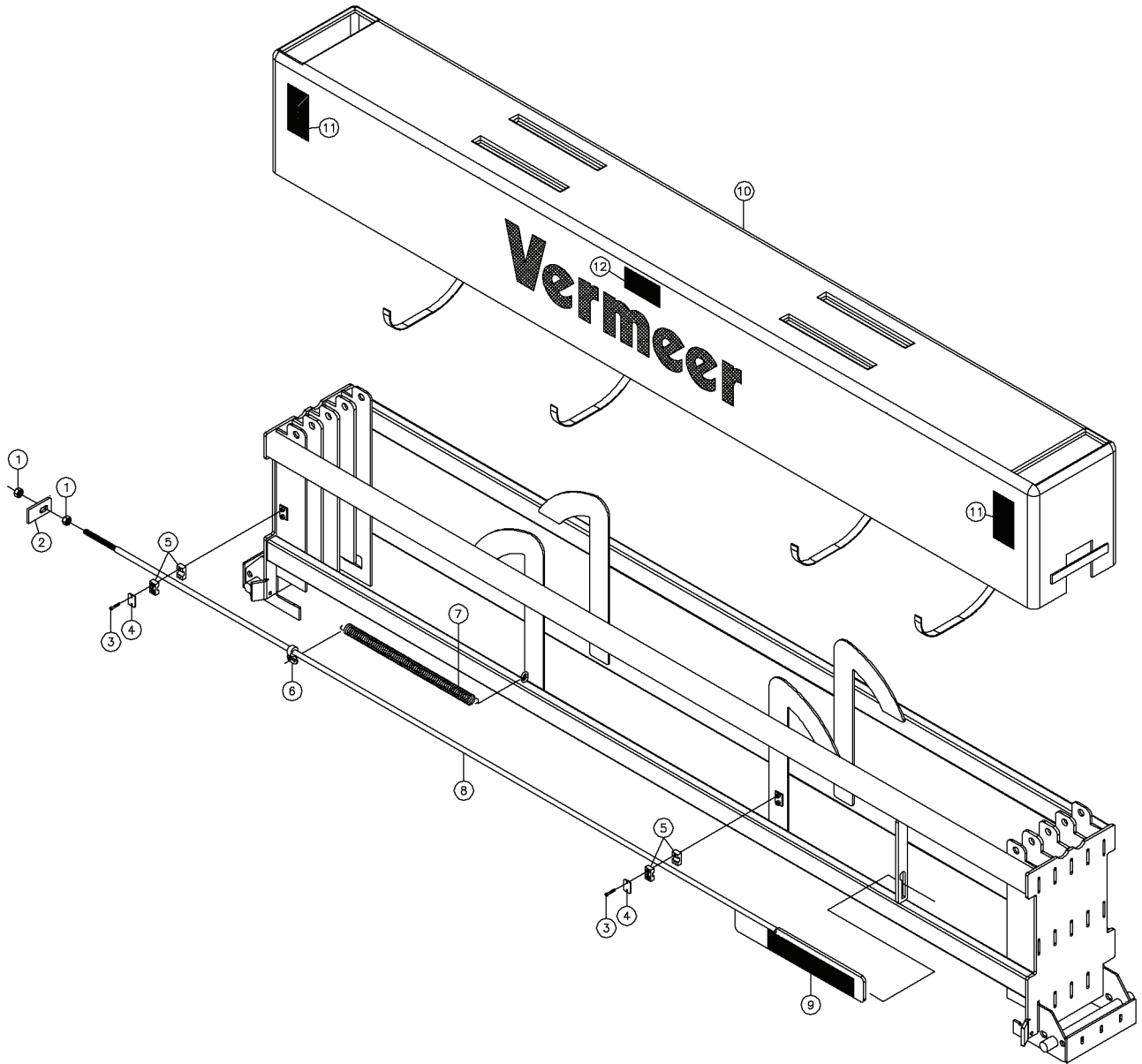
Rod Position Indicator Assy Fig 10-1r01



## Rod Position Indicator Assy Fig 10-1r01

REF. NO.	*	PART NO.	DESCRIPTION	QTY.	REMARKS
		Revision Date	February, 2004		Update In Illustration & Parts List.
1		250514001	NUT -5/8NC JAM Y/ZINC	2	
2		296270784	PLATE - INDICATOR CATCH	1	
3		238210001	BOLT - 1/4-20X1 1/2 GR8 HEX ZYC	2	
4		903135005	PLATE-COVER COP-2	2	
5		903135003	CLAMP-HOSE 20675-PP	2	
6		227979001	MOUNT-ROD INDICATOR SPRING	1	
7		1789041	SPG-EXT.12GA.X1 1/8OD X13 1/2	1	
8		296256056	WELDMENT - ROD POSITION MARKER	1	
9		700IA997	DECAL - GEARBOX POSITION	1	
10		296270847	COVER - D18X22 ROD BOX	1	
11		7000A627	DECAL-DANGER	2	
12		70000563	DECAL-WARNING (UND)	1	

Rod Position Indicator Assy Fig 10-1

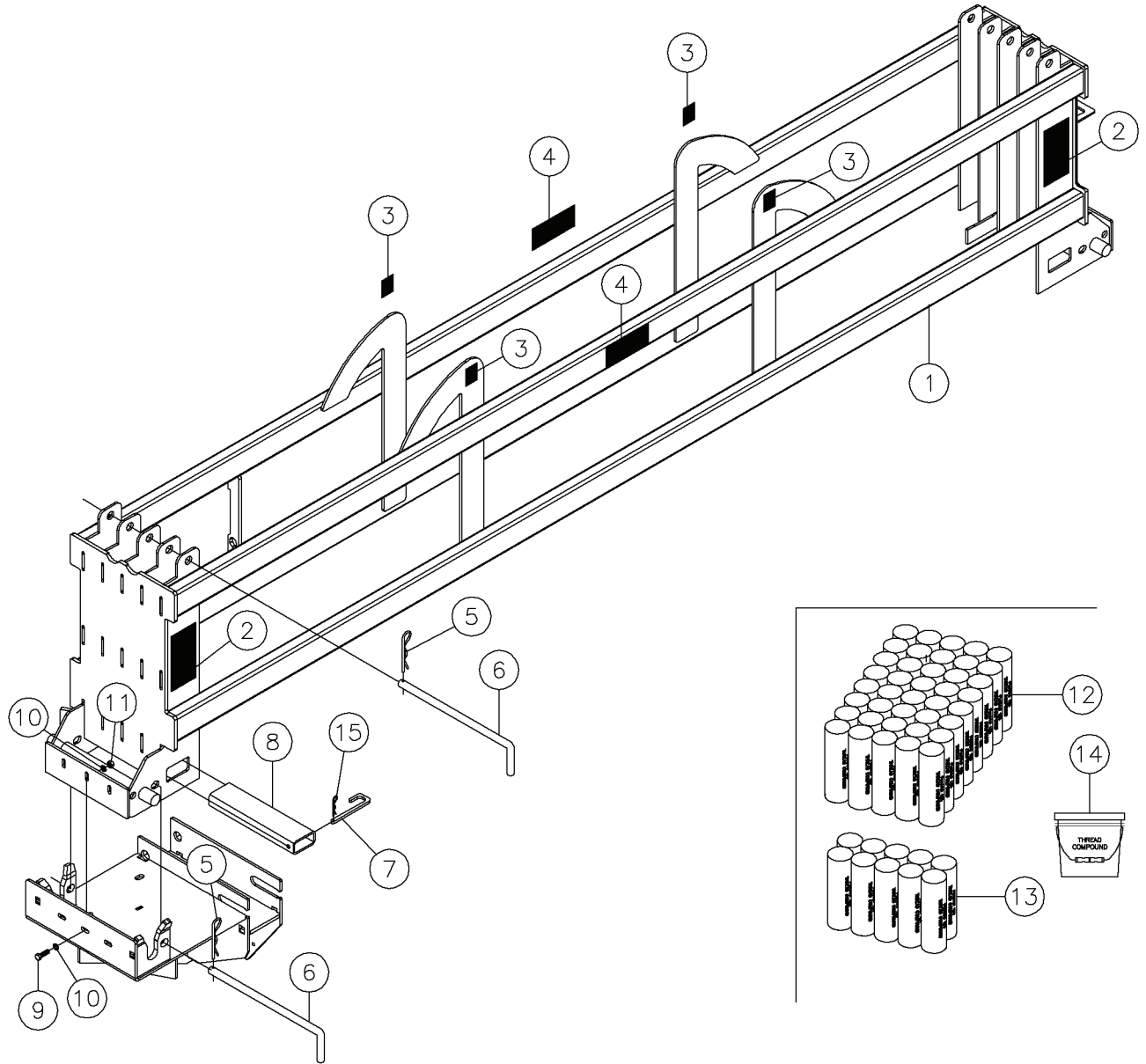




## Rod Position Indicator Assy Fig 10-1

REF. NO.	*	PART NO.	DESCRIPTION	QTY.	REMARKS
1		250514001	NUT -5/8NC JAM Y/ZINC	2	
2		296270784	PLATE - INDICATOR CATCH	1	
3		238210001	BOLT - 1/4-20X1 1/2 GR8 HEX ZYC	2	
4		903135005	PLATE-COVER COP-2	2	
5		903135003	CLAMP-HOSE 20675-PP	2	
6		227979001	MOUNT-ROD INDICATOR SPRING	1	
7		1789041	SPG-EXT.12GA.X1 1/8OD X13 1/2	1	
8		296256056	WELDMENT - ROD POSITION MARKER	1	
9		700IA997	DECAL - GEARBOX POSITION	1	

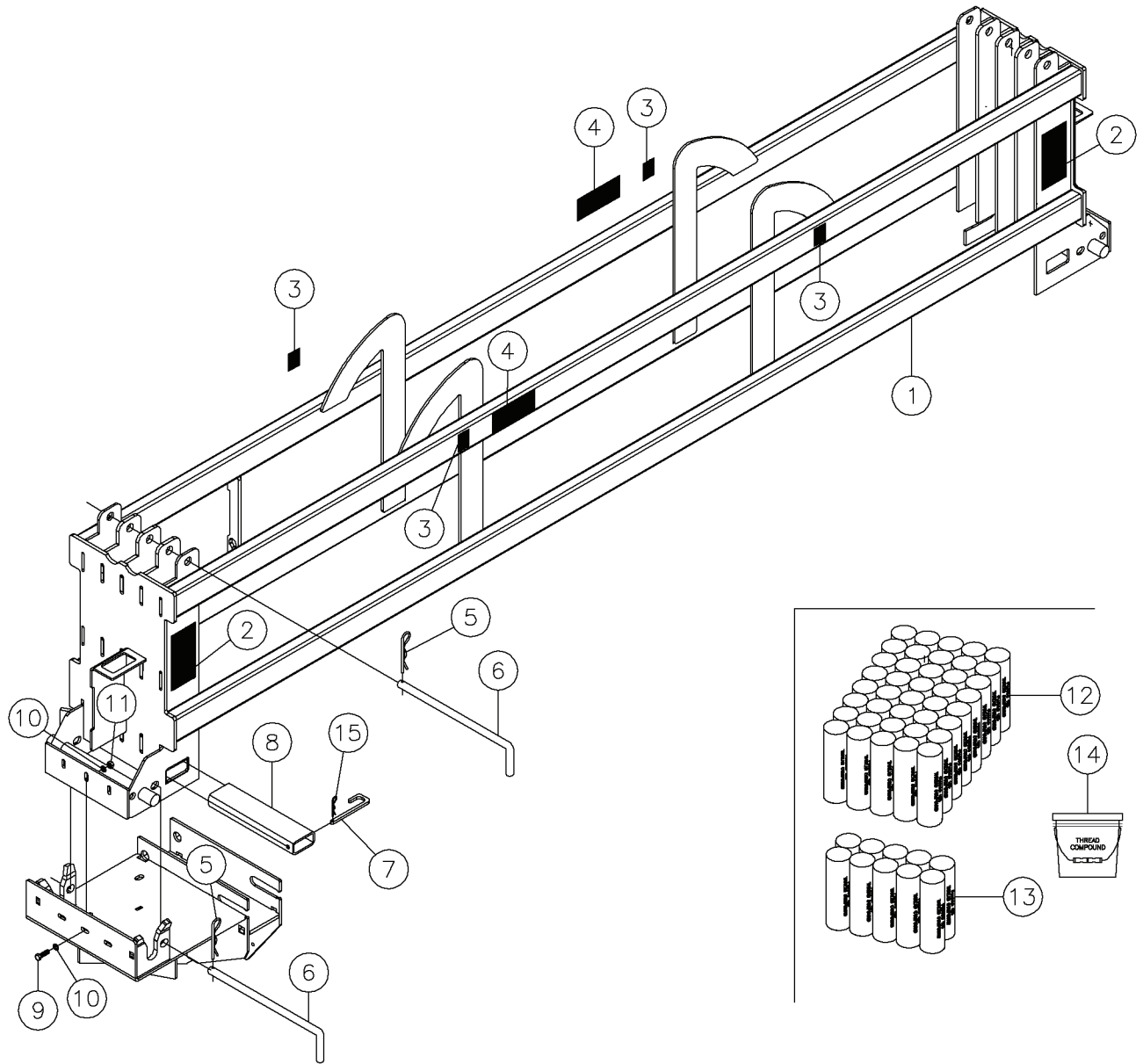
Rod Box Assy Fig 10-2r03



## Rod Box Assy Fig 10-2r03

REF. NO.	*	PART NO.	DESCRIPTION	QTY.	REMARKS
		Revision Date	May, 2005		Update In Illustration & Parts List.
1		296276774	ROD BOX ASSY - D18X22 DOMESTIC	1	Inc Ref 2-4
		296276775	ROD BOX ASSY - D18X22 INTERNATIONAL	1	Inc Ref 2-4
2		7000A627	DECAL-DANGER	2	Domestic
		700IA627	DECAL-DANGER	2	International
3		7000I445	DECAL-LIFT POINT	4	
4		70000563	DECAL-WARNING (UND)	2	Domestic
		7000I563	DECAL-WARNING (UND)	2	international
5		1794003	HAIR PIN COTTER - .148 WIRE	4	
6		294759001	PIN - 3/4" X 12.25 UL BENT PULL	4	
7		296266689	BAR - LINK	2	
8		296266670	TUBE - ROD BOX	2	
9		235736001	BOLT-3/8-16X1 1/4 ZINC PLTD	6	
10		235713001	WASHER - FLATSTRL - .38 - .41 X .81 - .06-YA-A325	12	
11		235725001	NUT - HEX - .38 - 16 - GR8 - YZ	6	
12		296274031	THREAD - COMPOUND CARTRIDGE 30 PACK	A/R	
13		296274030	THREAD - COMPOUND 3/10PACKS - CARTRIDGES	A/R	
14		235983001	LUBRICANT - THREAD 1 GALLON	A/R	
15		1794007	HAIR PIN COTTER - .080 WIRE	2	

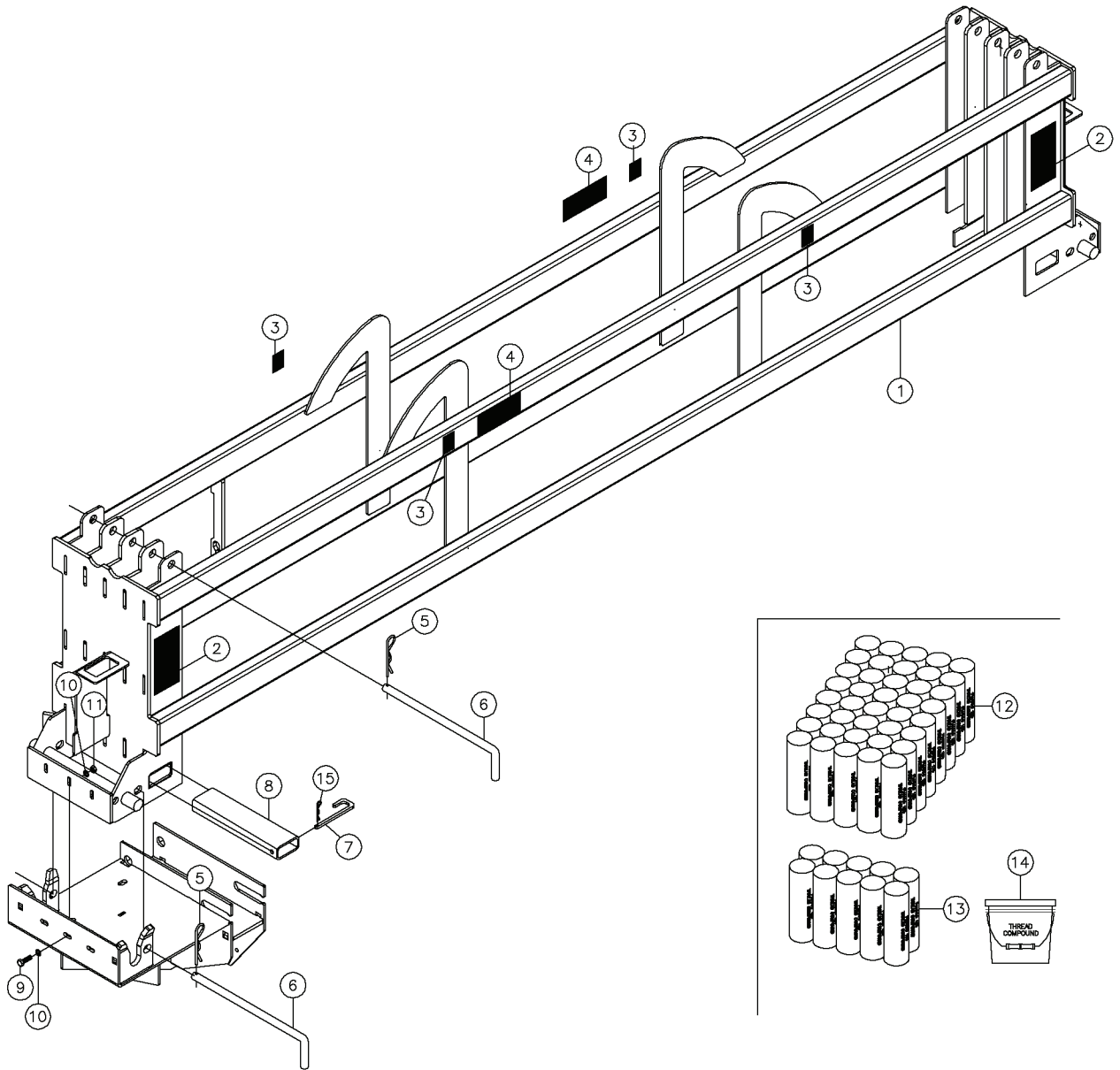
Rod Box Assy Fig 10-2r02



## Rod Box Assy Fig 10-2r02

REF. NO.	*	PART NO.	DESCRIPTION	QTY.	REMARKS
		Revision Date	July, 2004		Update In Illustration & Parts List.
1		296270521	ROD BOX ASSY - D18X22 DOMESTIC	1	Inc Ref 2-4
		296270522	ROD BOX ASSY - D18X22 INTERNATIONAL	1	Inc Ref 2-4
2		7000A627	DECAL-DANGER	2	Domestic
		700IA627	DECAL-DANGER	2	International
3		7000I445	DECAL-LIFT POINT	4	
4		70000563	DECAL-WARNING (UND)	2	Domestic
		7000I563	DECAL-WARNING (UND)	2	international
5		1794003	HAIR PIN COTTER - .148 WIRE	4	
6		294759001	PIN - 3/4" X 12.25 UL BENT PULL	4	
7		296266689	BAR - LINK	2	
8		296266670	TUBE - ROD BOX	2	
9		235736001	BOLT-3/8-16X1 1/4 ZINC PLTD	6	
10		235713001	WASHER - FLATSTRL - .38 - .41 X .81 - .06-YA-A325	12	
11		235725001	NUT - HEX - .38 - 16 - GR8 - YZ	6	
12		296274031	THREAD - COMPOUND CARTRIDGE 30 PACK	A/R	
13		296274030	THREAD - COMPOUND 3/10PACKS - CARTRIDGES	A/R	
14		235983001	LUBRICANT - THREAD 1 GALLON	A/R	
15		1794007	HAIR PIN COTTER - .080 WIRE	2	

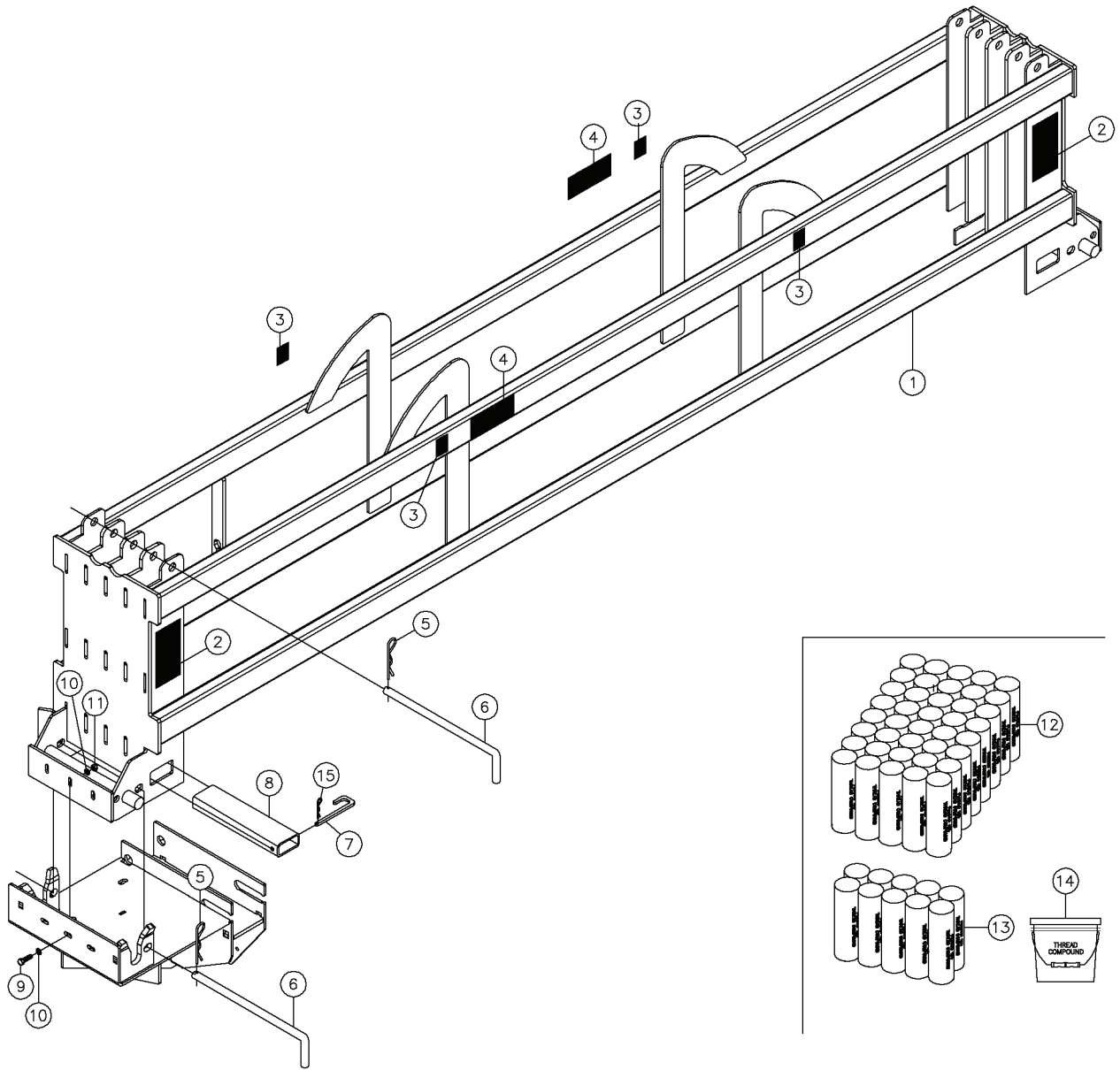
Rod Box Assy Fig 10-2r01



## Rod Box Assy Fig 10-2r01

REF. NO.	*	PART NO.	DESCRIPTION	QTY.	REMARKS
		Revision Date	February, 2004		Update In Illustration & Parts List.
1		296270521	ROD BOX ASSY-DOMESTIC	1	Inc Ref 2-4
		296270522	ROD BOX ASSY-INTERNATIONAL	1	Inc Ref 2-4
2		7000A627	DECAL-DANGER	2	Domestic
		700IA627	DECAL-DANGER	2	International
3		7000I445	DECAL-LIFT POINT	4	
4		70000563	DECAL-WARNING	2	Domestic
		7000I563	DECAL-WARNING	2	international
5		1794003	HAIR PIN COTTER - .148 WIRE	4	
6		294759001	PIN - 3/4" X 12.25 UL BENT PULL	4	
7		296266689	BAR - LINK	2	
8		296266670	TUBE - ROD BOX	2	
9		235736001	BOLT-3/8-16X1 1/4 ZINC PLTD	6	
10		235713001	WASHER - FLATSTRL - .38 - .41 X .81 - .06-YA-A325	12	
11		235725001	NUT - HEX - .38 - 16 - GR8 - YZ	6	
12		275928982	THRD CMPND - PLUSCO 135 - 4/10 PACK	A/R	
13		275927982	THRD CMPND - PLUSCO 135 - 10 PACK	A/R	
14		235983001	LUBRICANT - THREAD 1 GALLON	A/R	
15		1794007	HAIR PIN COTTER - .080 WIRE	2	
		AR	AS REQUIRED		

Rod Box Assy Fig 10-2

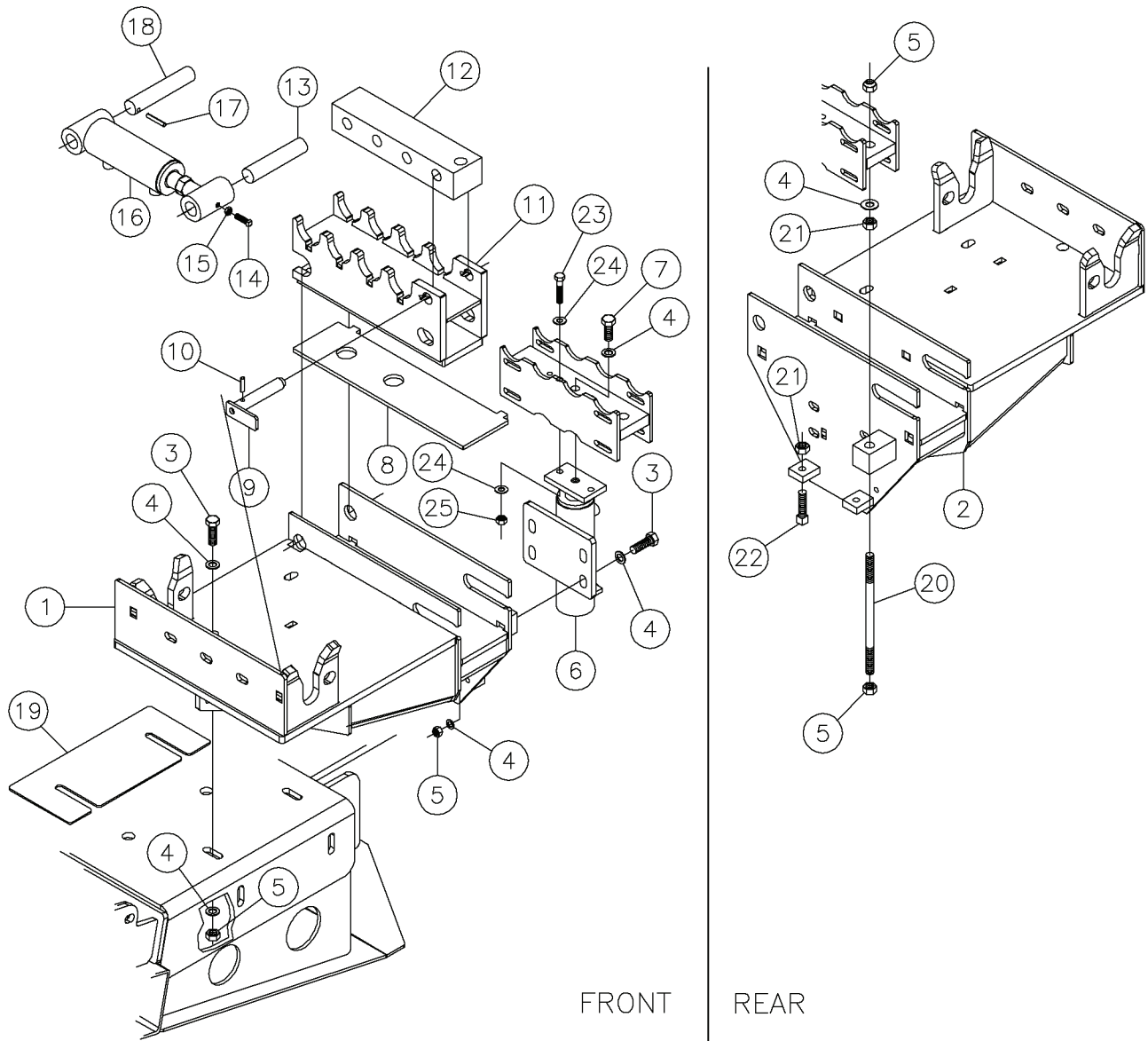




## Rod Box Assy Fig 10-2

REF. NO.	*	PART NO.	DESCRIPTION	QTY.	REMARKS
1		296270521	ROD BOX ASSY-DOMESTIC	1	Inc Ref 2-4
		296270522	ROD BOX ASSY-INTERNATIONAL	1	Inc Ref 2-4
2		7000A627	DECAL-DANGER	2	Domestic
		700IA627	DECAL-DANGER	2	International
3		7000I445	DECAL-LIFT POINT	4	
4		70000563	DECAL-WARNING	2	Domestic
		7000I563	DECAL-WARNING	2	international
5		1794003	HAIR PIN COTTER - .148 WIRE	4	
6		294759001	PIN - 3/4" X 12.25 UL BENT PULL	4	
7		296266689	BAR - LINK	2	
8		296266670	TUBE - ROD BOX	2	
9		235736001	BOLT-3/8-16X1 1/4 ZINC PLTD	6	
10		235713001	WASHER - FLATSTRL - .38 - .41 X .81 - .06-YA-A325	12	
11		235725001	NUT - HEX - .38 - 16 - GR8 - YZ	6	
12		275928982	THRD CMPND - PLUSCO 135 - 4/10 PACK	A/R	
13		275927982	THRD CMPND - PLUSCO 135 - 10 PACK	A/R	
14		235983001	LUBRICANT - THREAD 1 GALLON	A/R	
15		1794007	HAIR PIN COTTER - .080 WIRE REF T05985	2	
		AR	AS REQUIRED		

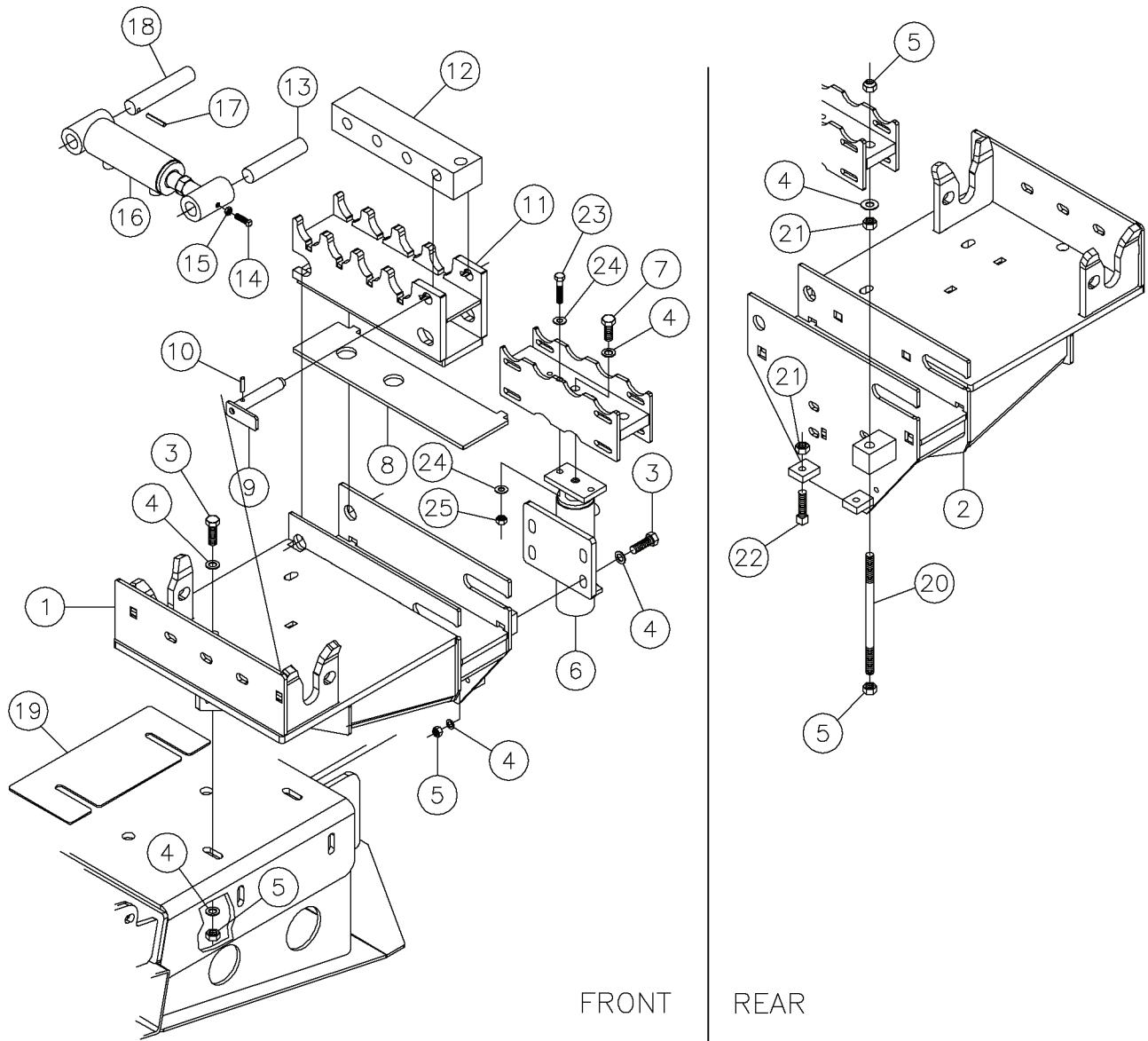
Row Selector Lift Assy Fig 10-3r04



## Row Selector Lift Assy Fig 10-3r04

REF. NO.	*	PART NO.	DESCRIPTION	QTY.	REMARKS
		Revision Date	May, 2005		Update In Illustration & Parts List.
1		296275397	MOUNT - ROD LOADER	1	
2		296275396	MOUNT - ROD LOADER	1	
3		235721001	BOLT-1/2-13X1 1/2 GR8 ZINC PLT	16	
4		485025	WASHER-1/2 FLAT-HARDENED-YZ	36	
5		250512001	NUT- 1/2 NC Gr8 TOP LOCK Y/ ZINC	20	
6		296275075	CYLINDER - 2 X 3-3/8 HYD	2	S/N 216-
		296271066	SHAFT	2	
		296263830	REPAIR KIT	2	
7		235737001	BOLT-1/2-13X1 1/4 GR8 ZINC PLT	2	
8		276728001	SLIDE - WEAR	2	
9		276720001	PIN - SELECTOR	2	
10		1788009	PIN EXPANSION 1/4 X 1 ZINC	2	
11		296279697	COMB-2.06 LOADER	2	
12		276700001	BAR - POCKET BLOCK	2	
13		276717001	PIN - SHIFT	2	
14		510365811	SCREW-SQSET-.38-16X.75-GR5-YZ	2	
15		250576001	NUT-3/8 NC HEX JAM W/Y-ZINC	2	
16		294821001	CYL.-HYD.2" X 3"	2	
		296251066	SHAFT	2	
		296251068	REPAIR KIT	2	
17		510342801	PIN - EXPANSION 1/4 X 1 1/2 YZ	2	
18		276716001	PIN - SHIFT	2	
19		296266692	SHIM - ROD LOADER	A/R	
20		296265792	BAR - LOADER GUIDE	2	
21		75383001	NUT-1/2-UNC GR.8 JAM HEX	4	
22		550020	SQ HSS-1/2-13X2	4	
23		235720001	BOLT-3/8-16X1 3/4 6R8 ZINC PLT	4	S/N 216-
24		235713001	WASHER - FLATSTRL - .38 - .41 X .81 - .06-YA-A325	8	S/N 216-
25		250508001	NUT - 3/8-NC Gr8 TOP LOCK Y/ZINC	4	S/N 216-

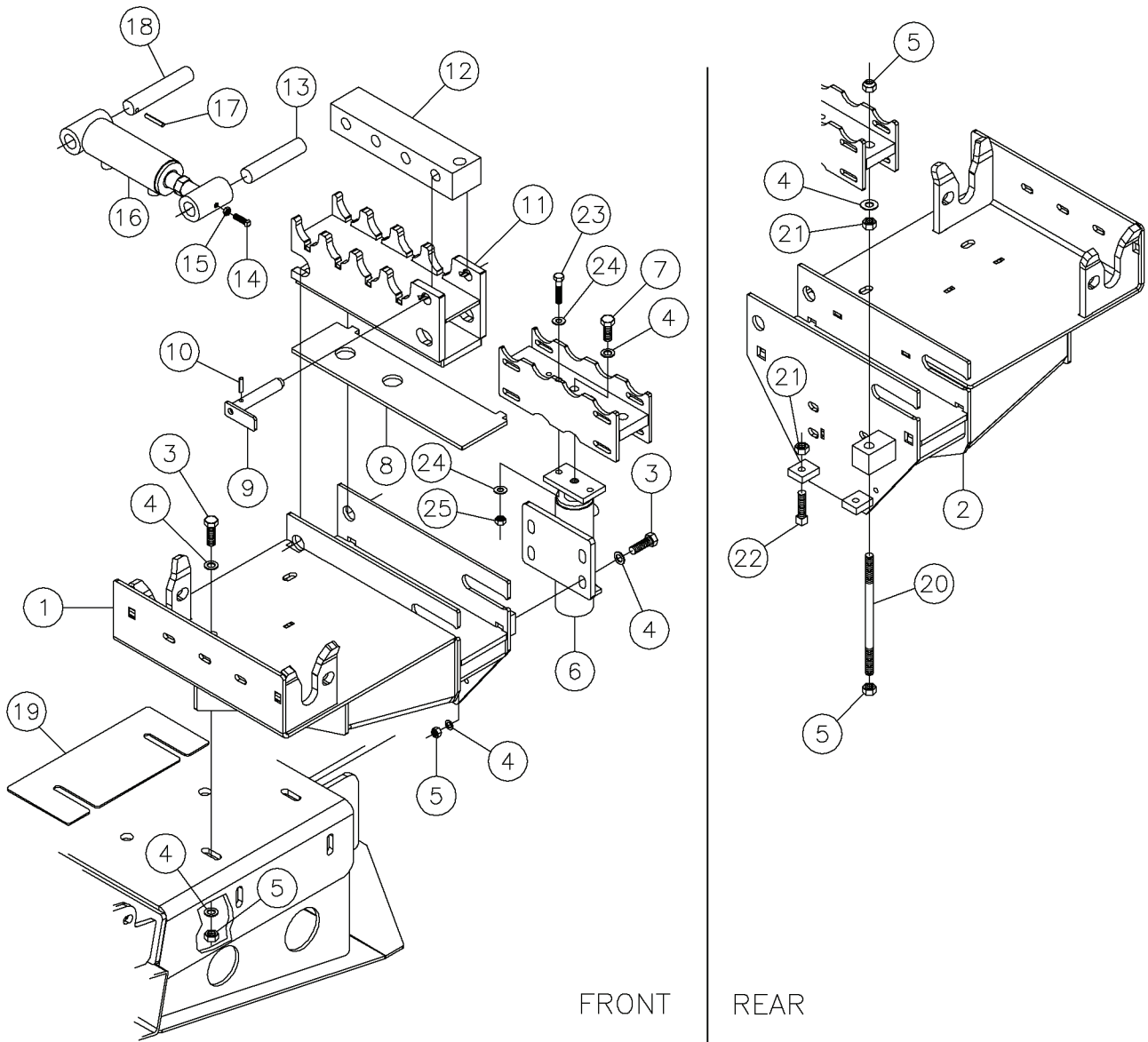
Row Selector Lift Assy Fig 10-3r03



## Row Selector Lift Assy Fig 10-3r03

REF. NO.	*	PART NO.	DESCRIPTION	QTY.	REMARKS
		Revision Date	October, 2004		Update In Illustration & Parts List.
1		296275397	MOUNT - ROD LOADER	1	
2		296275396	MOUNT - ROD LOADER	1	
3		235721001	BOLT-1/2-13X1 1/2 GR8 ZINC PLT	16	
4		485025	WASHER-1/2 FLAT-HARDENED-YZ	36	
5		250512001	NUT- 1/2 NC Gr8 TOP LOCK Y/ ZINC	20	
6		296275075	CYLINDER - 2 X 3-3/8 HYD	2	S/N 216-
		296271066	SHAFT	2	
		296263830	REPAIR KIT	2	
7		235737001	BOLT-1/2-13X1 1/4 GR8 ZINC PLT	2	
8		276728001	SLIDE - WEAR	2	
9		276720001	PIN - SELECTOR	2	
10		1788009	PIN EXPANSION 1/4 X 1 ZINC	2	
11		296260384	COMB - ROW SELECTOR	2	
12		276700001	BAR - POCKET BLOCK	2	
13		276717001	PIN - SHIFT	2	
14		510365811	SCREW-SQSET-.38-16X.75-GR5-YZ	2	
15		250576001	NUT-3/8 NC HEX JAM W/Y-ZINC	2	
16		294821001	CYL.-HYD.2" X 3"	2	
		296251066	SHAFT	2	
		296251068	REPAIR KIT	2	
17		510342801	PIN - EXPANSION 1/4 X 1 1/2 YZ	2	
18		276716001	PIN - SHIFT	2	
19		296266692	SHIM - ROD LOADER	A/R	
20		296265792	BAR - LOADER GUIDE	2	
21		75383001	NUT-1/2-UNC GR.8 JAM HEX	4	
22		550020	SQ HSS-1/2-13X2	4	
23		235720001	BOLT-3/8-16X1 3/4 6R8 ZINC PLT	4	S/N 216-
24		235713001	WASHER - FLATSTRL - .38 - .41 X .81 - .06-YA-A325	8	S/N 216-
25		250508001	NUT - 3/8-NC Gr8 TOP LOCK Y/ZINC	4	S/N 216-

Row Selector Lift Assy Fig 10-3r02



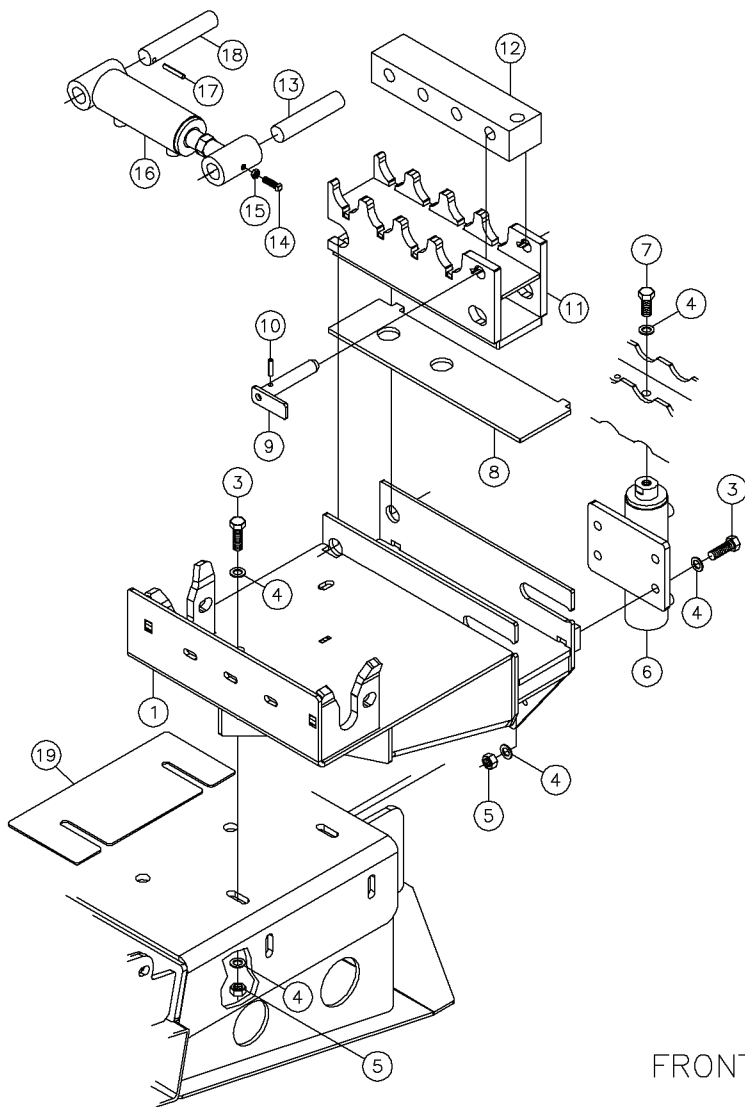
FRONT

REAR

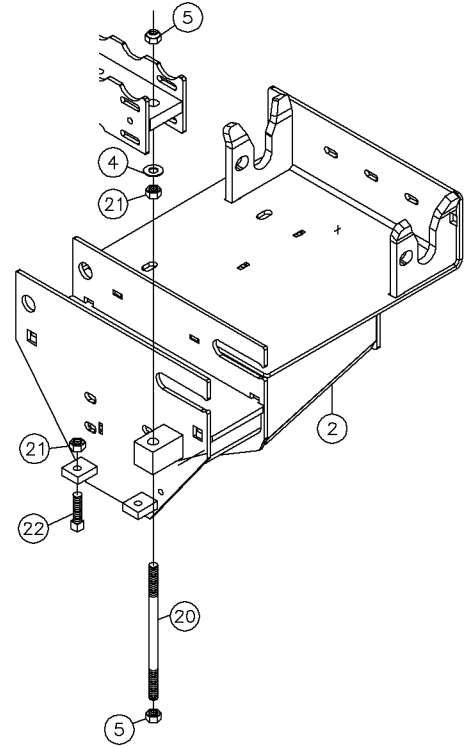
## Row Selector Lift Assy Fig 10-3r02

REF. NO.	*	PART NO.	DESCRIPTION	QTY.	REMARKS
		Revision Date	July, 2004		Update In Illustration & Parts List.
1		276681001	MOUNT - ROD LOADER	1	
2		296257493	MOUNT - ROD LOADER	1	
3		235721001	BOLT-1/2-13X1 1/2 GR8 ZINC PLT	16	
4		485025	WASHER-1/2 FLAT-HARDENED-YZ	36	
5		250512001	NUT- 1/2 NC Gr8 TOP LOCK Y/ ZINC	20	
6		296275075	CYLINDER - 2 X 3-3/8 HYD	2	S/N 216-
		296271066	SHAFT	2	
		296263830	REPAIR KIT	2	
7		235737001	BOLT-1/2-13X1 1/4 GR8 ZINC PLT	2	
8		276728001	SLIDE - WEAR	2	
9		276720001	PIN - SELECTOR	2	
10		1788009	PIN EXPANSION 1/4 X 1 ZINC	2	
11		296260384	COMB - ROW SELECTOR	2	
12		276700001	BAR - POCKET BLOCK	2	
13		276717001	PIN - SHIFT	2	
14		510365811	SCREW-SQSET-.38-16X.75-GR5-YZ	2	
15		250576001	NUT-3/8 NC HEX JAM W/Y-ZINC	2	
16		294821001	CYL.-HYD.2" X 3"	2	
		296251066	SHAFT	2	
		296251068	REPAIR KIT	2	
17		510342801	PIN - EXPANSION 1/4 X 1 1/2 YZ	2	
18		276716001	PIN - SHIFT	2	
19		296266692	SHIM - ROD LOADER	A/R	
20		296265792	BAR - LOADER GUIDE	2	
21		75383001	NUT-1/2-UNC GR.8 JAM HEX	4	
22		550020	SQ HSS-1/2-13X2 REF T04255	4	
23		235720001	BOLT-3/8-16X1 3/4 6R8 ZINC PLT	4	S/N 216-
24		235713001	WASHER - FLATSTRL - .38 - .41 X .81 - .06-YA-A325	8	S/N 216-
25		250508001	NUT - 3/8-NC Gr8 TOP LOCK Y/ZINC	4	S/N 216-

Row Selector Lift Assy Fig 10-3r01



FRONT



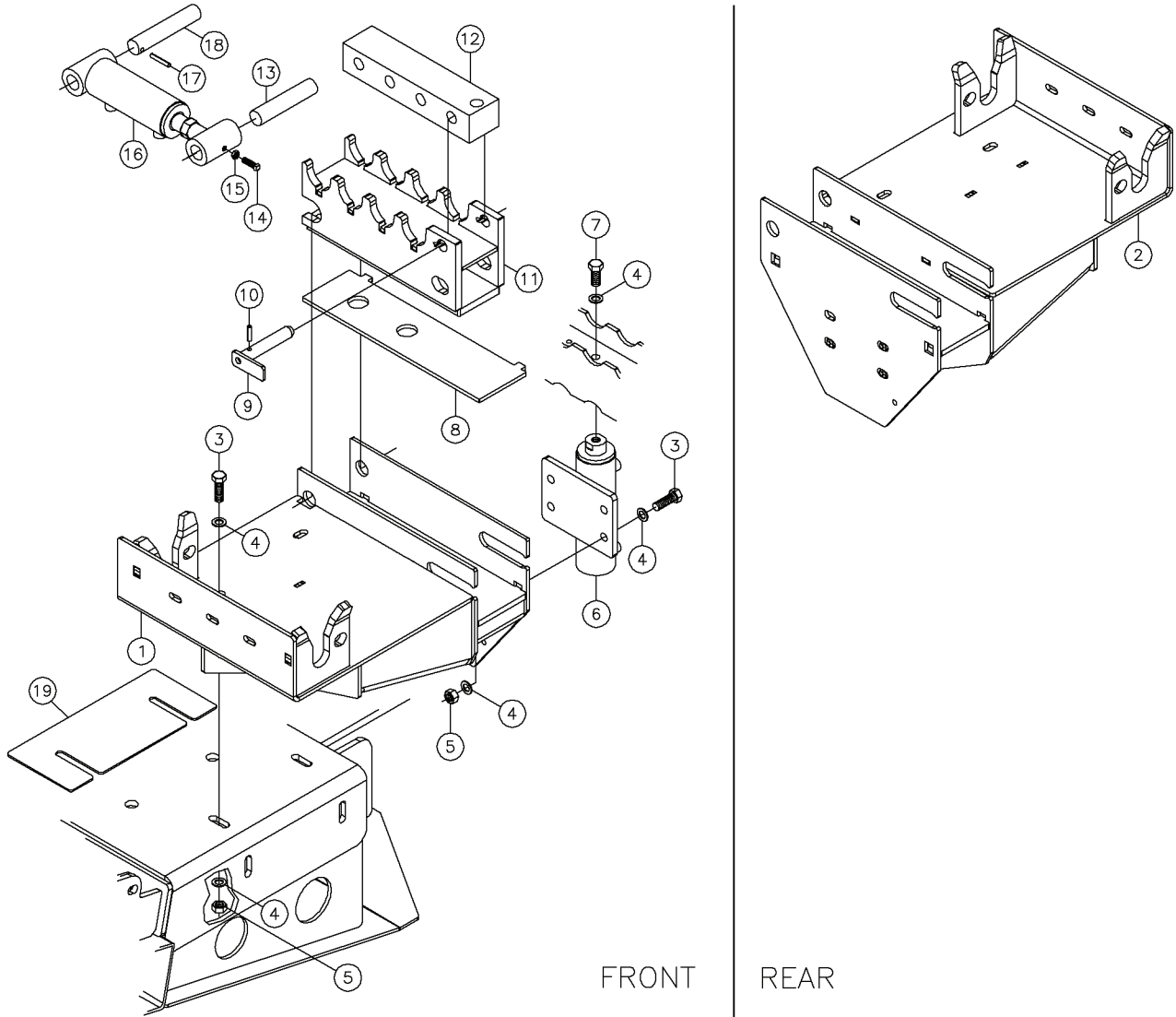
REAR



## Row Selector Lift Assy Fig 10-3r01

REF. NO.	*	PART NO.	DESCRIPTION	QTY.	REMARKS
		Revision Date	February, 2004		Update In Illustration & Parts List.
1		276681001	MOUNT - ROD LOADER	1	
2		296257493	MOUNT - ROD LOADER	1	
3		235721001	BOLT-1/2-13X1 1/2 GR8 ZINC PLT	16	
4		485025	WASHER-1/2 FLAT-HARDENED-ZINC	36	
5		250512001	NUT- 1/2 NC Gr8 TOP LOCK Y/ ZINC	20	
6		296270834	CYLINDER - 2"BORE X 3 3/8" STROKE HYDRAULIC	2	
		296271066	SHAFT	2	
		296263830	REPAIR KIT	2	
7		235737001	BOLT-1/2-13X1 1/4 GR8 ZINC PLT	2	
8		276728001	SLIDE - WEAR	2	
9		276720001	PIN - SELECTOR	2	
10		1788009	PIN EXPANSION 1/4 X 1 ZINC	2	
11		296260384	COMB - ROW SELECTOR	2	
12		276700001	BAR - POCKET BLOCK	2	
13		276717001	PIN - SHIFT	2	
14		510365811	SCREW-SQSET-.38-16X.75-GR5-YZ	2	
15		250576001	NUT-3/8 NC HEX JAM W/Y-ZINC	2	
16		294821001	CYL.-HYD.2" X 3"	2	
		296251066	SHAFT	2	
		296251068	SEAL KIT	2	
17		510342801	PIN - EXPANSION 1/4 X 1 1/2 YZ	2	
18		276716001	PIN - SHIFT	2	
19		296266692	SHIM - ROD LOADER	A/R	
20		296265792	BAR - LOADER GUIDE	2	
21		75383001	NUT-1/2-UNC GR.8 JAM HEX	4	
22		550020	SQ HSS-1/2-13X2	4	

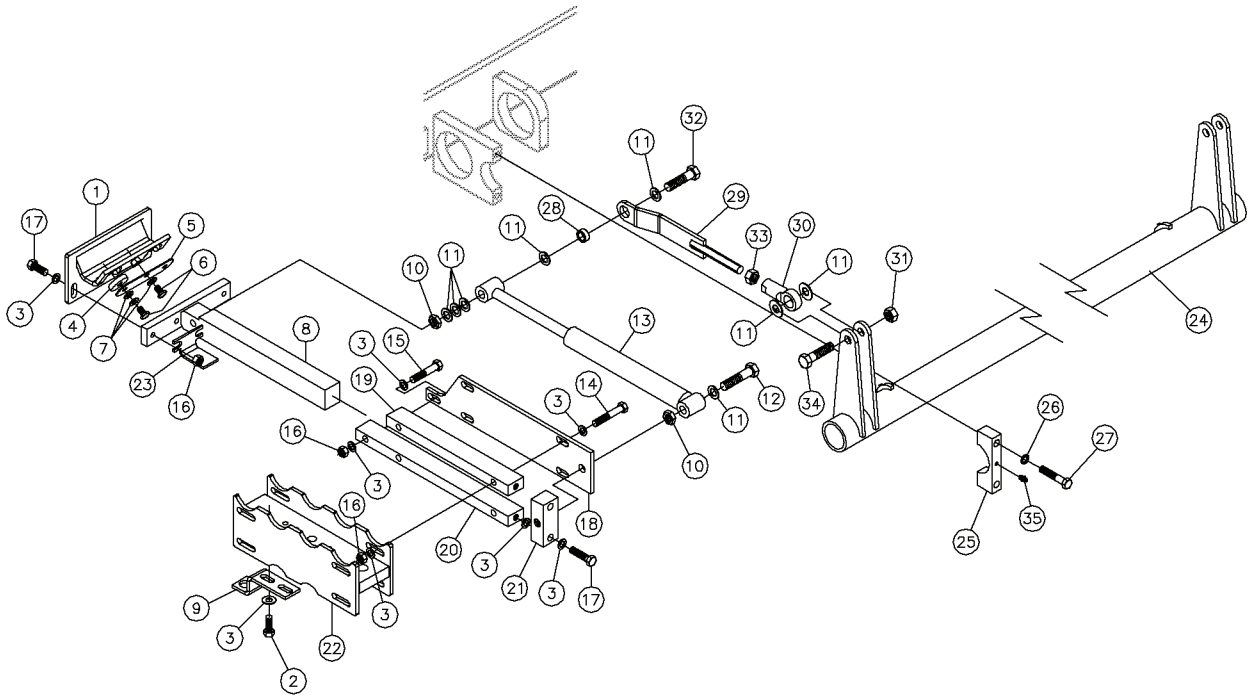
Row Selector Lift Assy Fig 10-3



## Row Selector Lift Assy Fig 10-3

REF. NO.	*	PART NO.	DESCRIPTION	QTY.	REMARKS
1		276681001	MOUNT - ROD LOADER	1	
2		296257493	MOUNT - ROD LOADER	1	
3		235721001	BOLT-1/2-13X1 1/2 GR8 ZINC PLT	16	
4		485025	WASHER-1/2 FLAT-HARDENED-ZINC	34	
5		250512001	NUT- 1/2 NC Gr8 TOP LOCK Y/ ZINC	16	
6		291638001	CYLINDER - 2"BORE X 3 3/8" STROKE HYDRAULIC	2	
		296263828	SHAFT	2	
		296263830	REPAIR KIT	2	
7		235737001	BOLT-1/2-13X1 1/4 GR8 ZINC PLT	2	
8		276728001	SLIDE - WEAR	2	
9		276720001	PIN - SELECTOR	2	
10		1788009	PIN EXPANSION 1/4 X 1 ZINC	2	
11		296260384	COMB - ROW SELECTOR	2	
12		276700001	BAR - POCKET BLOCK	2	
13		276717001	PIN - SHIFT	2	
14		510365811	SCREW-SQSET-.38-16X.75-GR5-YZ	2	
15		250576001	NUT-3/8 NC HEX JAM W/Y-ZINC	2	
16		294821001	CYL.-HYD.2" X 3"	2	
		296251066	SHAFT	2	
		296251068	SEAL KIT	2	
17		510342801	PIN - EXPANSION 1/4 X 1 1/2 YZ	2	
18		276716001	PIN - SHIFT	2	
19		296266692	SHIM - ROD LOADER	A/R	

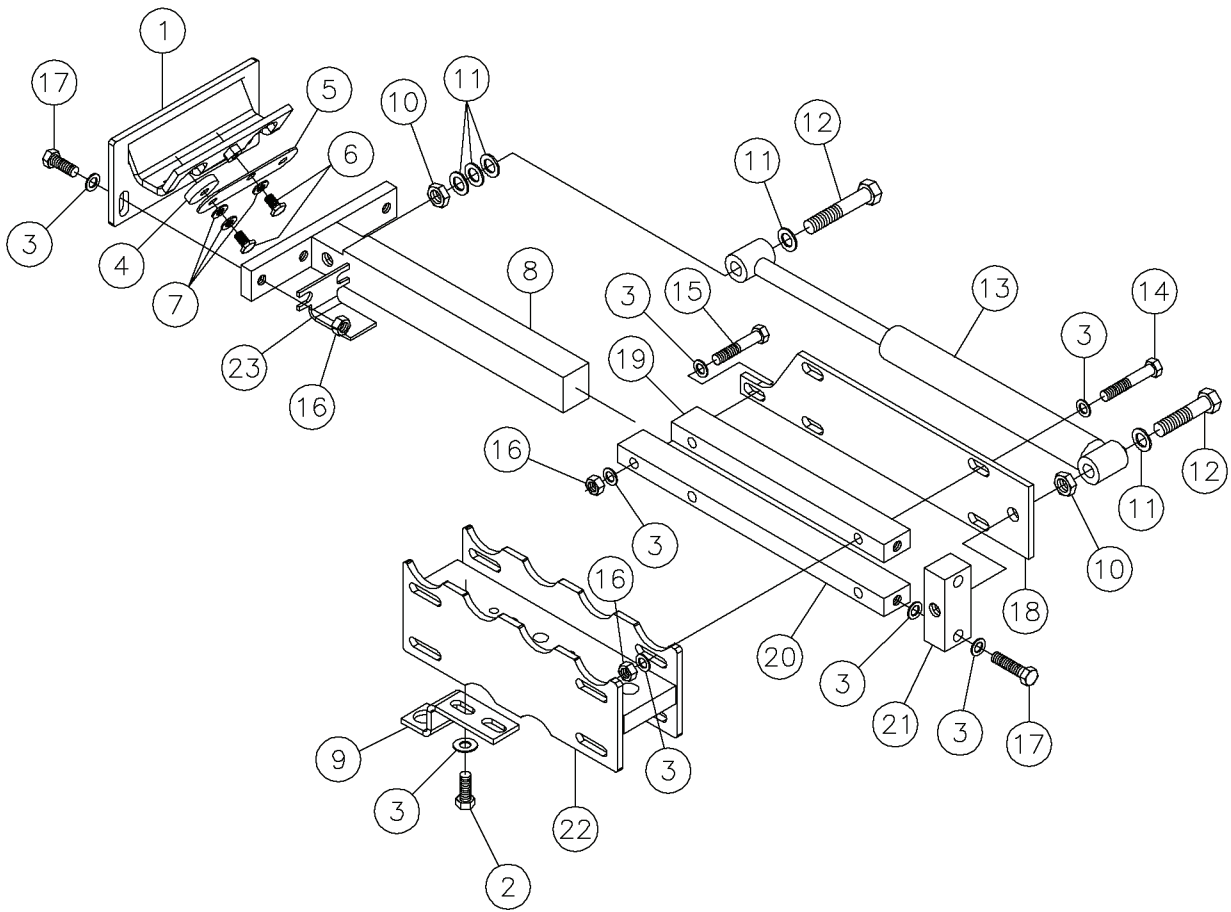
Extend retract Assy Fig 10-4r03



## Extend retract Assy Fig 10-4r03

REF. NO.	*	PART NO.	DESCRIPTION	QTY.	REMARKS
		Revision Date	May, 2005		Update In Illustration.
1		296279694	HOLDER-2.06 ROD	2	
2		235727001	BOLT-3/8-16X1 GR8 HEX ZINC PLT	4	
3		235713001	WASHER - FLATSTRL - .38 - .41 X .81 - .06-YA-A325	38	
4		282642001	MAGNET - 1.25" ROD HOLDER	4	
5		276742001	BAR - MAGNET MOUNT	2	
6		235740001	BOLT-5/16-18X1/2 GR8 ZINC PLT	6	
7		235714001	WASHER - FLATSTRL - .31 - .34 X .69 - .06-YZ-A325	10	
8		276726001	BAR - ROW SELECTOR	2	
9		296268957	PLATE - SENSOR MOUNT	2	
10		75383001	NUT-1/2-UNC GR.8 JAM HEX	4	
11		485025	WASHER-1/2 FLAT-HARDENED-YZ	16	
12		235744001	BOLT-1/2-13X2 3/4 GR8 ZNC PLTD	2	
13		276721001	CYLINDER - 1" X 6 1/2" HYD.	2	
		296265559	ROD - CYLINDER	2	
		296265561	REPAIR KIT	2	
14		250529001	BOLT 3/8-16X2 1/2"GR.8 HEX	8	
15		250504001	BOLT 3/8-16 X 2 1/4"GR8 HEX Y	2	
16		235725001	NUT - HEX - .38 - 16 - GR8 - YZ	12	
17		235723001	SCREW - HCS - .38 - 16 X 1.50 - GR8 - YZ	8	
18		276692001	PLATE - CAP	2	
19		276694001	BAR - SLIDE	2	
20		276693001	BAR - SLIDE	2	
21		276695001	BAR - CYLINDER BLOCK	2	
22		296275079	LIFTER - ROD	2	S/N 216-
23		296268958	PLATE - SENSOR TAB	2	
24		296275112	BAR - SYNCHRONIZER WELDMENT	1	
25		296275106	CAP - SYNCHRONIZER PIVOT	2	
26		480009	WASHER-7/16 S/T LOCK	4	
27		381020	BOLT-7/16-14X2 GRADE 8 HEX	4	
28		296275114	BUSHING - 1/2" X 3/4"	2	
29		296275121	LINK - ROD WELDMENT	2	
30		224291001	BALL JOINT-1/2-20 FEMALE THDS.	2	
31		250512001	NUT- 1/2 NC Gr8 TOP LOCK Y/ ZINC	2	
32		235724001	BOLT-1/2-13X3 GR8 HEX ZINC PLT	2	
33		3888001	NUT-1/2 N.F. HEX JAM	2	
34		235718001	BOLT-1/2-13X2 GR8 HEX ZINC PLT	2	
35		598001	FITTING-1/4" NF ST GREASE ZERK	2	

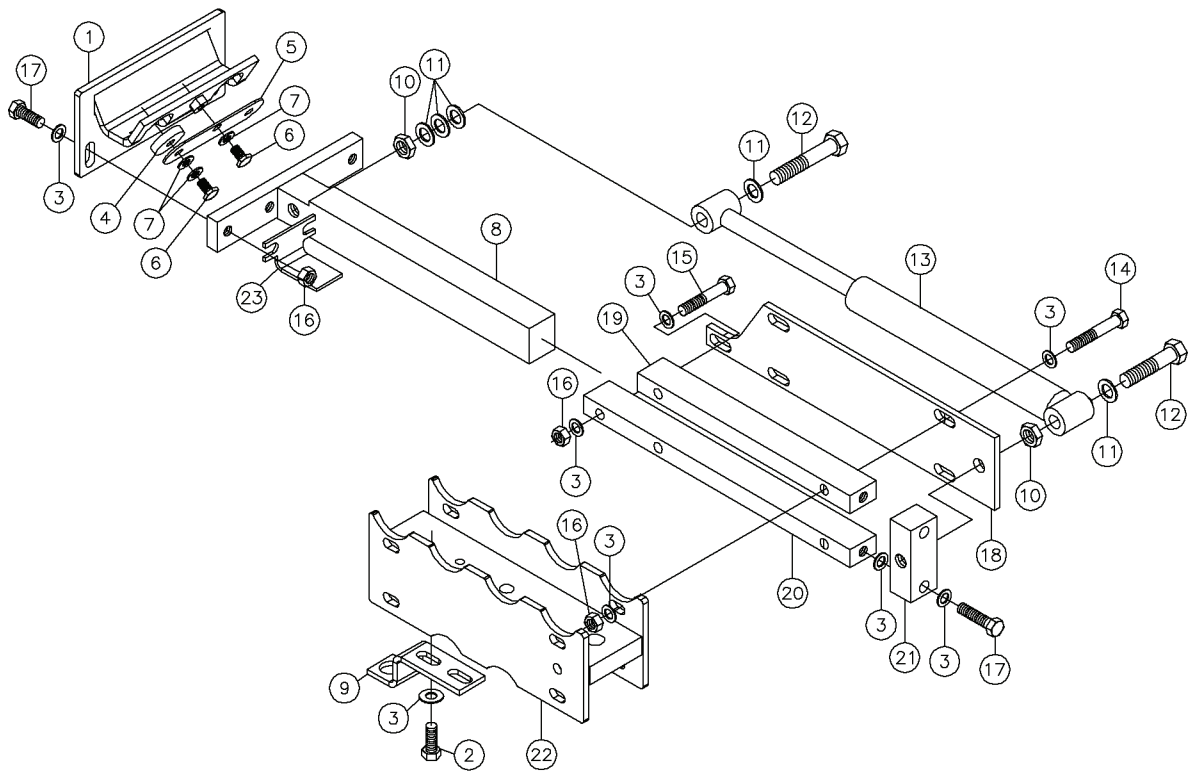
Extend retract Assy Fig 10-4r02



## Extend retract Assy Fig 10-4r02

REF. NO.	*	PART NO.	DESCRIPTION	QTY.	REMARKS
		Revision Date	July, 2004		Update In Illustration & Parts List.
1		276738001	HOLDER - ROD	2	
2		235727001	BOLT-3/8-16X1 GR8 HEX ZINC PLT	12	
3		235713001	WASHER - FLATSTRL - .38 - .41 X .81 - .06-YA-A325	38	
4		282642001	MAGNET - 1.25" ROD HOLDER	4	
5		276742001	BAR - MAGNET MOUNT	2	
6		235740001	BOLT-5/16-18X1/2 GR8 ZINC PLT	6	
7		235714001	WASHER - FLATSTRL - .31 - .34 X .69 - .06-YZ-A325	10	
8		276726001	BAR - ROW SELECTOR	2	
9		296268957	PLATE - SENSOR MOUNT	2	
10		75383001	NUT-1/2-UNC GR.8 JAM HEX	4	
11		485025	WASHER-1/2 FLAT-HARDENED-YZ	10	
12		235744001	BOLT-1/2-13X2 3/4 GR8 ZNC PLTD	4	
13		276721001	CYLINDER - 1" X 6 1/2" HYD.	2	
		296265559	ROD - CYLINDER	2	
		296265561	REPAIR KIT	2	
14		250529001	BOLT 3/8-16X2 1/2"GR.8 HEX	8	
15		250504001	BOLT 3/8-16 X 2 1/4"GR8 HEX Y	2	
16		235725001	NUT - HEX - .38 - 16 - GR8 - YZ	12	
17		235723001	SCREW - HCS - .38 - 16 X 1.50 - GR8 - YZ	8	
18		276692001	PLATE - CAP	2	
19		276694001	BAR - SLIDE	2	
20		276693001	BAR - SLIDE	2	
21		276695001	BAR - CYLINDER BLOCK	2	
22		296275079	LIFTER - ROD	2	S/N 216-
23		296268958	PLATE - SENSOR TAB	2	

Extend retract Assy Fig 10-4r01

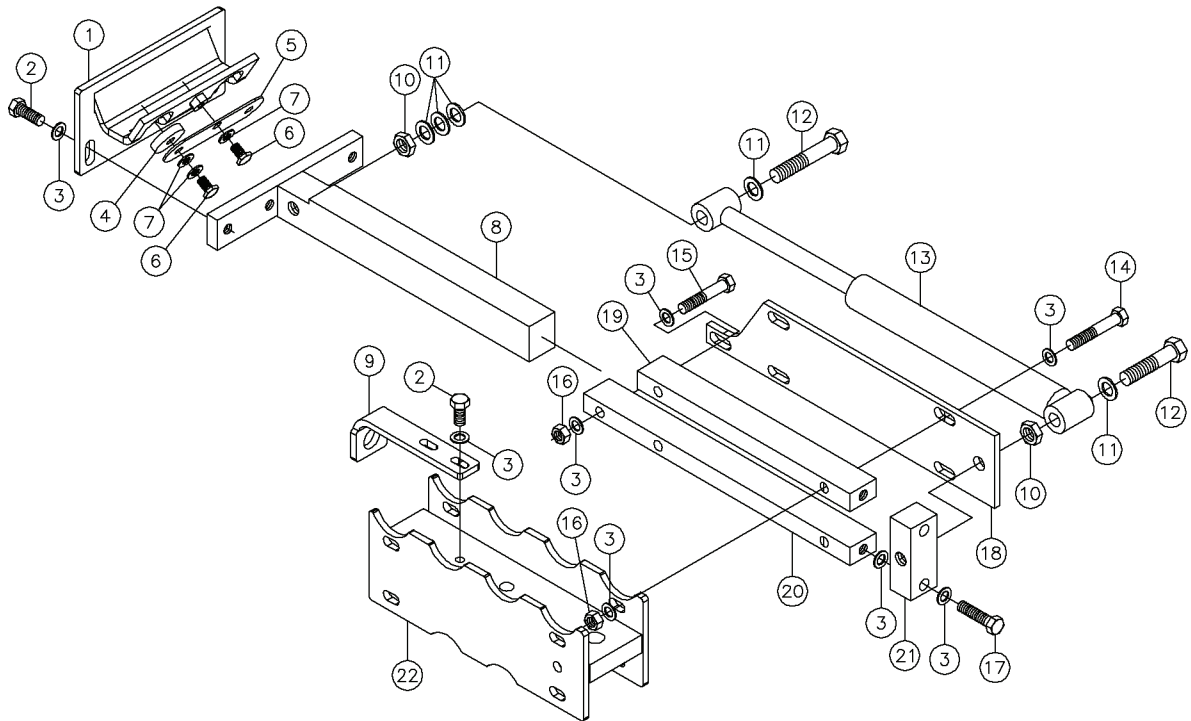




## Extend retract Assy Fig 10-4r01

REF. NO.	*	PART NO.	DESCRIPTION	QTY.	REMARKS
		Revision Date	February, 2004		Update In Illustration & Parts List.
1		276738001	HOLDER - ROD	2	
2		235727001	BOLT-3/8-16X1 GR8 HEX ZINC PLT	12	
3		235713001	WASHER - FLATSTRL - .38 - .41 X .81 - .06-YA-A325	38	
4		282642001	MAGNET - 1.25" ROD HOLDER	4	
5		276742001	BAR - MAGNET MOUNT	2	
6		235740001	BOLT-5/16-18X1/2 GR8 ZINC PLT	6	
7		235714001	WASHER - FLATSTRL - .31 - .34 X .69 - .06-YZ-A325	10	
8		276726001	BAR - ROW SELECTOR	2	
9		296268957	PLATE- SENSOR MOUNT	2	
10		75383001	NUT-1/2-UNC GR.8 JAM HEX	4	
11		485025	WASHER-1/2 FLAT-HARDENED-ZINC	10	
12		235744001	BOLT-1/2-13X2 3/4 GR8 ZNC PLTD	4	
13		276721001	CYLINDER - 1" X 6 1/2" HYD.	2	
		296265559	ROD - CYLINDER	2	
		296265561	REPAIR KIT	2	
14		250529001	BOLT 3/8-16X2 1/2"GR.8 HEX	8	
15		250504001	BOLT 3/8-16 X 2 1/4"GR8 HEX Y	2	
16		235725001	NUT - HEX - .38 - 16 - GR8 - YZ	12	
17		235723001	SCREW - HCS - .38 - 16 X 1.50 - GR8 - YZ	8	
18		276692001	PLATE - CAP	2	
19		276694001	BAR - SLIDE	2	
20		276693001	BAR - SLIDE	2	
21		276695001	BAR - CYLINDER BLOCK	2	
22		296260385	LIFTER - ROD	2	
23		296268958	PLATE-SENSOR TAB	2	

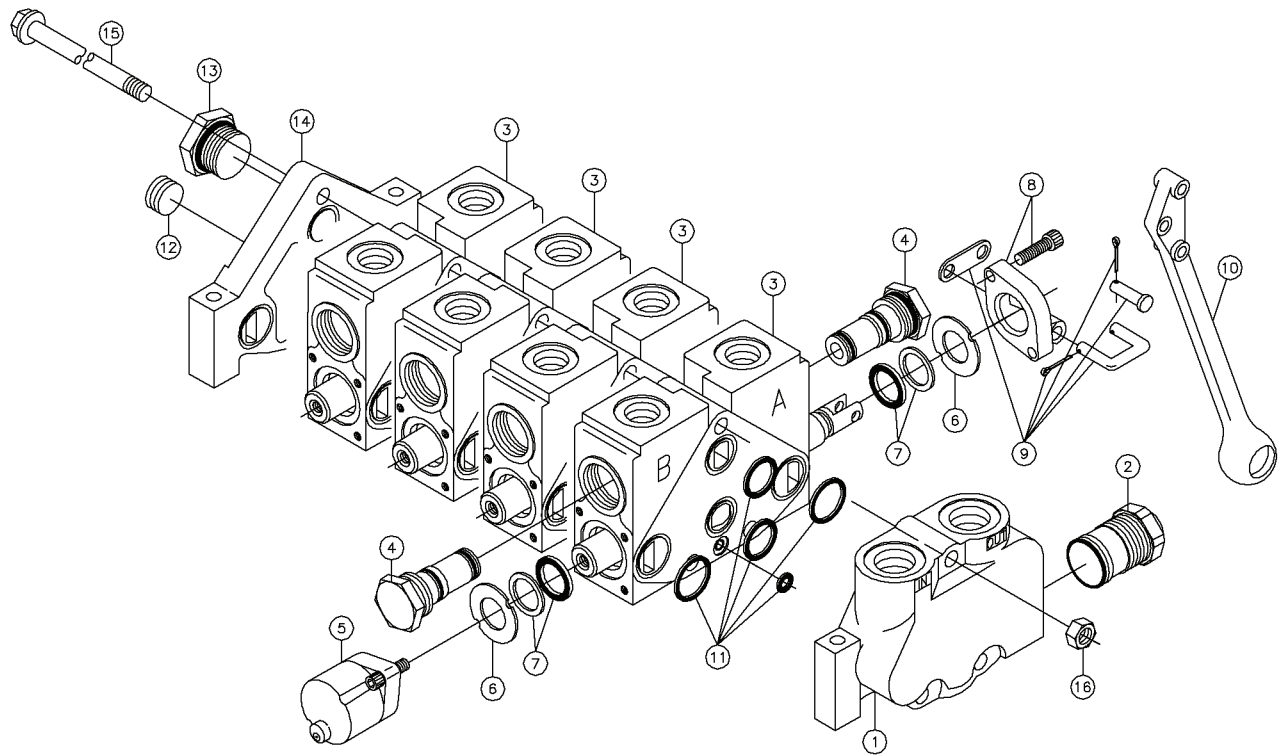
Extend retract Assy Fig 10-4



## Extend retract Assy Fig 10-4

REF. NO.	*	PART NO.	DESCRIPTION	QTY.	REMARKS
1		276738001	HOLDER - ROD	2	
2		235727001	BOLT-3/8-16X1 GR8 HEX ZINC PLT	10	
3		235713001	WASHER - FLATSTRL - .38 - .41 X .81 - .06-YA-A325	36	
4		282642001	MAGNET - 1.25" ROD HOLDER	4	
5		276742001	BAR - MAGNET MOUNT	2	
6		235740001	BOLT-5/16-18X1/2 GR8 ZINC PLT	6	
7		235714001	WASHER - FLATSTRL - .31 - .34 X .69 - .06-YZ-A325	10	
8		276726001	BAR - ROW SELECTOR	2	
9		296266650	PLATE- SENSOR MOUNT	2	
10		75383001	NUT-1/2-UNC GR.8 JAM HEX	4	
11		485025	WASHER-1/2 FLAT-HARDENED-ZINC	10	
12		235744001	BOLT-1/2-13X2 3/4 GR8 ZNC PLTD	4	
13		276721001	CYLINDER - 1" X 6 1/2" HYD.	2	
		296265559	ROD - CYLINDER	2	
		296265561	REPAIR KIT	2	
14		250529001	BOLT 3/8-16X2 1/2"GR.8 HEX	8	
15		250504001	BOLT 3/8-16 X 2 1/4"GR8 HEX Y	2	
16		235725001	NUT - HEX - .38 - 16 - GR8 - YZ	10	
17		235723001	SCREW - HCS - .38 - 16 X 1.50 - GR8 - YZ	4	
18		276692001	PLATE - CAP	2	
19		276694001	BAR - SLIDE	2	
20		276693001	BAR - SLIDE	2	
21		276695001	BAR - CYLINDER BLOCK	2	
22		296260385	LIFTER - ROD	2	

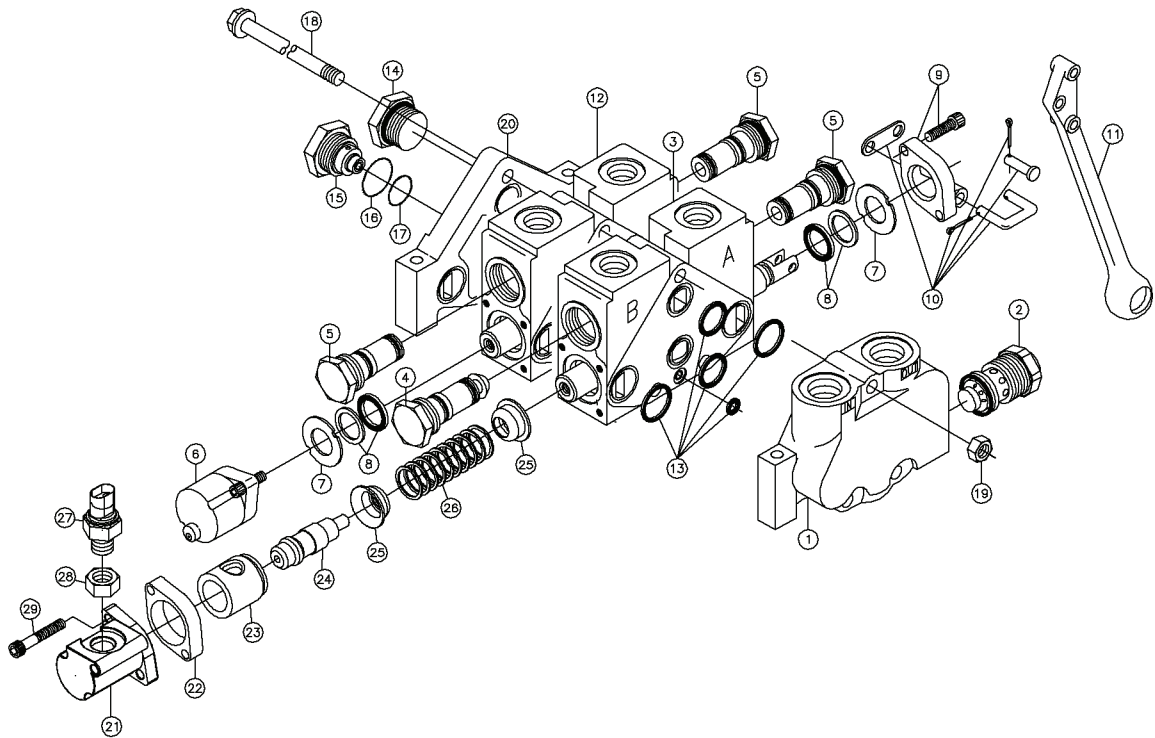
Stakedown Control Valve Components Fig 11-1



## Stakedown Control Valve Components Fig 11-1

REF. NO.	*	PART NO.	DESCRIPTION	QTY.	REMARKS
1		10867007	LEFT COVER PLATE COMPLETE	1	Inc Ref 2
2		10867003	PLUG-NO. RELIEF GRESEN K-6132	1	
		10867005	REP. KIT-NO RELF PLUG GK28062	1	
3		296265638	BODY ASSY- CENTER SECTION	1	Inc Ref 4-10
4		87396001	PLUG-LOAD CHECK	8	
		3147037	REPAIR KIT GRESEN K-6032	8	
5		6149005	POSITIONER-STD. GRESEN K-6125	4	
6		3147081	RETAIN-PLT WASH GRSN 6752-001	8	
7		3147077	REPAIR KIT GRESEN K-6035	4	Inc Two O-ring & Two B/U
8		3148003	BRACKET-HANDLE GRESEN K-6031	4	
9		296265633	KIT-LINK & PIN	4	
10		3147039	HANDLE - CP VALVE - #1802-001	4	
11		87390001	REPAIR KIT-LOAD SENSING SECT.	5	
12		3213017	PLUG-RELIEF 3/8" GRESEN 73-001	1	
13		3152011	PLUG SAE 12 GRESEN 1726-001	1	
14		245187005	COVER ASSY - RIGHT	1	
15		14173003	STUD KIT-4 SECT.GRESEN K-6107	1	Inc Ref 16
16		446001	NUT-3/8 NF HEX	3	
		296257243	VALVE - 4 - SECTION CONTROL		Inc Ref 1-16

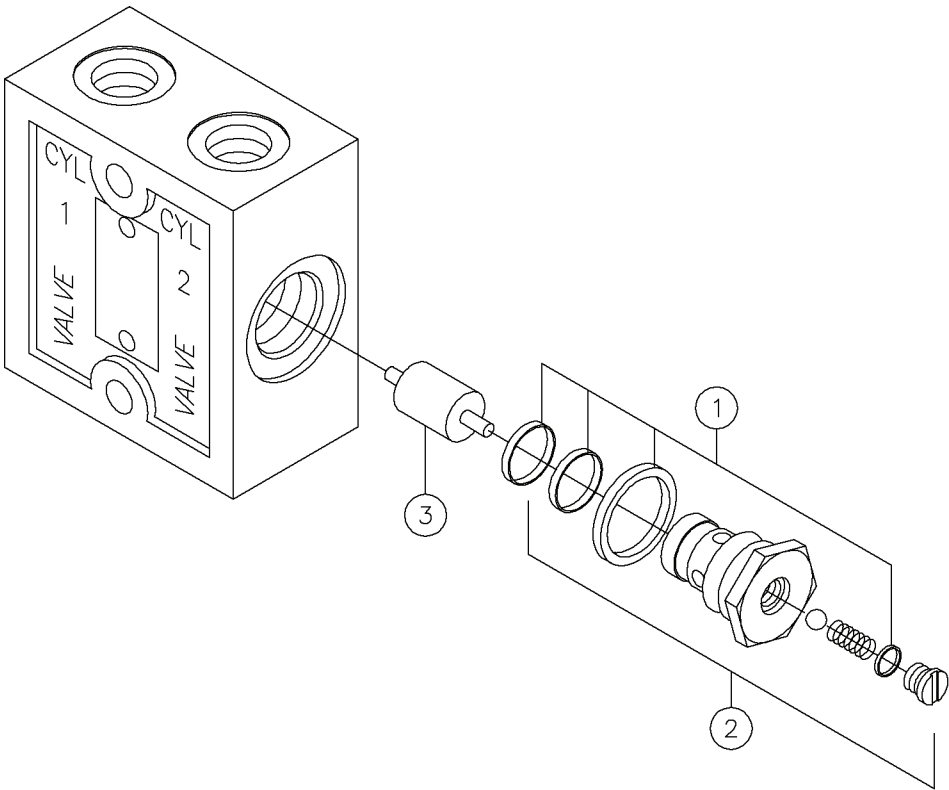
Rack Pivot Control Valve Components Fig 11-2r01



## Rack Pivot Control Valve Components Fig 11-2r01

REF. NO.	*	PART NO.	DESCRIPTION	QTY.	REMARKS
		Revision Date	February, 2004		Update In Illustration & Parts List.
1		296265631	LEFT COVER PLATE-COMPLETE	1	Inc Ref 2
2		228113005	WH MAIN RELIEF (3500 PSI)	1	
		15844007	REPAIR KIT-K19003	1	
3		296265632	BODY ASSY- CENTER SECTION	1	Inc Ref 4-11
4		3147035	PLUG-LOAD CHECK STEEL	1	
		3147037	REPAIR KIT GRESEN K-6032	1	
5		87396001	PLUG-LOAD CHECK	3	
		3147037	REPAIR KIT GRESEN K-6032	3	
6		6149005	POSITIONER-STD. GRESEN K-6125	2	
7		3147081	RETAIN-PLT WASH GRSN 6752-001	4	
8		3147077	REPAIR KIT GRESEN K-6035	2	Inc Two O-ring & Two B/U
9		3148003	BRACKET-HANDLE GRESEN K-6031	2	
10		296265633	KIT-LINK & PIN	2	
11		3147039	HANDLE - CP VALVE - #1802-001	2	
12		296265634	BODY ASSY- CENTER SECTION	1	Inc Ref 5-11
13		87390001	REPAIR KIT-LOAD SENSING SECT.	3	
14		3152011	PLUG SAE 12 GRESEN 1726-001	1	
15		296265635	PLUG-LOAD SENSE BLEED	1	Inc Ref 16&17
16		3152013	SEAL-O-RING GRESEN 2708-001	1	
17		296265636	O-RING	1	
18		16358003	STUD KIT-2 SPOOL K 6-105	1	
19		446001	NUT-3/8 NF HEX	3	
20		296265637	RIGHT COVER PLATE- COMPLETE	1	Inc Ref 14-17
21		236458015	BONNET	1	
22		236458007	SPACER	1	
23		236458012	SLEEVE	1	
24		236458011	SWITCH SPUD	1	
25		236458008	SPRING COLLAR	2	
26		236458010	SPRING	1	
27		296271068	SWITCH, INTERLOCK	1	
28		236458014	HEX JAM NUT	1	
29		236458009	SCREW	2	
		296257181	VALVE - 2 - SECTION		Inc Ref 1-20

Load Valve Components Fig 11-3

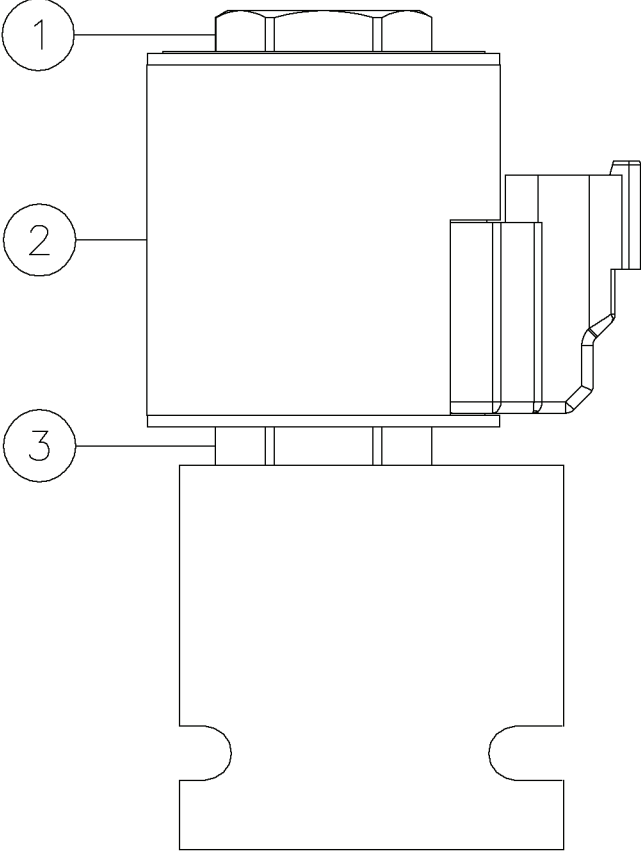




## Load Valve Components Fig 11-3

REF. NO.	*	PART NO.	DESCRIPTION	QTY.	REMARKS
1		3216003	REPAIR KIT		Inc Two Of Ref 2
2		3216005	REBUILDING KIT-D		Inc Two of Ref 2 & One Of Ref 3
3		NSS	PISTON-D	1	
		86668001	VALVE-LOA-6-D		Inc All Items In Illustration
		NSS	NOT SOLD SEPARATELY		

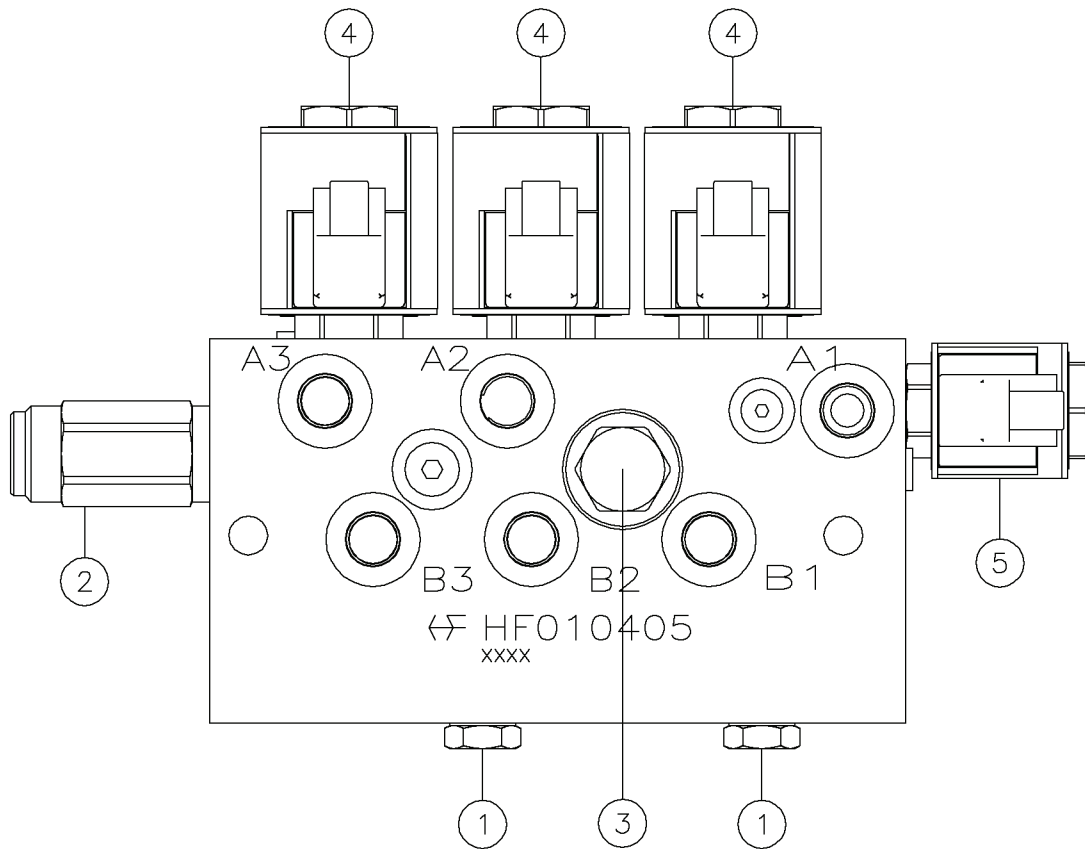
Stakedown Enable Valve Components Fig 11-4



## Stakedown Enable Valve Components Fig 11-4

REF. NO.	*	PART NO.	DESCRIPTION	QTY.	REMARKS
1		296265598	NUT - COIL	1	
2		296265644	COIL	1	
3		218499005	CARTRIDGE-SOLENOID	1	Inc Nut & Seal Kit
		240324005	SEAL KIT	1	
		296266539	VALVE - STAKEDOWN ENABLE		Inc All items in illustration

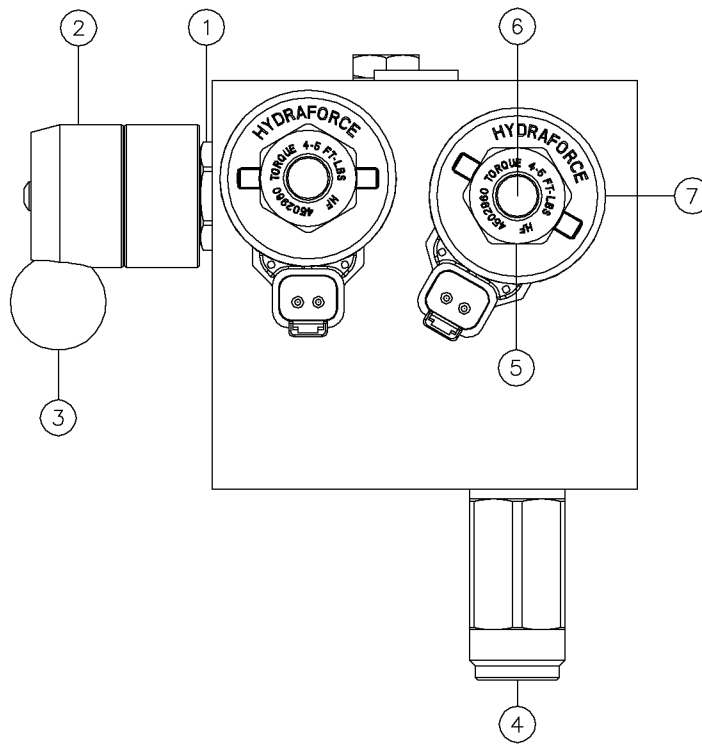
Vise Control Valve Components Fig 11-5



## Vise Control Valve Components Fig 11-5

REF. NO.	*	PART NO.	DESCRIPTION	QTY.	REMARKS
1		228128013	SENSE CHECK	1	
		228128015	SEAL KIT	1	
2		296265593	VALVE-PRESSURE CONTROL	1	
		296251085	SEAL KIT	1	
3		296265594	VALVE-CHECK	1	
		296265595	SEAL KIT	1	
4		296265596	CARTRIDGE-SOLENOID VALVE	3	Inc Nut & Seal Kit
		296265597	COIL	3	
		296265598	NUT-COIL	3	
		296265599	SEAL KIT	3	
5		296265600	CARTRIDGE-SOLENOID VALVE	1	Inc Nut & Seal Kit
		296265527	COIL	1	
		296265598	NUT-COIL	1	
		296265595	SEAL KIT	1	
		296266538	VALVE - VISE CONTROL		Inc All Items In Illustration

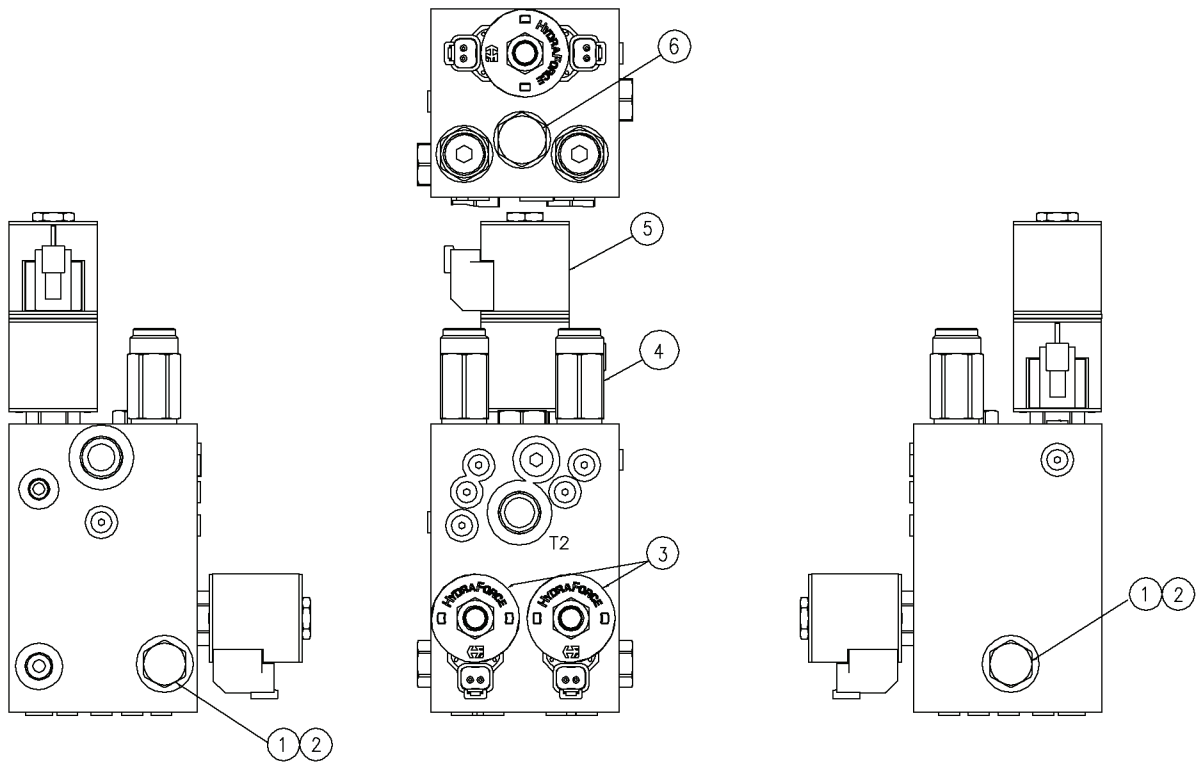
Water Control Valve Components Fig 11-6r01



## Water Control Valve Components Fig 11-6r01

REF. NO.	*	PART NO.	DESCRIPTION	QTY.	REMARKS
		Revision Date	May, 2008		Change Part Number
1		296265645	FLOW CONTROL-MANUAL ROTARY	1	
		500659019	SEAL KIT-SOLENOID,SPOOL,2-WAY	1	
2		296272916	KNOB KIT	1	Inc Ref 3
3		263797001	KNOB-BALL	1	
4	*	296302416	CARTRIDGE	1	
		251117013	SEAL KIT	1	
5		296265598	NUT - COIL	2	
6		218499005	CARTRIDGE-SOLENOID	2	Inc Nut & Seal Kit
		240324005	SEAL KIT	2	
7		296265644	COIL	2	
		296257420	VALVE - WATER CONTROL		Inc All Items In Figure

Rod Loader Valve Components Fig 11-7r02

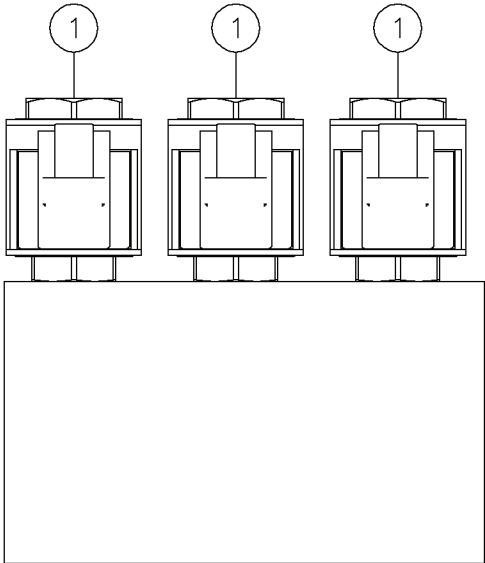




## Rod Loader Valve Components Fig 11-7r02

REF. NO.	*	PART NO.	DESCRIPTION	QTY.	REMARKS
		Revision Date	May, 2005		Update In Illustration.
1		246415003	PILOT PISTON	2	
2		296271083	CHECK VALVE	2	
		296271087	SEAL KIT	1	
3		296265596	CARTRIDGE - SOLENOID VALVE	2	
		296271077	COILS	2	
4		296271084	SEQUENCING VALVE	2	
		296271088	SEAL KIT	1	
5		296271086	SOLENOID VALVE	1	
		296271077	COILS	2	
		296265599	SEAL KIT	1	
6		296271085	CAVITY PLUG	1	
		296271089	SEAL KIT	1	
		296272080	VALVE - ROD LOADER SPLIT T LINE		Inc All Items In Figure

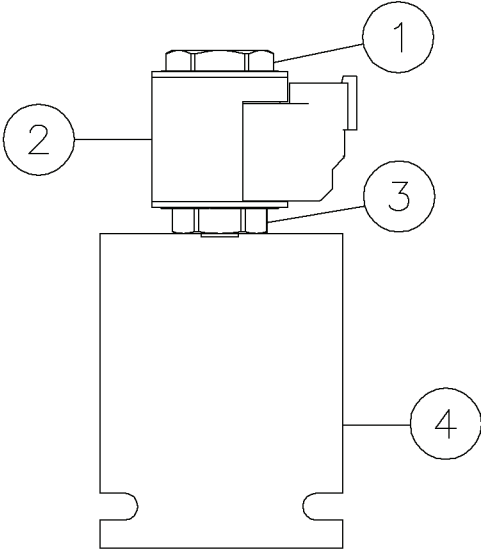
Pivot Control Valve Components Fig 11-8



## Pivot Control Valve Components Fig 11-8

REF. NO.	*	PART NO.	DESCRIPTION	QTY.	REMARKS
1		161158001	SPOOL-3 WAY	3	Inc Nut & Seal Kit
		296265527	COIL	3	
		296256598	NUT-COIL	3	
		161159001	SEAL KIT	3	
		296257416	VALVE - PILOT CONTROL		Inc All Items In Fig

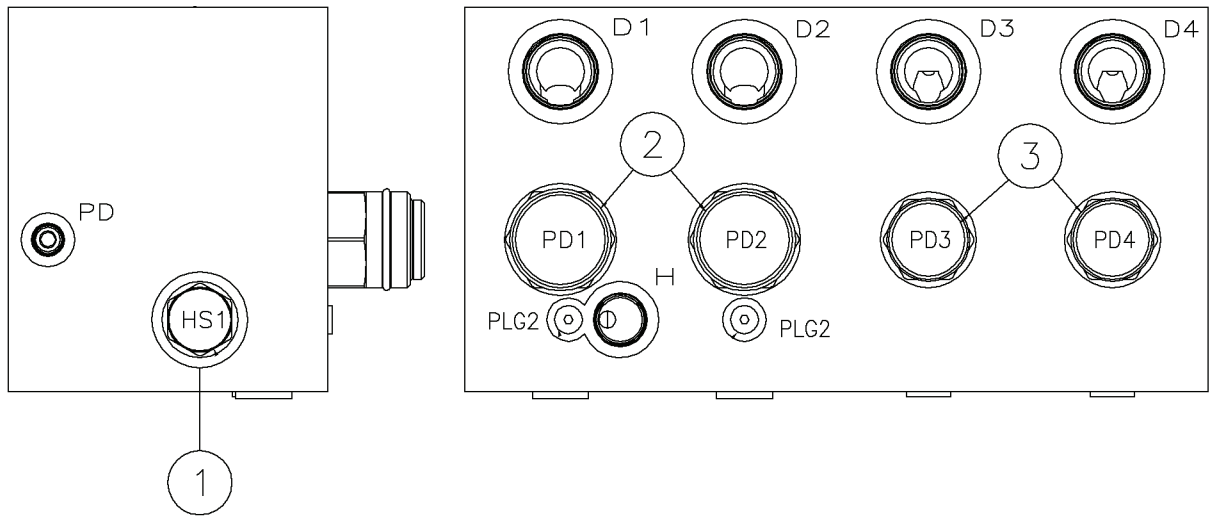
Greaser Valve Components Fig 11-9



## Greaser Valve Components Fig 11-9

REF. NO.	*	PART NO.	DESCRIPTION	QTY.	REMARKS
1		296265526	NUT-COIL	1	
2		296265527	COIL	1	
3		244725009	CARTRIDGE - SOLENOID	1	
		244725011	SEAL KIT	1	
4		NSS	BLOCK	1	
		294901001	VALVE - GREASER	1	Inc Ref 1-4
		NSS	NOT SOLD SEPARATELY		

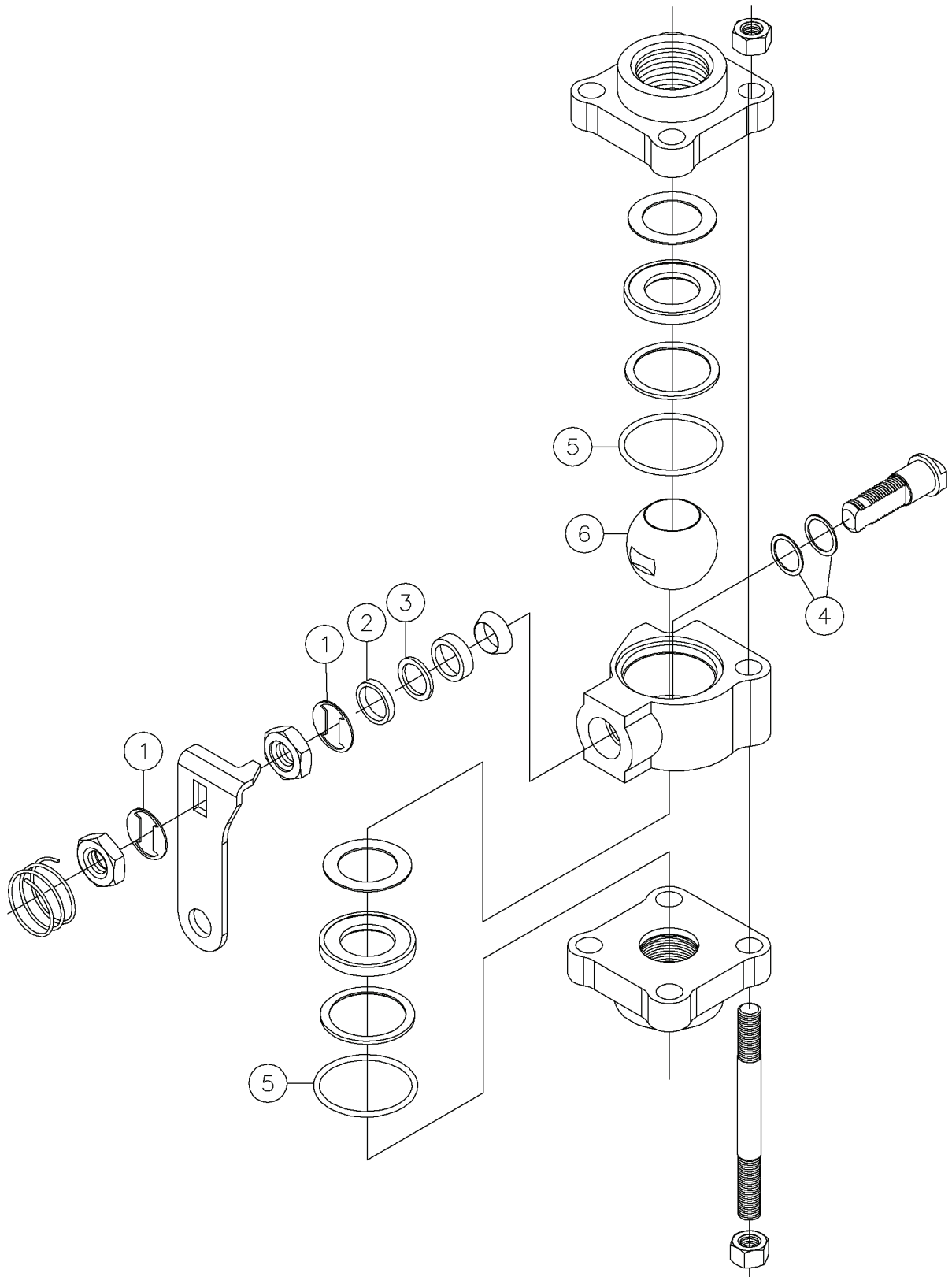
Thrust/Transport Valve Components Fig 11-10



## Thrust/Transport Valve Components Fig 11-10

REF. NO.	*	PART NO.	DESCRIPTION	QTY.	REMARKS
1		251117003	SHUTTLE - HOT OIL (SPRINGLESS)	1	
2		296251267	VALVE-PILOTED 3 WAY EXT-VENT	2	
		296251045	SEAL KIT-DIVERTER VALVE	2	
3		296251272	VALVE-PILOTED 3 WAY SPOOL-EXT.VENT	2	
		279112001	SEAL KIT	2	
		278291001	VALVE - THRUST / TRANSPORT	1	Inc All Items In Illustration

Water Shutoff Valve Components Fig 11-11

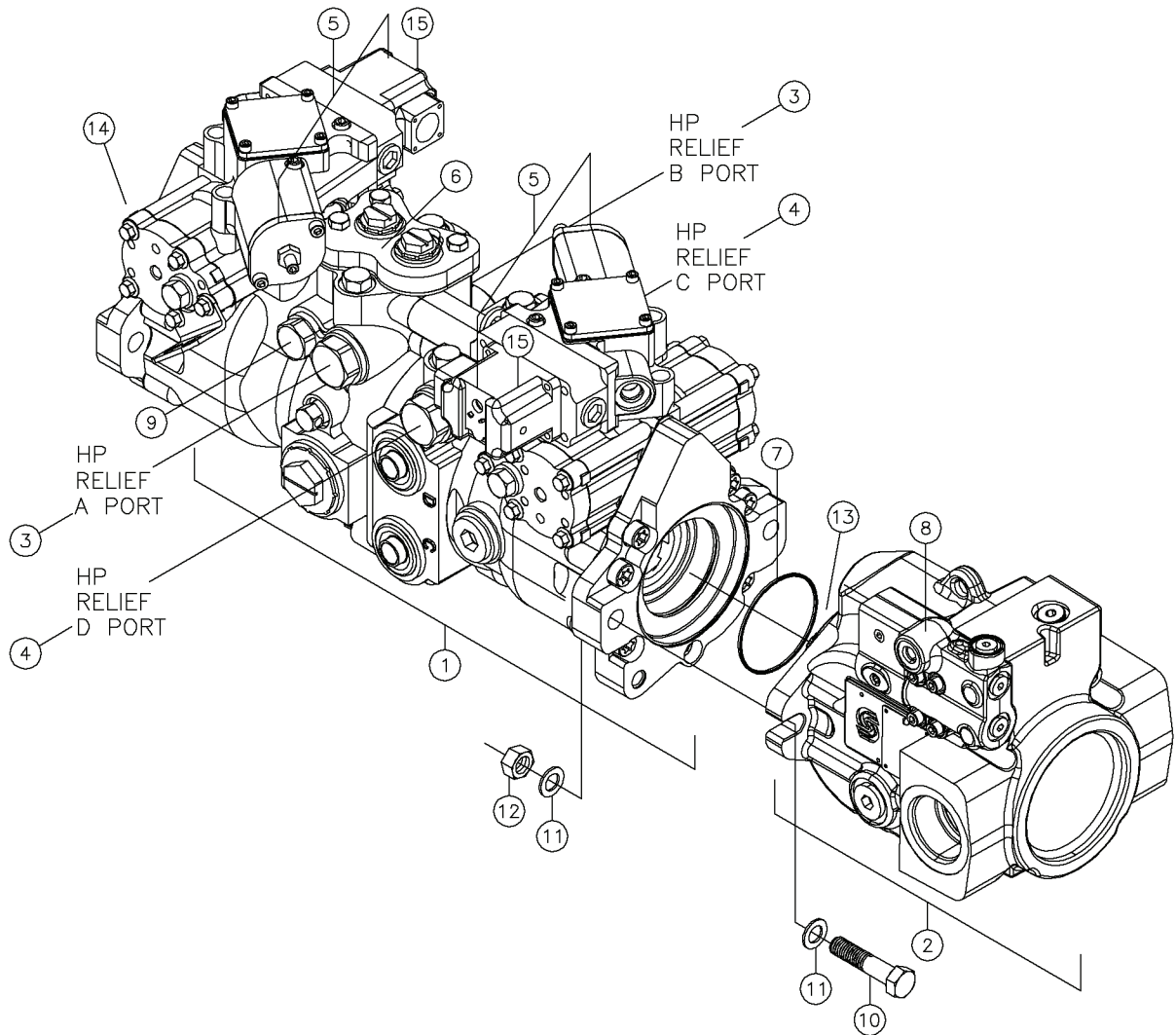




## Water Shutoff Valve Components Fig 11-11

REF. NO.	*	PART NO.	DESCRIPTION	QTY.	REMARKS
1		NSS	STEM SPRING	2	
2		NSS	GLAND	1	
3		NSS	PACKING SUPPORT	1	
4		NSS	BEARING - STEM	2	
5		NSS	O-RING	2	
6		245079025	BALL	1	
		245079039	KIT-MAINTENANCE		Inc Ref 1-5
		278003001	VALVE - 1" 1500 PSI BRASS BALL		Inc All Items In Illustration
		NSS	NOT SOLD SEPARATELY		

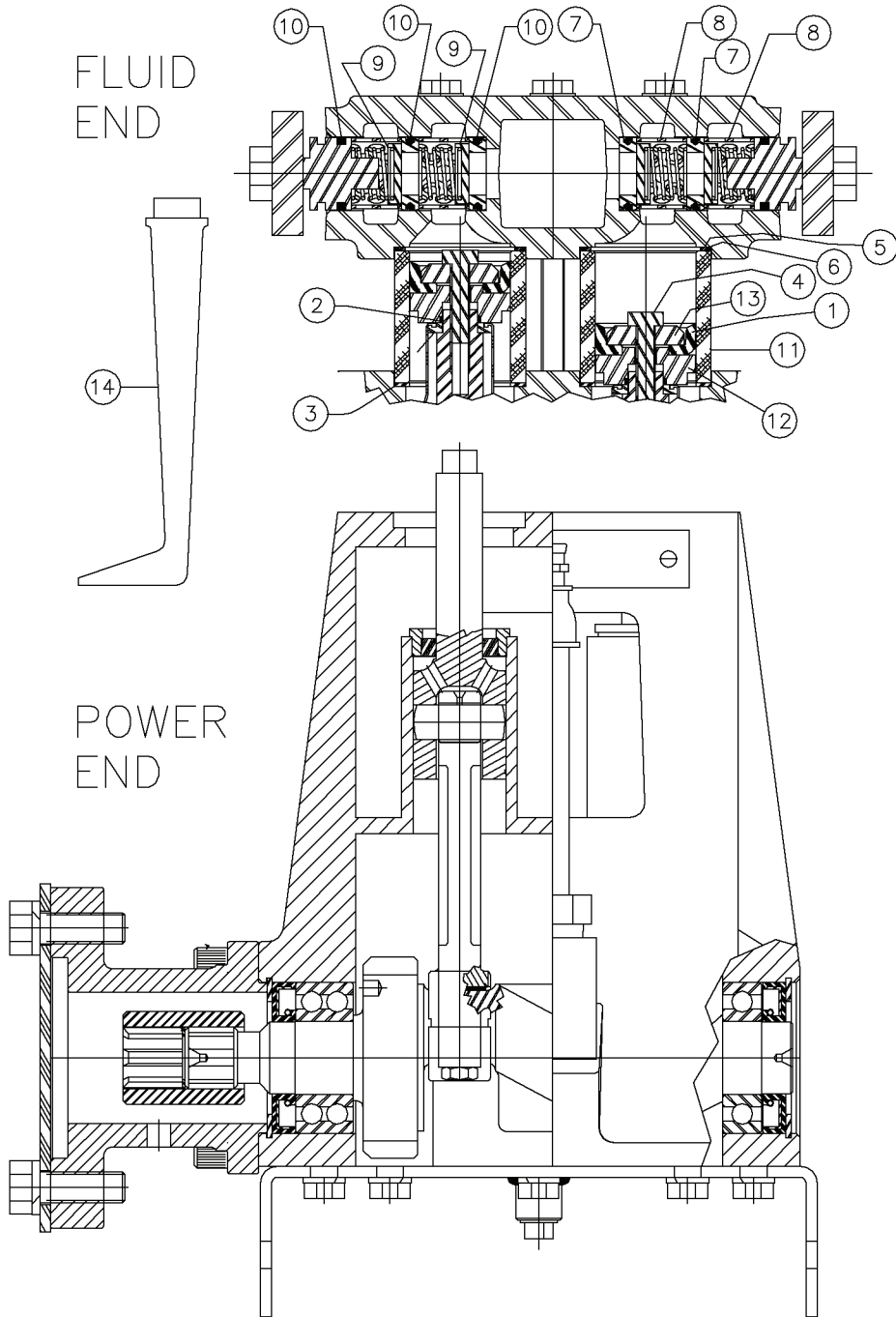
Tandem Hydro/Pfc Pump Components Fig 11-12



## Tandem Hydro/Pfc Pump Components Fig 11-12

REF. NO.	*	PART NO.	DESCRIPTION	QTY.	REMARKS
1		296265579	PUMP-40 SERIES	1	
2		296265580	PUMP-45 SERIES 25CC	1	
3		296265581	RELIEF VALVE-HP 210/3045	2	
		78518037	O-RING	1	
4		296265582	RELIEF VALVE-HP 230/3335	2	
		78518037	O-RING	3	
5		296265583	CONTROLLER-EDC	2	
		85642027	O-RING	2	Qty Per Controller
		296265584	O-RING	1	Qty Per Controller
		68859045	SCREW	2	Qty Per Controller (Long)
		205305001	BOLT	2	Qty Per Controller (Short)
6		296265585	FILTER ADAPTER SEAL REMOTE	1	
		296265586	O-RING	3	
7		296265587	O-RING-B PAD	1	
8		296265588	COMPENSATOR	1	
		296265589	O-RING	4	
		254674047	SCREW	4	
9		113080029	CHARGE RELIEF VALVE	1	
		113080027	CHARGE RELIEF VALVE SPRING	1	
		113080023	O-RING	1	
10		235744001	BOLT-1/2-13X2 3/4 GR8 ZNC PLTD	2	
11		485025	WASHER-1/2 FLAT-HARDENED-ZINC	4	
12		235731001	NUT-1/2-13 GR8 ZINC PLTD	2	
13		296265590	SEAL-SHAFT	1	
14		70027003	SEAL-LIP (SHAFT SEAL)	1	
15		68859151	PILOT ASSY-	1	
		296257180	PUMP - TANDEM HYDRO/PFC	1	Inc All Items In Illustration

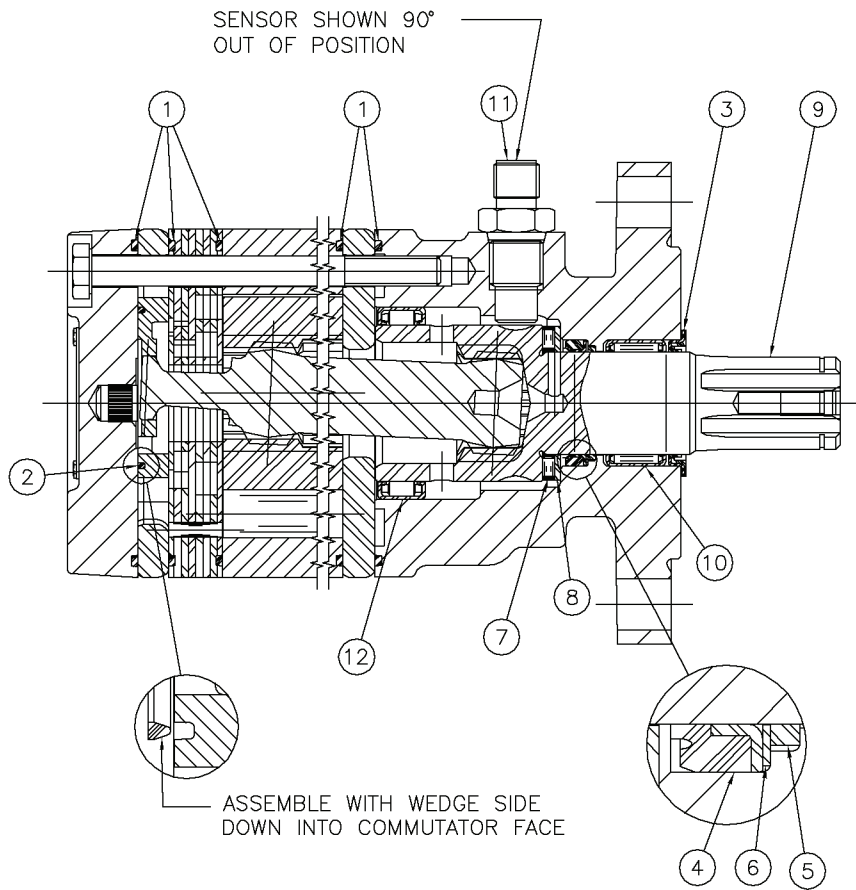
Water Pump Components Fig 11-13



## Water Pump Components Fig 11-13

REF. NO.	*	PART NO.	DESCRIPTION	QTY.	REMARKS
1		NSS	PACKING 1 5/8 HSN	4	
2		NSS	O-RING-11/16 OD X9/16ID-1/16	4	
3		NSS	GASKET-CYLINDER	4	
4		NSS	CAPSCREW-HEX HD 5/16-18X1 1/2	4	
5		NSS	SEAL RING 38-5	4	
6		NSS	O-RING-2 1/8"OD X 1/16	4	
7		NSS	SEAT-VALVE	8	
8		NSS	VALVE CAGE	8	
9		NSS	DISC AND SPRING ASSEMBLY	8	
10		NSS	O-RING 1.1875 OD X .125	12	
11		224667003	CYLINDER 1 5/8	4	
12		224667005	PACKING HOLDER 1 5/8	4	
13		229367039	PACKING WASHER	4	
14		236318067	TOOL-VALVE PULLER	1	
		234680019	VALVE KIT		Inc Two Of Ref 3-5 & Three Of Ref 7
		234680021	PACKING KIT		Inc Two Of Ref 1, 14, 18 & 22-24
		236318001	PUMP - WATER		Inc All Items In Illustration
		NSS	NOT SOLD SEPARATELY		

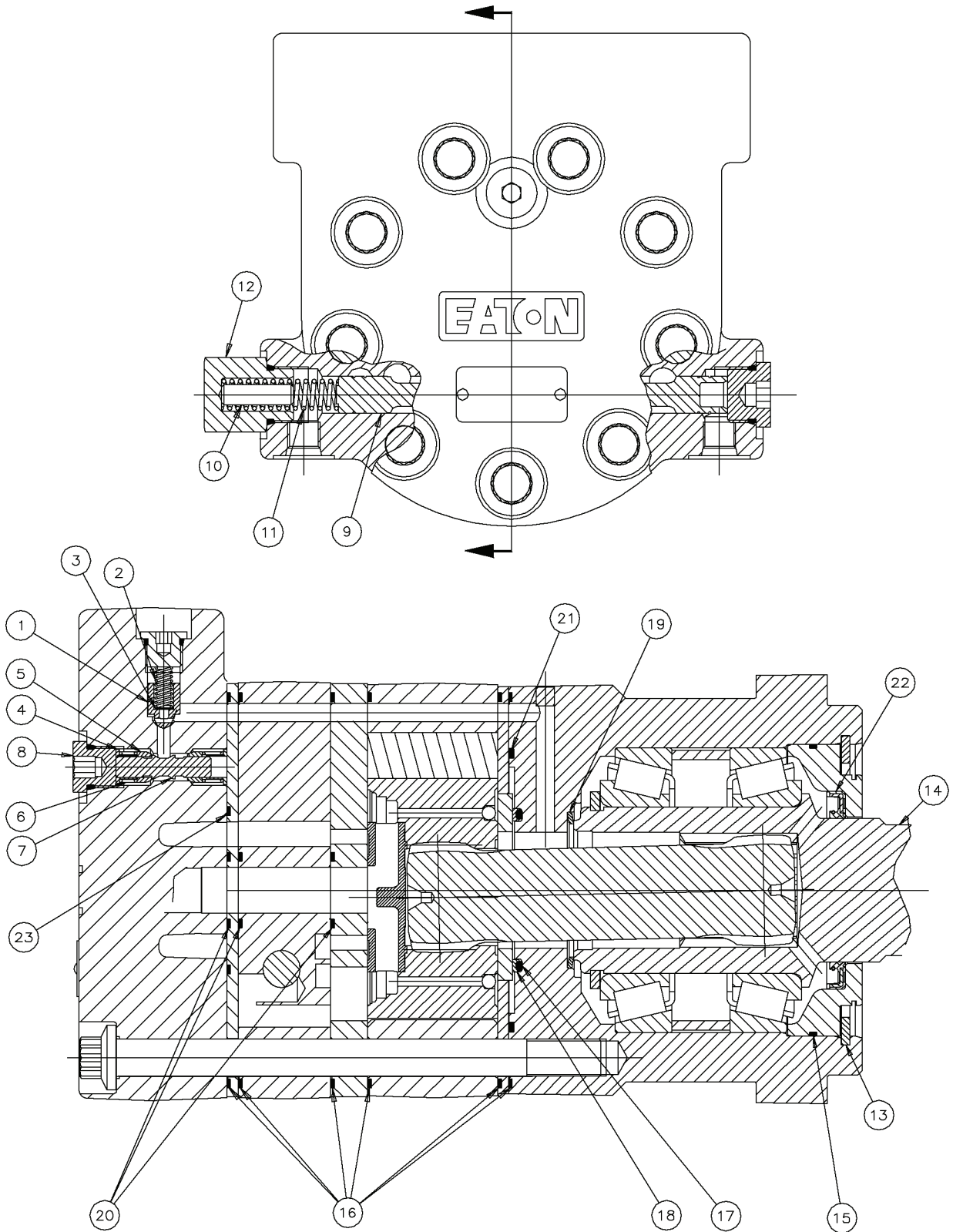
Water Pump Motor Components Fig 11-14



## Water Pump Motor Components Fig 11-14

REF. NO.	*	PART NO.	DESCRIPTION	QTY.	REMARKS
1		NSS	SEAL-RING	5	
2		NSS	BONDED RING-032435	1	
3		NSS	DIRT & WATER SEAL	1	
4		NSS	INNER SEAL	1	
5		NSS	BACKUP RING	1	
6		NSS	BACKUP WASHER	1	
7		93285027	THRUST BEARING	1	
8		296265643	WASHER-THRUST	1	
9		287506003	COUPLING SHAFT	1	
10		236317015	NEEDLE BEARING	1	
11		287506005	SENSOR	1	
12		236317011	NEEDLE BEARING	1	
		93285003	REPAIR KIT		Inc Ref 1-6
		287506001	MOTOR - ROSS MF W/ SPEED SENSOR		Inc All Items In Illustration
		NSS	NOT SOLD SEPARATELY		

Gearbox Motor Components Fig 11-15r02

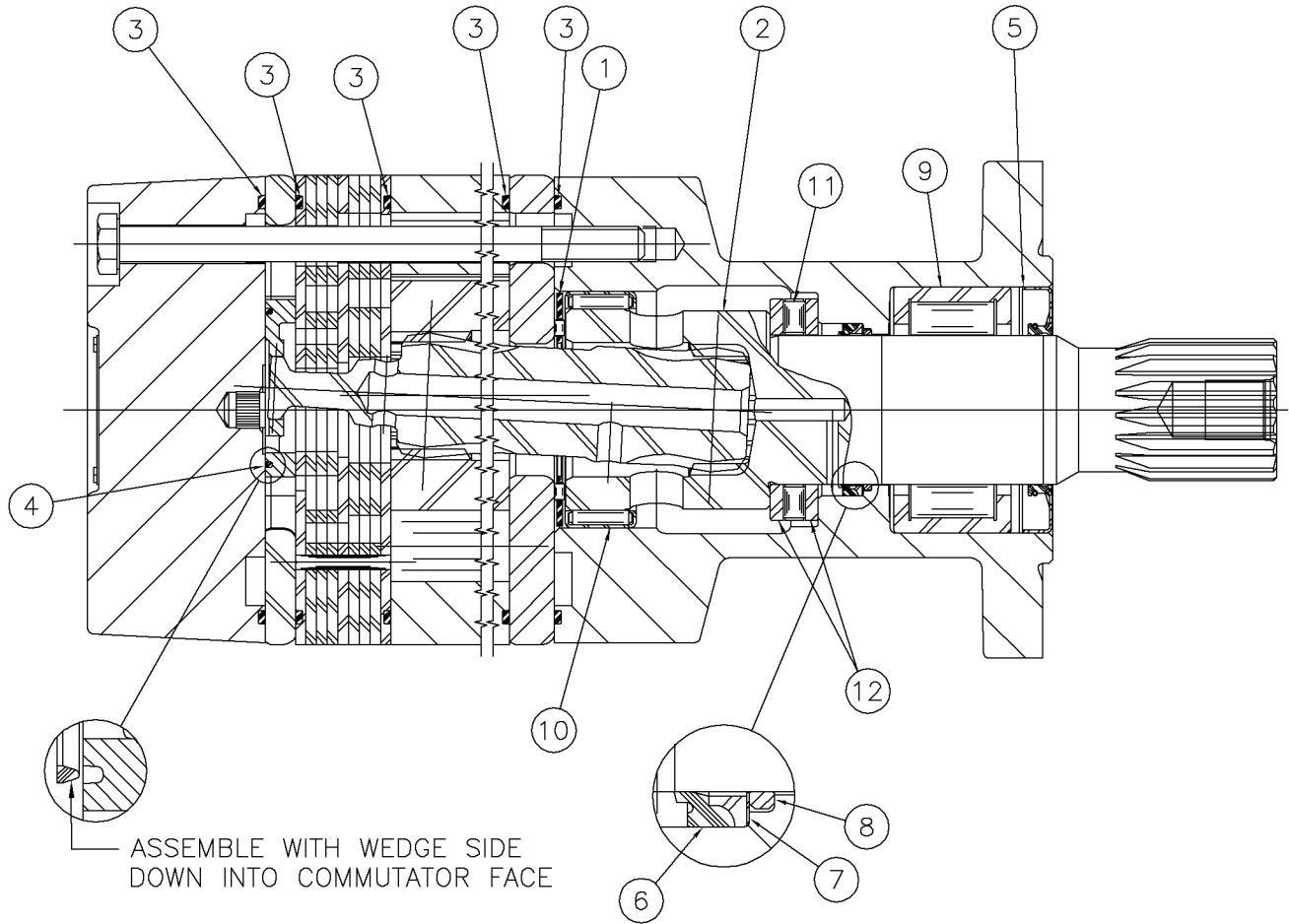




## Gearbox Motor Components Fig 11-15r02

REF. NO.	*	PART NO.	DESCRIPTION	QTY.	REMARKS
		Revision Date	May, 2005		Update In Parts List.
1		257547015	POPPET	1	
2		257547011	SPRING	1	
3		257547013	SHIM	A/R	
4		257547003	SLEEVE,DASH POT	2	
5		257547007	POPPET	2	
6		257547005	SPRING	2	
7		257547009	PISTON,SHUTTLE	1	
8		235642017	PLUG ASSEMBLY	1	
9		296265619	SPOOL-CONTROL	1	
10		296265622	SPRING-COMPRESSION	1	
11		296265624	SPRING-COMPRESSION	1	
12		296265625	PLUG	1	
13		257547027	RING,RETAINER	1	
14		257547019	SHAFT-SUB ASS'Y	1	Inc Bearings
15		209137007	SEAL-3 3/4"ID - (O-RING)	1	
16		NSS	SEAL	6	
17		NSS	O-RING	1	
18		NSS	RING-BACK-UP	1	
19		NSS	SEAL,SHAFT FACE	1	
20		NSS	O-RING	3	
21		NSS	O-RING	1	
22		NSS	SEAL,SHAFT	1	
23		NSS	O-RING	1	
		296265628	SEAL KIT		Inc Ref 16-23
		296272101	MOTOR - 30.7 CU. IN. 3SPD 17T SPL		Inc All Items In Figure
		NSS	NOT SOLD SEPARATELY		

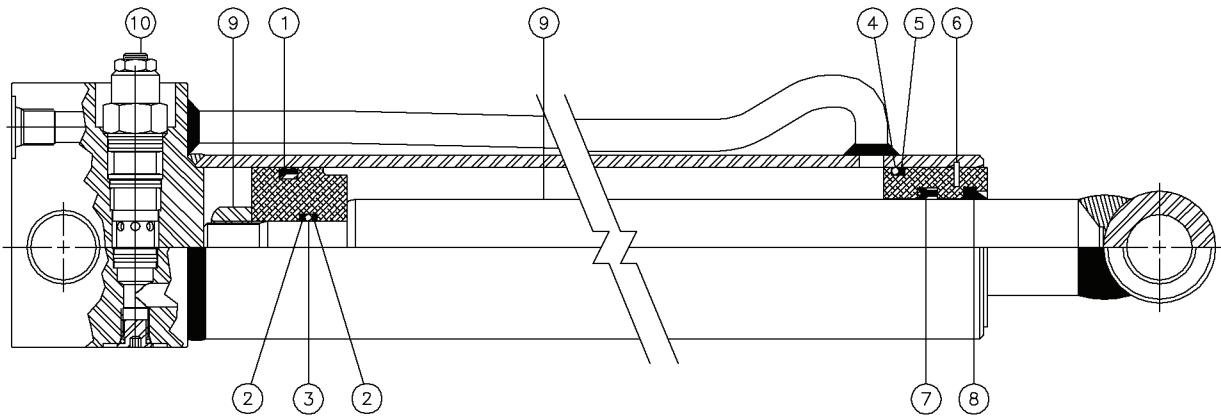
Carriage/Stakedown Motor Components Fig 11-16



Carriage/Stakedown Motor Components Fig 11-16

REF. NO.	*	PART NO.	DESCRIPTION	QTY.	REMARKS
1		88759021	BEARING-THRUST	1	
2		296265564	SHAFT-COUPLING	1	
3		NSS	SEAL RING	5	
4		NSS	SEAL-COMMUTATOR	1	
5		NSS	SEAL-D&W	1	
6		NSS	SEAL-SHAFT	1	
7		NSS	WASHER-BACKUP	1	
8		NSS	RING-BACKUP	1	
9		296265639	BEARING-FRONT RADIAL	1	
10		296265640	BEARING-REAR RADIAL	1	
11		296265641	BEARING-THRUST	1	
12		269265642	WASHER-THRUST	2	
		296265578	REPAIR KIT		Inc Ref 3-8
		296257255	MOTOR - 20.6 CU. IN. HYD.		Inc All Items In Illustration
		NSS	NOT SOLD SEPARATELY		

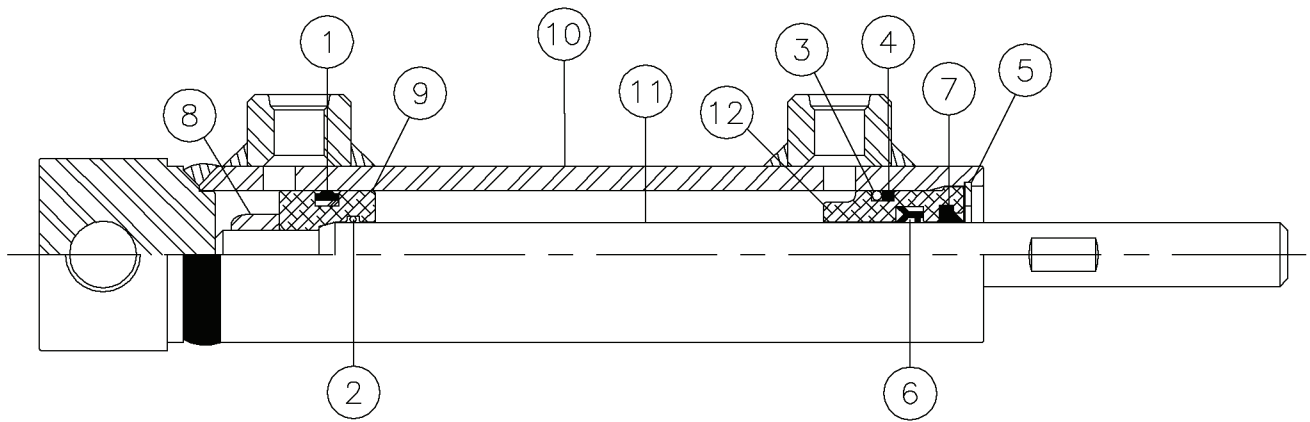
Outrigger Cylinder Components Fig 11-17



## Outrigger Cylinder Components Fig 11-17

REF. NO.	*	PART NO.	DESCRIPTION	QTY.	REMARKS
1		NSS	SEAL-PSP	1	
2		NSS	BACK-UP RING	2	
3		NSS	O-RING	1	
4		NSS	O-RING	1	
5		NSS	BACK-UP RING	1	
6		NSS	SNAP RING-INTERNAL	1	
7		NSS	U-CUP-LOADED	1	
8		NSS	WIPER-ROD	1	
9		296265545	ROD ASSEMBLY	1	
10		278769023	VALVE- CBCA-LHN	1	
		278769021	REPAIR KIT	1	For CBCA-LHN
		296265542	REPAIR KIT		Inc Ref 1-8
		296257190	CYLINDER - 2.5 X 32 HYD		Inc All Items In Illustration
		NSS	NOT SOLD SEPARATELY		

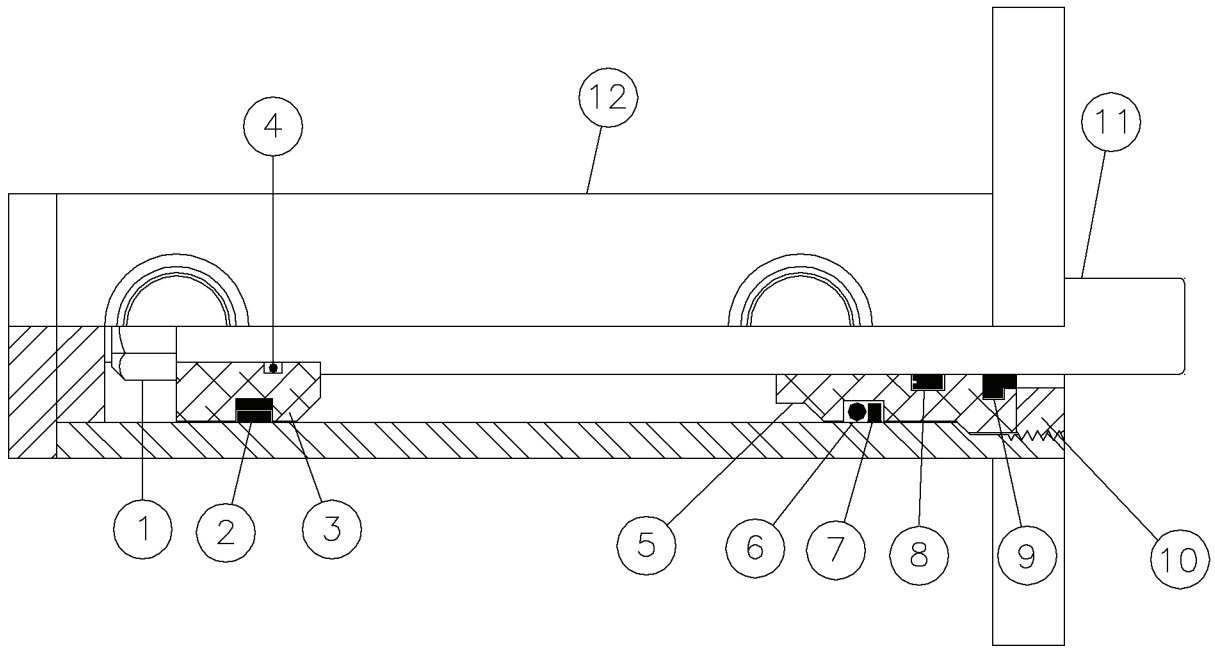
Water Shutoff Cylinder Components Fig 11-18r01



## Water Shutoff Cylinder Components Fig 11-18r01

REF. NO.	*	PART NO.	DESCRIPTION	QTY.	REMARKS
		Revision Date	October, 2004		Update In Parts List.
1		NSS	SEAL-PPS	1	
2		NSS	O-RING	1	
3		NSS	O-RING	1	
4		NSS	BACKUP RING	1	
5		NSS	SNAP RING-INTERNAL	1	
6		NSS	U-CLIP-DOUBLE LIP	1	
7		NSS	WIPER ROD	1	
8		296254582	LOCKNUT	1	
9		296254583	PISTON	1	
10		296254584	BARREL ASSEMBLY	1	
11		296254585	ROD ASSEMBLY	1	
12		296254586	SNAP RING HEAD	1	
				1	
		296254587	SEAL KIT		Inc Ref 1-7
		287591001	CYLINDER - 1 X 3-1/2		Inc Ref 1-12
		NSS	NOT SOLD SEPARATELY		

Auto Greaser Cylinder Components Fig 11-19

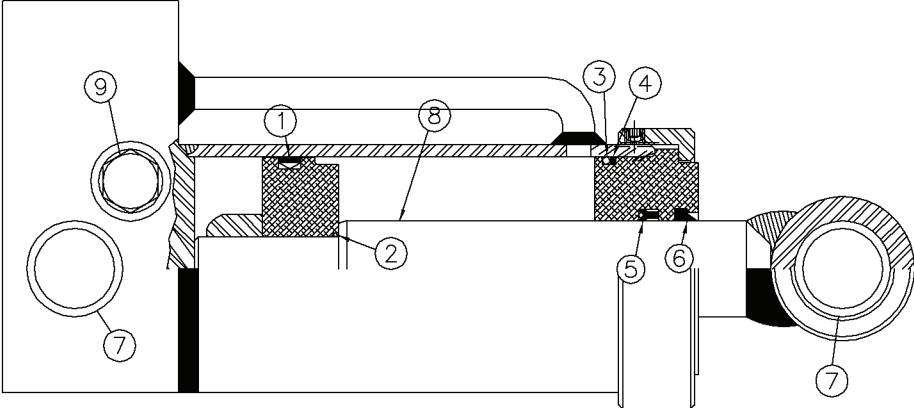




## Auto Greaser Cylinder Components Fig 11-19

REF. NO.	*	PART NO.	DESCRIPTION	QTY.	REMARKS
1		236113003	NUT	1	
2		NSS	PSP - SEAL	1	
3		296251772	PISTON	1	
4		NSS	O-RING	1	
5		234359007	HEAD	1	
6		NSS	O-RING	1	
7		NSS	BACKUP	1	
8		NSS	ROD SEAL	1	
9		NSS	DUST SEAL	1	
10		234359013	COLLAR	1	
11		296265525	ROD-CYLINDER	1	
12		296265524	BODY-CYLINDER	1	
		296251775	SEAL KIT	1	Inc. Ref 2,4,& 6-9
		294899001	CYLINDER - HYD 1 X 2-3/8	1	Inc. Ref 1-12
		NSS	NOT SOLD SEPARATELY		

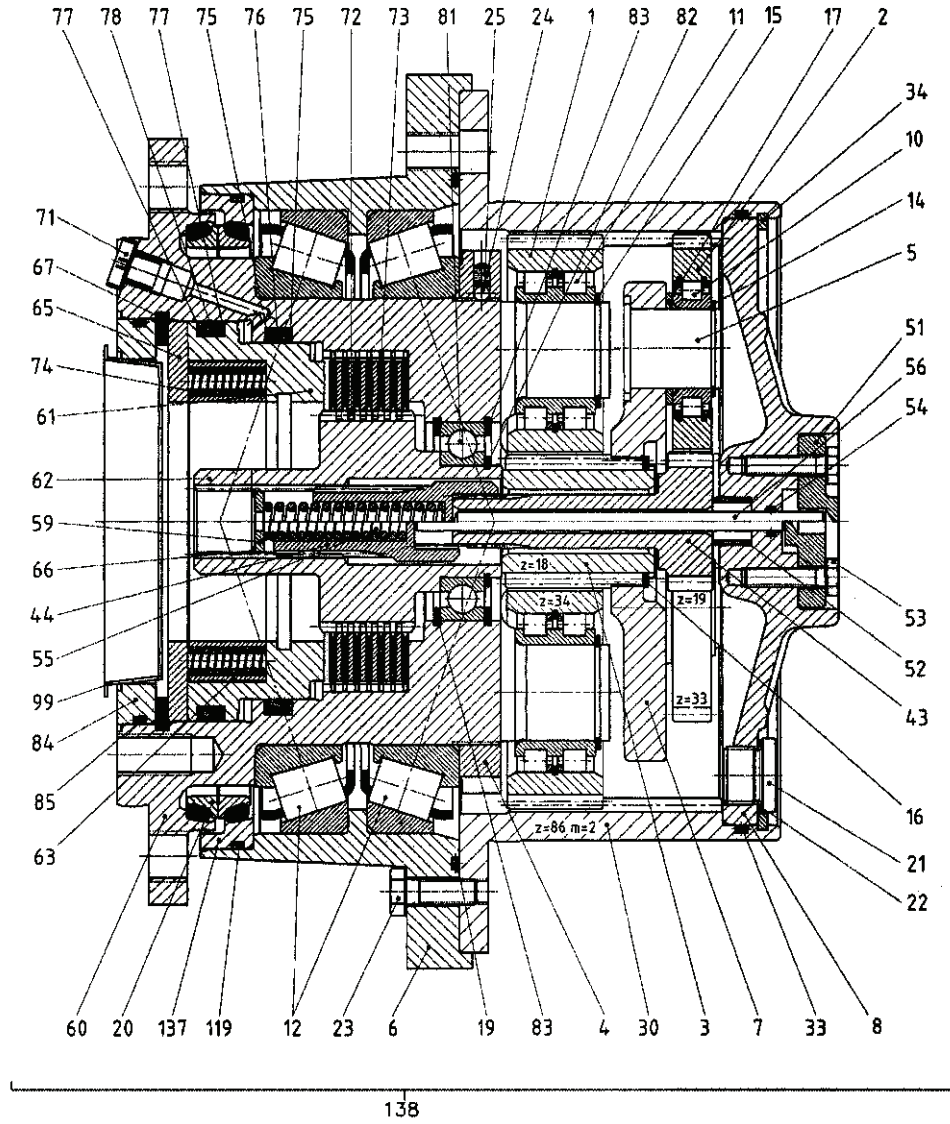
Rack Pivot Cylinder Components Fig 11-20



## Rack Pivot Cylinder Components Fig 11-20

REF. NO.	*	PART NO.	DESCRIPTION	QTY.	REMARKS
1		NSS	UNI-RING	1	
2		NSS	O-RING	1	
3		NSS	O-RING	1	
4		NSS	WASHER-BACKUP	1	
5		NSS	U-CUP	1	
6		NSS	ROD WIPER	1	
7		216772011	BUSHING-SELF LUBRICATING	4	
8		296271025	ROD ASSY	1	Inc Ref 7
9		278769019	VALVE	2	
		278769021	REPAIR KIT	2	
		94464003	REPAIR KIT-CYL.		Inc Ref 1-6
		296270800	CYLINDER-3 1/2 X 4		Inc All Items In Illustration
		NSS	NOT SOLD SEPARATELY		

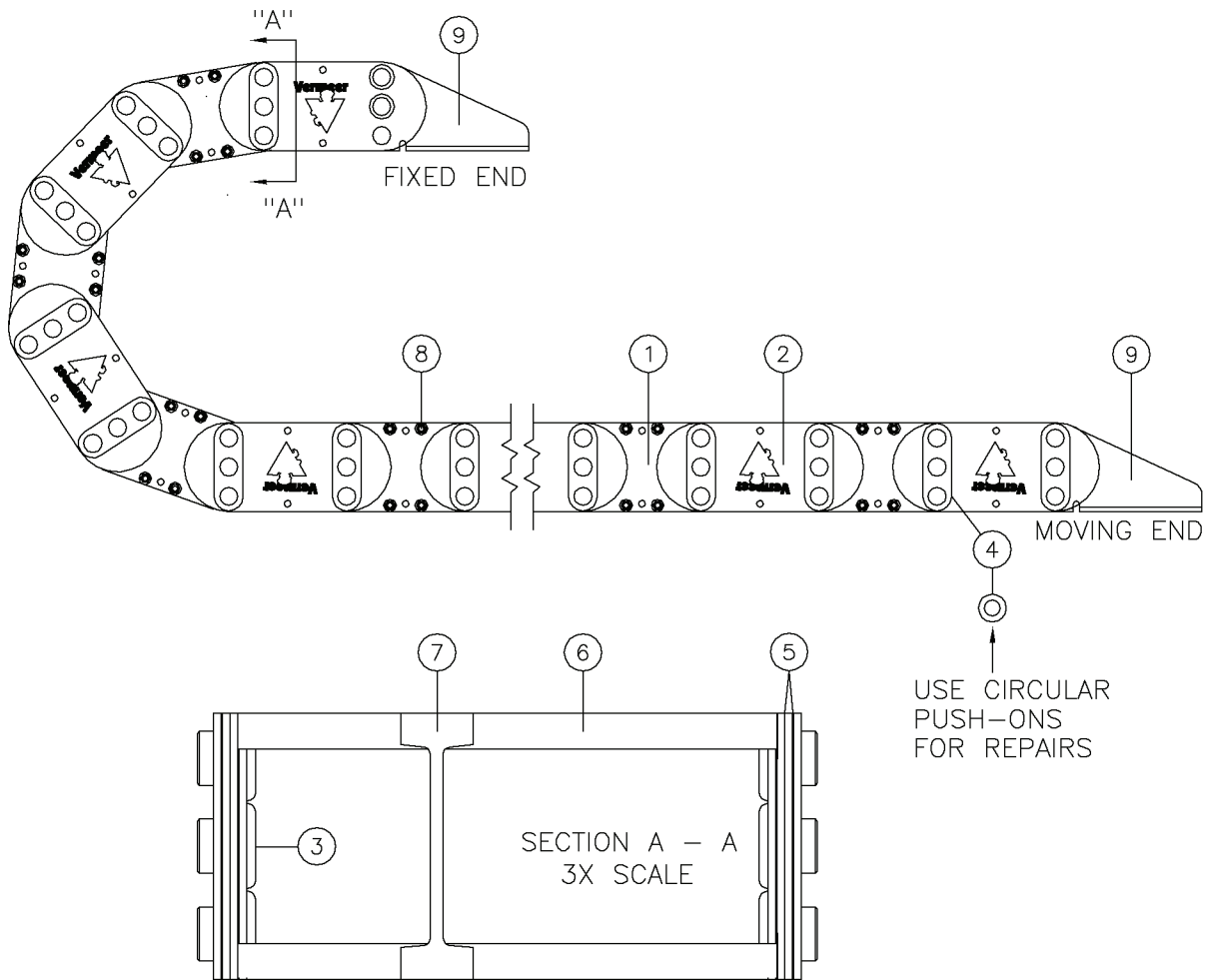
Drive Track Planetary Motor Components Fig 11-21



## Drive Track Planetary Motor Components Fig 11-21

REF. NO.	*	PART NO.	DESCRIPTION	QTY.	REMARKS
1		296251907	PLANET GEAR ASS'Y	1	Inc Ref 1,11,15
2		296251908	PLANET GEAR ASS'Y	1	Inc Ref 2,10,14,17
4		296251906	KIT-BEARING	1	Inc Ref 4,12,19,20,24,25,33,119
8		296251905	KIT - COVER	1	Inc Ref 8,21,22,33,34,51-53
19		296251902	KIT - SEAL	1	Inc Ref 19,75-78
54		296251904	KIT - DISCONNECT	1	Inc Ref 53-56,59,66
61		296251903	KIT - BRAKE	1	Inc Ref 61,72-74
138		278290001	PLANETARY - TRACK DRIVE		Inc All Items In Figure

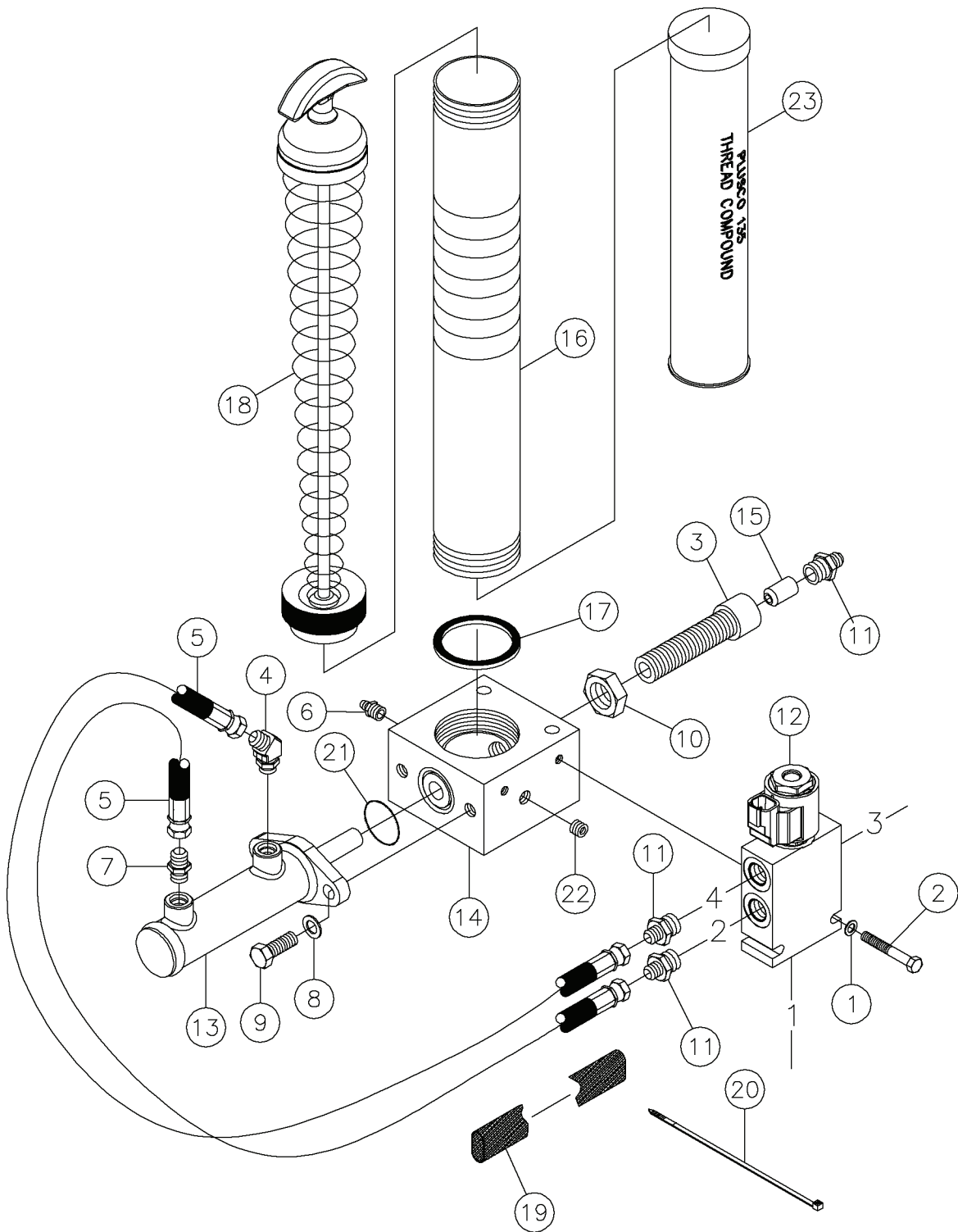
Hose Carrier Track Components Fig 11-22



Hose Carrier Track Components Fig 11-22

REF. NO.	*	PART NO.	DESCRIPTION	QTY.	REMARKS
1		296265591	PT45E INNER LINK 7.5" RADIUS	48	
2		234256007	PT45E OUTER LINK W/VERMEERLOGO	52	
3		234256017	PT45E HINGE PIN-PUSH ON FASTNR	144	
4		296251021	PT45E ONE-PIECE PUSH ON	144	
5		234256011	PT45E ANTI-FRICTION DISC	104	
6		296265592	PT45E ALUMINUM CHANNEL 7.5" LG	24	
7		296251020	PT45E AC SEPERATOR	12	
8		215252017	SCREW-WHIZ LOCK	96	
9		234256003	PT45E MOUNTING BRACKET ASSY (L)	2	Shown
		234256005	PT45E MOUNTING BRACKET ASSY(R)	2	
		296257193	TRACK - HOSE		Inc Ref 1-9

Auto Greaser Components Fig 11-23r01

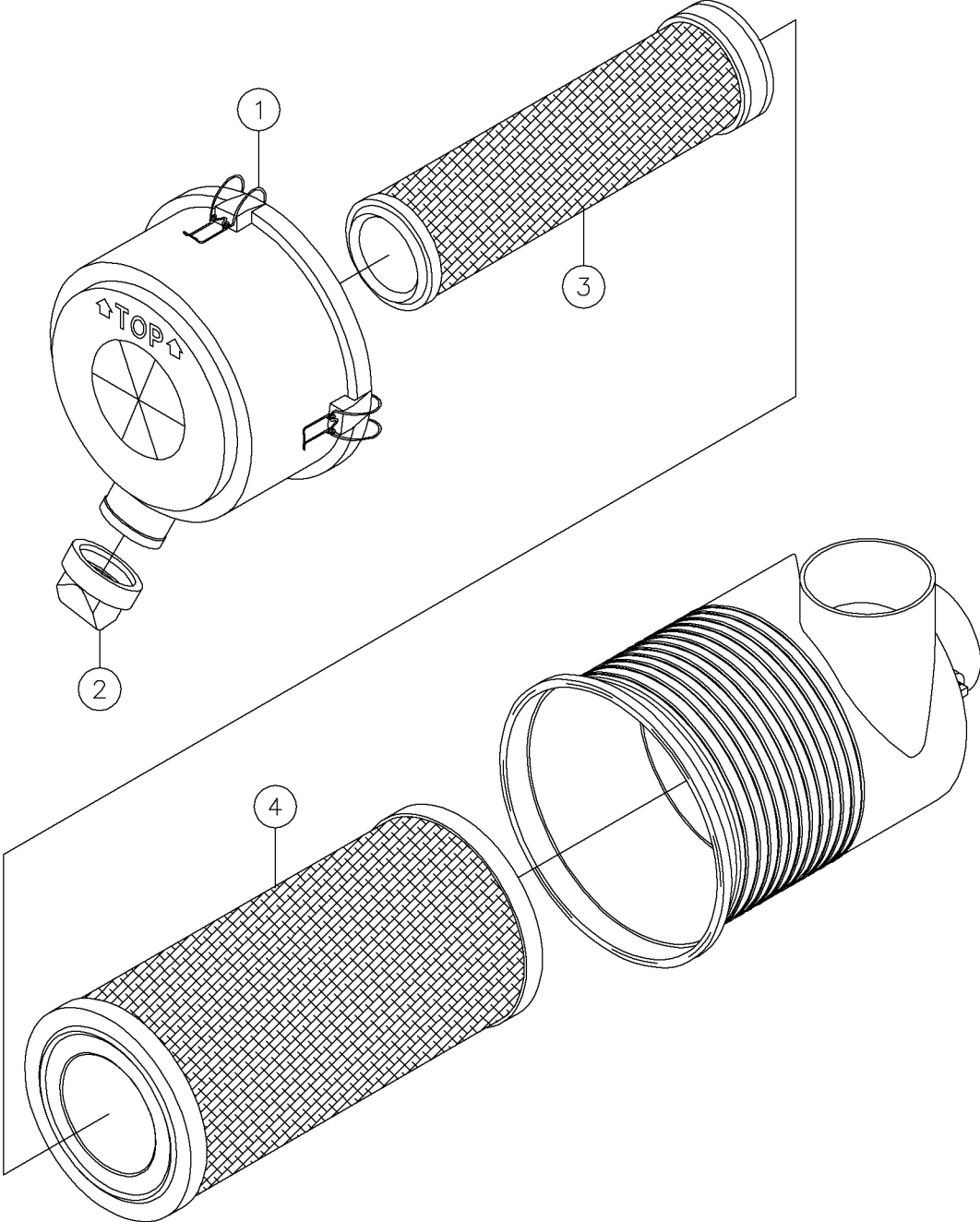




## Auto Greaser Components Fig 11-23r01

REF. NO.	*	PART NO.	DESCRIPTION	QTY.	REMARKS
		Revision Date	July, 2004		Update In Parts List.
1		510337603	WASHER-FLATSTD-.25-.31X.75-.07-YZ	2	
2		248107001	BOLT-1/4-20X1 3/4 GR 8 ZINC PL	2	
3		294896001	SLEEVE - GREASE PUMP	1	
4		58295001	FITTING-4M OR X 4M JIC 45 DEG.	1	
5		53843195	HOSE-1/4X16 4FS JIC 3000 PSI	2	
6		586001	ZERK-1/8" ST NPT GREASE	1	
7		60908001	FITTING-4MX4M JIC STR ADAPTER	1	
8		235713001	WASHER - FLATSTRL - .38 - .41 X .81 - .06-YA-A325	2	
9		235727001	BOLT-3/8-16X1 GR8 HEX ZINC PLT	2	
10		456001	NUT-3/4 N.F. HEX JAM	1	
11		57968001	FITTING-STR-4MJ-6MORB	3	
12		294901001	VALVE - GREASER	1	(BREAKDOWN FIG.11-9)
13		294899001	CYLINDER - HYD 1 X 2-3/8	1	(BREAKDOWN FIG.11-19)
14		294895001	HOUSING - GREASE PUMP	1	
15		294905001	VALVE - INSERT CHECK, 1/2"	1	
16		294910001	TUBE - GREASE	1	
17		294902001	GASKET - GREASE TUBE	1	
18		294903001	FOLLOWER - GREASE TUBE AY	1	
19		235824001	CORDURA SLEEVE-NHS-090	A/R	
20		59634001	SINGLE NYTIE - 8"	4	
21		296262010	O-RING - 213 .139 X .921 ID	1	
22		296258613	FITTING -1/8 NPT HEX SOCKET - .25L	1	
23		296274014	THRD CMPND-PLUSCO 135-SINGLE CARTRIDGE	1	
		296274030	THREAD - COMPOUND 3/10PACKS - CARTRIDGES	A/R	
		296274031	THREAD - COMPOUND CARTRIDGE 30 PACK	A/R	
		294900001	GREASE PUMP AY - VAR DISP		(INC ALL ITEMS IN THIS FIG)

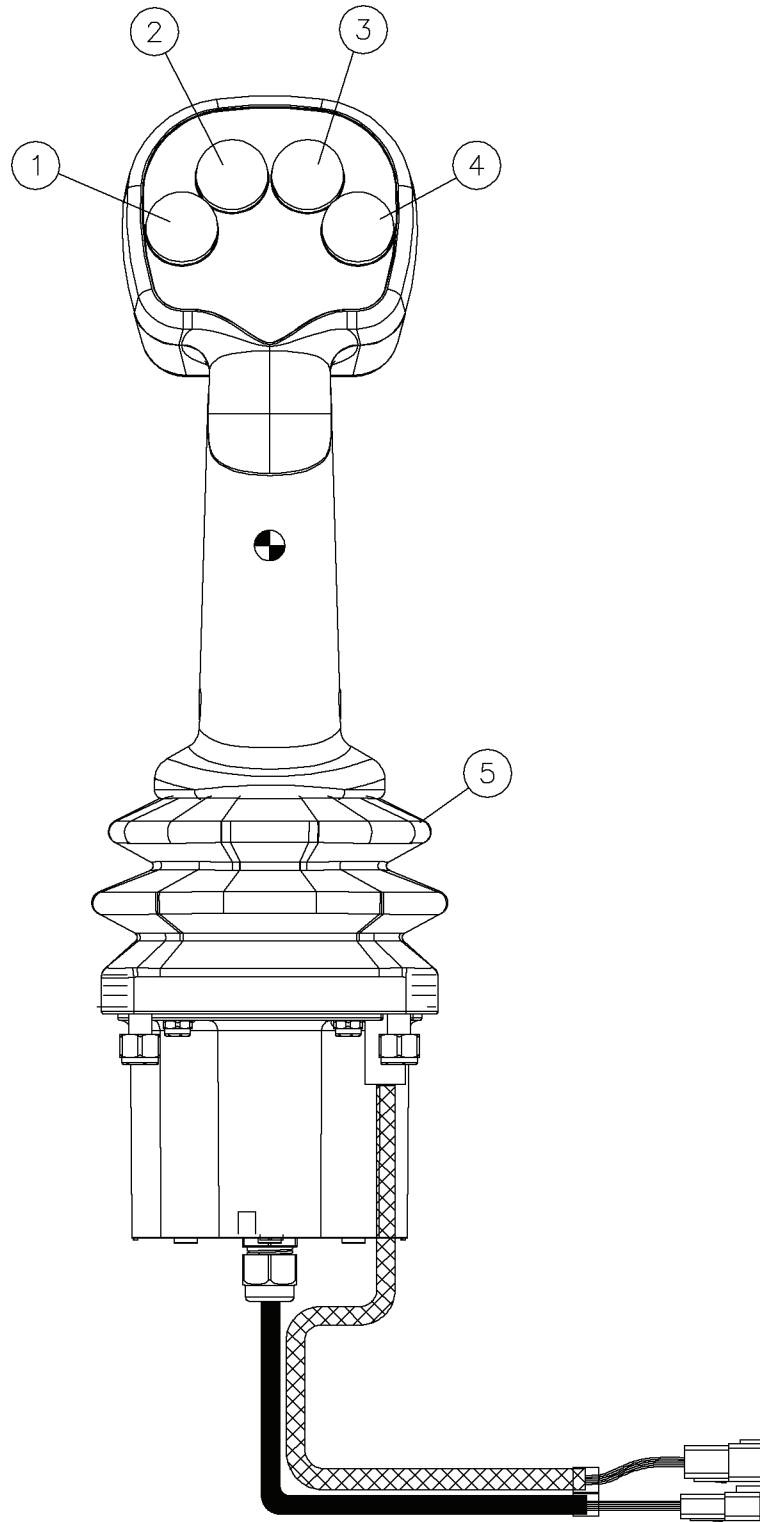
Air Cleaner Components Fig 11-24



## Air Cleaner Components Fig 11-24

REF. NO.	*	PART NO.	DESCRIPTION	QTY.	REMARKS
1		224285013	LATCH ASSEMBLY	3	
2		220166009	VALVE	2	
3		118496003	ELEMENT-SECONDARY	1	
4		220166005	ELEMENT ASSEMBLY	1	
		118496001	AIR CLEANER-FPG082525	1	Inc All Items In Fig

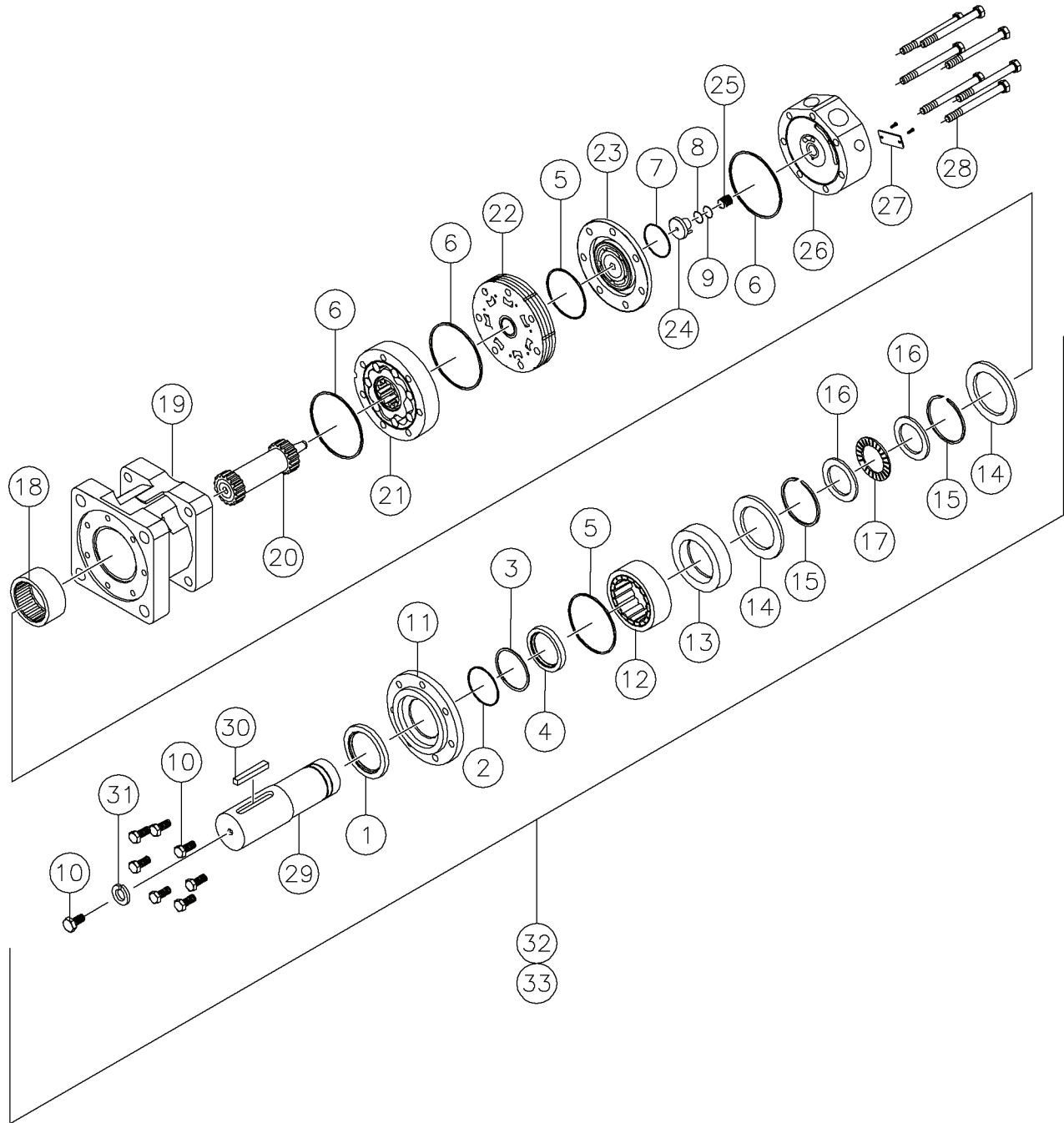
Joystick Components Fig 11-25



## Joystick Components Fig 11-25

REF. NO.	*	PART NO.	DESCRIPTION	QTY.	REMARKS
		Revision Date	May, 2005		Addition To Manual
1		296271131	SWITCH	1	
2		296271132	SWITCH	1	
3		296271133	SWITCH	1	
4		296271134	SWITCH	1	
5		296271135	BOOT -RUBBER	1	
		296273300	JOYSTICK - 1 AXIS, 4 SWITCH		Inc All Items In Figure

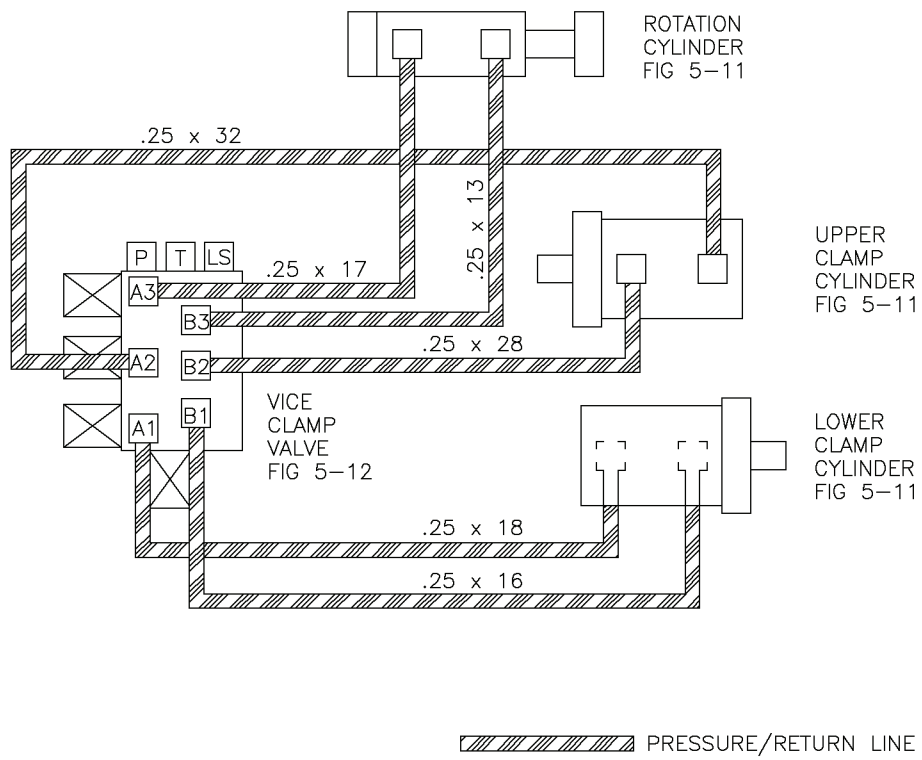
Carriage/Stakedown Motor Components Fig 11-26



## Carriage/Stakedown Motor Components Fig 11-26

REF. NO.	*	PART NO.	DESCRIPTION	QTY.	REMARKS
		Revision Date	May, 2005		Addition To Manual
1			SEAL-DUST	1	NSS
2			SHIM-METAL BACKUP	1	NSS
3			SEAL-TEFLON BACKUP	1	NSS
4			SEAL-SHAFT	1	NSS
5			SEAL-LATHE CUT	2	NSS
6			SEAL-BODY	3	NSS
7			SEAL-COMMUTATOR	1	NSS
8			SEAL O-RING	1	NSS
9			SEAL-TEFLON BACKUP	1	NSS
10		383010	BOLT-1/2-20X1 GR.8 HEX HEAD	8	
11		236219007	RING-PILOT	1	
12		236219009	BEARING-2 1/2" ROLLER	1	
13		236219011	SPACER-BEARING	1	
14		236219013	WASHER-RETAINING	2	
15		236219015	SNAP RING	2	
16		236219017	WASHER-THRUST	2	
17		236219019	BEARING-THRUST	1	
18		236219021	BEARING-REAR HOUSING	1	
19		236219023	HOUSING	1	
20		236219025	DRIVE LINK	1	
21		236219027	ROTOR ASSEMBLY	1	
22		236219029	MANIFOLD	1	
23		236219031	COMMUTATOR ASSEMBLY	1	
24		236219033	PISTON-ENDCOVER	1	
25		236219035	SPRING-PISTON	1	
26		236219037	ENDCOVER	1	(INC REF 8, 9, 24, 25)
27			I.D. TAG ASSEMBLY	1	NSS
28		236219039	BOLT	7	
29		236219041	SHAFT-ASSEMBLY	1	(INC REF 1-5, 10-17, 29-31)
30		236219005	KEY-SHAFT	1	
31		480011	WASHER-1/2 S/T LOCK	1	
32		236219003	SEAL KIT-HYD. MOTOR	1	(INC REF 1-9)
33		236219001	HYD MOTOR-66CI	1	(INC ALL ITEMS IN THIS FIGURE)
			NSS-NOT SOLD SEPARATELY		

Vise Clamp Hyd Location Diagram Fig 12-1

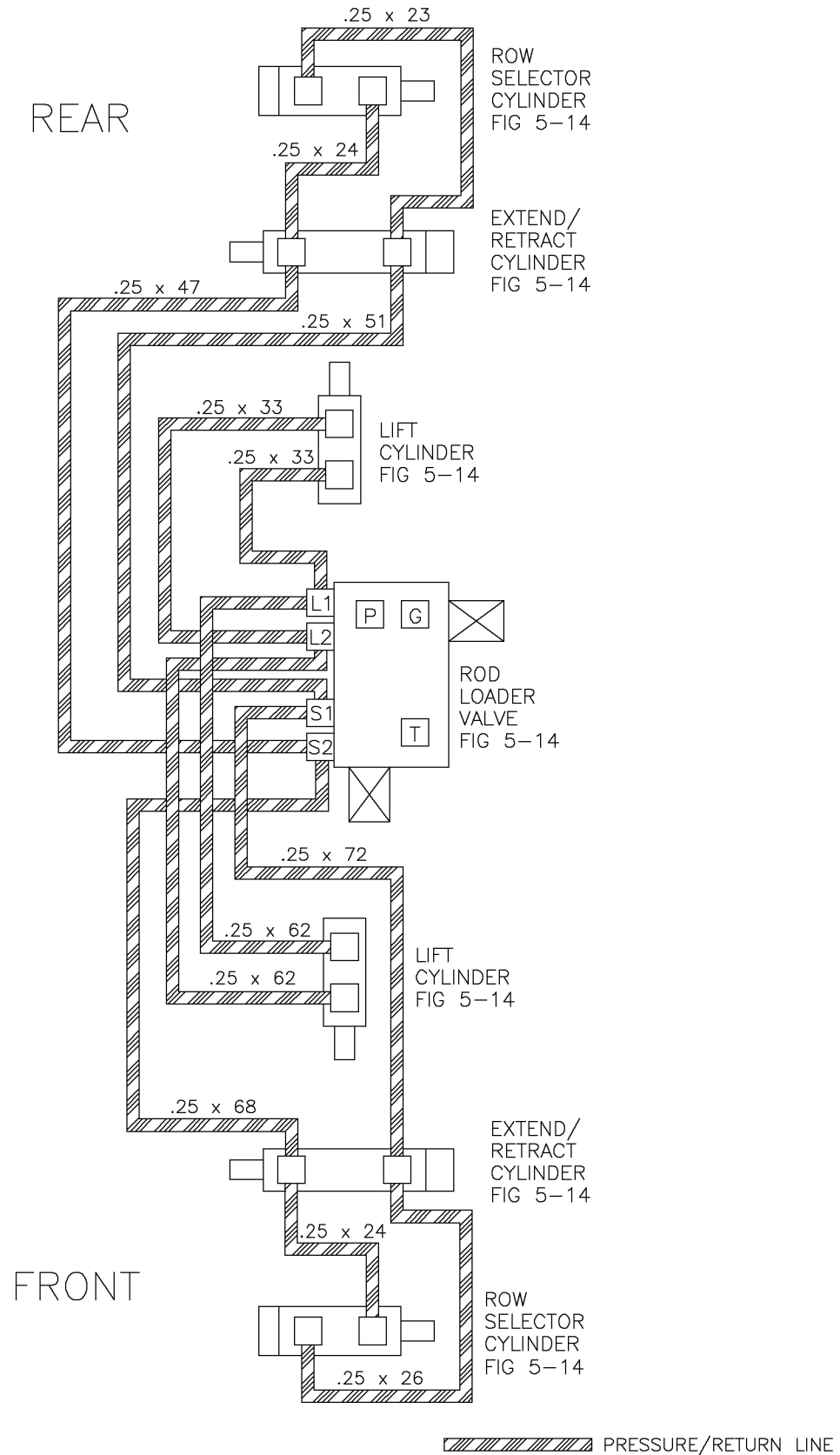




Vise Clamp Hyd Location Diagram Fig 12-1

REF. NO.	*	PART NO.	DESCRIPTION	QTY.	REMARKS
			VISE CLAMP HYD COMPONENTS LOCATION DIAGRAM		

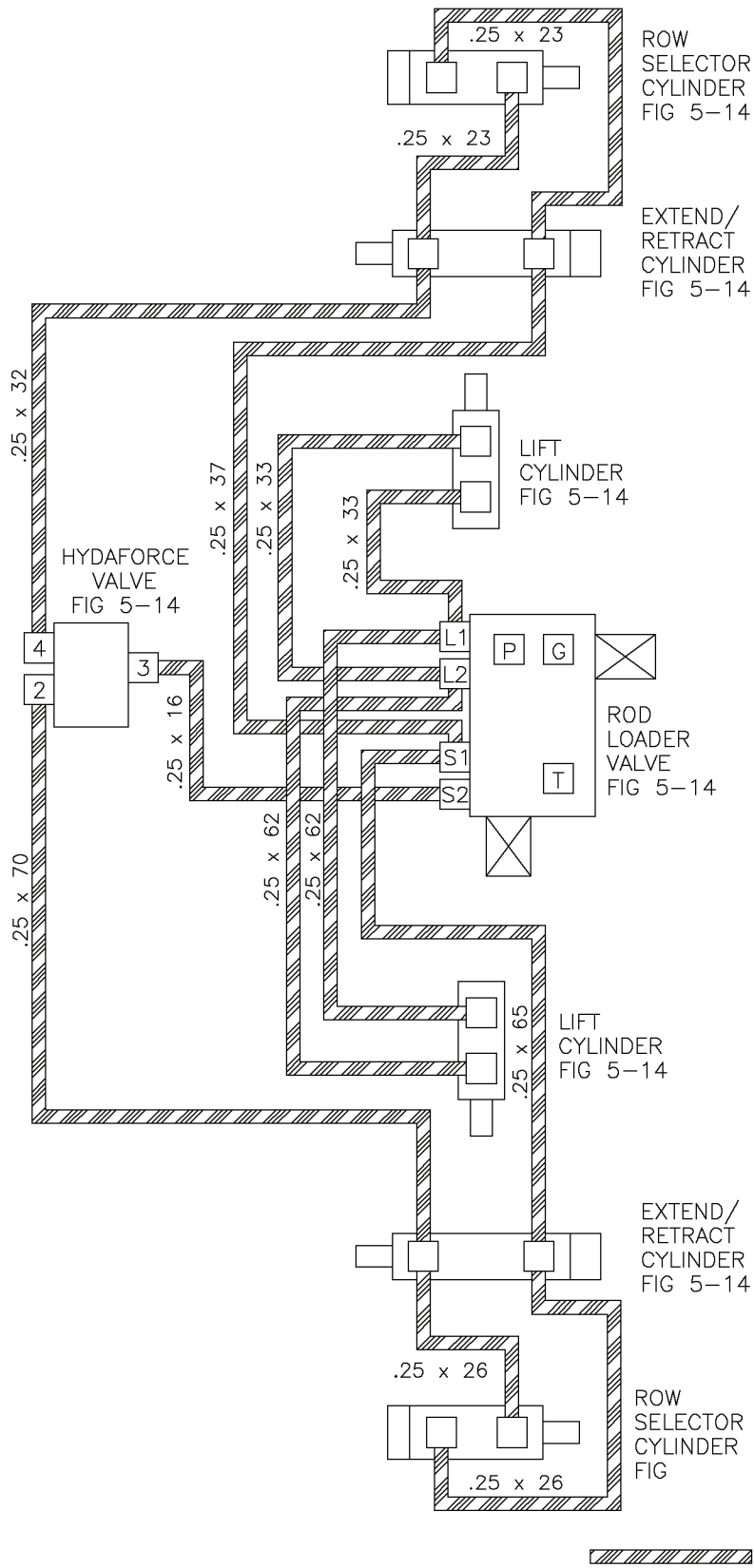
Rod Loader Hyd Location Diagram Fig 12-2r02



Rod Loader Hyd Location Diagram Fig 12-2r02

REF. NO.	*	PART NO.	DESCRIPTION	QTY.	REMARKS
		Revision Date	May, 2005		Update In Illustration.

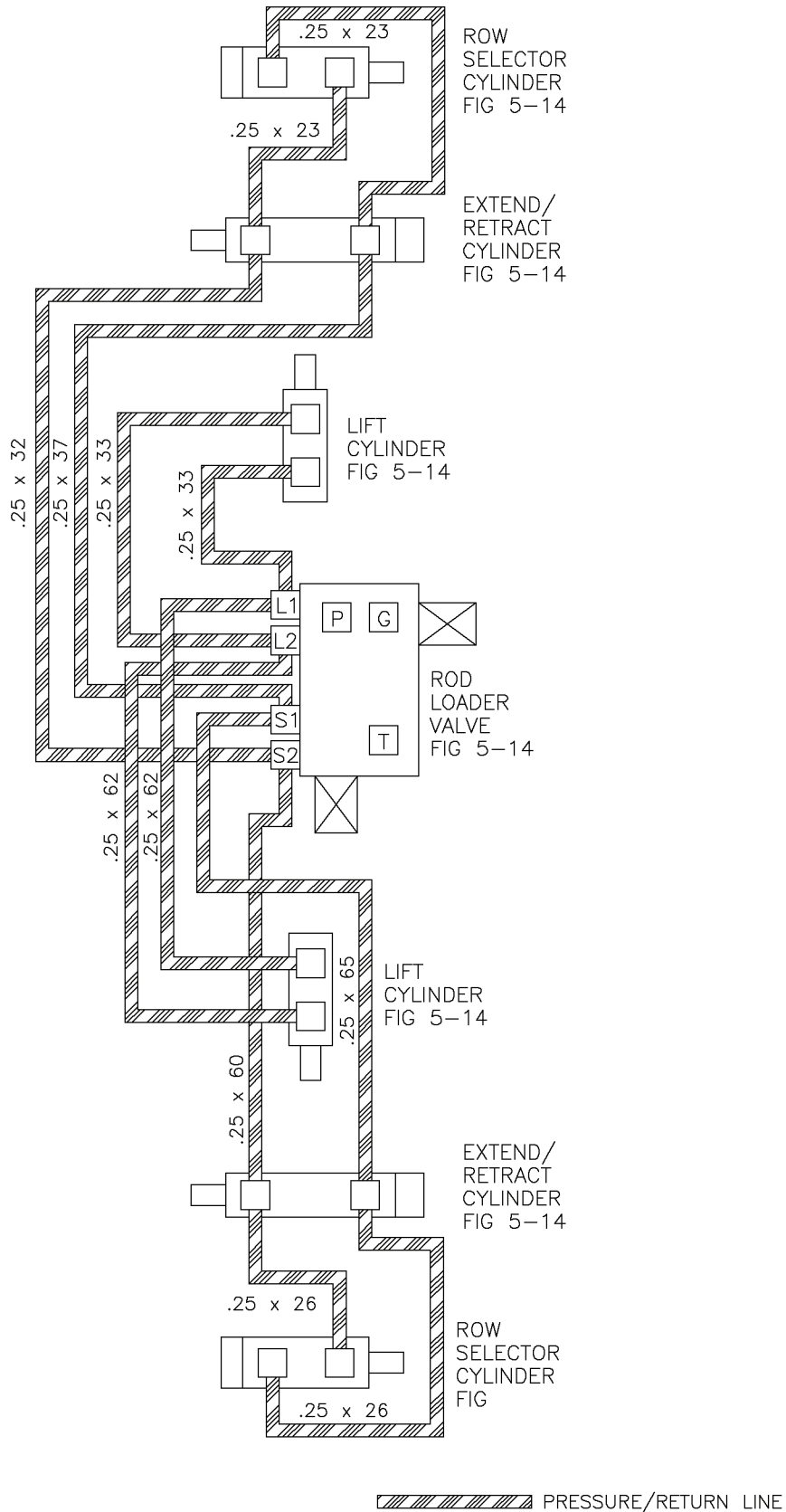
Rod Loader Hyd Location Diagram Fig 12-2r01



Rod Loader Hyd Location Diagram Fig 12-2r01

REF. NO.	*	PART NO.	DESCRIPTION	QTY.	REMARKS
		Revision Date	October, 2004		Update In Illustration.

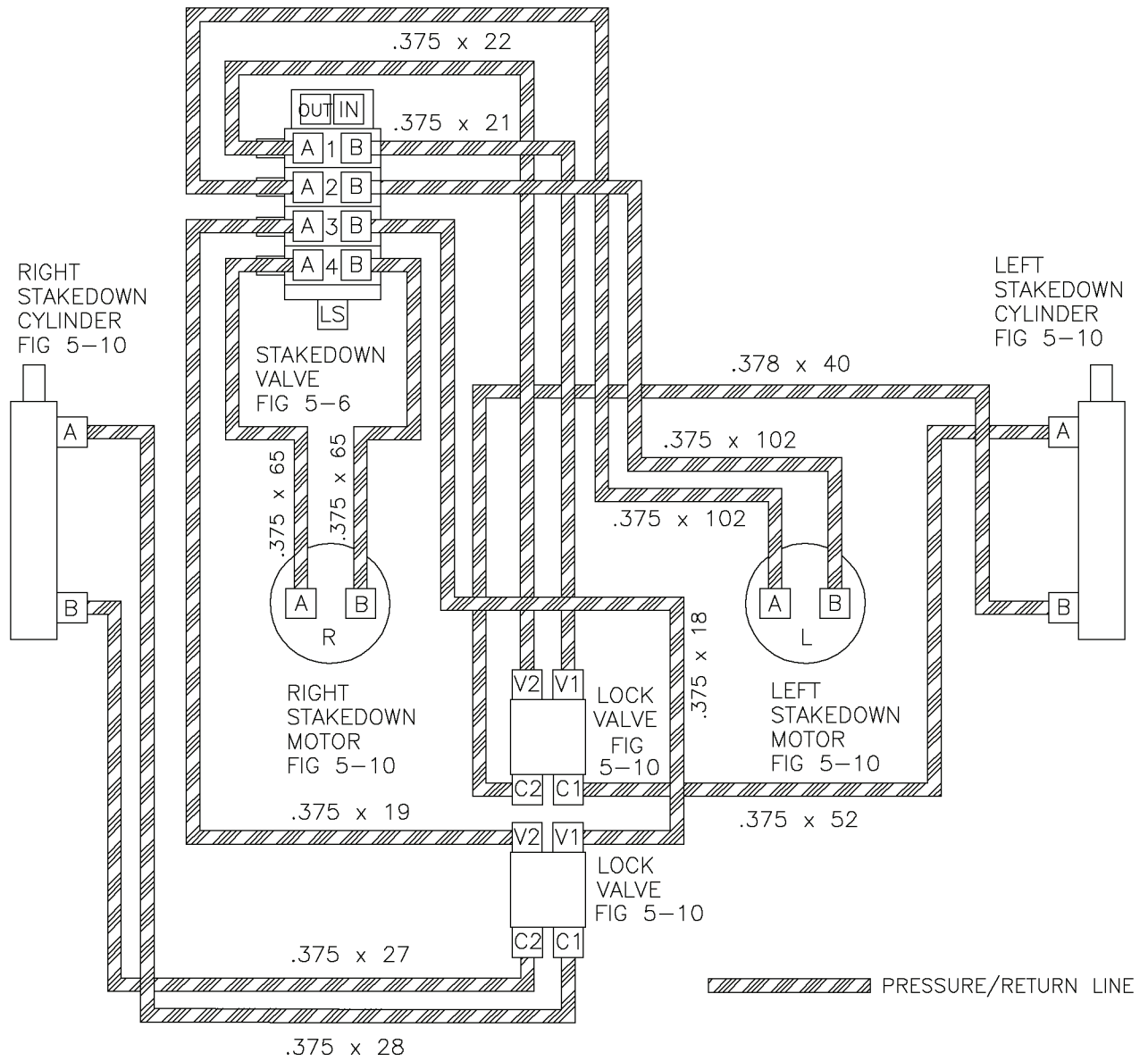
Rod Loader Hyd Location Diagram Fig 12-2



## Rod Loader Hyd Location Diagram Fig 12-2

REF. NO.	*	PART NO.	DESCRIPTION	QTY.	REMARKS
		Revision Date	October, 2004		Update In Illustration.

Stakedown Hyd Location Diagram Fig 12-3r01

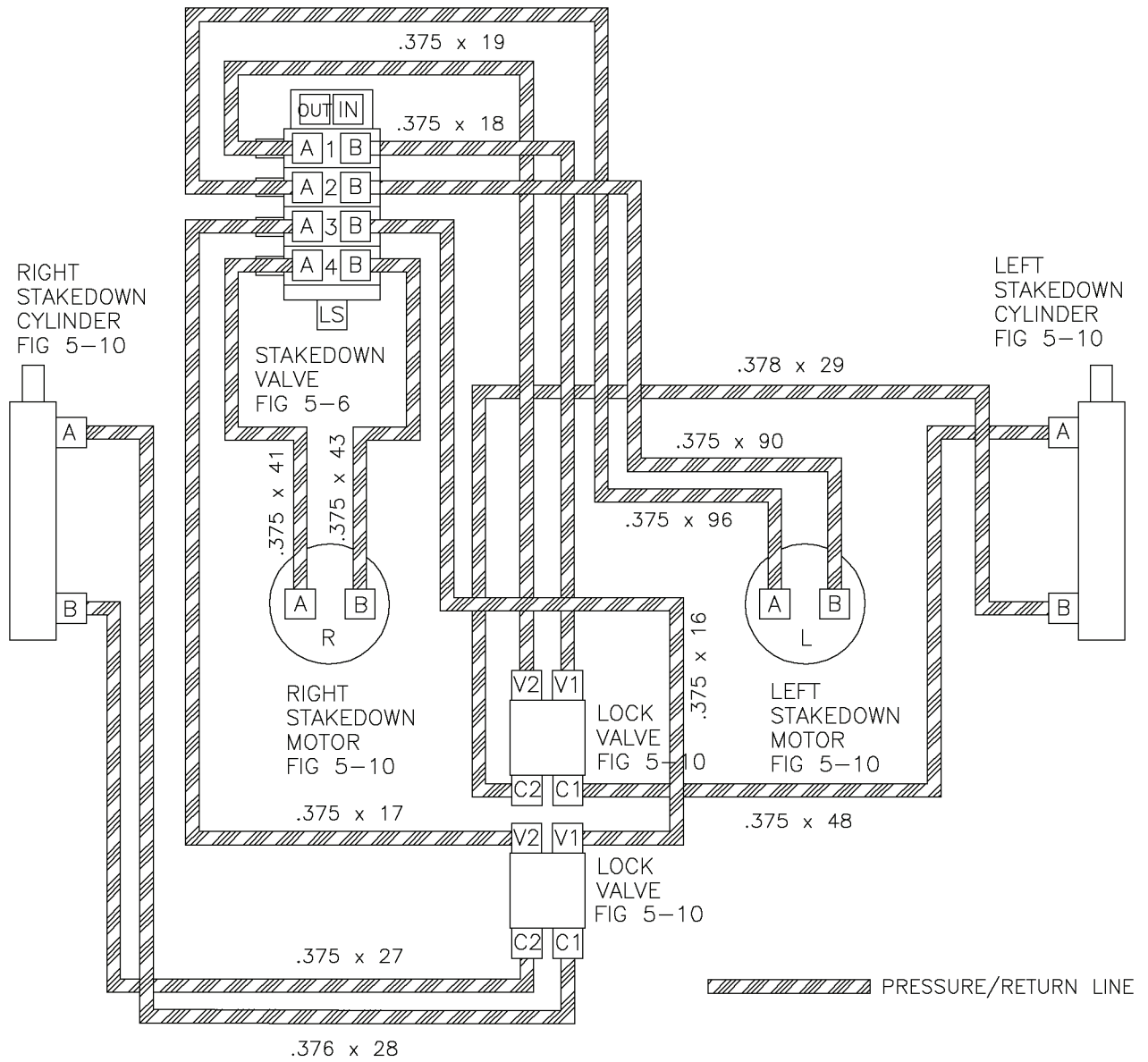




Stakedown Hyd Location Diagram Fig 12-3r01

REF. NO.	*	PART NO.	DESCRIPTION	QTY.	REMARKS

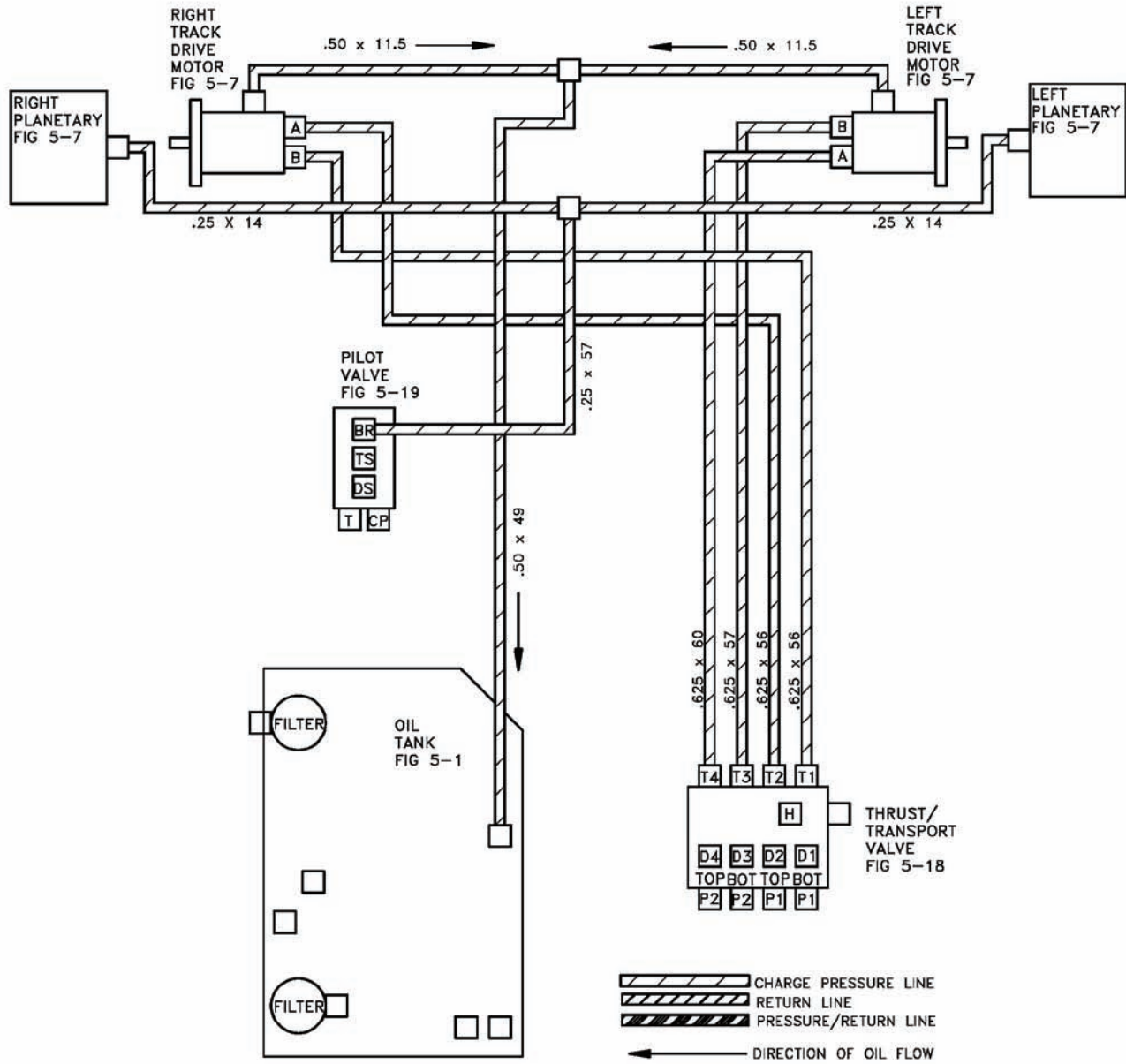
Stakedown Hyd Location Diagram Fig 12-3



**Stakedown Hyd Location Diagram Fig 12-3**

<b>REF. NO.</b>	<b>*</b>	<b>PART NO.</b>	<b>DESCRIPTION</b>	<b>QTY.</b>	<b>REMARKS</b>
			STAKEDOWN HYD COMPONENTS LOCATION DIAGRAM		

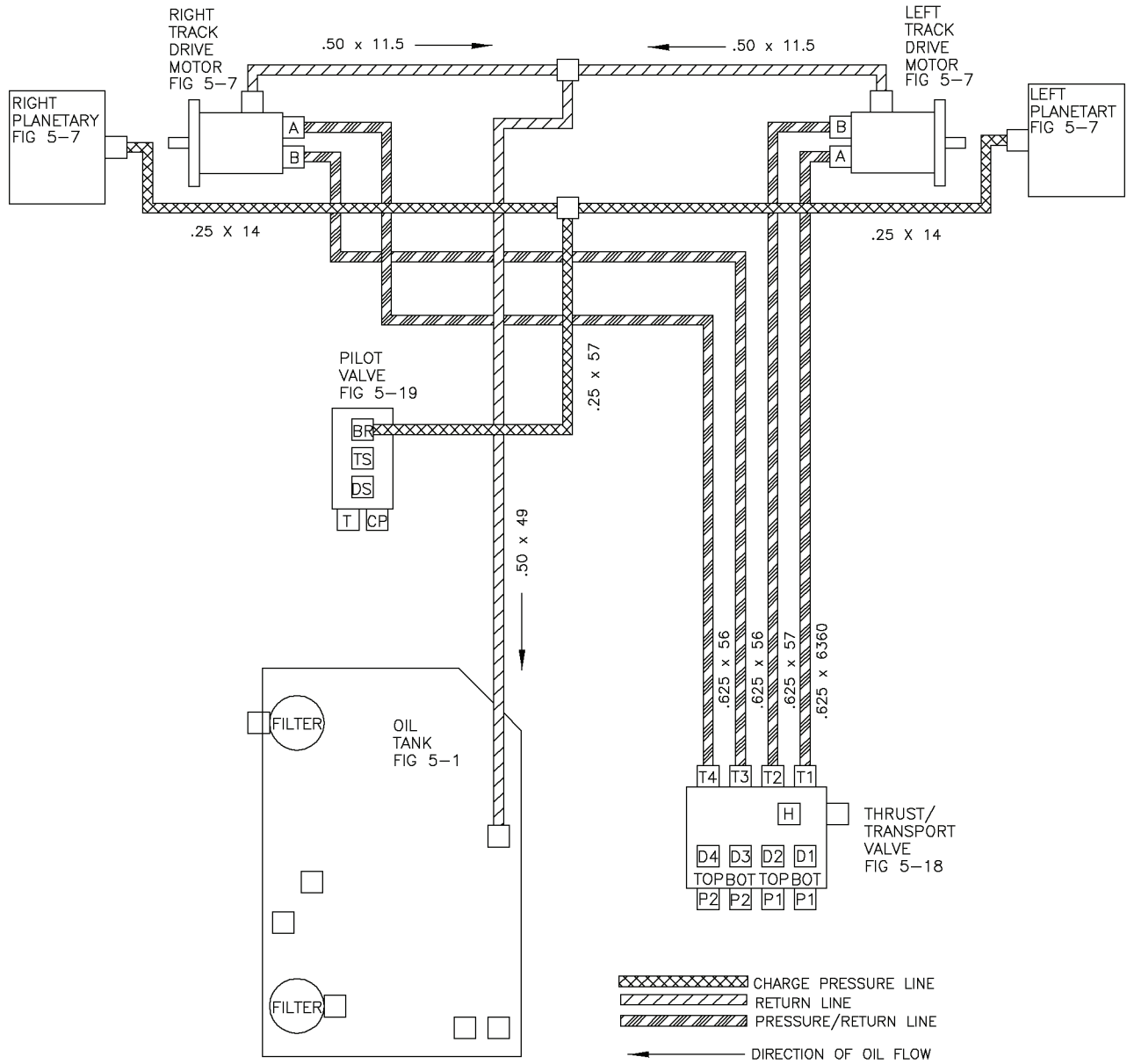
Track Drive Hyd Location Diagram Fig 12-4r01



## Track Drive Hyd Location Diagram Fig 12-4r01

REF. NO.	*	PART NO.	DESCRIPTION	QTY.	REMARKS
		Revision Date	February, 2004		Update In Illustration.
			TRACK DRIVE HYD COMPONENTS LOCATION DIAGRAM		

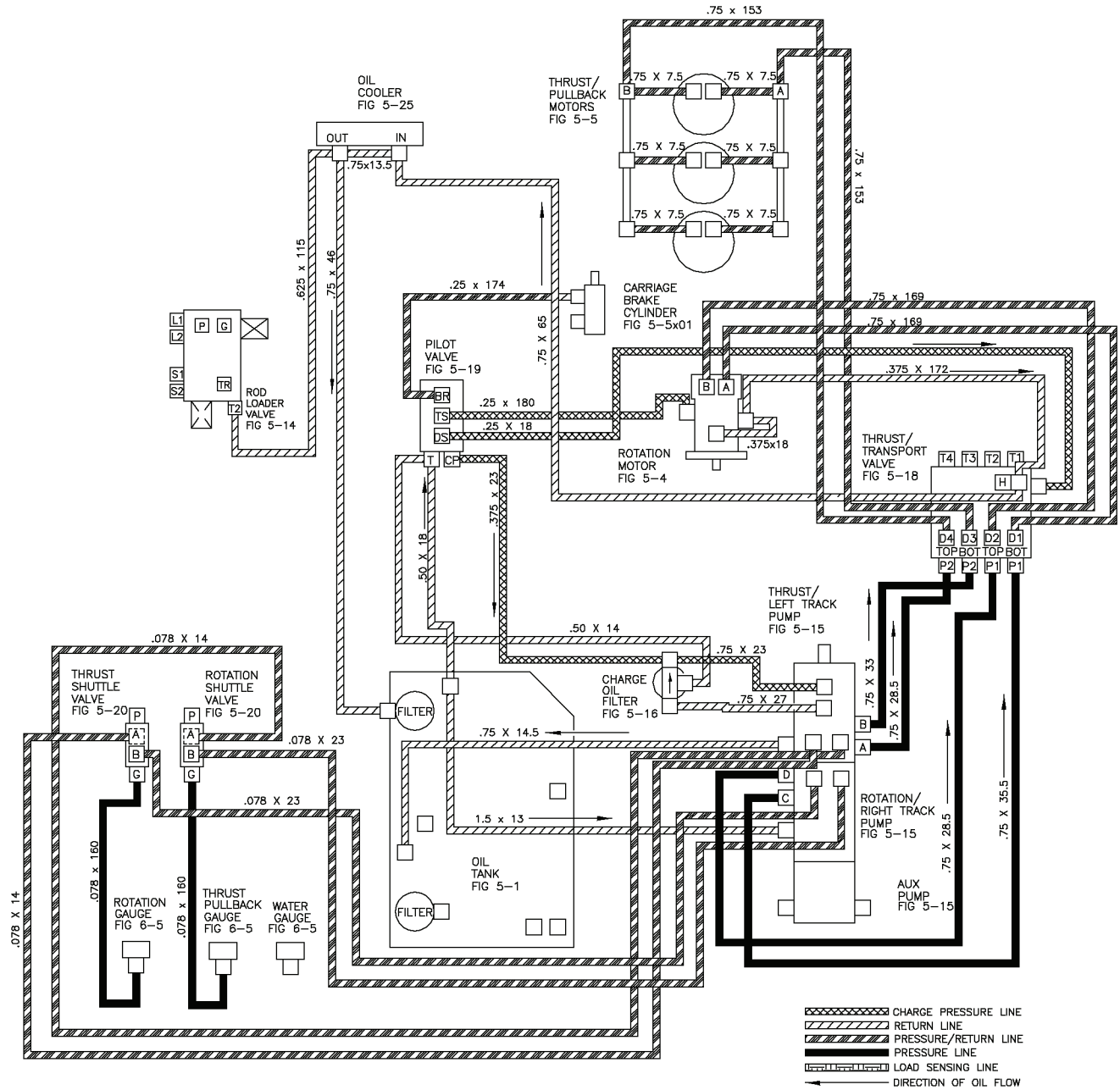
Track Drive Hyd Location Diagram Fig 12-4



Track Drive Hyd Location Diagram Fig 12-4

REF. NO.	*	PART NO.	DESCRIPTION	QTY.	REMARKS
			TRACK DRIVE HYD COMPONENTS LOCATION DIAGRAM		

Trust/Pullback Rotation Location Diagram Fig 12-5r03

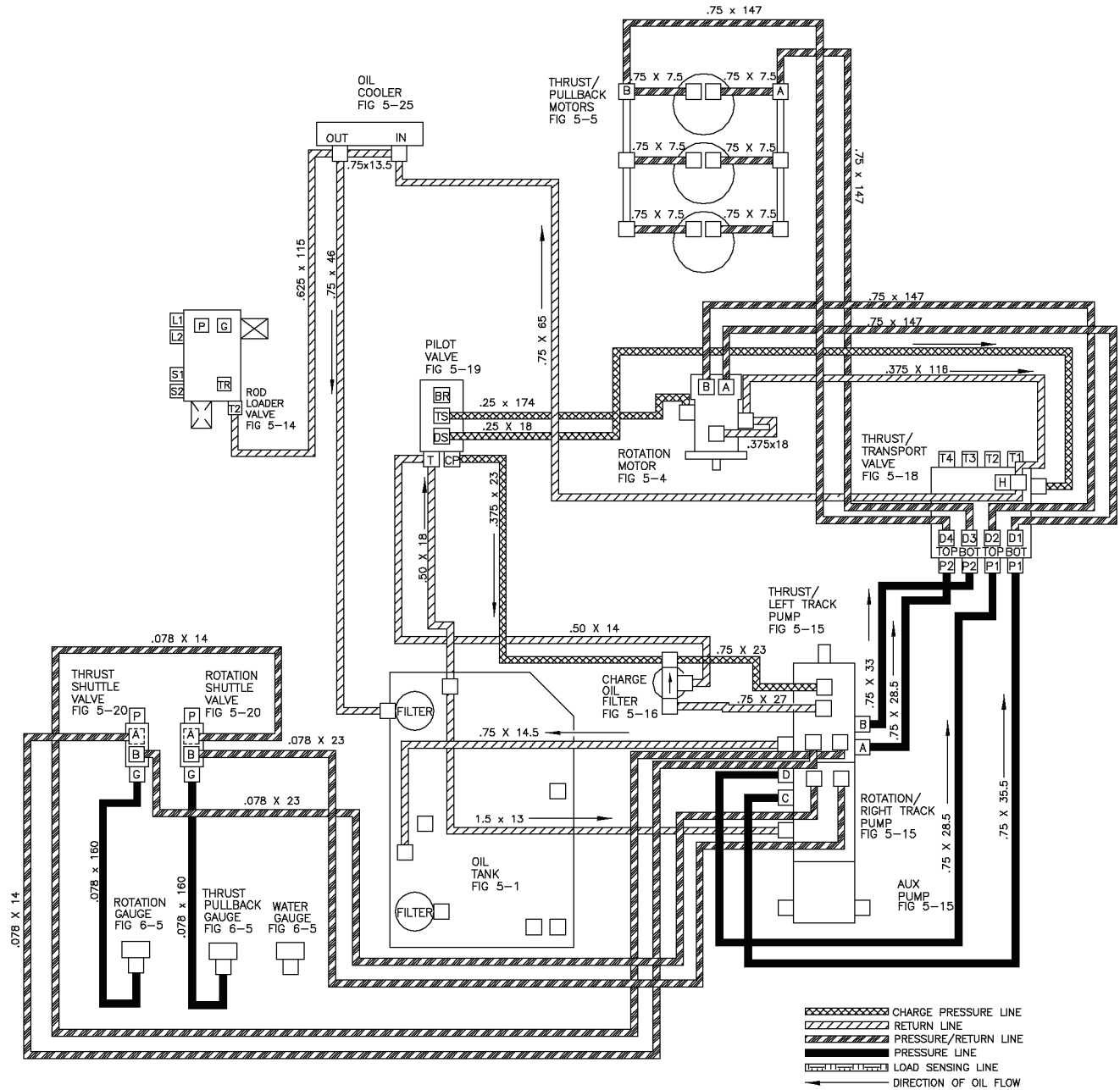




Trust/Pullback Rotation Location Diagram Fig 12-5r03

REF. NO.	*	PART NO.	DESCRIPTION	QTY.	REMARKS
		Revision Date	May, 2005		Update In Illustration.

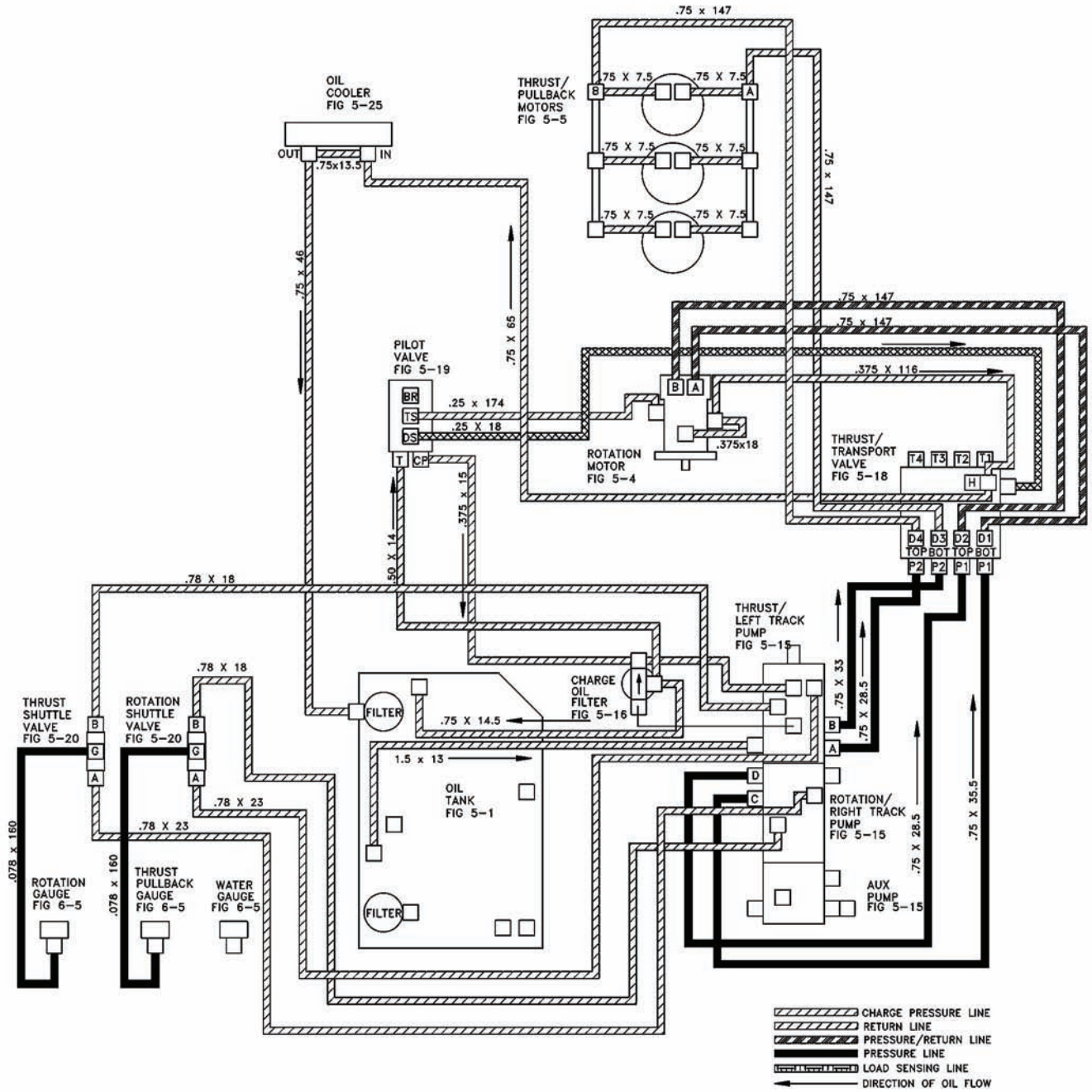
Trust/Pullback Rotation Location Diagram Fig 12-5r02



## Thrust/Pullback Rotation Location Diagram Fig 12-5r02

REF. NO.	*	PART NO.	DESCRIPTION	QTY.	REMARKS
		Revision Date	June, 2004		Update In Illustration & Parts List.
			THRUST PULLBACK ROTATION HYD COMPONENTS DIAGRAM		

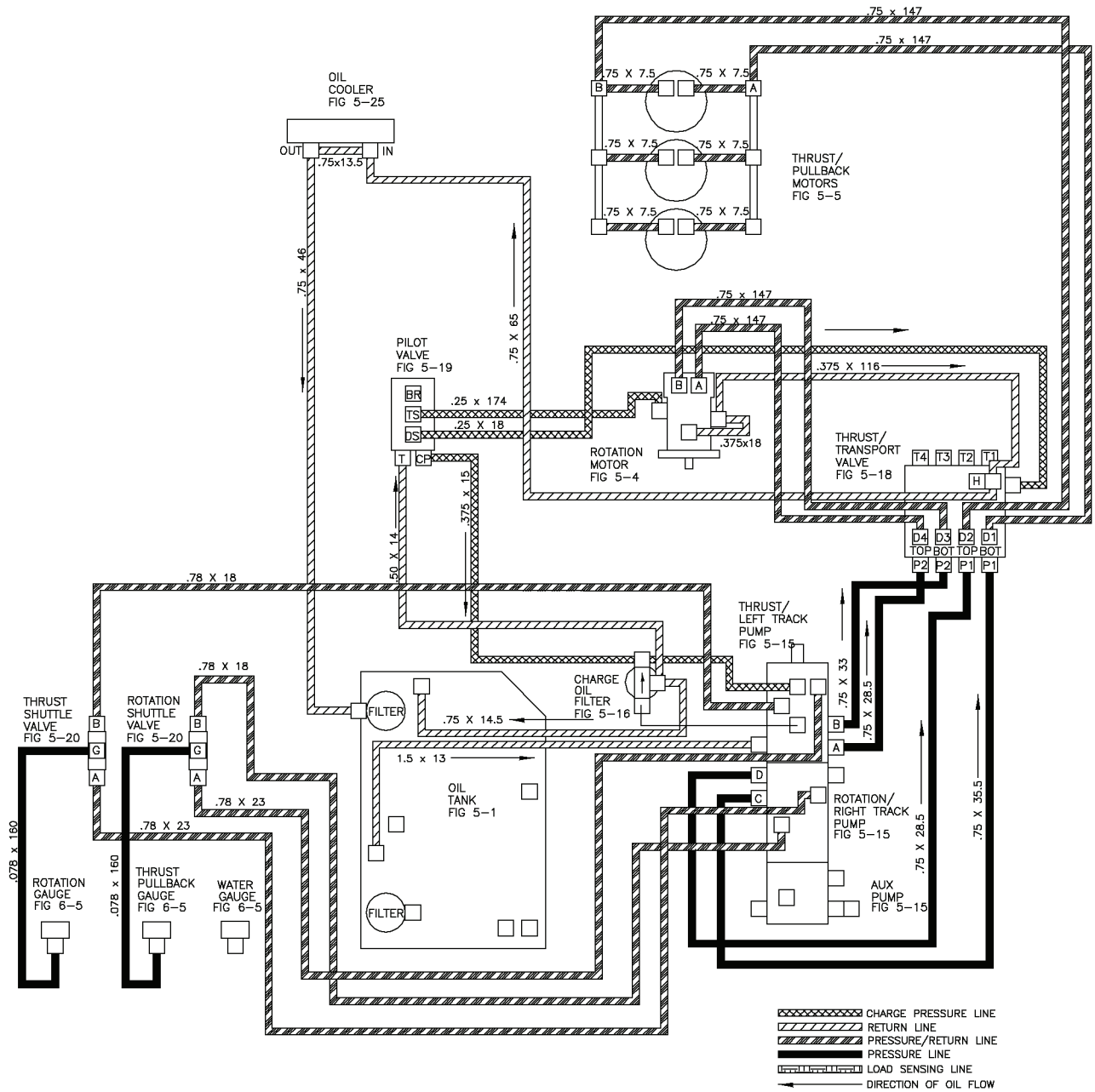
Trust/Pullback Rotation Location Diagram Fig 12-5r01



## Thrust/Pullback Rotation Location Diagram Fig 12-5r01

REF. NO.	*	PART NO.	DESCRIPTION	QTY.	REMARKS
		Revision Date	February, 2004		Update In Illustration & Parts List.
			THRUST PULLBACK ROTATION HYD COMPONENTS DIAGRAM		

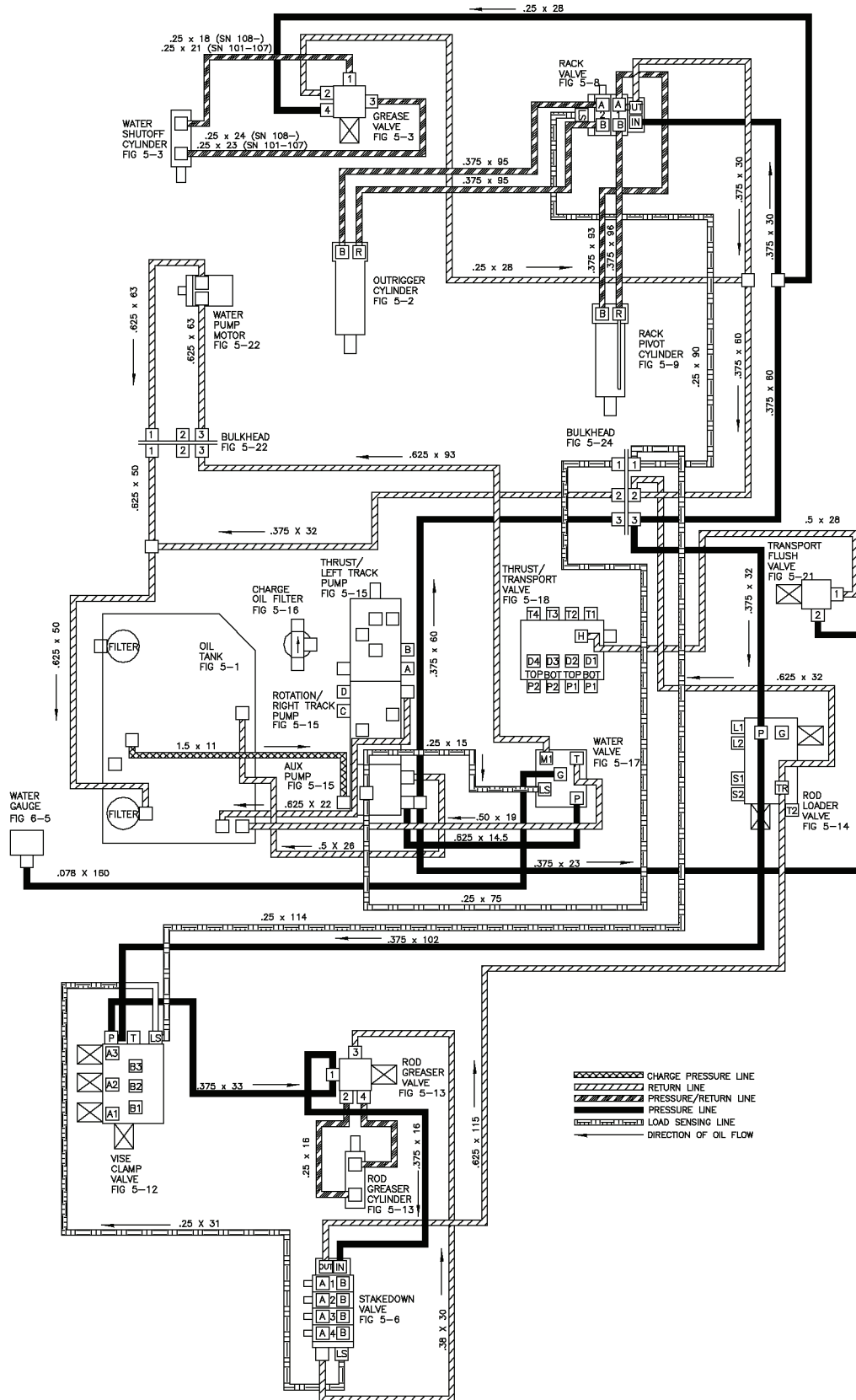
Trust/Pullback Rotation Location Diagram Fig 12-5



Trust/Pullback Rotation Location Diagram Fig 12-5

REF. NO.	*	PART NO.	DESCRIPTION	QTY.	REMARKS
			THRUST PULLBACK ROTATION HYD COMPONENTS DIAGRAM		

Implement Hyd Location Diagram Fig 12-6r03

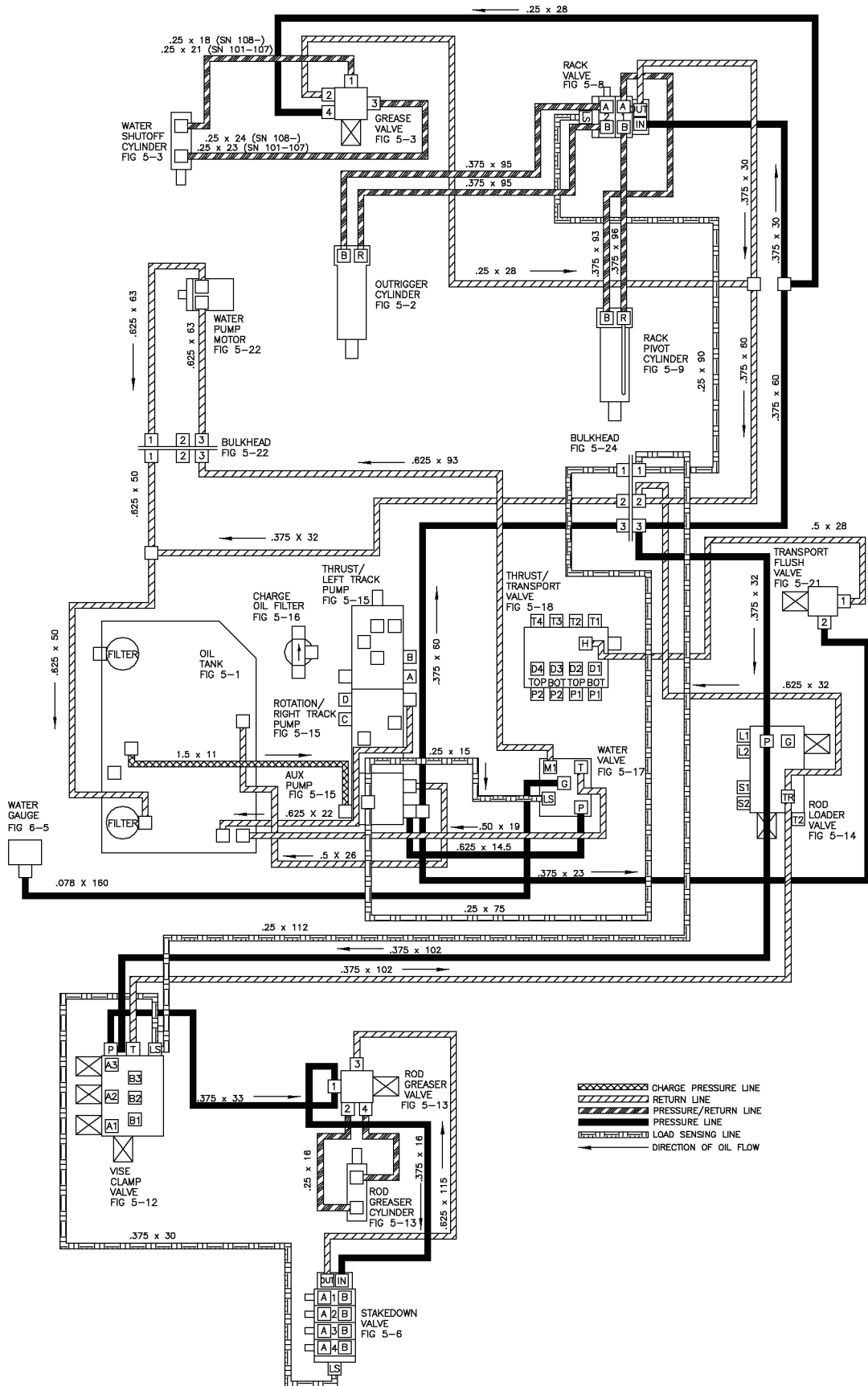




Implement Hyd Location Diagram Fig 12-6r03

REF. NO.	*	PART NO.	DESCRIPTION	QTY.	REMARKS
		Revision Date	May, 2005		Update In Illustration.

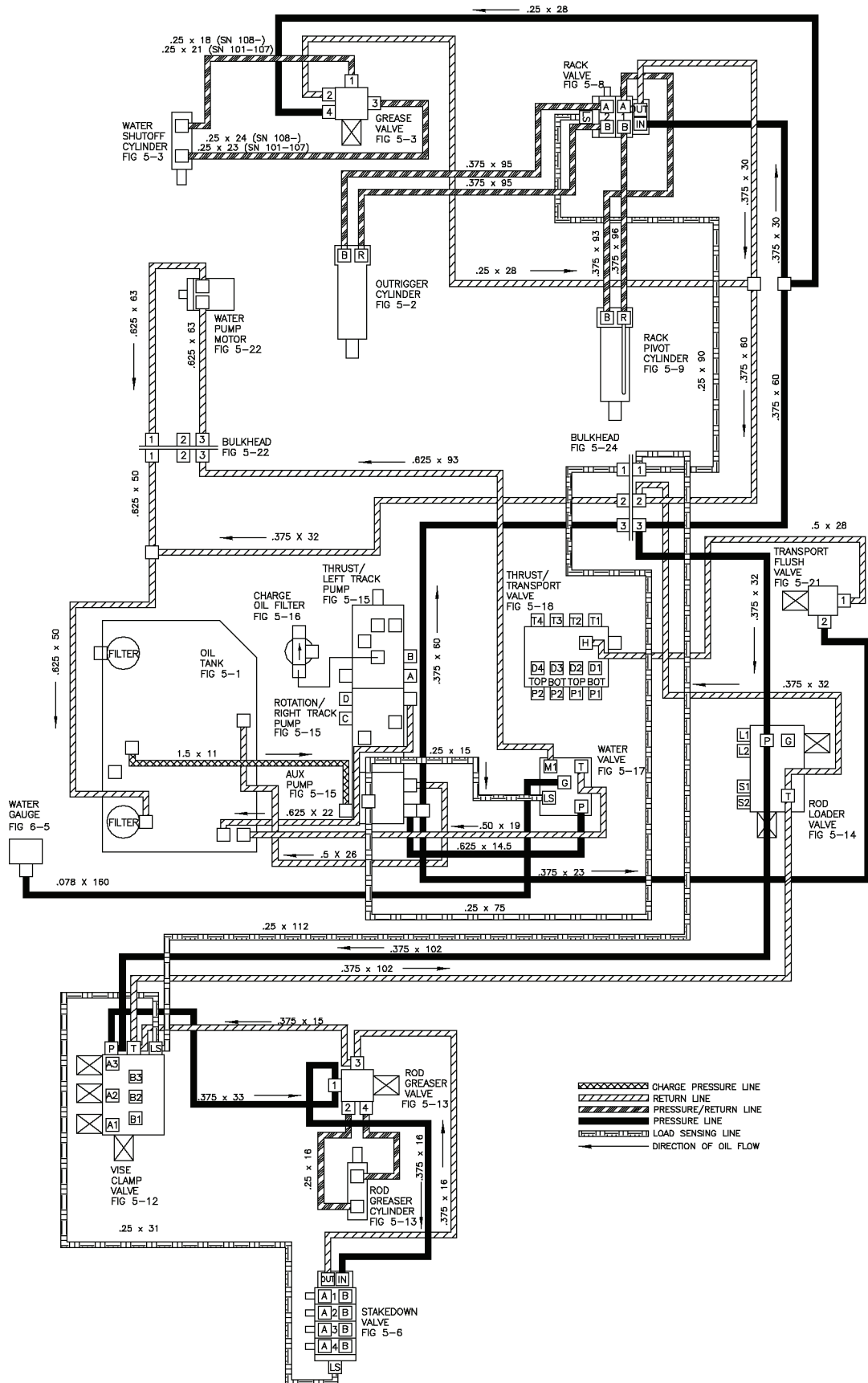
Implement Hyd Location Diagram Fig 12-6r02



## Implement Hyd Location Diagram Fig 12-6r02

REF. NO.	*	PART NO.	DESCRIPTION	QTY.	REMARKS
		Revision Date	June, 2004		Update In Illustration & Parts List.
			IMPLEMENT HYD COMPONENTS LOCATION DIAGRAM		

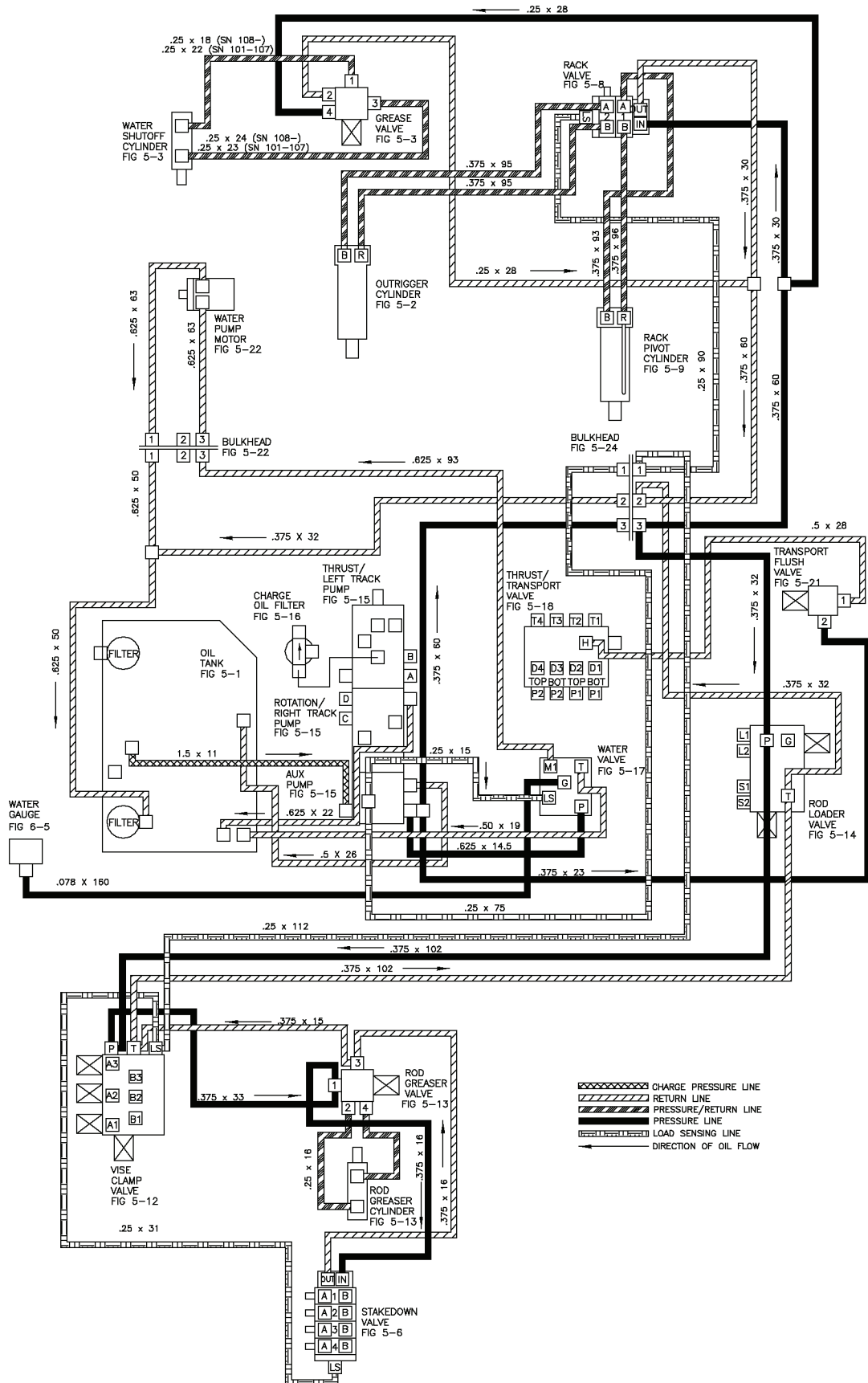
Implement Hyd Location Diagram Fig 12-6r01



**Implement Hyd Location Diagram Fig 12-6r01**

<b>REF. NO.</b>	<b>*</b>	<b>PART NO.</b>	<b>DESCRIPTION</b>	<b>QTY.</b>	<b>REMARKS</b>
		Revision Date	February, 2004		Update In Illustration.
			IMPLEMENT HYD COMPONENTS LOCATION DIAGRAM		

Implement Hyd Location Diagram Fig 12-6



**Implement Hyd Location Diagram Fig 12-6**

<b>REF. NO.</b>	<b>*</b>	<b>PART NO.</b>	<b>DESCRIPTION</b>	<b>QTY.</b>	<b>REMARKS</b>
			IMPLEMENT HYD COMPONENTS LOCATION DIAGRAM		

This page intentionally left blank.



### Revision History

REVISION	DATE	PAGE(S)	DESCRIPTION
P1.00	May 2003	All	First Edition
P1.01	February 2004	TOC 1-2, 1-3, 1-7, 1-8, 1-11, 1-12, 2-1, 2-5, 2-6, 2-7, 3-1, 3-4, 3-5, 4-1, 4-4, 5-1, 5-3, 5-9, 5-13, 5-15, 5-18, 5-20, 6-1, 6-2, 6-4, 6-5, 6-6, 6-7, 6-10, 8-2, 9-2, 10-1, 10-2, 10-3, 10-4, 11-2, 12-4, 12-5, and 12-6	First Revision
P1.02	July 2004	TOC 1-5, 1-10, 2-2, 2-5, 3-1, 4-1, 4-2, 4-3, 5-1, 5-4, 5-6, 5-12, 5-13, 5-14, 5-15, 5-16, 5-18, 5-19, 5-20, 5-24, 5-25, 6-2, 6-5, 6-7, 8-2, 9-1, 10-1, 10-2, 10-3, 10-4, 11-7, 11-15, 11-23, 12-5, and 12-6	Second Revision
P1.03	October 2004	TOC, 2-1, 2-3, 2-4, 5-14, 5-18, 6-2, 10-3, 11-18, 12-2	Third Revision
P1.04	May 2005	TOC, 1-1, 1-4, 1-6, 1-9, 1-11, 2-1, 2-4, 2-5, 2-9, 3-1, 3-2, 3-4, 3-5, 3-6, 4-2, 4-6, 5-1, 5-3, 5-4, 5-5, 5-6, 5-7, 5-10, 5-11, 5-12, 5-14, 5-18, 5-19, 5-24, 6-1, 6-4, 6-5, 6-9, 6-10, 7-2, 8-2, 9-1, 9-2, 10-1, 10-2, 10-3, 10-4, 11-6, 11-7, 11-15, 12-2, 12-3, 12-5, 12-6 New Pages: 2-10, 11-25, 11-26	Fourth Revision
P1.05	March, 2007	TOC, 9-2r03	Fifth Revision
P1.06	March, 2008	TOC, 2-3	Sixth Revision
P1.07	March, 2008	TOC, 5-11	Seventh Revision
P1.08	May, 2008	TOC, 11-6,	eighth Revision
P1.09	July 2008	1-5, 1-6	Ninth Revision

