

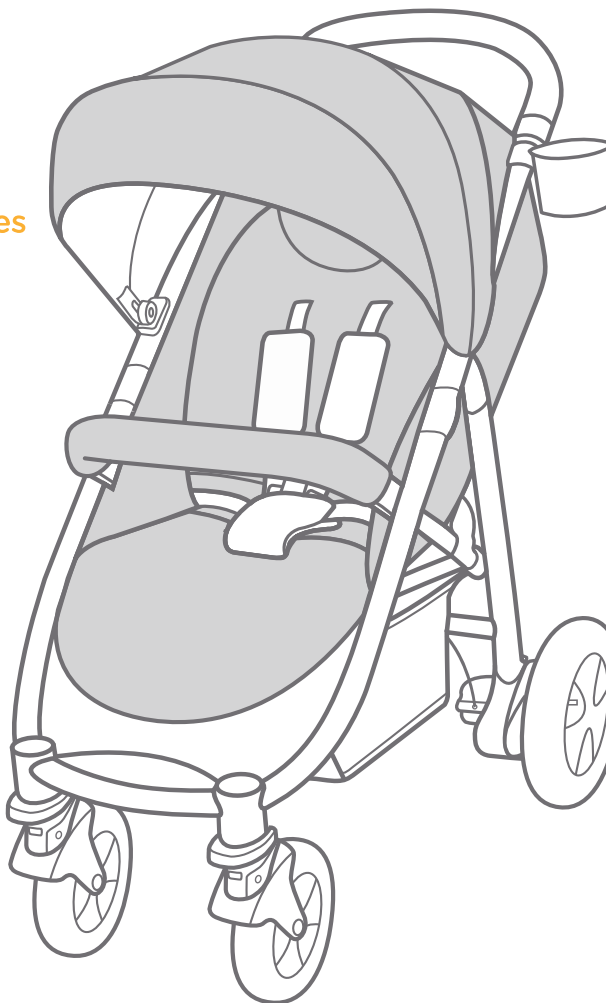
Joie™

birth to 15kg/(birth - 36 months)

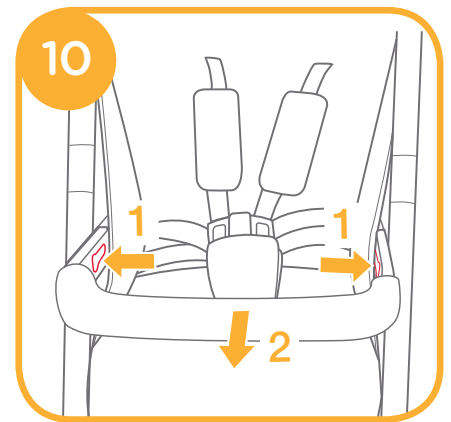
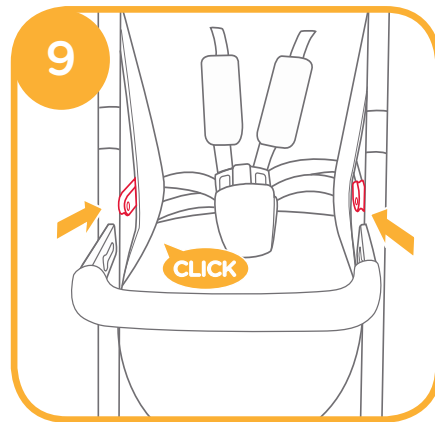
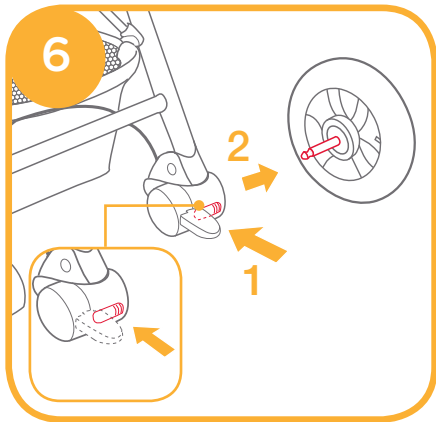
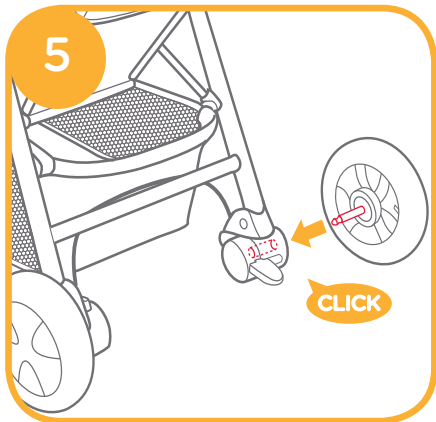
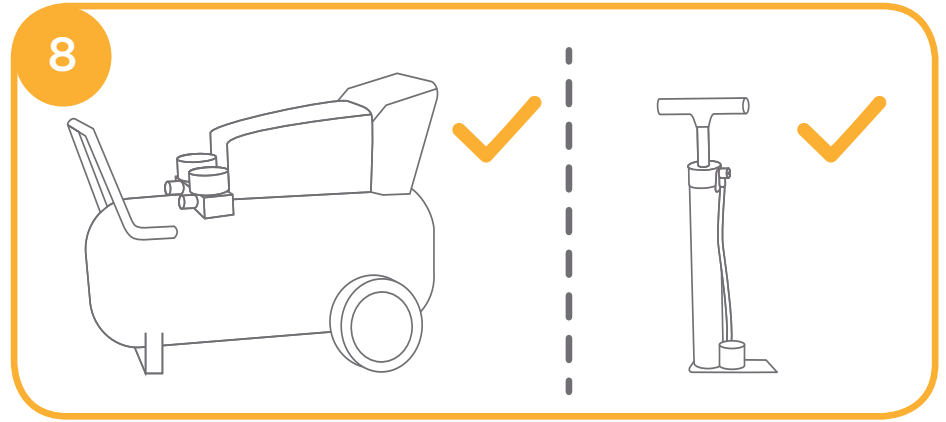
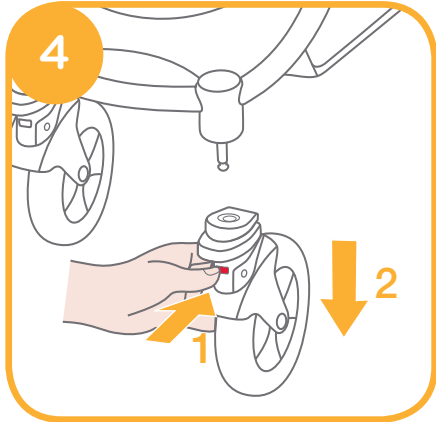
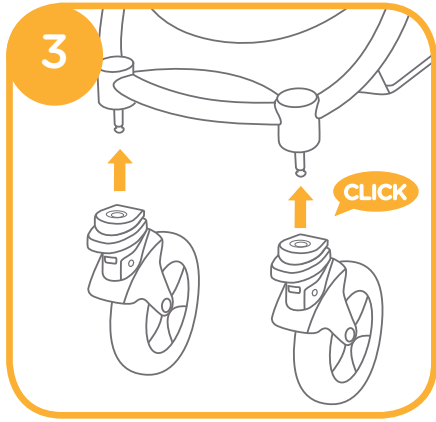
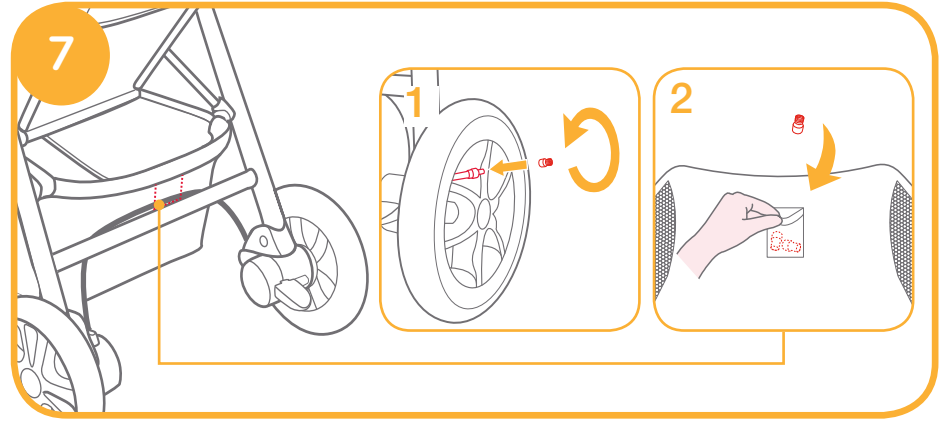
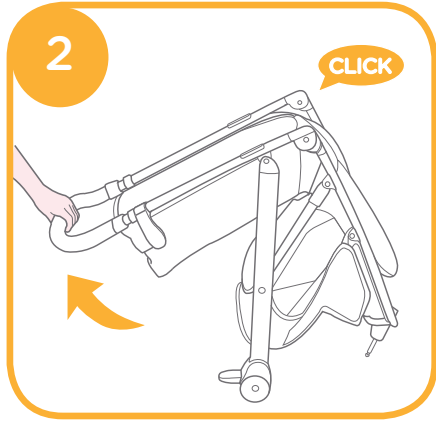
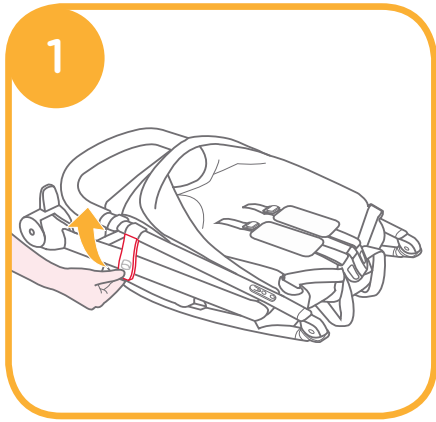
mytrax™

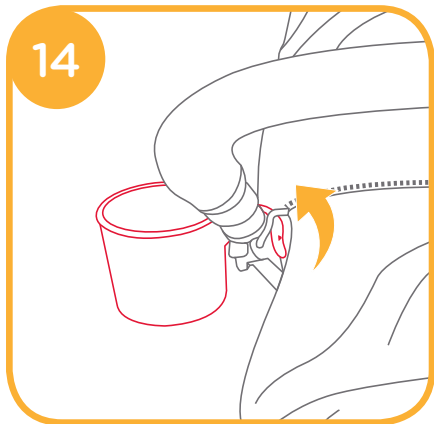
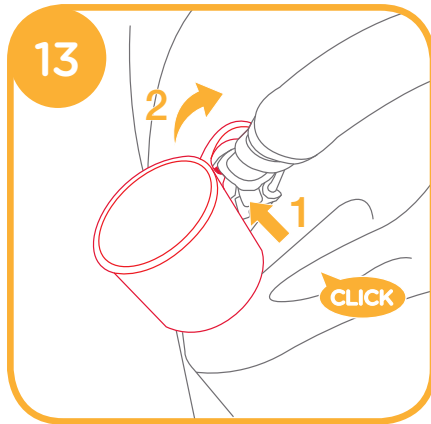
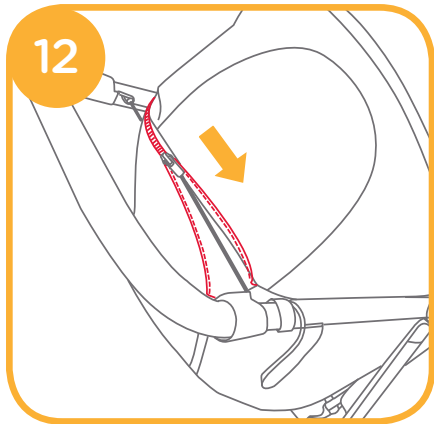
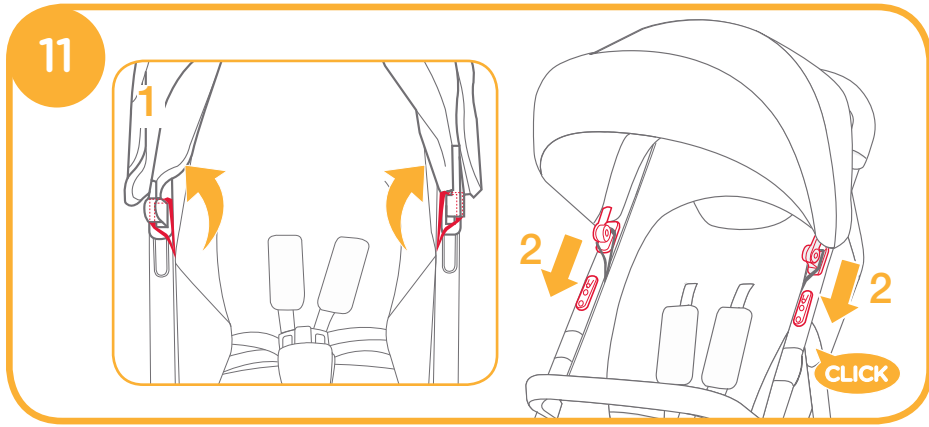
stroller

- GB Instruction Manual
- FR Manuel d'utilisateur
- DE Bedienungsanleitung
- ES Manual de instrucciones
- PT Manual de Instruções
- PL Instrukcja obsługi
- IT Manuale di istruzioni
- NL Handleiding
- TR Kullanma kılavuzu
- RU Руководство по эксплуатации
- AR دليل التعليمات

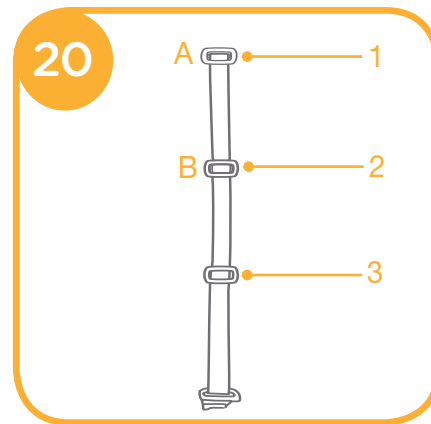
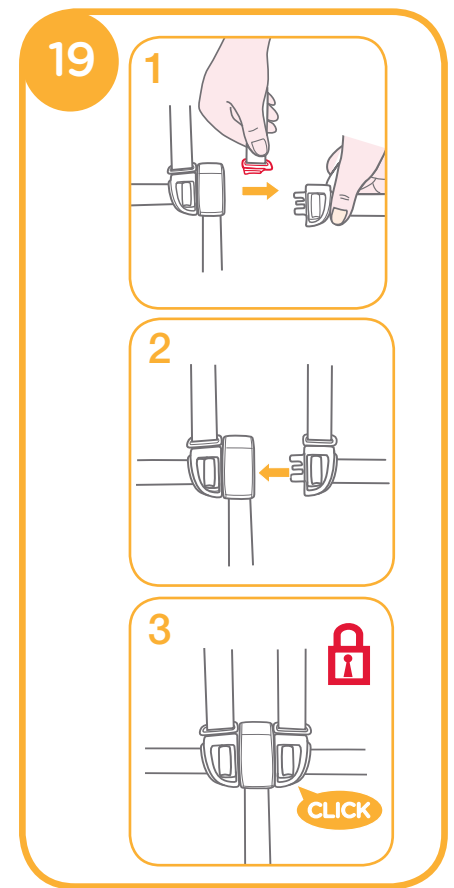
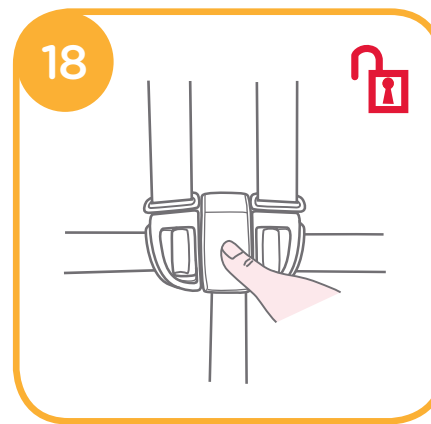


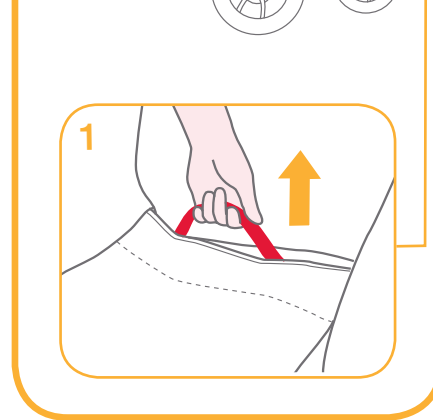
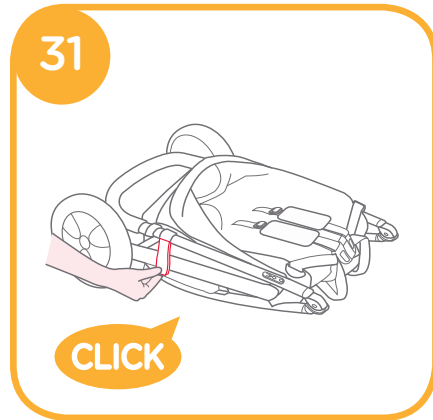
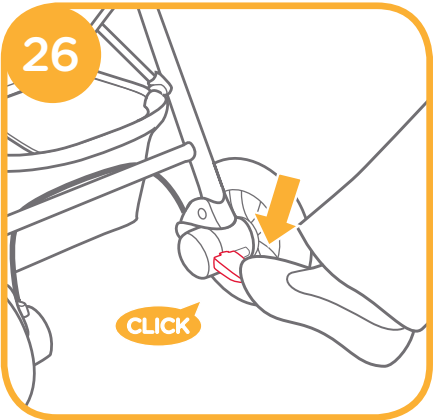
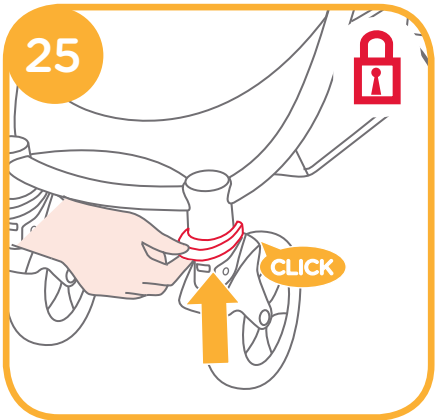
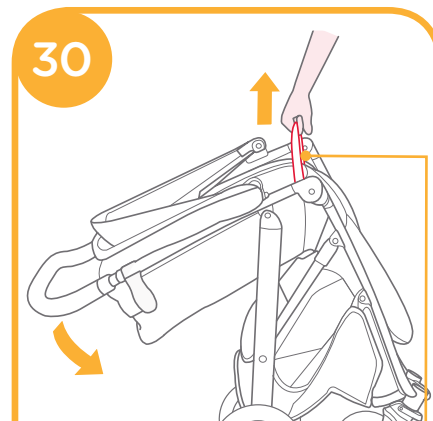
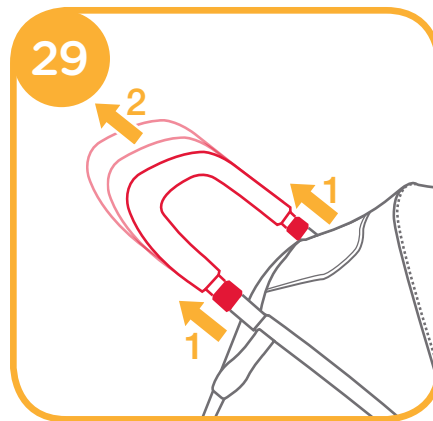
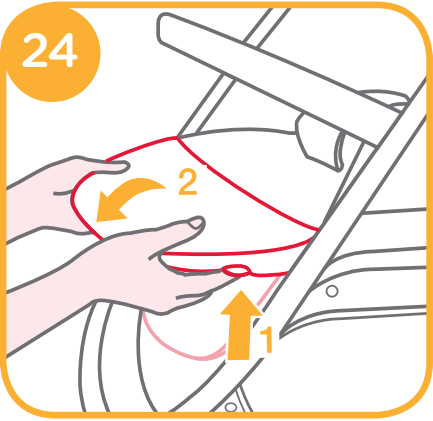
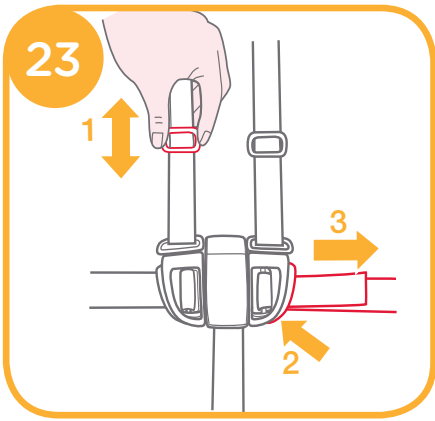
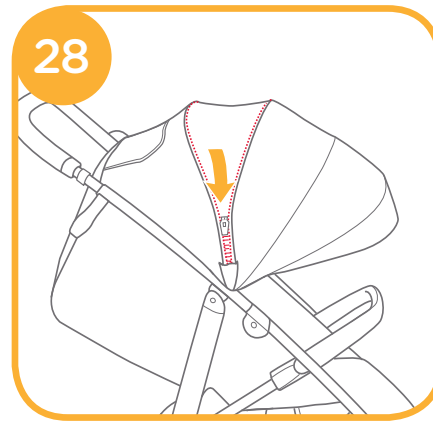
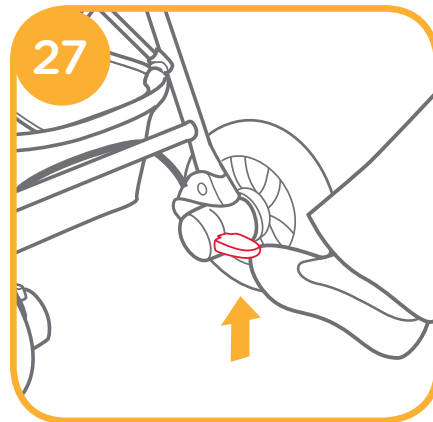
Stroller Assembly

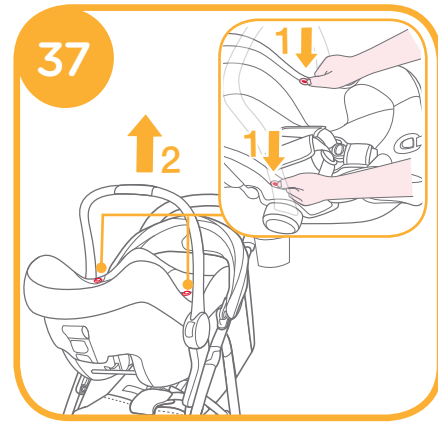
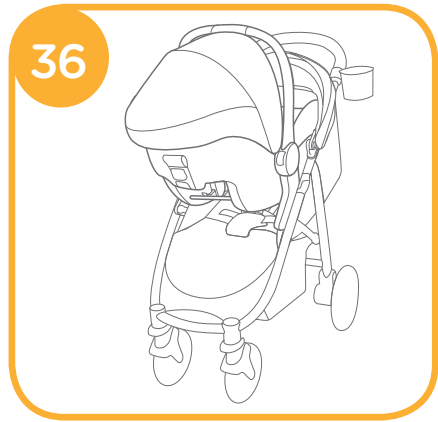
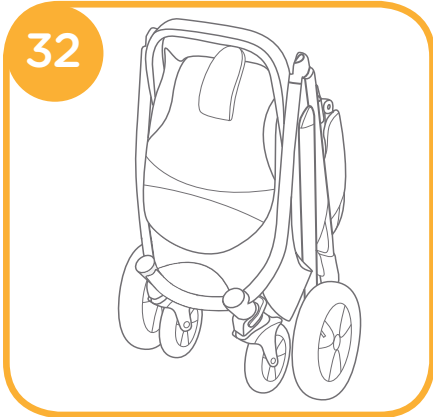




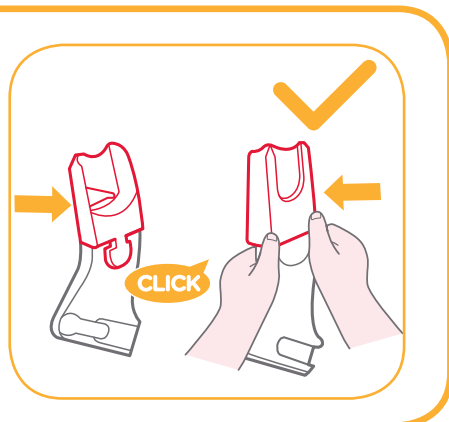
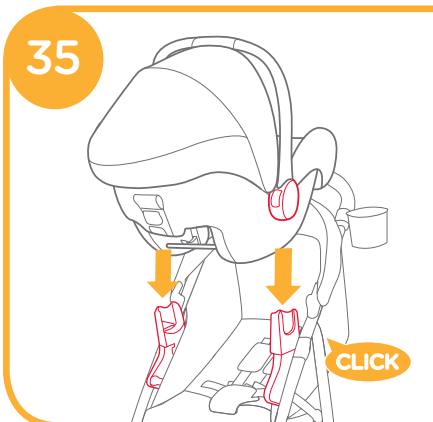
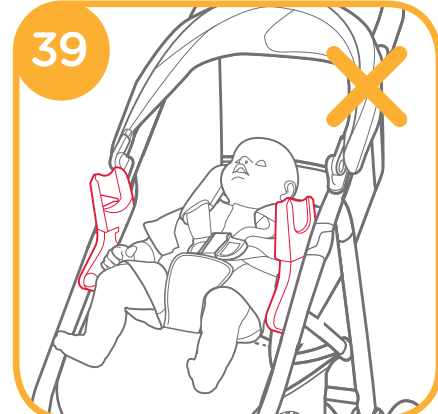
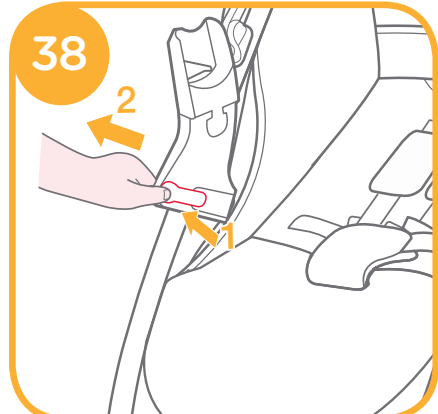
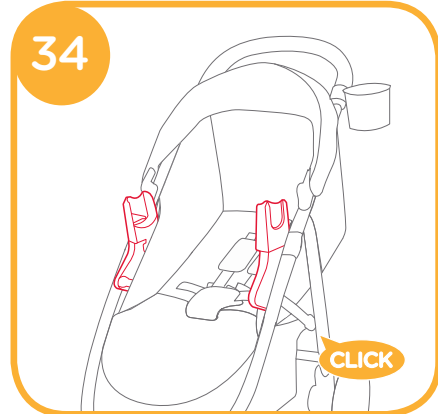
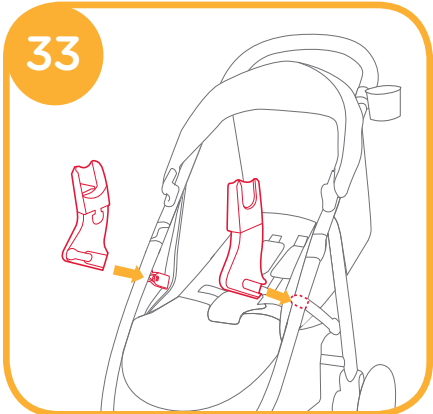
Stroller Operation



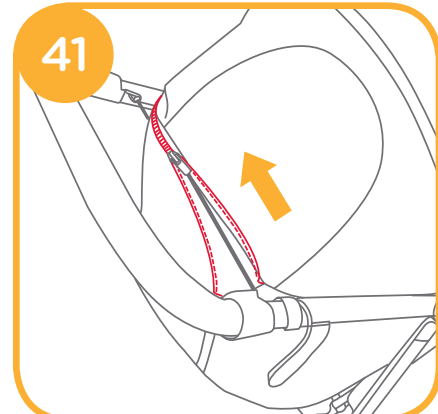
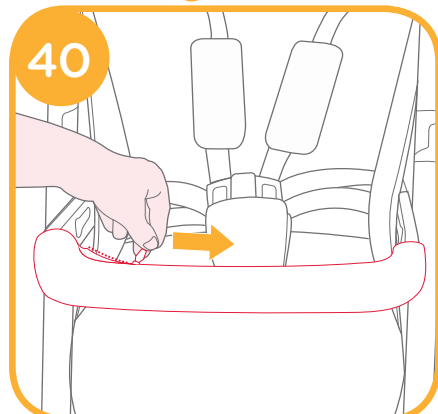


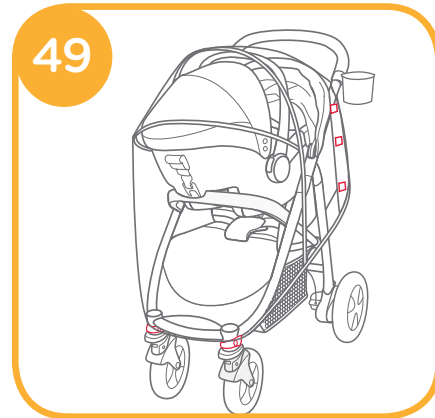
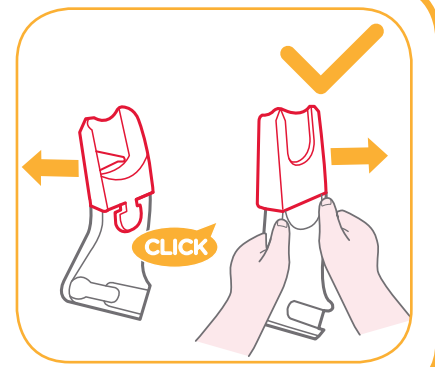
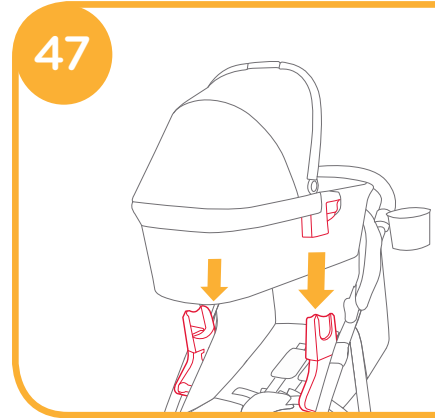
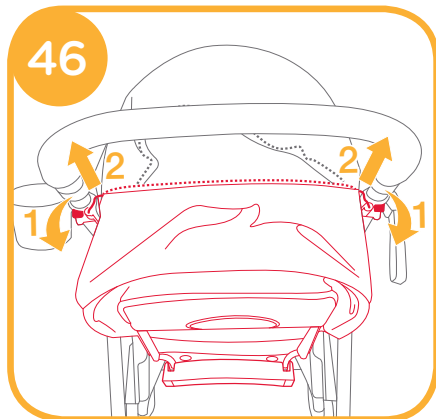
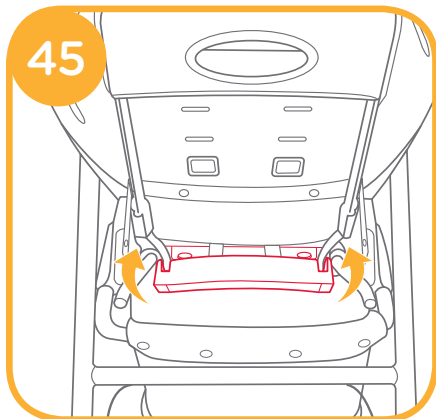
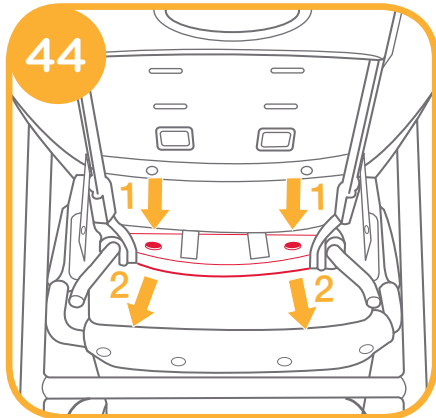
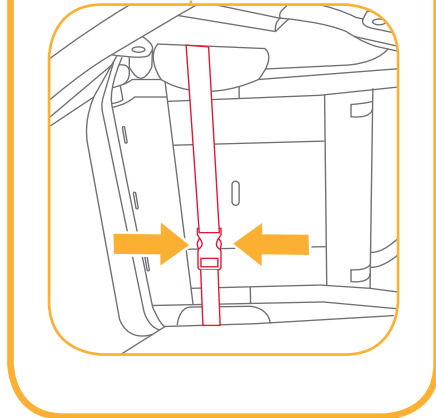
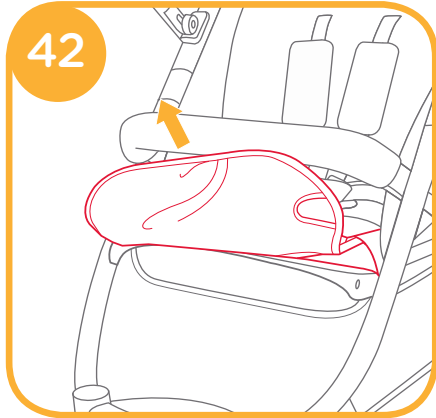


Accessories (May not be included in purchase)
 Accessories may be sold separately or may not be available depending on region.

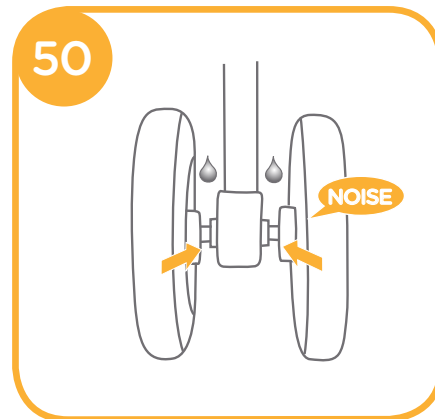


Removing Soft Goods





Care and Maintenance



Congratulations on becoming part of the Joie family! We are so excited to be part of your journey with your little one. While traveling with the Joie Mytrax™, you are using a high quality, fully certified stroller, approved to European safety standards EN 1888:2012. This product is suitable for use with children weighing under 15kg. Please carefully read this manual and follow each step to ensure a comfortable ride and best protection for your child.

IMPORTANT - Keep these instructions for future reference.

Visit us at joiebaby.com to download manuals and see more exciting Joie products!

For warranty information, please visit our website at joiebaby.com

Contents

Figures	1-10
WARNING	13
Stroller Assembly	14
Open Stroller	14
Assemble & Detach Front Wheel	15
Assemble & Detach Rear Wheel	15
Assemble & Detach Armbar	15
Assemble Canopy	15
Assemble & Detach Cupholder	15
Stroller Operation	15
Adjust Backrest	15
Use Buckle	15
Use Shoulder & Waist Harnesses	16
Adjust Calf Support	16
Use Front Swivel Lock	16
Use Brake	16
Use Canopy	17
Adjust Handle	17
Use Shoulder Harness Cover and Crotch Harness Cover	17
Fold Stroller	17
Use Accessories	17
Detach & Assemble Soft Goods	17
Cleaning and Maintenance	18

Emergency

In case of emergency or accident, it is most important to have your child taken care of with first aid and medical treatment immediately.

Product Information

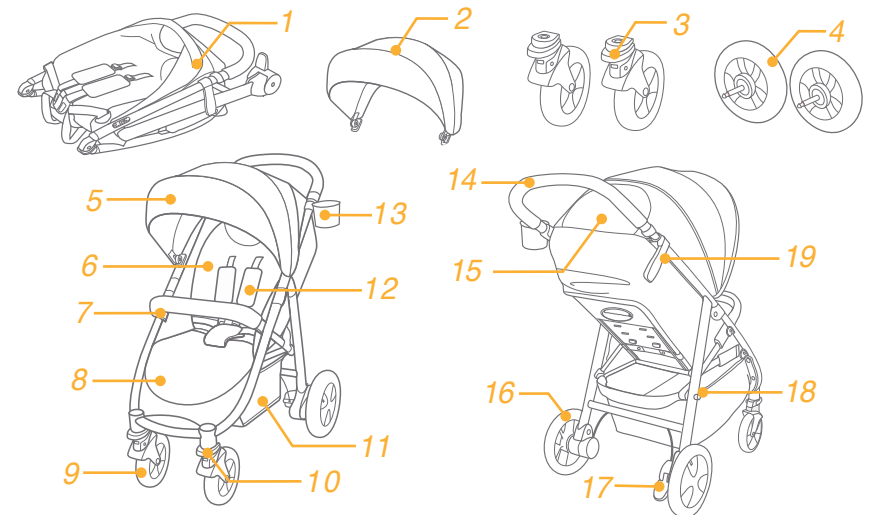
Read all the instructions in this manual before using this product. If you have any further questions, please consult the retailer. Some features may vary depending on model.

Product	Mytrax Stroller
Suitable for	Child weighing under 15kg (birth - 36 months)
Materials	Plastics, metal, fabrics
Patent No.	Patents pending
Made in	China
Brand Name	Joie
Website	www.joiebaby.com
Manufacturer	Joie Children's Products (UK) Limited

Parts List

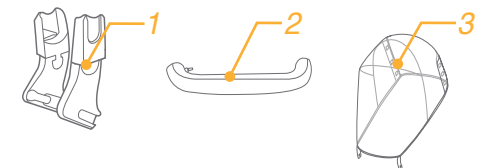
Make sure all parts are available before assembly. If any part is missing, please contact local retailer. No tools are required for assembly.

- | | | | |
|------------------|----------------|---------------------|------------------|
| 1 Stroller Frame | 6 Seat Pad | 11 Storage Basket | 16 Rear Wheel |
| 2 Canopy | 7 Armbar | 12 Shoulder Harness | 17 Brake Lever |
| 3 Front Wheel | 8 Calf Support | 13 Cupholder | 18 Storage Mount |
| 4 Rear Wheel | 9 Front Wheel | 14 Handle | 19 Storage Latch |
| 5 Canopy | 10 Swivel Lock | 15 Canopy Window | |



Accessories (May not be included)

- 1 Adapter (on certain models)
- 2 Armbar Cover (on certain models)
- 3 Rain cover (on certain models)



Accessories may be sold separately or may not be available depending on region.

WARNING

- ! WARNING Always use the restraint system. Safety belts and restraint systems must be used correctly.
- ! WARNING Ensure that all the locking devices are engaged before use.
- ! WARNING Do not let your child play with this product.
- ! WARNING Check that the pram body or infant child restraint attachment devices are correctly engaged before use.
- ! Adult assembly required.
- ! Use the stroller with a child weighing less than 15kg. It will cause damage to the stroller with an unfitted child.
- ! To prevent a hazardous, unstable condition, do not place more than 4.5kg in the storage basket.
- ! The maximum recommended weight in the cupholder is 1lbs (0.5kg).
- ! Never leave your child unattended. Always keep child in view while in stroller.
- ! Use the stroller with only one child at a time. Never place purses, shopping bags, parcels or accessory items on the handle or canopy.
- ! Accessories which are not approved by the manufacturer shall not be used. Only replacement parts supplied or recommended by the manufacturer shall be used.
- ! Overloading, folding incorrectly, or using component parts from other manufacturers may cause the stroller to be damaged, broken or unsafe. Please read the instruction manual carefully.
- ! Please read all the instructions in the manual before using the product. Please save instruction manual for future use. Failure to follow these warnings and instructions may result in serious injury or death.
- ! To avoid serious injury from falling or sliding out, always use seat belt.
- ! Make sure your child's body is clear from the moving parts when adjusting the stroller.
- ! Be sure the stroller is fully open or folded before allowing child near the stroller.
- ! Child may slip into leg openings and be strangled if the harness is not used.
- ! Never use stroller on stairs or escalators.
- ! Keep away from high temperature objects, liquids, and electronics.
- ! Never allow your child to stand on the stroller or sit in the stroller with head toward front of stroller.
- ! Never place the stroller on roads, slopes or dangerous areas.
- ! To avoid strangulation, DO NOT place items with a string around your child's neck, suspend strings from this product, or attach strings to toys.
- ! Any load attached to the handle and/or on the back of the backrest and/or on the sides of the stroller will affect the stability of the stroller.
- ! DO NOT lift stroller while child is in stroller.

- ! DO NOT use storage basket as a child carrier.
- ! To prevent tipping, never let child climb the stroller. Always lift the child in and out of the stroller.
- ! To avoid finger entrapment, use care when folding and unfolding the stroller.
- ! To avoid injury, ensure that your child is kept away when unfolding and folding this product.
- ! To ensure your child's safety, please make sure all parts are assembled and fastened properly before using the stroller.
- ! To avoid strangulation, do make sure your child is clear from the canopy.
- ! Always engage the brakes when parking the stroller.
- ! Discontinue using stroller if it is damaged or broken.
- ! Stroller to be used only at walking speed. This product is not intended for use while jogging.
- ! To avoid burns, never put hot liquids in your cupholder.
- ! To avoid suffocation, remove plastic bag and packaging materials before using this product. The plastic bag and packaging materials should then be kept away from babies and children.
- ! This product is not suitable for running or skating.
- ! Pushchair designed to be used from birth shall recommend the use of the most reclined position for new born babies.
- ! The parking device shall be engaged when placing and removing children.
- ! For infant child restraints used in conjunction with a chassis, this vehicle does not replace a cot or a bed. Should your child need to sleep, then it should be placed in a suitable pram body, cot or bed.
- ! Carry cot is only suitable for a child who cannot sit up unaided, roll over and cannot push itself up on its hands and knees. Maximum weight of the child: 9kg.
- ! DO NOT use or add any mattress other than the one supplied with the carry cot.
- ! Do not attach items to the handle, seat back or sides of the stroller. Any additional load will affect the stability of the stroller and could cause the stroller to tip.

Stroller Assembly

Please read all the instructions in this manual before assembling and using this product.

Open Stroller see images ① - ②

Separate storage latch from storage mount ①, and then lift the handle upwards ②, a click sound means the stroller is open completely.

- ! Check that the stroller is completely latched before continuing to use.

Assemble & Detach Front Wheel

see images 3 - 4

Assemble & Detach Rear Wheel

see images 5 - 8

! Operating adapters for turning Dunlop valve to Schrader valve is shown as 7. Store the adapters shown as 7 - 2 if not use them.

! CHECK the tire pressure before using the stroller. DO NOT INFLATE above the maximum recommended inflation pressure that is written on the side of the tire. 8

! Over-inflation may cause wheel and/or tire to blowout and could result in serious injury.

Assemble & Detach Armbar

see images 9 - 10

Assemble Canopy

see images 11 - 12

Assemble & Detach Cupholder

see images 13 - 14

The completely assembled stroller is shown as 15

Stroller Operation

Adjust Backrest

see images 16 - 17

There are 4 recline angles for the backrest.

Recline Backrest

To recline the backrest, squeeze the recline handle on the back of the seat, pull down on the backrest. 16

Raise Backrest

To raise the backrest, push up. 17

! Make sure the recline is set properly for use.

Use Buckle

see images 18 - 19

Release Buckle

Press the center button to release the buckle. 18

Lock Buckle

Match the waist belt buckle with the shoulder buckle 19 - 1, and click into the center buckle. 19 - 2

A "click" sound means the buckle is locked completely. 19 - 3

! To avoid serious injury from falling or sliding out, always secure your child with harness.

! Make sure your child is snugly secured. The space between the child and the shoulder harness is about the thickness of one hand.

! Do not cross the shoulder belts. This will cause pressure on a child's neck.

Use Shoulder & Waist Harnesses

see images 20 - 23

! In order to protect your child from falling out, after your child is placed into the seat, check whether the shoulder and waist harnesses are at proper height and length.

20 - 1 Shoulder harness anchor A

20 - 2 Shoulder harness anchor B

20 - 3 Slide adjuster

For larger child, use shoulder harness anchor A and the highest shoulder slots. For smaller child, use shoulder harness anchor B and the lowest shoulder slots.

To adjust the position of the shoulder harness anchor, turn the anchor to be level with the side facing forward. Thread it through the shoulder harness slot from back to front. 21 Rethread it through the slot that is closest to child's shoulder height. 22

Use slide adjuster to change the harness length. 23 - 1

Press the button 23 - 2, while pulling the waist harness to proper length. 23 - 3

Adjust Calf Support

see images 24

The calf support has 2 positions.

To raise the calf support, push it upwards. A "click" sound means the calf is locked completely.

To lower calf support, press the adjustment buttons on both sides of the calf support 24 - 1, and rotate the calf support downwards. 24 - 2

Use Front Swivel Lock

see images 25

Push up the front swivel locks to maintain the moving direction. 25

Tip It is recommended to use swivel locks on uneven surfaces.

Use Brake

see images 26 - 27

To lock wheels, step the brake lever downwards. 26

To release wheels, just lift the brake lever upwards. 27

Tip Always set the parking brake when stroller is not moving.

Use Canopy

see images 28

The canopy can be opened or folded, pull it toward front or back.

The canopy can be opened completely to protect your child from the sun uttermostly, just unzip the zip 28, and then pull the canopy toward front.

There is a window on the canopy, through which you can view your baby.

Adjust Handle

see images 29

Use Shoulder Harness Cover and Crotch Harness Cover

The shoulder harness cover or crotch harness cover can be removed from the webbing. To assemble shoulder harness cover and crotch harness cover in reverse steps.

Fold Stroller

see images 30 - 32

! Please fold the canopy before folding the stroller.

1. Pull the folding webbing upward, the frame will automatically fold backward. 30 - 1
2. The storage latch will automatically hook onto the storage mount, then the stroller is folded and locked completely. 31
3. The stroller can stand when folded. 32

Use Accessories

Accessories may be sold separately or may not be available depending on region.

Use with Infant Child Restraint

see images 33 - 39

When using with Joie infant child restraint gemm, please refer to the following instructions.

- ! Before using the infant child restraint, please make sure the backrest has been adjusted to the lowest position and the infant child restraint has been fastened.
- ! If you have any problems about using the infant child restraint, please refer to their own instruction manuals.
- ! Please do not fold the stroller when the infant child restraint is still attached.

Detach & Assemble Soft Goods

see images 40 - 46

1. Remove armbar cover shown as 40
2. Open the zipper which is on the rear panel of canopy. 41
 - ! Adjust backrest to the lowest position to be convenient to remove soft goods.

3. Remove calf support cover. 42
4. Open the buckle which is on the bottom of seat. 43
5. Press the button and rotate the support block to be convenient to remove soft goods. 44 45
6. Press the button which is on the bottom of handle, then pull soft goods rearwards to remove it. 46

To re-assemble seat soft goods, follow the steps above in reverse 46 - 41

Use with Joie Carry Cot

see images 47

When using with Joie carry cot ramble, please refer to the following instructions.

- ! If you have any problems about using the carry cot, please refer to their own instruction manuals.
- ! Always use the mattress when using the carry cot.
- ! Please don't fold stroller when attaching the carry cot.

Use Rain Cover

see images 49

To assemble the rain cover, place it over the stroller, and then attach the 8 pairs of hook and loop fasteners on the rain cover. 49

- ! Before using the rain cover, please make sure the backrest has been adjusted to the lowest position and the infant child restraint has been fastened.
- ! When using the rain cover, please always check its ventilation.
- ! When not in use, please check that the rain cover has been cleaned and dried before folding.
- ! Do not fold the stroller after assembling the rain cover.
- ! Do not place your child into the stroller assembled with rain cover during hot weather.

Cleaning and Maintenance

see images 50

- ! To clean stroller frame, use only household soap and warm water. No bleach or detergent. Please refer to the care label for instructions on cleaning the fabric parts of the stroller.
- ! From time to time, check your stroller for loose screws, worn parts, torn material or stitching. Replace or repair the parts as needed. Periodically wipe clean plastic parts with a soft damp cloth. Always dry the metal parts to prevent the formation of rust if the stroller has come into contact with water.
- ! Excessive exposure to sun or heat could cause fading or warping of parts.
- ! If stroller becomes wet, open canopy and allow to dry thoroughly before storing.
- ! If wheels squeak, use a light oil (e.g., Silicon Spray, antirust oil, or sewing machine oil). It is important to get the oil into the axle and wheel assembly. 50
- ! When using your stroller at the beach or other sandy/dusty environments, completely clean your stroller after use to remove sand and salt from mechanisms and wheel assemblies.

Nous vous félicitons d'avoir rejoint la famille Joie ! Nous sommes très heureux de pouvoir faire partie de vos déplacements avec votre petit. Lorsque vous voyagez avec Joie Mytrax™, vous utilisez une poussette de haute qualité, pleinement certifiée et approuvée par les normes de sécurité européennes EN 1888:2012. Ce produit convient aux enfants de moins de 15 kg. Lisez attentivement le présent manuel et suivez chaque étape pour promener votre enfant confortablement et en toute sécurité.

IMPORTANT - Conservez ces instructions pour toute référence future.

Visitez notre site joiebaby.com pour télécharger des manuels et découvrir encore plus de superbes produits Joie !

Pour plus d'informations sur le service de garantie, veuillez consulter notre site Web à l'adresse suivante : www.joiebaby.com

Sommaire

Figures	1-10
AVERTISSEMENT	21
Assemblage de la poussette	23
Ouverture de la poussette	23
Assemblage et retrait des roues avant	23
Assemblage et retrait des roues arrière	23
Assemblage et retrait de la barre de retenue	23
Assembler la voilure	23
Assembler et Détacher porte-gobelet	23
Utilisation de la poussette	23
Réglage du dossier	23
Utilisation de la boucle de ceinture	23
Utilisation des harnais d'épaules et de taille	24
Réglage du repose-mollets	24
Utilisation des verrouillages de pivotement avant	24
Utilisation du frein	24
Utilisation de la voilure	25
Ajustement de la poignée	25
Utilisation de la housse du harnais pour épaules ou de la housse du harnais pour bassin	25
Pliage de la poussette	25
Utilisation des accessoires	25
Détacher et assembler les parties souples	26
Nettoyage et maintenance	26

Urgence

En cas d'urgence ou d'accident, il est très important de prendre immédiatement soin de votre enfant en lui prodiguant les soins de premiers secours puis en le faisant examiner par un médecin.

Informations sur le produit

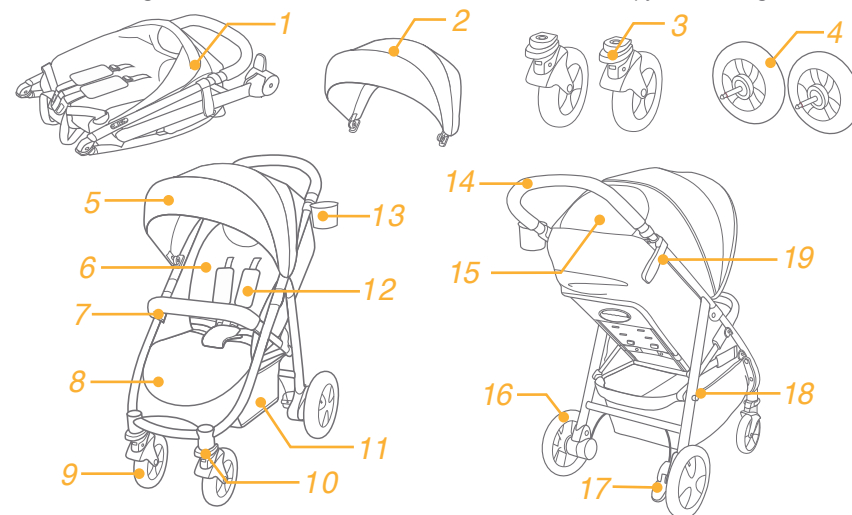
Veuillez lire toutes les instructions du présent manuel avant d'utiliser ce produit. Pour toutes questions supplémentaires, veuillez consulter le revendeur. Certaines fonctionnalités peuvent ne pas être présentes sur certains modèles.

Produit	Poussette Mytrax
Convient aux enfants	enfants pesant moins de 15 kg (naissance à 36 mois)
Matières	Plastique, métal, tissus
Brevet n°	Brevets déposés
Fabriqué en	Chine
Nom de la marque	Joie
Site Web	www.joiebaby.com
Fabricant	Joie Childrens Products (UK) Limited

Liste des pièces

Assurez-vous que toutes les pièces sont présentes avant l'assemblage. Si une pièce est manquante, veuillez contacter votre revendeur local. L'assemblage ne nécessite aucun outil.

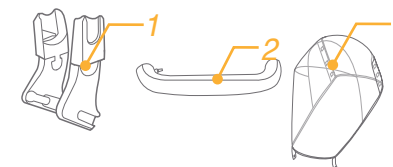
1 Cadre de la poussette	7 Appuie-mains	16 Roue arrière
2 Voilure	8 Repose-mollets	17 Levier de frein
3 Roue avant	9 Roue avant	18 Support de rangement
4 Roue arrière	10 Verrouillage de pivotement	19 Loquet de rangement
5 Voilure	11 Panier de rangement	
6 Coussin de siège		



Accessoires

(Peuvent ne pas être inclus)

- 1 Adaptateur (sur certains modèles)
- 2 Housse de barre de retenue (sur certains modèles)
- 3 Housse pour la pluie



Les accessoires peuvent être vendus séparément ou ne pas être disponibles selon la région.

AVERTISSEMENT

- ! AVERTISSEMENT Utilisez toujours le système de retenue. Les ceintures de sécurité et le système de retenue doivent être utilisés correctement.
- ! AVERTISSEMENT Avant d'utiliser le produit, assurez-vous que tous les dispositifs de verrouillage sont enclenchés.
- ! AVERTISSEMENT Ne laissez pas votre enfant jouer avec ce produit.
- ! AVERTISSEMENT Assurez-vous que les dispositifs de fixation du siège de bébé sont correctement enclenchés avant l'utilisation.
- ! L'assemblage du produit doit être effectué par un adulte.
- ! Utilisation de la poussette avec un enfant pesant moins de 15 kg. Cela endommagera la poussette avec un enfant non installé.
- ! Pour éviter des situations dangereuses ou instables, ne placez pas plus de 4,5 kg dans le panier de rangement.
- ! Le poids maximum recommandé dans le porte-gobelet est 1 lb (0,5 kg).
- ! Ne laissez jamais votre enfant sans surveillance. Ne perdez jamais de vue l'enfant quand il est dans la poussette.
- ! Utilisez la poussette avec un seul enfant à la fois. Ne mettez jamais les sacs à main, les sacs de courses, les paquets ou les accessoires sur la poignée ou le voilage.
- ! Les accessoires non homologués par le fabricant ne doivent pas être utilisés. Seules des pièces de rechange fournies ou conseillées par le fabricant doivent être utilisées.
- ! Toute surcharge, pliage incorrect, utilisation de composants d'autres fabricants peuvent endommager la poussette ou la rendre dangereuse. Lisez attentivement le manuel d'utilisation.
- ! Lisez toutes les consignes de ce manuel avant d'utiliser le produit. Conservez le guide d'utilisation pour toute référence future. Le non-respect des avertissements ou des consignes peut entraîner des blessures graves, voir la mort.
- ! Utilisez toujours la ceinture de sécurité pour éviter que l'enfant ne se blesse en tombant ou en glissant du siège.
- ! Assurez-vous que le corps de votre enfant est exempt des pièces mobiles lors du réglage de la poussette.
- ! Assurez-vous que la poussette est complètement ouverte ou pliée avant de laisser un enfant à proximité de la poussette.
- ! L'enfant peut glisser par les ouvertures des jambes et être étranglé si le harnais n'est pas attaché.
- ! N'utilisez jamais la poussette dans des escaliers ou des escaliers mécaniques.
- ! Ne placez pas dans la poussette des objets chauds, des liquides ou des appareils électroniques.
- ! Ne laissez jamais votre enfant se tenir debout sur la poussette ou s'asseoir avec la tête vers l'avant.

- ! Ne placez jamais la poussette sur la route, dans une pente ou à un endroit dangereux.
- ! Pour éviter tout étranglement, ne placez AUCUN objet avec une ficelle autour du cou de votre enfant, ne suspendez aucune ficelle à ce produit, et n'attachez aucune ficelle aux jouets.
- ! Les charges attachées à la poignée ou au dos du dossier ou sur les côtés de la poussette affectent la stabilité de la poussette.
- ! NE soulevez Pas la poussette quand l'enfant est dedans.
- ! N'utilisez pas le panier de rangement comme un porte-bébé.
- ! Pour empêcher tout basculement, ne laissez jamais l'enfant monter seul dans la poussette. Il faut toujours placer et sortir vous même l'enfant de la poussette.
- ! Pour éviter le coincement des doigts, faites attention lors du pliage et du dépliage de la poussette.
- ! Lors du dépliage et du pliage de ce produit, éloignez votre enfant pour éviter les blessures.
- ! Pour assurer la sécurité de votre enfant, assurez-vous que toutes les pièces sont assemblées et fixées correctement avant d'utiliser la poussette.
- ! Pour éviter un étranglement, assurez-vous que votre enfant est éloigné de la voilure.
- ! Mettez toujours les freins lorsque vous stationnez la poussette.
- ! Il ne faut plus utiliser la poussette si elle est endommagée ou cassée.
- ! La poussette doit être poussée à la vitesse de marche. Ce produit n'est pas destiné à être utilisé en faisant du jogging.
- ! Pour éviter les brûlures, ne mettez jamais de liquides chauds dans le porte-gobelet.
- ! Pour éviter tout risque d'étouffement, enlevez le sac en plastique et les matériaux d'emballage avant d'utiliser ce produit. Le sac en plastique et les matériaux d'emballage doivent être conservés à l'abri des bébés et des enfants.
- ! Ne pas utiliser ce produit en courant ni en patinant.
- ! Il est conseillé d'utiliser la poussette dans sa position la plus inclinée pour les nouveau-nés.
- ! Le dispositif de stationnement doit être enclenché lorsque vous placez ou retirez l'enfant de la poussette.
- ! Cette poussette ne remplace pas un berceau ni un lit même lorsque le dispositif de retenue pour bébé/enfant est utilisé. Si votre enfant a besoin de dormir, il doit être placé dans un landau, un berceau ou un lit approprié.
- ! La nacelle correspond seulement pour un enfant qui ne peut pas se tenir droit sans aide, qui ne peut pas rouler et se lever lui-même sur ses bras et genoux. Le poids maximum de l'enfant: 9 kilos.
- ! N'utilisez et n'ajoutez pas un matelas autre que celui fourni avec la nacelle.

Assemblage de la poussette

Lisez toutes les instructions du présent manuel avant d'assembler et d'utiliser ce produit.

Ouverture de la poussette

voir les images 1 - 2

Séparez le loquet de stockage du support de stockage 1, puis levez la poignée vers le haut 2, un son de clic signifie que la poussette est complètement ouverte.

! Vérifiez que la poussette est complètement verrouillée avant de poursuivre.

Assemblage et retrait des roues avant

voir les images 3 - 4

Assemblage et retrait des roues arrière

voir les images 5 - 8

Assemblage et retrait de la barre de retenue

voir les images 9 - 10

Assembler la voilure

voir les images 11 - 12

Assembler et Détacher porte-gobelet

voir les images 13 - 14

La poussette complètement assemblée est illustrée sur l'image 15

Utilisation de la poussette

Réglage du dossier

voir les images 16 - 17

Il existe 4 angles d'inclinaison pour le dossier.

Inclinaison du dossier

Pour incliner le dossier, appuyez sur la poignée d'inclinaison à l'arrière du siège, tirez sur le dossier. 16

Relever le dossier

Pour relever le dossier, poussez-le. 17

! L'inclinaison doit être réglée correctement avant utilisation.

Utilisation de la boucle de ceinture

voir les images 18 - 19

Déverrouillage de la boucle

Appuyez sur le bouton central pour déverrouiller la boucle. 18

Verrouillage de la boucle

Faites correspondre la boucle de la ceinture pour la taille avec la boucle d'épaules 19 - 1, puis enclenchez dans la boucle centrale. 19 - 2 Vous entendrez un « clic » signifiant que la boucle est complètement verrouillée. 19 - 3

! Utilisez toujours la ceinture de sécurité pour éviter que l'enfant ne se blesse en tombant ou en glissant du siège.

! Vérifiez que votre enfant est bien attaché. L'espace entre l'enfant et le harnais pour épaules doit faire environ l'épaisseur d'une main.

! Ne croisez pas les harnais d'épaules. Autrement cela entraîne une pression sur le cou de l'enfant.

Utilisation des harnais d'épaules et de taille

voir les images 20 - 23

! Pour protéger votre enfant de tomber, vérifiez que les harnais d'épaules et de taille sont à la bonne hauteur et la bonne longueur une fois l'enfant placé dans le siège.

20 - 1 Point d'ancrage A du harnais d'épaules

20 - 2 Point d'ancrage B du harnais d'épaules

20 - 3 Curseur de réglage coulissant

Pour les enfants de grande taille, utilisez le point d'ancrage A du harnais d'épaules et les fentes les plus élevées au niveau des épaules. Pour les enfants de petite taille, utilisez le point d'ancrage B du harnais d'épaules et les fentes les plus élevées au niveau des épaules.

Pour régler la position du point d'ancrage du harnais d'épaules, retournez l'œillet face avant de manière à être au même niveau. Le passer à travers la fente du harnais d'épaules, de l'arrière vers l'avant. 21 Le refaire passer à travers la fente la plus proche de la hauteur des épaules de l'enfant. 22

Utilisez le curseur de réglage coulissant pour ajuster la longueur du harnais. 23 - 1

Appuyez sur le bouton 23 - 2, tout en tirant sur le harnais à la taille jusqu'à la longueur souhaitée. 23 - 3

Réglage du repose-mollets

voir les images 24

Le repose-mollets comprend 2 positions.

Pour remonter le repose-mollets, poussez-le vers le haut. Vous entendrez un « clic » signifiant que le repose-mollets est complètement verrouillé.

Pour abaisser le repose-mollets, appuyez sur les boutons d'ajustement des deux côtés du repose-mollets 24 - 1, puis faites tourner le repose-mollets vers le bas. 24 - 2

Utilisation des verrouillages de pivotement avant

voir les images 25

Poussez vers le haut les verrouillages de pivotement avant pour figer le sens de déplacement. 25

Astuce Il est recommandé d'utiliser les verrous de pivot sur les surfaces irrégulières.

Utilisation du frein

voir les images 26 - 27

Pour verrouiller les roues, abaissez le levier du frein. 26

Pour libérer les roues, soulevez le levier du frein. 27

Astuce Utilisez toujours le frein d'arrêt lorsque la poussette n'est pas en déplacement.

Utilisation de la voilure

voir les images 28

La voilure peut être ouverte ou pliée, tirez-la vers l'avant ou l'arrière.

La voilure peut être ouverte complètement pour protéger votre enfant du soleil au maximum, ouvrez simplement la fermeture éclair 28, puis tirez la voilure vers l'avant.

La voilure est dotée d'une fenêtre, à travers laquelle vous pouvez voir votre bébé.

Ajustement de la poignée

voir les images 29

Utilisation de la housse du harnais pour épaules ou de la housse du harnais pour bassin

La housse du harnais pour épaules ou la housse du harnais pour bassin peuvent être retirées de la toile. Pour assembler la housse du harnais pour épaules ou la housse du harnais pour bassin, procédez dans l'ordre inverse.

Pliage de la poussette

voir les images 30 - 32

! Veuillez plier la voilure avant de plier la poussette.

1. Tirez la toile de pliage vers le haut, le cadre se plie automatiquement vers l'arrière. 30 - 1
2. Le loquet de stockage se fixera automatiquement sur le support de stockage, la poussette est alors pliée et verrouillée complètement. 30
3. La poussette peut se tenir droite une fois pliée. 32

Utilisation des accessoires

Les accessoires peuvent être vendus séparément ou ne pas être disponibles selon la région.

Utilisation du dispositif de retenue pour bébé/enfant

voir les images 33 - 39

Reportez-vous aux instructions suivantes pour l'utilisation du dispositif de retenue pour bébé/enfant Joie gemm.

! Avant d'utiliser le dispositif de retenue pour bébé/enfant, veuillez vous assurer que le dossier a été réglé à la position la plus basse et que le dispositif de retenue pour bébé/enfant a été attaché.

! Si vous rencontrez des problèmes concernant l'utilisation du dispositif de retenue pour bébé/enfant, veuillez consulter son manuel d'utilisation.

! Veuillez ne pas plier la poussette lorsque le dispositif de retenue pour bébé/enfant est encore attaché.

Détacher et assembler les parties souples

voir les images 40 - 46

1. Retirez la housse de barre de retenue présentée en 40
2. Ouvrez la fermeture éclair se trouvant sur le panneau arrière de la voilure. 41
! Réglez le dossier à la position la plus basse pour faciliter le retrait des parties souples.
3. Retirez la housse du repose-mollets. 42
4. Ouvrez la boucle se trouvant en bas du siège. 43
5. Appuyez sur le bouton et faites tourner le bloc de support pour faciliter le retrait des parties souples. 44 45
6. Appuyez sur le bouton se trouvant sur le dessous de la poignée, puis tirez les parties souples vers l'arrière pour les retirer. 46

Pour ré-assembler les parties souples du siège, suivez les étapes ci-dessus dans l'ordre inverse 46 - 41

Utilisation avec une nacelle Joie

voir les images 47

Reportez-vous aux instructions suivantes pour l'utilisation de la nacelle Joie ramble.

- ! Si vous rencontrez des problèmes concernant l'utilisation de la nacelle, veuillez consulter son manuel d'utilisation.
- ! Utilisez toujours le matelas avec la nacelle.
- ! Veuillez ne pas plier la poussette lors de la fixation de la nacelle.

Utiliser la housse pour la pluie

voir les images 49

Pour assembler la housse pour la pluie, rangez-la sur la poussette et puis attachez les 8 paires de bandes Velcro sur la housse pour la pluie. 49

- ! Avant d'utiliser la housse pour la pluie, assurez-vous que le dossier a été réglé dans la position la plus basse et que le siège pour l'enfant a été enclenché.
- ! Lorsque vous utilisez la housse pour la pluie, veuillez toujours vérifier sa ventilation.
- ! Lorsque vous n'utilisez pas la housse, vérifiez si la housse pour la pluie a été nettoyée et séchée avant d'être pliée.
- ! Ne pliez pas la poussette après avoir assemblé la housse pour la pluie.
- ! Ne mettez pas l'enfant dans la poussette assemblée avec la housse pour la pluie lors du temps chaud.

Nettoyage et maintenance

voir les images 50

- ! Pour nettoyer le cadre de la poussette, utilisez uniquement du savon ménager avec de l'eau chaude. Il ne faut utiliser aucun agent de blanchiment ni détergent. Veuillez consulter l'étiquette d'entretien pour des instructions sur le nettoyage des pièces en tissu de la poussette.
- ! Vérifiez régulièrement la présence de vis desserrées, de parties usées, de matériaux déchirés ou décousus sur la poussette. Remplacez ou réparez les pièces endommagées si nécessaire. Essuyez de temps à autre les pièces en plastique avec un chiffon doux humide. Séchez toujours les pièces métalliques pour empêcher la formation de rouille si la poussette est entrée en contact avec de l'eau.
- ! L'exposition excessive au soleil ou à la chaleur peut décolorer ou déformer les pièces.
- ! Si la poussette est mouillée, ouvrez la voilure et laissez-la sécher complètement avant de la ranger.
- ! Si les roues grincent, utilisez une huile légère (ex. lubrifiant siliciné, huile antirouille ou huile pour machine à coudre). Il est important que l'huile pénètre dans les moyeux des roues. 50
- ! Après utilisation de la poussette à la plage ou dans un autre environnement avec du sable ou de la poussière, nettoyez-la en enlevant complètement le sable et l'eau salée des mécanismes et des roues.

Wir begrüßen Sie als ein weiteres Mitglied der Joie-Familie! Wir freuen uns, Ihr kleines Kind auf Reisen zu begleiten. Beim Reisen mit dem Joie Mytrax™ nutzen Sie einen erstklassigen, umfassend zertifizierten Kinderwagen, der gemäß dem europäischen Sicherheitsstandard EN 1888:2012 zugelassen ist. Dieses Produkt eignet sich für Kinder mit einem Gewicht von unter 15 kg. Lesen Sie diese Anleitung sorgfältig durch und beachten Sie die einzelnen Schritte zur Gewährleistung einer komfortablen Fahrt und optimalen Sicherheit für Ihr Kind.

WICHTIG - Bewahren Sie diese Anleitung für eine spätere Bezugnahme auf.

Besuchen Sie uns unter joiebaby.com, um Anleitungen herunterzuladen und sich weitere aufregende Joie-Produkte anzuschauen!

Besuchen Sie unsere Website joiebaby.com, um mehr über unsere Gewährleistungsbedingungen zu erfahren.

Inhalt

Abbildungen	1-10
WARNHINWEISE	29
Kinderwagen montieren	31
Kinderwagen aufklappen	31
Vorderrad montieren und demontieren	31
Hinterrad montieren und demontieren	31
ArMLEHNE montieren und demontieren	31
Verdeck montieren	31
Getränkhalter montage und demontage	31
Kinderwagen bedienen	31
Rückenlehne anpassen	32
Schnalle verwenden	32
Schulter- und Taillengurte anlegen	32
Wadenstütze einstellen	32
Vordere Lenksperre verwenden	32
Bremse verwenden	33
Verdeck verwenden	33
Griff anpassen	33
Abdeckungen für Schulter- und Schrittgurt verwenden	33
Kinderwagen zusammenklappen	33
Zubehör verwenden	33
Textilteile entfernen und anbringen	34
Pflege und Wartung	34

Notfall

Bei einem Notfall oder Unfall muss Ihr Kind unverzüglich erste Hilfe bekommen und medizinisch versorgt werden.

Produktdaten

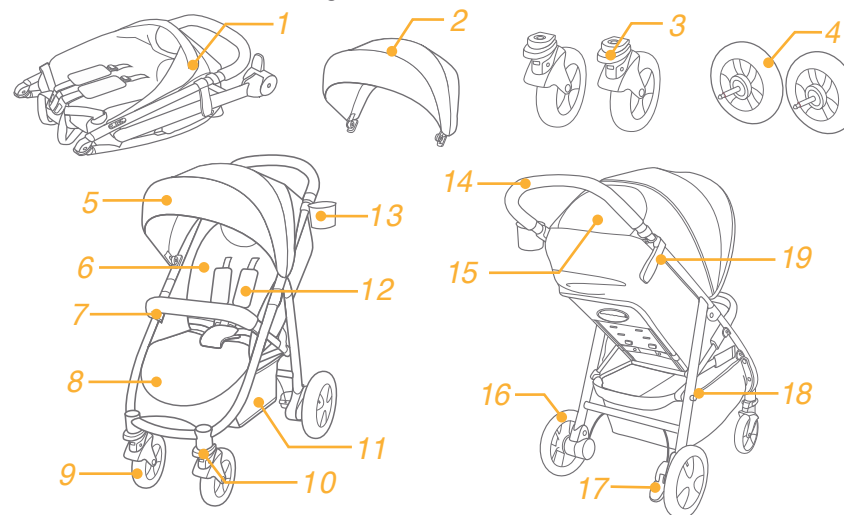
Lesen Sie alle Hinweise in dieser Anleitung, bevor Sie dieses Produkt einsetzen. Bei weiteren Fragen wenden Sie sich an Ihren Händler. Einige Bestandteile können je nach Modell variieren.

Produkt	Kinderwagen Mytrax
Geeignet für	Kinder mit einem Gewicht unter 15 kg (Geburt - 36 Monate)
Materialien	Kunststoff, Metall, Stoffe
Patentnr.	Patente angemeldet
Hergestellt in	China
Markenname	Joie
Website	www.joiebaby.com
Hersteller	Joie Childrens Products (UK) Limited

Teileliste

Stellen Sie vor der Montage sicher, dass alle Teile vorhanden sind. Falls etwas fehlen sollte, wenden Sie sich an Ihren Händler vor Ort. Für die Montage werden keine Werkzeuge benötigt.

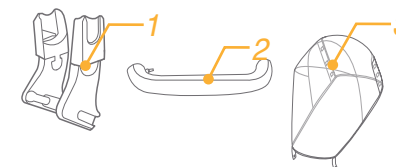
- | | | | |
|--------------|-----------------|-------------------|---------------------|
| 1 Gestell | 7 ArMLEHNE | 13 Getränkhalter | gshalterung |
| 2 Verdeck | 8 Wadenstütze | 14 Griff | 19 Verriegelung für |
| 3 Vorderrad | 9 Vorderrad | 15 Verdeckfenster | Ablagekorb |
| 4 Hinterrad | 10 Lenksperre | 16 Hinterrad | |
| 5 Verdeck | 11 Ablagekorb | 17 Bremshebel | |
| 6 Sitzkissen | 12 Schultergurt | 18 Aufbewahrung | |



Zubehör

(im Kauf eventuell nicht enthalten)

- 1 Adapter (bei bestimmten Modellen)
- 2 Abdeckung der ArMLEHNE (bei bestimmten Modellen)
- 3 Regenschutz (bei bestimmten Modellen)



Zubehör wird möglicherweise separat verkauft oder ist je nach Region nicht verfügbar.

WARNHINWEISE

- ! WARNUNG Immer das Rückhaltesystem verwenden. Sicherheitsgurte und Rückhaltesystem müssen richtig verwendet werden.
- ! WARNUNG Stellen Sie vor der Benutzung sicher, dass alle Ver- schlussteile verriegelt sind.
- ! WARNUNG Lassen Sie Ihr Kind nicht mit diesem Produkt spielen.
- ! WARNUNG Stellen Sie vor der Benutzung sicher, dass die Haltevorrich- tungen des Kinderrückhaltesystems richtig verriegelt sind.
- ! Das Produkt muss von einem Erwachsenen montiert werden.
- ! Verwenden Sie den Kinderwagen für ein Kind, das weniger als 15 kg wiegt. Der Kinderwagen wird beschädigt, wenn ein Kind nicht gut hin- einpasst.
- ! Um eine gefährliche Instabilität zu vermeiden, beladen Sie den Ablagekorb nicht mit mehr als 4,5 kg.
- ! Die empfohlene Maximalbelastbarkeit des Getränkehalters beträgt 0,5 kg.
- ! Lassen Sie Ihr Kind niemals unbeaufsichtigt zurück. Behalten Sie ein Kind im Kinderwagen stets im Auge.
- ! Legen Sie immer nur jeweils ein Kind in den Kinderwagen. Legen Sie niemals Geldbörsen, Einkaufstaschen, Pakete oder Zubehör auf den Griff oder das Verdeck.
- ! Nicht vom Hersteller zugelassenes Zubehör sollte nicht verwendet werden. Verwenden Sie nur vom Hersteller gelieferte oder empfohlene Ersatzteile.
- ! Durch Überladen, falsches Zusammenklappen oder Verwendung von Teilen anderer Hersteller wird der Kinderwagen u. U. beschädigt, unbr- auchbar oder unsicher. Lesen Sie diese Anleitung sorgfältig durch.
- ! Lesen Sie alle Hinweise in dieser Anleitung, bevor Sie das Produkt verwenden. Bewahren Sie die Anleitung zum späteren Nachschlagen auf. Nichtbeachtung dieser Warnhinweise und Anweisungen könnte zu schweren oder tödlichen Verletzungen führen.
- ! Verwenden Sie stets den Sicherheitsgurt, um Verletzungen durch Her- ausfallen oder Herausrutschen zu vermeiden.
- ! Achten Sie bei Einstellungen am Kinderwagen darauf, dass der Körper Ihres Kindes nicht mit den beweglichen Teilen in Kontakt kommt.
- ! Achten Sie darauf, dass der Kinderwagen vollständig geöffnet oder zusammengeklappt ist, bevor Sie Ihr Kind in die Nähe des Kinderwa- gens lassen.
- ! Das Kind könnte in die Beinöffnungen rutschen und ersticken, wenn der Gurt nicht angelegt ist.
- ! Transportieren Sie den Kinderwagen niemals über Treppenstufen oder Rolltreppen.
- ! Halten Sie den Kinderwagen von heißen/Hitze erzeugenden Gegenstän- den, Flüssigkeiten und Elektrogeräten fern.
- ! Lassen Sie Ihr Kind niemals im Kinderwagen stehen oder mit dem Kopf zur Vorderseite des Kinderwagens gerichtet sitzen.
- ! Stellen Sie den Kinderwagen niemals auf Straßen, an Hanglagen oder in Gefahrenbereichen ab.

- ! Platzieren Sie KEINE Gegenstände mit einem Band oder Faden um den Hals Ihres Kindes, hängen Sie KEINE Bänder oder Fäden an dieses Produkt und bringen Sie KEINE Bänder oder Fäden an Spielzeugen an, damit sich das Kind nicht strangulieren kann.
- ! Jegliche am Griff, an der Rückseite der Rückenlehne oder an den Seiten des Kinderwagens angebrachte Last wirkt sich auf die Stabilität des Kinderwagens aus.
- ! Heben Sie den Kinderwagen NICHT an, wenn sich ein Kind darin befin- det.
- ! Verwenden Sie den Ablagekorb NICHT als Kindersitz.
- ! Der Kinderwagen kann umkippen, wenn Ihr Kind darauf klettert. Heben Sie das Kind stets in den bzw. aus dem Kinderwagen.
- ! Seien Sie beim Auf- und Zusammenklappen des Kinderwagens vorsich- tig, damit Sie sich die Finger nicht einklemmen.
- ! Halten Sie Ihr Kind zur Vermeidung von Verletzungen in sicherem Ab- stand, während Sie dieses Produkt auf- und zusammenklappen.
- ! Zur Gewährleistung der Sicherheit für Ihr Kind achten Sie vor Verwend- ung des Kinderwagens darauf, dass alle Teile sachgemäß montiert und befestigt sind.
- ! Zur Vermeidung einer Strangulation darf sich das Kind nicht an das Ver- deck anlehnen oder damit bedecken.
- ! Ziehen Sie stets die Bremsen an, wenn Sie den Kinderwagen abstellen.
- ! Verwenden Sie Ihren Kinderwagen nicht mehr, wenn er beschädigt oder kaputt ist.
- ! Der Kinderwagen sollte nur mit Schrittgeschwindigkeit geschoben werden. Er ist nicht für den Einsatz beim Joggen geeignet.
- ! Geben Sie zur Vermeidung von Verbrennungen niemals Behälter mit heißen Flüssigkeiten in den Getränkehalter.
- ! Entfernen Sie zur Vermeidung von Erstickungsgefahr den Kunststoff- beutel und sämtliche Verpackungsmaterialien vor dem ersten Einsatz. Halten Sie Kunststoffbeutel und Verpackungsmaterialien von Säuglin- gen und Kindern fern.
- ! Dieses Produkt eignet sich nicht zum Jogging oder Skating.
- ! Neugeborene liegend transportiert werden; kippen Sie dazu die Rückenlehne in die waagrechte Position.
- ! Nutzen Sie die Feststellbremse, wenn Sie das Kind hineinlegen oder herausnehmen.
- ! Auch wenn ein Kind in diesem Wagen gesichert durch Gurte liegen kann, ist er kein Ersatz für ein Bett. Falls Ihr Kind müde ist, sollten Sie es in einen geeigneten Kinderwagen, ein Gitter- bzw. Babybett legen.
- ! Die Babyschale eignet sich nur für Kinder, die nicht selbstständig sitzen, sich drehen und/oder mit Händen und Knien abstützen können. Max- imalgewicht des Kindes: 9 kg.
- ! Verwenden Sie nur die mit der Babyschale gelieferte Matratze; fügen Sie KEINE weitere Matratze hinzu.

Kinderwagen montieren

Lesen Sie alle Hinweise in dieser Anleitung, bevor Sie dieses Produkt montieren und verwenden.

Kinderwagen aufklappen

siehe Abbildungen 1 - 2

Trennen Sie den Aufbewahrungsverschluss von der Aufbewahrungshalterung 1, und ziehen Sie den Griff nach oben 2, ein Klickgeräusch bedeutet, dass der Kinderwagen vollständig geöffnet ist.

! Prüfen Sie vor der weiteren Benutzung, ob der Kinderwagen vollständig verriegelt ist.

Vorderrad montieren und demontieren

siehe Abbildungen 3 - 4

Hinterrad montieren und demontieren

siehe Abbildungen 5 - 8

Armlehne montieren und demontieren

siehe Abbildungen 9 - 10

Verdeck montieren

siehe Abbildungen 11 - 12

Getränkehalter montage und demontage

siehe Abbildungen 13 - 14

Abbildung 15 zeigt den vollständig montierten Kinderwagen.

Kinderwagen bedienen

Rückenlehne anpassen

siehe Abbildungen 16 - 17

Es gibt 4 Neigungswinkel für die Rückenlehne.

Rückenlehne zurückklappen

Drücken Sie zum Neigen der Rückenlehne den Neigungseinstellgriff an der Rückseite des Sitzes und ziehen Sie die Rückenlehne nach unten. 16

Rückenlehne hochklappen

Zum Hochstellen der Rückenlehne drücken Sie sie hoch. 17

! Achten Sie darauf, die Neigung zur Verwendung sachgemäß einzustellen.

Schnalle verwenden

siehe Abbildungen 18 - 19

Schnalle lösen

Drücken Sie auf den Knopf in der Mitte, um die Schnalle zu lösen. 18

Schnalle schließen

Richten Sie die Schnalle des Taillengurtes mit der Schulternschnalle aus 19 - 1 und verriegeln Sie sie in der mittleren Schnalle 19 - 2. Ein Klickgeräusch bedeutet, dass die Schnalle vollständig geschlossen ist. 19 - 3

! Um schwere Verletzungen aufgrund von Herausfallen oder Herausgleiten zu verhindern, legen Sie Ihrem Kind stets die Sicherheitsgurte an.

! Vergewissern Sie sich, dass Ihr Kind rutschfest gehalten wird. Der Abstand zwischen dem Kind und dem Schultergurt sollte etwa die Dicke einer Hand betragen.

! Legen Sie die Schultergurte nicht gekreuzt an. Andernfalls wird Druck auf den Hals des Kindes erzeugt.

Schulter- und Taillengurte anlegen

siehe Abbildungen 20 - 23

! Nachdem Sie Ihr Kind in den Sitz gesetzt haben, prüfen Sie, ob die Schulter- und Taillengurte in der richtigen Höhe verlaufen und lang genug sind, um Ihr Kind vor dem Herausfallen zu schützen.

20 - 1 Schultergurtverankerung A

20 - 2 Schultergurtverankerung B

20 - 3 Schieberegler

Verwenden Sie bei einem größeren Kind die Schultergurtverankerung A und die obersten Schulterschlitz. Bei einem kleineren Kind müssen die Schultergurtverankerung B und die untersten Schulterschlitz verwendet werden.

Zur Verstellung der Position der Schultergurtverankerung drehen Sie die Verankerung so, dass sie mit der nach vorne weisenden Seite auf einer Ebene liegt. Führen Sie sie von hinten nach vorne durch den Schultergurtschlitz. 21 Führen Sie sie erneut durch den Schlitz, welcher der Schulterhöhe des Kindes am nächsten liegt. 22

Ändern Sie die Gurtlänge mit dem Schieberegler. 23 - 1

Drücken Sie auf den Knopf 23 - 2, während Sie den Taillengurt auf die richtige Länge ziehen. 23 - 3

Wadenstütze einstellen

siehe Abbildungen 24

Es gibt zwei Positionen für die Wadenstütze.

Drücken Sie die Wadenstütze zum Anheben nach oben. Ein Klickgeräusch zeigt an, dass die Wagenstütze eingerastet ist.

Zum Absenken der Wadenstütze betätigen Sie die Verstellknöpfe an beiden Seiten der Wadenstütze 24 - 1 und drehen die Wadenstütze nach unten. 24 - 2

Vordere Lenksperre verwenden

siehe Abbildungen 25

Drücken Sie die vorderen Lenksperren hoch, um die Bewegungsrichtung beizubehalten. 25

Tipp Die Lenkstopp empfehlen sich auf unebenem Untergrund.

Bremse verwenden siehe Abbildungen 26 - 27

Zur Arretierung der Räder drücken Sie den Bremshebel mit dem Fuß nach unten. 26

Lösen Sie die Sperrung durch Ziehen des Bremshebels nach oben. 27

Tipp Ziehen Sie immer die Parkbremse an, wenn der Kinderwagen nicht geschoben wird.

Verdeck verwenden siehe Abbildungen 28

Das Verdeck kann durch Ziehen nach vorne oder hinten geöffnet oder zusammengeklappt werden.

Das Verdeck kann zum Schutz Ihres Kindes vor der Sonne vollständig geöffnet werden. Öffnen Sie dazu einfach den Reißverschluss 28 und ziehen Sie das Verdeck nach vorne.

Im Verdeck befindet sich ein Fenster, durch das Sie Ihr Baby beobachten können.

Griff anpassen siehe Abbildungen 29

Abdeckungen für Schulter- und Schrittgurt verwenden

Die Abdeckung des Schulter- oder Schrittgurtes lässt sich vom Gurtband abnehmen. Befolgen Sie die Schritte zum Anbringen der Abdeckung des Schulter- oder Schrittgurtes in umgekehrter Reihenfolge.

Kinderwagen zusammenklappen siehe Abbildungen 30 - 32

! Klappen Sie das Verdeck zusammen, bevor Sie den Kinderwagen zusammenklappen.

1. Ziehen Sie den Falzgurt nach oben, dann klappt sich das Gestell automatisch nach hinten. 30 - 1
2. Der Aufbewahrungsverschluss rastet automatisch in der Aufbewahrungshalterung ein, danach wird der Kinderwagen komplett zusammengeklappt und verriegelt. 31
3. Der Kinderwagen kann zusammengeklappt stehen. 32

Zubehör verwenden

Zubehör wird möglicherweise separat verkauft oder ist je nach Region nicht verfügbar.

Mit Kinderrückhaltevorrichtung verwenden siehe Abbildungen 33 - 39

Beachten Sie bei Verwendung mit der Joie-Kinderrückhaltevorrichtung gemü die folgenden Anweisungen.

- ! Bitte stellen Sie vor Verwendung des Kinderrückhaltesystems sicher, dass die Rückenlehne auf die niedrigste Position eingestellt und das Kinderrückhaltesystem befestigt wurde.
- ! Falls Probleme bei der Verwendung des Kinderrückhaltesystems auftreten, beachten Sie bitte die zugehörige Bedienungsanleitung.
- ! Bitte klappen Sie den Kinderwagen nicht zusammen, während das Kinderrückhaltesystem angebracht ist.

Textilteile entfernen und anbringen siehe Abbildungen 40 - 46

1. Entfernen Sie die Abdeckung der Armlehne wie abgebildet 40

2. Öffnen Sie den Reißverschluss an der Rückblende des Verdecks. 41

! Passen Sie die Rückenlehne zum Entfernen der Textilteile auf die niedrigste Position an.

3. Entfernen Sie die Abdeckung der Wadenstütze. 42
 4. Öffnen Sie die Schnalle an der Unterseite des Sitzes. 43
 5. rücken Sie den Knopf und drehen Sie den Stützenblock so, dass sich die Textilteile bequem entfernen lassen. 44 45
 6. Drücken Sie den Knopf an der Unterseite des Griffs, ziehen Sie die Textilteile dann nach hinten ab. 46
- Befolgen Sie die obigen Schritte zum Wiederanbringen der Sitztextilteile in umgekehrter Reihenfolge 46 - 41

Mit Joie-Babyschale verwenden siehe Abbildungen 47

Bitte beachten Sie beim Einsatz mit der Joie-Babyschale ramble die nachstehenden Anweisungen.

- ! Falls Probleme bei der Verwendung der Babyschale auftreten, beachten Sie bitte die zugehörige Bedienungsanleitung.
- ! Verwenden Sie die Babyschale niemals ohne Matratze.
- ! Bitte klappen Sie den Kinderwagen nicht zusammen, wenn die Babyschale angebracht ist.

Regenschutz verwenden siehe Abbildungen 48

Um den Regenmantel aufzustellen, legen Sie es über den Kinderwagen und danach stellen Sie 8 Paaren von Befestigungshaken und -Ringen und 2 Paaren von Kapseln auf den Regenmantel. 48

- ! Vor dem Regenmantel zu verwenden, stellen Sie sich sicher, dass es in der niedrigsten Position geregelt wurde und den Kindersitz befestigt wurde.
- ! Prüfen Sie die Belüftung bei Verwendung des Regenmantels.
- ! Wenn Sie den Regenmantel nicht verwenden, prüfen Sie ob den Regenmantel vor der Faltung geputzt oder getrocknet wurde.
- ! Wenn den Regenmantel auf dem Kinderwagen steht, beseitigen Sie es, um Rissen oder Beschädigungen zu verhindern.
- ! Falten Sie den Kinderwagen nach Zusammenbau des Regenmantels nicht.
- ! Setzen Sie das Kind in dem Kinderwagen mit dem zusammengebauten Regenmantel nicht, wenn es warmes Wetter gibt.

Reinigung und Pflege siehe Abbildungen 50

- ! Reinigen Sie das Kinderwagengestell nur mit handelsüblicher Seife und warmem Wasser. Nicht bleichen oder mit Reinigungsmitteln säubern. Bitte beachten Sie das Pflegeetikett zur Reinigung der Textilteile des Kinderwagens.
- ! Untersuchen Sie Ihren Kinderwagen gelegentlich auf lockere Schrauben, abgenutzte Teile, verschlissene Materialien oder aufgerissene Nähte. Ersetzen oder reparieren Sie die Teile, falls erforderlich. Wischen Sie die Kunststoffteile regelmäßig mit einem weichen, angefeuchteten Tuch ab. Trocknen Sie die Metallteile bei Kontakt mit Wasser immer ab, damit sich kein Rost bildet.
- ! Bei übermäßiger Sonnenbestrahlung oder Hitzeeinwirkung können Teile verblassen oder sich verformen.
- ! Ist der Kinderwagen nass geworden, öffnen Sie das Verdeck und lassen Sie ihn komplett trocken werden, bevor Sie ihn verstauen.
- ! Bei quietschenden Rädern tragen Sie ein leichtes Öl auf (z. B. Silikonspray, Rostschutzöl oder Nähmaschinenöl). Dabei ist wichtig, dass das Öl in die Achse und die Räderpartie gelangt. 50
- ! Gehen Sie mit Ihrem Kinderwagen am Strand oder an anderen sandigen/staubigen Orten spazieren, müssen Sie ihn hiernach komplett reinigen, um Sand und Salz aus der Mechanik und den Radverbindungen zu entfernen.

¡Enhorabuena por unirse a la familia Joie! Estamos encantados de formar parte de su viaje y del de su pequeño. Cuando pasee con el cochecito Mytrax™ de Joie, estará utilizando un cochecito de alta calidad, totalmente certificado y aprobado por la norma de seguridad europea EN 1888:2012. Este producto está diseñado para que lo utilicen niños con un peso inferior a 15 kg. Lea detenidamente este manual y siga cada paso para garantizar que su bebé viaje cómodamente y esté protegido de la mejor manera posible.

IMPORTANTE: guarde estas instrucciones para futuras consultas.

¡Visítenos en joiebaby.com para descargar manuales y conocer otros fantásticos productos de Joie!

Para información sobre la garantía, por favor visite nuestra web joiebaby.com

Índice

Figuras	1-10
ADVERTENCIA	37
Montaje del cochecito	39
Abrir el cochecito	39
Montaje y desmontaje de la rueda delantera	39
Montaje y desmontaje de la rueda trasera	39
Montaje y desmontaje del reposabrazos	39
Montaje de la capota	39
Montaje y desmontaje del sujetavaso	39
Funcionamiento del cochecito	39
Ajuste del respaldo	39
Uso de la hebilla	40
Uso de los arneses de los hombros y la cintura	40
Ajuste del soporte para los gemelos	40
Uso del bloqueo de las ruedas giratorias delanteras	40
Uso del freno	41
Uso de la capota	41
Ajuste del manillar	41
Uso del protector del arnés para los hombros y del arnés de la pelvis	41
Plegado del cochecito	41
Uso de los accesorios	42
Desmontaje y montaje del acolchado	42
Limpieza y mantenimiento	42

Emergencia

En caso de emergencia o accidente, es muy importante que su bebé reciba primeros auxilios y tratamiento médico de inmediato.

Información del producto

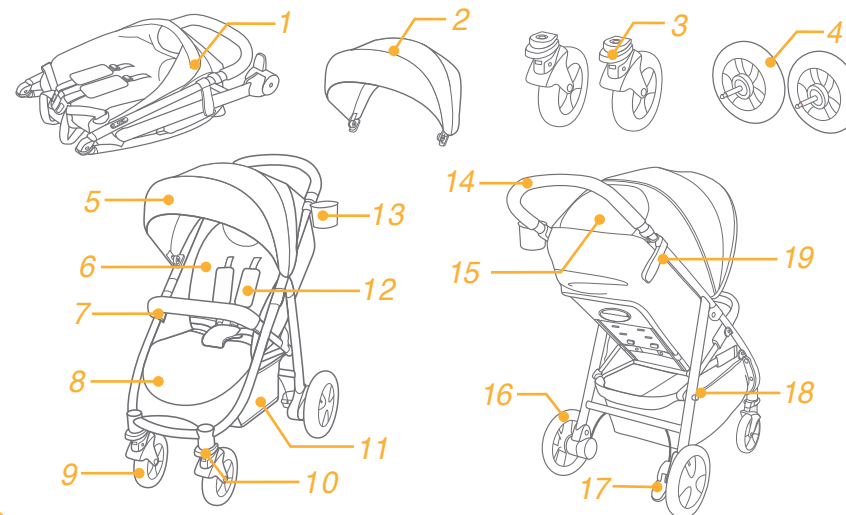
Lea todas las instrucciones incluidas en este manual antes de utilizar este producto. Si tiene alguna duda, póngase en contacto con su proveedor. Algunas características pueden variar según el modelo.

Producto	Cochecito Mytrax
Apto para	bebés con un peso inferior a 15kg (de 0 a 36 meses)
Materiales	Plástico, metal, tela
Patente n.º	Pendiente de patente
Fabricado en	China
Nombre de la marca	Joie
Sitio Web	www.joiebaby.com
Fabricante	Joie Children's Products (Reino Unido) Limited

Lista de piezas

Asegúrese de que están disponibles todas las piezas antes de montar el producto. Si falta alguna pieza, póngase en contacto con su proveedor local. No se necesita ninguna herramienta para el montaje.

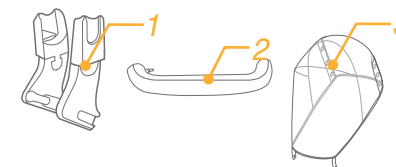
- | | | | |
|--------------------------|-------------------------------------|-------------------------|------------------------------|
| 1 Manillar del cochecito | 7 Reposabrazos | 12 Arnés de los hombros | 18 Soporte de almacenamiento |
| 2 Capota | 8 Soporte para los gemelos | 13 Sujetavaso | 19 Bloqueo de almacenamiento |
| 3 Rueda delantera | 9 Rueda delantera | 14 Manillar | |
| 4 Rueda trasera | 10 Bloqueo de las ruedas giratorias | 15 Ventana de la capota | |
| 5 Capota | 11 Cesta de almacenamiento | 16 Rueda trasera | |
| 6 Acolchado del asiento | | 17 Palanca del freno | |



Accesorios

(es posible que no estén incluidos)

- 1 Adaptador (en algunos modelos)
- 2 Funda del reposabrazos (en algunos modelos)
- 3 Cubre lluvia (en algunos modelos)



Es posible que los accesorios se vendan por separado o no estén disponibles, dependiendo de la región.

ADVERTENCIA

- ! ADVERTENCIA: utilice siempre el sistema de sujeción. Los cinturones de seguridad y los sistemas de sujeción se deben utilizar correctamente.
- ! ADVERTENCIA: asegúrese de que todos los dispositivos de bloqueo están fijados correctamente antes de utilizar el producto.
- ! ADVERTENCIA: no deje que su hijo juegue con este producto.
- ! ADVERTENCIA: asegúrese de que las fijaciones del dispositivo de sujeción para niños estén bien sujetas antes de utilizarlo.
- ! El montaje solo podrá ser realizado por personas adultas.
- ! Este cochecito está diseñado para niños con un peso inferior a 15 kg. Si lo utiliza un niño con un peso superior, podrían producirse daños en el cochecito.
- ! Para evitar riesgos y la inestabilidad del producto, no deberá colocar objetos que sumen en total un peso superior a 4,5 kg en la cesta de almacenamiento.
- ! El peso máximo recomendado para el sujetavaso es de 0,5 kg.
- ! Nunca deje al bebé desatendido. Vigílelo en todo momento mientras esté montado en el cochecito.
- ! No utilice el cochecito para transportar a más de un niño a la vez. Nunca coloque bolsos, bolsas de la compra, paquetes ni ningún otro objeto en el manillar ni en la capota.
- ! No utilice accesorios que no estén aprobados por el fabricante. Utilice únicamente las piezas de recambio proporcionadas o recomendadas por el fabricante.
- ! Si lo sobrecarga, lo pliega incorrectamente o lo utiliza con piezas de otros fabricantes, el cochecito podría sufrir daños, romperse o dejar de ser seguro. Lea el manual de instrucciones detenidamente.
- ! Lea todas las instrucciones incluidas en el manual antes de utilizar el producto. Guarde este manual de instrucciones para futuras consultas. Si no sigue estas advertencias e instrucciones, podrían producirse graves lesiones o, incluso, la muerte.
- ! Para evitar lesiones graves como consecuencia de caídas o resbalones, mantenga al niño sujeto con el cinturón del asiento en todo momento.
- ! Cuando ajuste el cochecito, asegúrese de que no haya ninguna parte del cuerpo del niño en contacto con las partes móviles.
- ! Asegúrese de que el cochecito está totalmente abierto o plegado antes de permitir que el niño se acerque a él.
- ! El niño podría resbalarse por las aberturas para las piernas y estrangularse si no está sujeto con el arnés.
- ! Nunca utilice el cochecito en escaleras mecánicas o convencionales.
- ! Manténgalo alejado de objetos a altas temperaturas, líquidos y aparatos electrónicos.
- ! Nunca deje que su hijo se ponga de pie sobre el cochecito ni se siente en él con la cabeza orientada hacia adelante del cochecito.
- ! Nunca coloque el cochecito en carreteras, cuestas o zonas peligrosas.

- ! Para evitar el riesgo de estrangulamiento, NO coloque objetos con cordones alrededor del cuello del niño, no deje que cuelguen cordones de este producto ni ate los cordones a ningún juguete.
- ! Si cuelga algún objeto del manillar, de la parte trasera del respaldo o de los laterales del cochecito, la estabilidad del cochecito se verá afectada.
- ! NO levante el cochecito mientras el niño esté montado en él.
- ! NO utilice la cesta de almacenamiento como portabebés.
- ! Para evitar que pueda volcar, nunca permita que el niño trepe por el cochecito. Siempre suba y baje al niño del cochecito.
- ! Tenga cuidado de no pillarse los dedos cuando pliegue y despliegue el cochecito.
- ! Para evitar lesiones, asegúrese de que su hijo está alejado del producto cuando lo pliegue y lo despliegue.
- ! Para garantizar la seguridad del niño, asegúrese de que todas las piezas están montadas y bien sujetas antes de utilizar el cochecito.
- ! Para evitar el riesgo de estrangulamiento, asegúrese de que su hijo se mantiene alejado de la capota.
- ! Accione siempre los frenos cuando aparque el cochecito.
- ! Deje de utilizar el cochecito si presenta daños o roturas.
- ! El cochecito solo se debe utilizar a una velocidad de paseo. Este producto no es adecuado para utilizarlo mientras se corre.
- ! Para evitar quemaduras, nunca coloque líquidos calientes en el sujetavaso.
- ! Para evitar el riesgo de asfixia, retire la bolsa de plástico y los materiales de embalaje antes de utilizar este producto. A continuación, deberá mantener la bolsa de plástico y los materiales de embalaje fuera del alcance de bebés y niños.
- ! Este producto no es adecuado para correr ni patinar.
- ! En el caso de los recién nacidos, le recomendamos que el asiento diseñado para utilizarse desde el nacimiento lo coloque en la posición lo más reclinada posible.
- ! El dispositivo de estacionamiento deberá estar accionado cuando coloque y retire al niño.
- ! En los dispositivos de sujeción para niños que se utilicen con un chasis, este vehículo no sustituye a una cuna ni una cama. Si su hijo necesita dormir, deberá colocarlo sobre una cuna, una cama o un capazo adecuado.
- ! El capazo es adecuado únicamente para un bebé que no pueda sentarse sin ayuda, girarse o levantarse sobre sus manos y/o rodillas. El peso máximo del bebé no debe exceder los 9 Kg.
- ! No use o añada otro colchón diferente al que se proporciona con el capazo.

Montaje del cochecito

Lea todas las instrucciones incluidas en este manual antes de montar y utilizar este producto.

Abrir el cochecito

Consulte las imágenes 1 - 2

Separe el bloqueo de almacenamiento del soporte de almacenamiento 1 y, a continuación, levante el manillar hacia arriba 2; escuchará el sonido de un clic cuando el cochecito esté completamente abierto.

! Asegúrese de que el cochecito está completamente bloqueado antes de continuar utilizándolo.

Montaje y desmontaje de la rueda delantera

Consulte las imágenes 3 - 4

Montaje y desmontaje de la rueda trasera

Consulte las imágenes 5 - 8

Montaje y desmontaje del reposabrazos

Consulte las imágenes 9 - 10

Montaje de la capota

Consulte las imágenes 11 - 12

Montaje y desmontaje del sujetavaso

Consulte las imágenes 13 - 14

El cochecito montado completamente aparece en la figura 15.

Funcionamiento del cochecito

Ajuste del respaldo

Consulte las imágenes 16 - 17

El respaldo puede colocarse en 4 ángulos de inclinación.

Reclinar el respaldo

Para reclinar el respaldo, presione el asa de inclinación de la parte posterior del asiento y empuje el respaldo hacia abajo. 16

Subir el respaldo

Para subir el respaldo, levántelo. 17

! Asegúrese de que ajusta la inclinación de forma adecuada para su uso.

Uso de la hebilla

Consulte las imágenes 18 - 19

Desbloquear la hebilla

Pulse el botón central para desbloquear la hebilla. 18

Bloquear la hebilla

Alinee la hebilla del cinturón de la cintura con la hebilla de las correas de los hombros 19 - 1 y encájelas en la hebilla central hasta que escuche un clic. 19 - 2. El sonido de un "clic" le indicará que la hebilla está bloqueada completamente. 19 - 3

! Con el fin de evitar lesiones graves como consecuencia de caídas o resbalones, mantenga al niño sujeto con el arnés en todo momento.

! Asegúrese de que su hijo quede cómodamente sujeto. Cerciórese de que el espacio entre el niño y el arnés de los hombros sea el del grosor de una mano más o menos.

! No cruce los cinturones de los hombros. Si lo hace, podría presionar el cuello del niño.

Uso de los arneses de los hombros y la cintura

Consulte las imágenes 20 - 23

! Con el fin de proteger al niño contra caídas, después de colocarlo en el asiento, compruebe si la altura y el largo de los arneses de los hombros y la cintura son los adecuados.

20 - 1 Gancho A del arnés de los hombros

20 - 2 Gancho B del arnés de los hombros

20 - 3 Ajuste deslizante

Para los niños más altos, utilice el gancho A del arnés de los hombros y las ranuras de los hombros más altas. Para los niños más pequeños, utilice el gancho B del arnés de los hombros y las ranuras de los hombros más bajas.

Para ajustar la posición del gancho del arnés de los hombros, gire el gancho para alinearlos con la parte que está orientada hacia adelante. Enhébrelo por la ranura del arnés de los hombros desde atrás hacia adelante.

21 Vuelva a enhebrarlo por la ranura que esté más cerca de la altura de los hombros del niño. 22

Utilice el ajuste deslizante para cambiar la longitud del arnés. 23 - 1

Pulse el botón 23 - 2 y tire al mismo tiempo del arnés de la cintura hasta que la longitud sea la adecuada. 23 - 3

Ajuste del soporte para los gemelos

Consulte las imágenes 24

Se puede colocar el soporte para los gemelos en 2 posiciones distintas.

Para elevar el soporte para los gemelos, tire de él hacia arriba. Cuando oiga un "clic" significará que el soporte para los gemelos está bloqueado completamente.

Para bajar el soporte para los gemelos, pulse los botones de ajuste ubicados a ambos lados del soporte para los gemelos 24 - 1 y gire el soporte para los gemelos hacia abajo. 24 - 2

Uso del bloqueo de las ruedas giratorias delanteras

Consulte las imágenes 25

Tire hacia arriba de los bloqueos de las ruedas giratorias delanteras para mantener la dirección del movimiento. 25

Consejo se recomienda utilizar los bloqueos de las ruedas giratorias sobre las superficies irregulares.

Uso del freno

Consulte las imágenes 26 - 27

Para bloquear las ruedas, pise sobre la palanca del freno empujándola hacia abajo. 26

Para desbloquear las ruedas, simplemente levante la palanca del freno hacia arriba. 27

Consejo ponga siempre el freno de estacionamiento cuando el cochecito no se esté moviendo.

Uso de la capota

Consulte las imágenes 28

La capota puede abrirse o plegarse tirando de ella hacia delante o hacia atrás.

La capota se puede abrir completamente para proteger al niño del sol lo máximo posible. Basta con abrir la cremallera 28 y tirar de la capota hacia delante.

La capota incorpora una ventana a través de la cual puede ver a su bebé.

Ajuste del manillar

Consulte las imágenes 29

Uso del protector del arnés para los hombros y del arnés de la pelvis

La funda del arnés de los hombros o del arnés de la pelvis puede extraerse desde la cincha. Para montar la funda del arnés de los hombros o del arnés de la pelvis, siga los mismos pasos a la inversa.

Plegado del cochecito

Consulte las imágenes 30 - 32

! Pliegue la capota antes de plegar el cochecito.

1. Tire de la cincha de pliegue hacia arriba y el armazón se plegará automáticamente hacia atrás. 30 - 1

2. El bloqueo de almacenamiento quedará sujeto automáticamente en el soporte de almacenamiento y el cochecito quedará completamente plegado y bloqueado. 31

3. El cochecito puede ponerse de pie una vez plegado. 32

Uso de los accesorios

Es posible que los accesorios se vendan por separado o no estén disponibles, dependiendo de la región.

Uso con el dispositivo de sujeción para niños

Consulte las imágenes 33 - 39

Cuando lo utilice con el dispositivo de sujeción para niños Gemm de Joie, consulte las siguientes instrucciones:

! Antes de utilizar el dispositivo de sujeción para niños, asegúrese de ajustar el respaldo a la posición más baja y de fijar el dispositivo de sujeción para niños.

! Si experimenta algún problema al utilizar el dispositivo de sujeción para niños, consulte sus propios manuales de instrucciones.

! No pliegue el cochecito con el dispositivo de sujeción para niños instalado.

Desmontaje y montaje del acolchado

Consulte las imágenes 40 - 46

1. Quite la funda del reposabrazos como se muestra en la ilustración 40

2. Abra la cremallera de la parte posterior de la capota. 41

! Ajuste el respaldo a la posición más baja para poder retirar cómodamente el acolchado.

3. Retire la funda del soporte de los gemelos. 42

4. Abra la hebilla de la parte inferior del asiento. 43

5. Presione el botón y gire el bloque de soporte para retirar cómodamente el acolchado. 44 45

6. Presione el botón de la parte inferior del manillar y tire del acolchado hacia atrás para retirarlo. 46

Para volver a instalar el acolchado del asiento, siga los pasos anteriores en orden inverso 46 - 41

Uso con el capazo Joie

consulte las imágenes 47

Cuando se utilice con el capazo Joie Ramble consulte las siguientes instrucciones.

! Si tiene alguna duda al utilizar el capazo debe consultar el manual de instrucciones del mismo.

! Utilice siempre el capazo con el colchón suministrado.

! Por favor, no pliegue la silla de paseo con el capazo instalado.

UTILICE EL COBERTOR DE LLUVIA

consulte las imágenes 49

Para ensamblar la cubierta contra la lluvia, póngala sobre la carriola y después adjunte 8 parejas de ganchos y anillos de sujeción y 2 parejas de grapas para la cubierta contra la lluvia. 49

! Antes de utilizar el protector de lluvia verifique que el respaldo ha sido colocado en su posición más baja y la silla de auto bien ajustada y asegurada

! Cuando utilice el protector de lluvia siempre verifique la ventilación

! Cuando no la utilice verifique que esta completamente seca y limpia

! No pliegue el coche con el protector de lluvia colocado

! No coloque al niño en el coche, con el protector de lluvia cuando sea un día soleado o caluroso.

Limpieza y mantenimiento

Consulte las imágenes 50

! Para limpiar el manillar del cochecito, utilice únicamente jabón para uso doméstico y agua tibia. No utilice lejía ni detergente. Consulte la etiqueta de cuidados para ver las instrucciones acerca de la limpieza de las partes de tela del cochecito.

! Examine periódicamente su cochecito por si tuviera tornillos sueltos, piezas desgastadas, materiales dañados o descosidos. Sustituya o repare las piezas que lo requieran. Limpie periódicamente las partes de plástico con un paño suave y húmedo. Seque siempre las partes metálicas para evitar que se oxiden si el cochecito ha estado en contacto con el agua.

! Una exposición excesiva al sol o al calor podría decolorar o deformar las piezas.

! Si se moja el cochecito, abra la capota y deje que se seque completamente antes de guardarlo.

! Si chirrían las ruedas, utilice un aceite suave (por ejemplo: espray de silicona, aceite antioxidante o aceite para máquinas de coser). Es importante que el aceite llegue al ensamblaje de las ruedas y el eje. 50

! Cuando utilice su cochecito en la playa o en otros entornos con arena o polvo, límpielo completamente después de usarlo para eliminar cualquier resto de arena y sal que haya podido quedar en los ensamblajes de las ruedas y los mecanismos.

PT Bem-vindo à Joie™

Parabéns por fazer parte da família Joie! É um prazer fazer parte da sua viagem com seu filho. Enquanto estiver usando o Joie Mytrax™, você estará usando um carrinho de bebê de alta qualidade, totalmente certificado, aprovado com os padrões europeus de segurança EN 1888:2012. Este produto é adequado para uso com crianças com peso inferior a 15kg. Leia atentamente este manual e siga cada passo para uma viagem confortável e a melhor proteção para o seu filho.

IMPORTANTE - Mantenha estas instruções para uma consulta futura.

Visite-nos em joiebaby.com para baixar manuais e ver mais emocionantes produtos Joie!

Para informações de garantia, visite nosso website em joiebaby.com

Índice

Figuras	1-10
ADVERTÊNCIA	45
Montagem do Carrinho de Bebê	47
Abrir o carrinho de bebê	47
Montar e soltar as rodas dianteiras	47
Montar e soltar as rodas traseiras	47
Montar e soltar a barra de braço	47
Montar a capota	47
Montagem e desmontagem o porta copo	47
Operação do Carrinho de Bebê	47
Ajuste do encosto	47
Usar a fivela	48
Usar cinto de ombro e cintura	48
Ajustar o suporte da panturrilha	48
Usar a trava articulada frontal	48
Usar o freio	49
Usar a capota	49
Ajuste da alça	49
Use a capa de cinto de ombro e capa de cinto de virilha	49
Dobrar o carrinho de bebê	49
Usar acessórios	49
Separar e montar as partes macias	50
Limpeza e Manutenção	50

Emergência

Em caso de emergência ou acidentes, é mais importante fornecer ao seu filho imediatamente os primeiros socorros e o tratamento médico.

Informações do Produto

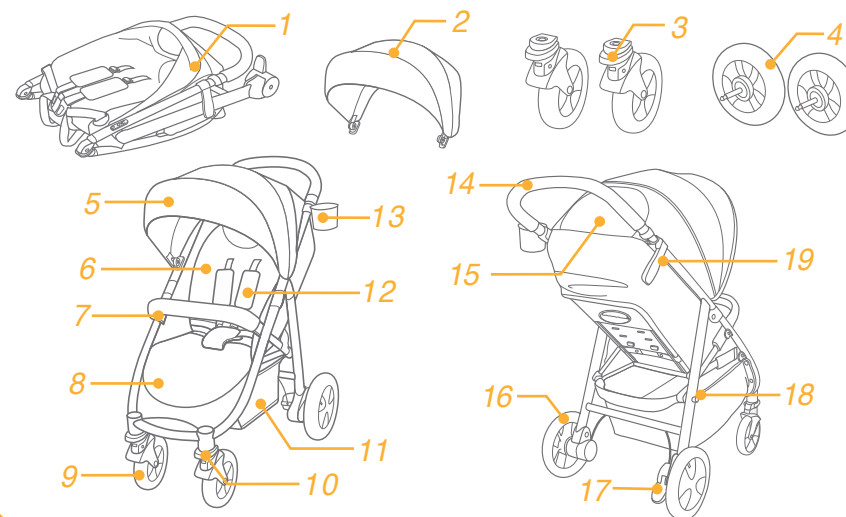
Leia todas as instruções deste manual antes de utilizar o produto. Se tiver quaisquer dúvidas, contate o revendedor. Os recursos podem variar dependendo do modelo.

Produto	Carrinho Mytrax
Adequado para	Crianças com peso inferior a 15kg (nascimento - 36 meses).
Materiais	Plásticos, metais, tecidos
Patente nº.	Patente pendente
Fabricado na	China
Nome da marca	Joie
Website	www.joiebaby.com
Fabricante	Joie Childrens Products (UK) Limited

Lista de peças

Certifique-se de que todas as peças estão disponíveis antes da montagem. Se alguma parte estiver faltando, entre em contato com o representante local. Não são necessárias ferramentas para a montagem.

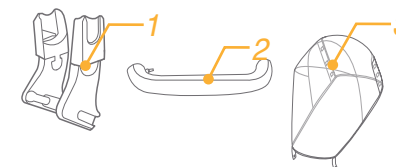
1 Estrutura de carrinho de bebê	7 Barra de braço	12 Cinto de ombros	18 Montagem de armazenamento
2 Capota	8 Suporte de panturrilha	13 Suporte de copo	19 Fecho de armazenamento
3 Roda frontal	9 Roda traseira	14 Alça	
4 Roda traseira	10 Elo giratório	15 Janela do dossel	
5 Capota	11 Cesta para armazenamento	16 Roda traseira	
6 Almofada do assento		17 Alavanca de Freio	



Acessórios

(Podem não estar incluídos)

- 1 Adaptador (em alguns modelos)
- 2 Cobertura da barra de braço (em determinados modelos)
- 3 Capa de chuva (em determinados modelos)



Os acessórios podem ser vendidos separadamente ou podem não estar disponíveis dependendo da região.

ADVERTÊNCIA

- ! ADVERTÊNCIA Sempre use o sistema de retenção. Cintos de segurança e sistemas de retenção devem ser usados corretamente.
- ! ADVERTÊNCIA Certifique-se de que todos os dispositivos de trava estão engatados antes de utilizar.
- ! ADVERTÊNCIA Não deixe seu filho brincar com este produto.
- ! ADVERTÊNCIA Verifique se os dispositivos anexos de retenção infantil estão engatados corretamente antes de utilizar.
- ! É preciso que a montagem seja realizada por um adulto.
- ! Use o carrinho com uma criança com menos de 15kg. Causará danos ao carrinho com uma criança com peso superior.
- ! Para evitar uma condição perigosa, instável, não coloque mais de 4,5 kg no cesto de armazenamento.
- ! O peso máximo recomendado no suporte de copo é 0,5 kg (1 lbs).
- ! Nunca deixe seu filho sozinho. Observe-o sempre enquanto ele estiver no carrinho.
- ! Use o carrinho de bebê com apenas uma criança por vez. Nunca coloque bolsas, sacolas, sacos ou itens de acessórios na alça ou na capota.
- ! Não devem ser utilizados acessórios não aprovados pelo fabricante. Apenas peças de reposição fornecidas ou recomendadas pelo fabricante devem ser usadas.
- ! Sobrecarregar, dobrar incorretamente ou usar componentes de outros fabricantes pode causar danos ao carrinho, quebrar ou deixá-lo inseguro. Por favor leia este manual de instruções cuidadosamente.
- ! Leia todas as instruções deste manual antes de utilizar o produto. Guarde este manual de instruções para uso futuro. A não observância dessas instruções pode resultar em ferimento grave ou morte.
- ! Para evitar ferimentos graves devido a queda ou escorregamento, utilize sempre o cinto.
- ! Certifique-se que o corpo do seu filho está livre das partes móveis ao ajustar o carrinho.
- ! Certifique-se que o carrinho está totalmente aberto ou dobrado antes de deixar a criança se aproximar
- ! A criança pode escorregar nas aberturas para perna e ser estrangulada se o cinto não for usado.
- ! Nunca utilize o carrinho de passeio em escadas ou escadas rolantes.
- ! Mantenha longe de objetos de alta temperatura, líquidos e eletrônicos.
- ! Nunca deixe sua criança de pé no carrinho ou sentada no carrinho com a cabeça voltada para frente do carrinho.
- ! Nunca coloque o carrinho em estradas, encostas ou áreas perigosas.

- ! Para evitar estrangulamento, NÃO coloque os itens com uma cinta em torno do pescoço da criança, suspenda as cintas deste produto, ou acople as cintas aos brinquedos.
- ! Qualquer carga pendurada à alça na parte traseira do encosto ou nas laterais do carrinho afetarão a estabilidade do carrinho.
- ! NÃO levante o carrinho enquanto a criança está no carrinho.
- ! NÃO use cesta de armazenamento como transporte para criança.
- ! Para evitar tombamento, nunca deixe a criança subir no carrinho. Levante sempre a criança dentro e fora do carrinho.
- ! Para evitar prender o dedo, tenha cuidado quando dobrar e desdobrar o carrinho.
- ! Para evitar ferimentos, certifique-se de que seu filho é mantido afastado quando desdobrar e dobrar este produto.
- ! Para garantir a segurança da criança, certifique-se que todas as partes estão montadas e fixadas corretamente antes de utilizar o carrinho de passeio.
- ! Para evitar o estrangulamento, certifique-se de que seu filho está livre da capota.
- ! Sempre acione os freios quando estacionar o carrinho.
- ! Descontinue o uso do carrinho, se ele estiver danificado ou quebrado.
- ! O carrinho de bebê deve ser usado apenas na velocidade de caminhada. Este produto não é para uso em corridas.
- ! Para evitar queimaduras, nunca coloque líquidos quentes no suporte para copos.
- ! Para evitar asfixia, retire o saco de plástico e materiais de embalagem antes de usar este produto. O saco plástico e materiais de embalagem devem, então, ser mantidos afastados de bebês e crianças.
- ! Este produto não é adequado para corrida ou andar de skate.
- ! O carrinho de bebê, concebido para ser usado desde o nascimento, deve recomendar o uso da posição mais reclinada para bebês recém-nascidos.
- ! O dispositivo de estacionamento deve permanecer engatado quando colocar e retirar as crianças.
- ! Para retenção de crianças usado em conjunto com um chassi, este veículo não substitui um berço ou uma cama. Se seu filho precisar dormir, então ele deve ser colocado em um berço ou cama apropriado.
- ! O mosés é adequado só para uma criança que não pode levar-se sem ajuda, rolar-se ou levar-se com a ajuda das mãos ou dos joelhos. O peso máximo da criança: 9 kg
- ! NÃO acrescente ou utilize outro colchão que aquilo fornecido junto com o mosés.

Montagem do Carrinho de Bebê

Leia todas as instruções neste manual antes de montar e usar este produto.

Abrir o carrinho de bebê ver imagens 1 - 2

Trava de armazenamento separada da montagem 1 de armazenamento e, em seguida, levante a alça 2, um som de clique significa que o carrinho está aberto completamente.

! Verifique se o carrinho está completamente travado antes de usar.

Montar e soltar as rodas dianteiras ver imagens 3 - 4

Montar e soltar as rodas traseiras ver imagens 5 - 8

Montar e soltar a barra de braço ver imagens 9 - 10

Montar a capota ver imagens 11 - 12

Montagem e desmontagem o porta copo ver imagens 13 - 14

O carrinho completamente montado é mostrado como na Figura 15.

Operação do Carrinho de Bebê

Ajuste do encosto ver imagens 16 - 17

Existem 4 ângulos de reclinção para o encosto.

Reclinar o encosto

Para reclinar o encosto, aperte a alça de inclinação na parte de trás do assento, puxe para baixo no encosto.

16

Levantar o encosto

Para levantar o encosto, empurre. 17

! Certifique-se que o encosto está colocado corretamente para uso.

Usar a fivela ver imagens 18 - 19

Fivela de liberação

Pressione o botão central para soltar a fivela. 18

Fivela de trava

Combine o fecho do cinto da cintura com o fecho do cinto de ombro 19 - 1 e encaixe no fecho central. 19 - 2. Um som de "clique" significa que a fivela está travada completamente. 19 - 3

! Para evitar ferimentos graves devido a queda ou escorregamento, sempre prenda seu filho no cinto.

! Certifique-se que a criança está confortavelmente segura. O espaço entre a criança e a correia de ombro é de aproximadamente a espessura de uma mão.

! Não cruze os cintos de ombro. Isso fará pressão no pescoço da criança.

Usar cinto de ombro e cintura ver imagens 20 - 23

! Para proteger seu filho de quedas, depois que seu filho for colocado no assento, verifique se os cintos de ombro e cintura estão na altura e comprimento apropriados.

20 - 1 Âncora de cinto de ombro A

20 - 2 Âncora de cinto de ombro B

20 - 3 Ajuste deslizante

Para crianças maiores, use cinto de âncora de cinto de ombro A e as ranhuras de ombro mais altas. Para crianças menores, use cinto de âncora de cinto de ombro B e as ranhuras de ombro mais baixas.

Para ajustar a posição da âncora do cinto de ombro, vire a âncora para ficar nivelada com o lado virado para a frente. Passe-o através da ranhura de cinto de ombro de trás para frente. 21 Passe-o novamente através da ranhura que fica mais próxima da altura do ombro da criança. 22

Use o ajuste deslizante para alterar o comprimento do cinto. 23 - 1

Pressione o botão 23 - 2, ao puxar o cinto de cintura para o comprimento correto. 23 - 3

Ajustar o suporte da panturrilha ver imagens 24

O apoio da perna tem 2 posições.

Para levantar o apoio de perna, empurre-o para cima. Um som de "clique" significa que a panturrilha está travada completamente.

Para baixar o suporte de panturrilha, pressione os botões de ajuste em ambos os lados do suporte de perna 24 - 1 e gire o suporte para baixo. 24 - 2

Usar a trava articulada frontal ver imagens 25

Empurre para cima os bloqueios de giro frontal para manter a direção do movimento. 25

Dica

É recomendável usar bloqueios giratórios em superfícies irregulares.

Usar o freio ver imagens 26 - 27

Para travar as rodas, pise na alavanca do freio para baixo. 26

Para liberar as rodas, basta levantar a alavanca do freio. 27

Dica Sempre acione o freio de estacionamento quando o carrinho de criança não estiver se movendo.

Usar a capota ver imagens 28

A capota pode ser aberta ou dobrada, puxe-a para frente ou para trás.

A capota (dossel) pode ser aberta completamente, para proteger seu filho do sol, basta descompactar o zip 28 e puxar a capota para frente.

Há uma janela na capota, através da qual você pode ver seu bebê.

Ajuste da alça ver imagens 29

Use a capa de cinto de ombro e capa de cinto de virilha

A cobertura ou tampa do cinto da virilha pode ser removida a partir da teia. Para montar a capa do cinto de ombro e capa de cinto de cinto da virilha em passos inversos.

Dobrar o carrinho de bebê ver imagens 30 - 32

! Por favor, dobre a capota antes de dobrar o carrinho.

1. Puxe os cintos dobrando para cima, a estrutura automaticamente irá dobrar para trás. 30 - 1
2. A trava de armazenamento automaticamente prende no suporte de armazenamento e, em seguida, o carrinho é dobrado e fechado completamente. 31
3. O carrinho pode ficar de pé quando dobrado. 32

Usar acessórios

Os acessórios podem ser vendidos separadamente ou podem não estar disponíveis dependendo da região.

Uso com o dispositivo de retenção infantil ver imagens 33 - 39

Ao usar com retenção gemm infantil da Joie, por favor, consulte as instruções a seguir.

- ! Antes de utilizar o dispositivo de retenção infantil, por favor certifique-se que o encosto foi ajustado na posição mais baixa e o dispositivo de retenção infantil foi fixado.
- ! Se você tiver qualquer problema sobre como usar o dispositivo de retenção infantil, consulte por favor seus próprios manuais de instrução.
- ! Por favor, não dobre o carrinho quando o dispositivo de retenção infantil ainda estiver anexado.

Separar e montar as partes macias ver imagens 40 - 46

1. Retire a tampa da trava de braço mostrada como 40
2. Abra o zíper que está no painel traseiro da capota. 41
 - ! Ajuste o encosto na posição mais baixa para ser conveniente remover as partes macias.
3. Remova a capa do suporte de panturrilha. 42
4. Abra a fivela que está embaixo do assento. 43
5. Pressione o botão e gire o bloco de apoio para ser conveniente remover os produtos macios. 44 45
6. Pressione o botão que está na parte inferior da alça e, em seguida, puxe para trás as partes macias para removê-las. 46

Para montar as partes macias do assento, siga as etapas acima, em sentido inverso 46 - 41

Use com moisés do carrinho Joie ver imagens 47

Ao usar com o moisés do carrinho Joie ramble, por favor consulte as instruções a seguir.

- ! Se você tiver qualquer problema sobre como usar o moisés do carrinho, consulte por favor seus próprios manuais de instrução.
- ! Sempre use o colchão quando utilizar o moisés do carrinho.
- ! Por favor não dobre carrinho quando anexar o moisés.

Utilização capa de chuva ver imagens 48

Para montar a capa de chuva, coloque-a sobre o carrinho e fixe os 8 pares de ganchos, laços e de ilhós na capa de chuva. 48

- ! Antes de usar a capa de chuva, certifique-se que o encosto foi ajustado para a posição mais baixa e que o assento de carro foi fixado.
- ! Ao utilizar a capa de chuva, por favor verifique sempre sua ventilação.
- ! Enquanto a capa de chuva não for utilizada, verifique se foi limpa e seca antes de dobramento.
- ! Não dobre o carrinho após o montagem da capa de chuva.
- ! Não coloque sua criança no carrinho com a capa de chuva montada na temporada quente.

Limpeza e Manutenção ver imagens 50

- ! Para limpar a estrutura, use apenas água morna e sabão. Sem alvejante ou detergente. Consulte a etiqueta de cuidados para obter instruções sobre a limpeza das pelotas da tela do carrinho.
- ! De vez em quando, verifique seu carrinho para parafusos soltos, peças desgastadas, rasgadas ou costura. Substitua ou repare as peças como necessário. Periodicamente, limpe as partes de plástico com um pano úmido. Sempre seque as partes metálicas para evitar a formação de ferrugem se o carrinho tiver que entrar em contato com a água.
- ! A exposição excessiva ao sol ou calor pode causar desbotamento ou deformação das peças.
- ! Se carrinho ficar molhado, abra a capota e deixe secar completamente antes de guardar.
- ! Se as rodas estiverem rangendo, use um óleo leve (ex., Spray de silicone, óleo antiferrugem ou óleo de máquina de costura). É importante obter o óleo para o conjunto do eixo e roda. 50
- ! Quando utilizar o carrinho na praia ou outros ambientes com areia/poeira, limpe completamente o seu carrinho após o uso para remover a areia e o sal dos mecanismos e rodas.

Gratulujemy wstąpienia do rodziny Joie! Bardzo cieszymy się na wspólną radość przy wychowywaniu dziecka. Joie Mytrax™ to wózek dziecięcy wysokiej jakości, wyposażony w komplet certyfikatów i zgodny z europejskimi normami bezpieczeństwa EN 1888:2012. Ten produkt jest odpowiedni dla dzieci o wadze poniżej 15 kg. Prosimy o uważne przeczytanie tego podręcznika i wykonanie każdej czynności, aby zapewnić wygodną jazdę i najlepsze zabezpieczenie dziecka.

WAŻNE - Te instrukcje należy zachować do wykorzystania w przyszłości.

Zapraszamy na stronę joiebaby.com w celu pobrania podręczników i sprawdzenia innych atrakcyjnych produktów Joie!

W celu uzyskania informacji o gwarancji odwiedź naszą stronę internetową joiebaby.com

Spis treści

Rysunki	1-10
OSTRZEŻENIE	53
Montaż wózka dziecięcego	55
Rozkładanie wózka dziecięcego	55
Montaż i odłączanie kół przednich	55
Montaż i odłączanie kół tylnych	55
Montaż i odłączanie poprzeczki	55
Montaż daszka	55
Montaż i demontaż na pojemnik z napojem	55
Obsługa wózka dziecięcego	55
Regulacja oparcia na plecy	55
Używanie sprzączki	56
Używanie uprząży na barki i talię	56
Regulacja oparcia łydek	56
Używanie przedniej blokady obrotu	56
Używanie hamulca	57
Używanie daszka	57
Uchwyt regulacji	57
Używanie osłony uprząży na ramiona i osłony uprząży na krocze	57
Składanie wózka dziecięcego	57
Używanie akcesoriów	57
Odłączanie i montaż miękkich elementów	58
Czyszczenie i konserwacja	58

Sytuacje zagrożenia

W sytuacji zagrożenia lub po wypadku najważniejsze jest, aby udzielić dziecku pierwszej pomocy i jak najszybciej oddać je pod opiekę lekarza.

Informacje o produkcie

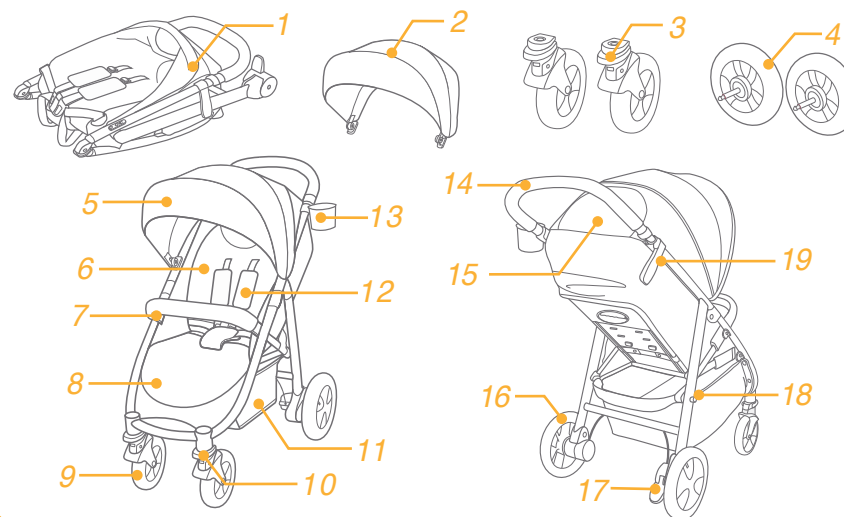
Przed rozpoczęciem używania tego produktu należy przeczytać wszystkie instrukcje z tego podręcznika. W przypadku jakichkolwiek dalszych pytań należy się skontaktować ze sprzedawcą. Niektóre funkcje zależą od modelu.

Produkt	Wózek dziecięcy Mytrax
Odpowiedni dla	Dziecko o wadze poniżej 15 kg (od urodzenia - 36 miesięcy)
Materiały	Tworzywa sztuczne, metal, tkaniny
Nr patentu	Trwa postępowanie patentowe
Wyprodukowano w	Chinach
Nazwa marki	Joie
Strona internetowa	www.joiebaby.com
Producent	Joie Childrens Products (UK) Limited

Lista części

Przed montażem należy się upewnić, że dostępne są wszystkie części. Jeśli którejś z części brakuje, należy się skontaktować z lokalnym sprzedawcą. Do montażu nie są potrzebne żadne narzędzia.

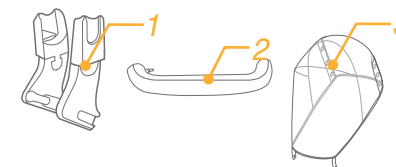
1 Rama wózka dziecięcego	6 Wkładka siedzenia	12 Uprząż na ramiona	17 Dźwignia hamulca
2 Daszek	7 Poprzeczka	13 Uchwyt na pojemnik z napojem	18 Element montażowy kosza
3 Koła przednie	8 Oparcie łydek	14 Uchwyt	19 Zatrask kosza
4 Koła tylne	9 Koła przednie	15 Okno daszka	
5 Daszek	10 Blokady obrotu	16 Koła tylne	
	11 Kosz		



Akcesoria

(Mogą nie być dostarczone)

- 1 Adapter (w niektórych modelach)
- 2 Osłona poprzeczki (w niektórych modelach)
- 3 Osłona przeciwdeszczowa (w niektórych modelach)



Akcesoria mogą być sprzedawane oddzielnie lub, w zależności od regionu, mogą nie być dostępne.

OSTRZEŻENIE

- ! OSTRZEŻENIE Należy zawsze używać systemu przytrzymującego. Pasy bezpieczeństwa i systemy przytrzymujące muszą być używane prawidłowo.
- ! OSTRZEŻENIE Przed użyciem należy się upewnić, że działają wszystkie urządzenia blokujące.
- ! OSTRZEŻENIE Nie należy pozwalać dziecku na zabawę tym produktem.
- ! OSTRZEŻENIE Przed użyciem należy sprawdzić, czy działają prawidłowo urządzenia do montażu systemu przytrzymującego dla niemowląt.
- ! Wymagany jest montaż przez osobę dorosłą.
- ! Wózek dziecięcy może być używany w przypadku dziecka o wadze poniżej 15 kg. Nieodpowiednia waga dziecka może spowodować uszkodzenie wózka.
- ! Aby zapobiec niebezpiecznym sytuacjom i niestabilności, w koszu nie należy umieszczać więcej niż 4,5 kg bagażu.
- ! Maksymalny, zalecany udźwig uchwytu na pojemnik z napojem to 0,5 kg.
- ! Nigdy nie należy zostawiać dziecka bez nadzoru. Dziecko w wózku powinno być zawsze widoczne.
- ! W wózku dziecięcym może znajdować się jednocześnie tylko jedno dziecko. Nigdy nie należy zawieszania torebek, toreb na zakupy, paczek ani akcesoriów na uchwycie lub na daszku.
- ! Nie należy używać akcesoriów niezatwierdzonych przez producenta. Używać należy wyłącznie części zamiennych dostarczonych lub zalecanych przez producenta.
- ! Przeciążenie, nieprawidłowe złożenie lub używanie części składowych od innych producentów może spowodować uszkodzenie wózka dziecięcego, złamanie lub zagrożenie dla bezpieczeństwa. Należy dokładnie przeczytać instrukcję obsługi.
- ! Przed użyciem tego produktu należy przeczytać wszystkie instrukcje z tego podręcznika. Podręcznik należy zachować do przyszłego użycia. Niestosowanie się do tych ostrzeżeń i instrukcji może spowodować poważne obrażenia lub śmierć.
- ! Aby uniknąć poważnych obrażeń w wyniku upadku lub zsunienia, należy używać pasa bezpieczeństwa.
- ! Podczas regulacji wózka dziecięcego należy się upewnić, że dziecko znajduje się z dala od ruchomych części.
- ! Przed dopuszczeniem dziecka w pobliże wózka dziecięcego należy się upewnić, że wózek dziecięcy jest całkowicie otwarty lub złożony.
- ! Jeśli nie będzie używana uprząż, dziecko może ześlizgnąć się do szczebli na nogi i udusić się.
- ! Nigdy nie należy używać wózka dziecięcego na schodach lub w windach.
- ! Należy unikać obiektów o wysokich temperaturach, płynów i elektroniki.
- ! Nigdy nie należy pozwalać dziecku stawać w wózku lub siadać w wózku głową zwróconą w kierunku przodu wózka.
- ! Wózka dziecięcego nigdy nie należy ustawiać na drogach, stokach lub w niebezpiecznych miejscach.
- ! Aby uniknąć uduszenia, NIE wolno umieszczać na szyi dziecka elementów ze sznurkiem, pozostawiać wiszących sznurków na tym produkcie lub wiązać sznurków do zabawek.
- ! Wszelkie obciążenia przymocowane do uchwytu lub do oparcia tylnego albo z boków wózka dziecięcego wpłyną na stabilność wózka.
- ! NIE należy podnosić wózka, gdy znajduje się w nim dziecko.
- ! NIE należy używać kosza do przewożenia dziecka.
- ! Aby zapobiec przewróceniu, nigdy nie należy pozwalać dziecku na wspinanie się po wózku. Należy zawsze samodzielnie wkładać i wyjmować dziecko z wózka.
- ! Aby uniknąć przytraśnięcia palców, podczas składania i rozkładania wózka dziecięcego należy zachować ostrożność.
- ! Aby uniknąć obrażeń, podczas składania i rozkładania tego produktu należy się upewnić, że dziecko znajduje się w bezpiecznej odległości.
- ! Aby zapewnić bezpieczeństwo dziecka, przed użyciem wózka dziecięcego należy się upewnić, że wszystkie części zostały złożone i przymocowane prawidłowo.
- ! Aby uniknąć uduszenia, należy się upewnić, że dziecko znajduje się w bezpiecznej odległości od daszka.
- ! Podczas parkowania wózka dziecięcego należy zawsze uruchamiać hamulce.
- ! Należy zaprzestać używania wózka, jeśli zostanie on uszkodzony lub pęknięty.
- ! Wózek dziecięcy może być używany wyłącznie z prędkością spacerową. Ten produkt nie jest przeznaczony do używania podczas joggingu.
- ! Aby uniknąć poparzeń, nigdy nie należy umieszczać gorących płynów w uchwycie na pojemnik z napojem.
- ! Aby uniknąć uduszenia, przed użyciem tego produktu należy usunąć plastikowy worek i materiały pakujące. Plastikowy worek i materiały pakujące należy trzymać z dala od niemowląt i dzieci.
- ! Ten produkt nie jest odpowiedni do biegania lub jazdy na wrotkach.
- ! Wózek dziecięcy przeznaczony dla dzieci od urodzenia, dla noworodków powinien być używany w najbardziej nachylonej pozycji.
- ! Podczas wkładania i wyjmowania dzieci należy uruchomić urządzenie parkingowe.
- ! Systemy przytrzymujących dla niemowląt, używane w połączeniu z podstawą w pojeździe, nie zastąpią łóżeczka dziecięcego lub łóżka. Gdy dziecko chce spać, należy je umieścić w odpowiednim wózku dziecięcym, łóżeczku dziecięcym lub na łóżku.
- ! Gondola nadaje się wyłącznie dla dziecka, które nie potrafi samodzielnie siadać, przewracać i podnosić się w górę na rękach lub kolanach. Maksymalna waga dziecka: 9 kg.
- ! NIE używaj i nie dodawaj żadnego innego materaca niż dostarczony z tą gondolą.

Montaż wózka dziecięcego

Przed montażem i rozpoczęciem używania tego produktu należy przeczytać wszystkie instrukcje z tego podręcznika.

Rozkładanie wózka dziecięcego

patrz rysunki 1 - 2

Oddziel zatrzask kosza od elementu montażowego 1 kosza, a następnie unieś uchwyt do góry 2, dźwięk kliknięcia oznacza, że wózek dziecięcy jest całkowicie rozłożony.

! Przed kontynuacją należy sprawdzić, czy wózek dziecięcy jest całkowicie zatrzasknięty.

Montaż i odłączanie kół przednich

patrz rysunki 3 - 4

Montaż i odłączanie kół tylnych

patrz rysunki 5 - 8

Montaż i odłączanie poprzeczki

patrz rysunki 9 - 10

Montaż daszka

patrz rysunki 11 - 12

Montaż i demontaż na pojemnik z napojem

patrz rysunki 13 - 14

Całkowicie złożony wózek dziecięcy jest pokazany na rysunku 15.

Działanie wózka dziecięcego

Regulacja oparcia na plecy

patrz rysunki 16 - 17

4 kąty nachylenia oparcia pleców.

Nachylenie oparcia pleców

Aby nachylić oparcie pleców, ściśnij uchwyt nachylania z tyłu siedzenia, naciśnij w dół oparcie pleców. 16

Podnoszenie oparcia pleców

Aby podnieść oparcie pleców, naciśnij w górę. 17

! Upewnij się, że nachylenie jest ustawione prawidłowo.

Używanie sprzączki

patrz rysunki 18 - 19

Zwolnienie sprzączki

Naciśnij środkowy przycisk, aby zwolnić sprzączkę. 18

Sprzączka blokady

Dopasuj sprzączkę pasa talii do sprzączki na ramiona 19 - 1 i zatrzasknij w środkowej sprzączce. 19 - 2 Dźwięk zatrzasku oznacza, że sprzączka jest całkowicie zatrzasknięta. 19 - 3

! Aby uniknąć poważnych obrażeń w wyniku upadku lub zsunięcia, należy zawsze zabezpieczyć dziecko uprzężą.

! Należy się upewnić, że dziecko jest dobrze zabezpieczone. Odległość pomiędzy dzieckiem a uprzężą na ramiona powinna wynosić około grubości jednej dłoni.

! Nie należy krzyżować pasów na ramiona. Może to spowodować nacisk na kark dziecka.

Używanie uprząży na barki i talię

patrz rysunki 20 - 23

! Aby zabezpieczyć dziecko przed upadkiem, po umieszczeniu dziecka na siedzeniu, należy sprawdzić, czy uprząż na ramiona i na talię jest założona na właściwej wysokości i czy ma odpowiednią długość.

20 - 1 Kotwa A uprząży na ramiona

20 - 2 Kotwa B uprząży na ramiona

20 - 3 Regulator przesuwu

Dla większego dziecka należy użyć kotwy A uprząży i najwyższych szczelin uprząży na ramiona. Dla większego dziecka należy użyć kotwy B uprząży i najniższych szczelin uprząży na ramiona.

Aby wyregulować pozycję kotwy uprząży na ramiona, obróć kotwę w celu wypoziomowania ze stroną skierowaną do przodu. Przelóż ją przez szczelinę uprząży na ramiona od tyłu do przodu. 21 Przelóż ponownie przez szczelinę najbliższą wysokości ramion dziecka. 22

Użyj regulatora przesuwu do zmiany długości uprząży. 23 - 1

Naciśnij przycisk 23 - 2, jednocześnie pociągając uprząż talii do prawidłowej długości. 23 - 3

Regulacja oparcia tydek

patrz rysunki 24

Oparcie tydek ma 2 pozycje.

Aby unieść oparcie tydek, naciśnij je do góry. Dźwięk zatrzasku oznacza, że oparcie tydek jest całkowicie zablokowane.

Aby obniżyć oparcie tydek, naciśnij przyciski regulacji po obu stronach oparcia tydek 24 - 1 i obróć oparcie tydek w dół. 24 - 2

Używanie przedniej blokady obrotu

patrz rysunki 25

Naciśnij przednie blokady obrotu, aby utrzymać kierunek ruchu. 25

Wskazówka Zalecana do używania blokady obrotu na nierównych powierzchniach.

Używanie hamulca patrz rysunki 26 - 27

Aby zablokować koła, opuść w dół dźwignię hamulca. 26

Aby zwolnić koła, podnieś dźwignię hamulca do góry. 27

Wskazówka Gdy wózek dziecięcy ma stać nieruchomo, należy zawsze uruchomić hamulec parkingowy.

Używanie daszka patrz rysunki 28

Daszek można otwierać lub składać, pociągnij go do przodu lub do tyłu.

Daszek można otworzyć całkowicie, aby zabezpieczyć dziecko przed nadmiernym słońcem, wystarczy otworzyć zamek suwakiem 28, a następnie pociągnąć daszek do przodu.

Na daszku znajduje się okno, przez które można widzieć dziecko.

Uchwyt regulacji patrz rysunki 29

Używanie osłony uprząży na ramiona i osłony uprząży na krocze

Oslonę uprząży na ramiona lub osłonę uprząży na krocze można zdjąć z uprząży. Aby zamontować osłonę uprząży na ramiona i osłonę uprząży na krocze, należy wykonać podane instrukcje w odwrotnej kolejności.

Składanie wózka dziecięcego

patrz rysunki 30 - 32

! Przed złożeniem wózka na dziecko należy złożyć daszek.

1. Pociągnij uprząż składania do góry, rama automatycznie złoży się do tyłu. 30 - 1

2. Zatrask kosza automatycznie zaczepi się za element do montażu kosza, po czym wózek złoży się i zostanie całkowicie zablokowany. 31

3. Po złożeniu wózek dziecięcy może stać. 32

Używanie akcesoriów

Akcesoria mogą być sprzedawane oddzielnie lub, w zależności od regionu, mogą nie być dostępne.

Używanie z systemem przytrzymującym dla niemowląt

patrz rysunki 33 - 39

Podczas używania z systemem przytrzymującym dla niemowląt Joie należy sprawdzić następujące instrukcje.

! Przed użyciem systemu przytrzymującego dla niemowląt należy się upewnić, że oparcie pleców zostało wyregulowane do najniższej pozycji oraz że system przytrzymujący dla niemowląt został zamocowany.

! W razie problemów dotyczących używania systemów przytrzymujących dla niemowląt należy sprawdzić odpowiedni podręcznik obsługi.

! Nie należy składać wózka dziecięcego, gdy system przytrzymujący dla niemowląt jest nadal zamontowany.

Odlączanie i montaż miękkich elementów

patrz rysunki 40 - 46

1. Usuń osłonę poprzeczki, jak pokazano na rysunku 40

2. Otwórz suwak zamka na tylnym panelu daszka. 41

! Wyreguluj oparcie tylne do najniższej pozycji, aby można było wygodnie wyjąć miękkie elementy.

3. Zdejmij osłonę oparcia tydek. 42

4. Otwórz sprzączkę na dolnej części siedzenia. 43

5. Naciśnij przycisk i obróć blokadę oparcia, aby można było wygodnie wyjąć miękkie elementy. 44 45

6. Naciśnij przycisk w dolnej części uchwytu, a następnie wyciągnij do tyłu miękkie elementy. 46

Aby ponownie zamontować miękkie elementy siedzenia, wykonaj podane instrukcje w odwrotnej kolejności 46 - 41

Korzystanie z gondoli Joie

patrz rys 47

Podczas korzystania z gondoli Joie Ramble, należy zapoznać się z treścią niniejszej instrukcji. 47

! Jeśli masz jakiegokolwiek problem dotyczący korzystania z gondoli, sprawdź treść niniejszej instrukcji.

! Podczas korzystania z gondoli zawsze używaj materaca.

! Nie składaj wózka, kiedy gondola jest zamontowana na nim.

Użycie osłony przeciwdeszczowej

patrz rys 49

Aby zamontować osłonę przeciwdeszczową, umieść ją na wózku, a następnie połącz 8 par rzepów znajdujących się na osłonie przeciwdeszczowej. 49

! Przed użyciem osłony przeciwdeszczowej, upewnij się, że oparcie zostało dostosowane do najniższej pozycji i - w przypadku użycia fotelika samochodowego z wózkiem - fotelik został zamocowany.

! Używając osłony przeciwdeszczowej, zawsze sprawdzaj jej wentylację.

! Gdy osłona przeciwdeszczowa nie jest używana, należy sprawdzić, czy została ona oczyszczona i wysuszona całkowicie przed jej złożeniem.

! Nie składaj wózka po zamontowaniu osłony przeciwdeszczowej.

! Podczas upałów nie umieszczaj dziecka w wózku z zamontowaną osłoną przeciwdeszczową.

Czyszczenie i konserwacja

patrz rysunki 50

! Do czyszczenia ramy wózka dziecięcego, należy używać wyłącznie zwykłego mydła i ciepłej wody. Nie należy stosować wybielaczy lub detergentów. Odwołaj się do wskazówek umieszczonych na metkach produktu w sprawie czyszczenia tkanin wózka.

! Od czasu do czasu należy sprawdzić wózek dziecięcy pod kątem poluzowanych śrub, zużytych części, przetartego materiału lub szwów. W razie potrzeby należy wymienić lub naprawić części. Okresowo należy otrzeć plastikowe części miękką wilgotną ściereczką. Zawsze osusz części metalowe produktu, aby zapobiec tworzeniu się rdzy, jeśli wózek miał kontakt z wodą.

! Nadmierna ekspozycja na słońce lub wysoką temperaturę może spowodować płowienie lub wykrzywianie części.

! Jeśli wózek dziecięcy zamoczy się, przed przechowywaniem należy otworzyć daszek i zaczekać na wyschnięcie.

! Jeśli koła skrzypią, należy użyć lekkiego oleju (np., aerozol silikonowy, olej przeciwdrzewny lub olej do maszyn do szycia). Ważne jest, aby nasmarować zespół osi i kół. 50

! Podczas używania wózka na plaży lub w innych miejscach zapiaszczonych/zakurzonych należy całkowicie oczyścić wózek dziecięcy po użyciu, usuwając z mechanizmów i zespołów kół piasek i sól.

Congratulazioni per essere entrato a far parte della famiglia Joie! Siamo lieti di far parte delle avventure del tuo bambino. Quando viaggi con Joie Mytrax™, sei sicuro di utilizzare un passeggino di alta qualità, totalmente certificato, approvato in base alle norme di sicurezza europee EN 1888:2012. Questo prodotto è adatto ai bambini con peso massimo inferiore a 15 kg. Leggere attentamente questo manuale e attenersi a ogni procedura per garantire un viaggio comodo e la migliore protezione per il bambino.

IMPORTANTE - Conservare le presenti istruzioni per riferimenti futuri.

Visitate il nostro sito joiebaby.com per scaricare i manuali e conoscere altri eccezionali prodotti Joie!

Per informazioni sulla garanzia, visitare il nostro sito internet all'indirizzo joiebaby.com

Indice

Figure	1-10
AVVISO	61
Montaggio del passeggino	63
Apertura del passeggino	63
Montaggio e rimozione della ruota anteriore	63
Montaggio e rimozione della ruota posteriore	63
Montaggio e rimozione del bracciolo	63
Montaggio del tettuccio	63
Assemble & distaccare del portabicchiere	63
Funzionamento del passeggino	63
Regolazione dello schienale	63
Uso della fibbia	64
Uso delle cinture di sicurezza a bretelle e inguinali	64
Regolazione del supporto per le gambe	64
Uso del blocco perno anteriore	64
Uso dei freni	65
Uso del tettuccio	65
Regolazione dell'impugnatura	65
Uso dell'imbottitura per le cinture di sicurezza a bretelle e inguinali	65
Chiusura del passeggino	65
Uso degli accessori	65
Rimozione e montaggio delle imbottiture	66
Pulizia e manutenzione	66

Emergenza

In caso di emergenza o incidenti, è estremamente importante portare il bambino al pronto soccorso per cure mediche immediate.

Informazioni sul prodotto

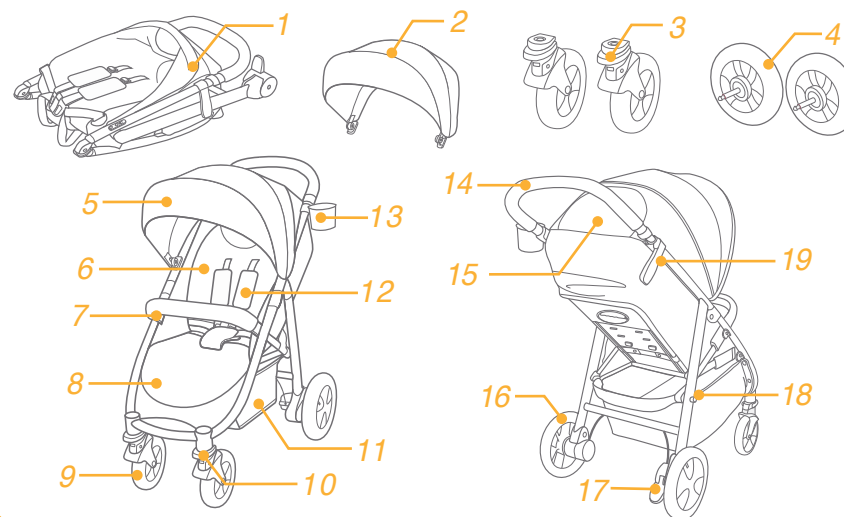
Leggere tutte le istruzioni del presente manuale prima di usare il prodotto. In caso di ulteriori domande, rivolgersi al rivenditore. Alcune funzioni potrebbero variare in base al modello.

Prodotto	Passeggino Mytrax
Adatto per	Bambini con peso inferiore ai 15 kg (dalla nascita a 36 mesi)
Materiali	Plastica, metallo, tessuto
N. brevetto	Brevetti in corso di concessione
Prodotto in	Cina
Marca	Joie
Sito web	www.joiebaby.com
Produttore	Joie Childrens Products (UK) Limited

Elenco componenti

Assicurarsi che tutti i componenti siano disponibili prima dell'assemblaggio. Se manca qualche componente, contattare il rivenditore locale. Per l'assemblaggio non è necessario nessun attrezzo.

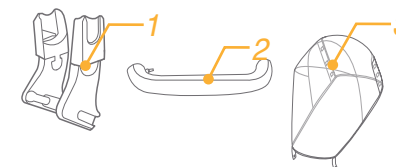
- | | | | |
|---------------------|-------------------------|------------------------------------|----------------------|
| 1 Telaio passeggino | 7 Bracciolo | 12 Cinture di sicurezza a bretelle | 16 Ruota posteriore |
| 2 Tettuccio | 8 Supporto per le gambe | 13 Portabicchiere | 17 Leva del freno |
| 3 Ruota anteriore | 9 Ruota anteriore | 14 Impugnatura | 18 Supporto chiusura |
| 4 Ruota posteriore | 10 Blocco perno | 15 Finestrella del tettuccio | 19 Fermo di chiusura |
| 5 Tettuccio | 11 Cesto portaoggetti | | |
| 6 Imbottitura | | | |



Accessori

(potrebbero non essere inclusi)

- 1 Adattatore (su alcuni modelli)
- 2 Copertura bracciolo (su alcuni modelli)
- 3 Parapioggia (su alcuni modelli)



Gli accessori potrebbero essere venduti separatamente o non essere disponibili in base all'area di acquisto.

AVVISO

- ! AVVISO Utilizzare sempre il sistema di ritenuta. Utilizzare correttamente le cinture di sicurezza ed i sistemi di ritenuta.
- ! AVVISO Prima dell'uso, assicurarsi che tutti i dispositivi di blocco siano innestati.
- ! AVVISO Evitare che i bambini giochino con questo prodotto.
- ! AVVISO Prima dell'uso, assicurarsi che il sistema di ritenuta per bambini sia correttamente innestato.
- ! Il prodotto deve essere montato solo da adulti.
- ! Usare il passeggino con bambini di peso inferiore a 15 kg. Se il bambino è troppo grande, si potrebbero causare danni al passeggino.
- ! Per evitare condizioni di instabilità e pericolo, non collocare oggetti per un peso superiore a 4,5 kg nell'apposito cesto.
- ! Il peso massimo consigliato per il portabicchiere è di 0,5 kg (1 lb).
- ! Non lasciare mai il bambino incustodito. Sorvegliare sempre il bambino mentre si trova nel passeggino.
- ! Usare il passeggino con un solo bambino per volta. Non collocare borse, sacchetti, pacchi o elementi accessori sull'impugnatura o sul tettuccio.
- ! Non devono essere utilizzati accessori non approvati dal produttore. Devono essere utilizzate solo le parti di ricambio fornite o consigliate dal produttore.
- ! Se il passeggino viene sovraccaricato, piegato in modo non corretto o usato insieme a componenti di altri produttori, si potrebbe danneggiare, rompere o diventare pericoloso. Leggere attentamente il manuale di istruzioni.
- ! Leggere tutte le istruzioni del manuale prima di usare il prodotto. Conservare questo manuale per riferimenti futuri. La mancata osservanza dei seguenti avvisi e istruzioni potrebbe causare lesioni gravi o il decesso.
- ! Per evitare gravi lesioni a seguito di caduta o scivolamento, usare sempre le cinture di sicurezza.
- ! Assicurarsi che il corpo del bambino sia lontano dalle parti in movimento quando si regola il passeggino.
- ! Assicurarsi che il passeggino sia completamente aperto o piegato prima che il bambino si avvicini.
- ! Il bambino potrebbe scivolare attraverso le aperture delle gambe ed essere strangolato se non si utilizzano le cinture di sicurezza.
- ! Non utilizzare mai il passeggino su scale o scale mobili.
- ! Tenere lontano da oggetti caldi, liquidi e dispositivi elettronici.
- ! Non permettere mai al bambino di mettersi in piedi sul passeggino, oppure di sedersi con la testa rivolta verso il passeggino.
- ! Non posizionare il passeggino su strade, pendii o aree pericolose.
- ! Per evitare lo strangolamento NON collocare oggetti dotati di lacci at-

torno al collo del bambino, appendere lacci a questo prodotto o fissare lacci ai giocattoli.

- ! Qualsiasi carico sull'impugnatura, sul retro dello schienale o sui lati del passeggino influisce sulla stabilità del passeggino stesso.
- ! NON sollevare il passeggino quando il bambino è al suo interno.
- ! NON utilizzare il cesto portaoggetti per il trasporto del bambino.
- ! Per evitare che si rovesci, evitare che il bambino si arrampichi sul passeggino. Sollevare sempre il bambino dentro e fuori dal passeggino.
- ! Per evitare di intrappolarsi le dita, prestare attenzione quando si piega e chiude il passeggino.
- ! Per evitare lesioni, assicurarsi che il bambino venga allontanato quando si piega o si apre il passeggino.
- ! Per garantire la sicurezza del bambino, assicurarsi che tutte le parti siano assemblate e fissate correttamente prima di usare il passeggino.
- ! Per evitare lo strangolamento, assicurarsi che il bambino sia lontano dal tettuccio e dalla copertura antipioggia.
- ! Innestare sempre i freni quando si parcheggia il passeggino.
- ! Cessare di utilizzare il passeggino, se è danneggiato o rotto.
- ! Il passeggino deve essere utilizzato esclusivamente per passeggiare. Questo prodotto non deve essere utilizzato quando si pratica jogging.
- ! Per evitare ustioni, non versare liquidi caldi nel portabicchiere.
- ! Per evitare il soffocamento, rimuovere il sacchetto di plastica ed i materiali di imballaggio prima di usare questo prodotto. Il sacchetto di plastica ed i materiali di imballaggio devono quindi essere tenuti lontani dalla portata dei bambini.
- ! Questo prodotto non è adatto per correre o pattinare.
- ! Per i passeggini concepiti per i neonati, si consiglia di utilizzare la posizione più inclinata.
- ! Il dispositivo di parcheggio deve essere innestato quando si accomoda o si preleva il bambino.
- ! Per i sistemi di ritenuta per bambini utilizzati in combinazione con un telaio, questo veicolo non sostituisce una culla o un letto. Se il bambino ha necessità di dormire deve essere messo in una culla o lettino appropriato.
- ! La culla portatile è adatta per un bambino che non è ancora in grado di stare seduto da solo, si rovescia e non può rialzarsi con le mani e mettersi in ginocchio. Peso massimo del bambino: 9 kg.
- ! NON utilizzare o aggiungere materassini diversi da quello fornito con la culla portatile.

Montaggio del passeggino

Leggere tutte le istruzioni del presente manuale prima di montare ed usare il prodotto.

Apertura del passeggino

Fare riferimento alle immagini 1 - 2

Separare il fermo di chiusura dal supporto chiusura 1, quindi sollevare l'impugnatura verso l'alto 2. Quando si sente un clic significa che il passeggino è completamente aperto.

! Verificare che il passeggino sia completamente bloccato prima di continuare ad utilizzarlo.

Montaggio e rimozione della ruota anteriore

Fare riferimento alle immagini 3 - 4

Montaggio e rimozione della ruota posteriore

Fare riferimento alle immagini 5 - 8

Montaggio e rimozione del bracciolo

Fare riferimento alle immagini 9 - 10

Montaggio del tettuccio

Fare riferimento alle immagini 11 - 12

Assemble & distaccare del portabicchiere

Fare riferimento alle immagini 13 - 14

Il passeggino completamente assemblato è illustrato nell'immagine 15.

Funzionamento del passeggino

Regolazione dello schienale

Fare riferimento alle immagini 16 - 17

Lo schienale ha 4 angoli (posizioni) di inclinazione.

Reclinare lo schienale

Per reclinare lo schienale, premere l'impugnatura di inclinazione sul retro del sedile e tirare verso il basso lo schienale. 16

Sollevare lo schienale

Per sollevare lo schienale, spingere verso l'alto. 17

! Assicurarsi che l'inclinazione sia regolata correttamente per l'uso.

Uso della fibbia

Fare riferimento alle immagini 18 - 19

Sblocco della fibbia

Premere il pulsante centrale per liberare la fibbia. 18

Blocco della fibbia

Far combaciare la fibbia della cintura a vita con quella della cintura di sicurezza con bretelle 19 - 1, quindi innestare nella fibbia centrale. 19 - 2 Quando si sente il "clic" significa che la fibbia è bloccata. 19 - 3

! Per evitare gravi lesioni a seguito di caduta o scivolamento, proteggere sempre il bambino utilizzando le cinture di sicurezza.

! Assicurarsi che le cinture proteggano il bambino in sicurezza. Lo spazio tra il bambino e la cintura di sicurezza con bretelle deve essere pari a circa lo spessore di una mano.

! Non incrociare le cinture di sicurezza con bretelle. Diversamente si provocherà pressione sul collo del bambino.

Uso delle cinture di sicurezza a bretelle e inguinali

Fare riferimento alle immagini 20 - 23

! Per proteggere il bambino dalla caduta, dopo averlo accomodato sul sedile, verificare che le cinture di sicurezza a bretelle e inguinali abbiano una altezza e lunghezza appropriate.

20 - 1 Punto di attacco della cintura di sicurezza con bretelle A

20 - 2 Punto di attacco della cintura di sicurezza con bretelle B

20 - 3 Dispositivo scorrevole di regolazione

Per i bambini più grandi, utilizzare il punto di attacco della cintura di sicurezza con bretelle A e le fessure superiori. Per i bambini più piccoli, utilizzare il punto di attacco della cintura di sicurezza con bretelle B e le fessure inferiori.

Per regolare la posizione del punto di attacco della cintura di sicurezza con bretelle, girare il punto di attacco in modo che sia in piano con il lato rivolto in avanti. Infilarlo nella fessura della cintura di sicurezza con bretelle dalla parte posteriore verso quella anteriore. 21 Infilarlo di nuovo nella fessura più vicina in modo che sia all'altezza delle spalle del bambino. 22

Utilizzare il dispositivo scorrevole di regolazione per modificare la lunghezza delle cinture di sicurezza. 23 - 1

Premere il pulsante 23 - 2 mentre si tira la cintura inguinale alla lunghezza adeguata. 23 - 3

Regolazione del supporto per le gambe

Fare riferimento alle immagini 24

Il supporto per le gambe ha 2 posizioni.

Per sollevarlo, spingerlo verso l'alto. Quando si sente il "clic" significa che il supporto per le gambe è completamente bloccato.

Per abbassarlo, premere i pulsanti di regolazione su entrambi i lati del supporto per le gambe 24 - 1 e abbassarlo. 24 - 2

Uso del blocco perno anteriore

Fare riferimento alle immagini 25

Sollevare i blocchi dei perni anteriori per mantenere la direzione di movimento. 25

Suggerimento si consiglia di utilizzare i i blocchi dei perni sulle superfici irregolari.

Uso dei freni

Fare riferimento alle immagini 26 - 27

Per bloccare le ruote, abbassare la leva del freno. 26

Per sbloccare le ruote, basta sollevare la leva del freno. 27

Suggerimento Innestare sempre il freno di stazionamento quando il passeggino non è in movimento.

Uso del tettuccio

Fare riferimento alle immagini 28

Il tettuccio può essere aperto o piegato, tirato in avanti o all'indietro.

Il tettuccio può essere aperto completamente per proteggere il bambino dal sole. Basta aprire la cerniera 28 e tirare il tettuccio in avanti.

Sul tettuccio è presente una finestrella, attraverso la quale si può osservare il bambino.

Regolazione dell'impugnatura

Fare riferimento alle immagini 29

Uso dell'imbottitura per le cinture di sicurezza a bretelle e inguinali

Le imbottiture della cintura di sicurezza con bretelle o inguinale possono essere rimosse dalle cinghie. Per rimettere le imbottiture della cintura di sicurezza con bretelle e inguinale, basta invertire la procedura.

Chiusura del passeggino

Fare riferimento alle immagini 30 - 32

! Prima di piegare il passeggino, piegare il tettuccio.

1. Tirando la cinghia pieghevole verso l'alto, il telaio si piega automaticamente in avanti. 30 - 1
2. Il fermo di chiusura si aggancia automaticamente al supporto chiusura, quindi il passeggino viene piegato e bloccato completamente. 31
3. Il passeggino rimane eretto quando viene piegato. 32

Uso degli accessori

Gli accessori potrebbero essere venduti separatamente o non essere disponibili in base all'area di acquisto.

Uso con sistema di ritenuta per bambini

Fare riferimento alle immagini 33 - 39

Quando si utilizza il sistema di ritenuta per bambini Gemm Joie, attenersi alle seguenti istruzioni.

- ! Prima di utilizzare il sistema di ritenuta per bambini, assicurarsi che lo schienale sia stato regolato alla posizione inferiore e che il sistema di ritenuta per bambini sia stato allacciato.
- ! In caso di problemi con l'uso del sistema di ritenuta per bambini, fare riferimento ai relativi manuali di istruzioni.
- ! Non piegare il passeggino se il sistema di ritenuta per bambini è ancora fissato.

Rimozione e installazione delle imbottiture

Fare riferimento alle immagini 40 - 46

1. Rimuovere l'imbottitura del bracciolo indicata con il numero 40
2. Aprire la cerniera sulla parte posteriore del tettuccio. 41
 - ! Regolare lo schienale sulla posizione inferiore in modo da poter comodamente rimuovere l'imbottitura.
3. Rimuovere l'imbottitura del supporto per gambe. 42
4. Aprire la fibbia sulla parte inferiore del sedile. 43
5. Premere il pulsante e ruotare il blocco del supporto in modo da poter comodamente rimuovere l'imbottitura. 44 45
6. Premere il pulsante sulla parte inferiore dell'impugnatura, quindi tirare l'imbottitura all'indietro per rimuoverla. 46

Per rimontare l'imbottitura del sedile, invertire le procedure di cui sopra 46 - 41

Uso con culla portatile Joie

vedere le immagini 47

Quando si utilizza la culla portatile Joie, fare sempre riferimento alle seguenti istruzioni.

- ! In caso di problemi con l'uso della culla portatile, fare riferimento ai relativi manuali di istruzioni.
- ! Quando si usa la culla portatile, usare sempre anche il materassino.
- ! Non piegare il passeggino quando si fissa la culla portatile.

Utilizzo della parapigioggia

vedere le immagini 49

Per montare la parapigioggia, posizionarla sopra il carello, e quindi fissate 8 paia di ganci e anelli di montaggio e 2 paia di occhielli sulla parapigioggia. 49

- ! Prima di utilizzare la parapigioggia, assicuratevi che la culla portatile è stata nella più bassa posizione.
- ! Quando si utilizza la parapigioggia controllate sempre la ventilazione.
- ! Quando la parapigioggia non si utilizza, controllate se è stata pulita e asciugata prima della piegatura.
- ! Se la parapigioggia è sopra il carello, rimuovete sempre il coperchio per evitare tagli e strappi.
- ! Non piegate il passeggino dopo l'assemblaggio della parapigioggia.
- ! Non posizionate il bambino nel passeggino con la parapigioggia installata in estate.

Pulizia e manutenzione

Fare riferimento alle immagini 50

- ! Per pulire il telaio del passeggino, utilizzare solo una soluzione di sapone e acqua calda. Non usare candeggina o detergente. Fare riferimento all'etichetta con le istruzioni di lavaggio per pulire il tessuto del passeggino.
- ! Controllare periodicamente la presenza di viti allentate, componenti usurati, materiali strappati o scuciti del passeggino. Se necessario, sostituire o riparare i componenti. Pulire periodicamente le parti in plastica con un panno umido. Asciugare sempre le parti di metallo per evitare la formazione di ruggine se il passeggino entra in contatto con l'acqua.
- ! Un'eccessiva esposizione alla luce del sole potrebbe causare lo scolorimento o la deformazione dei componenti.
- ! Se il passeggino si bagna, aprire il tettuccio e lasciarlo asciugare completamente prima di riporlo.
- ! Se le ruote cigolano, utilizzare un olio leggero (ad esempio: spray al silicone, olio antiruggine od olio per macchine da cucire). È importante oliare il gruppo asse e ruota. 50
- ! Quando si utilizza il passeggino in spiaggia o altri ambienti sabbiosi/polverosi, pulirlo completamente dopo l'uso per rimuovere la sabbia ed il sale dai meccanismi e dal gruppo della ruota.

Gefeliciteerd dat u nu lid bent van de Joie-familie! Het doet ons veel genoegen om deel te kunnen uitmaken van uw reis met uw kleintje. Bij het reizen met de Joie Mytrax™ gebruikt u een volledig gecertificeerde kwaliteits-wandelwagen, goedgekeurd volgens de Europese veiligheidsnorm EN 1888:2012. Dit product is geschikt voor gebruik met kinderen die minder dan 15 kg per zit wegen. Lees deze handleiding zorgvuldig en volg elke stap om voor een comfortabele rit en de beste bescherming van uw kind te zorgen.

BELANGRIJK: bewaar deze instructies zodat u ze later opnieuw kunt raadplegen.

Bezoek ons op joiebaby.com om handleidingen te downloaden en nog meer interessante producten van Joie te zien.

Bezoek voor de garantiebepalingen svp onze website joiebaby.com

Inhoud

Afbeeldingen	1-10
WAARSCHUWING	69
Montage wandelwagen	71
Open wandelwagen	71
Voorwiel monteren en demonteren	71
Achterwiel monteren en demonteren	71
Armsteun monteren en demonteren	71
Kap monteren	71
Bekerhouder montage & demontage	71
Gebruik wandelwagen	71
Rugsteun instellen	71
Riem gebruiken	72
Schouder- en middelriemen gebruiken	72
Kuitsteun aanpassen	72
Blokking voorwielen	72
Remmen	73
Kap gebruiken	73
Handgreep instellen	73
Gebruik afdekking schouderriemen en afdekking kruisriemen	73
Wandelwagen opvouwen	73
Accessoires gebruiken	73
Zachte materialen los- en vastmaken	74
Reiniging en onderhoud	74

Noodgeval

Bij een noodsituatie of een ongeluk is het heel belangrijk om uw kind direct te laten verzorgen met eerste hulp en medische behandeling.

Productinformatie

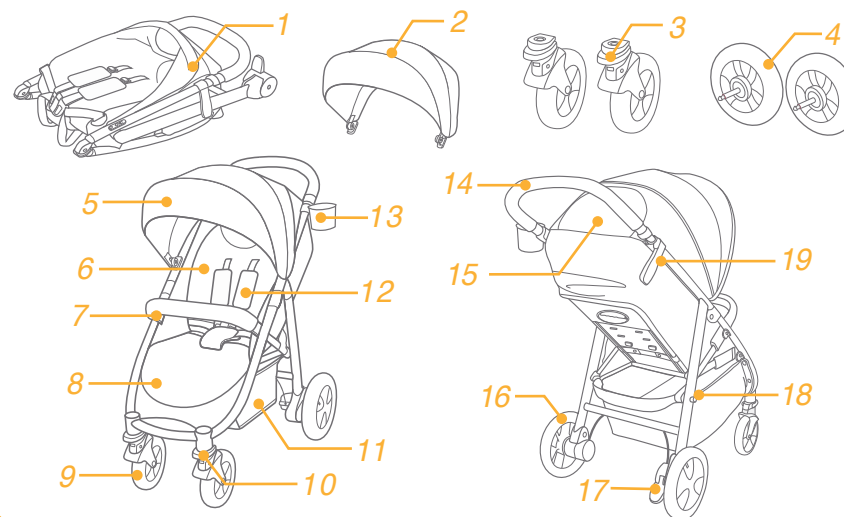
Lees alle aanwijzingen in deze handleiding voordat u het product gebruikt. Als u vragen hebt, kunt u contact opnemen met de verkoper. Sommige functies kunnen verschillen, afhankelijk van het model.

Product	Mytrax wandelwagen
Geschikt voor	Kind met een maximaal gewicht van 15 kg (geboorte - 36 maanden)
Materialen	Kunststoffen, metaal, geweven stoffen
Patentnr.	Patenten aangevraagd
Gemaakt in	China
Merksnaam	Joie
Website	www.joiebaby.com
Fabrikant	Joie Childrens Products (UK) Limited

Onderdelenlijst

Zorg dat alle onderdelen voor het opslaan droog zijn. Als er items ontbreken of beschadigd zijn, kunt u contact opnemen met uw leverancier. Voor de montage is geen gereedschap nodig.

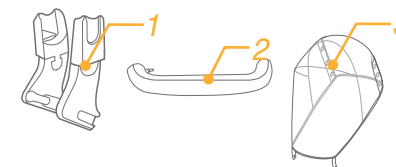
1 Frame wandelwagen	6 Zitkussen	12 Schoudergordel	17 Remhendel
2 Kap	7 Armsteun	13 Bekerhouder	18 Opbergbeugel
3 Voorwiel	8 Kuitsteun	14 Hendel	19 Opberggrendel
4 Achterwiel	9 Voorwiel	15 Raampje van de kap	
5 Kap	10 Draaislot	16 Achterwiel	
	11 Opbergmand		



Accessoires

(Mogelijk niet meegeleverd)

- 1 Adapter (op bepaalde modellen)
- 2 Armsteundek (bij bepaalde modellen)
- 3 Regenhoes (bij bepaalde modellen)



Accessoires kunnen al dan niet apart leverbaar zijn, afhankelijk van de regio.

WAARSCHUWING

- ! WAARSCHUWING Gebruik altijd de veiligheidsriemen. Veiligheidsriemen en zitsystemen moeten op de juiste wijze worden gebruikt.
- ! WAARSCHUWING Controleer voor het gebruik of alle sluitingen goed vastzitten.
- ! WAARSCHUWING Laat uw kind niet met dit product spelen.
- ! WAARSCHUWING Controleer voor het gebruik of de bevestigingsmiddelen van het kinderzitje goed zijn vastgezet.
- ! Montage door volwassene vereist.
- ! Gebruik de wandelwagen voor een kind dat minder dan 15 kg weegt. Als het kind niet past, kan dit de wandelwagen beschadigen.
- ! Om een gevaarlijke en instabiele conditie te vermijden, moet u niet meer dan 4,5 kg in de opbergmand plaatsen.
- ! Het aanbevolen maximale gewicht in de bekerhouder is 0,5 kg.
- ! Laat uw kind NOOIT zonder toezicht achter. Let altijd op uw kind als het in de wandelwagen zit.
- ! Gebruik de wandelwagen met slechts één kind tegelijk. Leg nooit handtassen, boodschappentassen, pakjes of onderdelen van toebehoren op de greep of de kap.
- ! Gebruik geen toebehoren die niet door de fabrikant zijn goedgekeurd. Gebruik uitsluitend vervangende onderdelen die zijn geleverd of aanbevolen door de fabrikant.
- ! Overbelasting, onjuist opvouwen of het gebruik van onderdelen van andere fabrikanten kan schade of een onveilige situatie voor de wandelwagen opleveren. Lees altijd eerst zorgvuldig de handleiding.
- ! Lees alle aanwijzingen in deze handleiding voordat u het product gebruikt. Bewaar de handleiding voor later gebruik. Niet-naleving van de waarschuwingen en de instructies kan ernstig letsel of de dood veroorzaken.
- ! Om ernstig letsel te vermijden door vallen of uit de wagen glijden, moet u altijd de riemen gebruiken.
- ! Zorg ervoor dat het lichaam van uw kind geen bewegende onderdelen raakt bij het aanpassen van de wandelwagen.
- ! Zorg ervoor dat de wandelwagen geheel is in- of uitgevouwen voordat u een kind on de buurt daarvan laat.
- ! Het kind kan in de beenopeningen glijden en gewurgd worden als het harnas niet wordt gebruikt.
- ! Gebruik de wandelwagen nooit op trappen of roltrappen.
- ! Uit de buurt houden van voorwerpen, vloeistoffen en elektronica met een hoge temperatuur.
- ! Laat uw kind nooit in de wandelwagen staan of met het hoofd naar de voorkant van de wandelwagen zitten.

- ! Plaats de wandelwagen nooit op wegen, hellingen of gevaarlijke gebieden.
- ! Om verstikking te voorkomen, moet u GEEN voorwerpen met een koord rond de hals van uw kind hangen, de koorden van dit product laten hangen of koorden aan speelgoed bevestigen.
- ! Elke last bevestigd aan de greep of op de achterkant van de rugsteun of de zijkanten van de wandelwagen beïnvloedt de stabiliteit van de wandelwagen.
- ! Til de wandelwagen NIET op als daar een kind in zit.
- ! Gebruik de opbergmand NIET om een kind in te plaatsen.
- ! Om omvallen te voorkomen, moet u het kind nooit in de wandelwagen laten klimmen. Til het kind altijd in en uit de wandelwagen.
- ! Om afgeklemd vingers te voorkomen, moet u opletten bij het in- en uitvouwen van de wandelwagen.
- ! Om letsel te voorkomen, moet u uw kind uit de buurt houden tijdens het open- of samenvouwen van dit product.
- ! Om voor de veiligheid van uw kind te zorgen, moet u ervoor zorgen dat alle onderdelen goed zijn gemonteerd en vastgezet voordat u de wandelwagen gebruikt.
- ! Om verstikking te voorkomen, moet u ervoor zorgen dat uw kind niet door de kap wordt bedekt.
- ! Gebruik altijd de remmen bij het parkeren van de wandelwagen.
- ! Gebruik de wandelwagen niet meer als deze is beschadigd of kapot is.
- ! De wandelwagen mag alleen met een loopsnelheid gebruikt worden. Dit product is niet bedoeld voor gebruik tijdens het joggen.
- ! Om brandwonden te voorkomen, moet u nooit hete vloeistoffen in de bekerhouder plaatsen.
- ! Om verstikking te voorkomen, moet u de plastic zak en verpakkingsmaterialen verwijderen voordat u de stoel gebruikt. Houd de plastic zak en verpakkingsmaterialen buiten bereik van baby's en kinderen.
- ! Dit product is niet geschikt om mee te rennen of rolschaatsen.
- ! Wandelwagen ontworpen voor gebruik vanaf de geboorte, gebruik de meest vlakke stand voor pasgeboren baby's.
- ! Bij het plaatsen en verwijderen van het kind moet de parkeerrem geactiveerd zijn.
- ! Voor kinderstoeltjes die gebruikt worden in combinatie met een chassis, vervangt dit voertuig geen draagwieg of bed. Als uw kind moet slapen, moet u het in een geschikte kinderwagen, wieg of bed leggen.
- ! Reiswieg is alleen geschikt voor een baby die nog niet rechtop kan zitten, om kan rollen, of zichzelf op handen en voeten kan duwen. Maximum gewicht van de baby: 9kg.
- ! Gebruik GEEN andere matras dan degene die met de reiswieg wordt meegeleverd.

Montage wandelwagen

Lees alle aanwijzingen in deze handleiding voordat u het product monteert en gebruikt.

Open wandelwagen zie afbeeldingen 1 - 2

Maak de opbergrendel los van de opbergbeugel en til de hendel omhoog ①. Als u een klik hoort, ② betekent dit dat de wandelwagen volledig geopend is.

! Controleer of de wagen goed vergrendeld is voordat u het gebruikt.

Voorwiel monteren en demonteren zie afbeeldingen 3 - 4

Achterwiel monteren en demonteren zie afbeeldingen 5 - 8

Armsteun monteren en demonteren zie afbeeldingen 9 - 10

Kap monteren zie afbeeldingen 11 - 12

Bekerhouder montage & demontage zie afbeeldingen 13 - 14

De volledig gemonteerde wandelwagen wordt afgebeeld in ⑮.

Gebruik wandelwagen

Rugsteun instellen zie afbeeldingen 16 - 17

De rugsteun heeft 4 hoeken.

Rugsteun naar achteren brengen

Knijp om de rugleuning naar achteren te brengen de greep op de achterkant van de zitting in en trek de rugleuning omlaag. ⑮

De rugsteun omhoog brengen

Druk de rugsteun omhoog om het rechtop te zetten. ⑰

! Controleer of de helling goed is ingesteld.

Riem gebruiken zie afbeeldingen 18 - 19

Maak de gesp los

Druk op de knop in het midden om de riem los te maken. ⑱

Riem vastmaken

Verbind de gesp van de middelriem met de schouderriem ⑲ - 1 en klik deze in de middengesp. ⑲ - 2. Een klikkend geluid betekent dat de riem vergrendeld is. ⑲ - 3

! Om ernstig letsel te voorkomen door uit de stoel vallen of glijden, moet u uw kind altijd met de riemen vastzetten.

! Zorg ervoor dat uw kind goed vast zit. De ruimte tussen het kind en de schouderriemen moet ongeveer de dikte van een hand zijn.

! De schouderriemen NIET kruisen. Dat veroorzaakt druk op de nek van het kind.

Schouder- en middelriemen gebruiken zie afbeeldingen 20 - 23

! Om te voorkomen dat uw kind uit de stoel valt, moet u controleren of de schouder- en middelriemen op de juiste hoogte en lengte zitten.

⑳ - 1 Schouderriemanker A

⑳ - 2 Schouderriemanker B

⑳ - 3 Schuifinstelling

Gebruik voor een groter kind schouderriemanker A en de hoogste schouderleuven. Gebruik voor een kleiner kind schouderriemanker B en de laagste schouderleuven.

Om de positie van het schouderriemanker aan te passen, draait u het anker zodat het gelijk ligt met de kant die naar voren kijkt. Geleid het van achter naar voren door de sleuf voor de schouderriem. ㉑ Steek deze vervolgens opnieuw door de sleuf die het dichtst bij de schouderhoogte van het kind zit. ㉒

Gebruik de schuifregelaar om de lengte van de riemen in te stellen. ㉓ - 1

Druk op knop ㉓ - 2 terwijl u de middelriem op de juiste lengte trekt. ㉓ - 3

Kuitsteun aanpassen zie afbeeldingen 24

De kuitsteun heeft 2 standen.

Druk de kuitsteun omhoog om het hoger te plaatsen. Een klikkend geluid betekent dat de riem vergrendeld is.

Druk op de instelknoppen aan weerszijden van de kuitsteun ㉔ - 1 om de steun omlaag te brengen en draai de steun omlaag. ㉔ - 2

Blokkering voorwielen zie afbeeldingen 25

Druk de blokkering van de voorwielen omhoog om de bewegingsrichting te behouden. ㉕

Tip aanbevolen wordt om de draaiblokkering op ongelijke oppervlakken te gebruiken.

Remmen zie afbeeldingen 26 - 27

Trap de remhendel omlaag om de wielen te blokkeren. 26

Licht de remhendel op om de wielen vrij te geven. 27

Tip zet de rem altijd vast als de wandelwagen moet stilstaan.

Kap gebruiken zie afbeeldingen 28

U kunt de kap openen of opvouwen, trek het naar voren of naar achteren.

De kap kan volledig worden geopend om uw kind zoveel mogelijk tegen de zon te beschermen; rits de rits 28 los en trek de kap naar voren.

De kap bevat een raampje waardoor u uw baby kunt zien.

Handgreep instellen zie afbeeldingen 29

Gebruik afdekking schouderriemen en afdekking kruisriemen

De afdekking van de schouderriemen of van de kruisriemen kan worden losgemaakt van de spanriemen. Ga in omgekeerde volgorde te werk om de afdekking van de schouderriem en de middelriem te monteren.

wandelwagen opvouwen

zie afbeeldingen 30 - 32

! Vouw de kap op voordat u de kinderwagen opvouwt.

1. Trek het opvouwbare gaas omhoog waarna het frame automatisch naar achteren klapt. 30 - 1
2. De opberggrendel haakt automatisch vast aan de opbergbeugel en daarna is de wandelwagen volledig opgevouwen en vergrendeld. 31
3. Tijdens het invouwen kan de wandelwagen staan. 32

Accessoires gebruiken

Accessoires kunnen al dan niet apart leverbaar zijn, afhankelijk van de regio.

Gebruiken met babyzitje

zie afbeeldingen 33 - 39

Raadpleeg de volgende instructies bij het gebruik van het Joie-babyzitje gemm.

- ! Voordat u het babyzitje gebruikt, moet u ervoor zorgen dat de rugsteun is ingesteld op de laagste stand en dat het babyzitje is bevestigd.
- ! Als u problemen ondervindt bij het gebruik van het babyzitje, raadpleeg dan de betreffende handleidingen.
- ! Vouw de wandelwagen niet op als het babyzitje nog bevestigd is.

Zachte materialen los- en vastmaken

zie afbeeldingen 40 - 46

1. Verwijder de afdekking van de armsteun als afgebeeld in 40
 2. Open de rits op de achterkant van de kap. 41
 - ! Zet de rugsteun in de laagste stand om de zachte materialen gemakkelijk te verwijderen.
 3. Verwijder de afdekking van de kuitsteun. 42
 4. Open de gesp op de onderkant van het zitje. 43
 5. Druk op de knop en draai het steunblok om de zachte materialen gemakkelijker te verwijderen. 44 45
 6. Druk op de knop onderop de greep en trek de zachte materialen naar achteren om ze te verwijderen. 46
- Om de zachte materialen weer te bevestigen, gaat u in omgekeerde volgorde te werk. 46 - 41

Gebruik met Joie reiswieg

zie afbeeldingen 47

Bij gebruik met de Joie Ramble reiswieg, volg svp de volgende aanwijzingen.

- ! Bij problemen met het gebruik van de reiswieg, lees dan de gebruiksaanwijzing van de reiswieg.
- ! Gebruik de reiswieg altijd samen met de matras.
- ! Klap de wandelwagen niet in als u de reiswieg erop bevestigt.

Gebruik van de regenhoes

zie afbeeldingen 49

Voor het monteren van de regenhoes, plaats het over de kinderwagen en bevestig dan de 8 paar haken en montage ringen en 2 paar oogjes op regenhoes. 49

- ! Voordat u de regenhoes gebruikt, zorg ervoor dat de rugleuning werd aangepast in de laagste stand en het kinderzitje is vastgesteld
- ! Voordat u de regenhoes gebruik, controleer of de reiswieg wordt bevestigd.
- ! Bij gebruik van de regenhoes, controleer dan altijd de ventilatie.
- ! Wanneer niet in gebruik, moet u controleren of de regenhoes is schoongemaakt en gedroogd voordat u het inklapt.
- ! Inklap nooit de kinderwagen na het monteren van de regenhoes.
- ! Plaats uw kind nooit in de kinderwagen met de monterde regenhoes bij warm weer.

Reiniging en onderhoud

zie afbeeldingen 50

- ! Gebruik voor het schoonmaken van het frame alleen zeep en warm water. Geen bleekmiddel of schoonmaakmiddelen. Raadpleeg het verzorgingslabel voor instructies betreffende reiniging van de stoffen onderdelen van de wandelwagen.
- ! Controleer de wandelwagen van tijd tot tijd op losse schroeven, slijtage, scheuren en beschadigde naden. Vervang of herstel de onderdelen als dat nodig is. Veeg de plastic onderdelen periodiek schoon met een zachte vochtige doek. Droog de metalen onderdelen om de vorming van roest te voorkomen als de wandelwagen in contact is geweest met water.
- ! Overmatige blootstelling aan zon of warmte kan vervagen of vervormen van onderdelen veroorzaken.
- ! Als de wandelwagen nat is geworden, moet u de kap openen en het laten drogen voordat u het opbergt.
- ! Als de wieltjes piepen, moet u dunne olie gebruiken (bijvoorbeeld siliconenspray, antiroest-olie of naaimachine-olie). De olie moet in de as en het wielstel komen. 50
- ! Als u de wandelwagen op het strand gebruikt, moet u het goed schoonmaken na het gebruik om alle zand en zout van het mechanisme en de wielen te verwijderen.

TR Joie™ 'ye Hoş Geldiniz

Joie ailesine katıldığınız için tebrikler! Çocuğunuzla olan yolculuğunuzda size katılmaktan büyük bir heyecan duyuyoruz. Joie Mytrax™ ile seyahat ederken, EN 1888:2012 Avrupa güvenlik standartlarıyla onaylanmış, yüksek kaliteli, tamamen sertifikalı bir bebek arabası kullanırsınız. Bu ürün, 15 kg altındaki çocuklar için kullanıma uygundur. Rahat bir sürüş ve çocuğunuz için en iyi korumayı sağlamak üzere lütfen bu kılavuzu dikkatlice okuyun ve her bir adımı izleyin.

ÖNEMLİ - Bu talimatları, ileride başvurmak üzere saklayın.

Kılavuzları indirmek ve daha heyecan verici Joie ürünlerine bakmak için bizi joiebaby.com adresinden ziyaret edin!

Garanti bilgisi için lütfen joiebaby.com adresindeki web sitemizi ziyaret edin

İçindekiler

Şekiller	1-10
UYARI	77
Bebek Arabası Montajı	79
Bebek Arabasını Açma	79
Ön Teker Monte Etme ve Çıkarma	79
Arka Teker Monte Etme ve Çıkarma	79
Kolçağı Monte Etme ve Çıkarma	79
Tenteyi Monte Etme	79
Bardak Tutucuyu Montaj & Sökme	79
Bebek Arabası Kullanımı	79
Arkalık Ayarı	79
Toka Kullanımı	80
Omuz ve Bel Kayışlarının Kullanımı	80
Baldır Desteği Ayarı	80
Ön Döndürme Kilidi Kullanımı	80
Fren Kullanımı	81
Tente Kullanımı	81
Kulüp Ayarı	81
Omuz Kayışı Kılıfı ve Kasık Kayışı Kılıfı Kullanımı	81
Bebek Arabasını Katlama	81
Aksesuarların Kullanımı	81
Tekstil Malzemelerini Çıkarma ve Monte Etme	82
Temizlik ve Bakım	82

Acil durum

Acil durum veya kaza hâlinde, çocuğunuza hemen ilk yardım ve tıbbi tedavi uygulanması çok önemlidir.

Ürün Bilgisi

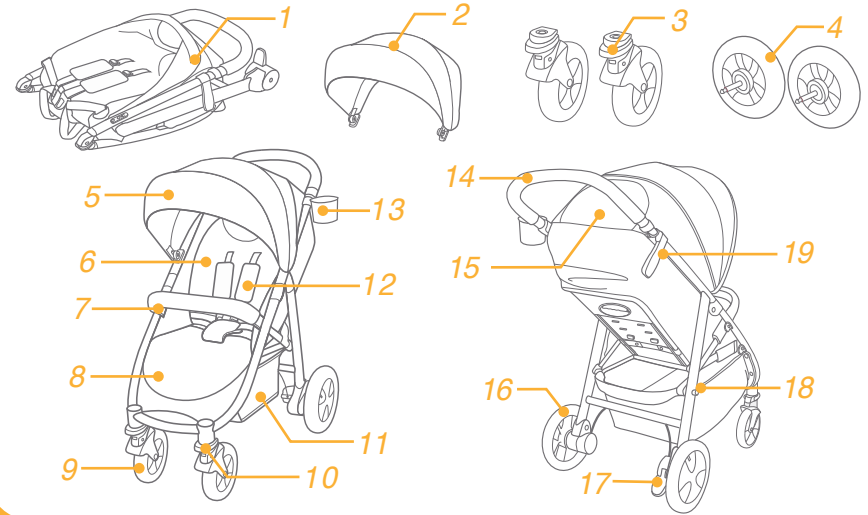
Bu ürünü kullanmadan önce bu kılavuzdaki tüm talimatları okuyun. Sorularınız varsa lütfen satıcıyla iletişime geçin. Bazı özellikler modele bağlı olarak değişebilir.

Ürün	Mytrax Bebek Arabası
Uygunluk:	15 kg altındaki çocuklar (doğum - 36 ay)
Malzemeler	Plastik, metal, kumaş
Patent No.	Patentler beklenmemektedir
Çin'de	üretimiştir
Marka	Joie
Web sitesi	www.joiebaby.com
Üretici	Joie Childrens Products (UK) Limited

Parça Listesi

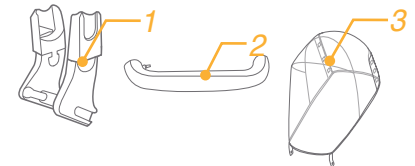
Montajdan önce tüm parçaların olduğundan emin olun. Eksik parça varsa lütfen yerel satıcınıza başvurun. Montaj için alet gerekli değildir.

1 Bebek Arabası Çerçevesi	6 Koltuk Yastığı	12 Omuz Kayışı	18 Depolama Bağlantısı
2 Tente	7 Kolçak	13 Bardak Tutucu	19 Depolama Mandalı
3 Ön Teker	8 Baldır Desteği	14 Kulüp	
4 Arka Teker	9 Ön Teker	15 Tente Penceresi	
5 Tente	10 Döndürme Kilidi	16 Arka Teker	
	11 Depolama Sepeti	17 Fren Kolu	



Aksesuarlar (dâhil olmayabilir)

- 1 Adaptör (bazı modellerde)
- 2 Kolçak Kılıfı (bazı modellerde)
- 3 yağmur kapak (bazı modellerde)



Aksesuarlar, bölgeye bağlı olarak ayrı satılabilir veya mevcut olmayabilir.

UYARI

- ! UYARI Her zaman bağlama sistemini kullanın. Emniyet kemerleri ve bağlama sistemleri doğru kullanılmalıdır.
- ! UYARI Kullanmadan önce tüm kilitleme mekanizmalarının takıldığından emin olun.
- ! UYARI Çocuğunuzun bu ürünle oynamasına izin vermeyin.
- ! UYARI Kullanmadan önce çocuk emniyet bağlantısı mekanizmalarının doğru biçimde takıldığını kontrol edin.
- ! Montaj yetişkin tarafından yapılmalıdır.
- ! Bebek arabasını 15 kilonun altındaki çocukla kullanın. Sığmayan çocuk bebek arabasında hasara neden olur.
- ! Tehlikeli, dengesiz bir durumu önlemek için, depolama sepetine 4,5 kg ağırlıktan fazlasını koymayın.
- ! Bardak tutucuda önerilen en fazla ağırlık 0,5 kg'dır.
- ! Çocuğunuzu kesinlikle yalnız bırakmayın. Bebek arabasındayken, çocuğu hep göz önünde tutun.
- ! Bebek arabasını aynı anda yalnızca bir çocukla kullanın. Kulpa veya tenteye asla cüzdan, alışveriş torbası, koli ya da aksesuar koymayın.
- ! Üretici tarafından onaylanmamış aksesuarlar kullanılmamalıdır. Yalnızca üretici tarafından sağlanan veya önerilen yedek parçalar kullanılmalıdır.
- ! Aşırı yüklemek, yanlış katlamak veya başka üreticilerin tamamlayıcı parçalarını kullanmak bebek arabasının hasar görmesine, kırılmasına ya da güvensiz duruma gelmesine neden olabilir. Lütfen talimat kılavuzunu dikkatlice okuyun.
- ! Ürünü kullanmadan önce lütfen kılavuzdaki tüm talimatları okuyun. İleride kullanmak için lütfen talimat kılavuzunu saklayın. Bu uyarılara ve talimatlara uymamak ciddi yaralanma ya da ölümlle sonuçlanabilir.
- ! Düşme veya kayma nedeniyle ciddi yaralanmayı önlemek için mutlaka emniyet kemeri kullanın.
- ! Bebek arabasını ayarlarken, çocuğunuzun gövdesinin hareketli parçalardan uzak olduğundan emin olun.
- ! Çocuğun bebek arabasına yaklaşmasına izin vermeden önce bebek arabasının tamamen açıldığından veya katlandığından emin olun.
- ! Kayış kullanılmazsa, çocuk bacak açıklıklarına kayabilir ve boğulabilir.
- ! Bebek arabasını sabit ya da yürüyen merdivenlerde asla kullanmayın.
- ! Yüksek sıcaklıktaki nesnelere, sıvılardan ve elektronik aygıtlardan uzak tutun.
- ! Çocuğunuzun bebek arabasında ayağa kalkmasına veya kafasını arabanın önüne doğru uzatmış biçimde oturmasına asla izin vermeyin.
- ! Bebek arabasını yollara, eğimli yerlere veya tehlikeli alanlara asla bırakmayın.
- ! Boğulmayı önlemek için, çocuğunuzun boynunun etrafında ipli nesnelere BULUNDURMAYIN, üründen ipler ASMAYIN veya oyuncaklara ip BAĞLAMAYIN.

- ! Kulpa, arkalığın sırt kısmına veya bebek arabasının yan taraflarına takılan yükler, bebek arabasının dengesini etkileyecektir.
- ! Çocuk içinde otururken bebek arabasını yukarı kaldırmayın.
- ! Depolama sepetini çocuk taşıma aracı olarak kullanmayın.
- ! Devrilmeyi önlemek için, çocuğunuzun bebek arabasına tırmanmasına asla izin vermeyin. Her zaman çocuğu havaya kaldırarak bindirin ve indirin.
- ! Bebek arabasını katlarken ve açarken parmağınızı sıkıştırmamaya dikkat edin.
- ! Yaralanmayı önlemek için, bu ürünü açarken ve katlarken çocuğunuzun uzakta olduğundan emin olun.
- ! Çocuğunuzun güvenliğini sağlamak için, bebek arabasını kullanmadan önce lütfen tüm parçaların monte edildiğinden ve düzgün biçimde sabitlendiğinden emin olun.
- ! Boğulmayı önlemek için, çocuğunuzun tenteden uzak olduğundan emin olun.
- ! Bebek arabasını park ederken her zaman frenleri etkinleştirin.
- ! Hasar görürse veya kırılırsa bebek arabasını kullanmayı bırakın.
- ! Bebek arabası yalnızca yürüme hızında kullanılmalıdır. Bu ürün koşu yaparken kullanıma uygun değildir.
- ! Yanıkları önlemek için, bardak tutucuya asla sıcak sıvılar koymayın.
- ! Boğulmayı önlemek için, ürünü kullanmadan önce plastik torbayı ve ambalaj malzemelerini çıkarın. Çıkarılan plastik torba ve ambalaj malzemeleri bebeklerden ve çocuklardan uzak tutulmalıdır.
- ! Bu ürün koşma ya da paten kayma için uygun değildir.
- ! Doğumdan itibaren kullanılmak üzere tasarlanmış bebek arabasının, yeni doğan bebekler için en yatık konumda kullanılması önerilir.
- ! Çocuğunuzu yerleştirirken ve kaldırırken park etme mekanizması etkinleştirilmelidir.
- ! Bir şasiyle birlikte kullanılan çocuk koltukları için, bu araç karyola veya yatak yerine geçmez. Çocuğunuzun uyması gerektiğinde, uygun bir taşınabilir bebek yatağına, karyolaya veya yatağa yatırılmalıdır.
- ! Kendisi ayakta duran, yanda kendine civiren ve dizlerin üstünde yuruyen bir çocuk için portatif besliik kullanmayın. Cocuguk maksimum ağırlık 9 Kg olması gerekiyor.”
- ! Portbebe ile verilen yataktan başka yatak kullanmayınız ve yatak eklemeyiniz.

Bebek Arabası Montajı

Lütfen bu ürünü monte etmeden ya da kullanmadan önce bu kılavuzdaki tüm talimatları okuyun.

Bebek Arabasını Açma

bkz. görüntü 1 - 2

Depolama mandalını depolama bağlantısından ayırın 1 ve kulpu yukarı doğru kaldırın 2; tıklama sesi bebek arabasının tamamen açıldığı anlamına gelir.

! Kullanmaya devam etmeden önce, bebek arabasının mandalla tamamen kilitletiğini kontrol edin.

Ön Teker Monte Etme ve Çıkarma

bkz. görüntü 3 - 4

Arka Teker Monte Etme ve Çıkarma

bkz. görüntü 5 - 8

Kolçağı Monte Etme ve Çıkarma

bkz. görüntü 9 - 10

Tenteyi Monte Etme

bkz. görüntü 11 - 12

Bardak Tutucuyu Montaj & Sökme

bkz. görüntü 13 - 14

Tamamen monte edilen bebek arabası 15 ile gösterilmektedir.

Bebek Arabası Kullanımı

Arkalık Ayarı

bkz. görüntü 16 - 17

Arkalık için 4 tane yatırma açısı vardır.

Arkalığı Yatırma

Arkalığı yatırmak için, koltuğun arkasındaki yatırma kulpunu sıkıp arkalığı aşağı çekin. 16

Arkalığı Yükseltme

Arkalığı yükseltmek için yukarı itin. 17

! Yatırma açısının kullanıma uygun ayarlandığından emin olun.

Toka Kullanımı

bkz. görüntü 18 - 19

Tokayı Serbest Bırakın

Tokayı serbest bırakmak için orta düğmeye basın. 18

Tokayı Kilitleme

Bel kemeri tokasını omuz tokasıyla eşleştirip 19 - 1 orta tokaya kilitleyin. 19 - 2 "Tıklama" sesi, tokenın tamamen kilitletiğini anlamına gelir. 19 - 3

! Düşme veya kayma sonucu oluşacak ciddi yaralanmaları önlemek için, çocuğunuzu her zaman kayışla sabitleyin.

! Çocuğunuzun güvenli biçimde sabitlendiğinden emin olun. Çocuk ve omuz kayışı arasındaki mesafe yaklaşık bir el kalınlığında olmalıdır.

! Omuz kemerlerini çaprazlamayın. Bu, çocuğun boynuna basınç uygular.

Omuz ve Bel Kayışlarının Kullanımı

bkz. görüntü 20 - 23

! Çocuğunuzun düşmesini önlemek için, çocuğunuz koltuğa yerleştirildikten sonra omuz ve bel kayışlarının doğru yükseklikte ve uzunlukta olup olmadığını kontrol edin.

20 - 1 Omuz kayışı tutturma noktası A

20 - 2 Omuz kayışı tutturma noktası B

20 - 3 Kayar ayarlayıcı

Daha büyük çocuk için, omuz kayışı tutturma noktası A ve en yüksek omuz deliklerini kullanın. Daha küçük çocuk için, omuz kayışı tutturma noktası B ve en düşük omuz deliklerini kullanın.

Omuz kayışı tutturma noktasının konumunu ayarlamak için, tutturma noktasını öne bakan tarafla aynı düzeyde olacak şekilde döndürün. Omuz kayışı deliği içinden arkadan öne doğru geçirin. 21 Çocuğunuzun omuz yüksekliğine en yakın olan delikten tekrar geçirin. 22

Kayış uzunluğunu değiştirmek için kayar ayarlayıcıyı kullanın. 23 - 1

Bel kayışını doğru uzunlukta tutarken düğmeye basın. 23 - 2 23 - 3

Baldır Desteği Ayarı

bkz. görüntü 24

Baldır desteği 2 konuma sahiptir.

Baldır desteğini yükseltmek için yukarı doğru itin. "Tıklama" sesi, baldır desteğinin tamamen kilitletiğini anlamına gelir.

Baldır desteğini alçaltmak için, baldır desteğinin her iki tarafındaki ayar düğmelerine basın 24 - 1 ve baldır desteğini aşağı doğru döndürün. 24 - 2

Ön Döndürme Kilidi Kullanımı

bkz. görüntü 25

Hareket yönünü korumak için ön döndürme kilitlerini yukarı itin. 25

İpucu

Döndürme kilitlerinin düz olmayan yüzeylerde kullanılması önerilir.

Fren Kullanımı

bkz. görüntü 26 - 27

Tekerleri kilitlemek için fren koluna ayağınızla basın. 26

Tekerleri serbest bırakmak için fren kolunu yukarı doğru kaldırmamız yeterlidir. 27

İpucu

Bebek arabası kullanılmıyorken her zaman park frenine alın.

Tente Kullanımı

bkz. görüntü 28

Tente açılabilir veya katlanabilir; öne ya da arkaya doğru çekin.

Tente, çocuğunuzu güneşten en iyi şekilde korumak için tamamen açılabilir; fermuarı açıp 28, tenteyi öne doğru çekmeniz yeterlidir.

Tentede, bebeğinizi görebilmenizi sağlayan bir pencere vardır.

Kulp Ayarı

bkz. görüntü 29

Omuz Kayışı Kılıfı ve Kasık Kayışı Kılıfı Kullanımı

Omuz kayışı kılıfı ya da kasık kayışı kılıfı şeritten çıkarılabilir. Omuz kayışı kılıfını ve kasık kayışı kılıfını takmak için adımları ters yönde izleyin.

Bebek Arabasını Katlama

bkz. görüntü 30 - 32

! Lütfen bebek arabasından önce tenteyi katlayın.

1. Katlama şeridini yukarı doğru çektiğinizde, çerçeve otomatik olarak geriye doğru katlanacaktır. 30 - 1
2. Depolama mandalı otomatik olarak depolama bağlantısına geçecek, ardından bebek arabası tamamen katlanıp kilitlenecektir. 31
3. Bebek arabası, katlanmış durumdayken dik olarak durabilir. 32

Aksesuarların Kullanımı

Aksesuarlar, bölgeye bağlı olarak ayrı satılabilir veya mevcut olmayabilir.

Çocuk Koltuğuyla Kullanım

bkz. görüntü 33 - 39

Joie gemm çocuk koltuğuyla kullanırken lütfen aşağıdaki talimatlara başvurun.

- ! Çocuk koltuğunu kullanmadan önce, lütfen arkalığın en alçak konuma ayarlandığından ve çocuk koltuğunun sabitlendiğinden emin olun.
- ! Çocuk koltuğunu kullanma konusunda herhangi bir sorun yaşarsanız, lütfen ilgili talimat kılavuzlarına başvurun.
- ! Bebek arabasını, çocuk koltuğu takılı durumdayken katlamayın.

Tekstil Malzemelerini Çıkarma ve Monte Etme

bkz. görüntü 40 - 46

1. Kolçak kılıfını gösterildiği gibi çıkarın 40
 2. Tentenin arka panelindeki fermuarı açın. 41
 - ! Tekstil malzemelerini çıkarmayı kolaylaştırmak için arkalığı en alçak konuma ayarlayın.
 3. Baldır desteği kılıfını çıkarın. 42
 4. Koltuğun altındaki tokayı açın. 43
 5. Tekstil malzemelerini çıkarmayı kolaylaştırmak için düğmeye basıp destek bloğunu döndürün. 44 45
 6. Kulpun altındaki düğmeye basıp, çıkarmak için tekstil malzemelerini arkaya doğru çekin. 46
- Koltuk tekstil malzemelerini geri takmak için yukarıdaki adımları ters yönde izleyin 46 - 41

Joie Portatif Karyolayla Kullanım

47 arası görsellere bakın

Joie ramble portatif karyolayla kullanırken lütfen aşağıdaki talimatlara başvurun. 47

- ! Portatif karyolayı kullanma konusunda herhangi bir sorun yaşarsanız, lütfen ilgili talimat kılavuzlarına başvurun.
- ! Portatif karyolayı kullanırken mutlaka şilteden yararlanın.
- ! Portatif karyolayı takarken lütfen bebek arabasını katlamayın.

Yağmur ortusu kullanımı

49 arası görsellere bakın

Yağmur ortusu montajı etmesi için , ilk önce bebek arabasına ustunde yerlestirin ve sonradan olan cif 8 adet zimbalar yapistirin. 49

- ! Yağmur ortusu kullanmadan önce , en dusuk pozisyona olan arkaligin ayarlandigina ve cocugu sandaliyesi sabitlestigine emin olun.
- ! Yağmur ortusu kullandigin zaman havalandirmasini kontrol edin.
- ! Yağmur ortusu kullanmadigin zaman , katlanmadan nce temizlendigine ve kurulduguna emin olun.
- ! Kesimi ve yırtmasin onlemek icin yagumr ortusu bebek arabasin ustunde cikartin.
- ! Yağmur ortusu montaj edildikten sonra bebek arabasini katlanmayin.
- ! Sicak mevsinden montaj edildigin yagmur ortusunu cocugunuz bebek arabasi icinde koymayin.

Temizlik ve Bakım

bkz. görüntü 50

- ! Bebek arabası çerçevesini temizlemek için yalnızca ev sabunu ve ılık su kullanın. Çamaşır suyu ya da deterjan kullanmayın. Bebek arabasının kumaş parçalarının temizliği konusunda yönergeler için lütfen bakım etiketine başvurun.
- ! Gevşeyen vidalar, eskimiş parçalar, yırtık malzeme ya da sökülmüş dikiş olup olmadığını belirlemek için bebek arabanızı ara sıra kontrol edin. Gerek duyduğunuzda ilgili parçaları değiştirin ya da onarın. Plastik parçaları düzenli olarak yumuşak, nemli bir bezle silerek temizleyin. Bebek arabası suyla temas ederse, pas oluşumunu önlemek için metal parçaları mutlaka kurulayın.
- ! Güneşe ya da ısıya uzun süre maruz kalması durumunda parçaların rengi solabilir ya da biçimsel bozulmalar görülebilir.
- ! Bebek arabası ıslanırsa, tenteyi açın ve depolamadan önce iyice kurumasını sağlayın.
- ! Tekerler gıcırdaarsa, hafif bir yağ (örneğin Silikon Sprey, paslanma önleyici yağ ya da dikiş makinesi yağı) kullanın. Yağı aksa ve teker donanımına uygulamak önemlidir. 50
- ! Bebek arabanızı plajda veya başka kumlu/tozlu ortamlarda kullanırken, mekanizmalar ve teker donanımlarındaki kumu ve tuzu gidermek için, bebek arabanızı kullanım sonrasında tamamen temizleyin.

Поздравляем вас с тем, что вы стали частью семьи Joie! Мы рады отправиться в путь вместе с вами и вашим малышом. Путешествуя с коляской Joie Mytrax™, вы используете высококачественную коляску, сертифицированную по европейскому стандарту безопасности EN 1888:2012. Данная коляска подходит для детей весом до 15 кг. Внимательно прочтите настоящее руководство и следуйте всем рекомендациям, чтобы обеспечить удобство в поездке и максимальную защиту для ребенка.

ВАЖНО! Сохраните настоящее руководство для использования в будущем.

Скачать руководства и ознакомиться с другой замечательной продукцией Joie можно на веб-сайте joiebaby.com.

Для получения информации по гарантии, пожалуйста, посетите наш сайт joiebaby.com

Содержание

Рисунки	1-10
ВНИМАНИЕ	85
Сборка коляски	87
Раскладывание коляски	87
Сборка и установка передних колес	87
Сборка и установка задних колес	87
Сборка и установка поручня	87
Сборка козырька	87
Монтаж и демонтаж подстаканника	87
Использование коляски	87
Регулировка положения спинки	87
Использование пряжки	88
Использование плечевых и поясных ремней	88
Регулировка положения опоры для ног	88
Использование фиксатора передних колес	88
Использование тормоза	89
Использование козырька	89
Регулировка положения ручки	89
Использование накладок для плечевых ремней и пахового ремня	89
Складывание коляски	89
Использование принадлежностей	89
Снятие и надевание деталей из ткани	90
Чистка и уход	90

Непредвиденные ситуации

В случае возникновения чрезвычайного происшествия или аварийной ситуации следует незамедлительно оказать ребенку первую помощь и обратиться к врачу.

Информация об изделии

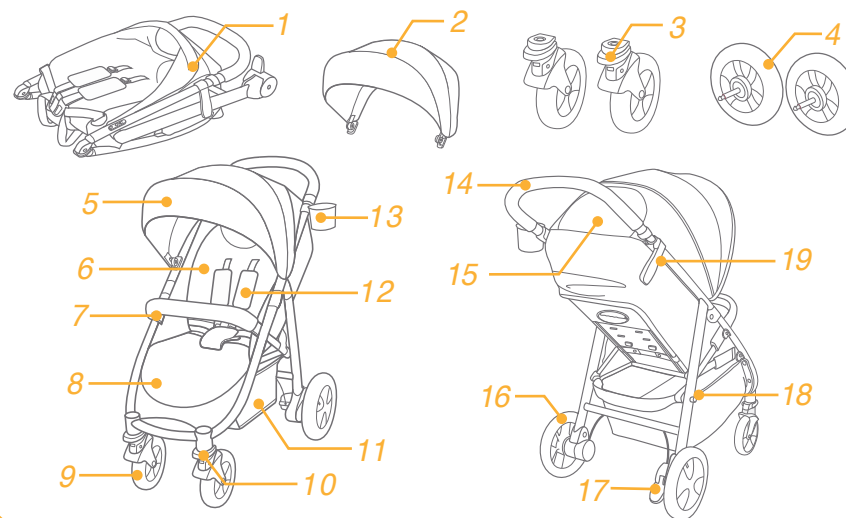
Перед использованием данного изделия прочтите все инструкции в настоящем руководстве. С вопросами обращайтесь в магазин, где было приобретено изделие. Некоторые элементы могут отличаться у различных моделей.

Изделие:	коляска Mytrax
Подходит для детей:	весом до 15 кг (с рождения до 36 месяцев)
Материалы:	пластик, металл, ткань
Номер патента:	патенты оформляются
Страна производства:	КНР
Марка:	Joie
Веб-сайт:	www.joiebaby.com
Производитель:	Joie Childrens Products (UK) Limited

Список деталей

Перед сборкой коляски проверьте наличие всех деталей. В случае отсутствия любых деталей обратитесь в магазин, где была приобретена коляска. Для сборки не требуются инструменты.

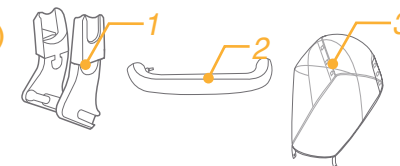
- | | | | |
|-------------------|----------------------------|--------------------|--------------------------|
| 1 Рама коляски | сиденья | 11 Вещевая корзина | 17 Педаль тормоза |
| 2 Козырек | 7 Поручень | 12 Плечевые ремни | 18 Зашелка для хранения |
| 3 Передние колеса | 8 Опора для ног | 13 Подстаканник | 19 Фиксатор для хранения |
| 4 Задние колеса | 9 Передние колеса | 14 Ручка | |
| 5 Козырек | 10 Фиксатор передних колес | 15 Окно в козырьке | |
| 6 Подкладка | колес | 16 Задние колеса | |



Принадлежности

(могут не входить в комплект поставки)

- 1 Адаптер (у некоторых моделей)
- 2 Чехол поручня (у некоторых моделей)
- 3 Дождевик (у некоторых моделей)



Принадлежности могут продаваться отдельно или не предлагаться в некоторых регионах.

ПРЕДУПРЕЖДЕНИЯ

- ! **ВНИМАНИЕ!** Всегда используйте систему фиксации. Необходимо надлежащим образом использовать ремни безопасности и систему фиксации.
- ! **ВНИМАНИЕ!** Прежде чем использовать коляску, убедитесь, что задействованы все фиксаторы.
- ! **ВНИМАНИЕ!** Не позволяйте ребенку играть с данным изделием.
- ! **ВНИМАНИЕ!** Перед использованием коляски убедитесь, что все крепежные устройства системы фиксации новорожденного ребенка задействованы надлежащим образом.
- ! Сборку должны осуществлять взрослые.
- ! В коляске допускается перевозить детей весом не более 15 кг. Перевозка в коляске детей большего веса может привести к ее повреждению.
- ! Во избежание опасности опрокидывания коляски не помещайте в вещевую корзину предметы весом более 4,5 кг.
- ! Подстаканник рассчитан на максимальный вес 0,5 кг (1 фунт).
- ! Категорически запрещается оставлять ребенка без присмотра. Ребенок, находящийся в коляске, должен быть всегда под присмотром.
- ! В коляске допускается перевозить только одного ребенка. Запрещается помещать на ручку и козырек кошельки, сумки, свертки и принадлежности.
- ! Не разрешается использовать принадлежности, не одобренные производителем коляски. Допускается использование только запасных частей, поставляемых или рекомендованных производителем коляски.
- ! Превышение допустимой нагрузки, неправильное складывание и использование деталей других производителей может привести к повреждению, поломке и снижению безопасности коляски. Пожалуйста, внимательно прочтите настоящее руководство по эксплуатации.
- ! Перед использованием данного изделия прочтите все инструкции в настоящем руководстве. Сохраните настоящее руководство по эксплуатации для использования в будущем. Несоблюдение этих предупреждений и инструкций может привести к причинению серьезного вреда здоровью или летальному исходу.
- ! Во избежание причинения серьезного вреда здоровью ребенка в результате падения или выскальзывания из коляски обязательно используйте ремни безопасности.
- ! Во время регулировки коляски тело ребенка не должно соприкасаться с какими бы то ни было подвижными деталями.
- ! Прежде чем подпускать ребенка к коляске, обязательно полностью разложите или сложите ее.
- ! Если ребенок не пристегнут ремнем, он может выскользнуть через нижнюю часть коляски, что может привести к удушению.
- ! Категорически запрещается использовать коляску на лестницах и эскалаторах.
- ! Коляску необходимо держать вдали от горячих предметов, жидкостей и электронных приборов.
- ! Никогда не разрешайте ребенку стоять на коляске, а также сидеть в

коляске лицом к передней части.

- ! Категорически запрещается помещать коляску на проезжую часть, уклоны и в другие опасные места.
- ! Во избежание удушения ЗАПРЕЩАЕТСЯ завязывать какие-либо предметы на шею ребенка, свешивать ленты и веревки с коляски, а также прикреплять веревки и ленты к игрушкам.
- ! Прикрепление любого груза к ручке к спинке или боковым частям коляски приведет к нарушению устойчивости коляски.
- ! ЗАПРЕЩАЕТСЯ поднимать коляску с находящимся в ней ребенком.
- ! ЗАПРЕЩАЕТСЯ помещать ребенка в вещевую корзину.
- ! Во избежание опрокидывания не позволяйте ребенку карабкаться по коляске. Усаживать и вынимать ребенка из коляски должен взрослый.
- ! Во избежание зажатия соблюдайте осторожность при складывании и раскладывании коляски.
- ! Во избежание причинения вреда здоровью ребенка не складывайте и не раскладывайте коляску вблизи ребенка.
- ! С целью обеспечения безопасности ребенка перед использованием коляски необходимо убедиться, что все детали собраны и закреплены надлежащим образом.
- ! Во избежание удушения удостоверьтесь, что козырек не касается ребенка.
- ! Остановив коляску, обязательно задействуйте тормоза.
- ! В случае повреждения или поломки коляски прекратите ее дальнейшее использование.
- ! Коляску допускается катить только со скоростью пешей ходьбы. Коляска не предназначена для использования во время бега.
- ! Во избежание ожогов не помещайте в подстаканник горячие жидкости.
- ! Во избежание удушья снимите с коляски пластиковую упаковку и другие упаковочные материалы перед использованием коляски. Храните пластиковые упаковочные материалы в местах, недоступных для маленьких детей.
- ! Данное изделие не предназначено для использования во время бега или катания на роликах.
- ! Для новорожденных спинку коляски рекомендуется опустить в самое низкое положение.
- ! Перед тем как помещать ребенка в коляску или извлекать его из коляски, необходимо задействовать тормоза.
- ! Удерживающая система для новорожденных в данной коляске не заменяет люльку или кроватку для новорожденных. Чтобы уложить ребенка спать, его необходимо перенести в подходящую лежащую коляску, люльку или кровать.
- ! Данная люлька-переноска предназначена только для детей, которые не могут сидеть самостоятельно, перекачиваться и подниматься на руках и коленях. Максимальный вес ребенка: 9 кг.
- ! НЕДОПУСТИМО использовать или добавлять какой-либо матрас, кроме матраса, входящего в комплект поставки данной люльки-переноски.

Сборка коляски

Перед сборкой и использованием коляски прочтите все инструкции в настоящем руководстве.

Раскладывание коляски

См. рисунки 1 - 2

Отсоедините фиксатор для хранения от защелки для хранения 1, затем поднимите ручку вверх 2. При полном раскладывании коляски должен прозвучать щелчок.

! Перед использованием удостоверьтесь, что коляска полностью зафиксирована в разложенном состоянии.

Сборка и установка передних колес

См. рисунки 3 - 4

Сборка и установка задних колес

См. рисунки 5 - 8

Сборка и установка поручня

См. рисунки 9 - 10

Сборка козырька

См. рисунки 11 - 12

Монтаж и демонтаж подстаканника

См. рисунки 13 - 14

Полностью собранная коляска показана на рисунке 15.

Использование коляски

Регулировка положения спинки

См. рисунки 16 - 17

Спинку можно установить под 4 углами наклона.

Опускание спинки

Чтобы откинуть спинку, сожмите ручку регулировки наклона на задней стороне спинки и потяните спинку вниз. 16

Поднятие спинки

Чтобы поднять спинку, переместите ее вверх. 17

! Установите подходящий для использования наклон спинки.

Использование пряжки

См. рисунки 18 - 19

Расстегивание пряжки.

Нажмите на центральную кнопку, чтобы расстегнуть пряжку. 18

Застегивание пряжки

Совместите пряжку на поясном ремне с пряжкой на плечевом ремне 19 - 1 и защелкните их в центральной пряжке. 19 - 2 Когда пряжка застегнется должным образом, прозвучит щелчок. 19 - 3

! Во избежание причинения серьезного вреда здоровью ребенка в результате падения или выскальзывания из коляски обязательно пристегивайте ребенка ремнем.

! Удостоверьтесь, что ремни плотно прилегают к телу ребенка. Расстояние между ребенком и плечевыми ремнями не должно превышать толщину ладони.

! Не перекрещивайте плечевые ремни. Это приведет к сдавливанию шеи ребенка.

Использование плечевых и поясных ремней

См. рисунки 20 - 23

! Во избежание выпадения ребенка из коляски, усадив его в коляску, удостоверьтесь, что плечевые и поясные ремни установлены на правильную высоту и имеют подходящую длину.

20 - 1 Фиксатор плечевого ремня А

20 - 2 Фиксатор плечевого ремня В

20 - 3 Регулятор длины ремня

Для ребенка большого роста используйте фиксаторы плечевых ремней А и верхние прорези для ремней. Для ребенка небольшого роста используйте фиксаторы плечевых ремней В и нижние прорези для ремней.

Для регулировки положения фиксатора плечевого ремня разверните его плашмя и торцом вперед. Проденьте фиксатор через прорезь для плечевого ремня сзади вперед. 21 Снова проденьте его через прорезь, расположенную ближе всего к плечам ребенка. 22

С помощью регулятора длины отрегулируйте длину ремня. 23 - 1

Нажмите на кнопку 23 - 2 и одновременно вытяните поясной ремень на требуемую длину. 23 - 3

Регулировка положения опоры для ног

См. рисунки 24

Опору для ног можно установить в 2 положения.

Чтобы поднять опору для ног, потяните ее вверх. Когда опора зафиксируется должным образом, прозвучит щелчок.

Чтобы опустить опору для ног, нажмите на регулировочные кнопки 24 - 1 по обоим ее бокам и опустите опору для ног вниз. 24 - 2

Использование фиксатора передних колес

См. рисунки 25

Переместите фиксаторы вращения передних колес вверх, чтобы заблокировать их в направлении движения. 25

Совет фиксаторы вращения передних колес рекомендуется использовать на неровных поверхностях.

Использование тормоза

См. рисунки 26 - 27

Чтобы заблокировать колеса, опустите ногой педаль тормоза вниз. 26

Чтобы разблокировать колеса, поднимите педаль тормоза вверх. 27

Совет

всегда задействуйте тормоз, если не перемещаете коляску.

Использование козырька

См. рисунки 28

Козырек можно разложить, сложить, переместить вперед и переместить назад.

Козырек можно разложить полностью, чтобы максимально защитить ребенка от солнца. Для этого расстегните молнию 28 и потяните козырек вперед.

На козырьке предусмотрено окно, через которое можно наблюдать за ребенком.

Регулировка положения ручки

См. рисунки 29

Использование накладок для плечевых ремней и пахового ремня

Накладки наплечных и поясных ремней можно снять. Чтобы надеть накладки на плечевые и поясные ремни выполните действия в обратном порядке.

Складывание коляски

См. рисунки 30 - 32

! Перед складыванием коляски необходимо сложить козырек.

1. Потяните вверх ручку для складывания, рама коляски автоматически сложится назад. 30 - 1

2. Фиксатор для хранения автоматически застегнется на защелке для хранения. После этого коляска будет полностью сложена и зафиксирована. 31

3. В сложенном состоянии коляска может стоять вертикально. 32

Использование принадлежностей

Принадлежности могут продаваться отдельно или не предлагаться в некоторых регионах.

Использование коляски с системой фиксации для новорожденных

См. рисунки 33 - 39

При использовании коляски с системой фиксации Joie для новорожденных следуйте приведенным ниже инструкциям.

! Перед использованием системы фиксации для новорожденных установите спинку в самое низкое положение и закрепите систему фиксации для новорожденных.

! В случае возникновения любых проблем при использовании системы фиксации для новорожденных, ознакомьтесь с руководством по эксплуатации этой системы.

! Не складывайте коляску с установленной системой фиксации для новорожденных.

Снятие и надевание деталей из ткани

См. рисунки 40 - 46

1. Снимите чехол с поручня, см. рисунок 40

2. Расстегните молнию на задней части козырька. 41

! Опустите спинку в самое низкое положение, чтобы облегчить снятие деталей из ткани.

3. Снимите чехол с опоры для ног. 42

4. Расстегните пряжку на нижней части сиденья. 43

5. Нажмите на кнопку и разверните опору так, чтобы было удобно снимать детали из ткани. 44 45

6. Нажмите на кнопку в нижней части ручки, затем снимите детали из ткани, потянув их назад. 46

Чтобы надеть детали из ткани выполните приведенные выше шаги в обратном порядке. 46 - 41

Использование с люлькой-переноской Joie

См. рисунки 47

При использовании с люлькой-переноской Joie Ramble соблюдайте следующие инструкции. 47

! В случае возникновения любых проблем при использовании люльки-переноски ознакомьтесь с руководством по эксплуатации люльки.

! При использовании люльки-переноски всегда используйте матрас.

! Не складывайте коляску с установленной люлькой-переноской.

Дождевик

Чтобы закрепить дождевик, натяните его на коляски и закрепите 8 липучек на коляске. 49

! Перед использованием дождевика, пожалуйста, убедитесь, что спинка была установлена в самое низкое положение и переноска закреплена.

! Пожалуйста, проверяйте вентиляцию при использовании дождевика.

! Перед тем как сложить дождевик, убедитесь что он чистый и сухой.

! Не складывайте коляску с дождевиком на ней.

! Не сажайте вашего ребенка в коляску с дождевиком в жаркую погоду.

Чистка и уход

См. рисунки 50

! Для чистки рамы коляски используйте только бытовое мыло и теплую воду. Не допускается использование отбеливателей и моющих средств. Пожалуйста, обратите внимание на этикетку, содержащую инструкции по чистке тканевых частей коляски.

! Время от времени проверяйте коляску на предмет наличия ослабленных винтовых соединений, изношенных деталей, разрыва ткани и швов. Производите замену или ремонт деталей по необходимости. Время от времени протирайте пластиковые части мягкой мокрой тканью. Если коляска мокрая, всегда протирайте насухо металлические части, чтобы предотвратить коррозию, если коляска мокрая.

! Чрезмерное воздействие солнечного света может повлечь выцветание и деформацию деталей изделия.

! Если коляска намочена, разложите козырек и дайте коляске полностью высохнуть, прежде чем помещать ее на хранение.

! Если колеса скрипят, слегка смажьте их (например, силиконовым спреем, маслом от ржавчины или маслом для швейных машин). Необходимо нанести масло на ось и во втулку колеса. 50

! После использования коляски на пляже или в других местах, где имеется песок или пыль, полностью очистите коляску, чтобы удалить песок и соль с механизмов и колес.

AR مرحباً بك في عالم Joie™

تهانينا لانضمامك إلى عائلة Joie! إننا في غاية السعادة لإشراكنا في رحلتك مع طفلك الصغير. أثناء القيادة بضمن نظام Mytrax™ من Joie أقصى درجات السلامة لعرية أطفال عالية الجودة وأمنة بالكامل، كما أنه مطابق لمعايير السلامة الأوروبية رقم EN 1888:2012، ويرجى العلم بأنه من الممكن استخدام المنتج مع الأطفال الذين يقل وزنهم عن 15 كجم. يُرجى قراءة التعليمات الواردة في هذا الدليل بعناية واتباع كل خطوة فيه لضمان قيادة مريحة وتوفير أفضل حماية لطفلك.

هام - يرجى الاحتفاظ بهذه التعليمات للرجوع إليها مستقبلاً.

زوروا موقعنا الإلكتروني joiebaby.com لتحميل أدلة الاستخدام ومشاهدة منتجات Joie المشوقة!

لمعلومات عن الضمان، يُرجى زيارة موقع الويب الخاص بنا على joiebaby.com

معلومات المنتج

اقرأ كل التعليمات الواردة في هذا الدليل قبل استخدام هذا المنتج. فإن كان لديك أية استفسارات يُرجى الرجوع إلى الموزع للاستشارة. قد تختلف بعض مزايا المنتج وفقاً للطرز.

عربة الأطفال Mytrax للأطفال ممن يقل وزنهم عن 15 كجم (منذ الميلاد حتى 36 شهراً)	المنتج مناسبة للاستخدام مع الخامات
في انتظار الحصول على براءة اختراع Joie www.joiebaby.com	براءة الاختراع رقم: صُنعت في اسم العلامة التجارية الموقع الإلكتروني الجهة المصنعة
شركة Joie المحدودة لمنتجات الأطفال (المملكة المتحدة)	

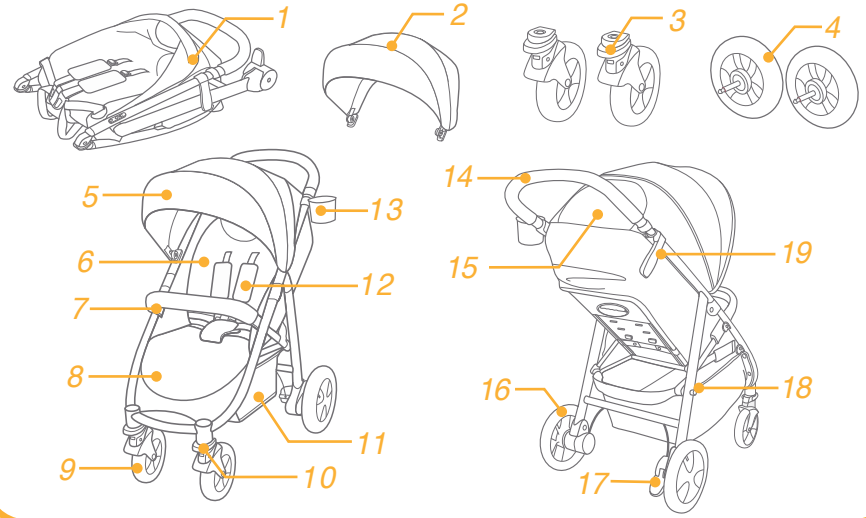
المحتويات

1-10	للعشال
93	تحذير
95	تركيب عربة الأطفال
95	فتح العربة
95	تركيب وفك العجلات الأمامية
95	تركيب وفك العجلات الخلفية
95	تركيب وفك غطاء الذراع
95	تركيب المظلة
95	جمع و تفكيك حامل الأكواب
95	تشغيل العربة
95	ضبط مسند الظهر
96	استخدام إبزيم الحزام
96	استخدام أحزمة الكتف والخصر
96	ضبط مسند الساق
96	استخدام القفل الدوار الأمامي
96	استخدام المكابح
97	استخدام المظلة
97	ضبط المقيض
97	استخدام غطاء حزام الكتف وغطاء الحزام المفروق للساقين
97	طّي العربة
97	استخدام الملحقات
98	فك وتركيب الأجزاء اللينة
98	التنظيف والصيانة

قائمة الأجزاء

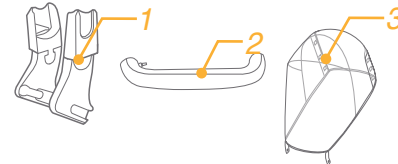
يرجى التأكد من توافر كل الأجزاء قبل التركيب. في حالة فقدان أحد مكونات العربة، يُرجى الاتصال بالموزع المحلي. لا داع لاستخدام أية أدوات لتر كيب المقعد.

13 حامل الأكواب	7 ذراع	1 إطار العربة
14 المقيض	8 دعامة القدمين	2 مظلة
15 نافذة المظلة	9 عجلة أمامية	3 عجلة أمامية
16 عجلة خلفية	10 قفل دوار	4 عجلة خلفية
17 ذراع المكبح	11 سلة التخزين	5 مظلة
18 فتحة التخزين	12 حزام الكتف	6 وسادة المقعد
19 مزلاج التخزين		



الملحقات

(قد لا تكون مرفقة)



- 1 المهايي (متوفر في بعض الموديلات)
- 2 غطاء الذراع (مخصص لطرزات معينة)
- 3 غطاء المطر (مخصص لطرزات معينة)

قد تباع الملحقات بمفردها أو قد تكون غير متاحة حسب المنطقة.

تحذير

- ! تحذير: احرص دائماً على استخدام نظام تقييد حركة الطفل. يجب استخدام أحزمة الأمان ونظام تقييد الحركة استخداماً صحيحاً.
- ! "تحذير" تأكد من تأمين الأقفال كافة قبل الاستخدام.
- ! "تحذير" لا تدع الأطفال يعيثون بهذا المنتج.
- ! تحذير: تحقق من تعشيق أجهزة تثبيت نظام تقييد حركة الطفل بشكل صحيح قبل الاستخدام.
- ! يجب قيام شخص بالغ بتركيب الكرسي.
- ! استخدم عربة الأطفال هذه مع الأطفال الذين يقل وزنهم عن 15 كجم. حيث إن استخدام العربة لحمل طفل زائد الوزن سيؤدي إلى تلفها.
- ! لتفادي الحالات الخطرة أو غير المستقرة، لا تضع عناصر يزيد وزنها على 4.5 كجم في سلة التخزين.
- ! الحد الأقصى للوزن الموصى به في حامل الأكواب هو رطل واحد (0.5 كجم).
- ! يحظر بنائاً ترك طفلك دون مراقبة. لذا احرص دائماً على مراقبة الطفل عند وضعه في العربة.
- ! استخدم العربة لحمل طفل واحد فقط في كل مرة. ويحظر وضع حقائب اليد أو حقائب التسوق أو الطرود أو الإكسسوارات على المقبض أو الغطاء.
- ! يمنع استخدام الملحقات غير المعتمدة من الجهة المصنعة. يمكن استخدام فقط قطع الغيار المعتمدة أو الموصى بها من قبل المصنّع.
- ! قد يتسبب الحمل الزائد أو محاولة طيّ العربة بطريقة غير صحيحة أو استخدام قطع غيار من إنتاج جهات تصنيع أخرى في تلف العربة أو كسرها أو جعلها غير آمنة للاستخدام. يُرجى الاطلاع على دليل التعليمات بعناية.
- ! يُرجى قراءة كل التعليمات الواردة في هذا الدليل قبل استخدام المنتج. كما يرجى الاحتفاظ بهذا الدليل لاستخدامه في المستقبل. قد يؤدي عدم مراعاة هذه التحذيرات واتباع التعليمات إلى وقوع إصابات بالغة أو الوفاة.
- ! احرص على استخدام حزام الأمان دائماً لتفادي وقوع الإصابات البالغة الناتجة عن الوقوع أو الانزلاق.
- ! تأكد من ابتعاد جسد طفلك عن الأجزاء المتحركة عند ضبط العربة.
- ! تأكد من أن العربة مفتوحة تماماً أو مطوية تماماً قبل اقتراب الطفل منها.
- ! في حالة عدم استخدام الحزام قد ينزلق الطفل إلى فتحات الساق ومن ثم يتسبب ذلك في اختناقه.
- ! يُحظر استخدام عربة الأطفال على درج أو سلالم كهربائية.
- ! احرص على إبعاد العربة عن مصادر الحرارة المرتفعة أو السوائل أو الأجهزة الإلكترونية.
- ! يُحظر وقوف الطفل على العربة أو جلوسه بداخلها عندما تكون رأسه متجه ناحية المقدمة.
- ! يُحظر وضع عربة الأطفال على الطرق أو المنحدرات أو المناطق الخطرة.
- ! لتفادي الاختناق، تجنب وضع أي أجسام مزودة بسلاسل حول رقبة الطفل أو قم بفصل السلاسل عن المنتج أو ربطها في الألعاب.
- ! أي حمولة مركبة على المقبض أو على الجزء الخلفي من مسند الظهر أو في جانبي العربة يؤثر على استقرار العربة.

! تجنب رفع العربة إذا كان الطفل بداخلها.

! تجنب وضع الطفل داخل سلة التخزين.

! لتفادي ميل العربة، احرص على عدم تسلق الطفل لها. ارفع طفلك داخل العربة أو خارجها دائماً.

! لتجنب انحسار الأصابع، احرص على طيّ العربة أو بسطها بعناية.

! تأكد من إبعاد طفلك عند بسط العربة أو طيها لتجنب إلحاق أي ضرر به.

! لضمان سلامة طفلك، يُرجى التأكد من تركيب كل المكونات وإحكام ربطها جيداً قبل استخدام العربة.

! لتجنب اختناق طفلك، تأكد من إبعاده عن الغطاء.

! احرص على تأمين المكابح عند وقوف العربة.

! احرص على عدم استخدام العربة في حال تعرضها للتلف أو الكسر.

! يجب استخدام العربة بسرعة المشي فقط. هذا المنتج غير مُصمم للاستخدام أثناء الركض.

! لتجنب وضع سوائيل ساخنة في حامل الأكواب لتفادي الإصابة بحروق.

! لتجنب الاختناق، أزل الكيس البلاستيكي ومواد التغليف قبل استخدام هذا المنتج. واحتفظ بهما بعيداً عن تناول الأطفال والرضع.

! هذا المنتج غير مناسب للاستخدام أثناء الجري أو التزلق.

! صُممت عربة الأطفال لاستخدامها منذ لحظة الولادة، ويفضل استخدام وضعية الانحناء المُصممة خصيصاً للأطفال حديثي الولادة.

! يجب تأمين المكابح عند وضع الطفل في العربة وإخراجه منها.

! لا تُعتبر هذه العربة بديلاً عن سرير الطفل أو مهده عند استخدامها مع أنظمة تقييد حركة الطفل المقترنة بهيكل السيارة. وفي حالة رغبة الطفل في النوم، يجب وضعه في حقيبة حمل أو فراش أو سرير ملائم.

! لا تُستخدم حقيبة حمل الطفل إلا مع الأطفال غير القادرين على الجلوس بدون دُعامة وكذلك غير القادرين على دفع أنفسهم لأعلى. الحد الأقصى لوزن الطفل: 9 كجم.

! تجنب وضع أي مفارش أو حشوات غير المثبتة بحقيبة حمل الطفل.

استخدام إبريزم الحزام

راجع الصور من 18 - 19

تحرير الإبريزم

اضغط على الزر الموجود بمنطقة الوسط لتحرير الإبريزم. 18

غلق الإبريزم

طابق إبريزم حزام الوسط وإبريزم حزام الكتف 1 - 19، واضغط على الإبريزم الأوسط. 2 - 19، عند سماع صوت "طقطقة" فهذا يشير إلى غلق الإبريزم بالكامل. 3 - 19

! لتفادي وقوع إصابات بالغة ناجمة من الوقوع أو الانزلاق، احرص دائماً على تأمين طفلك باستخدام الحزام. ! تأكد من تثبيت طفلك بإحكام. ! تأكد من أن المسافة بين الطفل وحزام الكتف تساوي سُمك يد واحدة تقريباً. ! تجنب ربط أحزمة الكتف بالتقاطع؛ حيث سيؤدي هذا إلى الضغط على رقبة الطفل.

استخدام أحزمة الكتف والخصر

راجع الصور من 20 - 23

! لحماية طفلك من السقوط، تحقق من ملاءمة طول وارتفاع أحزمة الكتف والخصر بعد وضع الطفل على المقعد.

1 - 20 مثبت حزام الكتف من النوع A

2 - 20 مثبت حزام الكتف من النوع B

3 - 20 ضابطة الانزلاق

A والفتحات العلوية للحزام مع الأطفال ذوي الحجم الكبير. استخدم مثبت حزام الكتف من النوع B والفتحات السفلية للحزام مع الأطفال ذوي الحجم الصغير. استخدم مثبت حزام الكتف من النوع

لضبط وضع مثبت حزام الكتف، أدر المثبت ليكون في نفس مستوى الجانب المتجه للأمام. أدخل الحزام عبر فتحة حزام الكتف من الخلف إلى الأمام. وأعد إدخاله من خلال الفتحة الأقرب لمستوى ارتفاع كتف الطفل، كما في الصورة 21 22

استخدم ضابطة الانزلاق لتغيير طول الحزام. 1 - 23

اضغط على الزر 2 - 23، أثناء سحب حزام الخصر للوصول إلى الطول المناسب. 3 - 23

ضبط مسند الساق

راجع الصور من 24

توجد وضعيتان لمسند الساق.

لرفع مسند الساق، ارفعه لأعلى. عند سماع صوت "طقطقة" فهذا يشير إلى غلق المسند بالكامل.

لخفض مسند القدمين، قم بالضغط على أزرار الضبط الموجودة على كلا جانبيه 1 - 24، ثم قم بتدوير المسند إلى أسفل. 2 - 24

استخدام القفل الدوار الأمامي

راجع الصور من 25

اسحب الأقفال الأمامية الدوارة لأعلى للحفاظ على اتجاه الحركة. 25

يوصى

باستخدام الأقفال الدوارة مع الأسطح غير المستوية.

استخدام المكابح

راجع الصور من 26 - 27

لإيقاف حركة العجلات، اضغط على لسان المكبح لأسفل. 26

لتحرير حركة العجلات، ما عليك سوى رفع لسان المكبح. 27

يوصى

احرص دائماً على تأمين المكابح عند وقوف العربة.

تركيب عربة الأطفال

يُرجى قراءة كل التعليمات الواردة في هذا الدليل قبل تركيب المنتج واستخدامه.

فتح العربة

راجع الصور من 1 - 2

فصل مزلاج التخزين عن حامل التخزين، ثم رفع المقبض لأعلى، حتى يصدر عنه صوت نقر يدل على فتح العربة بالكامل.

! تحقق من غلق مزلاج العربة بالكامل قبل المتابعة.

تركيب وفك العجلات الأمامية

راجع الصور من 3 - 4

تركيب وفك العجلات الخلفية

راجع الصور من 5 - 8

تركيب وفك غطاء الذراع

راجع الصور من 9 - 10

تركيب المظلة

راجع الصور من 11 - 12

جمع و تفكيك حامل الأكواب

راجع الصور من 13 - 14

تعليمات تركيب العربة بالكامل موضحة في الصورة 15

تشغيل العربة

ضبط مسند الظهر

راجع الصور من 16 - 17

صُمم مسند الظهر بأربع زوايا إمالة.

إمالة مسند الظهر

لإمالة مسند الظهر إلى الخلف، اضغط على مقبض الإنحناء الموجود خلف المقعد، واسحب مسند الظهر لأسفل. 16

رفع مسند الظهر

لرفع مسند الظهر، اسحبه لأعلى. 17

! تأكد من أن وضع الإنحناء صالح للاستخدام

فك وتركيب الأجزاء اللينة

راجع الصور من 40 - 46

1. إزالة غطاء الذراع الموضح 40
 2. فتح السوستة الموجودة في اللوحة الخلفية للمظلة. 41
 - ! قم بضبط مسند الظهر على أدنى وضع للراحة لإزالة الأجزاء اللينة.
 3. قم بإزالة الغطاء الداعم للسانق. 42
 4. قم بفتح الإبزيم الموجود أسفل المقعد. 43
 5. اضغط على الزر وقم بتدوير كتلة الدعم للراحة في إزالة الأجزاء اللينة. 44 45
 6. اضغط على الزر الموجود أسفل المقبض، ثم قم بدفع الأجزاء اللينة للخلف لإزالتها. 46
- إعادة تركيب الأجزاء اللينة من المقعد، اتبع الخطوات المذكورة بأعلى بترتيب عكسي 46 - 41

الاستخدام مع حقيبة حمل الطفل التي تنتجها Joie

أنظر الصور 47

عند التجوال باستخدام حقيبة حمل الطفل من طراز Joie، يرجى اتباع التعليمات التالية. 47

! يُرجى الرجوع إلى دليل التعليمات الخاص بحقيبة حمل الأطفال، عند مواجهة أية مشكلة أثناء استخدامها.

! استخدم العربة باستمرار عند استعمال حقيبة حمل الطفل.

! يرجى عدم طي العربة عند تركيب حقيبة حمل الطفل.

استخدام غطاء المطر

أنظر الصور 49

لتجميع غطاء المطر ضعه فوق العربة ثم ثبت 8 أزواج من مثبتات الخفاف والحلقة على غطاء المطر 49

قبل استخدام غطاء المطر تأكد من أن مسند الظهر قد تم ضبطه في الوضع السفلي ومقعد الطفل الخاص بالسيارة قد تم تثبيته.

! عند استخدام غطاء المطر تأكد دائما من توافر التهوية.

! في حالة عدم الاستخدام تأكد أن غطاء المطر قد تم تنظيفه وتجفيفه قبل تطبيقه.

! تجنب طي العربة بعد تجميع غطاء المطر.

! لا تضع الطفل في العربة مع تجميعها بغطاء المطر في الطقس الساخن.

التنظيف والصيانة

راجع الصور من 50

! يمكن غسل وسادة المقعد القابلة للإزالة بالماء البارد ثم تركها لتجف. يحظر استخدام المبيضات. يُرجى الرجوع إلى ملصق العناية للحصول على تعليمات حول تنظيف قطع قماش العربة.

! لتنظيف هيكل العربة، استخدم الصابون المنزلي والماء الدافئ فقط. تجنب استخدام المبيضات أو المنظفات القوية. امسح الأجزاء البلاستيكية ونظفها بصورة دورية باستخدام قطعة قماش مبللة. قم بتجفيف الأجزاء المعدنية دائما لتجنب تكوين الصدأ، في حالة تعرض العربة للماء. ! قد يتسبب التعرض المفرط لأشعة الشمس أو الحرارة في تلف أجزاء العربة أو تشويهها.

! في حالة بلل عربة الأطفال، افتح الغطاء واتركها لتجف جيدا قبل تخزينها.

! في حال سماع صوت صرير من العجلات، استخدم زيتا خفيفا (مثل بخاخ السيليكون أو زيت منع الصدأ أو بخاخ التلميع المنزلي أو زيت ماكينة الخياطة). ويوصى بوضع الزيت داخل تركيبات العجلات والمحور. 50

! عند استخدام عربة الأطفال على الشاطئ أو على أي بيئة رملية/ملبية بالغبار، احرص على تنظيف تركيبات العجل والمعدن من الرمال والملح جيدا بعد الاستخدام.

استخدام المظلة

راجع الصور من 28

يمكن فتح المظلة أو طيها، قم بسحبها نحو الأمام أو الخلف.

يمكن فتح الغطاء تماما لحماية طفلك من أشعة الشمس، حيث إن كل ما عليك فعله هو فك السوستة 28، ثم اسحب الغطاء في الاتجاه الأمامي.

هناك نافذة على المظلة، يمكنك من خلالها مشاهدة طفلك.

ضبط المقبض

راجع الصور من 29

استخدام غطاء حسام الكتف وغطاء الحزام المفرق للسائقين

يمكن فصل غطاء حزام الكتف أو غطاء مفرق السائقين من النسيج. لتركيب غطاء حزام الكتف وغطاء المفرق للسائقين بخطوات عكسية.

طيّ العربة

راجع الصور من 30 - 32

! يرجى طيّ الغطاء قبل طيّ العربة.

1. اسحب أشرطة حزام الطي لأعلى، وسيتم طي الإطار تلقائيا إلى الخلف. 1 - 30
2. وهنا سيتعلق مزلاج التخزين بصورة أوتوماتيكية بمزلاج التثبيت، ثم تُطوى العربة بالكامل ويُحكم إغلاقها. 31
3. يمكن إيقاف العربة وهي مطوية. 32

استخدام الملحقات

قد تباع الملحقات بشكل مفرد أو قد لا تكون متاحة وفقا للمنطقة.

الاستخدام مع نظام تقييد حركة الطفل الرضيع

راجع الصور من 33 - 39

عند الاستخدام مع نظام Gemm لتقييد حركة الطفل من Joie، يُرجى اتباع التعليمات التالية:

! تأكد من ضبط نظام تقييد حركة الطفل على الوضع السفلي وتثبيت نظام تقييد حركة الطفل، وذلك قبل استخدام الغطاء.

! يُرجى الرجوع إلى دليل التعليمات الخاص بنظام تقييد حركة الطفل، عند مواجهة أية مشكلة أثناء استخدامها.

! برجاء عدم طي العربة في الوقت الذي لا يزال فيه نظام تقييد حركة الطفل مركبا.



Joie Children's Products (UK) Ltd,
Venture Point, Towers Business Park
Rugeley, Staffordshire, WS15 1UZ

bring the kids™

Share the joy at joiebaby.com

P-IM0272E