

Joie™

Mytrax™ flex

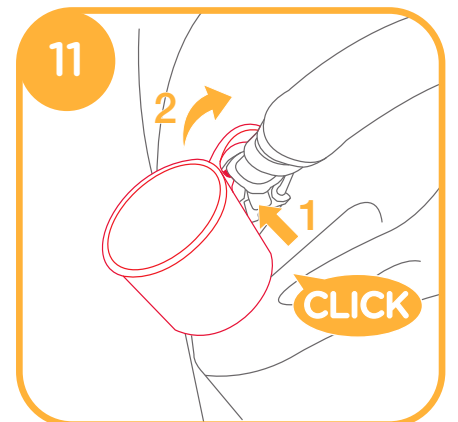
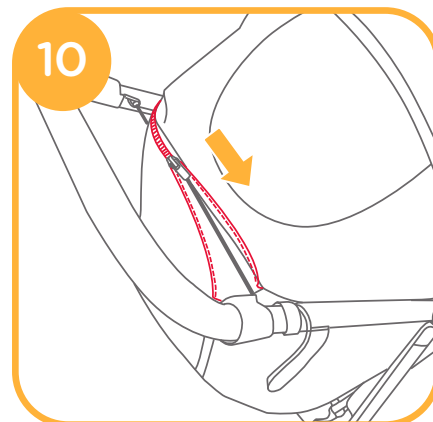
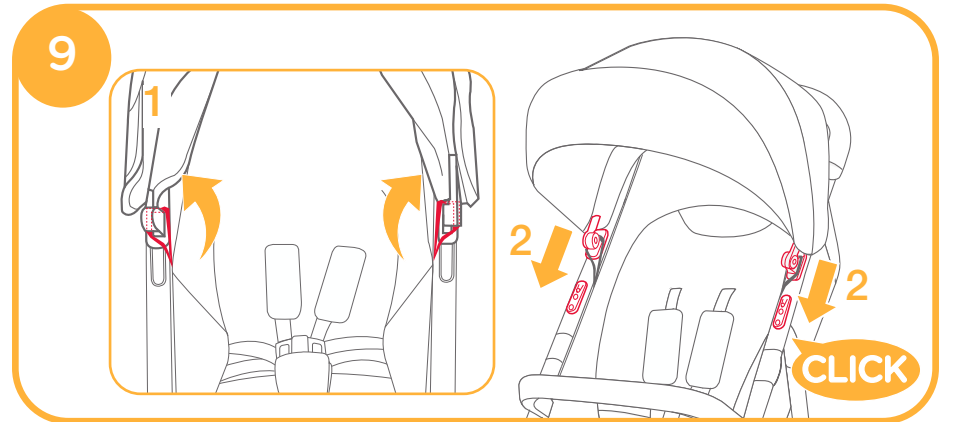
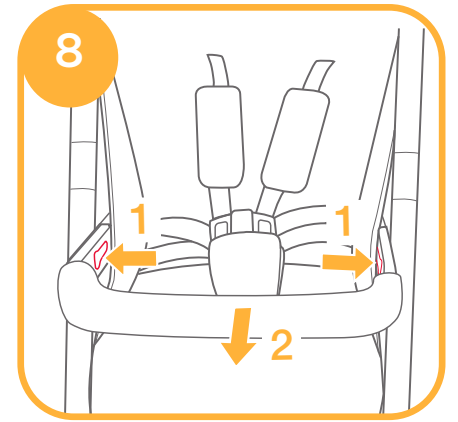
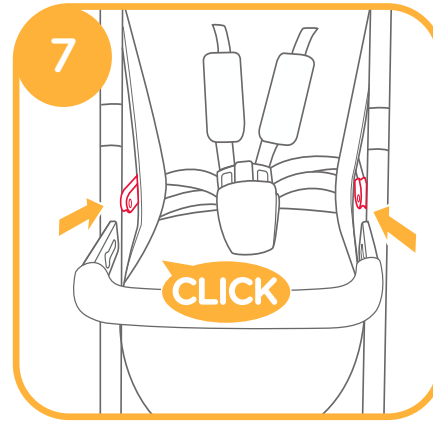
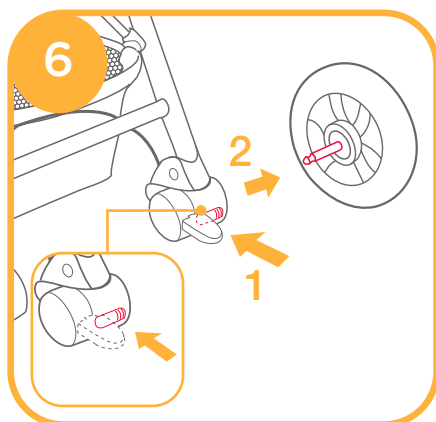
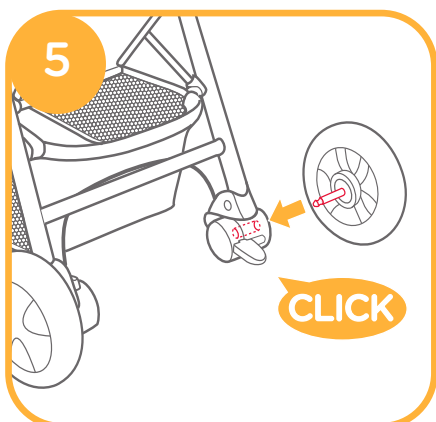
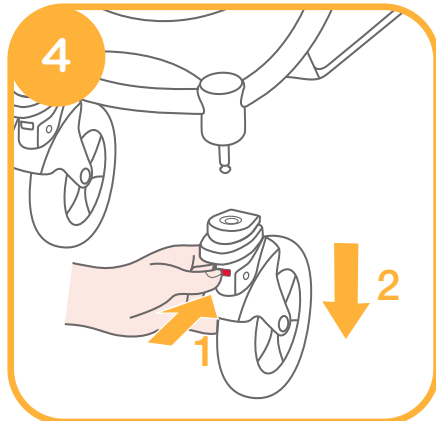
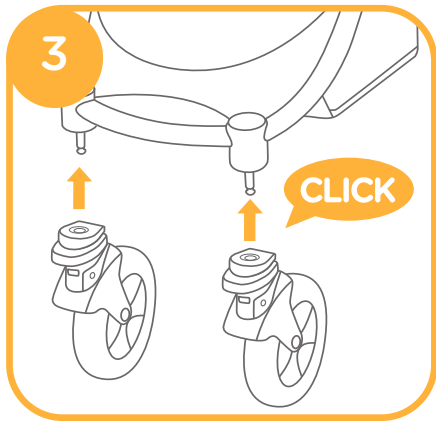
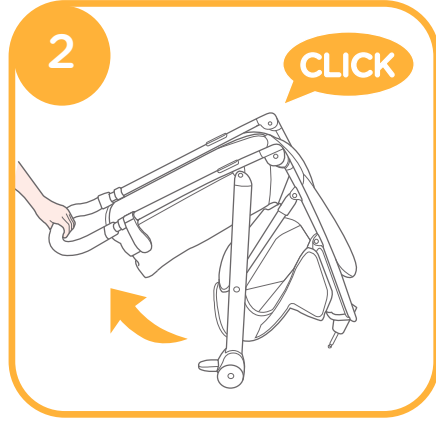
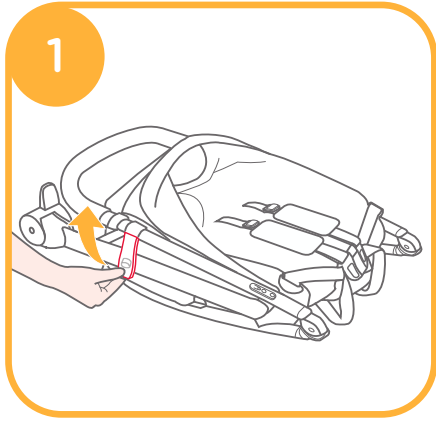
stroller

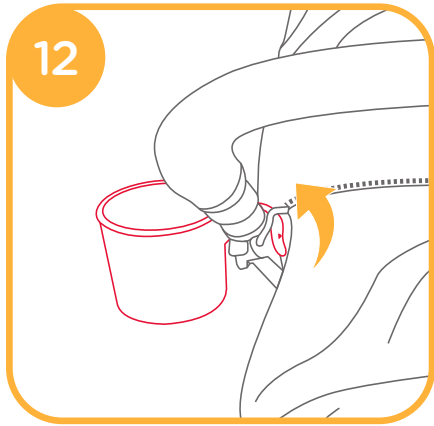
- GB Instruction Manual
- FR Manuel d'utilisateur
- DE Bedienungsanleitung
- ES Manual de instrucciones
- PT Manual de Instruções
- PL Instrukcja obsługi
- IT Manuale di istruzioni
- NL Handleiding
- TR Kullanma kılavuzu
- RU Руководство по эксплуатации
- CZ Návod k obsluze
- SK Návod na použitie
- AR دليل التعليمات
- CH 說明書
- ZH 说明书
- HU Kezelési kézikönyv



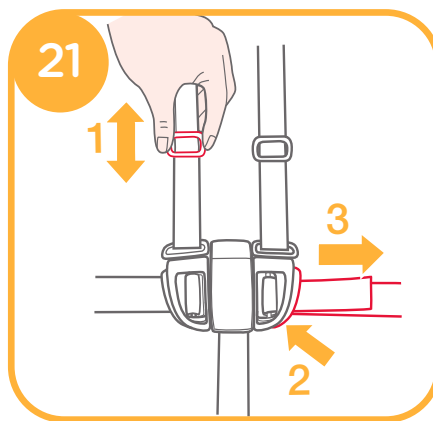
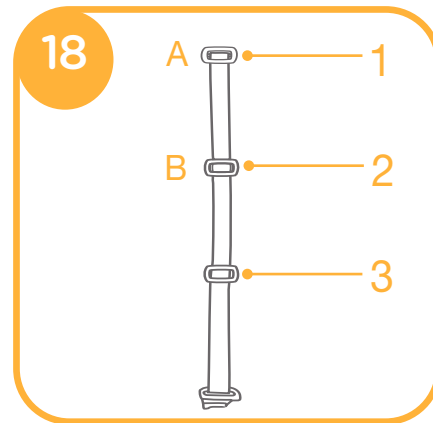
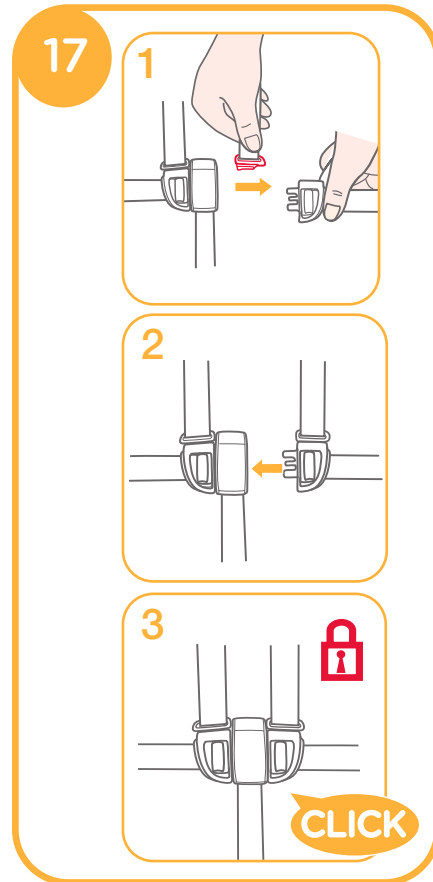
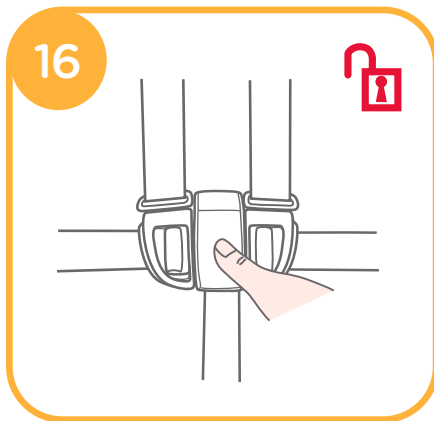
IMPORTANT - READ CAREFULLY AND KEEP FOR FUTURE REFERENCE.

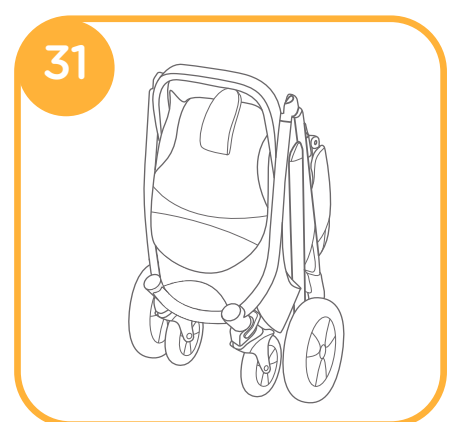
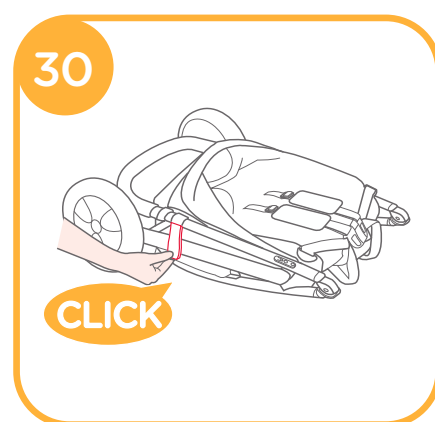
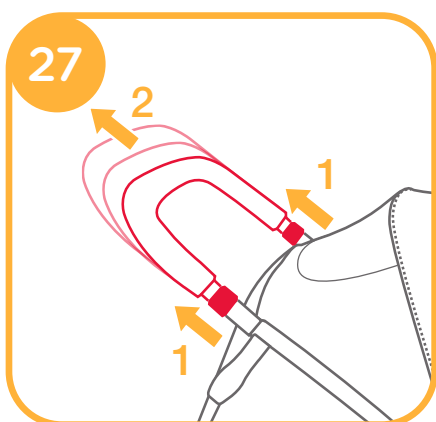
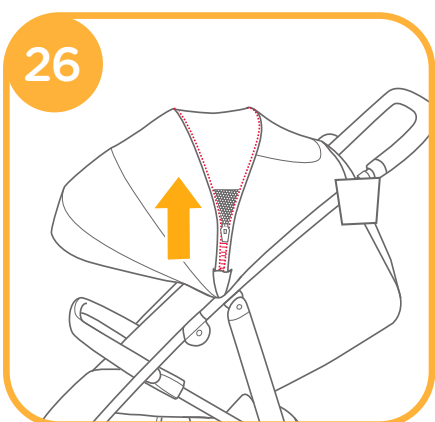
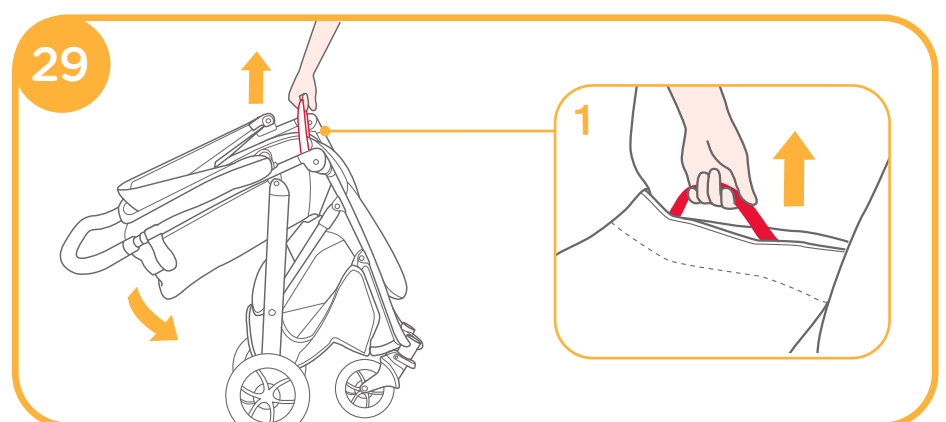
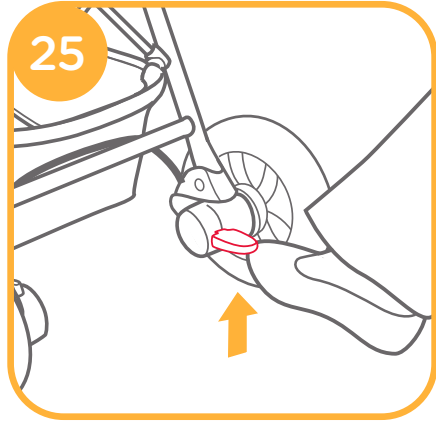
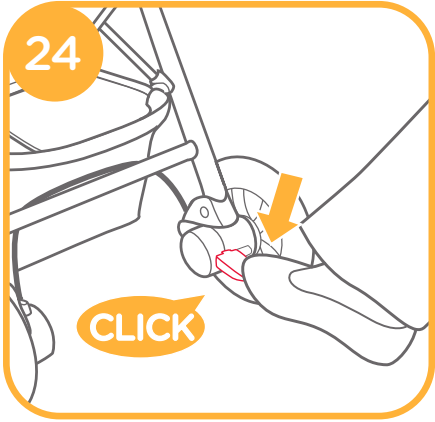
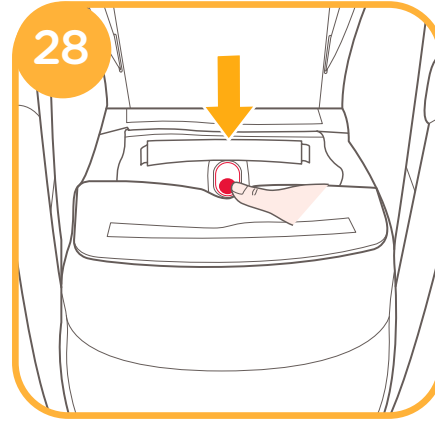
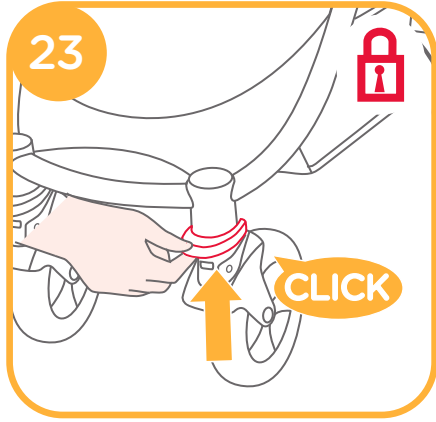
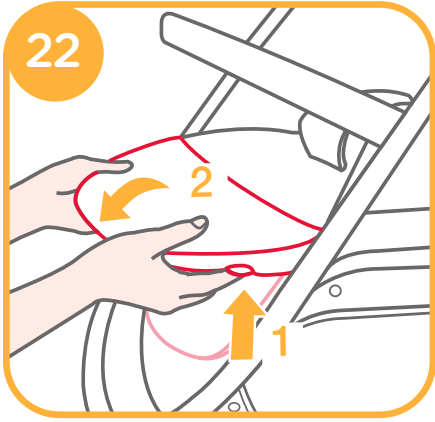
Stroller Assembly





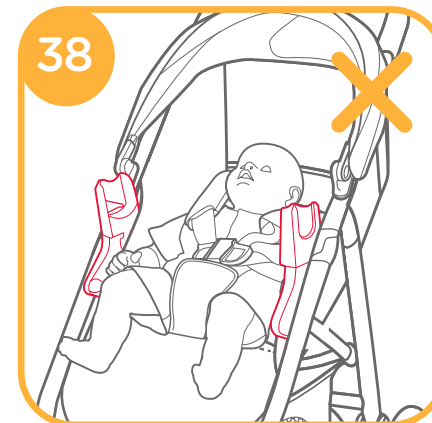
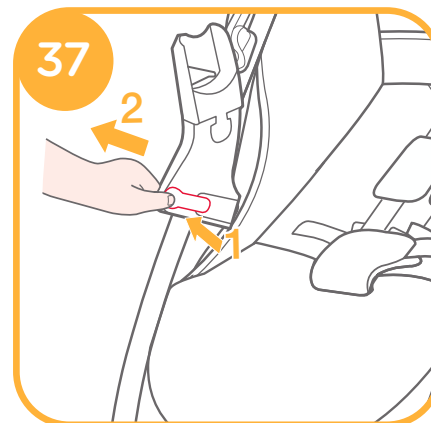
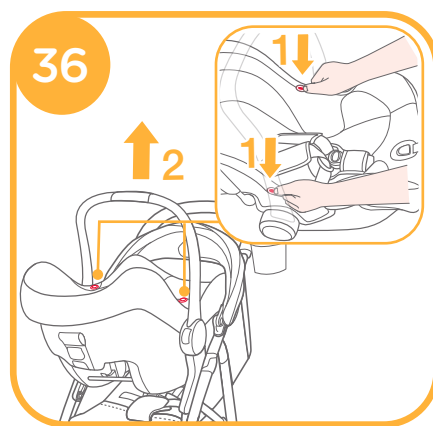
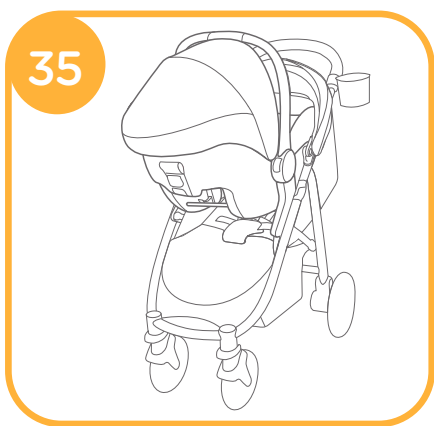
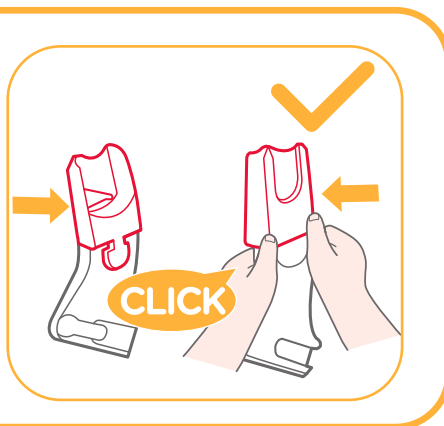
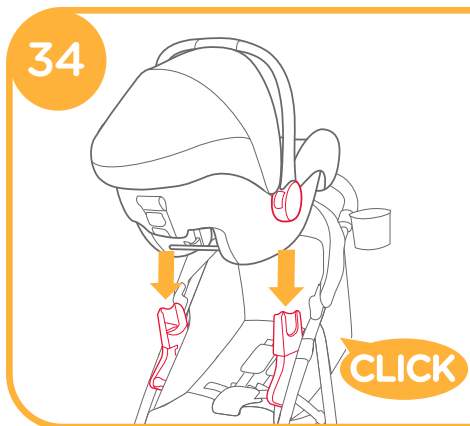
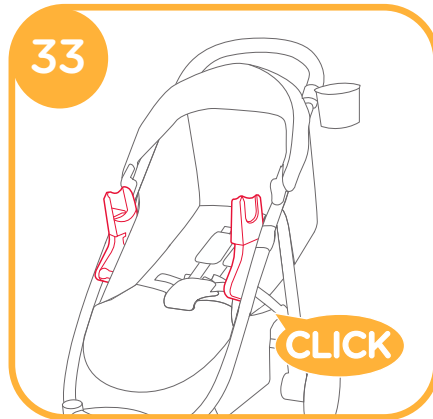
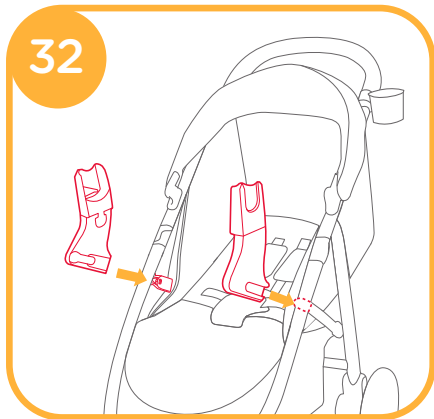
Stroller Operation



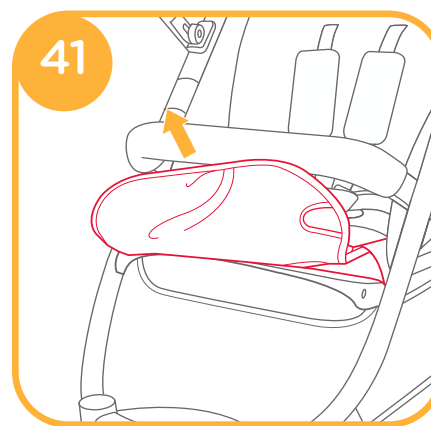
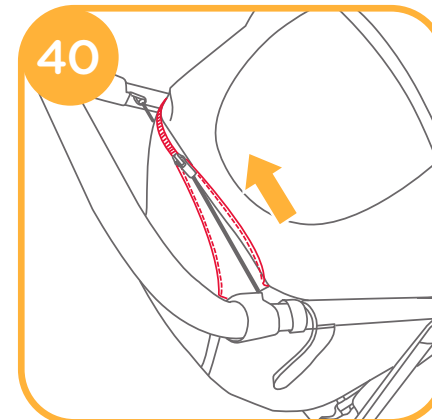
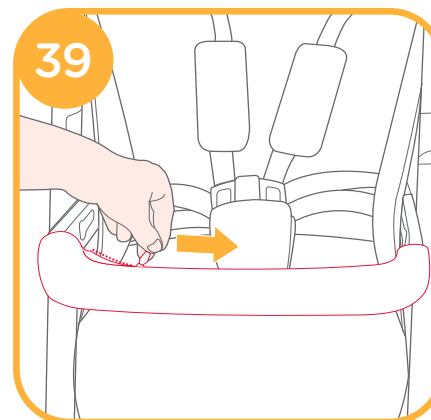


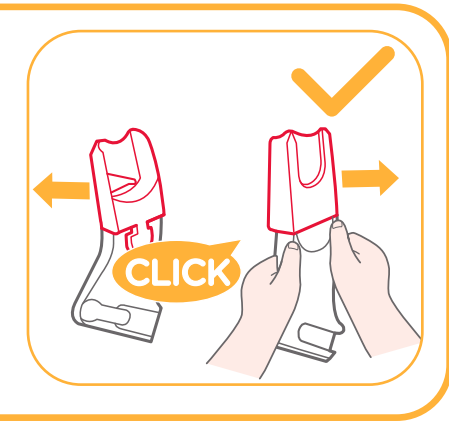
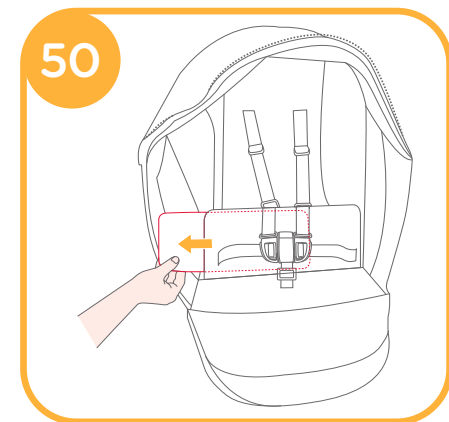
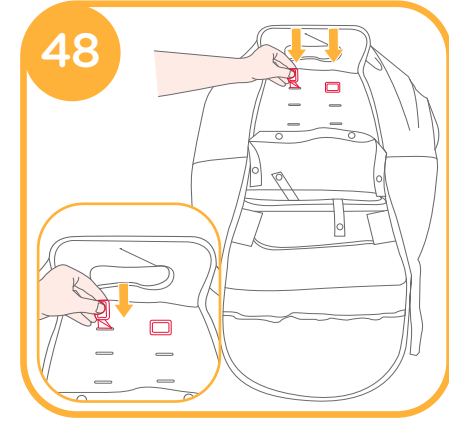
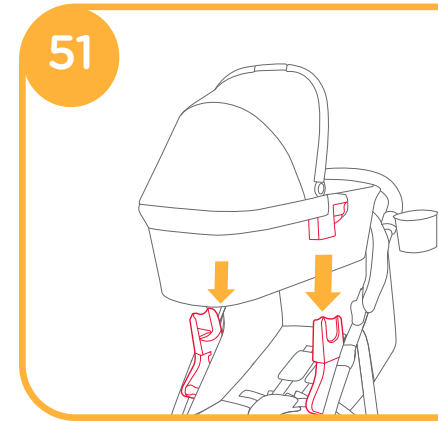
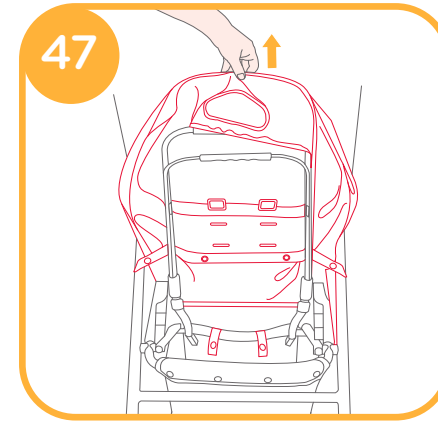
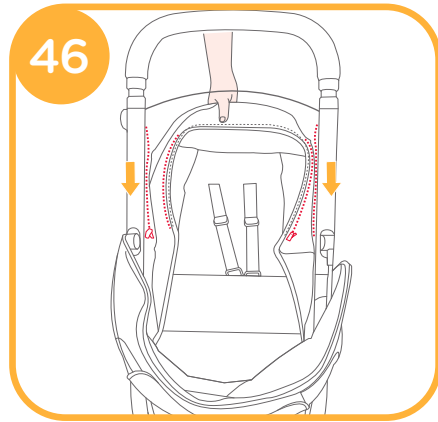
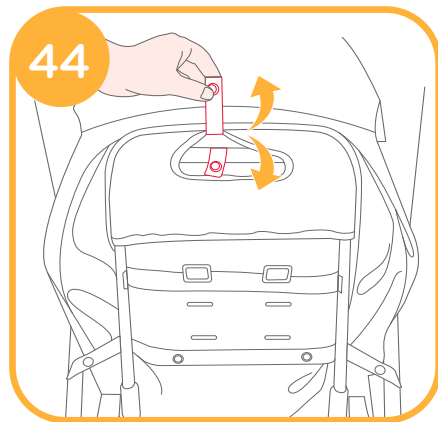
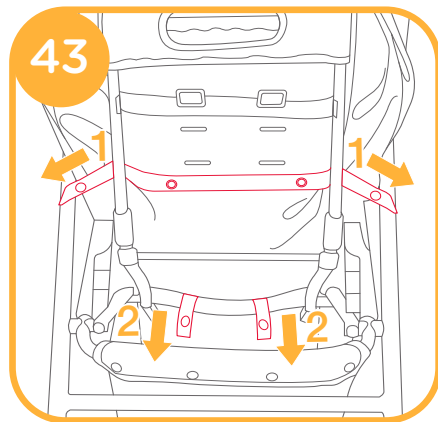
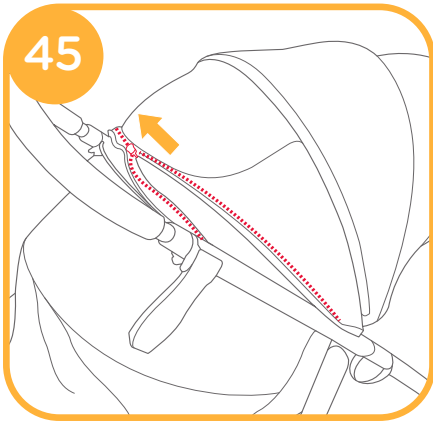
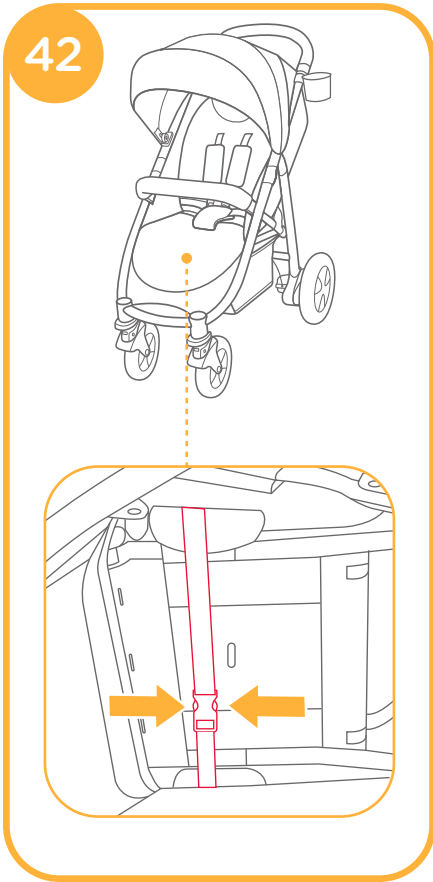
Accessories (May not be included in purchase)

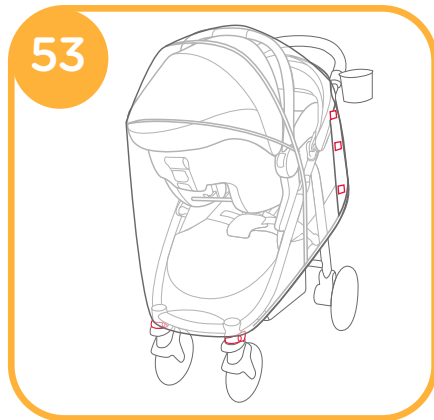
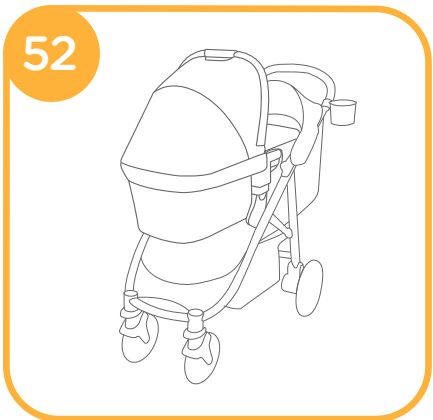
Accessories may be sold separately or may not be available depending on region.



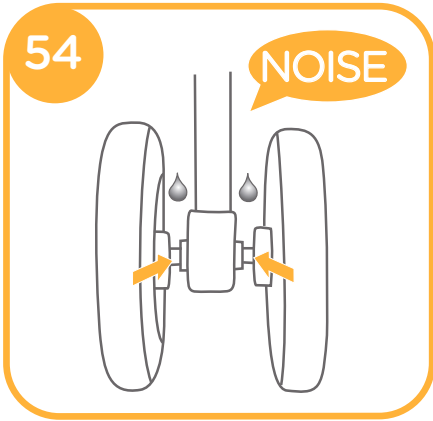
Removing Soft Goods







Care and Maintenance



GB Welcome to Joie™

Congratulations on becoming part of the Joie family! We are so excited to be part of your journey with your little one. While traveling with the Joie Mytrax™ flex, you are using a high quality, fully certified stroller, approved to European safety standards EN 1888-2:2018. This product is suitable for children up to 22kg or 4 years whichever comes first. Please carefully read this manual and follow each step to ensure a comfortable ride and best protection for your child.

IMPORTANT - READ CAREFULLY AND KEEP FOR FUTURE REFERENCE.

Visit us at joiebaby.com to download manuals and see more exciting Joie products!

For warranty information, please visit our website at joiebaby.com

Contents

Figures	1-11
WARNING	17
Stroller Assembly	20
Open Stroller	20
Assemble & Detach Front Wheel	20
Assemble & Detach Rear Wheel	20
Assemble & Detach Armbar	20
Assemble Canopy	21

Assemble & Detach Cupholder	21
Stroller Operation	21
Adjust Backrest	21
Use Buckle	21
Use Shoulder & Waist Harnesses	22
Adjust Calf Support	23
Use Front Swivel Lock	23
Use Brake	23
Use Canopy	23
Adjust Handle	24
Use Shoulder Harness Cover and Crotch Harness Cover	24
Fold Stroller	24
Use Accessories	24
Detach & Assemble Soft Goods	25
Cleaning and Maintenance	27

Emergency

In case of emergency or accident, it is most important to have your child taken care of with first aid and medical treatment immediately.

Product Information

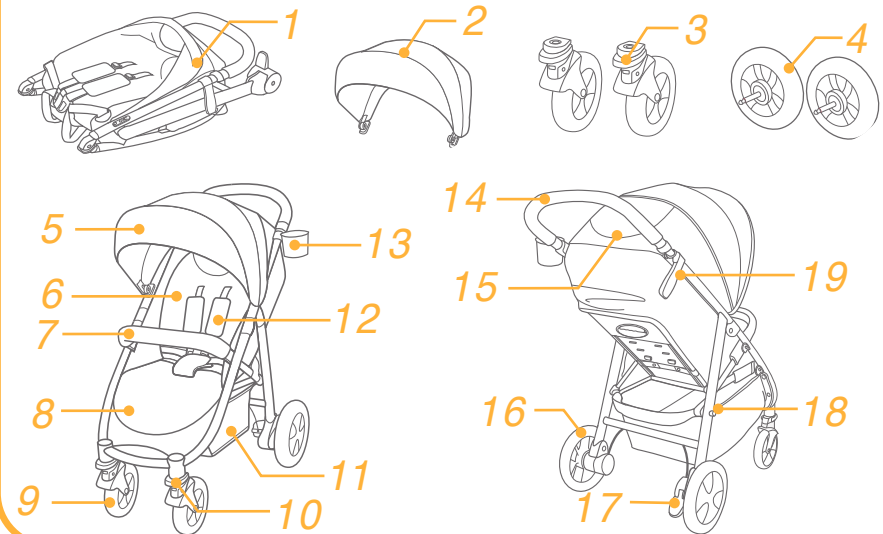
Read all the instructions in this manual before using this product. If you have any further questions, please consult the retailer. Some features may vary depending on model.

Product	Mytrax flex Stroller
Suitable for	This product is suitable for children up to 22kg or 4 years whichever comes first.
Materials	Plastics, metal, fabrics
Patent No.	Patents pending
Made in	China
Brand Name	Joie
Website	www.joiebaby.com
Manufacturer	Allison GmbH

Parts List

Make sure all parts are available before assembly. If any part is missing, please contact local retailer. No tools are required for assembly.

- | | |
|------------------|---------------------|
| 1 Stroller Frame | 11 Storage Basket |
| 2 Canopy | 12 Shoulder Harness |
| 3 Front Wheel | 13 Cupholder |
| 4 Rear Wheel | 14 Handle |
| 5 Canopy | 15 Canopy Window |
| 6 Seat Pad | 16 Rear Wheel |
| 7 Armbar | 17 Brake Lever |
| 8 Calf Support | 18 Storage Mount |
| 9 Front Wheel | 19 Storage Latch |
| 10 Swivel Lock | |

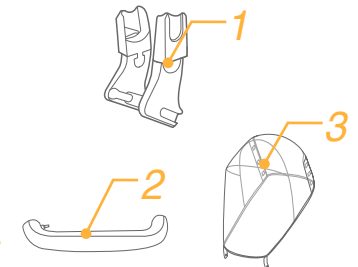


Accessories

(May not be included)

- | | |
|------------------------------------|--|
| 1 Adapter (on certain models) | |
| 2 Armbar Cover (on certain models) | |
| 3 Rain cover (on certain models) | |

Accessories may be sold separately or may not be available depending on region.



WARNING

- ! WARNING Always use the restraint system. Safety belts and restraint systems must be used correctly.
- ! WARNING Ensure that all the locking devices are engaged before use.
- ! WARNING Do not let the child play with this product.
- ! WARNING Check that the pram body or infant child restraint attachment devices are correctly engaged before use.
- ! Adult assembly required.
- ! Use the stroller with a child weighing less than 22kg. It will cause damage to the stroller with an unfitted child.
- ! To prevent a hazardous, unstable condition, do not place more than 4.5kg in the storage basket.
- ! The maximum recommended weight in the cupholder is 1lbs (0.5kg).
- ! WARNING Never leave the child unattended. Always keep child in view while in stroller.
- ! Use the stroller with only one child at a time. Never place purses, shopping bags, parcels or accessory items on the handle or canopy.
- ! Accessories which are not approved by the manufacturer shall not be used. Only replacement parts supplied or recommended by the manufacturer shall be used.
- ! Overloading, folding incorrectly, or using component parts from other manufacturers may cause the stroller to be damaged, broken or unsafe. Please read the instruction manual carefully.
- ! Please read all the instructions in the manual before using the product. Please save instruction manual for future use. Failure to follow these warnings and instructions may result in serious injury or death.

- ! To avoid serious injury from falling or sliding out, always use seat belt.
- ! Make sure your child's body is clear from the moving parts when adjusting the stroller.
- ! Be sure the stroller is fully open or folded before allowing child near the stroller.
- ! Child may slip into leg openings and be strangled if the harness is not used.
- ! Never use stroller on stairs or escalators.
- ! Keep away from high temperature objects, liquids, and electronics.
- ! Never allow your child to stand on the stroller or sit in the stroller with head toward front of stroller.
- ! Never place the stroller on roads, slopes or dangerous areas.
- ! To avoid strangulation, DO NOT place items with a string around your child's neck, suspend strings from this product, or attach strings to toys.
- ! Any load attached to the handle and/or on the back of the backrest and/or on the sides of the stroller will affect the stability of the stroller.
- ! DO NOT lift stroller while child is in stroller.
- ! DO NOT use storage basket as a child carrier.
- ! To prevent tipping, never let child climb the stroller. Always lift the child in and out of the stroller.
- ! To avoid finger entrapment, use care when folding and unfolding the stroller.
- ! WARNING To avoid injury ensure that the child is kept away when unfolding and folding this product.
- ! To ensure your child's safety, please make sure all parts are assembled and fastened properly before using the stroller.
- ! To avoid strangulation, do make sure your child is clear from the canopy.

- ! Always engage the brakes when parking the stroller.
- ! Discontinue using stroller if it is damaged or broken.
- ! Stroller to be used only at walking speed. This product is not intended for use while jogging.
- ! To avoid burns, never put hot liquids in your cupholder.
- ! To avoid suffocation, remove plastic bag and packaging materials before using this product. The plastic bag and packaging materials should then be kept away from babies and children.
- ! This product is not suitable for running or skating.
- ! Pushchair designed to be used from birth shall recommend the use of the most reclined position for new born babies.
- ! The parking device shall be engaged when placing and removing children.
- ! For infant child restraints used in conjunction with a chassis, this vehicle does not replace a cot or a bed. Should your child need to sleep, then it should be placed in a suitable pram body, cot or bed.
- ! The Carry cot shall not be used, as soon as the child is able to sit by himself, roll over and can push itself up on its hands and knees. Maximum weight of the child: 9 kg.
- ! No additional mattress shall be added unless recommended by the manufacturer.
- ! Do not attach items to the handle, seat back or sides of the stroller. Any additional load will affect the stability of the stroller and could cause the stroller to tip.
- ! This product is suitable for children up to 22kg or 4 years whichever comes first.

Stroller Assembly

(Please refer to figures on page 1-11)

Please read all the instructions in this manual before assembling and using this product.

Open Stroller

see images ① - ②

Separate storage latch from storage mount ①, and then lift the handle upwards ②, a click sound means the stroller is open completely.

! Check that the stroller is completely latched before continuing to use.

Assemble & Detach Front Wheel

see images ③ - ④

Assemble & Detach Rear Wheel

see images ⑤ - ⑥

Assemble & Detach Armbar

see images ⑦ - ⑧

Assemble Canopy

see images 9 - 10

Assemble & Detach Cupholder

see images 11 - 12

The completely assembled stroller is shown as 13

Stroller Operation

Adjust Backrest

see images 14 - 15

There are 4 recline angles for the backrest.

Recline Backrest

To recline the backrest, squeeze the recline handle on the back of the seat, pull down on the backrest. 14

Raise Backrest

To raise the backrest, push up. 15

! Make sure the recline is set properly for use.

Use Buckle

see images 16 - 17

Release Buckle

Press the center button to release the buckle. 16

Lock Buckle

Match the waist belt buckle with the shoulder buckle 17 - 1, and click into the center buckle. 17 - 2 A “click” sound means the buckle is locked completely. 17 - 3

! To avoid serious injury from falling or sliding out, always secure your child with harness.

! Make sure your child is snugly secured. The space between the child and the shoulder harness is about the thickness of one hand.

! Do not cross the shoulder belts. This will cause pressure on a child’s neck.

Use Shoulder & Waist Harnesses

see images 18 - 21

! In order to protect your child from falling out, after your child is placed into the seat, check whether the shoulder and waist harnesses are at proper height and length.

18 - 1 Shoulder harness anchor A

18 - 2 Shoulder harness anchor B

18 - 3 Slide adjuster

For larger child, use shoulder harness anchor A and the highest shoulder slots. For smaller child, use shoulder harness anchor B and the lowest shoulder slots.

To adjust the position of the shoulder harness anchor, turn the anchor to be level with the side facing forward. Thread it through the shoulder harness slot from back to front. 19 Rethread it through the slot that is closest to child's shoulder height. 20

Use slide adjuster to change the harness length. 21 - 1

Press the button 21 - 2, while pulling the waist harness to proper length. 21 - 3

Adjust Calf Support

see images 22

The calf support has 2 positions.

To raise the calf support, push it upwards. A "click" sound means the calf is locked completely.

To lower calf support, press the adjustment buttons on both sides of the calf support 22 - 1, and rotate the calf support downwards. 22 - 2

Use Front Swivel Lock

see images 23

Push up the front swivel locks to maintain the moving direction.

23

Tip It is recommended to use swivel locks on uneven surfaces.

Use Brake

see images 24 - 25

To lock wheels, step the brake lever downwards. 24

To release wheels, just lift the brake lever upwards. 25

Tip Always set the parking brake when stroller is not moving.

Use Canopy

see images 26

The canopy can be opened or folded, pull it toward front or back.

The canopy can be opened completely to protect your child from the sun uttermostly, just unzip the zip 26, and then pull the canopy toward front.

There is a window on the canopy, through which you can view your baby.

Adjust Handle

see images 27

Use Shoulder Harness Cover and Crotch Harness Cover

The shoulder harness cover or crotch harness cover can be removed from the webbing. To assemble shoulder harness cover and crotch harness cover in reverse steps.

Fold Stroller

see images 28 - 31

! Please fold the canopy before folding the stroller.

1. Pull the folding webbing upward, the frame will automatically fold backward. 29 - 1
2. The storage latch will automatically hook onto the storage mount, then the stroller is folded and locked completely. 30
3. The stroller can stand when folded. 31

Use Accessories

Accessories may be sold separately or may not be available depending on region.

Use with Infant Child Restraint

see images 32 - 38

When using with Joie infant child restraint Gemm, iGemm 2, i-Snug & iLevel please refer to the following instructions.

- ! Before using the infant child restraint, please make sure the backrest has been adjusted to the lowest position and the infant child restraint has been fastened.
- ! If you have any problems about using the infant child restraint, please refer to their own instruction manuals.
- ! Please do not fold the stroller when the infant child restraint is still attached.

Detach & Assemble Soft Goods

see images 39 - 50

1. Remove armbar cover shown as 39
2. Open the zipper which is on the rear panel of canopy. 40
 - ! Adjust backrest to the lowest position to be convenient to remove soft goods.
3. Remove calf support cover. 41
4. Open the buckle which is on the bottom of seat. 42
 - ! Please keep support board well, must assemble support board when assembling soft goods. 49 50

To re-assemble seat soft goods, follow the steps above in reverse 50 - 39

Use with Joie Carry Cot

see images 51 - 52

When using with Joie carry cot ramble, ramble xl, please refer to the following instructions.

- ! If you have any problems about using the carry cot, please refer to their own instruction manuals.
- ! Always use the mattress when using the carry cot.
- ! Please don't fold stroller when attaching the carry cot.

Use Rain Cover

see images 53

To assemble the rain cover, place it over the stroller, and then attach the 8 pairs of hook and loop fasteners on the rain cover.

53

- ! Before using the rain cover, please make sure the backrest has been adjusted to the lowest position and the infant child restraint has been fastened.
- ! When using the rain cover, please always check its ventilation.
- ! When not in use, please check that the rain cover has been cleaned and dried before folding.
- ! Do not fold the stroller after assembling the rain cover.
- ! Do not place your child into the stroller assembled with rain cover during hot weather.

Cleaning and Maintenance

see images 54

- ! To clean stroller frame, use only household soap and warm water. No bleach or detergent. Please refer to the care label for instructions on cleaning the fabric parts of the stroller.
- ! Removable soft goods can be washed by machine. No bleach. Do not twist the seat cover and inner padding to dry with great force. It may leave the seat cover and inner padding with wrinkles.
- ! From time to time, check your stroller for loose screws, worn parts, torn material or stitching. Replace or repair the parts as needed. Periodically wipe clean plastic parts with a soft damp cloth. Always dry the metal parts to prevent the formation of rust if the stroller has come into contact with water.
- ! Excessive exposure to sun or heat could cause fading or warping of parts.
- ! If stroller becomes wet, open canopy and allow to dry thoroughly before storing.
- ! If wheels squeak, use a light oil (e.g., Silicon Spray, antirust oil, or sewing machine oil). It is important to get the oil into the axle and wheel assembly. 54
- ! When using your stroller at the beach or other sandy/dusty environments, completely clean your stroller after use to remove sand and salt from mechanisms and wheel assemblies.

Note

FR Bienvenue dans l'univers de Joie™

Félicitations, vous faites désormais partie de la famille Joie ! Nous avons hâte de vous accompagner dans vos balades avec votre bébé. En choisissant la poussette Mytrax™ flex de Joie, vous utilisez un produit de grande qualité, certifié par un laboratoire agréé indépendant et conforme aux normes européennes de sécurité EN 1888-2:2018. Ce produit convient aux enfants de la naissance à 22kg. Veuillez lire attentivement et suivre chaque étape de ce mode d'emploi pour garantir le confort et la meilleure protection de votre enfant lors de vos déplacements.

IMPORTANT - A LIRE ATTENTIVEMENT ET A CONSERVER POUR CONSULTATION ULTERIEURE;

Rendez-vous notre site joiebaby.com si vous avez besoin d'informations ou pour télécharger des manuels d'instructions et découvrir Joie!

Pour plus d'informations sur la garantie, veuillez consulter notre site Web à l'adresse suivante: www.joiebaby.com

Sommaire

Schémas	1-11
AVERTISSEMENTS	31
Assemblage de la poussette	33
Ouverture de la poussette	33
Assemblage et retrait des roues avant	33
Assemblage et retrait des roues arrière	33
Assemblage et retrait de la barre d'appui	33
Installation de la capote	33
Installation du porte-gobelet	33
Utilisation de la poussette	33
Réglage du dossier	33
Utilisation de la boucle de ceinture	33
Utilisation des harnais d'épaules et de taille	34
Réglage du repose-jambes	34
Utilisation des verrouillages de pivotement avant	34
Utilisation du frein	34
Utilisation de la capote	35
Réglage du guidon	35
Utilisation des protège harnais (épaules et boucle)	35
Pliage de la poussette	35
Utilisation des accessoires	35
Installation de l'assise	36
Entretien et réparations	36

En cas d'urgence

En cas d'urgence ou d'accident, il est très important de prendre immédiatement soin de votre enfant en lui prodiguant les soins de premiers secours puis en le faisant examiner par un médecin.

Informations sur le produit

Important - A lire attentivement et à conserver pour référence ultérieure.

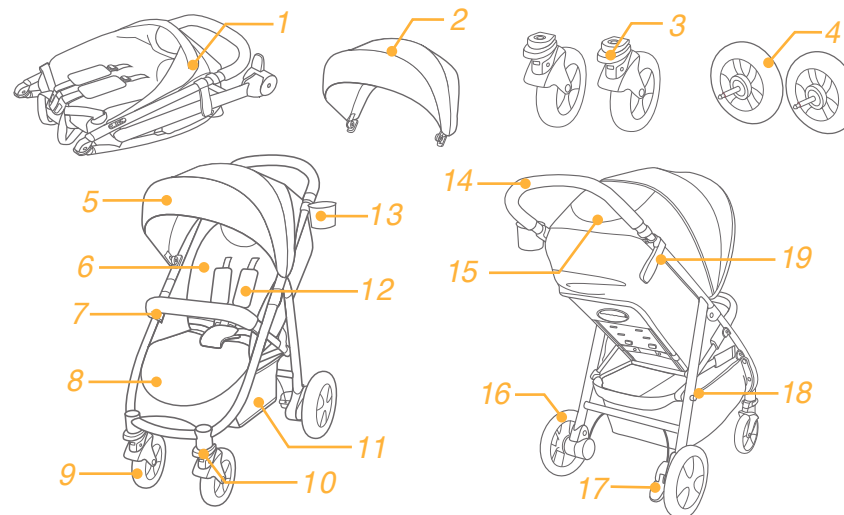
Veuillez lire attentivement les instructions du présent manuel avant d'utiliser ce produit. Pour toutes questions, veuillez contacter votre revendeur.

Produit	Poussette Mytrax flex
Utilisable	Ce produit convient aux enfants jusqu'à 22 kg ou 4 ans.
Matières	Plastique, métal, tissus
Brevet n°	Brevets déposés
Fabriqué en	Chine
Nom de la marque	Joie
Site Web	www.joiebaby.com
Fabricant	Allison GmbH

Liste des pièces

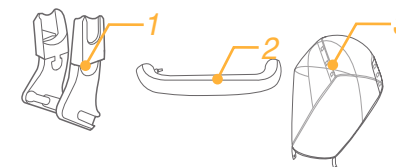
Assurez-vous que toutes les pièces sont présentes avant l'assemblage. Si une pièce est manquante, veuillez contacter votre revendeur local. L'assemblage ne nécessite aucun outil.

1 Châssis	8 Repose-jambes	12 Harnais pour épaules	18 Support de panier
2 Capote	9 Roue avant	13 Porte-gobelet	19 Dispositif de verrouillage des roues
3 Roue avant	10 Dispositif de verrouillage des roues	14 Guidon	
4 Roue arrière	11 Panier de rangement	15 Fenêtre de la capote	
5 Capote		16 Roue arrière	
6 Assise de siège		17 Pédale de frein	
7 Barre d'appui			



Accessoires (Peuvent ne pas être inclus)

- 1 Adaptateur (sur certains modèles)
- 2 Housse de barre d'appui (sur certains modèles)
- 3 Habillage de pluie



Les accessoires peuvent être vendus séparément ou ne pas être disponibles selon la région.

AVERTISSEMENTS

- ! AVERTISSEMENT : Ne jamais laisser l'enfant sans surveillance
- ! AVERTISSEMENT : S'assurer que tous les dispositifs de verrouillage sont enclenchés avant utilisation
- ! AVERTISSEMENT : Pour éviter toute blessure, maintenir votre enfant à l'écart lors du dépliage ou du pliage du produit
- ! AVERTISSEMENT : Ne pas laisser votre enfant jouer avec ce produit
- ! AVERTISSEMENT: Toujours utiliser le système de retenue.
- ! AVERTISSEMENT : Ce produit ne convient pas pour faire du jogging ou des promenades en rollers.
- ! AVERTISSEMENT : Vérifier que les dispositifs de fixation de la nacelle, du siège ou du siège-auto sont correctement enclenchés avant utilisation
- ! AVERTISSEMENT : Assurez-vous que le dispositif de blocage à l'arrêt est enclenché lorsque l'on place l'enfant dans le véhicule ou qu'on l'en sort.
- ! AVERTISSEMENT : Ne pas utiliser d'accessoires qui ne sont pas approuvés par le fabricant.
- ! AVERTISSEMENT : Seules les pièces de rechange fournies ou recommandées par le fabricant/distributeur doivent être utilisées.
- ! AVERTISSEMENT : Toute charge attachée au poussoir et/ou à l'arrière du dossier et/ou sur les côtés du véhicule peut influencer sur la stabilité du véhicule
- ! AVERTISSEMENT : Ce véhicule ne remplace pas un couffin ou un lit. Lorsque l'enfant a besoin de dormir il convient de le placer dans une nacelle, un couffin ou un lit approprié
- ! AVERTISSEMENT : S'assurer que les dispositifs de fixation du cadre de la poussette et du siège sont correctement enclenchés avant utilisation.
- ! Utilisez cette poussette avec un enfant qui pèse moins de 22kg. L'utilisation avec un enfant plus lourd et plus grand peut endommager la poussette.
- ! Cette poussette est conçue pour une utilisation avec un seul enfant à la fois et convient aux enfants de la naissance à 22kg.
- ! Il est conseillé d'utiliser la poussette avec le dossier dans sa position la plus inclinée pour les nouveaux-nés.
- ! L'assemblage doit être réalisé par un adulte.
- ! Pour éviter le coincement des doigts, faites attention lors du pliage et du dépliage de la poussette.
- ! Assurez-vous que la poussette est complètement ouverte ou pliée avant de laisser un enfant à proximité de la poussette.
- ! Pour empêcher tout basculement, ne laissez jamais l'enfant monter seul dans la poussette. Il faut toujours installer et sortir vous-même l'enfant de la poussette.
- ! Assurez-vous que le corps de l'enfant est exempt des pièces mobiles lors du réglage de la poussette.
- ! Surchargée, mal pliée et utilisée avec des accessoires non homologués par le fabricant, la poussette pourrait s'endommager ou se casser.

- ! Ne placez pas des sacs à main, des sacs de courses, des colis ou autres accessoires sur la poignée ou sur la capote.
- ! Pour éviter des situations instables ou dangereuses, ne rangez pas plus de 4.5kg dans le panier.
- ! Le poids maximum recommandé dans le porte-gobelet est de 0.5kg
- ! Utilisez toujours le système de retenue pour éviter que l'enfant ne se blesse en tombant ou en glissant du siège. L'enfant peut glisser en sous marinage par les ouvertures des jambes et être étranglé si le harnais n'est pas attaché.
- ! N'utilisez jamais la poussette dans des escaliers ou escaliers mécaniques. Lorsque vous montez ou descendez des escaliers ou des escalators, sortez toujours votre enfant de la poussette et pliez-la.
- ! NE placez pas dans la poussette des objets chauds, des liquides ou des appareils électroniques. Ne placez pas la poussette à proximité d'une source de chaleur.
- ! NE jamais laisser votre enfant se tenir debout sur la poussette ou s'asseoir avec la tête vers l'avant.
- ! NE jamais stationner la poussette sur la route, dans une pente ou dans un endroit ou zones dangereuses.
- ! Activer toujours le système de freinage lorsque vous stationnez la poussette.
- ! NE lâchez pas votre poussette à proximité des routes ou des voies ferrées, même si le frein est serré, car l'appel d'air dû au passage d'une voiture ou d'un train pourrait la déplacer.
- ! NE levez pas la poussette lorsque l'enfant se trouve dans la poussette.
- ! N'utilisez pas le panier de rangement comme porte-bébé.
- ! Pour éviter tout risque d'étranglement, ne placez AUCUN objet avec une ficelle autour du cou de votre enfant, ne suspendez aucune ficelle à ce produit, et n'attachez aucune ficelle aux jouets.
- ! Pour éviter tout risque d'étouffement, enlevez le sac en plastique et les matériaux d'emballage avant d'utiliser ce produit. Le sac en plastique et les matériaux d'emballage doivent être conservés hors de portée des bébés et des enfants.
- ! L'utilisateur doit assurer l'entretien régulier de cette poussette. La poussette doit être contrôlée après une longue période d'inutilisation.
- ! Arrêtez d'utiliser la poussette si elle est endommagée ou cassée.
- ! La nacelle convient à un enfant qui ne peut pas se tenir assis seul, ni se retourner et se relever sur ses mains et ses genoux. Ce produit convient aux enfants dont le poids maximum est de 9 kilos.
- ! N'utilisez pas, ni ajoutez un matelas autre que celui fourni avec la nacelle.
- ! Veuillez lire toutes les instructions du manuel avant d'utiliser ce produit.
- ! Veuillez conserver le mode d'emploi pour consultation ultérieure. Le non-respect des avertissements et instructions peut entraîner des blessures graves ou mortelles.
- ! Si la poussette est utilisée par des personnes qui ne la connaissent pas, comme les grands-parents par exemple, montrez-leur comment elle fonctionne et donnez-leur à lire le manuel d'instructions.

Assemblage de la poussette

Lisez toutes les instructions du présent manuel avant d'assembler et d'utiliser ce produit.

Ouverture de la poussette

voir les images 1 - 2

Dégagez le loquet de fermeture 1, puis levez la poignée vers le haut 2, un son de clic signifie que la poussette est complètement ouverte.

! Vérifiez que la poussette est complètement verrouillée avant de poursuivre.

Fixation et retrait des roues avant

voir les images 3 - 4

Fixation et retrait des roues arrière

voir les images 5 - 6

Fixation et retrait de la barre d'appui

voir les images 7 - 8

Installation de la capote

voir les images 9 - 10

Installation du porte-gobelet

voir les images 11 - 12

La poussette complètement assemblée est illustrée sur l'image 13

Utilisation de la poussette

Réglage du dossier

voir les images 14 - 15

Il existe 4 positions d'inclinaison du dossier.

Pour incliner le dossier, appuyez sur la poignée d'inclinaison à l'arrière du siège, tirez sur le dossier. 14

Pour relever le dossier, remontez-le en ayant pris soin d'actionner la poignée d'inclinaison. 15

! L'inclinaison doit être réglée correctement avant utilisation.

Utilisation de la boucle de ceinture

voir les images 16 - 17

Déverrouillage de la boucle

Appuyez sur le bouton central pour déverrouiller la boucle. 16

Verrouillage de la boucle

Faites correspondre la boucle de la ceinture pour la taille avec la boucle d'épaules 17 - 1, puis enclenchez dans la boucle centrale. 17 - 2 Vous entendrez un « clic » signifiant que la boucle est complètement verrouillée. 17 - 3

! Utilisez toujours la ceinture de sécurité pour éviter que l'enfant ne se blesse en tombant ou en glissant du siège.

! Vérifiez que votre enfant est bien attaché. L'espace entre l'enfant et le harnais pour épaules doit faire environ l'épaisseur d'une main.

! Ne croisez pas les harnais d'épaules. Autrement cela entraîne une pression sur le cou de l'enfant.

Utilisation des harnais d'épaules et de taille

voir les images 18 - 21

! Pour éviter à votre enfant de tomber, vérifiez que les harnais d'épaules et de taille sont à la bonne hauteur et la bonne longueur une fois l'enfant placé dans le siège.

18 - 1 Boucle A du harnais d'épaules

18 - 2 Boucle B du harnais d'épaules

18 - 3 Boucle pour faire coulisser la sangle et la régler à bonne hauteur

Pour les enfants de grande taille, utilisez la boucle A du harnais d'épaules et les fentes les plus élevées au niveau des épaules. Pour les enfants de petite taille, utilisez la boucle B du harnais d'épaules et les fentes les moins élevées au niveau des épaules.

Pour régler la position de la boucle du harnais d'épaules, retournez l'œillet face avant de manière à être au même niveau. Le passer à travers la fente du harnais d'épaules, de l'arrière vers l'avant. 19 Le refaire passer à travers la fente la plus proche de la hauteur des épaules de l'enfant. 20

Utilisez le curseur de réglage coulissant pour ajuster la longueur du harnais. 21 - 1

Appuyez sur le bouton 21 - 2, tout en tirant sur le harnais à la taille jusqu'à la longueur souhaitée. 21 - 3

Réglage du repose-jambes

voir les images 22

Le repose-jambes est réglable sur 2 positions.

Pour monter le repose-jambes, tirez-le vers le haut. Vous entendrez un « clic » signifiant que le repose-jambes est complètement verrouillé.

Pour abaisser le repose-mollets, appuyez sur les boutons de réglage situés sur les deux côtés du repose-jambes 22 - 1, puis abaissez le repose-jambes. 22 - 2

Utilisation système de verrouillage des roues avant

voir les images 23

Actionnez vers le haut les loquets de verrouillages de roues avant pour supprimer le pivotement des roues. 23

Astuce Il est recommandé de bloquer les roues en position fixe sur les surfaces irrégulières.

Utilisation du frein

voir les images 24 - 25

Pour verrouiller les roues, abaissez le levier du frein. 24

Pour libérer les roues, soulevez le levier du frein. 25

Astuce Utilisez toujours le frein lorsque la poussette n'est pas en mouvement.

Utilisation de la capote

voir les images 26

La capote peut être ouverte ou pliée, il suffit de la tirer vers l'avant ou de la repousser vers l'arrière. pour protéger votre enfant du soleil au maximum, utilisez la capote dans toute sa longueur en ouvrant la fermeture éclair 26, puis tirez la capote vers l'avant.

La capote est équipée d'une fenêtre, à travers laquelle vous pouvez voir votre bébé.

Ajustement du guidon

voir les images 27

Utilisation des protège harnais (épaules et taille)

Les protège harnais peuvent être enlevés. Pour les installer procédez dans l'ordre inverse.

Pliage de la poussette

voir les images 28 - 31

! Veuillez replier la capote avant de plier la poussette.

1. Tirez la la tirette de pliage vers le haut, et appuyez sur le bouton poussoir pour déverrouiller le système de blocage, le dossier de la poussette se replie automatiquement vers l'arrière. 29 - 1
2. Le loquet de verrouillage de la poussette s'enclenche automatiquement sur le support prévu, la poussette est alors pliée et verrouillée complètement. 30
3. La poussette peut rester debout une fois pliée. 31

Utilisation des accessoires

Les accessoires peuvent être vendus séparément ou ne pas être disponibles pour certaines régions. Merci de contacter votre revendeur.

Utilisation du dispositif de retenue pour enfants (coque)

voir les images 32 - 38

Reportez-vous aux instructions suivantes pour l'installation et l'utilisation d'une coque Joie (Gem, iGem, iGem 2, i-Snug et iLevel.)

- ! Avant d'utiliser la coque siège auto, veuillez vous assurer que le dossier de la poussette a été réglé à la position la plus basse et que la coque siège auto a bien été fixée.
- ! Si vous rencontrez des difficultés concernant l'utilisation de la coque siège auto, veuillez consulter son manuel d'utilisation.
- ! Veuillez ne pas plier la poussette lorsque la coque siège auto est encore fixée.

Installation et retrait des parties en tissu (protections, capote, assise)

voir les images 39 - 50

1. Pour retirer la protection de la barre d'appui, ouvrir la fermeture éclair comme indiqué sur le dessin 39
 2. Pour détacher la capote de la poussette, ouvrez la fermeture éclair comme indiqué sur le schéma 40
 - ! Réglez le dossier de la poussette sur la position la plus basse pour retirer plus facilement les parties en tissu.
 3. Pour retirer l'assise au niveau du repose jambes, enlevez-la comme montré sur le dessin 41
 4. Puis déclippez la boucle qui se trouve sous le repose jambes comme indiqué sur le schéma 42 et enlevez l'assise
 - ! Veuillez conserver soigneusement le panneau de renfort, il doit être mis lors de l'installation des parties en tissu. 49 - 50
- Pour ré-installer l'assise du siège, suivez les étapes décrites ci-dessus dans l'ordre inverse voir schémas 50 - 39

Utilisation de la poussette avec la nacelle ramble

voir les images 51 - 52

Reportez-vous aux instructions suivantes pour l'utilisation de la nacelle ramble, ramble xl.

- ! Si vous rencontrez des problèmes concernant l'utilisation de la nacelle, veuillez consulter son manuel d'utilisation.
- ! Utilisez toujours le matelas avec la nacelle.
- ! Enlevez la nacelle avant de plier la poussette.

Utiliser l'habillage de pluie

voir les images 53

Pour fixer l'habillage de pluie, posez-le sur la poussette et puis attachez les 8 paires de bandes Velcro de l'habillage de pluie. 53

- ! Avant d'utiliser l'habillage de pluie, assurez-vous que le dossier a été réglé dans la position la plus basse et que la coque est correctement fixée.
- ! Lorsque vous utilisez l'habillage de pluie, veuillez toujours vérifier la ventilation est assurée dessous.
- ! Lorsque vous n'utilisez pas l'habillage de pluie, vérifiez qu'il a été nettoyé et séché avant d'être plié.
- ! Ne pliez pas la poussette avec l'habillage de pluie dessus.
- ! Pendant les périodes de grosse chaleur, n'utilisez pas l'habillage de pluie quand votre enfant est installé dans la poussette.

Entretien et réparations

voir les images 54

- ! Pour nettoyer le cadre de la poussette, utilisez uniquement du savon avec de l'eau chaude. Ne pas utiliser de chlore, d'eau de javel ou autres produits détergents. Veuillez consulter l'étiquette d'entretien pour des instructions sur le nettoyage des pièces en tissu de la poussette.
- ! L'assise est entièrement déhoussable. Toutes les parties en tissu sont lavables et doivent être séchées à plat. Veuillez vous reporter à l'étiquette où figurent les instructions d'entretien. Ne pas utiliser de chlore, d'eau de javel ou autres produits détergents.
- ! Vérifiez régulièrement les composants de la poussette afin de détecter les vis desserrées, les parties usées, les matériaux déchirés ou décousus sur la poussette. Remplacez ou réparez les pièces endommagées si nécessaire. Rappelons que seules les pièces de rechange fournies ou recommandées par le fabricant/distributeur doivent être utilisées. Essuyez de temps à autre les pièces en plastique avec un chiffon doux humide. Séchez toujours les pièces métalliques pour empêcher la formation de rouille si la poussette est entrée en contact avec de l'eau.
- ! L'exposition excessive au soleil ou à la chaleur peut décolorer ou déformer les pièces.
- ! Si la poussette est mouillée, ouvrez la capote et laissez-la sécher complètement avant de la ranger.
- ! Si les roues grincent, mettez un peu d'huile en ayant pris soin de nettoyer avant les roues et les essieux. Il est important que l'huile pénètre dans les moyeux des roues. 54
- ! Après utilisation de la poussette à la plage ou dans un autre environnement sablonneux ou très poussiéreux., nettoyez-la en enlevant complètement le sable et l'eau salée des mécanismes et des roues.

Wir begrüßen Sie als ein weiteres Mitglied der Joie-Familie! Wir freuen uns, Ihr kleines Kind auf Reisen zu begleiten. Beim Reisen mit dem Joie Mytrax™ flex nutzen Sie einen erstklassigen, umfassend zertifizierten Kinderwagen, der gemäß dem europäischen Sicherheitsstandard EN 1888-2:2018 zugelassen ist. Dieses Produkt eignet sich für Kinder bis 22 kg oder 4 Jahre, was auch immer zuerst eintritt. Lesen Sie diese Anleitung sorgfältig durch und beachten Sie die einzelnen Schritte zur Gewährleistung einer komfortablen Fahrt und optimalen Sicherheit für Ihr Kind.

Wichtig – Bitte sorgfältig lesen und für späteres Nachlesen unbedingt aufbewahren.

Besuchen Sie uns unter joiebaby.com, um Anleitungen herunterzuladen und sich weitere aufregende Joie-Produkte anzuschauen!

Besuchen Sie unsere Website joiebaby.com, um mehr über unsere Gewährleistungsbedingungen zu erfahren.

Inhalt

Abbildungen	1-11
WARNHINWEISE	39
Kinderwagen montieren	41
Kinderwagen aufklappen	41
Vorderrad montieren und demontieren	41
Hinterrad montieren und demontieren	41
Armlehne montieren und demontieren	41
Verdeck montieren	41
Getränkhalter montage und demontage	41
Kinderwagen bedienen	41
Rückenlehne anpassen	42
Schnalle verwenden	42
Schulter- und Taillengurte anlegen	42
Wadenstütze einstellen	42
Vordere Lenksperre verwenden	42
Bremse verwenden	43
Verdeck verwenden	43
Griff anpassen	43
Abdeckungen für Schulter- und Schrittgurt verwenden	43
Kinderwagen zusammenklappen	43
Zubehör verwenden	43
Textilteile entfernen und anbringen	43
Pflege und Wartung	44

Notfall

Bei einem Notfall oder Unfall muss Ihr Kind unverzüglich erste Hilfe bekommen und medizinisch versorgt werden.

Produktdaten

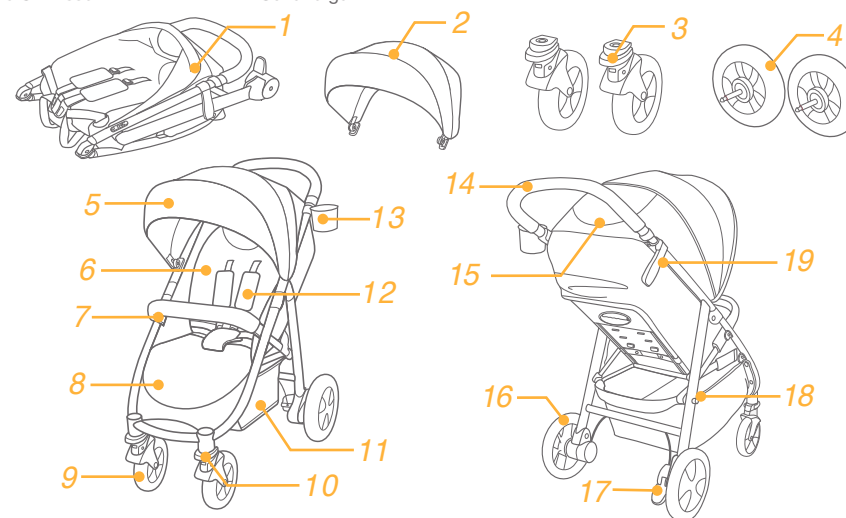
Lesen Sie alle Hinweise in dieser Anleitung, bevor Sie dieses Produkt einsetzen. Bei weiteren Fragen wenden Sie sich an Ihren Händler. Einige Bestandteile können je nach Modell variieren.

Produkt	Kinderwagen Mytrax flex
Geeignet für	Dieses Produkt eignet sich für Kinder bis 22 kg oder 4 Jahre, was auch immer zuerst eintritt.
Materialien	Kunststoff, Metall, Stoffe
Patentnr.	Patente angemeldet
Hergestellt in	China
Markenname	Joie
Website	www.joiebaby.com
Hersteller	Allison GmbH

Teileliste

Stellen Sie vor der Montage sicher, dass alle Teile vorhanden sind. Falls etwas fehlen sollte, wenden Sie sich an Ihren Händler vor Ort. Für die Montage werden keine Werkzeuge benötigt.

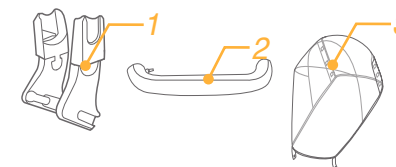
- | | | | |
|--------------|-----------------|-------------------|--------------------------------|
| 1 Gestell | 7 Armlehne | 13 Getränkehalter | 18 Aufbewahrungshalterung |
| 2 Verdeck | 8 Wadenstütze | 14 Griff | 19 Verriegelung für Ablagekorb |
| 3 Vorderrad | 9 Vorderrad | 15 Verdeckfenster | |
| 4 Hinterrad | 10 Lenksperre | 16 Hinterrad | |
| 5 Verdeck | 11 Ablagekorb | 17 Bremshebel | |
| 6 Sitzkissen | 12 Schultergurt | | |



Zubehör

(im Kauf eventuell nicht enthalten)

- 1 Adapter (bei bestimmten Modellen)
- 2 Abdeckung der Armlehne (bei bestimmten Modellen)
- 3 Regenschutz (bei bestimmten Modellen)



Zubehör wird möglicherweise separat verkauft oder ist je nach Region nicht verfügbar.

WARNHINWEISE

- ! WARNHINWEISE Vergewissern Sie sich vor Gebrauch, dass alle Verriegelungen eingerastet sind
- ! WARNHINWEISE Vergewissern Sie sich, dass das Kind beim Aufklappen und Zusammenklappen des Wagens außer Reichweite ist, um Verletzungen zu vermeiden
- ! WARNHINWEISE Lassen Sie das Kind nicht mit dem Produkt spielen
- ! WARNHINWEISE Verwenden Sie immer das Rückhaltesystem
- ! WARNHINWEISE Vergewissern Sie sich vor der Verwendung, dass der Kinderwagenaufsatz oder der Sitzeinheit oder die Befestigungselemente des Autositzes korrekt eingerastet sind.
- ! Das Produkt muss von einem Erwachsenen montiert werden.
- ! Verwenden Sie den Kinderwagen für ein Kind, das weniger als 22 kg wiegt. Der Kinderwagen wird beschädigt, wenn ein Kind nicht gut hineinpasst.
- ! Um eine gefährliche Instabilität zu vermeiden, beladen Sie den Ablagekorb nicht mit mehr als 4,5 kg.
- ! Die empfohlene Maximalbelastbarkeit des Getränkehalters beträgt 0,5 kg.
- ! Lassen Sie das Kind nie unbeaufsichtigt. Behalten Sie ein Kind im Kinderwagen stets im Auge.
- ! Legen Sie immer nur jeweils ein Kind in den Kinderwagen. Legen Sie niemals Geldbörsen, Einkaufstaschen, Pakete oder Zubehör auf den Griff oder das Verdeck.
- ! Nicht vom Hersteller zugelassenes Zubehör sollte nicht verwendet werden. Verwenden Sie nur vom Hersteller gelieferte oder empfohlene Ersatzteile.
- ! Durch Überladen, falsches Zusammenklappen oder Verwendung von Teilen anderer Hersteller wird der Kinderwagen u. U. beschädigt, unbrauchbar oder unsicher. Lesen Sie diese Anleitung sorgfältig durch.
- ! Lesen Sie alle Hinweise in dieser Anleitung, bevor Sie das Produkt verwenden. Bewahren Sie die Anleitung zum späteren Nachschlagen auf. Nichtbeachtung dieser Warnhinweise und Anweisungen könnte zu schweren oder tödlichen Verletzungen führen.
- ! Verwenden Sie stets den Sicherheitsgurt, um Verletzungen durch Herausfallen oder Herausrutschen zu vermeiden.
- ! Achten Sie bei Einstellungen am Kinderwagen darauf, dass der Körper Ihres Kindes nicht mit den beweglichen Teilen in Kontakt kommt.
- ! Achten Sie darauf, dass der Kinderwagen vollständig geöffnet oder zusammengeklappt ist, bevor Sie Ihr Kind in die Nähe des Kinderwagens lassen.
- ! Das Kind könnte in die Beinöffnungen rutschen und ersticken, wenn der Gurt nicht angelegt ist.
- ! Transportieren Sie den Kinderwagen niemals über Treppenstufen oder Rolltreppen.
- ! Halten Sie den Kinderwagen von heißen/Hitze erzeugenden Gegenständen, Flüssigkeiten und Elektrogeräten fern.
- ! Lassen Sie Ihr Kind niemals im Kinderwagen stehen oder mit dem Kopf

zur Vorderseite des Kinderwagens gerichtet sitzen.

- ! Stellen Sie den Kinderwagen niemals auf Straßen, an Hanglagen oder in Gefahrenbereichen ab.
- ! Platzieren Sie KEINE Gegenstände mit einem Band oder Faden um den Hals Ihres Kindes, hängen Sie KEINE Bänder oder Fäden an dieses Produkt und bringen Sie KEINE Bänder oder Fäden an Spielzeugen an, damit sich das Kind nicht strangulieren kann.
- ! Jegliche am Griff, an der Rückseite der Rückenlehne oder an den Seiten des Kinderwagens angebrachte Last wirkt sich auf die Stabilität des Kinderwagens aus.
- ! Heben Sie den Kinderwagen NICHT an, wenn sich ein Kind darin befindet.
- ! Verwenden Sie den Ablagekorb NICHT als Kindersitz.
- ! Der Kinderwagen kann umkippen, wenn Ihr Kind darauf klettert. Heben Sie das Kind stets in den bzw. aus dem Kinderwagen.
- ! Seien Sie beim Auf- und Zusammenklappen des Kinderwagens vorsichtig, damit Sie sich die Finger nicht einklemmen.
- ! Halten Sie Ihr Kind zur Vermeidung von Verletzungen in sicherem Abstand, während Sie dieses Produkt auf- und zusammenklappen.
- ! Zur Gewährleistung der Sicherheit für Ihr Kind achten Sie vor Verwendung des Kinderwagens darauf, dass alle Teile sachgemäß montiert und befestigt sind.
- ! Zur Vermeidung einer Strangulation darf sich das Kind nicht an das Verdeck anlehnen oder damit bedecken.
- ! Ziehen Sie stets die Bremsen an, wenn Sie den Kinderwagen abstellen.
- ! Verwenden Sie Ihren Kinderwagen nicht mehr, wenn er beschädigt oder kaputt ist.
- ! Der Kinderwagen sollte nur mit Schrittgeschwindigkeit geschoben werden. Er ist nicht für den Einsatz beim Joggen geeignet.
- ! Geben Sie zur Vermeidung von Verbrennungen niemals Behälter mit heißen Flüssigkeiten in den Getränkehalter.
- ! Entfernen Sie zur Vermeidung von Erstickungsgefahr den Kunststoffbeutel und sämtliche Verpackungsmaterialien vor dem ersten Einsatz. Halten Sie Kunststoffbeutel und Verpackungsmaterialien von Säuglingen und Kindern fern.
- ! Dieses Produkt ist nicht zum Joggen oder Skaten geeignet.
- ! Neugeborene sollten liegend transportiert werden; kippen Sie dazu die Rückenlehne in die waagrechte Position.
- ! Nutzen Sie die Feststellbremse, wenn Sie das Kind hineinlegen oder herausnehmen.
- ! Auch wenn ein Kind in diesem Wagen gesichert durch Gurte liegen kann, ist er kein Ersatz für ein Bett. Falls Ihr Kind müde ist, sollten Sie es in einen geeigneten Kinderwagen, ein Gitter- bzw. Babybett legen.
- ! Die Babyschale eignet sich nur für Kinder, die nicht selbstständig sitzen, sich drehen und/oder mit Händen und Knien abstützen können. Maximalgewicht des Kindes: 9 kg.
- ! Verwenden Sie nur die mit der Babyschale gelieferte Matratze; fügen Sie KEINE weitere Matratze hinzu.
- ! Dieses Produkt eignet sich für Kinder bis 22 kg oder 4 Jahre, was auch immer zuerst eintritt.

Kinderwagen montieren

Lesen Sie alle Hinweise in dieser Anleitung, bevor Sie dieses Produkt montieren und verwenden.

Kinderwagen aufklappen

siehe Abbildungen 1 - 2

Trennen Sie den Aufbewahrungsverschluss von der Aufbewahrungshalterung 1, und ziehen Sie den Griff nach oben 2, ein Klickgeräusch bedeutet, dass der Kinderwagen vollständig geöffnet ist.

! Prüfen Sie vor der weiteren Benutzung, ob der Kinderwagen vollständig verriegelt ist.

Vorderrad montieren und demontieren

siehe Abbildungen 3 - 4

Hinterrad montieren und demontieren

siehe Abbildungen 5 - 6

Armlehne montieren und demontieren

siehe Abbildungen 7 - 8

Verdeck montieren

siehe Abbildungen 9 - 10

Getränkehalter montage und demontage

siehe Abbildungen 11 - 12

Abbildung 13 zeigt den vollständig montierten Kinderwagen.

Kinderwagen bedienen

Rückenlehne anpassen

siehe Abbildungen 14 - 15

Es gibt 4 Neigungswinkel für die Rückenlehne.

Rückenlehne zurückklappen

Drücken Sie zum Neigen der Rückenlehne den Neigungseinstellgriff an der Rückseite des Sitzes und ziehen Sie die Rückenlehne nach unten. 14

Rückenlehne hochklappen

Zum Hochstellen der Rückenlehne drücken Sie sie hoch. 15

! Achten Sie darauf, die Neigung zur Verwendung sachgemäß einzustellen.

Schnalle verwenden

siehe Abbildungen 16 - 17

Schnalle lösen

Drücken Sie auf den Knopf in der Mitte, um die Schnalle zu lösen. 16

Schnalle schließen

Richten Sie die Schnalle des Taillengurtes mit der Schulternschnalle aus 17 - 1 und verriegeln Sie sie in der mittleren Schnalle 17 - 2. Ein Klickgeräusch bedeutet, dass die Schnalle vollständig geschlossen ist. 17 - 3

! Um schwere Verletzungen aufgrund von Herausfallen oder Herausgleiten zu verhindern, legen Sie Ihrem Kind stets die Sicherheitsgurte an.

! Vergewissern Sie sich, dass Ihr Kind rutschfest gehalten wird. Der Abstand zwischen dem Kind und dem Schultergurt sollte etwa die Dicke einer Hand betragen.

! Legen Sie die Schultergurte nicht gekreuzt an. Andernfalls wird Druck auf den Hals des Kindes erzeugt.

Schulter- und Taillengurte anlegen

siehe Abbildungen 18 - 21

! Nachdem Sie Ihr Kind in den Sitz gesetzt haben, prüfen Sie, ob die Schulter- und Taillengurte in der richtigen Höhe verlaufen und lang genug sind, um Ihr Kind vor dem Herausfallen zu schützen.

18 - 1 Schultergurtverankerung A

18 - 2 Schultergurtverankerung B

18 - 3 Schieberegler

Verwenden Sie bei einem größeren Kind die Schultergurtverankerung A und die obersten Schulterschlitz. Bei einem kleineren Kind müssen die Schultergurtverankerung B und die untersten Schulterschlitz verwendet werden.

Zur Verstellung der Position der Schultergurtverankerung drehen Sie die Verankerung so, dass sie mit der nach vorne weisenden Seite auf einer Ebene liegt. Führen Sie sie von hinten nach vorne durch den Schultergurtschlitz. 19 Führen Sie sie erneut durch den Schlitz, welcher der Schulterhöhe des Kindes am nächsten liegt. 20

Ändern Sie die Gurtlänge mit dem Schieberegler. 21 - 1

Drücken Sie auf den Knopf 21 - 2, während Sie den Taillengurt auf die richtige Länge ziehen. 21 - 3

Wadenstütze einstellen

siehe Abbildungen 22

Es gibt zwei Positionen für die Wadenstütze.

Drücken Sie die Wadenstütze zum Anheben nach oben. Ein Klickgeräusch zeigt an, dass die Wagenstütze eingerastet ist.

Zum Absenken der Wadenstütze betätigen Sie die Verstellknöpfe an beiden Seiten der Wadenstütze 22 - 1 und drehen die Wadenstütze nach unten. 22 - 2

Vordere Lenksperre verwenden

siehe Abbildungen 23

Drücken Sie die vorderen Lenksperren hoch, um die Bewegungsrichtung beizubehalten. 23

Tipp Die Lenkstopp empfehlen sich auf unebenem Untergrund.

Bremse verwenden siehe Abbildungen 24 - 25

Zur Arretierung der Räder drücken Sie den Bremshebel mit dem Fuß nach unten. 24

Lösen Sie die Sperrung durch Ziehen des Bremshebels nach oben. 25

Tipp Ziehen Sie immer die Parkbremse an, wenn der Kinderwagen nicht geschoben wird.

Verdeck verwenden siehe Abbildungen 26

Das Verdeck kann durch Ziehen nach vorne oder hinten geöffnet oder zusammengeklappt werden.

Das Verdeckt kann zum Schutz Ihres Kindes vor der Sonne vollständig geöffnet werden. Öffnen Sie dazu einfach den Reißverschluss 26 und ziehen Sie das Verdeck nach vorne.

Im Verdeck befindet sich ein Fenster, durch das Sie Ihr Baby beobachten können.

Griff anpassen siehe Abbildungen 27

Abdeckungen für Schulter- und Schrittgurt verwenden

Die Abdeckung des Schulter- oder Schrittgurtes lässt sich vom Gurtband abnehmen. Befolgen Sie die Schritte zum Anbringen der Abdeckung des Schulter- oder Schrittgurtes in umgekehrter Reihenfolge.

Kinderwagen zusammenklappen siehe Abbildungen 28 - 31

! Klappen Sie das Verdeck zusammen, bevor Sie den Kinderwagen zusammenklappen.

1. Ziehen Sie den Falzgurt nach oben, dann klappt sich das Gestell automatisch nach hinten. 29 - 1
2. Der Aufbewahrungsverschluss rastet automatisch in der Aufbewahrungshalterung ein, danach wird der Kinderwagen komplett zusammengeklappt und verriegelt. 30
3. Der Kinderwagen kann zusammengeklappt stehen. 31

Zubehör verwenden

Zubehör wird möglicherweise separat verkauft oder ist je nach Region nicht verfügbar.

Mit Kinderrückhaltevorrichtung verwenden siehe Abbildungen 32 - 36

Beachten Sie bei Verwendung mit der Joie-Kinderrückhaltevorrichtung Gemm, iGemm 2, i-Snug & iLevel die folgenden Anweisungen.

- ! Bitte stellen Sie vor Verwendung des Kinderrückhaltesystems sicher, dass die Rückenlehne auf die niedrigste Position eingestellt und das Kinderrückhaltesystem befestigt wurde.
- ! Falls Probleme bei der Verwendung des Kinderrückhaltesystems auftreten, beachten Sie bitte die zugehörige Bedienungsanleitung.
- ! Bitte klappen Sie den Kinderwagen nicht zusammen, während das Kinderrückhaltesystem angebracht ist.

Textilteile entfernen und anbringen siehe Abbildungen 39 - 50

1. Entfernen Sie die Abdeckung der Armlehne wie abgebildet 39

2. Öffnen Sie den Reißverschluss an der Rückblende des Verdecks. 40

! Passen Sie die Rückenlehne zum Entfernen der Textilteile auf die niedrigste Position an.

3. Entfernen Sie die Abdeckung der Wadenstütze. 41

4. Öffnen Sie die Schnalle an der Unterseite des Sitzes. 42

! Bewahren Sie die Einlagen im Bezug sicher auf, da Sie diese beim Wiederanbringen der Bezüge benötigen. 49 50

Befolgen Sie die obigen Schritte zum Wiederanbringen der Sitztextilteile in umgekehrter Reihenfolge 50 - 39

Mit Joie-Babyschale verwenden siehe Abbildungen 51 - 52

Bitte beachten Sie beim Einsatz mit der Joie-Babyschale ramble, ramble xl die nachstehenden Anweisungen.

- ! Falls Probleme bei der Verwendung der Babyschale auftreten, beachten Sie bitte die zugehörige Bedienungsanleitung.
- ! Verwenden Sie die Babyschale niemals ohne Matratze.
- ! Bitte klappen Sie den Kinderwagen nicht zusammen, wenn die Babyschale angebracht ist.

Regenschutz verwenden siehe Abbildungen 53

Um den Regenmantel aufzustellen, legen Sie es über den Kinderwagen und danach stellen Sie 8 Paaren von Befestigungshaken und -Ringen und 2 Paaren von Kapseln auf den Regenmantel. 53

- ! Vor dem Regenmantel zu verwenden, stellen Sie sich sicher, dass es in der niedrigsten Position geregelt wurde und den Kindersitz befestigt wurde.
- ! Prüfen Sie die Belüftung bei Verwendung des Regenmantels.
- ! Wenn Sie den Regenmantel nicht verwenden, prüfen Sie ob den Regenmantel vor der Faltung geputzt oder getrocknet wurde.
- ! Wenn den Regenmantel auf dem Kinderwagen steht, beseitigen Sie es, um Rissen oder Beschädigungen zu verhindern.
- ! Falten Sie den Kinderwagen nach Zusammenbau des Regenmantels nicht.
- ! Setzen Sie das Kind in dem Kinderwagen mit dem zusammengebauten Regenmantel nicht, wenn es warmes Wetter gibt.

Reinigung und Pflege siehe Abbildungen 54

- ! Reinigen Sie das Kinderwagengestell nur mit handelsüblicher Seife und warmem Wasser. Nicht bleichen oder mit Reinigungsmitteln säubern. Bitte beachten Sie das Pflegeetikett zur Reinigung der Textilteile des Kinderwagens.
- ! Die abnehmbaren Textilteile können in der Waschmaschine gereinigt werden. Verwenden Sie kein Bleichmittel. Bitte wringen Sie die Textilteile nach dem Waschen nicht mit übermäßiger Kraft aus, da sich der Stoff dadurch verziehen kann oder unschöne Falten entstehen können.
- ! Untersuchen Sie Ihren Kinderwagen gelegentlich auf lockere Schrauben, abgenutzte Teile, verschlissene Materialien oder aufgerissene Nähte. Ersetzen oder reparieren Sie die Teile, falls erforderlich. Wischen Sie die Kunststoffteile regelmäßig mit einem weichen, angefeuchteten Tuch ab. Trocknen Sie die Metallteile bei Kontakt mit Wasser immer ab, damit sich kein Rost bildet.
- ! Bei übermäßiger Sonnenbestrahlung oder Hitzeeinwirkung können Teile verblassen oder sich verformen.
- ! Ist der Kinderwagen nass geworden, öffnen Sie das Verdeck und lassen Sie ihn komplett trocken werden, bevor Sie ihn verstauen.
- ! Bei quietschenden Rädern tragen Sie ein leichtes Öl auf (z. B. Silikonspray, Rostschutzöl oder Nähmaschinenöl). Dabei ist wichtig, dass das Öl in die Achse und die Räderpartie gelangt. 54
- ! Gehen Sie mit Ihrem Kinderwagen am Strand oder an anderen sandigen/staubigen Orten spazieren, müssen Sie ihn hiernach komplett reinigen, um Sand und Salz aus der Mechanik und den Radverbindungen zu entfernen.

¡Enhorabuena por unirse a la familia Joie! Estamos encantados de formar parte de su viaje y del de su pequeño. Cuando pasee con el cochecito Mytrax™ flex de Joie, estará utilizando un cochecito de alta calidad, totalmente certificado y aprobado por la norma de seguridad europea EN 1888-2:2018. Este producto es adecuado para niños de hasta 22 kg o 4 años, lo que ocurra primero. Lea detenidamente este manual y siga cada paso para garantizar que su bebé viaje cómodamente y esté protegido de la mejor manera posible.

Importante- Lea detenidamente y conserve estas instrucciones para futuras consultas.

¡Visítenos en joiebaby.com para descargar manuales y conocer otros fantásticos productos de Joie!

Para información sobre la garantía, por favor visite nuestra web joiebaby.com

Índice

Figuras	1-11
ADVERTENCIA	47
Montaje del cochecito	49
Abrir el cochecito	49
Montaje y desmontaje de la rueda delantera	49
Montaje y desmontaje de la rueda trasera	49
Montaje y desmontaje del reposabrazos	49
Montaje de la capota	49
Montaje y desmontaje del sujetavaso	49
Funcionamiento del cochecito	49
Ajuste del respaldo	49
Uso de la hebilla	50
Uso de los arneses de los hombros y la cintura	50
Ajuste del soporte para los gemelos	50
Uso del bloqueo de las ruedas giratorias delanteras	50
Uso del freno	51
Uso de la capota	51
Ajuste del manillar	51
Uso del protector del arnés para los hombros y del arnés de la pelvis	51
Plegado del cochecito	51
Uso de los accesorios	51
Desmontaje y montaje del acolchado	52
Limpieza y mantenimiento	52

Emergencia

En caso de emergencia o accidente, es muy importante que su bebé reciba primeros auxilios y tratamiento médico de inmediato.

Información del producto

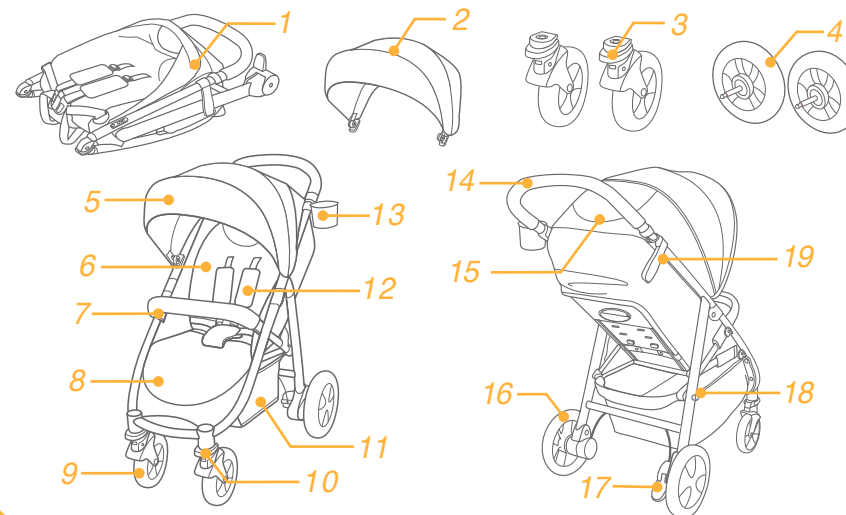
Lea todas las instrucciones incluidas en este manual antes de utilizar este producto. Si tiene alguna duda, póngase en contacto con su proveedor. Algunas características pueden variar según el modelo.

Producto	Cochecito Mytrax flex
Apto para	Este producto es adecuado para niños de hasta 22 kg o 4 años, lo que ocurra primero.
Materiales	Plástico, metal, tela
Patente n.º	Pendiente de patente
Fabricado en	China
Nombre de la marca	Joie
Sitio Web	www.joiebaby.com
Fabricante	Allison GmbH

Lista de piezas

Asegúrese de que están disponibles todas las piezas antes de montar el producto. Si falta alguna pieza, póngase en contacto con su proveedor local. No se necesita ninguna herramienta para el montaje.

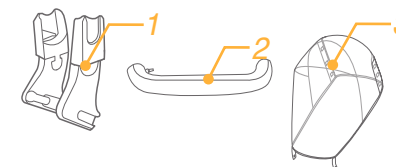
- | | | | |
|--------------------------|-------------------------------------|-------------------------|------------------------------|
| 1 Manillar del cochecito | 7 Reposabrazos | 12 Arnés de los hombros | 18 Soporte de almacenamiento |
| 2 Capota | 8 Soporte para los gemelos | 13 Sujetavaso | 19 Bloqueo de almacenamiento |
| 3 Rueda delantera | 9 Rueda delantera | 14 Manillar | |
| 4 Rueda trasera | 10 Bloqueo de las ruedas giratorias | 15 Ventana de la capota | |
| 5 Capota | 11 Cesta de almacenamiento | 16 Rueda trasera | |
| 6 Acolchado del asiento | | 17 Palanca del freno | |



Accesorios

(es posible que no estén incluidos)

- 1 Adaptador (en algunos modelos)
- 2 Funda del reposabrazos (en algunos modelos)
- 3 Cubre lluvia (en algunos modelos)



Es posible que los accesorios se vendan por separado o no estén disponibles, dependiendo de la región.

ADVERTENCIA

- ! ADVERTENCIA Asegúrese de que todos los dispositivos de cierre están engranados antes del uso.
- ! ADVERTENCIA Para evitar lesiones, asegúrese de que el niño se mantiene alejado durante el desplegado y el plegado de este producto.
- ! ADVERTENCIA No permita que el niño juegue con este producto.
- ! ADVERTENCIA Use siempre el sistema de retención.
- ! ADVERTENCIA Compruebe que los dispositivos de sujeción del capazo, del asiento o de la silla de auto están correctamente engranados antes del uso.
- ! El montaje solo podrá ser realizado por personas adultas.
- ! Este cochecito está diseñado para niños con un peso inferior a 22 kg. Si lo utiliza un niño con un peso superior, podrían producirse daños en el cochecito.
- ! Para evitar riesgos y la inestabilidad del producto, no deberá colocar objetos que sumen en total un peso superior a 4,5 kg en la cesta de almacenamiento.
- ! El peso máximo recomendado para el sujetavaso es de 0,5 kg.
- ! No deje nunca al niño desatendido. Vigílelo en todo momento mientras esté montado en el cochecito.
- ! No utilice el cochecito para transportar a más de un niño a la vez. Nunca coloque bolsos, bolsas de la compra, paquetes ni ningún otro objeto en el manillar ni en la capota.
- ! No utilice accesorios que no estén aprobados por el fabricante. Utilice únicamente las piezas de recambio proporcionadas o recomendadas por el fabricante.
- ! Si lo sobrecarga, lo pliega incorrectamente o lo utiliza con piezas de otros fabricantes, el cochecito podría sufrir daños, romperse o dejar de ser seguro. Lea el manual de instrucciones detenidamente.
- ! Lea todas las instrucciones incluidas en el manual antes de utilizar el producto. Guarde este manual de instrucciones para futuras consultas. Si no sigue estas advertencias e instrucciones, podrían producirse graves lesiones o, incluso, la muerte.
- ! Para evitar lesiones graves como consecuencia de caídas o resbalones, mantenga al niño sujeto con el cinturón del asiento en todo momento.
- ! Cuando ajuste el cochecito, asegúrese de que no haya ninguna parte del cuerpo del niño en contacto con las partes móviles.
- ! Asegúrese de que el cochecito está totalmente abierto o plegado antes de permitir que el niño se acerque a él.
- ! El niño podría resbalarse por las aberturas para las piernas y estrangularse si no está sujeto con el arnés.
- ! Nunca utilice el cochecito en escaleras mecánicas o convencionales.
- ! Manténgalo alejado de objetos a altas temperaturas, líquidos y aparatos electrónicos.
- ! Nunca deje que su hijo se ponga de pie sobre el cochecito ni se siente en él con la cabeza orientada hacia adelante del cochecito.

- ! Nunca coloque el cochecito en carreteras, cuestas o zonas peligrosas.
- ! Para evitar el riesgo de estrangulamiento, NO coloque objetos con cordones alrededor del cuello del niño, no deje que cuelguen cordones de este producto ni ate los cordones a ningún juguete.
- ! Si cuelga algún objeto del manillar, de la parte trasera del respaldo o de los laterales del cochecito, la estabilidad del cochecito se verá afectada.
- ! NO levante el cochecito mientras el niño esté montado en él.
- ! NO utilice la cesta de almacenamiento como portabebés.
- ! Para evitar que pueda volcar, nunca permita que el niño trepe por el cochecito. Siempre suba y baje al niño del cochecito.
- ! Tenga cuidado de no pillarse los dedos cuando pliegue y despliegue el cochecito.
- ! Para evitar lesiones, asegúrese de que su hijo está alejado del producto cuando lo pliegue y lo despliegue.
- ! Para garantizar la seguridad del niño, asegúrese de que todas las piezas están montadas y bien sujetas antes de utilizar el cochecito.
- ! Para evitar el riesgo de estrangulamiento, asegúrese de que su hijo se mantiene alejado de la capota.
- ! Accione siempre los frenos cuando aparque el cochecito.
- ! Deje de utilizar el cochecito si presenta daños o roturas.
- ! El cochecito solo se debe utilizar a una velocidad de paseo. Este producto no es adecuado para utilizarlo mientras se corre.
- ! Para evitar quemaduras, nunca coloque líquidos calientes en el sujetavaso.
- ! Para evitar el riesgo de asfixia, retire la bolsa de plástico y los materiales de embalaje antes de utilizar este producto. A continuación, deberá mantener la bolsa de plástico y los materiales de embalaje fuera del alcance de bebés y niños.
- ! Este producto no es adecuado para correr o patina.
- ! En el caso de los recién nacidos, le recomendamos que el asiento diseñado para utilizarse desde el nacimiento lo coloque en la posición lo más reclinada posible.
- ! El dispositivo de estacionamiento deberá estar accionado cuando coloque y retire al niño.
- ! En los dispositivos de sujeción para niños que se utilicen con un chasis, este vehículo no sustituye a una cuna ni una cama. Si su hijo necesita dormir, deberá colocarlo sobre una cuna, una cama o un capazo adecuado.
- ! El capazo es adecuado únicamente para un bebé que no pueda sentarse sin ayuda, girarse o levantarse sobre sus manos y/o rodillas. El peso máximo del bebé no debe exceder los 9 Kg.
- ! No use o añada otro colchón diferente al que se proporciona con el capazo.
- ! Este producto es adecuado para niños de hasta 22 kg o 4 años, lo que ocurra primero.

Montaje del cochecito

Lea todas las instrucciones incluidas en este manual antes de montar y utilizar este producto.

Abrir el cochecito

Consulte las imágenes 1 - 2

Separe el bloqueo de almacenamiento del soporte de almacenamiento 1 y, a continuación, levante el manillar hacia arriba 2; escuchará el sonido de un clic cuando el cochecito esté completamente abierto.

! Asegúrese de que el cochecito está completamente bloqueado antes de continuar utilizándolo.

Montaje y desmontaje de la rueda delantera

Consulte las imágenes 3 - 4

Montaje y desmontaje de la rueda trasera

Consulte las imágenes 5 - 6

Montaje y desmontaje del reposabrazos

Consulte las imágenes 7 - 8

Montaje de la capota

Consulte las imágenes 9 - 10

Montaje y desmontaje del sujetavaso

Consulte las imágenes 11 - 12

El cochecito montado completamente aparece en la figura 13.

Funcionamiento del cochecito

Ajuste del respaldo

Consulte las imágenes 14 - 15

El respaldo puede colocarse en 4 ángulos de inclinación.

Reclinar el respaldo

Para reclinar el respaldo, presione el asa de inclinación de la parte posterior del asiento y empuje el respaldo hacia abajo. 14

Subir el respaldo

Para subir el respaldo, levántelo. 15

! Asegúrese de que ajusta la inclinación de forma adecuada para su uso.

Uso de la hebilla

Consulte las imágenes 16 - 17

Desbloquear la hebilla

Pulse el botón central para desbloquear la hebilla. 16

Bloquear la hebilla

Alinee la hebilla del cinturón de la cintura con la hebilla de las correas de los hombros 17 - 1 y encájelas en la hebilla central hasta que escuche un clic. 17 - 2. El sonido de un "clic" le indicará que la hebilla está bloqueada completamente. 17 - 3

! Con el fin de evitar lesiones graves como consecuencia de caídas o resbalones, mantenga al niño sujeto con el arnés en todo momento.

! Asegúrese de que su hijo quede cómodamente sujeto. Cerciórese de que el espacio entre el niño y el arnés de los hombros sea el del grosor de una mano más o menos.

! No cruce los cinturones de los hombros. Si lo hace, podría presionar el cuello del niño.

Uso de los arneses de los hombros y la cintura

Consulte las imágenes 18 - 21

! Con el fin de proteger al niño contra caídas, después de colocarlo en el asiento, compruebe si la altura y el largo de los arneses de los hombros y la cintura son los adecuados.

18 - 1 Gancho A del arnés de los hombros

18 - 2 Gancho B del arnés de los hombros

18 - 3 Ajuste deslizante

Para los niños más altos, utilice el gancho A del arnés de los hombros y las ranuras de los hombros más altas. Para los niños más pequeños, utilice el gancho B del arnés de los hombros y las ranuras de los hombros más bajas.

Para ajustar la posición del gancho del arnés de los hombros, gire el gancho para alinearlos con la parte que está orientada hacia adelante. Enhébrelo por la ranura del arnés de los hombros desde atrás hacia adelante.

19 Vuelva a enhebrarlo por la ranura que esté más cerca de la altura de los hombros del niño. 20

Utilice el ajuste deslizante para cambiar la longitud del arnés. 21 - 1

Pulse el botón 21 - 2 y tire al mismo tiempo del arnés de la cintura hasta que la longitud sea la adecuada. 21 - 3

Ajuste del soporte para los gemelos

Consulte las imágenes 22

Se puede colocar el soporte para los gemelos en 2 posiciones distintas.

Para elevar el soporte para los gemelos, tire de él hacia arriba. Cuando oiga un "clic" significará que el soporte para los gemelos está bloqueado completamente.

Para bajar el soporte para los gemelos, pulse los botones de ajuste ubicados a ambos lados del soporte para los gemelos 22 - 1 y gire el soporte para los gemelos hacia abajo. 22 - 2

Uso del bloqueo de las ruedas giratorias delanteras

Consulte las imágenes 23

Tire hacia arriba de los bloqueos de las ruedas giratorias delanteras para mantener la dirección del movimiento. 23

Consejo se recomienda utilizar los bloqueos de las ruedas giratorias sobre las superficies irregulares.

Uso del freno

Consulte las imágenes 24 - 25

Para bloquear las ruedas, pise sobre la palanca del freno empujándola hacia abajo. 24

Para desbloquear las ruedas, simplemente levante la palanca del freno hacia arriba. 25

Consejo ponga siempre el freno de estacionamiento cuando el cochecito no se esté moviendo.

Uso de la capota

Consulte las imágenes 26

La capota puede abrirse o plegarse tirando de ella hacia delante o hacia atrás.

La capota se puede abrir completamente para proteger al niño del sol lo máximo posible. Basta con abrir la cremallera 26 y tirar de la capota hacia delante.

La capota incorpora una ventana a través de la cual puede ver a su bebé.

Ajuste del manillar

Consulte las imágenes 27

Uso del protector del arnés para los hombros y del arnés de la pelvis

La funda del arnés de los hombros o del arnés de la pelvis puede extraerse desde la cincha. Para montar la funda del arnés de los hombros o del arnés de la pelvis, siga los mismos pasos a la inversa.

Plegado del cochecito

Consulte las imágenes 28 - 31

! Pliegue la capota antes de plegar el cochecito.

1. Tire de la cincha de pliegue hacia arriba y el armazón se plegará automáticamente hacia atrás. 29 - 1

2. El bloqueo de almacenamiento quedará sujeto automáticamente en el soporte de almacenamiento y el cochecito quedará completamente plegado y bloqueado. 30

3. El cochecito puede ponerse de pie una vez plegado. 31

Uso de los accesorios

Es posible que los accesorios se vendan por separado o no estén disponibles, dependiendo de la región.

Uso con el dispositivo de sujeción para niños

Consulte las imágenes 32 - 35

Cuando lo utilice con el dispositivo de sujeción para niños Gemm, iGemm 2, i-Snug & iLevel de Joie, consulte las siguientes instrucciones:

! Antes de utilizar el dispositivo de sujeción para niños, asegúrese de ajustar el respaldo a la posición más baja y de fijar el dispositivo de sujeción para niños.

! Si experimenta algún problema al utilizar el dispositivo de sujeción para niños, consulte sus propios manuales de instrucciones.

! No pliegue el cochecito con el dispositivo de sujeción para niños instalado.

Desmontaje y montaje del acolchado

Consulte las imágenes 39 - 50

1. Quite la funda del reposabrazos como se muestra en la ilustración 39

2. Abra la cremallera de la parte posterior de la capota. 40

! Ajuste el respaldo a la posición más baja para poder retirar cómodamente el acolchado.

3. Retire la funda del soporte de los gemelos. 41

4. Abra la hebilla de la parte inferior del asiento. 42

! Por favor, extraiga y guarde cuidadosamente las piezas de soporte, ya que deben instalarse de nuevo cuando monte la funda. 49 50

Para volver a instalar el acolchado del asiento, siga los pasos anteriores en orden inverso 50 - 39

Uso con el capazo Joie

consulte las imágenes 51 - 52

Cuando se utilice con el capazo Joie Ramble, ramble xl consulte las siguientes instrucciones.

! Si tiene alguna duda al utilizar el capazo debe consultar el manual de instrucciones del mismo.

! Utilice siempre el capazo con el colchón suministrado.

! Por favor, no pliegue la silla de paseo con el capazo instalado.

UTILICE EL COBERTOR DE LLUVIA

consulte las imágenes 53

Para ensamblar la cubierta contra la lluvia, póngala sobre la carriola y después adjunte 8 parejas de ganchos y anillos de sujeción y 2 parejas de grapas para la cubierta contra la lluvia. 53

! Antes de utilizar el protector de lluvia verifique que el respaldo ha sido colocado en su posición más baja y la silla de auto bien ajustada y asegurada

! Cuando utilice el protector de lluvia siempre verifique la ventilación

! Cuando no la utilice verifique que esta completamente seca y limpia

! No pliegue el coche con el protector de lluvia colocado

! No coloque al niño en el coche, con el protector de lluvia cuando sea un día soleado o caluroso.

Limpieza y mantenimiento

Consulte las imágenes 54

! Para limpiar el manillar del cochecito, utilice únicamente jabón para uso doméstico y agua tibia. No utilice lejía ni detergente. Consulte la etiqueta de cuidados para ver las instrucciones acerca de la limpieza de las partes de tela del cochecito.

! Las telas extraíbles pueden lavarse a máquina sin lejía. No escurra las telas ni los acolchados interiores retorciéndolos, ya que podrían aparecer arrugas.

! Examine periódicamente su cochecito por si tuviera tornillos sueltos, piezas desgastadas, materiales dañados o descosidos. Sustituya o repare las piezas que lo requieran. Limpie periódicamente las partes de plástico con un paño suave y húmedo. Seque siempre las partes metálicas para evitar que se oxiden si el cochecito ha estado en contacto con el agua.

! Una exposición excesiva al sol o al calor podría decolorar o deformar las piezas.

! Si se moja el cochecito, abra la capota y deje que se seque completamente antes de guardarlo.

! Si chirrían las ruedas, utilice un aceite suave (por ejemplo: espray de silicona, aceite antioxidante o aceite para máquinas de coser). Es importante que el aceite llegue al ensamblaje de las ruedas y el eje. 54

! Cuando utilice su cochecito en la playa o en otros entornos con arena o polvo, límpielo completamente después de usarlo para eliminar cualquier resto de arena y sal que haya podido quedar en los ensamblajes de las ruedas y los mecanismos.

Parabéns por fazer parte da família Joie! É um prazer fazer parte da sua viagem com seu filho. Enquanto estiver usando o Joie Mytrax™ flex, você estará usando um carrinho de bebê de alta qualidade, totalmente certificado, aprovado com os padrões europeus de segurança EN 1888-2:2018. Este produto é indicado para crianças com menos de 22 kg ou 4 anos, o que ocorrer primeiro. Leia atentamente este manual e siga cada passo para uma viagem confortável e a melhor proteção para o seu filho.

Importante - Leia cuidadosamente e guarde para futura referência.

Visite-nos em joiebaby.com para baixar manuais e ver mais emocionantes produtos Joie!

Para informações de garantia, visite nosso website em joiebaby.com

Índice

Figuras	1-11
ADVERTÊNCIA	55
Montagem do Carrinho de Bebê	57
Abrir o carrinho de bebê	57
Montar e soltar as rodas dianteiras	57
Montar e soltar as rodas traseiras	57
Montar e soltar a barra de braço	57
Montar a capota	57
Montagem e desmontagem o porta copo	57
Operação do Carrinho de Bebê	57
Ajuste do encosto	57
Usar a fivela	58
Usar cinto de ombro e cintura	58
Ajustar o suporte da panturrilha	58
Usar a trava articulada frontal	58
Usar o freio	59
Usar a capota	59
Ajuste da alça	59
Use a capa de cinto de ombro e capa de cinto de virilha	59
Dobrar o carrinho de bebê	59
Usar acessórios	59
Separar e montar as partes macias	60
Limpeza e Manutenção	60

Emergência

Em caso de emergência ou acidentes, é mais importante fornecer ao seu filho imediatamente os primeiros socorros e o tratamento médico.

Informações do Produto

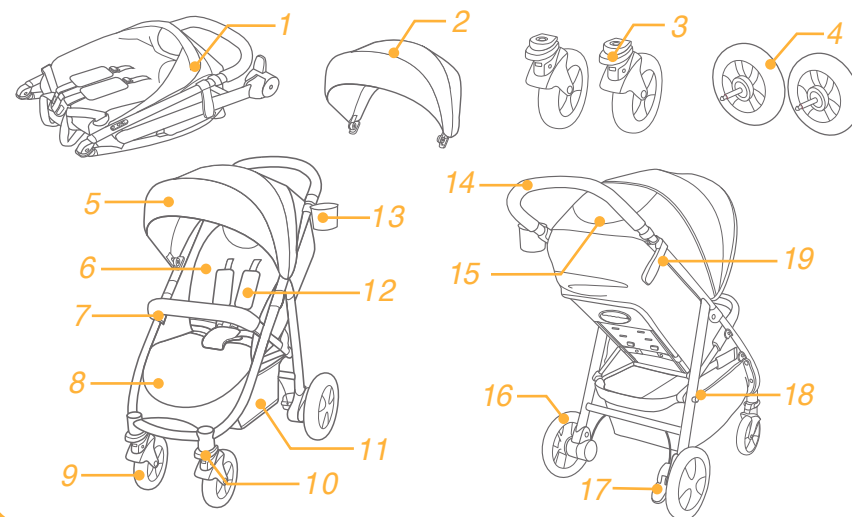
Leia todas as instruções deste manual antes de utilizar o produto. Se tiver quaisquer dúvidas, contate o revendedor. Os recursos podem variar dependendo do modelo.

Produto	Carrinho Mytrax flex
Adequado para primeiro.	Este produto é indicado para crianças com menos de 22 kg ou 4 anos, o que ocorrer primeiro.
Materiais	Plásticos, metais, tecidos
Patente nº.	Patente pendente
Fabricado na	China
Nome da marca	Joie
Website	www.joiebaby.com
Fabricante	Allison GmbH

Lista de peças

Certifique-se de que todas as peças estão disponíveis antes da montagem. Se alguma parte estiver faltando, entre em contato com o representante local. Não são necessárias ferramentas para a montagem.

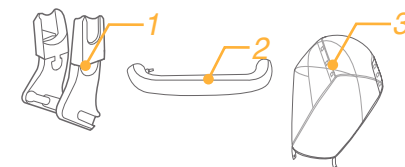
1 Estrutura de carrinho de bebê	7 Barra de braço	12 Cinto de ombros	18 Montagem de armazenamento
2 Capota	8 Suporte de panturrilha	13 Suporte de copo	19 Fecho de armazenamento
3 Roda frontal	9 Roda traseira	14 Alça	
4 Roda traseira	10 Elo giratório	15 Janela do dossel	
5 Capota	11 Cesta para armazenamento	16 Roda traseira	
6 Almofada do assento		17 Alavanca de Freio	



Acessórios

(Podem não estar incluídos)

- 1 Adaptador (em alguns modelos)
- 2 Cobertura da barra de braço (em determinados modelos)
- 3 Capa de chuva (em determinados modelos)



Os acessórios podem ser vendidos separadamente ou podem não estar disponíveis dependendo da região.

ADVERTÊNCIA

- ! ADVERTÊNCIA Verifique se todos os pontos de encaixe estão bem fixos antes de usar o produto.
- ! ADVERTÊNCIA Para evitar lesões, assegure-se de que a criança está afastada do produto enquanto o abre e fecha.
- ! ADVERTÊNCIA Não deixe a criança brincar com este produto.
- ! ADVERTÊNCIA Utilize sempre o sistema de retenção.
- ! ADVERTÊNCIA Verifique que a alcofa, o assento reversível ou a cadeira auto estão corretamente encaixados antes de usar o product.
- ! É preciso que a montagem seja realizada por um adulto.
- ! Use o carrinho com uma criança com menos de 22kg. Causará danos ao carrinho com uma criança com peso superior.
- ! Para evitar uma condição perigosa, instável, não coloque mais de 4,5 kg no cesto de armazenamento.
- ! O peso máximo recomendado no suporte de copo é 0,5 kg (1 lbs).
- ! Nunca deixe a criança sozinha. Observe-o sempre enquanto ele estiver no carrinho.
- ! Use o carrinho de bebê com apenas uma criança por vez. Nunca coloque bolsas, sacolas, sacos ou itens de acessórios na alça ou na capota.
- ! Não devem ser utilizados acessórios não aprovados pelo fabricante. Apenas peças de reposição fornecidas ou recomendadas pelo fabricante devem ser usadas.
- ! Sobrecarregar, dobrar incorretamente ou usar componentes de outros fabricantes pode causar danos ao carrinho, quebrar ou deixá-lo inseguro. Por favor leia este manual de instruções cuidadosamente.
- ! Leia todas as instruções deste manual antes de utilizar o produto. Guarde este manual de instruções para uso futuro. A não observância dessas instruções pode resultar em ferimento grave ou morte.
- ! Para evitar ferimentos graves devido a queda ou escorregamento, utilize sempre o cinto.
- ! Certifique-se que o corpo do seu filho está livre das partes móveis ao ajustar o carrinho.
- ! Certifique-se que o carrinho está totalmente aberto ou dobrado antes de deixar a criança se aproximar
- ! A criança pode escorregar nas aberturas para perna e ser estrangulada se o cinto não for usado.
- ! Nunca utilize o carrinho de passeio em escadas ou escadas rolantes.
- ! Mantenha longe de objetos de alta temperatura, líquidos e eletrônicos.
- ! Nunca deixe sua criança de pé no carrinho ou sentada no carrinho com a cabeça voltada para frente do carrinho.
- ! Nunca coloque o carrinho em estradas, encostas ou áreas perigosas.

- ! Para evitar estrangulamento, NÃO coloque os itens com uma cinta em torno do pescoço da criança, suspenda as cintas deste produto, ou acople as cintas aos brinquedos.
- ! Qualquer carga pendurada à alça na parte traseira do encosto ou nas laterais do carrinho afetarão a estabilidade do carrinho.
- ! NÃO levante o carrinho enquanto a criança está no carrinho.
- ! NÃO use cesta de armazenamento como transporte para criança.
- ! Para evitar tombamento, nunca deixe a criança subir no carrinho. Levante sempre a criança dentro e fora do carrinho.
- ! Para evitar prender o dedo, tenha cuidado quando dobrar e desdobrar o carrinho.
- ! Para evitar ferimentos, certifique-se de que seu filho é mantido afastado quando desdobrar e dobrar este produto.
- ! Para garantir a segurança da criança, certifique-se que todas as partes estão montadas e fixadas corretamente antes de utilizar o carrinho de passeio.
- ! Para evitar o estrangulamento, certifique-se de que seu filho está livre da capota.
- ! Sempre acione os freios quando estacionar o carrinho.
- ! Descontinue o uso do carrinho, se ele estiver danificado ou quebrado.
- ! O carrinho de bebê deve ser usado apenas na velocidade de caminhada. Este produto não é para uso em corridas.
- ! Para evitar queimaduras, nunca coloque líquidos quentes no suporte para copos.
- ! Para evitar asfixia, retire o saco de plástico e materiais de embalagem antes de usar este produto. O saco plástico e materiais de embalagem devem, então, ser mantidos afastados de bebês e crianças.
- ! Não é conveniente utilizar este produto para correr ou patinar.
- ! O carrinho de bebê, concebido para ser usado desde o nascimento, deve recomendar o uso da posição mais reclinada para bebês recém-nascidos.
- ! O dispositivo de estacionamento deve permanecer engatado quando colocar e retirar as crianças.
- ! Para retenção de crianças usado em conjunto com um chassi, este veículo não substitui um berço ou uma cama. Se seu filho precisar dormir, então ele deve ser colocado em um berço ou cama apropriado.
- ! O mosés é adequado só para uma criança que não pode levar-se sem ajuda, rolar-se ou levar-se com a ajuda das mãos ou dos joelhos. O peso máximo da criança: 9 kg
- ! NÃO acrescente ou utilize outro colchão que aquilo fornecido junto com o mosés.
- ! Este produto é indicado para crianças com menos de 22 kg ou 4 anos, o que ocorrer primeiro.

Montagem do Carrinho de Bebê

Leia todas as instruções neste manual antes de montar e usar este produto.

Abrir o carrinho de bebê ver imagens 1 - 2

Trava de armazenamento separada da montagem 1 de armazenamento e, em seguida, levante a alça 2, um som de clique significa que o carrinho está aberto completamente.

! Verifique se o carrinho está completamente travado antes de usar.

Montar e soltar as rodas dianteiras ver imagens 3 - 4

Montar e soltar as rodas traseiras ver imagens 5 - 6

Montar e soltar a barra de braço ver imagens 7 - 8

Montar a capota ver imagens 9 - 10

Montagem e desmontagem o porta copo ver imagens 11 - 12

O carrinho completamente montado é mostrado como na Figura 13.

Operação do Carrinho de Bebê

Ajuste do encosto ver imagens 14 - 15

Existem 4 ângulos de reclinção para o encosto.

Reclinar o encosto

Para reclinar o encosto, aperte a alça de inclinação na parte de trás do assento, puxe para baixo no encosto.

14

Levantar o encosto

Para levantar o encosto, empurre. 15

! Certifique-se que o encosto está colocado corretamente para uso.

Usar a fivela ver imagens 16 - 17

Fivela de liberação

Pressione o botão central para soltar a fivela. 16

Fivela de trava

Combine o fecho do cinto da cintura com o fecho do cinto de ombro 17 - 1 e encaixe no fecho central. 17 - 2. Um som de "clique" significa que a fivela está travada completamente. 17 - 3

! Para evitar ferimentos graves devido a queda ou escorregamento, sempre prenda seu filho no cinto.

! Certifique-se que a criança está confortavelmente segura. O espaço entre a criança e a correia de ombro é de aproximadamente a espessura de uma mão.

! Não cruze os cintos de ombro. Isso fará pressão no pescoço da criança.

Usar cinto de ombro e cintura ver imagens 18 - 21

! Para proteger seu filho de quedas, depois que seu filho for colocado no assento, verifique se os cintos de ombro e cintura estão na altura e comprimento apropriados.

18 - 1 Âncora de cinto de ombro A

18 - 2 Âncora de cinto de ombro B

18 - 3 Ajuste deslizante

Para crianças maiores, use cinto de âncora de cinto de ombro A e as ranhuras de ombro mais altas. Para crianças menores, use cinto de âncora de cinto de ombro B e as ranhuras de ombro mais baixas.

Para ajustar a posição da âncora do cinto de ombro, vire a âncora para ficar nivelada com o lado virado para a frente. Passe-o através da ranhura de cinto de ombro de trás para frente. 19 Passe-o novamente através da ranhura que fica mais próxima da altura do ombro da criança. 20

Use o ajuste deslizante para alterar o comprimento do cinto. 21 - 1

Pressione o botão 21 - 2, ao puxar o cinto de cintura para o comprimento correto. 21 - 3

Ajustar o suporte da panturrilha ver imagens 22

O apoio da perna tem 2 posições.

Para levantar o apoio de perna, empurre-o para cima. Um som de "clique" significa que a panturrilha está travada completamente.

Para baixar o suporte de panturrilha, pressione os botões de ajuste em ambos os lados do suporte de perna 22 - 1 e gire o suporte para baixo. 22 - 2

Usar a trava articulada frontal ver imagens 23

Empurre para cima os bloqueios de giro frontal para manter a direção do movimento. 23

Dica

É recomendável usar bloqueios giratórios em superfícies irregulares.

Usar o freio ver imagens 24 - 25

Para travar as rodas, pise na alavanca do freio para baixo. 24

Para liberar as rodas, basta levantar a alavanca do freio. 25

Dica Sempre acione o freio de estacionamento quando o carrinho de criança não estiver se movendo.

Usar a capota ver imagens 26

A capota pode ser aberta ou dobrada, puxe-a para frente ou para trás.

A capota (dossel) pode ser aberta completamente, para proteger seu filho do sol, basta descompactar o zip 26 e puxar a capota para frente.

Há uma janela na capota, através da qual você pode ver seu bebê.

Ajuste da alça ver imagens 27

Use a capa de cinto de ombro e capa de cinto de virilha

A cobertura ou tampa do cinto da virilha pode ser removida a partir da teia. Para montar a capa do cinto de ombro e capa de cinto de cinto da virilha em passos inversos.

Dobrar o carrinho de bebê ver imagens 28 - 31

! Por favor, dobre a capota antes de dobrar o carrinho.

1. Puxe os cintos dobrando para cima, a estrutura automaticamente irá dobrar para trás. 29 - 1
2. A trava de armazenamento automaticamente prende no suporte de armazenamento e, em seguida, o carrinho é dobrado e fechado completamente. 30
3. O carrinho pode ficar de pé quando dobrado. 31

Usar acessórios

Os acessórios podem ser vendidos separadamente ou podem não estar disponíveis dependendo da região.

Uso com o dispositivo de retenção infantil ver imagens 32 - 33

Ao usar com retenção Gemm, iGemm 2, i-Snug & iLevel infantil da Joie, por favor, consulte as instruções a seguir.

- ! Antes de utilizar o dispositivo de retenção infantil, por favor certifique-se que o encosto foi ajustado na posição mais baixa e o dispositivo de retenção infantil foi fixado.
- ! Se você tiver qualquer problema sobre como usar o dispositivo de retenção infantil, consulte por favor seus próprios manuais de instrução.
- ! Por favor, não dobre o carrinho quando o dispositivo de retenção infantil ainda estiver anexado.

Separar e montar as partes macias ver imagens 39 - 50

1. Retire a tampa da trava de braço mostrada como 39
2. Abra o zíper que está no painel traseiro da capota. 40
 - ! Ajuste o encosto na posição mais baixa para ser conveniente remover as partes macias.
3. Remova a capa do suporte de panturrilha. 41
4. Abra a fivela que está embaixo do assento. 42
 - ! Por favor mantenha a placa de apoio cuidadosamente, deve montar a placa de apoio na montagem de partes macias. 49 50

Para montar as partes macias do assento, siga as etapas acima, em sentido inverso 50 - 39

Use com moisés do carrinho Joie ver imagens 51 - 52

Ao usar com o moisés do carrinho Joie ramble, ramble xl, por favor consulte as instruções a seguir.

- ! Se você tiver qualquer problema sobre como usar o moisés do carrinho, consulte por favor seus próprios manuais de instrução.
- ! Sempre use o colchão quando utilizar o moisés do carrinho.
- ! Por favor não dobre carrinho quando anexar o moisés.

Utilização capa de chuva ver imagens 53

Para montar a capa de chuva, coloque-a sobre o carrinho e fixe os 8 pares de ganchos, laços e de ilhós na capa de chuva. 53

- ! Antes de usar a capa de chuva, certifique-se que o encosto foi ajustado para a posição mais baixa e que o assento de carro foi fixado.
- ! Ao utilizar a capa de chuva, por favor verifique sempre sua ventilação.
- ! Enquanto a capa de chuva não for utilizada, verifique se foi limpa e seca antes de dobramento.
- ! Não dobre o carrinho após o montagem da capa de chuva.
- ! Não coloque sua criança no carrinho com a capa de chuva montada na temporada quente.

Limpeza e Manutenção ver imagens 54

- ! Para limpar a estrutura, use apenas água morna e sabão. Sem alvejante ou detergente. Consulte a etiqueta de cuidados para obter instruções sobre a limpeza das telas da tela do carrinho.
- ! Partes macias podem ser lavadas a máquina. Não usar alvejante. Não torça a cobertura do assento e acolchoado interior macio para secar com grande força. Poderá deixar a cobertura do assento e acolchoado interior macio com rugas.
- ! De vez em quando, verifique seu carrinho para parafusos soltos, peças desgastadas, rasgadas ou costura. Substitua ou repare as peças como necessário. Periodicamente, limpe as partes de plástico com um pano úmido. Sempre seque as partes metálicas para evitar a formação de ferrugem se o carrinho tiver que entrar em contato com a água.
- ! A exposição excessiva ao sol ou calor pode causar desbotamento ou deformação das peças.
- ! Se carrinho ficar molhado, abra a capota e deixe secar completamente antes de guardar.
- ! Se as rodas estiverem rangendo, use um óleo leve (ex., Spray de silicone, óleo antiferrugem ou óleo de máquina de costura). É importante obter o óleo para o conjunto do eixo e roda. 54
- ! Quando utilizar o carrinho na praia ou outros ambientes com areia/poeira, limpe completamente o seu carrinho após o uso para remover a areia e o sal dos mecanismos e rodas.

PL Witamy w Joie™

Gratulujemy wstąpienia do rodziny Joie! Bardzo cieszymy się na wspólną radość przy wychowywaniu dziecka. Joie Mytrax™ flex to wózek dziecięcy wysokiej jakości, wyposażony w komplet certyfikatów i zgodny z europejskimi normami bezpieczeństwa EN 1888-2:2018. Ten produkt jest przeznaczony dla dzieci o wadze do 22kg lub w wieku do 4 lat, zależnie od tego co nastąpi wcześniej. Prosimy o uważne przeczytanie tego podręcznika i wykonanie każdej czynności, aby zapewnić wygodną jazdę i najlepsze zabezpieczenie dziecka.

Ważne - Zatrzymaj te instrukcje do przyszłego zastosowania.

Zapraszamy na stronę joiebaby.com w celu pobrania podręczników i sprawdzenia innych atrakcyjnych produktów Joie!

W celu uzyskania informacji o gwarancji odwiedź naszą stronę internetową joiebaby.com

Spis treści

Rysunki	1-11
OSTRZEŻENIE	63
Montaż wózka dziecięcego	65
Rozkładanie wózka dziecięcego	65
Montaż i odłączanie kół przednich	65
Montaż i odłączanie kół tylnych	65
Montaż i odłączanie poprzeczki	65
Montaż daszka	65
Montaż i demontaż na pojemnik z napojem	65
Obsługa wózka dziecięcego	65
Regulacja oparcia na plecy	65
Używanie sprzączki	66
Używanie uprząży na barki i talię	66
Regulacja oparcia tydek	66
Używanie przedniej blokady obrotu	66
Używanie hamulca	67
Używanie daszka	67
Uchwyt regulacji	67
Używanie osłony uprząży na ramiona i osłony uprząży na krocze	67
Składanie wózka dziecięcego	67
Używanie akcesoriów	67
Odłączanie i montaż miękkich elementów	68
Czyszczenie i konserwacja	68

Sytuacje zagrożenia

W sytuacji zagrożenia lub po wypadku najważniejsze jest, aby udzielić dziecku pierwszej pomocy i jak najszybciej oddać je pod opiekę lekarza.

Informacje o produkcie

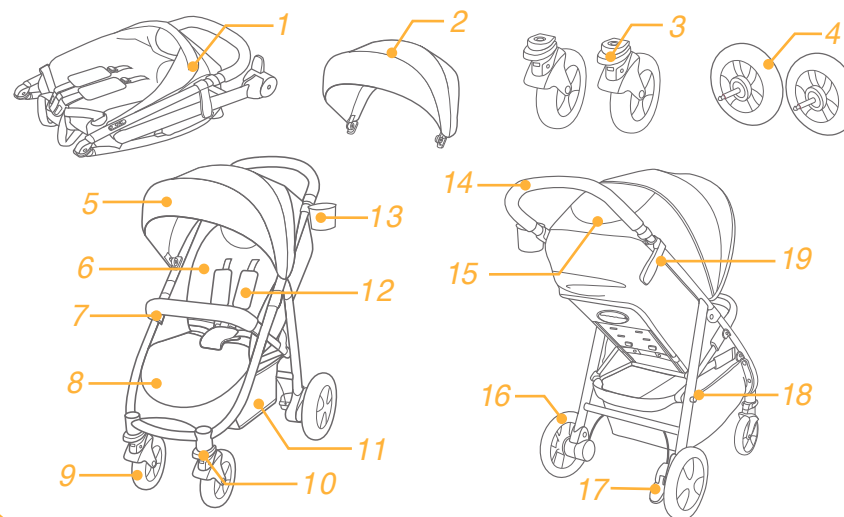
Przed rozpoczęciem używania tego produktu należy przeczytać wszystkie instrukcje z tego podręcznika. W przypadku jakichkolwiek dalszych pytań należy się skontaktować ze sprzedawcą. Niektóre funkcje zależą od modelu.

Produkt	Wózek dziecięcy Mytrax flex
Odpowiedni dla	dzieci o wadze do 22kg lub w wieku do 4 lat, zależnie od tego co nastąpi wcześniej.
Materiały	Tworzywa sztuczne, metal, tkaniny
Nr patentu	Trwa postępowanie patentowe
Wyprodukowano w	Chinach
Nazwa marki	Joie
Strona internetowa	www.joiebaby.com
Producent	Allison GmbH

Lista części

Przed montażem należy się upewnić, że dostępne są wszystkie części. Jeśli którejś z części brakuje, należy się skontaktować z lokalnym sprzedawcą. Do montażu nie są potrzebne żadne narzędzia.

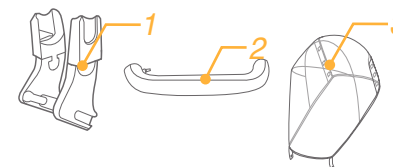
1 Rama wózka dziecięcego	6 Wkładka siedzenia	12 Uprząż na ramiona	17 Dźwignia hamulca
2 Daszek	7 Poprzeczka	13 Uchwyt na pojemnik z napojem	18 Element montażowy kosza
3 Koła przednie	8 Oparcie tydek	14 Uchwyt	19 Zatrask kosza
4 Koła tylne	9 Koła przednie	15 Okno daszka	
5 Daszek	10 Blokady obrotu	16 Koła tylne	
	11 Kosz		



Akcesoria

(Mogą nie być dostarczone)

- 1 Adapter (w niektórych modelach)
- 2 Osłona poprzeczki (w niektórych modelach)
- 3 Osłona przeciwdeszczowa (w niektórych modelach)



Akcesoria mogą być sprzedawane oddzielnie lub, w zależności od regionu, mogą nie być dostępne.

OSTRZEŻENIE

- ! OSTRZEŻENIE Upewnij się przed użyciem, czy wszystkie urządzenia blokujące są włączone.
- ! OSTRZEŻENIE Aby uniknąć obrażeń, upewnij się, czy twoje dziecko jest odsunięte kiedy rozkłada się lub składa niniejszy wyrób.
- ! OSTRZEŻENIE Nie pozwalaj dziecku bawić się niniejszym wyrobem.
- ! OSTRZEŻENIE Zawsze używaj systemu zapieć.
- ! OSTRZEŻENIE Sprawdź, czy urządzenia mocujące gondolę lub siedzisko lub fotelik samochodowy są prawidłowo załączone przed użyciem.
- ! Wymagany jest montaż przez osobę dorosłą.
- ! Wózek dziecięcy może być używany w przypadku dziecka o wadze poniżej 22 kg. Nieodpowiednia waga dziecka może spowodować uszkodzenie wózka.
- ! Aby zapobiec niebezpiecznym sytuacjom i niestabilności, w koszu nie należy umieszczać więcej niż 4,5 kg bagażu.
- ! Maksymalny, zalecany udźwieg uchwytu na pojemnik z napojem to 0,5 kg.
- ! Nigdy nie zostawiaj swojego dziecka bez opieki. Dziecko w wózku powinno być zawsze widoczne.
- ! W wózku dziecięcym może znajdować się jednocześnie tylko jedno dziecko. Nigdy nie należy zawieszać torebek, toreb na zakupy, paczek ani akcesoriów na uchwycie lub na daszku.
- ! Nie należy używać akcesoriów niezatwierdzonych przez producenta. Używać należy wyłącznie części zamiennych dostarczonych lub zalecanych przez producenta.
- ! Przeciążenie, nieprawidłowe złożenie lub używanie części składowych od innych producentów może spowodować uszkodzenie wózka dziecięcego, złamanie lub zagrożenie dla bezpieczeństwa. Należy dokładnie przeczytać instrukcję obsługi.
- ! Przed użyciem tego produktu należy przeczytać wszystkie instrukcje z tego podręcznika. Podręcznik należy zachować do przyszłego użycia. Niestosowanie się do tych ostrzeżeń i instrukcji może spowodować poważne obrażenia lub śmierć.
- ! Aby uniknąć poważnych obrażeń w wyniku upadku lub zsunienia, należy używać pasa bezpieczeństwa.
- ! Podczas regulacji wózka dziecięcego należy się upewnić, że dziecko znajduje się z dala od ruchomych części.
- ! Przed dopuszczeniem dziecka w pobliże wózka dziecięcego należy się upewnić, że wózek dziecięcy jest całkowicie otwarty lub złożony.
- ! Jeśli nie będzie używana uprząż, dziecko może ześlizgnąć się do szczebli na nogi i udusić się.
- ! Nigdy nie należy używać wózka dziecięcego na schodach lub w windach.
- ! Należy unikać obiektów o wysokich temperaturach, płynów i elektroniki.
- ! Nigdy nie należy pozwalać dziecku stawać w wózku lub siadać w wózku głową zwrócona w kierunku przodu wózka.

- ! Wózek dziecięcy nigdy nie należy ustawiać na drogach, stokach lub w niebezpiecznych miejscach.
- ! Aby uniknąć uduszenia, NIE wolno umieszczać na szyi dziecka elementów ze sznurkiem, pozostawiać wiszących sznurków na tym produkcie lub wiązać sznurków do zabawek.
- ! Wszelkie obciążenia przymocowane do uchwytu lub do oparcia tylnego albo z boków wózka dziecięcego wpłyną na stabilność wózka.
- ! NIE należy podnosić wózka, gdy znajduje się w nim dziecko.
- ! NIE należy używać kosza do przewożenia dziecka.
- ! Aby zapobiec przewróceniu, nigdy nie należy pozwalać dziecku na wspinanie się po wózku. Należy zawsze samodzielnie wkładać i wyjmować dziecko z wózka.
- ! Aby uniknąć przytraśnięcia palców, podczas składania i rozkładania wózka dziecięcego należy zachować ostrożność.
- ! Aby uniknąć obrażeń, podczas składania i rozkładania tego produktu należy się upewnić, że dziecko znajduje się w bezpiecznej odległości.
- ! Aby zapewnić bezpieczeństwo dziecka, przed użyciem wózka dziecięcego należy się upewnić, że wszystkie części zostały złożone i przymocowane prawidłowo.
- ! Aby uniknąć uduszenia, należy się upewnić, że dziecko znajduje się w bezpiecznej odległości od daszka.
- ! Podczas parkowania wózka dziecięcego należy zawsze uruchamiać hamulce.
- ! Należy zaprzestać używania wózka, jeśli zostanie on uszkodzony lub pęknięty.
- ! Wózek dziecięcy może być używany wyłącznie z prędkością spacerową. Ten produkt nie jest przeznaczony do używania podczas joggingu.
- ! Aby uniknąć poparzeń, nigdy nie należy umieszczać gorących płynów w uchwycie na pojemnik z napojem.
- ! Aby uniknąć uduszenia, przed użyciem tego produktu należy usunąć plastikowy worek i materiały pakujące. Plastikowy worek i materiały pakujące należy trzymać z dala od niemowląt i dzieci.
- ! Niniejszy wyrób nie jest odpowiedni do biegania ani jazdy na rolkach.
- ! Wózek dziecięcy przeznaczony dla dzieci od urodzenia, dla noworodków powinien być używany w najbardziej nachylonej pozycji.
- ! Podczas wkładania i wyjmowania dzieci należy uruchomić urządzenie parkingowe.
- ! Systemy przytrzymujących dla niemowląt, używane w połączeniu z podstawą w pojeździe, nie zastąpią łóżeczka dziecięcego lub łóżka. Gdy dziecko chce spać, należy je umieścić w odpowiednim wózku dziecięcym, łóżeczku dziecięcym lub na łóżku.
- ! Gondola nadaje się wyłącznie dla dziecka, które nie potrafi samodzielnie siadać, przewracać i podnosić się w górę na rękach lub kolanach. Maksymalna waga dziecka: 9 kg.
- ! NIE używaj i nie dodawaj żadnego innego materaca niż dostarczony z tą gondolą.
- ! Ten produkt jest przeznaczony dla dzieci o wadze do 22kg lub w wieku do 4 lat, zależnie od tego co nastąpi wcześniej.

Montaż wózka dziecięcego

Przed montażem i rozpoczęciem używania tego produktu należy przeczytać wszystkie instrukcje z tego podręcznika.

Rozkładanie wózka dziecięcego

patrz rysunki 1 - 2

Oddziel zatrzask kosza od elementu montażowego 1 kosza, a następnie unieś uchwyt do góry 2, dźwięk kliknięcia oznacza, że wózek dziecięcy jest całkowicie rozłożony.

! Przed kontynuacją należy sprawdzić, czy wózek dziecięcy jest całkowicie zatrzasknięty.

Montaż i odłączanie kół przednich

patrz rysunki 3 - 4

Montaż i odłączanie kół tylnych

patrz rysunki 5 - 6

Montaż i odłączanie poprzeczki

patrz rysunki 7 - 8

Montaż daszka

patrz rysunki 9 - 10

Montaż i demontaż na pojemnik z napojem

patrz rysunki 11 - 12

Całkowicie złożony wózek dziecięcy jest pokazany na rysunku 13.

Działanie wózka dziecięcego

Regulacja oparcia na plecy

patrz rysunki 14 - 15

4 kąty nachylenia oparcia pleców.

Nachylenie oparcia pleców

Aby nachylić oparcie pleców, ściśnij uchwyt nachylania z tyłu siedzenia, naciśnij w dół oparcie pleców. 14

Podnoszenie oparcia pleców

Aby podnieść oparcie pleców, naciśnij w górę. 15

! Upewnij się, że nachylenie jest ustawione prawidłowo.

Używanie sprzączki

patrz rysunki 16 - 17

Zwolnienie sprzączki

Naciśnij środkowy przycisk, aby zwolnić sprzączkę. 16

Sprzączka blokady

Dopasuj sprzączkę pasa talii do sprzączki na ramiona 17 - 1 i zatrzasknij w środkowej sprzączce. 17 - 2 Dźwięk zatrzasku oznacza, że sprzączka jest całkowicie zatrzasknięta. 17 - 3

! Aby uniknąć poważnych obrażeń w wyniku upadku lub zsunienia, należy zawsze zabezpieczyć dziecko uprzężą.

! Należy się upewnić, że dziecko jest dobrze zabezpieczone. Odległość pomiędzy dzieckiem a uprzężą na ramiona powinna wynosić około grubości jednej dłoni.

! Nie należy krzyżować pasów na ramiona. Może to spowodować nacisk na kark dziecka.

Używanie uprząży na barki i talię

patrz rysunki 18 - 21

! Aby zabezpieczyć dziecko przed upadkiem, po umieszczeniu dziecka na siedzeniu, należy sprawdzić, czy uprząż na ramiona i na talię jest założona na właściwej wysokości i czy ma odpowiednią długość.

18 - 1 Kotwa A uprząży na ramiona

18 - 2 Kotwa B uprząży na ramiona

18 - 3 Regulator przesuwu

Dla większego dziecka należy użyć kotwy A uprząży i najwyższych szczelin uprząży na ramiona. Dla większego dziecka należy użyć kotwy B uprząży i najniższych szczelin uprząży na ramiona.

Aby wyregulować pozycję kotwy uprząży na ramiona, obróć kotwę w celu wypoziomowania ze stroną skierowaną do przodu. Przelóż ją przez szczelinę uprząży na ramiona od tyłu do przodu. 19 Przelóż ponownie przez szczelinę najbliższą wysokości ramion dziecka. 20

Użyj regulatora przesuwu do zmiany długości uprząży. 21 - 1

Naciśnij przycisk 21 - 2, jednocześnie pociągając uprząż talii do prawidłowej długości. 21 - 3

Regulacja oparcia tydek

patrz rysunki 22

Oparcie tydek ma 2 pozycje.

Aby unieść oparcie tydek, naciśnij je do góry. Dźwięk zatrzasku oznacza, że oparcie tydek jest całkowicie zablokowane.

Aby obniżyć oparcie tydek, naciśnij przyciski regulacji po obu stronach oparcia tydek 22 - 1 i obróć oparcie tydek w dół. 22 - 2

Używanie przedniej blokady obrotu

patrz rysunki 23

Naciśnij przednie blokady obrotu, aby utrzymać kierunek ruchu. 23

Wskazówka Zalecana do używania blokady obrotu na nierównych powierzchniach.

Używanie hamulca patrz rysunki 24 - 25

Aby zablokować koła, opuść w dół dźwignię hamulca. 24

Aby zwolnić koła, podnieś dźwignię hamulca do góry. 25

Wskazówka Gdy wózek dziecięcy ma stać nieruchomo, należy zawsze uruchomić hamulec parkingowy.

Używanie daszka patrz rysunki 26

Daszek można otwierać lub składać, pociągnij go do przodu lub do tyłu.

Daszek można otworzyć całkowicie, aby zabezpieczyć dziecko przed nadmiernym słońcem, wystarczy otworzyć zamek suwakiem 26, a następnie pociągnąć daszek do przodu.

Na daszku znajduje się okno, przez które można widzieć dziecko.

Uchwyt regulacji patrz rysunki 27

Używanie osłony uprząży na ramiona i osłony uprząży na krocze

Osłonę uprząży na ramiona lub osłonę uprząży na krocze można zdjąć z uprząży. Aby zamontować osłonę uprząży na ramiona i osłonę uprząży na krocze, należy wykonać podane instrukcje w odwrotnej kolejności.

Składanie wózka dziecięcego

patrz rysunki 29 - 31

! Przed złożeniem wózka na dziecko należy złożyć daszek.

1. Pociągnij uprząż składania do góry, rama automatycznie złoży się do tyłu. 29 - 1
2. Zatrask kosza automatycznie zaczepi się za element do montażu kosza, po czym wózek złoży się i zostanie całkowicie zablokowany. 30
3. Po złożeniu wózek dziecięcy może stać. 31

Używanie akcesoriów

Akcesoria mogą być sprzedawane oddzielnie lub, w zależności od regionu, mogą nie być dostępne.

Używanie z systemem przytrzymującym dla niemowląt

patrz rysunki 32 - 38

Podczas używania z systemem przytrzymującym dla niemowląt Joie Gemm, iGemm 2, i-Snug & iLevel należy sprawdzić następujące instrukcje.

- ! Przed użyciem systemu przytrzymującego dla niemowląt należy się upewnić, że oparcie pleców zostało wyregulowane do najniższej pozycji oraz że system przytrzymujący dla niemowląt został zamocowany.
- ! W razie problemów dotyczących używania systemów przytrzymujących dla niemowląt należy sprawdzić odpowiedni podręcznik obsługi.
- ! Nie należy składać wózka dziecięcego, gdy system przytrzymujący dla niemowląt jest nadal zamontowany.

Odlączanie i montaż miękkich elementów patrz rysunki 39 - 50

1. Usuń osłonę poprzeczki, jak pokazano na rysunku 39
2. Otwórz suwak zamka na tylnym panelu daszka. 40
 - ! Wyreguluj oparcie tylne do najniższej pozycji, aby można było wygodnie wyjąć miękkie elementy.
3. Zdejmij osłonę oparcia łydek. 41
4. Otwórz sprzączkę na dolnej części siedzenia. 42
 - ! Zachowaj ostrożność z wkładką wspierającą, należy zamontować wkładkę wspierającą, montując tekstylia wózka. 49 50

Aby ponownie zamontować miękkie elementy siedzenia, wykonaj podane instrukcje w odwrotnej kolejności 50 - 39

Korzystanie z gondoli Joie

patrz rys 51 - 52

Podczas korzystania z gondoli Joie Ramble, ramble xl, należy zapoznać się z treścią niniejszej instrukcji.

- ! Jeśli masz jakiegokolwiek problem dotyczący korzystania z gondoli, sprawdź treść niniejszej instrukcji.
- ! Podczas korzystania z gondoli zawsze używaj materaca.
- ! Nie składaj wózka, kiedy gondola jest zamontowana na nim.

Użycie osłony przeciwdeszczowej

patrz rys 53

Aby zamontować osłonę przeciwdeszczową, umieść ją na wózku, a następnie połącz 8 par rzepów znajdujących się na osłonie przeciwdeszczowej. 53

- ! Przed użyciem osłony przeciwdeszczowej, upewnij się, że oparcie zostało dostosowane do najniższej pozycji i - w przypadku użycia fotelika samochodowego z wózkiem - fotelik został zamocowany.
- ! Używając osłony przeciwdeszczowej, zawsze sprawdzaj jej wentylację.
- ! Gdy osłona przeciwdeszczowa nie jest używana, należy sprawdzić, czy została ona oczyszczona i wysuszona całkowicie przed jej złożeniem.
- ! Nie składaj wózka po zamontowaniu osłony przeciwdeszczowej.
- ! Podczas upałów nie umieszczaj dziecka w wózku z zamontowaną osłoną przeciwdeszczową.

Czyszczenie i konserwacja

patrz rysunki 54

- ! Do czyszczenia ramy wózka dziecięcego, należy używać wyłącznie zwykłego mydła i ciepłej wody. Nie należy stosować wybielaczy lub detergentów. Odwołaj się do wskazówek umieszczonych na metkach produktu w sprawie czyszczenia tkanin wózka.
- ! Usuwalne tekstylia mogą być prane w pralce. Nie wolno wybielać. Nie wyżynać do wyschnięcia z dużą siłą tekstyliów siedziska oraz wewnętrznych wkładek. Może to spowodować zmarszczenie i pofałdowanie tekstyliów siedziska oraz wewnętrznych wkładek.
- ! Od czasu do czasu należy sprawdzić wózek dziecięcy pod kątem poluzowanych śrub, zużytych części, przetartego materiału lub szwów. W razie potrzeby należy wymienić lub naprawić części. Okresowo należy otrzeć plastikowe części miękką wilgotną ściereczką. Zawsze osusz części metalowe produktu, aby zapobiec tworzeniu się rdzy, jeśli wózek miał kontakt z wodą.
- ! Nadmierna ekspozycja na słońce lub wysoką temperaturę może spowodować płowienie lub wykrzywianie części.
- ! Jeśli wózek dziecięcy zamoczy się, przed przechowywaniem należy otworzyć daszek i zacząć na wyschnięciu.
- ! Jeśli koła skrzypią, należy użyć lekkiego oleju (np., aerozol silikonowy, olej przeciwdeszczowy lub olej do maszyn do szycia). Ważne jest, aby nasmarować zespół osi i kół. 54
- ! Podczas używania wózka na plaży lub w innych miejscach zapiaszczonych/zakurzonych należy całkowicie oczyścić wózek dziecięcy po użyciu, usuwając z mechanizmów i zespołów kół piasek i sól.

Congratulazioni per essere entrato a far parte della famiglia Joie! Siamo lieti di far parte delle avventure del tuo bambino. Quando viaggi con Joie Mytrax™ flex, sei sicuro di utilizzare un passeggino di alta qualità, totalmente certificato, approvato in base alle norme di sicurezza europee EN 1888-2:2018. Questo prodotto è adatta a bambini fino a 22 kg o 4 anni, qualunque degli eventi si verifichi prima. Leggere attentamente questo manuale e attenersi a ogni procedura per garantire un viaggio comodo e la migliore protezione per il bambino.

IMPORTANTE: Leggere attentamente e conservare per futuro riferimento.

Visitate il nostro sito joiebaby.com per scaricare i manuali e conoscere altri eccezionali prodotti Joie!

Per informazioni sulla garanzia, visitare il nostro sito internet all'indirizzo joiebaby.com

Indice

Figure	1-11
AVVISO	71
Montaggio del passeggino	73
Apertura del passeggino	73
Montaggio e rimozione della ruota anteriore	73
Montaggio e rimozione della ruota posteriore	73
Montaggio e rimozione del bracciolo	73
Montaggio del tettuccio	73
Assemble & distaccare del portabicchiere	73
Funzionamento del passeggino	73
Regolazione dello schienale	73
Uso della fibbia	74
Uso delle cinture di sicurezza a bretelle e inguinali	74
Regolazione del supporto per le gambe	74
Uso del blocco perno anteriore	74
Uso dei freni	75
Uso del tettuccio	75
Regolazione dell'impugnatura	75
Uso dell'imbottitura per le cinture di sicurezza a bretelle e inguinali	75
Chiusura del passeggino	75
Uso degli accessori	75
Rimozione e montaggio delle imbottiture	76
Pulizia e manutenzione	76

Emergenza

In caso di emergenza o incidenti, è estremamente importante portare il bambino al pronto soccorso per cure mediche immediate.

Informazioni sul prodotto

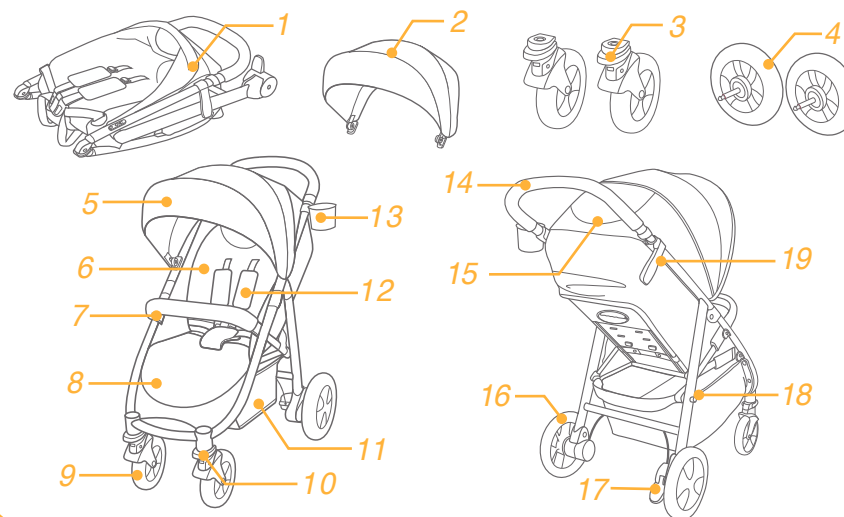
Leggere tutte le istruzioni del presente manuale prima di usare il prodotto. In caso di ulteriori domande, rivolgersi al rivenditore. Alcune funzioni potrebbero variare in base al modello.

Prodotto	Passeggino Mytrax flex
Adatto per	Questo prodotto è adatta a bambini fino a 22 kg o 4 anni, qualunque degli eventi si verifichi prima.
Materiali	Plastica, metallo, tessuto
N. brevetto	Brevetti in corso di concessione
Prodotto in	Cina
Marca	Joie
Sito web	www.joiebaby.com
Produttore	Allison GmbH

Elenco componenti

Assicurarsi che tutti i componenti siano disponibili prima dell'assemblaggio. Se manca qualche componente, contattare il rivenditore locale. Per l'assemblaggio non è necessario nessun attrezzo.

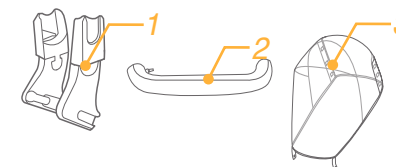
- | | | | |
|---------------------|-------------------------|------------------------------------|----------------------|
| 1 Telaio passeggino | 7 Bracciolo | 12 Cinture di sicurezza a bretelle | 16 Ruota posteriore |
| 2 Tettuccio | 8 Supporto per le gambe | 13 Portabicchiere | 17 Leva del freno |
| 3 Ruota anteriore | 9 Ruota anteriore | 14 Impugnatura | 18 Supporto chiusura |
| 4 Ruota posteriore | 10 Blocco perno | 15 Finestrella del tettuccio | 19 Fermo di chiusura |
| 5 Tettuccio | 11 Cesto portaoggetti | | |
| 6 Imbottitura | | | |



Accessori

(potrebbero non essere inclusi)

- 1 Adattatore (su alcuni modelli)
- 2 Copertura bracciolo (su alcuni modelli)
- 3 Parapioggia (su alcuni modelli)



Gli accessori potrebbero essere venduti separatamente o non essere disponibili in base all'area di acquisto.

AVVISO

- ! AVVISO Prima dell'uso assicurarsi che tutti i meccanismi di bloccaggio siano correttamente agganciati.
- ! AVVISO Per evitare lesioni o ferimenti assicurarsi che il bambino sia a debita distanza durante le operazioni di apertura e chiusura del prodotto.
- ! AVVISO Non lasciare che il bambino giochi con questo prodotto.
- ! AVVISO Utilizzare sempre il sistema di ritenuta.
- ! AVVISO Prima dell'uso controllare che i meccanismi di aggancio della seduta, della navicella o del seggiolino auto siano correttamente agganciati.
- ! Il prodotto deve essere montato solo da adulti.
- ! Usare il passeggino con bambini di peso inferiore a 22 kg. Se il bambino è troppo grande, si potrebbero causare danni al passeggino.
- ! Per evitare condizioni di instabilità e pericolo, non collocare oggetti per un peso superiore a 4,5 kg nell'apposito cesto.
- ! Il peso massimo consigliato per il portabicchiere è di 0,5 kg (1 lb).
- ! Non lasciare mai il bambino incustodito. Sorvegliare sempre il bambino mentre si trova nel passeggino.
- ! Usare il passeggino con un solo bambino per volta. Non collocare borse, sacchetti, pacchi o elementi accessori sull'impugnatura o sul tettuccio.
- ! Non devono essere utilizzati accessori non approvati dal produttore. Devono essere utilizzate solo le parti di ricambio fornite o consigliate dal produttore.
- ! Se il passeggino viene sovraccaricato, piegato in modo non corretto o usato insieme a componenti di altri produttori, si potrebbe danneggiare, rompere o diventare pericoloso. Leggere attentamente il manuale di istruzioni.
- ! Leggere tutte le istruzioni del manuale prima di usare il prodotto. Conservare questo manuale per riferimenti futuri. La mancata osservanza dei seguenti avvisi e istruzioni potrebbe causare lesioni gravi o il decesso.
- ! Per evitare gravi lesioni a seguito di caduta o scivolamento, usare sempre le cinture di sicurezza.
- ! Assicurarsi che il corpo del bambino sia lontano dalle parti in movimento quando si regola il passeggino.
- ! Assicurarsi che il passeggino sia completamente aperto o piegato prima che il bambino si avvicini.
- ! Il bambino potrebbe scivolare attraverso le aperture delle gambe ed essere strangolato se non si utilizzano le cinture di sicurezza.
- ! Non utilizzare mai il passeggino su scale o scale mobili.
- ! Tenere lontano da oggetti caldi, liquidi e dispositivi elettronici.
- ! Non permettere mai al bambino di mettersi in piedi sul passeggino, op-

pure di sedersi con la testa rivolta verso il passeggino.

- ! Non posizionare il passeggino su strade, pendii o aree pericolose.
- ! Per evitare lo strangolamento NON collocare oggetti dotati di lacci attorno al collo del bambino, appendere lacci a questo prodotto o fissare lacci ai giocattoli.
- ! Qualsiasi carico sull'impugnatura, sul retro dello schienale o sui lati del passeggino influisce sulla stabilità del passeggino stesso.
- ! NON sollevare il passeggino quando il bambino è al suo interno.
- ! NON utilizzare il cesto portaoggetti per il trasporto del bambino.
- ! Per evitare che si rovesci, evitare che il bambino si arrampichi sul passeggino. Sollevare sempre il bambino dentro e fuori dal passeggino.
- ! Per evitare di intrappolarsi le dita, prestare attenzione quando si piega e chiude il passeggino.
- ! Per evitare lesioni, assicurarsi che il bambino venga allontanato quando si piega o si apre il passeggino.
- ! Per garantire la sicurezza del bambino, assicurarsi che tutte le parti siano assemblate e fissate correttamente prima di usare il passeggino.
- ! Per evitare lo strangolamento, assicurarsi che il bambino sia lontano dal tettuccio e dalla copertura antipioggia.
- ! Innestare sempre i freni quando si parcheggia il passeggino.
- ! Cessare di utilizzare il passeggino, se è danneggiato o rotto.
- ! Il passeggino deve essere utilizzato esclusivamente per passeggiare. Questo prodotto non deve essere utilizzato quando si pratica jogging.
- ! Per evitare ustioni, non versare liquidi caldi nel portabicchiere.
- ! Per evitare il soffocamento, rimuovere il sacchetto di plastica ed i materiali di imballaggio prima di usare questo prodotto. Il sacchetto di plastica ed i materiali di imballaggio devono quindi essere tenuti lontani dalla portata dei bambini.
- ! Questo prodotto non è adatto per correre o pattinare.
- ! Per i passeggini concepiti per i neonati, si consiglia di utilizzare la posizione più inclinata.
- ! Il dispositivo di parcheggio deve essere innestato quando si accomoda o si preleva il bambino.
- ! Per i sistemi di ritenuta per bambini utilizzati in combinazione con un telaio, questo veicolo non sostituisce una culla o un letto. Se il bambino ha necessità di dormire deve essere messo in una culla o lettino appropriato.
- ! La culla portatile è adatta per un bambino che non è ancora in grado di stare seduto da solo, si rovescia e non può rialzarsi con le mani e mettersi in ginocchio. Peso massimo del bambino: 9 kg.
- ! NON utilizzare o aggiungere materassini diversi da quello fornito con la culla portatile.
- ! Questo prodotto è adatta a bambini fino a 22 kg o 4 anni, qualunque degli eventi si verifichi prima.

Montaggio del passeggino

Leggere tutte le istruzioni del presente manuale prima di montare ed usare il prodotto.

Apertura del passeggino

Fare riferimento alle immagini 1 - 2

Separare il fermo di chiusura dal supporto chiusura 1, quindi sollevare l'impugnatura verso l'alto 2. Quando si sente un clic significa che il passeggino è completamente aperto.

! Verificare che il passeggino sia completamente bloccato prima di continuare ad utilizzarlo.

Montaggio e rimozione della ruota anteriore

Fare riferimento alle immagini 3 - 4

Montaggio e rimozione della ruota posteriore

Fare riferimento alle immagini 5 - 6

Montaggio e rimozione del bracciolo

Fare riferimento alle immagini 7 - 8

Montaggio del tettuccio

Fare riferimento alle immagini 9 - 10

Assemble & distaccare del portabicchiere

Fare riferimento alle immagini 11 - 12

Il passeggino completamente assemblato è illustrato nell'immagine 13.

Funzionamento del passeggino

Regolazione dello schienale

Fare riferimento alle immagini 14 - 15

Lo schienale ha 4 angoli (posizioni) di inclinazione.

Reclinare lo schienale

Per reclinare lo schienale, premere l'impugnatura di inclinazione sul retro del sedile e tirare verso il basso lo schienale. 14

Sollevare lo schienale

Per sollevare lo schienale, spingere verso l'alto. 15

! Assicurarsi che l'inclinazione sia regolata correttamente per l'uso.

Uso della fibbia

Fare riferimento alle immagini 16 - 17

Sblocco della fibbia

Premere il pulsante centrale per liberare la fibbia. 16

Blocco della fibbia

Far combaciare la fibbia della cintura a vita con quella della cintura di sicurezza con bretelle 17 - 1, quindi innestare nella fibbia centrale. 17 - 2 Quando si sente il "clic" significa che la fibbia è bloccata. 17 - 3

! Per evitare gravi lesioni a seguito di caduta o scivolamento, proteggere sempre il bambino utilizzando le cinture di sicurezza.

! Assicurarsi che le cinture proteggano il bambino in sicurezza. Lo spazio tra il bambino e la cintura di sicurezza con bretelle deve essere pari a circa lo spessore di una mano.

! Non incrociare le cinture di sicurezza con bretelle. Diversamente si provocherà pressione sul collo del bambino.

Uso delle cinture di sicurezza a bretelle e inguinali

Fare riferimento alle immagini 18 - 21

! Per proteggere il bambino dalla caduta, dopo averlo accomodato sul sedile, verificare che le cinture di sicurezza a bretelle e inguinali abbiano una altezza e lunghezza appropriate.

18 - 1 Punto di attacco della cintura di sicurezza con bretelle A

18 - 2 Punto di attacco della cintura di sicurezza con bretelle B

18 - 3 Dispositivo scorrevole di regolazione

Per i bambini più grandi, utilizzare il punto di attacco della cintura di sicurezza con bretelle A e le fessure superiori. Per i bambini più piccoli, utilizzare il punto di attacco della cintura di sicurezza con bretelle B e le fessure inferiori.

Per regolare la posizione del punto di attacco della cintura di sicurezza con bretelle, girare il punto di attacco in modo che sia in piano con il lato rivolto in avanti. Infilarlo nella fessura della cintura di sicurezza con bretelle dalla parte posteriore verso quella anteriore. 19 Infilarlo di nuovo nella fessura più vicina in modo che sia all'altezza delle spalle del bambino. 20

Utilizzare il dispositivo scorrevole di regolazione per modificare la lunghezza delle cinture di sicurezza. 21 - 1

Premere il pulsante 21 - 2 mentre si tira la cintura inguinale alla lunghezza adeguata. 21 - 3

Regolazione del supporto per le gambe

Fare riferimento alle immagini 22

Il supporto per le gambe ha 2 posizioni.

Per sollevarlo, spingerlo verso l'alto. Quando si sente il "clic" significa che il supporto per le gambe è completamente bloccato.

Per abbassarlo, premere i pulsanti di regolazione su entrambi i lati del supporto per le gambe 22 - 1 e abbassarlo. 22 - 2

Uso del blocco perno anteriore

Fare riferimento alle immagini 23

Sollevare i blocchi dei perni anteriori per mantenere la direzione di movimento. 23

Suggerimento si consiglia di utilizzare i i blocchi dei perni sulle superfici irregolari.

Uso dei freni

Fare riferimento alle immagini 24 - 25

Per bloccare le ruote, abbassare la leva del freno. 24

Per sbloccare le ruote, basta sollevare la leva del freno. 25

Suggerimento Innestare sempre il freno di stazionamento quando il passeggino non è in movimento.

Uso del tettuccio

Fare riferimento alle immagini 26

Il tettuccio può essere aperto o piegato, tirato in avanti o all'indietro.

Il tettuccio può essere aperto completamente per proteggere il bambino dal sole. Basta aprire la cerniera 26 e tirare il tettuccio in avanti.

Sul tettuccio è presente una finestrella, attraverso la quale si può osservare il bambino.

Regolazione dell'impugnatura

Fare riferimento alle immagini 27

Uso dell'imbottitura per le cinture di sicurezza a bretelle e inguinali

Le imbottiture della cintura di sicurezza con bretelle o inguinale possono essere rimosse dalle cinghie. Per rimettere le imbottiture della cintura di sicurezza con bretelle e inguinale, basta invertire la procedura.

Chiusura del passeggino

Fare riferimento alle immagini 28 - 31

! Prima di piegare il passeggino, piegare il tettuccio.

1. Tirando la cinghia pieghevole verso l'alto, il telaio si piega automaticamente in avanti. 29 - 1
2. Il fermo di chiusura si aggancia automaticamente al supporto chiusura, quindi il passeggino viene piegato e bloccato completamente. 30
3. Il passeggino rimane eretto quando viene piegato. 31

Uso degli accessori

Gli accessori potrebbero essere venduti separatamente o non essere disponibili in base all'area di acquisto.

Uso con sistema di ritenuta per bambini

Fare riferimento alle immagini 32 - 33

Quando si utilizza il sistema di ritenuta per bambini Gemm, IGemm 2, i-Snug & iLevel Joie, attenersi alle seguenti istruzioni.

- ! Prima di utilizzare il sistema di ritenuta per bambini, assicurarsi che lo schienale sia stato regolato alla posizione inferiore e che il sistema di ritenuta per bambini sia stato allacciato.
- ! In caso di problemi con l'uso del sistema di ritenuta per bambini, fare riferimento ai relativi manuali di istruzioni.
- ! Non piegare il passeggino se il sistema di ritenuta per bambini è ancora fissato.

Rimozione e installazione delle imbottiture

Fare riferimento alle immagini 39 - 50

1. Rimuovere l'imbottitura del bracciolo indicata con il numero 39
2. Aprire la cerniera sulla parte posteriore del tettuccio. 40
 - ! Regolare lo schienale sulla posizione inferiore in modo da poter comodamente rimuovere l'imbottitura.
3. Rimuovere l'imbottitura del supporto per gambe. 41
4. Aprire la fibbia sulla parte inferiore del sedile. 42
 - ! Tenere con cura l'asse di sostegno. Montare l'asse di sostegno durante il montaggio del rivestimento imbottito. 49 50

Per rimontare l'imbottitura del sedile, invertire le procedure di cui sopra 50 - 39

Uso con culla portatile Joie

vedere le immagini 51 - 52

Quando si utilizza la culla portatile Joie, fare sempre riferimento alle seguenti istruzioni.

- ! In caso di problemi con l'uso della culla portatile, fare riferimento ai relativi manuali di istruzioni.
- ! Quando si usa la culla portatile, usare sempre anche il materassino.
- ! Non piegare il passeggino quando si fissa la culla portatile.

Utilizzo della parapigioggia

vedere le immagini 53

Per montare la parapigioggia, posizionatela sopra il carello, e quindi fissate 8 paia di ganci e anelli di montaggio e 2 paia di occhielli sulla parapigioggia. 53

- ! Prima di utilizzare la parapigioggia, assicuratevi che la culla portatile è stata nella più bassa posizione.
- ! Quando si utilizza la parapigioggia controllate sempre la ventilazione.
- ! Quando la parapigioggia non si utilizza, controllate se è stata pulita e asciugata prima della piegatura.
- ! Se la parapigioggia è sopra il carello, rimuovete sempre il coperchio per evitare tagli e strappi.
- ! Non piegate il passeggino dopo il assemblaggio della parapigioggia.
- ! Non posizionate il bambino nel passeggino con la parapigioggia installata in estate.

Pulizia e manutenzione

Fare riferimento alle immagini 54

- ! Per pulire il telaio del passeggino, utilizzare solo una soluzione di sapone e acqua calda. Non usare candeggina o detergente. Fare riferimento all'etichetta con le istruzioni di lavaggio per pulire il tessuto del passeggino.
- ! Il rivestimento imbottito rimovibile può essere lavato in lavatrice. Non usare candeggina. Non attorcigliare la fodera e l'imbottitura interna per asciugare con grande forza. Si potrebbero lasciare grinze sulla fodera e l'imbottitura interna.
- ! Controllare periodicamente la presenza di viti allentate, componenti usurati, materiali strappati o scuciti del passeggino. Se necessario, sostituire o riparare i componenti. Pulire periodicamente le parti in plastica con un panno umido. Asciugare sempre le parti di metallo per evitare la formazione di ruggine se il passeggino entra in contatto con l'acqua.
- ! Un'eccessiva esposizione alla luce del sole potrebbe causare lo scolorimento o la deformazione dei componenti.
- ! Se il passeggino si bagna, aprire il tettuccio e lasciarlo asciugare completamente prima di riporlo.
- ! Se le ruote cigolano, utilizzare un olio leggero (ad esempio: spray al silicone, olio antiruggine od olio per macchine da cucire). È importante oliare il gruppo asse e ruota. 64
- ! Quando si utilizza il passeggino in spiaggia o altri ambienti sabbiosi/polverosi, pulirlo completamente dopo l'uso per rimuovere la sabbia ed il sale dai meccanismi e dal gruppo della ruota.

Gefeliciteerd dat u nu lid bent van de Joie-familie! Het doet ons veel genoegen om deel te kunnen uitmaken van uw reis met uw kleintje. Bij het reizen met de Joie Mytrax™ flex gebruikt u een volledig gecertificeerde kwaliteits-wandelwagen, goedgekeurd volgens de Europese veiligheidsnorm EN 1888-2:2018. Dit product is geschikt voor kinderen tot 22kg of 4 jaar, als dat zich eerder voordoet. Lees deze handleiding zorgvuldig en volg elke stap om voor een comfortabele rit en de beste bescherming van uw kind te zorgen.

Belangrijk – Lees zorgvuldig en bewaar voor latere raadpleging.

Bezoek ons op joiebaby.com om handleidingen te downloaden en nog meer interessante producten van Joie te zien.

Bezoek voor de garantiebepalingen svp onze website joiebaby.com

Inhoud

Afbeeldingen	1-11
WAARSCHUWING	79
Montage wandelwagen	81
Open wandelwagen	81
Voorwiel monteren en demonteren	81
Achterwiel monteren en demonteren	81
Armsteun monteren en demonteren	81
Kap monteren	81
Bekerhouder montage & demontage	81
Gebruik wandelwagen	81
Rugsteun instellen	81
Riem gebruiken	82
Schouder- en middelriemen gebruiken	82
Kuitsteun aanpassen	82
Blokking voorwielen	82
Remmen	83
Kap gebruiken	83
Handgreep instellen	83
Gebruik afdekking schouderriemen en afdekking kruisriemen	83
Wandelwagen opvouwen	83
Accessoires gebruiken	83
Zachte materialen los- en vastmaken	84
Reiniging en onderhoud	84

Noodgeval

Bij een noodsituatie of een ongeluk is het heel belangrijk om uw kind direct te laten verzorgen met eerste hulp en medische behandeling.

Productinformatie

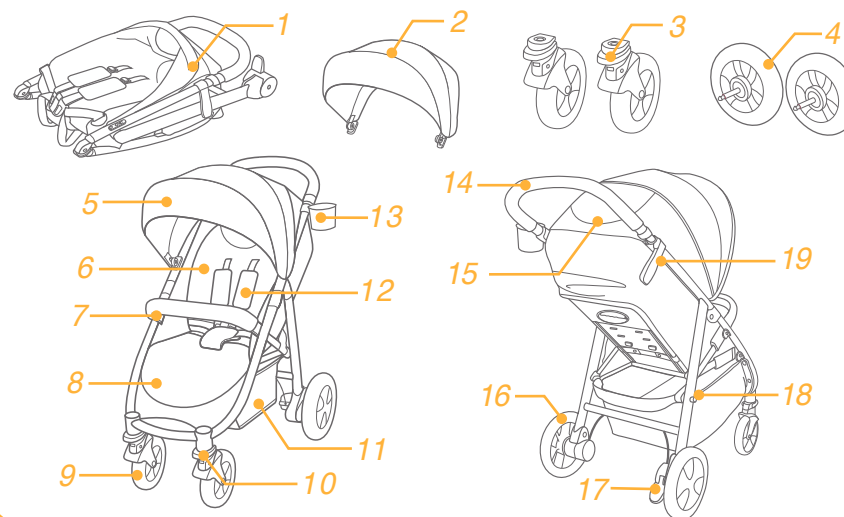
Lees alle aanwijzingen in deze handleiding voordat u het product gebruikt. Als u vragen hebt, kunt u contact opnemen met de verkoper. Sommige functies kunnen verschillen, afhankelijk van het model.

Product	Mytrax flex wandelwagen
Geschikt voor	Dit product is geschikt voor kinderen tot 22kg of 4 jaar, als dat zich eerder voordoet.
Materialen	Kunststoffen, metaal, geweven stoffen
Patentnr.	Patenten aangevraagd
Gemaakt in	China
Merksnaam	Joie
Website	www.joiebaby.com
Fabrikant	Allison GmbH

Onderdelenlijst

Zorg dat alle onderdelen voor het opslaan droog zijn. Als er items ontbreken of beschadigd zijn, kunt u contact opnemen met uw leverancier. Voor de montage is geen gereedschap nodig.

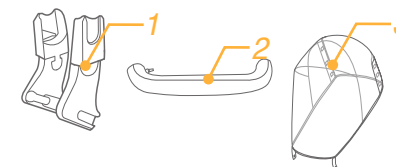
1 Frame wandelwagen	6 Zitkussen	12 Schoudergordel	17 Remhendel
2 Kap	7 Armsteun	13 Bekerhouder	18 Opbergbeugel
3 Voorwiel	8 Kuitsteun	14 Hendel	19 Opberggrendel
4 Achterwiel	9 Voorwiel	15 Raampje van de kap	
5 Kap	10 Draaislot	16 Achterwiel	
	11 Opbergmand		



Accessoires

(Mogelijk niet meegeleverd)

- 1 Adapter (op bepaalde modellen)
- 2 Armsteundek (bij bepaalde modellen)
- 3 Regenhoes (bij bepaalde modellen)



Accessoires kunnen al dan niet apart leverbaar zijn, afhankelijk van de regio.

WAARSCHUWING

- ! WAARSCHUWING Zorg ervoor dat alle vergrendelingsmechanismes vast zitten voor dat je het product gebruikt.
- ! WAARSCHUWING Zorg ervoor dat het kind uit de buurt is tijdens het in- en uitklappen van het product om letsel te voorkomen.
- ! WAARSCHUWING Laat het kind niet met dit product spelen.
- ! WAARSCHUWING Altijd het veiligheidstuigje gebruiken.
- ! WAARSCHUWING Controleer voor gebruik of het wiegje, het kinderwagenzitje, of het autostoeltje goed vast zit op het kinderwagenchassis.
- ! Montage door volwassene vereist.
- ! Gebruik de wandelwagen voor een kind dat minder dan 22 kg weegt. Als het kind niet past, kan dit de wandelwagen beschadigen.
- ! Om een gevaarlijke en instabiele conditie te vermijden, moet u niet meer dan 4,5 kg in de opbergmand plaatsen.
- ! Het aanbevolen maximale gewicht in de bekerhouder is 0,5 kg.
- ! Nooit het kind zonder toezicht laten. Let altijd op uw kind als het in de wandelwagen zit.
- ! Gebruik de wandelwagen met slechts één kind tegelijk. Leg nooit handtassen, boodschappentassen, pakjes of onderdelen van toebehoren op de greep of de kap.
- ! Gebruik geen toebehoren die niet door de fabrikant zijn goedgekeurd. Gebruik uitsluitend vervangende onderdelen die zijn geleverd of aanbevolen door de fabrikant.
- ! Overbelasting, onjuist opvouwen of het gebruik van onderdelen van andere fabrikanten kan schade of een onveilige situatie voor de wandelwagen opleveren. Lees altijd eerst zorgvuldig de handleiding.
- ! Lees alle aanwijzingen in deze handleiding voordat u het product gebruikt. Bewaar de handleiding voor later gebruik. Niet-naleving van de waarschuwingen en de instructies kan ernstig letsel of de dood veroorzaken.
- ! Om ernstig letsel te vermijden door vallen of uit de wagen glijden, moet u altijd de riemen gebruiken.
- ! Zorg ervoor dat het lichaam van uw kind geen bewegende onderdelen raakt bij het aanpassen van de wandelwagen.
- ! Zorg ervoor dat de wandelwagen geheel is in- of uitgevouwen voordat u een kind on de buurt daarvan laat.
- ! Het kind kan in de beenopeningen glijden en gewurgd worden als het harnas niet wordt gebruikt.
- ! Gebruik de wandelwagen nooit op trappen of roltrappen.
- ! Uit de buurt houden van voorwerpen, vloeistoffen en elektronica met een hoge temperatuur.
- ! Laat uw kind nooit in de wandelwagen staan of met het hoofd naar de voorkant van de wandelwagen zitten.

- ! Plaats de wandelwagen nooit op wegen, hellingen of gevaarlijke gebieden.
- ! Om verstikking te voorkomen, moet u GEEN voorwerpen met een koord rond de hals van uw kind hangen, de koorden van dit product laten hangen of koorden aan speelgoed bevestigen.
- ! Elke last bevestigd aan de greep of op de achterkant van de rugsteun of de zijkanen van de wandelwagen beïnvloedt de stabiliteit van de wandelwagen.
- ! Til de wandelwagen NIET op als daar een kind in zit.
- ! Gebruik de opbergmand NIET om een kind in te plaatsen.
- ! Om omvallen te voorkomen, moet u het kind nooit in de wandelwagen laten klimmen. Til het kind altijd in en uit de wandelwagen.
- ! Om afgeklemd vingers te voorkomen, moet u opletten bij het in- en uitvouwen van de wandelwagen.
- ! Om letsel te voorkomen, moet u uw kind uit de buurt houden tijdens het open- of samenvouwen van dit product.
- ! Om voor de veiligheid van uw kind te zorgen, moet u ervoor zorgen dat alle onderdelen goed zijn gemonteerd en vastgezet voordat u de wandelwagen gebruikt.
- ! Om verstikking te voorkomen, moet u ervoor zorgen dat uw kind niet door de kap wordt bedekt.
- ! Gebruik altijd de remmen bij het parkeren van de wandelwagen.
- ! Gebruik de wandelwagen niet meer als deze is beschadigd of kapot is.
- ! De wandelwagen mag alleen met een loopsnelheid gebruikt worden. Dit product is niet bedoeld voor gebruik tijdens het joggen.
- ! Om brandwonden te voorkomen, moet u nooit hete vloeistoffen in de bekerhouder plaatsen.
- ! Om verstikking te voorkomen, moet u de plastic zak en verpakkingsmaterialen verwijderen voordat u de stoel gebruikt. Houd de plastic zak en verpakkingsmaterialen buiten bereik van baby's en kinderen.
- ! Dit product is niet geschikt om mee hard te lopen of te skeeleren.
- ! Wandelwagen ontworpen voor gebruik vanaf de geboorte, gebruik de meest vlakke stand voor pasgeboren baby's.
- ! Bij het plaatsen en verwijderen van het kind moet de parkeerrem geactiveerd zijn.
- ! Voor kinderstoeltjes die gebruikt worden in combinatie met een chassis, vervangt dit voertuig geen draagwieg of bed. Als uw kind moet slapen, moet u het in een geschikte kinderwagen, wieg of bed leggen.
- ! Reiswieg is alleen geschikt voor een baby die nog niet rechtop kan zitten, om kan rollen, of zichzelf op handen en voeten kan duwen. Maximum gewicht van de baby: 9kg.
- ! Gebruik GEEN andere matras dan degene die met de reiswieg wordt meegeleverd.
- ! Dit product is geschikt voor kinderen tot 22kg of 4 jaar, als dat zich eerder voordoet.

Montage wandelwagen

Lees alle aanwijzingen in deze handleiding voordat u het product monteert en gebruikt.

Open wandelwagen zie afbeeldingen 1 - 2

Maak de opbergrendel los van de opbergbeugel en til de hendel omhoog ①. Als u een klik hoort, ② betekent dit dat de wandelwagen volledig geopend is.

! Controleer of de wagen goed vergrendeld is voordat u het gebruikt.

Voorwiel monteren en demonteren zie afbeeldingen 3 - 4

Achterwiel monteren en demonteren zie afbeeldingen 5 - 6

Armsteun monteren en demonteren zie afbeeldingen 7 - 8

Kap monteren zie afbeeldingen 9 - 10

Bekerhouder montage & demontage zie afbeeldingen 11 - 12

De volledig gemonteerde wandelwagen wordt afgebeeld in ⑬.

Gebruik wandelwagen

Rugsteun instellen zie afbeeldingen 14 - 15

De rugsteun heeft 4 hoeken.

Rugsteun naar achteren brengen

Knijp om de rugleuning naar achteren te brengen de greep op de achterkant van de zitting in en trek de rugleuning omlaag. ⑭

De rugsteun omhoog brengen

Druk de rugsteun omhoog om het rechtop te zetten. ⑮

! Controleer of de helling goed is ingesteld.

Riem gebruiken zie afbeeldingen 16 - 17

Maak de gesp los

Druk op de knop in het midden om de riem los te maken. ⑯

Riem vastmaken

Verbind de gesp van de middelriem met de schouderriem ⑰ - 1 en klik deze in de middengesp. ⑰ - 2. Een klikkend geluid betekent dat de riem vergrendeld is. ⑰ - 3

! Om ernstig letsel te voorkomen door uit de stoel vallen of glijden, moet u uw kind altijd met de riemen vastzetten.

! Zorg ervoor dat uw kind goed vast zit. De ruimte tussen het kind en de schouderriemen moet ongeveer de dikte van een hand zijn.

! De schouderriemen NIET kruisen. Dat veroorzaakt druk op de nek van het kind.

Schouder- en middelriemen gebruiken zie afbeeldingen 18 - 21

! Om te voorkomen dat uw kind uit de stoel valt, moet u controleren of de schouder- en middelriemen op de juiste hoogte en lengte zitten.

⑱ - 1 Schouderriemanker A

⑱ - 2 Schouderriemanker B

⑱ - 3 Schuifinstelling

Gebruik voor een groter kind schouderriemanker A en de hoogste schouderleuven. Gebruik voor een kleiner kind schouderriemanker B en de laagste schouderleuven.

Om de positie van het schouderriemanker aan te passen, draait u het anker zodat het gelijk ligt met de kant die naar voren kijkt. Geleid het van achter naar voren door de sleuf voor de schouderriem. ⑲ Steek deze vervolgens opnieuw door de sleuf die het dichtst bij de schouderhoogte van het kind zit. ⑳

Gebruik de schuifregelaar om de lengte van de riemen in te stellen. ㉑ - 1

Druk op knop ㉑ - 2 terwijl u de middelriem op de juiste lengte trekt. ㉑ - 3

Kuitsteun aanpassen zie afbeeldingen 22

De kuitsteun heeft 2 standen.

Druk de kuitsteun omhoog om het hoger te plaatsen. Een klikkend geluid betekent dat de riem vergrendeld is.

Druk op de instelknoppen aan weerszijden van de kuitsteun ㉒ - 1 om de steun omlaag te brengen en draai de steun omlaag. ㉒ - 2

Blokkering voorwielen zie afbeeldingen 23

Druk de blokkering van de voorwielen omhoog om de bewegingsrichting te behouden. ㉓

Tip aanbevolen wordt om de draaiblokkering op ongelijke oppervlakken te gebruiken.

Remmen zie afbeeldingen 24 - 25

Trap de remhendel omlaag om de wielen te blokkeren. 24

Licht de remhendel op om de wielen vrij te geven. 25

Tip zet de rem altijd vast als de wandelwagen moet stilstaan.

Kap gebruiken zie afbeeldingen 26

U kunt de kap openen of opvouwen, trek het naar voren of naar achteren.

De kap kan volledig worden geopend om uw kind zoveel mogelijk tegen de zon te beschermen; rits de rits 26 los en trek de kap naar voren.

De kap bevat een raampje waardoor u uw baby kunt zien.

Handgreep instellen zie afbeeldingen 27

Gebruik afdekking schouderriemen en afdekking kruisriemen

De afdekking van de schouderriemen of van de kruisriemen kan worden losgemaakt van de spanriemen. Ga in omgekeerde volgorde te werk om de afdekking van de schouderriem en de middelriem te monteren.

wandelwagen opvouwen

zie afbeeldingen 28 - 31

! Vouw de kap op voordat u de kinderwagen opvouwt.

1. Trek het opvouwbare gaas omhoog waarna het frame automatisch naar achteren klapt. 29 - 1
2. De opberggrendel haakt automatisch vast aan de opbergbeugel en daarna is de wandelwagen volledig opgevouwen en vergrendeld. 30
3. Tijdens het invouwen kan de wandelwagen staan. 31

Accessoires gebruiken

Accessoires kunnen al dan niet apart leverbaar zijn, afhankelijk van de regio.

Gebruiken met babyzitje

zie afbeeldingen 32 - 38

Raadpleeg de volgende instructies bij het gebruik van het Joie-babyzitje Gemm, iGemm 2, i-Snug & iLevel.

- ! Voordat u het babyzitje gebruikt, moet u ervoor zorgen dat de rugsteun is ingesteld op de laagste stand en dat het babyzitje is bevestigd.
- ! Als u problemen ondervindt bij het gebruik van het babyzitje, raadpleeg dan de betreffende handleidingen.
- ! Vouw de wandelwagen niet op als het babyzitje nog bevestigd is.

Zachte materialen los- en vastmaken zie afbeeldingen 39 - 50

1. Verwijder de afdekking van de armsteun als afgebeeld in 39

2. Open de rits op de achterkant van de kap. 40

! Zet de rugsteun in de laagste stand om de zachte materialen gemakkelijk te verwijderen.

3. Verwijder de afdekking van de kuitsteun. 41

4. Open de gesp op de onderkant van het zitje. 42

! Wees voorzichtig met de steunplaat, deze moet weer gebruikt worden bij het bevestigen van de bekleding. 49 50

Om de zachte materialen weer te bevestigen, gaat u in omgekeerde volgorde te werk. 50 - 39

Gebruik met Joie reiswieg

zie afbeeldingen 51 - 52

Bij gebruik met de Joie Ramble, ramble xl reiswieg, volg svp de volgende aanwijzingen.

! Bij problemen met het gebruik van de reiswieg, lees dan de gebruiksaanwijzing van de reiswieg.

! Gebruik de reiswieg altijd samen met de matras.

! Klap de wandelwagen niet in als u de reiswieg erop bevestigt.

Gebruik van de regenhoes

zie afbeeldingen 53

Voor het monteren van de regenhoes, plaats het over de kinderwagen en bevestig dan de 8 paar haken en montage ringen en 2 paar oogjes op regenhoes. 53

! Voordat u de regenhoes gebruikt, zorg ervoor dat de rugleuning werd aangepast in de laagste stand en het kinderzitje is vastgesteld

! Voordat u de regenhoes gebruikt, controleer of de reiswieg wordt bevestigd.

! Bij gebruik van de regenhoes, controleer dan altijd de ventilatie.

! Wanneer niet in gebruik, moet u controleren of de regenhoes is schoongemaakt en gedroogd voordat u het inklapt.

! Inklap nooit de kinderwagen na het monteren van de regenhoes.

! Plaats uw kind nooit in de kinderwagen met de monterde regenhoes bij warm weer.

Reiniging en onderhoud

zie afbeeldingen 64

! Gebruik voor het schoonmaken van het frame alleen zeep en warm water. Geen bleekmiddel of schoonmaakmiddelen. Raadpleeg het verzorgingslabel voor instructies betreffende reiniging van de stoffen onderdelen van de wandelwagen.

! Afneembare bekleding kan worden gewassen in de machine. Gebruik geen bleekmiddel. De bekleding niet uitwringen om te drogen. Dit kan kreuken in de bekleding veroorzaken.

! Controleer de wandelwagen van tijd tot tijd op losse schroeven, slijtage, scheuren en beschadigde naden. Vervang of herstel de onderdelen als dat nodig is. Veeg de plastic onderdelen periodiek schoon met een zachte vochtige doek. Droog de metalen onderdelen om de vorming van roest te voorkomen als de wandelwagen in contact is geweest met water.

! Overmatige blootstelling aan zon of warmte kan vervagen of vervormen van onderdelen veroorzaken.

! Als de wandelwagen nat is geworden, moet u de kap openen en het laten drogen voordat u het opbergt.

! Als de wieltjes piepen, moet u dunne olie gebruiken (bijvoorbeeld siliconenspray, antiroest-olie of naaimachine-olie). De olie moet in de as en het wielstel komen. 64

! Als u de wandelwagen op het strand gebruikt, moet u het goed schoonmaken na het gebruik om alle zand en zout van het mechanisme en de wielen te verwijderen.

TR Joie™ 'ye Hoş Geldiniz

Joie ailesine katıldığınız için tebrikler! Çocuğunuzla olan yolculuğunuzda size katılmaktan büyük bir heyecan duyuyoruz. Joie Mytrax™ flex ile seyahat ederken, EN 1888-2:2018 Avrupa güvenlik standartlarıyla onaylanmış, yüksek kaliteli, tamamen sertifikalı bir bebek arabası kullanırsınız. Bu ürün, doğumdan 22kg'a veya 4 yaşına kadar olan çocuklar için uygundur (hangisi önce gelirse). Rahat bir sürüş ve çocuğunuz için en iyi korumayı sağlamak üzere lütfen bu kılavuzu dikkatlice okuyun ve her bir adımı izleyin.

Önemli ! Dikkatli bir şekilde okuyun ve ileride başvurmak için saklayın.

Kılavuzları indirmek ve daha heyecan verici Joie ürünlerine bakmak için bizi joiebaby.com adresinden ziyaret edin!

Garanti bilgisi için lütfen joiebaby.com adresindeki web sitemizi ziyaret edin

İçindekiler

Şekiller	1-11
UYARI	87
Bebek Arabası Montajı	89
Bebek Arabasını Açma	89
Ön Teker Monte Etme ve Çıkarma	89
Arka Teker Monte Etme ve Çıkarma	89
Kolçağı Monte Etme ve Çıkarma	89
Tenteyi Monte Etme	89
Bardak Tutucuyu Montaj & Sökme	89
Bebek Arabası Kullanımı	89
Arkalık Ayarı	89
Toka Kullanımı	90
Omuz ve Bel Kayışlarının Kullanımı	90
Baldır Desteği Ayarı	90
Ön Döndürme Kilidi Kullanımı	90
Fren Kullanımı	91
Tente Kullanımı	91
Kulp Ayarı	91
Omuz Kayışı Kılıfı ve Kasık Kayışı Kılıfı Kullanımı	91
Bebek Arabasını Katlama	91
Aksesuarların Kullanımı	91
Tekstil Malzemelerini Çıkarma ve Monte Etme	92
Temizlik ve Bakım	92

Acil durum

Acil durum veya kaza hâlinde, çocuğunuza hemen ilk yardım ve tıbbi tedavi uygulanması çok önemlidir.

Ürün Bilgisi

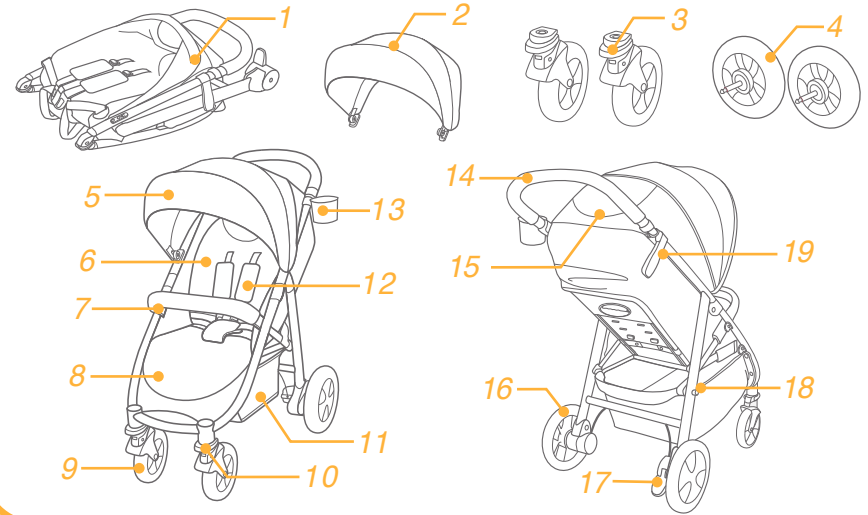
Bu ürünü kullanmadan önce bu kılavuzdaki tüm talimatları okuyun. Sorularınız varsa lütfen satıcıyla iletişime geçin. Bazı özellikler modele bağlı olarak değişebilir.

Ürün	Mytrax flex Bebek Arabası
Uygunluk:	Bu ürün, doğumdan 22kg'a veya 4 yaşına kadar olan çocuklar için uygundur (hangisi önce gelirse).
Malzemeler	Plastik, metal, kumaş
Patent No.	Patentler beklemededir
Çin'de	üretilmiştir
Marka	Joie
Web sitesi	www.joiebaby.com
Üretici	Allison GmbH

Parça Listesi

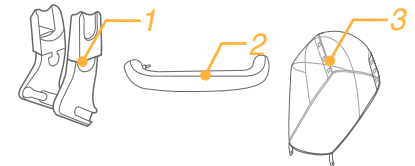
Montajdan önce tüm parçaların olduğundan emin olun. Eksik parça varsa lütfen yerel satıcınıza başvurun. Montaj için alet gerekli değildir.

1 Bebek Arabası Çerçevesi	6 Koltuk Yastığı	12 Omuz Kayışı	18 Depolama Bağlantısı
2 Tente	7 Kolçak	13 Bardak Tutucu	19 Depolama Mandalı
3 Ön Teker	8 Baldır Desteği	14 Kulp	
4 Arka Teker	9 Ön Teker	15 Tente Penceresi	
5 Tente	10 Döndürme Kilidi	16 Arka Teker	
	11 Depolama Sepeti	17 Fren Kolu	



Aksesuarlar (dâhil olmayabilir)

- 1 Adaptör (bazı modellerde)
- 2 Kolçak Kılıfı (bazı modellerde)
- 3 yağmur kapak (bazı modellerde)



Aksesuarlar, bölgeye bağlı olarak ayrı satılabilir veya mevcut olmayabilir.

UYARI

- ! UYARI Kullanmadan önce tüm kilitleme mekanizmalarının bağlı olduğundan emin olun.
- ! UYARI Yaralanmayı önlemek için bu ürünü açarken ve katlarken çocuğunuzun uzakta olduğundan emin olun.
- ! UYARI Çocuğunuzun bu ürünler oynamasına izin vermeyin.
- ! UYARI Daima emniyet kemeri sistemini kullanın.
- ! UYARI Her kullanımdan önce port-bebe veya oturma ünitesi veya oto güvenlik koltuğu donatılarının doğru şekilde bağlı olduğunu kontrol edin.
- ! Montaj yetişkin tarafından yapılmalıdır.
- ! Bebek arabasını 22 kilonun altındaki çocukla kullanın. Sığmayan çocuk bebek arabasında hasara neden olur.
- ! Tehlikeli, dengesiz bir durumu önlemek için, depolama sepetine 4,5 kg ağırlıktan fazlasını koymayın.
- ! Bardak tutucuda önerilen en fazla ağırlık 0,5 kg'dır.
- ! Asla çocuğunuzu gözetimsiz bırakmayın. Bebek arabasındayken, çocuğu hep göz önünde tutun.
- ! Bebek arabasını aynı anda yalnızca bir çocukla kullanın. Kulpa veya tenteye asla cüzdan, alışveriş torbası, koli ya da aksesuar koymayın.
- ! Üretici tarafından onaylanmamış aksesuarlar kullanılmamalıdır. Yalnızca üretici tarafından sağlanan veya önerilen yedek parçalar kullanılmalıdır.
- ! Aşırı yüklemek, yanlış katlamak veya başka üreticilerin tamamlayıcı parçalarını kullanmak bebek arabasının hasar görmesine, kırılmasına ya da güvensiz duruma gelmesine neden olabilir. Lütfen talimat kılavuzunu dikkatlice okuyun.
- ! Ürünü kullanmadan önce lütfen kılavuzdaki tüm talimatları okuyun. İleride kullanmak için lütfen talimat kılavuzunu saklayın. Bu uyarılara ve talimatlara uymamak ciddi yaralanma ya da ölümlle sonuçlanabilir.
- ! Düşme veya kayma nedeniyle ciddi yaralanmayı önlemek için mutlaka emniyet kemeri kullanın.
- ! Bebek arabasını ayarlarken, çocuğunuzun gövdesinin hareketli parçalardan uzak olduğundan emin olun.
- ! Çocuğun bebek arabasına yaklaşmasına izin vermeden önce bebek arabasının tamamen açıldığından veya katlandığından emin olun.
- ! Kayış kullanılmazsa, çocuk bacak açıklıklarına kayabilir ve boğulabilir.
- ! Bebek arabasını sabit ya da yürüyen merdivenlerde asla kullanmayın.
- ! Yüksek sıcaklıktaki nesnelere, sıvılardan ve elektronik aygıtlardan uzak tutun.
- ! Çocuğunuzun bebek arabasında ayağa kalkmasına veya kafasını arabanın önüne doğru uzatmış biçimde oturmasına asla izin vermeyin.
- ! Bebek arabasını yollara, eğimli yerlere veya tehlikeli alanlara asla bırakmayın.

- ! Boğulmayı önlemek için, çocuğunuzun boynunun etrafında ipli nesnelere BULUNDURMAYIN, üründen ipler ASMAYIN veya oyuncaklara ip BAĞLAMAYIN.
- ! Kulpa, arkalığın sırt kısmına veya bebek arabasının yan taraflarına takılan yükler, bebek arabasının dengesini etkileyecektir.
- ! Çocuk içinde otururken bebek arabasını yukarı kaldırmayın.
- ! Depolama sepetini çocuk taşıma aracı olarak kullanmayın.
- ! Devrilmeyi önlemek için, çocuğunuzun bebek arabasına tırmanmasına asla izin vermeyin. Her zaman çocuğu havaya kaldırarak bindirin ve indirin.
- ! Bebek arabasını katlarken ve açarken parmağınızı sıkıştırmamaya dikkat edin.
- ! Yaralanmayı önlemek için, bu ürünü açarken ve katlarken çocuğunuzun uzakta olduğundan emin olun.
- ! Çocuğunuzun güvenliğini sağlamak için, bebek arabasını kullanmadan önce lütfen tüm parçaların monte edildiğinden ve düzgün biçimde sabitlendiğinden emin olun.
- ! Boğulmayı önlemek için, çocuğunuzun tenteden uzak olduğundan emin olun.
- ! Bebek arabasını park ederken her zaman frenleri etkinleştirin.
- ! Hasar görürse veya kırılırsa bebek arabasını kullanmayı bırakın.
- ! Bebek arabası yalnızca yürüme hızında kullanılmalıdır. Bu ürün koşu yaparken kullanıma uygun değildir.
- ! Yanıkları önlemek için, bardak tutucuya asla sıcak sıvılar koymayın.
- ! Boğulmayı önlemek için, ürünü kullanmadan önce plastik torbayı ve ambalaj malzemelerini çıkarın. Çıkarılan plastik torba ve ambalaj malzemeleri bebeklerden ve çocuklardan uzak tutulmalıdır.
- ! Bu ürün koşu veya paten için uygun değildir.
- ! Doğumdan itibaren kullanılmak üzere tasarlanmış bebek arabasının, yeni doğan bebekler için en yatık konumda kullanılması önerilir.
- ! Çocuğunuzu yerleştirirken ve kaldırırken park etme mekanizması etkinleştirilmelidir.
- ! Bir şasiyle birlikte kullanılan çocuk koltukları için, bu araç karyola veya yatak yerine geçmez. Çocuğunuzun uyması gerektiğinde, uygun bir taşınabilir bebek yatağına, karyolaya veya yatağa yatırılmalıdır.
- ! Kendisi ayakta duran, yanda kendine civiren ve dizlerin üstünde yuruyen bir çocuk için portatif besilik kullanmayın. Cocuguk maksimum ağırlık 9 Kg olması gerekiyor.”
- ! Portbebe ile verilen yataktan başka yatak kullanmayınız ve yatak eklemeyiniz.
- ! Bu ürün, doğumdan 22kg'a veya 4 yaşına kadar olan çocuklar için uygundur (hangisi önce gelirse).

Bebek Arabası Montajı

Lütfen bu ürünü monte etmeden ya da kullanmadan önce bu kılavuzdaki tüm talimatları okuyun.

Bebek Arabasını Açma

bkz. görüntü 1 - 2

Depolama mandalını depolama bağlantısından ayırın 1 ve kulpu yukarı doğru kaldırın 2; tıklama sesi bebek arabasının tamamen açıldığı anlamına gelir.

! Kullanmaya devam etmeden önce, bebek arabasının mandalla tamamen kilitletiğini kontrol edin.

Ön Teker Monte Etme ve Çıkarma

bkz. görüntü 3 - 4

Arka Teker Monte Etme ve Çıkarma

bkz. görüntü 5 - 6

Kolçağı Monte Etme ve Çıkarma

bkz. görüntü 7 - 8

Tenteyi Monte Etme

bkz. görüntü 9 - 10

Bardak Tutucuyu Montaj & Sökme

bkz. görüntü 11 - 12

Tamamen monte edilen bebek arabası 13 ile gösterilmektedir.

Bebek Arabası Kullanımı

Arkalık Ayarı

bkz. görüntü 14 - 15

Arkalık için 4 tane yatırma açısı vardır.

Arkalığı Yatırma

Arkalığı yatırmak için, koltuğun arkasındaki yatırma kulpunu sıkıp arkalığı aşağı çekin. 14

Arkalığı Yükseltme

Arkalığı yükseltmek için yukarı itin. 15

! Yatırma açısının kullanıma uygun ayarlandığından emin olun.

Toka Kullanımı

bkz. görüntü 16 - 17

Tokayı Serbest Bırakın

Tokayı serbest bırakmak için orta düğmeye basın. 16

Tokayı Kilitleme

Bel kemeri tokasını omuz tokasıyla eşleştirip 17 - 1 orta tokaya kilitleyin. 17 - 2 "Tıklama" sesi, tokanın tamamen kilitletiğini anlamına gelir. 17 - 3

! Düşme veya kayma sonucu oluşacak ciddi yaralanmaları önlemek için, çocuğunuzu her zaman kayışla sabitleyin.

! Çocuğunuzun güvenli biçimde sabitlendiğinden emin olun. Çocuk ve omuz kayışı arasındaki mesafe yaklaşık bir el kalınlığında olmalıdır.

! Omuz kemerlerini çaprazlamayın. Bu, çocuğun boynuna basınç uygular.

Omuz ve Bel Kayışlarının Kullanımı

bkz. görüntü 18 - 21

! Çocuğunuzun düşmesini önlemek için, çocuğunuz koltuğa yerleştirildikten sonra omuz ve bel kayışlarının doğru yükseklikte ve uzunlukta olup olmadığını kontrol edin.

18 - 1 Omuz kayışı tutturma noktası A

18 - 2 Omuz kayışı tutturma noktası B

18 - 3 Kayar ayarlayıcı

Daha büyük çocuk için, omuz kayışı tutturma noktası A ve en yüksek omuz deliklerini kullanın. Daha küçük çocuk için, omuz kayışı tutturma noktası B ve en düşük omuz deliklerini kullanın.

Omuz kayışı tutturma noktasının konumunu ayarlamak için, tutturma noktasını öne bakan tarafla aynı düzeyde olacak şekilde döndürün. Omuz kayışı deliği içinden arkadan öne doğru geçirin. 19 Çocuğunuzun omuz yüksekliğine en yakın olan delikten tekrar geçirin. 20

Kayış uzunluğunu değiştirmek için kayar ayarlayıcıyı kullanın. 21 - 1

Bel kayışını doğru uzunlukta tutarken düğmeye basın. 21 - 2 21 - 3

Baldır Desteği Ayarı

bkz. görüntü 22

Baldır desteği 2 konuma sahiptir.

Baldır desteğini yükseltmek için yukarı doğru itin. "Tıklama" sesi, baldır desteğinin tamamen kilitletiğini anlamına gelir.

Baldır desteğini alçaltmak için, baldır desteğinin her iki tarafındaki ayar düğmelerine basın 22 - 1 ve baldır desteğini aşağı doğru döndürün. 22 - 2

Ön Döndürme Kilidi Kullanımı

bkz. görüntü 23

Hareket yönünü korumak için ön döndürme kilitlerini yukarı itin. 23

İpucu

Döndürme kilitlerinin düz olmayan yüzeylerde kullanılması önerilir.

Fren Kullanımı bkz. görüntü 24 - 25

Tekerleri kilitlemek için fren koluna ayağınızla basın. 24

Tekerleri serbest bırakmak için fren kolunu yukarı doğru kaldırmamız yeterlidir. 25

İpucu Bebek arabası kullanılmıyorken her zaman park frenine alın.

Tente Kullanımı bkz. görüntü 26

Tente açılabilir veya katlanabilir; öne ya da arkaya doğru çekin.

Tente, çocuğunuzu güneşten en iyi şekilde korumak için tamamen açılabilir; fermuarı açık 26, tenteyi öne doğru çekmeniz yeterlidir.

Tentede, bebeğinizi görebilmenizi sağlayan bir pencere vardır.

Kulp Ayarı bkz. görüntü 27

Omuz Kayışı Kılıfı ve Kasık Kayışı Kılıfı Kullanımı

Omuz kayışı kılıfı ya da kasık kayışı kılıfı şeritten çıkarılabilir. Omuz kayışı kılıfını ve kasık kayışı kılıfını takmak için adımları ters yönde izleyin.

Bebek Arabasını Katlama

bkz. görüntü 28 - 31

! Lütfen bebek arabasından önce tenteyi katlayın.

1. Katlama şeridini yukarı doğru çektiğinizde, çerçeve otomatik olarak geriye doğru katlanacaktır. 29 - 1

2. Depolama mandalı otomatik olarak depolama bağlantısına geçecek, ardından bebek arabası tamamen katlanıp kilitlenecektir. 30

3. Bebek arabası, katlanmış durumdayken dik olarak durabilir. 31

Aksesuarların Kullanımı

Aksesuarlar, bölgeye bağlı olarak ayrı satılabilir veya mevcut olmayabilir.

Çocuk Koltuğuyla Kullanım

bkz. görüntü 32 - 38

Joie Gemm, iGemm 2, i-Snug & iLevel çocuk koltuğuyla kullanırken lütfen aşağıdaki talimatlara başvurun.

! Çocuk koltuğunu kullanmadan önce, lütfen arkalığın en alçak konuma ayarlandığından ve çocuk koltuğunun sabitlendiğinden emin olun.

! Çocuk koltuğunu kullanma konusunda herhangi bir sorun yaşarsanız, lütfen ilgili talimat kılavuzlarına başvurun.

! Bebek arabasını, çocuk koltuğu takılı durumdayken katlamayın.

Tekstil Malzemelerini Çıkarma ve Monte Etme bkz. görüntü 39 - 50

1. Kolçak kılıfını gösterildiği gibi çıkarın. 39

2. Tentenin arka panelindeki fermuarı açın. 40

! Tekstil malzemelerini çıkarmayı kolaylaştırmak için arkalığı en alçak konuma ayarlayın.

3. Baldır desteği kılıfını çıkarın. 41

4. Koltuğun altındaki tokayı açın. 42

! Lütfen destek kartını dikkatli tutun, yumuşak ürünleri monte ederken destek kartını monte etmeniz gerekir. 49 50

Koltuk tekstil malzemelerini geri takmak için yukarıdaki adımları ters yönde izleyin 50 - 39

Joie Portatif Karyolayla Kullanım

bkz. görüntü 51 - 52

Joie ramble, ramble xl portatif karyolayla kullanırken lütfen aşağıdaki talimatlara başvurun.

! Portatif karyolayı kullanma konusunda herhangi bir sorun yaşarsanız, lütfen ilgili talimat kılavuzlarına başvurun.

! Portatif karyolayı kullanırken mutlaka şilteden yararlanın.

! Portatif karyolayı takarken lütfen bebek arabasını katlamayın.

Yagmur ortusu kullanimi

bkz. görüntü 53

Yagmur ortusu montaji etmesi icin , ilk once bebek arabasina ustunde yerlestirin ve sonradan olan cif 8 adet zimbalar yapistirin. 53

! Yagmur ortusu kullanmadan once , en dusuk pozisyona olan arkalinin ayarlandigina ve cocugu sandaliyesi sabitlestigine emin olun.

! Yagmur ortusu kullandigin zaman havalandirmasini kontrol edin.

! Yagmu ortusu kullanmadigin zaman , katlanmadan nce temizlendigine ve kurulduguna emin olun.

! Kesimi ve yirtmasin onlemek icin yagumr ortusu bebek arabasin ustunde cikartin.

! Yagmur ortusu montaj edildigikten sonra bebek arabasini katlanmayin.

! Sicak mevsinden montaj edildigin yagmur ortusunu cocugunuz bebek arabasi icinde koymayin.

Temizlik ve Bakım

bkz. görüntü 54

! Bebek arabası çerçevesini temizlemek için yalnızca ev sabunu ve ılık su kullanın. Çamaşır suyu ya da deterjan kullanmayın. Bebek arabasının kumaş parçalarının temizliği konusunda yönergeler için lütfen bakım etiketine başvurun.

! Çıkarılabilir yumuşak ürünler makinede yıkanabilir. Çamaşır suyu kullanmayınız. Koltuk kılıfını ve iç dolguyu kurutmak için aşırı kuvvetli sıkmayın. Sıkmak koltuk kılıfını ve iç dolguyu buruşuk bırakabilir.

! Gevşeyen vidalar, eskimiş parçalar, yırtık malzeme ya da sökülmüş dikiş olup olmadığını belirlemek için bebek arabanızı ara sıra kontrol edin. Gerek duyduğunuzda ilgili parçaları değiştirin ya da onarın. Plastik parçaları düzenli olarak yumuşak, nemli bir bezle silerek temizleyin. Bebek arabası suyla temas ederse, pas oluşumunu önlemek için metal parçaları mutlaka kurulaşın.

! Güneşe ya da ısıya uzun süre maruz kalması durumunda parçaların rengi solabilir ya da biçimsel bozulmalar görülebilir.

! Bebek arabası ıslanırsa, tenteyi açın ve depolamadan önce iyice kurumasını sağlayın.

! Tekerler gıcırdaysa, hafif bir yağ (örneğin Silikon Sprey, paslanma önleyici yağ ya da dikiş makinesi yağı) kullanın. Yağı aksa ve teker donanımına uygulamak önemlidir. 54

! Bebek arabanızı plajda veya başka kumlu/tozlu ortamlarda kullanırken, mekanizmalar ve teker donanımlarındaki kumu ve tuzu gidermek için, bebek arabanızı kullanım sonrasında tamamen temizleyin.

Поздравляем вас с тем, что вы стали частью семьи Joie! Мы рады отправиться в путь вместе с вами и вашим малышом. Путешествуя с коляской Joie Mytrax™ flex, вы используете высококачественную коляску, сертифицированную по европейскому стандарту безопасности EN 1888-2:2018. Данное изделие предназначено для детей весом до 22 кг или возрастом до 4 лет (в зависимости от того, что наступит раньше). Внимательно прочтите настоящее руководство и следуйте всем рекомендациям, чтобы обеспечить удобство в поездке и максимальную защиту для ребенка.

ВАЖНО! Сохраните настоящее руководство для использования в будущем.

Скачать руководства и ознакомиться с другой замечательной продукцией Joie можно на веб-сайте joiebaby.com.

Для получения информации по гарантии, пожалуйста, посетите наш сайт joiebaby.com

Содержание

Рисунки	1-11
ВНИМАНИЕ	95
Сборка коляски	97
Раскладывание коляски	97
Сборка и установка передних колес	97
Сборка и установка задних колес	97
Сборка и установка поручня	97
Сборка козырька	97
Монтаж и демонтаж подстаканника	97
Использование коляски	97
Регулировка положения спинки	97
Использование пряжки	98
Использование плечевых и поясных ремней	98
Регулировка положения опоры для ног	98
Использование фиксатора передних колес	98
Использование тормоза	99
Использование козырька	99
Регулировка положения ручки	99
Использование накладок для плечевых ремней и пахового ремня	99
Складывание коляски	99
Использование принадлежностей	99
Снятие и надевание деталей из ткани	100
Чистка и уход	100

Непредвиденные ситуации

В случае возникновения чрезвычайного происшествия или аварийной ситуации следует незамедлительно оказать ребенку первую помощь и обратиться к врачу.

Информация об изделии

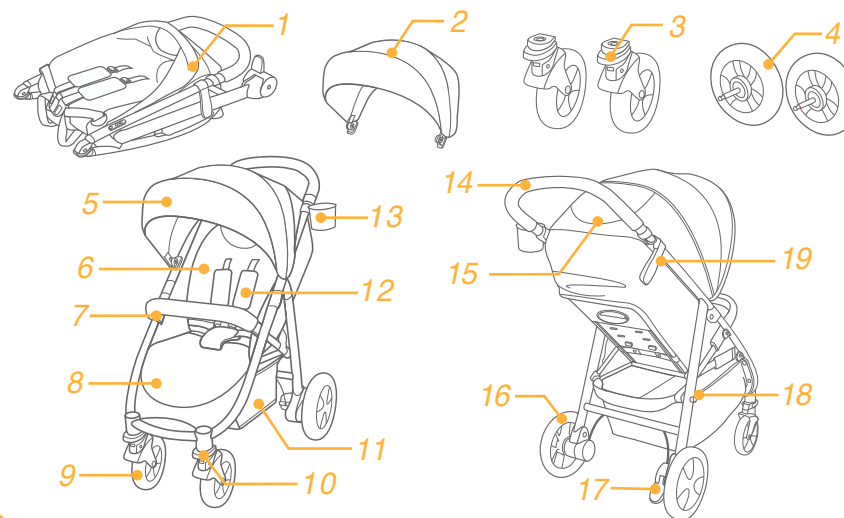
Перед использованием данного изделия прочтите все инструкции в настоящем руководстве. С вопросами обращайтесь в магазин, где было приобретено изделие. Некоторые элементы могут отличаться у различных моделей.

Изделие:	коляска Mytrax flex
Подходит для детей:	Данное изделие предназначено для детей весом до 22 кг или возрастом до 4 лет (в зависимости от того, что наступит раньше).
Материалы:	пластик, металл, ткань
Номер патента:	патенты оформляются
Страна производства:	KНР
Марка:	Joie
Веб-сайт:	www.joiebaby.com
Производитель:	Allison GmbH

Список деталей

Перед сборкой коляски проверьте наличие всех деталей. В случае отсутствия любых деталей обратитесь в магазин, где была приобретена коляска. Для сборки не требуются инструменты.

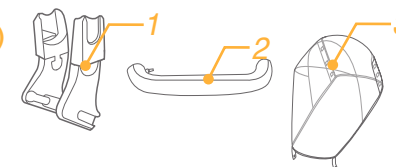
1 Рама коляски	7 Поручень	11 Вещевая корзина	17 Педаль тормоза
2 Козырек	8 Опора для ног	12 Плечевые ремни	18 Защелка для хранения
3 Передние колеса	9 Передние колеса	13 Подстаканник	19 Фиксатор для хранения
4 Задние колеса	10 Фиксатор передних колес	14 Ручка	
5 Козырек		15 Окно в козырьке	
6 Подкладка		16 Задние колеса	



Принадлежности

(могут не входить в комплект поставки)

- 1 Адаптер (у некоторых моделей)
- 2 Чехол поручня (у некоторых моделей)
- 3 Дождевик (у некоторых моделей)



Принадлежности могут продаваться отдельно или не предлагаться в некоторых регионах.

ПРЕДУПРЕЖДЕНИЯ

- ! **ВНИМАНИЕ!** Всегда используйте систему фиксации. Необходимо надлежащим образом использовать ремни безопасности и систему фиксации.
- ! **ВНИМАНИЕ!** Прежде чем использовать коляску, убедитесь, что задействованы все фиксаторы.
- ! **ВНИМАНИЕ!** Не позволяйте ребенку играть с данным изделием.
- ! **ВНИМАНИЕ!** Перед использованием коляски убедитесь, что все крепежные устройства системы фиксации новорожденного ребенка задействованы надлежащим образом.
- ! Сборку должны осуществлять взрослые.
- ! В коляске допускается перевозить детей весом не более 22 кг. Перевозка в коляске детей большего веса может привести к ее повреждению.
- ! Во избежание опасности опрокидывания коляски не помещайте в вещевую корзину предметы весом более 4,5 кг.
- ! Подстаканник рассчитан на максимальный вес 0,5 кг (1 фунт).
- ! Категорически запрещается оставлять ребенка без присмотра. Ребенок, находящийся в коляске, должен быть всегда под присмотром.
- ! В коляске допускается перевозить только одного ребенка. Запрещается помещать на ручку и козырек кошельки, сумки, свертки и принадлежности.
- ! Не разрешается использовать принадлежности, не одобренные производителем коляски. Допускается использование только запасных частей, поставляемых или рекомендованных производителем коляски.
- ! Превышение допустимой нагрузки, неправильное складывание и использование деталей других производителей может привести к повреждению, поломке и снижению безопасности коляски. Пожалуйста, внимательно прочтите настоящее руководство по эксплуатации.
- ! Перед использованием данного изделия прочтите все инструкции в настоящем руководстве. Сохраните настоящее руководство по эксплуатации для использования в будущем. Несоблюдение этих предупреждений и инструкций может привести к причинению серьезного вреда здоровью или летальному исходу.
- ! Во избежание причинения серьезного вреда здоровью ребенка в результате падения или выскальзывания из коляски обязательно используйте ремни безопасности.
- ! Во время регулировки коляски тело ребенка не должно соприкасаться с какими бы то ни было подвижными деталями.
- ! Прежде чем подпускать ребенка к коляске, обязательно полностью разложите или сложите ее.
- ! Если ребенок не пристегнут ремнем, он может выскользнуть через нижнюю часть коляски, что может привести к удушению.
- ! Категорически запрещается использовать коляску на лестницах и эскалаторах.
- ! Коляску необходимо держать вдали от горячих предметов, жидкостей и электронных приборов.
- ! Никогда не разрешайте ребенку стоять на коляске, а также сидеть в

коляске лицом к передней части.

- ! Категорически запрещается помещать коляску на проезжую часть, уклоны и в другие опасные места.
- ! Во избежание удушения ЗАПРЕЩАЕТСЯ завязывать какие-либо предметы на шею ребенка, свешивать ленты и веревки с коляски, а также прикреплять веревки и ленты к игрушкам.
- ! Прикрепление любого груза к ручке к спинке или боковым частям коляски приведет к нарушению устойчивости коляски.
- ! ЗАПРЕЩАЕТСЯ поднимать коляску с находящимся в ней ребенком.
- ! ЗАПРЕЩАЕТСЯ помещать ребенка в вещевую корзину.
- ! Во избежание опрокидывания не позволяйте ребенку карабкаться по коляске. Усаживать и вынимать ребенка из коляски должен взрослый.
- ! Во избежание зажатия соблюдайте осторожность при складывании и раскладывании коляски.
- ! Во избежание причинения вреда здоровью ребенка не складывайте и не раскладывайте коляску вблизи ребенка.
- ! С целью обеспечения безопасности ребенка перед использованием коляски необходимо убедиться, что все детали собраны и закреплены надлежащим образом.
- ! Во избежание удушения удостоверьтесь, что козырек не касается ребенка.
- ! Остановив коляску, обязательно задействуйте тормоза.
- ! В случае повреждения или поломки коляски прекратите ее дальнейшее использование.
- ! Коляску допускается катить только со скоростью пешей ходьбы. Коляска не предназначена для использования во время бега.
- ! Во избежание ожогов не помещайте в подстаканник горячие жидкости.
- ! Во избежание удушья снимите с коляски пластиковую упаковку и другие упаковочные материалы перед использованием коляски. Храните пластиковые упаковочные материалы в местах, недоступных для маленьких детей.
- ! Данное изделие не предназначено для использования во время бега или катания на роликах.
- ! Для новорожденных спинку коляски рекомендуется опустить в самое низкое положение.
- ! Перед тем как помещать ребенка в коляску или извлекать его из коляски, необходимо задействовать тормоза.
- ! Удерживающая система для новорожденных в данной коляске не заменяет люльку или кроватку для новорожденных. Чтобы уложить ребенка спать, его необходимо перенести в подходящую лежащую коляску, люльку или кровать.
- ! Данная люлька-переноска предназначена только для детей, которые не могут сидеть самостоятельно, перекачиваться и подниматься на руках и коленях. Максимальный вес ребенка: 9 кг.
- ! НЕДОПУСТИМО использовать или добавлять какой-либо матрас, кроме матраса, входящего в комплект поставки данной люльки-переноски.
- ! Данное изделие предназначено для детей весом до 22 кг или возрастом до 4 лет (в зависимости от того, что наступит раньше).

Сборка коляски

Перед сборкой и использованием коляски прочтите все инструкции в настоящем руководстве.

Раскладывание коляски

См. рисунки 1 - 2

Отсоедините фиксатор для хранения от защелки для хранения 1, затем поднимите ручку вверх 2. При полном раскладывании коляски должен прозвучать щелчок.

! Перед использованием удостоверьтесь, что коляска полностью зафиксирована в разложенном состоянии.

Сборка и установка передних колес

См. рисунки 3 - 4

Сборка и установка задних колес

См. рисунки 5 - 6

Сборка и установка поручня

См. рисунки 7 - 8

Сборка козырька

См. рисунки 9 - 10

Монтаж и демонтаж подстаканника

См. рисунки 11 - 12

Полностью собранная коляска показана на рисунке 13.

Использование коляски

Регулировка положения спинки

См. рисунки 14 - 15

Спинку можно установить под 4 углами наклона.

Опускание спинки

Чтобы откинуть спинку, сожмите ручку регулировки наклона на задней стороне спинки и потяните спинку вниз. 14

Поднятие спинки

Чтобы поднять спинку, переместите ее вверх. 15

! Установите подходящий для использования наклон спинки.

Использование пряжки

См. рисунки 16 - 17

Расстегивание пряжки.

Нажмите на центральную кнопку, чтобы расстегнуть пряжку. 16

Застегивание пряжки

Совместите пряжку на поясном ремне с пряжкой на плечевом ремне 17 - 1 и защелкните их в центральной пряжке. 17 - 2 Когда пряжка застегнется должным образом, прозвучит щелчок. 17 - 3

! Во избежание причинения серьезного вреда здоровью ребенка в результате падения или выскальзывания из коляски обязательно пристегивайте ребенка ремнем.

! Удостоверьтесь, что ремни плотно прилегают к телу ребенка. Расстояние между ребенком и плечевыми ремнями не должно превышать толщину ладони.

! Не перекрещивайте плечевые ремни. Это приведет к сдавливанию шеи ребенка.

Использование плечевых и поясных ремней

См. рисунки 18 - 21

! Во избежание выпадения ребенка из коляски, усадив его в коляску, удостоверьтесь, что плечевые и поясные ремни установлены на правильную высоту и имеют подходящую длину.

18 - 1 Фиксатор плечевого ремня А

18 - 2 Фиксатор плечевого ремня В

18 - 3 Регулятор длины ремня

Для ребенка большого роста используйте фиксаторы плечевых ремней А и верхние прорези для ремней. Для ребенка небольшого роста используйте фиксаторы плечевых ремней В и нижние прорези для ремней.

Для регулировки положения фиксатора плечевого ремня разверните его плашмя и торцом вперед. Проденьте фиксатор через прорезь для плечевого ремня сзади вперед. 19 Снова проденьте его через прорезь, расположенную ближе всего к плечам ребенка. 20

С помощью регулятора длины отрегулируйте длину ремня. 21 - 1

Нажмите на кнопку 21 - 2 и одновременно вытяните поясной ремень на требуемую длину. 21 - 3

Регулировка положения опоры для ног

См. рисунки 22

Опору для ног можно установить в 2 положения.

Чтобы поднять опору для ног, потяните ее вверх. Когда опора зафиксируется должным образом, прозвучит щелчок.

Чтобы опустить опору для ног, нажмите на регулировочные кнопки 22 - 1 по обоим ее бокам и опустите опору для ног вниз. 22 - 2

Использование фиксатора передних колес

См. рисунки 23

Переместите фиксаторы вращения передних колес вверх, чтобы заблокировать их в направлении движения. 23

Совет фиксаторы вращения передних колес рекомендуется использовать на неровных поверхностях.

Использование тормоза

См. рисунки 24 - 25

Чтобы заблокировать колеса, опустите ногой педаль тормоза вниз. 24

Чтобы разблокировать колеса, поднимите педаль тормоза вверх. 25

Совет

всегда задействуйте тормоз, если не перемещаете коляску.

Использование козырька

См. рисунки 26

Козырек можно разложить, сложить, переместить вперед и переместить назад.

Козырек можно разложить полностью, чтобы максимально защитить ребенка от солнца. Для этого расстегните молнию 26 и потяните козырек вперед.

На козырьке предусмотрено окно, через которое можно наблюдать за ребенком.

Регулировка положения ручки

См. рисунки 27

Использование накладок для плечевых ремней и пахового ремня

Накладки наплечных и поясных ремней можно снять. Чтобы надеть накладки на плечевые и поясные ремни выполните действия в обратном порядке.

Складывание коляски

См. рисунки 28 - 31

! Перед складыванием коляски необходимо сложить козырек.

1. Потяните вверх ручку для складывания, рама коляски автоматически сложится назад. 29 - 1

2. Фиксатор для хранения автоматически застегнется на защелке для хранения. После этого коляска будет полностью сложена и зафиксирована. 30

3. В сложенном состоянии коляска может стоять вертикально. 31

Использование принадлежностей

Принадлежности могут продаваться отдельно или не предлагаться в некоторых регионах.

Использование коляски с системой фиксации для новорожденных

См. рисунки 32 - 38

При использовании коляски с системой фиксации Joie Gemm, iGemm 2, i-Snug & iLevel для новорожденных следуйте приведенным ниже инструкциям.

! Перед использованием системы фиксации для новорожденных установите спинку в самое низкое положение и закрепите систему фиксации для новорожденных.

! В случае возникновения любых проблем при использовании системы фиксации для новорожденных, ознакомьтесь с руководством по эксплуатации этой системы.

! Не складывайте коляску с установленной системой фиксации для новорожденных.

Снятие и надевание деталей из ткани

См. рисунки 39 - 50

1. Снимите чехол с поручня, см. рисунок 39

2. Расстегните молнию на задней части козырька. 40

! Опустите спинку в самое низкое положение, чтобы облегчить снятие деталей из ткани.

3. Снимите чехол с опоры для ног. 41

4. Расстегните пряжку на нижней части сиденья. 42

! Осторожно удерживайте подложку, ее необходимо установить при надевании тканевой обивки. 49 50

Чтобы надеть детали из ткани выполните приведенные выше шаги в обратном порядке. 50 - 39

Использование с люлькой-переноской Joie

См. рисунки 51 - 52

При использовании с люлькой-переноской Joie Ramble, gamble xl соблюдайте следующие инструкции.

! В случае возникновения любых проблем при использовании люльки-переноски ознакомьтесь с руководством по эксплуатации люльки.

! При использовании люльки-переноски всегда используйте матрас.

! Не складывайте коляску с установленной люлькой-переноской.

Дождевик

Чтобы закрепить дождевик, натяните его на коляски и закрепите 8 липучек на коляске. 53

! Перед использованием дождевика, пожалуйста, убедитесь, что спинка была установлена в самое низкое положение и переноска закреплена.

! Пожалуйста, проверяйте вентиляцию при использовании дождевика.

! Перед тем как сложить дождевик, убедитесь что он чистый и сухой.

! Не складывайте коляску с дождевиком на ней.

! Не сажайте вашего ребенка в коляску с дождевиком в жаркую погоду.

Чистка и уход

См. рисунки 54

! Для чистки рамы коляски используйте только бытовое мыло и теплую воду. Не допускается использование отбеливателей и моющих средств. Пожалуйста, обратитесь к инструкции по чистке тканевых частей коляски.

! Съёмную тканевую обивку допускается стирать в стиральной машине. Не отбеливать! Не скручивайте чехол и внутреннюю обивку сиденья при сушке. От этого на чехле и внутренней обивке сиденья могут появиться складки.

! Время от времени проверяйте коляску на предмет наличия ослабленных винтовых соединений, изношенных деталей, разрыва ткани и швов. Производите замену или ремонт деталей по необходимости. Время от времени протирайте пластиковые части мягкой мокрой тканью. Если коляска мокрая, всегда протирайте насухо металлические части, чтобы предотвратить коррозию, если коляска мокрая.

! Чрезмерное воздействие солнечного света может повлечь выцветание и деформацию деталей изделия.

! Если коляска намочена, разложите козырек и дайте коляске полностью высохнуть, прежде чем помещать ее на хранение.

! Если колеса скрипят, слегка смажьте их (например, силиконовым спреем, маслом от ржавчины или маслом для швейных машин). Необходимо нанести масло на ось и во втулку колеса. 54

! После использования коляски на пляже или в других местах, где имеется песок или пыль, полностью очистите коляску, чтобы удалить песок и соль с механизмов и колес.

Gratulujeme, právě jste se stali součástí rodiny Joie! Jsme nadšení, že jsme se stali částí vašeho života. Při cestování s kočárkem Mytrax flex, používáte vysoce kvalitní, plně certifikovaný kočárek, schválený dle evropských standardů EN 1888-2:2018. Tento produkt je vhodný pro děti do 22 kg nebo do 4 let (podle toho, co nastane dříve). Prosím přečtěte si pečlivě tento manuál a postupujte přesně dle zde uvedených kroků, pro zajištění komfortu a bezpečí pro vaše dítě. Navštivte nás na www.joiebaby.com pro stažení návodů a pro další informace k produktům Joie.

DŮLEŽITÉ, POKYNY SI POZORNĚ PŘEČTĚTE A USCHOVEJTE PRO POZDĚJŠÍ POUŽITÍ.

Obsah

Obrázky	1-11
Upozornění	103
Sestavení kočárku	105
Rozložení kočárku	105
Nasazení a sundání předních kol	105
Nasazení a sundání zadních kol	105
Nasazení a sundání madla	105
Nasazení a sundání boudy	105
Nasazení a sundání držáku na nápoje	105
Ovládání kočárku	105
Nastavení sklonu	105
Použití spony	106
Použití postroje	106
Nastavení nožní opěrky	106
Použití aretace předních kol	106
Použití brzdy	107
Nastavení rukojeti	107
Používání boudy	107
Použití polstrování postroje	107
Skládání kočárku	107
Používání doplňků	107
Sejmutí potahu	108
Péče a údržba	108

Stav nouze

V případě ohrožení, nebo úrazu, je nejdůležitější poskytnout vašemu dítěti okamžité ošetření a následnou lékařskou pomoc.

Informace o produktu

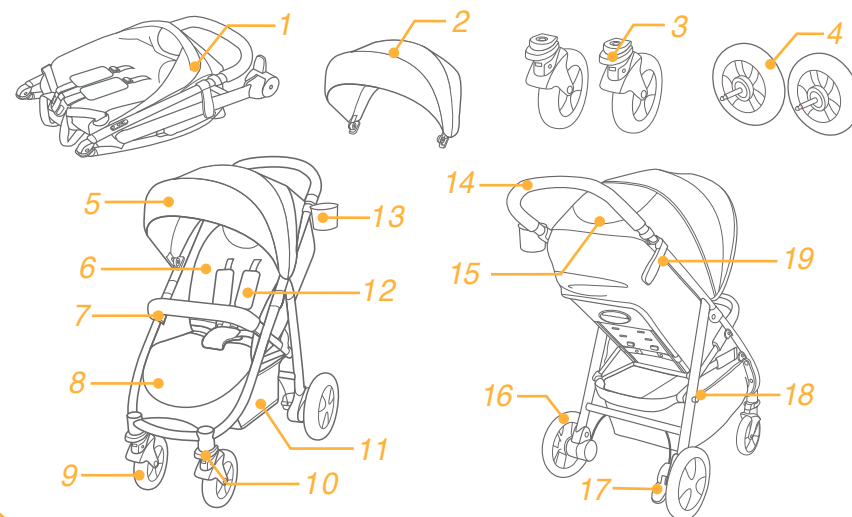
Před zahájením používání tohoto produktu si prosím nejprve pečlivě prostudujte tento manuál. Máte-li nějaké doplňující dotazy, konzultujte je s prodejcem. Některé funkce nemusí být přítomny v závislosti na modelu.

Výrobek:	kočárek Mytrax flex
Vhodná pro:	Tento produkt je vhodný pro děti do 22 kg nebo do 4 let (podle toho, co nastane dříve).
Materiály:	kov, plasty, látky
Vyrobeno v:	Číně
Značka:	Joie
Stránky:	www.joiebaby.com
Výrobce:	Allison GmbH

Seznam částí

Ujistěte se, že balení obsahuje všechny součásti výrobku. Některé součásti mohou být prodávány zvlášť. Máte-li nějaké doplňující dotazy, konzultujte je s prodejcem. Pro montáž není požadované žádné nářadí.

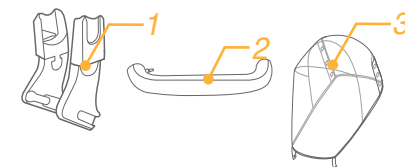
1 konstrukce kočárku	6 polstrování sezení	11 košík	16 zadní kolo
2 bouda	7 madlo	12 ramenní pásy	17 brzda
3 přední kolo	8 opěrka nohou	13 držák nápojů	18 uchycení košíku
4 zadní kolo	9 přední kolo	14 rukojeť	19 pojistka proti rozložení
5 bouda	10 aretace	15 okénko boudy	



Doplňky

(Nemusí být součástí)

- 1 adaptér (u některých modelů)
- 2 potah madla (u některých modelů)
- 3 pláštěnka (u některých modelů)



Doplňky mohou být prodávány zvlášť, nebo nemusí být vůbec k dispozici

UPOZORNĚNÍ

- ! Příslušenství, která nejsou schválena výrobcem, se nesmějí používat.
- ! Nikdy nenechávejte dítě bez dozoru.
- ! Odstraňte plastový obal, v němž byl kočárek zabalen, z dosahu dětí, hrozí nebezpečí udušení.
- ! Kočárek je určen pro převoz jednoho dítěte od narození do hmotnosti 22 kg.
- ! Vždy používejte zádržný systém.
- ! Při nepříznivém počasí /déšť, sníh/ vždy používejte originální pláštěnku.
- ! Není-li kočárek v pohybu, vždy jej zabrzděte.
- ! Neponechávejte kočárek odstavený ve svahu.
- ! Pamatujte, že jakékoliv břemeno zavěšené na rukojeti, vzadu na opěradle, nebo na boku kočárku, ovlivňuje stabilitu kočárku.
- ! Do košíku vkládejte pouze drobné, lehké předměty s maximální hmotností 4,5 kg.
- ! Zatížení držáku na nápoje je maximálně 0,5 kg.
- ! Tento výrobek není hračka. Nedovolte dítěti, aby si s tímto výrobkem hrálo.
- ! Nejezděte s kočárkem po schodech, eskalátorech a zvláštní pozornost dávejte ve výtahu.
- ! Tento výrobek není vhodný pro běhání, nebo jízdu na bruslích.
- ! Při opravách užívejte pouze originální výměnné části.
- ! Nepoužívejte ani neparkujte výrobek v blízkosti otevřeného ohně ani jiných zdrojů tepla, jako jsou například radiátory.
- ! Před použitím zkontrolujte, zda jsou připevňovací zařízení lůžka nebo sedačky nebo autosedačky správně zaklesnuta. Před použitím si ověřte, že jsou všechny zajišťovací prvky zaklesnuty.
- ! Kočárek nevystavujte nadměrně slunečnímu záření a nesušte jej na přímém slunci. Může dojít ke změně barvy potahové látky.
- ! Při skládání a rozkládání tohoto výrobku zajistěte, aby dítě nebylo v kočárku ani poblíž a nemohlo dojít k poranění dítěte.
- ! Kočárek vždy používejte pouze shodně s jeho určením.
- ! Vyhýbejte se jízdě v písku. Písek působí jako brusivo a poškodí středy kol.
- ! Kočárek splňuje normu EN 1888-2:2018.
- ! Kočárek přenášejte pouze v nutných případech uchopením za postranní trubky konstrukce kočárku.
- ! Kočárek nikdy nepřenášejte za madlo nebo rukojeť.
- ! Nedovolte vašemu dítěti, aby si s kočárkem hrálo / lezlo na něj. Převrácení kočárku na dítě může způsobit vážnou újmu na zdraví.
- ! Předejděte úrazu dítěte tím, že jej při skládání a rozkládání kočárku ponecháte v bezpečné vzdálenosti.

- ! Ujistěte se, že Vaše dítě nemá ruce tam, kde by se mohly zaklesnout nebo být přiskřípnuty, např. když se montují / demontují takové díly jako bouda, madélko nebo se provádí jiná manipulace.
- ! Nenechávejte dítě stát na kočárku.
- ! Neumísťujte kolem krku dítěte žádné provázky k uchycení například hraček, může dojít k uškrcení dítěte.
- ! Nikdy nezvedejte kočárek s dítětem.
- ! Nepoužívejte košík k přepravě dítěte.
- ! Při ukládání / zvedání dítěte do / z kočárku by tento kočárek měl být zabrzděný parkovací brzdou.
- ! Kočárek může být používán pouze při rychlosti chůze, není vhodný pro Joging.
- ! Nikdy nepoužívejte výrobek, je-li jeho část opotřebená, poškozená, nebo chybí.
- ! Kočárek nenahrazuje korbou ani postýlku. V případě potřeby delšího spánku by mělo být dítě umístěno do korby, nebo postýlky.
- ! Při použití kočárku od narození dítěte napolohujte zádivou opěrku co nejvíce do lehu.
- ! Tento produkt je vhodný pro děti do 22 kg nebo do 4 let (podle toho, co nastane dříve).

Sestavení kočárku

Před sestavováním kočárku si nejprve pečlivě přečtěte instrukce v tomto manuálu.

Rozložení kočárku

viz. obrázky 1 - 2

Odjistěte pojistku proti rozložení 1, poté zdvihněte rukojeť směrem vzhůru 2, až dokud neuslyšíte charakteristické kliknutí potvrzující správné rozložení konstrukce.

! Ujistěte se, zda je kočárek zcela rozložen a zajištěn před jeho používáním.

Nasazení a sundání předních kol

viz. obrázky 3 - 4

Nasazení a sundání zadních kol

viz. obrázky 5 - 6

Nasazení a sundání madla

viz. obrázky 7 - 8

Nasazení boudy

viz. obrázky 9 - 10

Nasazení a sundání držáku nápojů

viz. obrázky 11 - 12

Zcela rozložený kočárek je ukázán na obrázku 13.

Ovládání kočárku

Nastavení zádové opěrky

viz. obrázky 14 - 15

Zádovou opěrku lze nastavit do 4 poloh.

Nastavení nižšího stupně:

Pro nastavení nižšího stupně stiskněte tlačítko na zadní straně zádové opěrky a posunujte zádovou opěrku směrem dolů. 14

Zvednutí zádové opěrky:

Pro zvednutí zádové opěrky ji prostě zdvihněte směrem nahoru. 15

! Ujistěte se, že je zádová opěrka správně nastavená a zajištěná pro používání.

Použití spony

viz. obrázky 16 - 17

Rozeprnutí spony:

Stiskněte středové tlačítko na sponě pro její rozeprnutí. 16

Zapnutí spony:

Sestavte sponu bočního popruhu a ramenního popruhu 17 - 1 a zacvakněte je do spony. 17 - 2 Správné zajištění potvrdí charakteristické kliknutí. 17 - 3

! Pro zabránění riziku vážného zranění vašeho dítěte, vždy používejte postroj.

! Ujistěte se, že je vaše dítě bezpečně zajištěno. Pásky by měly být utaženy tak, aby prostor mezi nimi a dítětem odpovídal tloušťce jedné ruky.

! Nikdy nekřížte pásky, můžete tím způsobit zbytečný tlak na krk dítěte.

Použití ramenních a bočních pásů

viz. obrázky 18 - 21

! Pro zabránění pádu vašeho dítěte z kočárku, vždy po usazení do kočárku zkontrolujte, zda jsou pásky nastaveny ve správné výšce a délce.

18 - 1 prvek ramenního popruhu A

18 - 2 prvek ramenního popruhu B

18 - 3 prvek nastavení délky

Pro větší děti používejte prvek ramenního popruhu A v nejvyšším otvoru pro pásky. Pro

menší děti používejte prvek ramenního popruhu B v nejnižším otvoru pro pásky.

Pro nastavení výšky ramenního popruhu otočte jeho plastový prvek tak, aby menší

strana směřovala proti otvoru v zádové opěrce. Poté jej protáhněte otvorem. 19 Pásky provlékněte otvorem, který je nejbližší rameni dítěte. 20

Použijte prvek nastavení délky pásu pro upravení délky pásů. 21 - 1

Držte pojistku 21 - 2 a zároveň natáhněte pás na správnou délku. 21 - 3

Nastavení opěrky nohou

viz. obrázky 22

Opěrka nohou má 2 pozice.

Pro nastavení horní pozice zvedněte opěrku nohou směrem vzhůru. Zvuk kliknutí potvrdí správné zajištění opěrky.

Pro nastavení dolní pozice stiskněte pojistku na obou stranách opěrky nohou 22 - 1 a otočte opěrku nohou směrem dolů. 22 - 2

Použití aretace předních kol

viz. obrázky 23

Pro zablokování směru jízdy zdvihněte tlačítka aretace směrem vzhůru. 23

Tip

Na nerovném terénu doporučujeme používat zaaretovaná kola.

Použití brzdy

viz. obrázky 24 - 25

Pro zabrzdění, sešlápněte brzdu směrem dolů. 24

Pro odbrzdění, zdvihněte brzdu směrem vzhůru. 25

Tip

Pokud kočárek zastavíte, vždy jej ihned zabrzděte.

Použití boudy

viz. obrázky 26

Bouda může být složena, nebo rozložena. Pro její ovládání ji zatlačte dopředu, nebo dozadu.

Bouda může být zcela rozložena, pro zajištění ještě větší ochrany dítěte před sluncem. Odepněte zip 26 a vytáhněte boudu směrem dopředu.

Na boudě je umístěno okénko skrz které můžete vidět na dítě.

Nastavení rukojeti

viz. obrázky 27

Použití polstrování ramenních pásů a rozkrokového pásu

Polstrování ramenních popruhů a rozkrokového popruhu lze sundat z postroje.

Skládání kočárku

viz. obrázky 28 - 31

! Před skládáním vždy nejprve složte boudu.

1. Stlačte a držte tlačítko na vrchní straně sezení, poté vytáhněte popruh skládání směrem vzhůru. Kočárek se automaticky složí směrem dozadu. 29 - 1
2. Pojistka proti rozložení se automaticky zajistí, poté je kočárek zcela složen a zajištěn. 30
3. Kočárek po složení stojí. 31

Použití doplňků

Doplňky mohou být prodávány zvlášť, nebo nemusí být k dispozici vůbec.

Použití s autosedačkou Joie

viz. obrázky 32 - 38

Při používání kočárku s autosedačkou Gemm, i-Gemm 2, i-Snug, & i-Level se řiďte následujícími instrukcemi a obrázky

! Před používáním autosedačky na kočárku Joie se ujistěte, že zábová opěrka byla nastavena co nejvíce do lehu a že autosedačka byla pevně přikotvena ke konstrukci.

! Máte-li nějaké potíže při používání autosedačky, obraťte se na návod k obsluze autosedačky.

! Před skládáním kočárku vždy nejprve vyjměte autosedačku.

Sundání a nasazení látkových částí

viz. obrázky 39 - 50

1. Sejměte potah madla dle obrázku. 39
2. Odepněte zip, který je na zadní části boudy. 40
 - ! Nastavte zábovou opěrku do nejnižší pozice abyste byli schopni sundat látkové části.
3. Sejměte potah opěrky nohou. 41
4. Odepněte sponu na dolní straně sezení. 42
 - ! Vnitřní výztuhu vyjměte a pečlivě uschovejte. Znovu ji vložte do potahu při nasazování potahu na kočárek. 49 50

Pro nasazení látkových částí postupujte dle předchozích bodů v obráceném pořadí. 50 - 39

Použití s hlubokou korbou Joie

viz. obrázky 51 - 52

Při používání s hlubokou korbou se řiďte následujícími instrukcemi.

- ! Máte-li jakékoliv problémy při používání korby, řiďte se jejím vlastním návodem k použití.
- ! Při používání korby vždy používejte matraci.
- ! Nikdy neskládejte kočárek s nasazenou korbou.

Použití pláštěnky

Pro nasazení pláštěnky ji nejprve přetáhněte přes kočárek a připevněte ji pomocí osmi úchyťů na pláštěnce. 53

- ! Před používáním pláštěnky s autosedačkou se ujistěte, že zábová opěrka kočárku byla nastavena do nejnižší polohy a že autosedačka byla pevně uchycena na kočárek.
- ! Při používání pláštěnky prosím vždy kontrolujte její ventilaci.
- ! Pokud pláštěnku nepoužíváte, ujistěte se, že byla před složením očištěna a usušena.
- ! Nikdy neskládejte kočárek, je-li na něm nasazena pláštěnka
- ! Nepoužívejte pláštěnku na kočárek, je-li v něm dítě, za horkého počasí

Péče a údržba

viz. obrázky 54

- ! Pro čištění konstrukce kočárku používejte mýdlovou vodu. Nepoužívejte bělidlo ani čisticí prostředky.
- ! Pravidelně kontrolujte výrobek, zda některá z částí není povolena nebo poškozená.
- ! Přílišné vystavení teple nebo světlu může způsobit blednutí barev, nebo může poškodit některé části.
- ! Pokud dojde k namočení kočárku, odklopte boudu a nechte jej zcela vyschnout. Až poté jej můžete uskladnit.
- ! Pokud kola začnou skřípat, použijte olej (Např. WD40). Je důležité dostat olej do nápravy kočárku a do uchycení kol. 54
- ! Pokud kočárek používáte na pláži, nebo v jiném prашném/písčitém prostředí, vždy jej po návratu domů kompletně očištěte zejména v oblasti kloubů a koleček od všech nečistot a soli.

SK Víťajte v Joie™

Gratulujeme, práve ste sa stali súčasťou rodiny Joie! Sme nadšení, že sme sa stali časťou vášho života. Pri cestovaní s kočíkom Mytrax flex, používate vysoko kvalitný, plne certifikovaný kočík, schválený podľa Európskych štandardov EN 1888-2:2018. Tento výrobok je vhodný pre deti od narodenia do 22 kg alebo 4 rokov, podľa toho, čo nastane skôr. Prosím prečítajte si starostlivo tento manuál a postupujte presne podľa tu uvedených krokov, pre zaistenie komfortu a perfektného bezpečí pre vaše dieťa. Navštívte nás na www.joiebaby.com pre sťaženie návodov a pre ďalšie informácie k úžasným produktom Joie.

Dôležité - Pred použitím prečítajte pozorne tento návod a uschovajte ho pre budúcu potrebu.

Obsah

Obrázky	1-11
Upozornenie	111
Zostavení kočíku	113
Rozložení kočíku	113
Nasadení a vybratí predných kolies	113
Nasadení a vybratí zadných kolies	113
Nasadení a vybratí madla	113
Nasadení a sundání boudy	113
Nasadení a vybratí držáku na nápoje	113
Ovládanie kočíku	113
Nastavenie sklonu	113
Použitie spony	114
Použitie postroje	114
Nastavenie nožnej opierky	114
Použitie aretácie predných kolies	114
Použitie brzdy	115
Nastavenie rukoväti	115
Používanie striešky	115
Použitie polstrovaní pre postroj	115
Skladanie kočíku	115
Používanie doplnkov	115
Sňatie potáhu	116
Starostlivosť a údržba	116

Stav núdze

V prípade ohrozenia, alebo úrazu, je nutné poskytnúť vášmu dieťaťu okamžité ošetrenie a následnú lekársku pomoc.

Informácie o produkte

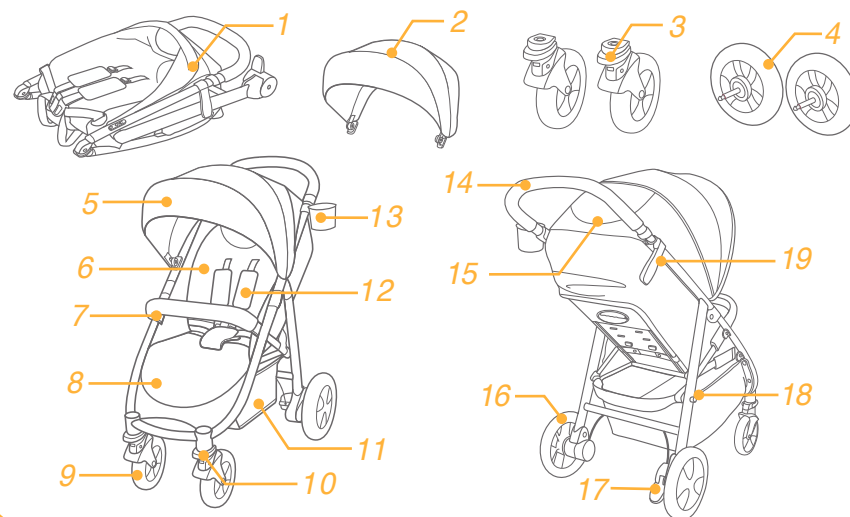
Pred zahájením používania tohto produktu si prosím najprv starostlivo preštudujte tento manuál. Ak máte nejaké doplňujúce dotazy, konzultujte je s predajcom. Niektoré funkcie nemusí byť dostupné v závislosti na modeli.

Výrobok: Kočík Mytrax flex
Vhodná pre: Tento výrobok je vhodný pre deti od narodenia do 22 kg alebo 4 rokov, podľa toho, čo nastane skôr.
Materiály: Kov, plasty, látky
Vyrobené: V Číne
Značka: Joie
Stránky: www.joiebaby.com
Výrobca: Allison GmbH

Zoznam častí

Pred zahájením používania tohto produktu sa uistite, že všetky súčasti výrobku sú dostupné. Niektoré súčasti môžu byť predávané zvlášť. Ak máte aké si doplňujúce dotazy, konzultujte je s predajcom. Pre montáž nie je požadované žiadne náradie.

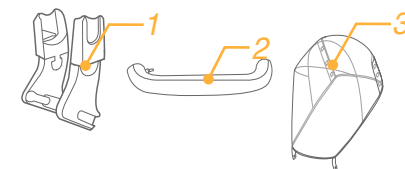
1 Konštrukcie kočíku	6 Sedenia	11 Košík	16 Zadné koleso
2 Strieška	7 Madlo	12 Ramenní pásy	17 Brzda
3 Predné koleso	8 Opierka nohou	13 Držiak nápojov	18 Uchytenie košíku
4 Zadné koleso	9 Predné koleso	14 Rukoväť	19 Poistka proti rozložení
5 Strieška	10 Aretácie	15 Okienko striešky	



Doplnky

(Nemusí byť súčasťou)

- 1 adaptér (u niektorých modelov)
- 2 poťah madla (u niektorých modelov)
- 3 pláštenka (u niektorých modelov)



Doplnky môžu byť predávané zvlášť alebo nemusí byť k dispozícii.

UPOZORNENIE

- ! Príslušenstva, ktoré nie sú schválená výrobcom, sa nesmú používať.
- ! Nikdy nenechávajte dieťa bez dozoru.
- ! Odstráňte plastový obal, v ktorom bol kočík zabalený, z dosahu detí, hrozí nebezpečenstvo udusení.
- ! Kočík je určený pre prevoz jedného dieťaťa do hmotnosti 22kg.
- ! Používajte vždy upevňovací systém.
- ! Pri nepriaznivom počasí /dážď, sneh/ vždy používajte originálnu pláštenku.
- ! Ak nie je kočík v pohybu, vždy jej zabrzdíte.
- ! Neponechávajte kočík odstavený v svahu, na ceste, alebo na nebezpečnom mieste.
- ! Pamätajte, že akékoľvek bremeno zavesené na rukoväti, vzadu na operadle, alebo na boku kočíka, ovplyvňuje stabilitu kočíka.
- ! Do košíku vkladajte iba drobné, ľahké predmety s maximálnou hmotnosťou 4,5 kg.
- ! Zaťaženie držiaku na nápoje je max. 0,5 kg.
- ! Tento výrobok nie je hračka. Nenechajte dieťa hrať sa s týmto výrobkom.
- ! Nejazdite s kočíkom po schodoch, eskalátoroch a zvláštnu pozornosť dávajte vo výťahu.
- ! Tento výrobok nie je vhodný na behanie, korčuľovanie.
- ! Pri opravách užívajte iba originálne výmenné časti.
- ! Nepoužívajte ani neparkujte výrobok v blízkosti otvoreného ohňa ani iných zdrojov tepla, ako sú napríklad radiátory.
- ! Pred použitím skontrolujte, či sú správne pripevnené upevňovacie zariadenia kočiarika, sedačky alebo autosedačky. Pred používaním sa uistite, že všetky zaistovacie zariadenia sú zaistené.
- ! Kočík nevystavujte nadmernému slnečnému žiaru a nesušte ho na priamom slnku. Môže dojsť ku zmene farby poťahovej látky.
- ! Pri rozopínaní a zapínaní sa uistite, že dieťa nie je v kočiariku, aby ste predišli prípadnému úrazu.
- ! Kočík vždy používajte iba v zhode s jeho určením.
- ! Vyhýbajte sa jazde v piesku. Piesok pôsobí ako brusivo a poškodí stredy kol.
- ! Kočík splňuje normu EN 1888-2:2018.
- ! Kočík prenášajte iba v nutných prípadoch uchopením za postrannú trúbku konštrukcie kočíku.
- ! Kočík nikdy neprenášajte za madlo alebo za rukoväť.
- ! Nedovoľte vášmu dieťaťu, aby sa s kočíkom hralo / liezlo na nej. Prevrátení kočíku na dieťa môže spôsobiť vážnu ujmu na zdraví.
- ! Predídte úrazu dieťaťa tým, že jej pri skladaní a rozkladaní kočíku pone-

cháte v bezpečnej vzdialenosti.

- ! Uistite sa, že Vaše dieťa nemá ruky tam, kde by sa mohli zaklesnúť alebo byť priškripané, napr. keď sa montujú / demontujú také diely ako je strieška, madlo alebo sa prevádza iná manipulácia.
- ! Nenechávajte dieťa stať na kočíku.
- ! Neumiestňujte kolem krku dieťaťa žiadne povrázky k uchytieniu napríklad hračiek, môže dojsť k uškrtení dieťaťa.
- ! Nikdy nedvíhajte kočík s dieťaťom.
- ! Nepoužívajte košík k preprave dieťaťa.
- ! Pri ukladaní / dvíhaní dieťaťa (detí) do / z kočíku by tento kočík mal byť zabrzdený parkovacou brzdou.
- ! Kočík môže byť používaný iba pri rýchlosti chôdze, nie je vhodný pre Joging.
- ! Nikdy nepoužívajte výrobok, ak je jeho časť opotrebená alebo poškodená alebo chýba.
- ! Kočík nenahradzuje korbu ani postieľku. V prípade potreby dlhšieho spánku by dieťa malo byť umiestnené do korby, alebo postieľky.
- ! Pri použití kočíku od narodenia dieťaťa napolohujte chrbtovou opierku čo najviac do ľahu.
- ! Pri parkovaní kočíku vždy používajte brzdou.
- ! Návod na použitie uschovajte pre budúcu potrebu. Nedodržanie výstražných pokynov a pokynov na použitie výrobku môže spôsobiť závažné poranenia, či dokonca smrť.
- ! Pri nastavovaní kočíka vždy skontrolujte, či telo dieťaťa nezasahuje do pohyblivých častí.
- ! Kočík nikdy nenechávajte na ceste, vo svahu a na inak nebezpečných miestach.
- ! Pri skladaní a rozkladaní kočíka buďte opatrní, aby nedošlo k poraneniu prstov.
- ! Nikdy nepoužívajte výrobok, ak je jeho časť opotrebená alebo poškodená.
- ! Kolieska môžu zanechať čierne „šmuhy“ na rôznych povrchoch, napríklad na parketách, laminátu, alebo na linoleu, atď.
- ! Male časti držte mimo dosahu detí, aby nedošlo k ich vdechnutiu.
- ! Tento výrobok je vhodný pre deti od narodenia do 22 kg alebo 4 rokov, podľa toho, čo nastane skôr.

Zostavení kočíku

Pred zostavovaním kočíku si najprv starostlivo prečítajte inštrukcie v tomto manuáli.

Rozloženie kočíku

vid. obrázky 1 - 2

Stlačte poistku proti rozložení 1, potom dvihnite rukoväť smerom hore 2, až kým neuslyšíte charakteristické kliknutie potvrdzujúci správne rozloženie konštrukcie.

! Uistite sa, či je kočík úplne rozložený a zaistený pred jeho používaním.

Nasadení a vybratí predných kolies

vid. obrázky 3 - 4

Nasadení a vybratí zadných kolies

vid. obrázky 5 - 6

Nasadení a vybratí madla

vid. obrázky 7 - 8

Nasadení striešky

vid. obrázky 9 - 10

Nasadení a vybratí držiaku na nápoje

vid. obrázky 11 - 12

Úplne rozložený kočík je ukázaný na obrázku 13.

Ovládanie kočíku

Nastavení opierky chrbta

vid. obrázky 14 - 15

Chrbtovú opierku môžete nastaviť do 4 polôh

Nastavení najnižšieho stupňa:

Pre nastavení najnižšieho stupňa stlačte tlačidlo na zadnej strane chrbtovej opierky a vyberte chrbtovú opierku smerom dole. 14

Dvíhanie chrbtovej opierky:

Pre dvíhnutie chrbtovej opierky ju proste dvihnite smerom hore. 15

! Uistite sa, že je chrbtová opierka správne nastavená pre používanie.

Použitie spony

vid. obrázky 16 - 17

Rozopnutí spony

Stlačte stredové tlačidlo na sponě, pre jej rozopnutí. 16

Zapnutí spony:

Nastavte sponu bočného popruhu a ramenného popruhu 17 - 1 a zapnite je do spony. 17 - 2 Správne zaistenie potvrdí charakteristické kliknutie. 17 - 3

! Pre zabránenie riziku vážneho zranení vášho dieťaťa, vždy používajte postroj.

! Uistite sa, že je vaše dieťa bezpečne zaistené. Pásy by mali byť utiahnuté tak, aby priestor medzi nimi a dieťaťom odpovedal hrúbke jednej ruky.

! Nikdy nekrižte pásy, môžete tým spôsobiť zbytočný tlak na krk dieťaťa.

Použití ramenných a bočných pásov

vid. obrázky 18 - 21

! Pre zabránenie pádu vášho dieťaťa z kočíku, vždy po usadení do kočíku skontrolujte, či sú pásy nastavené v správnej výške a dĺžke.

18 - 1 prvok ramenného popruhu A

18 - 2 prvok ramenného popruhu B

18 - 3 prvok nastavení dĺžky

Pre väčší deti používajte prvok ramenného popruhu A v najvyššom slotu pre pásy. Pre menší deti používajte prvok ramenného popruhu B v najnižšom slotu pre pásy.

Pre nastavení výšky ramenného popruhu otočte jeho plastový prvok tak, aby menší strana smerovala proti otvoru v chrbtovej opierke. Potom ho pretiahnite otvorom. 19 Pásy prevlieknite otvorom, ktorý je čo najbližšie k ramienku dieťaťa. 20

Použite prvok nastavení dĺžky pásu pre upravení dĺžky pásov. 21 - 1

Držte tlačidlo 21 - 2 a zároveň natiahnite pás na správnu dĺžku. 21 - 3

Nastavení opierky nohou

vid. obrázky 22

Opierka nohou má 2 pozície.

Pre nastavení horní pozície, dvihnite opierku nohy smerom hore. Zvuk kliknutia potvrdí správne zaistenie opierky.

Pre nastavení dolní pozície, stlačte tlačidlá na oboch stranách opierky nohou 22 - 1 a otočte opierku nohou smerom dole. 22 - 2

Použití aretácie predných kolies

vid. obrázky 23

Pre zablokovanie smeru jazdy dvihnite tlačidlá aretácie smerom hore. 23

Tip

Na nerovnom terénu odporúčame používať zaaretovaná kola.

Použití brzdy

vid. obrázky 24 - 25

Pre zabrzdění, zošliapnite brzdu smerom dole. 24

Pre odbrzdění zdvihnite brzdu smerom hore. 25

Tip

Ak kočík zastavíte, vždy ho ihneď zabrzdíte.

Použití striešky

vid. obrázky 26

Strieška môže byť zložená, alebo rozložená. Pre jej ovládanie ju zatlačte v pred, alebo vzad.

Strieška môže byť úplne rozložená, pre zaistenie ešte väčší ochrany dieťaťa pred slnkom. Odopnite boční zipsy 26 a vyťahnite striešku smerom v pred.

Na strieške je umiestnené okienko skrz ktoré môže byť vidno na dieťa.

Nastavení rukoväti

vid. obrázky 27

Použitie postrojov ramenných a medzi nožného pásu

Polstrovanie ramenných popruhov a medzi nožného popruhu môžete vybrať z postroje. Pre ich opätovné nasadenie postupujte v obrátenom poradí.

Skladanie kočíku

vid. obrázky 28 - 31

! Pred skladaním vždy najprv zložte striešku.

1. Stlačte a držte tlačidlo na vrchnej strane sedenie. 29 - 1 a vyťahnite skladací popruh smerom hore, kočík sa automaticky zloží smerom nazad
2. Poistka proti rozloženiu sa automaticky zaistí, potom je kočík úplne zložený a zaistený. 30
3. Kočík po zložení stojí. 31

Použití doplnkov

Doplňky môžu byť predávané zvlášť, alebo nemusí byť k dispozícii, v závislosti na regióne.

Použitie s autosedačkou Joie

vid. obrázky 32 - 38

Pri používaní kočíku s autosedačkou Gemm, i-Gemm 2, i-Snug a i-Level sa riadte nasledujúcimi inštrukciami.

! Pred používaním autosedačky na kočíku Joie sa uistite, že chrbtová opierka bola nastavená čo najviac do ľahu a že autosedačka bola pevne prichytená ku konštrukcii.

! Ak máte nejaké problémy pri používaní autosedačky, obráťte sa na návod k obsluhu autosedačky.

! Pred skladaním kočíku vždy najprv vyberte autosedačku.

Sňatie a nasadenie látkových častí

vid. obrázky 39 - 50

1. Vyberte poťah madla podľa obrázku. 39
2. Odopnite zips, ktorý je na zadní časti striešky. 40
 - ! Nastavte chrbtovú opierku do najnižšej pozície aby ste boli schopní sňať látkové časti.
3. Vyberte poťah opierky nohou. 41
4. Odopnite sponu na dolní strane sedení. 42
 - ! Vnútornú výstuhu vyberte a starostlivo uschovajte. Znovu ju vložte do poťahu pri nasadzovaní poťahu na kočík. 49 50

Pre nasadenie látkových častí postupujte podľa predchádzajúcich bodov v obrátenom poradí. 50 - 39

Použitie s Joie hlbokou korbou

vid. obrázky 51 - 52

Pri používaní s hlbokou korbou sa riadte nasledujúcimi inštrukciami.

- ! Ak máte akékoľvek problémy pri používaní korby, riadte sa jej vlastným návodom k použitiu.
- ! Pri používaní korby vždy používajte matrac.
- ! Nikdy neskladajte kočík s nasadenou korbou.

Použitie pláštenky

Pre nasadenie pláštenky ju najprv pretiahnite cez kočík a pripevnite ju pomocí ôsmi úchytov na pláštenke. 53

- ! Pred používaním pláštenky sa uistite, že chrbtová opierka bola nastavená do najnižšej polohy a že autosedačka bola pevne uchytená na kočík.
- ! Pri používaní pláštenky prosím vždy kontrolujte jej ventiláciu.
- ! Ak pláštenku nepoužívate, uistite sa, že bola pred zložením očistená a usušená.
- ! Nikdy neskladajte kočík, ak je na ňom nasadená pláštenka.
- ! Nepoužívajte pláštenku na kočík, ak je v ňom dieťa a je horúce počasie.

Starostlivosť a údržba

vid. obrázky 54

- ! Pre čistenie konštrukcie kočíku používajte domáce mydlo a teplou vodu. Nepoužívajte bielicidlo ani čistiaci prostriedky.
- ! Pravidelne kontrolujte výrobok, či niektorá z častí nie je povolená alebo poškodená.
- ! Prílišné vystavenie teplu alebo svetlu môže spôsobiť blednutie farieb, alebo môže poškodiť niektoré časti.
- ! Ak dôjde k namočeniu kočíku, odklopte striešku a nechte ho úplne vyschnúť. Až potom ho môžete uskladniť.
- ! Ak kola začnú škripať, použite ľahký olej (Např. WD40). Je dôležité dostať olej do nápravy kočíku a do uchytení kôl. 54
- ! Ak kočík používate na pláži, alebo v inom prašnom/piesčitom prostredí, vždy ho po návratu domou kompletne očistite najmä v oblasti kĺbov mechanizmu a koliesok od všetkých nečistôt a soli.

AR مرحباً بك في عالم Joie™

تهانينا لانضمامك إلى عائلة Joie! إننا في غاية السعادة لاشتراكنا في رحلتك مع طفلك الصغير. أثناء القيادة ضمن نظام Mytrax™ flex من Joie أقصى درجات السلامة لمرحلة أطفال عالية الجودة وأمنة بالكامل، كما أنه مطابق لمعايير السلامة الأوروبية رقم EN 1888-2:2018، ويرجى العلم بأنه من الممكن استخدام المنتج مع الأطفال الذين يقل وزنهم عن 22 كجم. يرجى قراءة التعليمات الواردة في هذا الدليل بعناية والتباعد كل خطوة فيه لضمان قيادة مريحة وتوقير أفضل حماية لطفلك.

هام - يرجى الاحتفاظ بهذه التعليمات للرجوع إليها مستقبلاً.

زوروا موقعنا الإلكتروني joiebaby.com لتحميل أدلة الاستخدام ومشاهدة منتجات Joie المشوقة!

لمعلومات عن الضمان، يُرجى زيارة موقع الويب الخاص بنا على joiebaby.com

المحتويات

للعشال

تحذير

تركيب عربة الأطفال

فتح العربة

تركيب وفك العجلات الأمامية

تركيب وفك العجلات الخلفية

تركيب وفك غطاء الذراع

تركيب المظلة

جمع وتفكيك حامل الأكواب

تشغيل العربة

ضبط مسند الظهر

استخدام إيزيم الحزام

استخدام أحزمة الكتف والخصر

ضبط مسند الساق

استخدام القفل الذوار الأمامي

استخدام المكابح

استخدام المظلة

ضبط المقبض

استخدام غطاء حزام الكتف وغطاء الحزام المفروق للساقين

طّي العربة

استخدام الملحقات

فك وتركيب الأجزاء اللينة

التنظيف والصيانة

الطوارئ

في حالات الطوارئ أو الحوادث، يُرجى العناية بالطفل بإجراء الإسعافات الأولية وتقديم العلاج الطبي فوراً.

معلومات المنتج

اقرأ كل التعليمات الواردة في هذا الدليل قبل استخدام هذا المنتج. فإن كان لديك أية استفسارات يُرجى الرجوع إلى الموزع للاستشارة. قد تختلف بعض مزايا المنتج وفقاً للطراز.

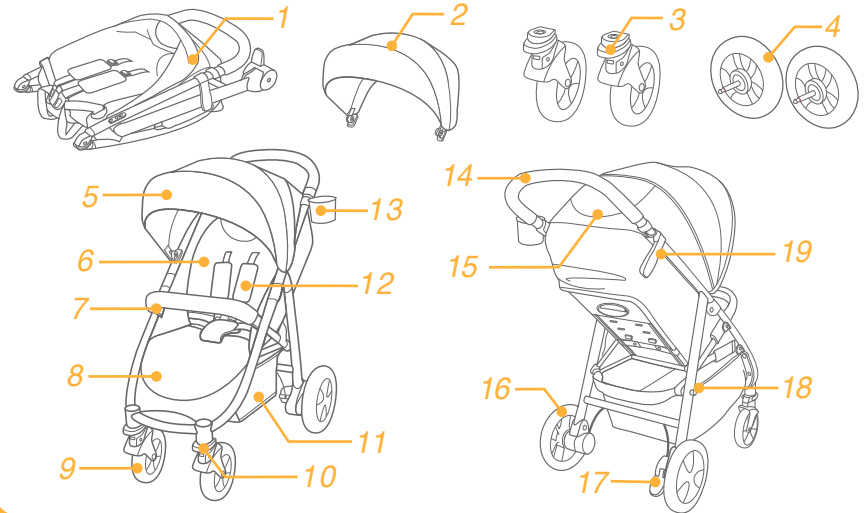
عربة الأطفال Mytrax flex
هذا المنتج مناسب للاستخدام مع أطفال حتى 22 كجم أو 4 سنوات، أيهما يأتي أولاً.
البلاستيك، المعادن، الأقمشة
في انتظار الحصول على براءة اختراع
الصين
Joie
www.joiebaby.com
Allison GmbH

المنتج
مناسبة للاستخدام مع
الخامات
براءة الاختراع رقم:
صُنعت في
اسم العلامة التجارية
الموقع الإلكتروني
الجهة المصنعة

قائمة الأجزاء

التأكد من توافر كل الأجزاء قبل التركيب. في حالة فقدان أحد مكونات العربة، يُرجى الاتصال بالموزع المحلي. لا داع لاستخدام أية أدوات لتركيب كيب المقعد.

- | | | |
|------------------|-----------------|----------------|
| 13 حامل الأكواب | 7 ذراع | 1 إطار العربة |
| 14 المقبض | 8 دعامة القدمين | 2 مظلة |
| 15 نافذة المظلة | 9 عجلة أمامية | 3 عجلة أمامية |
| 16 عجلة خلفية | 10 قفل دوار | 4 عجلة خلفية |
| 17 ذراع المكبح | 11 سلة التخزين | 5 مظلة |
| 18 فتحة التخزين | 12 حزام الكتف | 6 وسادة المقعد |
| 19 مزلاج التخزين | | |



الملحقات

(قد لا تكون مرفقة)

- 1 المهابى (متوفر في بعض الموديلات)
- 2 غطاء الذراع (مخصص لطرازات معينة)
- 3 غطاء المطر (مخصص لطرازات معينة)

قد تباع الملحقات بمفردها أو قد تكون غير متاحة حسب المنطقة.

تحذير

- ! تحذير: احرص دائماً على استخدام نظام تقييد حركة الطفل. يجب استخدام أحزمة الأمان ونظام تقييد الحركة استخداماً صحيحاً.
- ! "تحذير" تأكد من تأمين الأقفال كافة قبل الاستخدام.
- ! "تحذير" لا تدع الأطفال يعيثون بهذا المنتج.
- ! تحذير: تحقق من تعشيق أجهزة تثبيت نظام تقييد حركة الطفل بشكل صحيح قبل الاستخدام.
- ! يجب قيام شخص بالغ بتركيب الكرسي.
- ! استخدم عربة الأطفال هذه مع الأطفال الذين يقل وزنهم عن 22 كجم. حيث إن استخدام العربة لحمل طفل زائد الوزن سيؤدي إلى تلفها.
- ! لتفادي الحالات الخطرة أو غير المستقرة، لا تضع عناصر يزيد وزنها على 4.5 كجم في سلة التخزين.
- ! الحد الأقصى للوزن الموصى به في حامل الأكواب هو رطل واحد (0.5 كجم).
- ! يحظر بنائاً ترك طفلك دون مراقبة. لذا احرص دائماً على مراقبة الطفل عند وضعه في العربة.
- ! استخدم العربة لحمل طفل واحد فقط في كل مرة. ويحظر وضع حقائب اليد أو حقائب التسوق أو الطرود أو الإكسسوارات على المقبض أو الغطاء.
- ! يمنع استخدام الملحقات غير المعتمدة من الجهة المصنعة. يمكن استخدام فقط قطع الغيار المعتمدة أو الموصى بها من قبل المصنّع.
- ! قد يتسبب الحمل الزائد أو محاولة طيّ العربة بطريقة غير صحيحة أو استخدام قطع غيار من إنتاج جهات تصنيع أخرى في تلف العربة أو كسرها أو جعلها غير آمنة للاستخدام. يُرجى الاطلاع على دليل التعليمات بعناية.
- ! يُرجى قراءة كل التعليمات الواردة في هذا الدليل قبل استخدام المنتج. كما يرجى الاحتفاظ بهذا الدليل لاستخدامه في المستقبل. قد يؤدي عدم مراعاة هذه التحذيرات واتباع التعليمات إلى وقوع إصابات بالغة أو الوفاة.
- ! احرص على استخدام حزام الأمان دائماً لتفادي وقوع الإصابات البالغة الناتجة عن الوقوع أو الانزلاق.
- ! تأكد من ابتعاد جسد طفلك عن الأجزاء المتحركة عند ضبط العربة.
- ! تأكد من أن العربة مفتوحة تماماً أو مطوية تماماً قبل اقتراب الطفل منها.
- ! في حالة عدم استخدام الحزام قد ينزلق الطفل إلى فتحات الساق ومن ثم يتسبب ذلك في اختناقه.
- ! يُحظر استخدام عربة الأطفال على درج أو سلالم كهربائية.
- ! احرص على إبعاد العربة عن مصادر الحرارة المرتفعة أو السوائل أو الأجهزة الإلكترونية.
- ! يُحظر وقوف الطفل على العربة أو جلوسه بداخلها عندما تكون رأسه متجه ناحية المقدمة.
- ! يُحظر وضع عربة الأطفال على الطرق أو المنحدرات أو المناطق الخطرة.
- ! لتفادي الاختناق، تجنب وضع أي أجسام مزودة بسلاسل حول رقبة الطفل أو قم بفصل السلاسل عن المنتج أو ربطها في الألعاب.
- ! أي حمولة مركبة على المقبض أو على الجزء الخلفي من مسند الظهر أو في جانبي العربة يؤثر على استقرار العربة.

! تجنب رفع العربة إذا كان الطفل بداخلها.

! تجنب وضع الطفل داخل سلة التخزين.

! لتفادي ميل العربة، احرص على عدم تسلق الطفل لها. ارفع طفلك داخل العربة أو خارجها دائماً.

! لتجنب انحسار الأصابع، احرص على طيّ العربة أو بسطها بعناية.

! تأكد من إبعاد طفلك عند بسط العربة أو طيها لتجنب إلحاق أي ضرر به.

! لضمان سلامة طفلك، يُرجى التأكد من تركيب كل المكونات وإحكام ربطها جيداً قبل استخدام العربة.

! لتجنب اختناق طفلك، تأكد من إبعاده عن الغطاء.

! احرص على تأمين المكابح عند وقوف العربة.

! احرص على عدم استخدام العربة في حال تعرضها للتلف أو الكسر.

! يجب استخدام العربة بسرعة المشي فقط. هذا المنتج غير مُصمم للاستخدام أثناء الركض.

! لتجنب وضع سوائل ساخنة في حامل الأكواب لتفادي الإصابة بحروق.

! لتجنب الاختناق، أزل الكيس البلاستيكي ومواد التغليف قبل استخدام هذا المنتج. واحتفظ بهما بعيداً عن متناول الأطفال والرضع.

! هذا المنتج غير مناسب للاستخدام أثناء الجري أو التزلق.

! صُممت عربة الأطفال لاستخدامها منذ لحظة الولادة، ويفضل استخدام وضعية الانحناء المُصممة خصيصاً للأطفال حديثي الولادة.

! يجب تأمين المكابح عند وضع الطفل في العربة وإخراجه منها.

! لا تُعتبر هذه العربة بديلاً عن سرير الطفل أو مهده عند استخدامها مع أنظمة تقييد حركة الطفل المقترنة بهيكل السيارة. وفي حالة رغبة الطفل في النوم، يجب وضعه في حقيبة حمل أو فراش أو سرير ملائم.

! لا تُستخدم حقيبة حمل الطفل إلا مع الأطفال غير القادرين على الجلوس بدون دُعامة وكذلك غير القادرين على دفع أنفسهم لأعلى. الحد الأقصى لوزن الطفل: 9 كجم.

! تجنب وضع أي مفارش أو حشوات غير المثبتة بحقيبة حمل الطفل.

! هذا المنتج مناسب للاستخدام مع أطفال حتى 22 كجم أو 4 سنوات، أيهما يأتي أولاً.

استخدام إبريزم الحزام

راجع الصور من 16 - 17

تحرير الإبريزم

اضغط على الزر الموجود بمنطقة الوسط لتحرير الإبريزم. 16

غلق الإبريزم

طابق إبريزم حزام الوسط وإبريزم حزام الكتف 1 - 17، واضغط على الإبريزم الأوسط. 2 - 17، عند سماع صوت "طقطقة" فهذا يشير إلى غلق الإبريزم بالكامل. 3 - 17

! لتفادي وقوع إصابات بالغة ناجمة من الوقوع أو الانزلاق، احرص دائماً على تأمين طفلك باستخدام الحزام. ! تأكد من تثبيت طفلك بإحكام. ! تأكد من أن المسافة بين الطفل وحزام الكتف تساوي سُمك يد واحدة تقريباً. ! تجنب ربط أحزمة الكتف بالتقاطع؛ حيث سيؤدي هذا إلى الضغط على رقبة الطفل.

استخدام أحزمة الكتف والخصر

راجع الصور من 18 - 21

! لحماية طفلك من السقوط، تحقق من ملاءمة طول وارتفاع أحزمة الكتف والخصر بعد وضع الطفل على المقعد.

1 - 18 مثبت حزام الكتف من النوع A

2 - 18 مثبت حزام الكتف من النوع B

3 - 18 ضابطة الانزلاق

A والفتحات العلوية للحزام مع الأطفال ذوي الحجم الكبير. استخدم مثبت حزام الكتف من النوع B والفتحات السفلية للحزام مع الأطفال ذوي الحجم الصغير. استخدم مثبت حزام الكتف من النوع

لضبط وضع مثبت حزام الكتف، أدر المثبت ليكون في نفس مستوى الجانب المتجه للأمام. أدخل الحزام عبر فتحة حزام الكتف من الخلف إلى الأمام. وأعد إدخاله من خلال الفتحة الأقرب لمستوى ارتفاع كتف الطفل، كما في الصورة 19 - 20

استخدم ضابطة الانزلاق لتغيير طول الحزام. 1 - 21

اضغط على الزر 2 - 21، أثناء سحب حزام الخصر للوصول إلى الطول المناسب. 3 - 21

ضبط مسند الساق

راجع الصور من 22

توجد وضعيتان لمسند الساق.

لرفع مسند الساق، ارفعه لأعلى. عند سماع صوت "طقطقة" فهذا يشير إلى غلق المسند بالكامل.

لخفض مسند القدمين، قم بالضغط على أزرار الضبط الموجودة على كلا جانبيه 1 - 22، ثم قم بتدوير المسند إلى أسفل. 2 - 22

استخدام القفل الدوار الأمامي

راجع الصور من 23

اسحب الأقفال الأمامية الدوارة لأعلى للحفاظ على اتجاه الحركة. 23

يوصى

باستخدام الأقفال الدوارة مع الأسطح غير المستوية.

استخدام المكابح

راجع الصور من 24 - 25

لإيقاف حركة العجلات، اضغط على لسان المكبح لأسفل. 24

لتحرير حركة العجلات، ما عليك سوى رفع لسان المكبح. 25

يوصى

احرص دائماً على تأمين المكابح عند وقوف العربة.

تركيب عربة الأطفال

يُرجى قراءة كل التعليمات الواردة في هذا الدليل قبل تركيب المنتج واستخدامه.

فتح العربة

راجع الصور من 1 - 2

فصل مزلاج التخزين عن حامل التخزين، ثم رفع المقبض لأعلى، حتى يصدر عنه صوت نقر يدل على فتح العربة بالكامل.

! تحقق من غلق مزلاج العربة بالكامل قبل المتابعة.

تركيب وفك العجلات الأمامية

راجع الصور من 3 - 4

تركيب وفك العجلات الخلفية

راجع الصور من 5 - 6

تركيب وفك غطاء الذراع

راجع الصور من 7 - 8

تركيب المظلة

راجع الصور من 9 - 10

جمع و تفكيك حامل الأكواب

راجع الصور من 11 - 12

تعليمات تركيب العربة بالكامل موضحة في الصورة 13

تشغيل العربة

ضبط مسند الظهر

راجع الصور من 14 - 15

صُمم مسند الظهر بأربع زوايا إمالة.

إمالة مسند الظهر

لإمالة مسند الظهر إلى الخلف، اضغط على مقبض الإنحناء الموجود خلف المقعد، واسحب مسند الظهر لأسفل. 14

رفع مسند الظهر

لرفع مسند الظهر، اسحبه لأعلى. 15

! تأكد من أن وضع الإنحناء صالح للاستخدام

فك وتركيب الأجزاء اللينة

راجع الصور من 39 - 50

1. إزالة غطاء الذراع الموضح 39

2. فتح السوستة الموجودة في اللوحة الخلفية للمظلة. 40

! قم بضبط مسند الظهر على أدنى وضع للراحة لإزالة الأجزاء اللينة.

3. قم بإزالة الغطاء الداعم للسانق. 41

4. قم بفتح الإبزيم الموجود أسفل المقعد. 42

! يرجى تثبيت لوحة الدعم بعناية، ويجب تركيبها عند تركيب الأجزاء اللينة. 49 50

إعادة تركيب الأجزاء اللينة من المقعد، اتبع الخطوات المذكورة بأعلى بترتيب عكسي 50 - 39

الاستخدام مع حقيبة حمل الطفل التي تنتجها Joie

أنظر الصور 52 - 51

عند التجوال باستخدام حقيبة حمل الطفل من طراز Joie، يرجى اتباع التعليمات التالية.

! يُرجى الرجوع إلى دليل التعليمات الخاص بحقيبة حمل الأطفال، عند مواجهة أية مشكلة أثناء استخدامها.

! استخدم المرئية باستمرار عند استعمال حقيبة حمل الطفل.

! يرجى عدم طي العربة عند تركيب حقيبة حمل الطفل.

استخدام غطاء المطر

أنظر الصور 53

لتجميع غطاء المطر ضعه فوق العربة ثم ثبت 8 أزواج من مثبتات الخطاف والحلقة على غطاء المطر 53 قبل استخدام غطاء المطر تأكد من أن مسند الظهر قد تم ضبطه في الوضع السفلي ومقعد الطفل الخاص بالسيارة قد تم تثبيته.

! عند استخدام غطاء المطر تأكد دائماً من توافر التهوية.

! في حالة عدم الاستخدام تأكد أن غطاء المطر قد تم تنظيفه وتجفيفه قبل تطبيقه.

! تجنب طي العربة بعد تجميع غطاء المطر.

! لا تضع الطفل في العربة مع تجميعها بغطاء المطر في الطقس الساخن.

التنظيف والصيانة

راجع الصور من 54

! يمكن غسل وسادة المقعد القابلة للإزالة بالماء البارد ثم تركها لتجف. يحظر استخدام المبيضات. يُرجى الرجوع إلى ملصق العناية للحصول على تعليمات حول تنظيف قطع قماش العربة.

! يمكن غسل الأجزاء اللينة القابلة للإزالة في الغسالة. ويحظر استخدام المبيضات. تجنب عصر غطاء المقعد والبطانة الداخلية لتجفيفهما بقوة مفرطة.

فقد يؤدي ذلك إلى ترك تجاعيد في غطاء المقعد والبطانة الداخلية.

! لتنظيف هيكل العربة، استخدم الصابون المنزلي والماء الدافئ فقط. تجنب استخدام المبيضات أو المنظفات القوية. امسح الأجزاء البلاستيكية ونظفها بـ صور

ة دورية باستخدام قطعة قماش مبللة. قم بتجفيف الأجزاء المعدنية دائماً لتجنب تكوين الصدأ، في حالة تعرض العربة للماء.

! قد يتسبب التعرض المفرط لأشعة الشمس أو الحرارة في تلف أجزاء العربة أو تشويبهها.

! في حالة بلل عربة الأطفال، افتح الغطاء واتركها لتجف جيداً قبل تخزينها.

! في حال سماع صوت صرير من العجلات، استخدم زيتاً خفيفاً (مثل بخاخ السيليكون أو زيت منع الصدأ أو بخاخ التلميع المنزلي أو زيت ماكينة الخياطة).

ويوصى بوضع الزيت داخل تركيبات العجلات والمحور. 54

! عند استخدام عربة الأطفال على الشاطئ أو على أي بيئة رملية/ملحية بالغبار، احرص على تنظيف تركيبات العجل والمعدات من الرمال والملح جيداً بعد الاستخدام.

استخدام المظلة

راجع الصور من 26

يمكن فتح المظلة أو طيها، قم بسحبها نحو الأمام أو الخلف.

يمكن فتح الغطاء تماماً لحماية طفلك من أشعة الشمس، حيث إن كل ما عليك فعله هو فك السوستة 26، ثم اسحب الغطاء في الاتجاه الأمامي.

هناك نافذة على المظلة، يمكنك من خلالها مشاهدة طفلك.

ضبط المقبض

راجع الصور من 27

استخدام غطاء حسام الكتف وغطاء الحزام المفرق للسائقين

يمكن فصل غطاء حزام الكتف أو غطاء مفرق السائقين من النسيج. لتركيب غطاء حزام الكتف و الغطاء المفرق للسائقين بخطوات عكسية.

طيّ العربة

راجع الصور من 28 - 31

! يرجى طيّ الغطاء قبل طيّ العربة.

1. اسحب أشرطة حزام الطي لأعلى، وسيتم طي الإطار تلقائياً إلى الخلف. 1 - 29

2. وهنا سيتعلق مزلاج التخزين بصورة أوتوماتيكية بمزلاج التثبيت، ثم تُطوى العربة بالكامل ويُحكم إغلاقها. 30

3. يمكن إيقاف العربة وهي مطوية. 31

استخدام الملحقات

قد تباع الملحقات بشكل مفرد أو قد لا تكون متاحة وفقاً للمنطقة.

الاستخدام مع نظام تقييد حركة الطفل الرضيع

راجع الصور من 32 - 38

عند الاستخدام مع نظام Gemm, IGemm 2, i-Snug & iLevel لتقييد حركة الطفل من Joie، يُرجى اتباع التعليمات التالية:

! تأكد من ضبط نظام تقييد حركة الطفل على الوضع السفلي وتثبيت نظام تقييد حركة الطفل، وذلك قبل استخدام الغطاء.

! يُرجى الرجوع إلى دليل التعليمات الخاص بنظام تقييد حركة الطفل، عند مواجهة أية مشكلة أثناء استخدامها.

! برجاء عدم طي العربة في الوقت الذي لا يزال فيه نظام تقييد حركة الطفل مركباً.

CH 謝謝您使用本產品

祝賀您加入巧兒宜大家庭! 您剛買了一台符合台灣安全標準 CNS 12940-2013 和歐洲安全標準 EN 1888-2:2018 的高品質的豪華型手推車。這台手推車適用於重量 22 公斤以下的寶寶。台灣區域使用請依照 CNS 標準規範。

請仔細閱讀本說明書並依照指示操作，這樣才能保障並提供您的寶寶一個安全又舒適的行程。

重要 - 請保留好說明書以便日後參考。

如需要了解更多信息，請您訪問 joiebaby.com 網站下載說明書或查看更多令人激動的 Joie 產品!

目錄

參照圖示	1-11
緊急情況處理	126
產品資訊	127
產品組件及各部件名稱	128
警告	129
產品組裝	132
打開手推車	132
組裝&拆卸前輪	132
組裝&拆卸後輪	132
組裝&拆卸扶手	133
組裝遮陽篷	133
組裝&拆卸置物杯	133

產品操作	133
調整背靠角度	133
使用安全扣	134
使用肩帶和腰帶	134
調節小腿靠支撐板	135
前輪定向	135
使用剎車踏板	135
使用遮陽篷	136
調整車手	136
使用肩帶護片和胯帶護片	136
收合手推車	136
使用配件	137
使用汽車椅	137
拆卸&組裝座布	137
使用睡箱	138
使用雨篷	138
保養常識	139

緊急情況處理

遇緊急事件或事故時，需迅速急救或送醫治療照顧您的寶寶是非常重要的。

產品資訊

Allison GmbH,
Adam-Opel-Straße 21 67227 Frankenthal
www.joiebaby.com

產品名稱 豪華型手推車
產品型號 S1509
適用範圍 新生兒-22公斤(0-48個月)的寶寶
主要材質 塑膠、合金、布
淨重 11.85公斤
產品尺寸 900mmx595mmx1010mm
製造日期 詳見產品上貼紙日期(年/月/日)
專利號碼 專利申請中
產地 中國

委製商 巧兒宜國際股份有限公司
(進口商)
地址 台北市內湖區瑞光路431號2樓
電話 02-27973000
統一編號 52603333

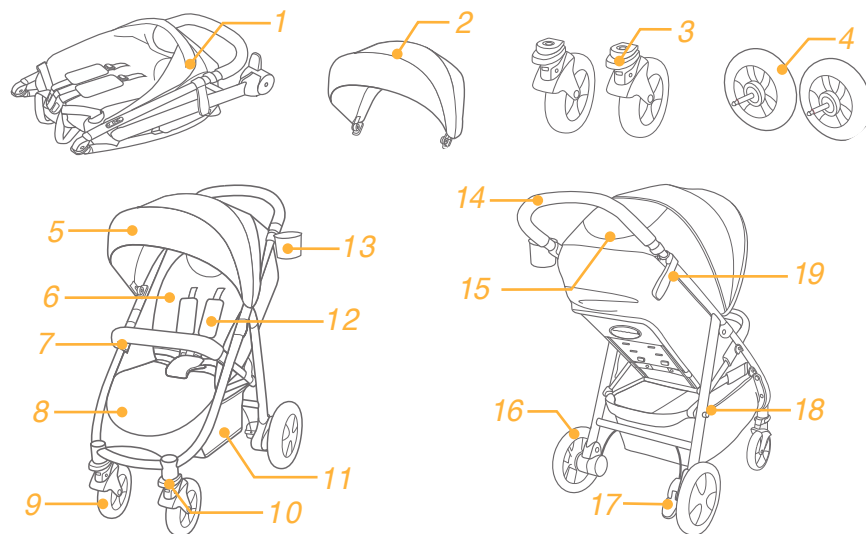
代理商 奇哥股份有限公司 Chickabiddy Co., Ltd
地址 台北市南京東路四段186號5樓
服務專線 0800-001-256 / 02-25781188
統一編號 04222671
網址 www.chick.com.tw

使用本產品前請先閱讀說明書全文，如果您對於使用本產品還有任何疑問，請撥服務專線 0800-001-256 / 02-25781188

產品組件及各部件名稱

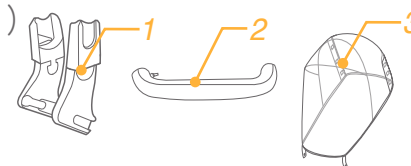
組裝前請確認所有部件已經齊全，如有遺漏，請與代理商聯繫。本產品無需工具進行組裝。

- | | | |
|-------|-----------|---------|
| 1 主體 | 8 小腿靠 | 15 天窗 |
| 2 遮陽篷 | 9 前輪 | 16 後輪 |
| 3 前輪 | 10 前輪定向拉板 | 17 剎車踏板 |
| 4 後輪 | 11 置物籃 | 18 收合栓 |
| 5 遮陽篷 | 12 肩帶 | 19 收合鉤 |
| 6 座墊 | 13 置物杯 | |
| 7 扶手 | 14 車手 | |



配件 (可能不包含)

1. 汽車椅卡座 (僅部份型號含)
2. 扶手布套 (僅部份型號含)
3. 雨篷 (僅部份型號含)



因產品型號的不同，並非所有手推車均附以上配件。

警告

- ! 警告：總是使用束縛系統，安全帶或束縛系統必須正確的扣合及使用。
- ! 警告：使用前，請確保所有鎖定裝置都已處於鎖定狀態。
- ! 警告：請勿允許您的寶寶將本產品當玩具玩耍。
- ! 警告：使用前，請確保手推車或汽車椅所有鎖定裝置都已正確鎖定。
- ! 本產品須由成人進行組裝。
- ! 本手推車適合體重22公斤以下的寶寶使用，不符合使用條件的寶寶會對手推車造成損壞。
- ! 請勿擺放超過4.5公斤的物件於置物籃內，以免導致手推車不穩定而產生危險。
- ! 置物杯的最大載重為0.5公斤。
- ! 不得將寶寶單獨留置於手推車上無人看護。
- ! 不得同時乘坐二位及以上寶寶或附載其它的錢包、購物袋、包裹附件於車手或遮陽篷上。
- ! 請勿使用非製造商提供的附件。只可使用製造商推薦或提供的部分。
- ! 請仔細閱讀說明書，請勿使用其它廠商提供的零部件。
- ! 超載或不正確的折疊及使用未經核准的零部件都可能造成手推車損壞、故障或不安全，請務必閱讀製造商說明書。
- ! 使用前請仔細閱讀本說明書並請妥善保存供以後參照。如果不按照本說明書可能會導致寶寶的重傷或死亡。
- ! 避免寶寶跌落或滑落受到傷害，總是使用安全帶。

- ! 當調整手推車上之任何可活動配件時，必須確定寶寶與手推車保持安全距離。
- ! 寶寶接近手推車前，請確認手推車已完全打開或收合。
- ! 使用時請扣好安全帶，以免寶寶滑入腿部開口外而造成窒息。
- ! 禁止在樓梯或電梯上使用手推車。
- ! 使用時請遠離火源、高溫、水池或電源之附近範圍。
- ! 請勿讓寶寶站立或倒坐於手推車上。
- ! 請勿將手推車放置於馬路、坡道或危險場所。
- ! 請勿將任何繩索或索帶類物件懸掛於寶寶頸部附近，或扣在產品上，以免導致意外窒息。
- ! 請勿放置任何物品在車手、背靠後面或車台側面，以免影響手推車的穩定性。
- ! 寶寶乘坐於手推車內時，不可將整個手推車往上提。
- ! 請勿將寶寶放到置物籃內。
- ! 請不要讓寶寶攀握手推車，以免翻覆。
- ! 為避免手指夾傷問題，收合及展開手推車時，請務必小心。
- ! 寶寶接近手推車前，請確認手推車已完全打開或收合。
- ! 使用前請確定各部件安裝牢固以確保安全。
- ! 保持寶寶遠離遮陽篷或雨篷以免造成窒息。
- ! 停泊此手推車時務必確實使用所有之剎車裝置。
- ! 當發現手推車損壞時，應立即停止使用。

- ! 本產品只適合以步行速度使用。
- ! 避免燙傷兒童，請勿將熱飲放入置物杯內。
- ! 使用本產品前，請取掉PE袋和包裝材料並銷毀，並放到嬰兒和兒童觸摸不到的地方。
- ! 本產品不適用於跑步和滑冰。
- ! 當放入和抱出寶寶時，應鎖定剎車裝置。
- ! 當結合汽車椅使用時，本產品不可代替睡床使用。若您的寶寶需要睡眠時，請讓寶寶睡在合適的睡床上。
- ! 睡箱不適用於能自行坐立和翻身且能靠自己的手與膝蓋站立的寶寶，睡箱適用寶寶最大體重為9公斤。
- ! 使用睡箱時請勿在睡箱內增加額外的睡墊。
- ! 移動本產品時，輕放輕移，切忌硬拖猛推，以免造成產品結構等鬆動或斷裂。
- ! 供新生兒使用時，應使用最斜躺位置。
- ! 當結合汽車椅使用時，本產品不可代替睡床使用。若您的寶寶需要睡眠時，請讓寶寶睡在合適的睡床上。

產品組裝 (圖片請參閱說明書 1-11 頁)

組裝及使用手推車前，請先閱讀說明書全文，並按照說明書指示進行操作。

打開手推車

見圖① - ②

推開收合鉤①，然後將車手向後上方向拉起②，聽到“咔嚓”聲表示車架已打開到位。

! 使用手推車前務必確保車架已打開到位。

組裝& 拆卸前輪

見圖③ - ④

組裝& 拆卸後輪

見圖⑤ - ⑥

組裝& 拆卸扶手

見圖 7 - 8

組裝遮陽篷

見圖 9 - 10

組裝& 拆卸置物杯

見圖 11 - 12

手推車組裝完成後如 13 所示。

產品操作

調整背靠角度

見圖 14 - 15

依不同使用需求，背靠共有4個段位可供調節。

調低背靠角度

按壓背靠調整拉桿，同時向下調整靠背到合適的角度 14

調高背靠角度

調高背靠角度時，將背靠向上推即可 15

！ 確保背靠角度調整到合適角度後，方可使用。

使用安全扣

見圖 16 - 17

鬆開安全扣

按下母扣中央的按鈕，鬆開安全扣 16

扣合安全扣

將肩帶扣插入腰帶扣 17 - 1，再將他們插入母扣內 17 - 2，聽到“咔嚓”聲表示扣合到位 17 - 3

！ 為防止寶寶摔跤，寶寶乘坐時必須繫上安全帶。

！ 請牢牢地繫上安全帶，並注意寶寶與安全帶之間須可以放進一個手掌的厚度。

！ 請勿交叉肩帶，以免對寶寶頸部造成壓迫。

使用肩帶和腰帶

見圖 18 - 21

！ 寶寶坐進手推車後，請確認肩帶孔高度和肩帶及腰帶的長度是否合適，以免寶寶於使用時意外跌出。

18 - 1 肩帶固定栓A

18 - 2 肩帶固定栓B

18 - 3 調整扣

較大的寶寶使用時，請使用肩帶固定栓A和最上方的肩帶孔；

較小的寶寶使用時，請使用肩帶固定栓B和最下方的肩帶孔。

調整肩帶固定栓位置時，將背靠後方的肩帶固定栓放置水平、短邊朝前，從肩帶孔穿出¹⁹，再從背靠前方將肩帶固定栓穿過最接近寶寶肩膀的肩帶孔²⁰

將調整扣上下滑動，可調節肩帶長度²¹ - 1。按壓按鈕²¹ - 2，同時往外拉安全扣內側或外側的腰帶，可調節腰帶長度²¹ - 3

調節小腿靠支撐板

見圖²²

依不同使用需求，小腿靠共有2個段位可供調節。

段位調高時，將小腿靠支撐板由下往上推即可。

段位調低時，按壓小腿靠兩側的調整按鈕²² - 1，同時向下調節小腿靠支撐板²² - 2

前輪定向

見圖²³

向上提起拉板，即可固定車輪前行方向²³

使用小秘訣 當在碎石路面或不平路面推行時，建議鎖定前車輪，便能更輕鬆地操控手推車。

使用剎車踏板

見圖²⁴ - ²⁵

準備剎車時，踩下剎車踏板²⁴

打開剎車時，將剎車踏板抬起²⁵

使用小秘訣 手推車停止前進時，請踩下剎車踏板。

使用遮陽篷

見圖²⁶

向前或向後拉遮陽篷，即可將遮陽篷打開或收攏。

防止寶寶被陽光直射，可以完全打開遮陽篷，拉開拉鏈²⁶ 將遮陽篷往前拉即可。

打開遮陽篷上的天窗方便於照看您的寶寶。

調整車手

見圖²⁷

使用肩帶護片和胯帶護片

肩帶護片或胯帶護片可從織帶上取下，反之即可組裝。

收合手推車

見圖²⁸ - ³¹

！收合手推車前，請先收攏遮陽篷。

1. 向上提起收合織帶，車架向後自動折疊²⁹ - 1
2. 收合鉤自動扣合收合栓，手推車收合完成後如³⁰所示。
3. 手推車收合後可站立如³¹所示。

使用配件

因產品型號的不同，規格會有所不同。並非所有手推車均附以下配件。

使用汽車椅

見圖 32 - 38

當與Joie嬰兒提籃Gemm, iGemm 2, i-Snug & iLevel配合使用時，請參考以下警告：

- ！ 請將手推車背靠調至最平躺段位。
- ！ 關於使用汽車椅有任何問題，請參考說明書。
- ！ 請勿收合已安裝汽車椅的手推車。

組裝& 拆卸座布

見圖 39 - 50

1. 移除扶手布套如 39 所示。
 2. 拉開遮陽篷後片上的拉鏈 40
- ！ 將手推車背靠調至最平躺段位以方便移除座布。
3. 移除小腿靠布套 41
 4. 打開座椅底下的扣具 42
- ！ 移除座布內的支撐板請妥善保管。組裝座布時務必安裝支撐板 49 50
- 依反向操作即可組裝座布 50 - 39

使用睡箱

見圖 51 - 52

當與Joie睡箱ramble, ramble xl配合使用時，請參考以下警告：

- ！ 關於使用睡箱有任何問題，請參考說明書。
- ！ 使用睡箱時必須使用睡墊。
- ！ 請勿收合已安裝睡箱的手推車。

使用雨篷

見圖 53

將雨篷套到車架上，再黏合雨篷側面的黏扣帶 53

- ！ 使用雨篷時，請確認汽車椅已正確固定和手推車背靠已調至最低檔。
- ！ 使用雨篷時，請隨時注意並確認雨篷內有良好的通風。
- ！ 不使用雨篷時，請先確認雨篷已清潔並乾燥，再收納。
- ！ 請勿收合已罩上雨篷的手推車。
- ！ 天氣炎熱時，請勿將寶寶放在裝有雨篷的手推車內。

保養常識

見圖 54

- ! 清洗車架：僅能使用中性清潔劑及溫水洗滌，請勿使用漂白劑。清洗後用吸水的布擦乾防止生鏽。
- ! 移除的座布可機洗。請勿大力扭乾，過分大力扭乾可能留下皺褶。請勿使用漂白劑。請於陰涼處鋪平晾乾。
- ! 隨時檢查您的手推車，並隨時更換或修理鬆弛磨損的零件、脫落的材料或車縫線。
- ! 過度曝曬於陽光下，可導致手推車老化或變形。
- ! 手推車潮濕時，請打開手推車及遮陽篷，待乾燥後再收合起來。
- ! 如果輪子發出“吱吱”聲，可加油(WD-40，防鏽油或縫紉機油)潤滑。請將潤滑油點入輪軸及軸孔 54 之間，此步驟為重要的保養須知。
- ! 在海邊使用手推車時，務必於使用過後清除沙粒，以做好完善的清洗。

Note

ZH 感谢您使用本产品

祝贺您加入巧儿宜大家庭! 您刚买了一台符合国家执行标准GB 14748-2006 和欧洲安全标准EN 1888-2:2018 的高品质的豪华型手推车。这台手推车适用于重量22 公斤以下的宝宝。中国区域使用请依照GB 标准规范。

请仔细阅读本说明书并依照指示操作, 这样才能保障并提供您的宝宝一个安全又舒适的行车旅程。

重要 - 请保留好说明书以便日后参考。

如需要了解更多信息, 请您访问joiebaby.com 网站下载说明书或查看更多令人激动的Joie 产品!

目录

参照图示	1-11
紧急情况处理	142
产品资讯	143
产品组件及各部件名称	144
警告	145
产品组装	148
打开手推车	148
组装&拆卸前轮	148
组装&拆卸后轮	148
组装&拆卸扶手	149
组装遮阳篷	149
组装&拆卸置物杯	149

产品操作	149
调整背靠角度	149
使用安全扣	150
使用肩带和腰带	150
调节小腿靠支撑板	151
前轮定向	151
使用刹车踏板	151
使用遮阳篷	152
调整车把	152
使用肩带护片和胯带护片	152
收合手推车	152
使用配件	153
使用汽车椅	153
拆卸&组装座布	153
使用睡箱	154
使用雨篷	154
保养常识	155

紧急情况处理

遇紧急事件或事故时, 需迅速急救或送医治疗照顾您的宝宝是非常重要的。

产品资讯

使用本产品前请先阅读说明书全文, 如果您对于使用本产品还有任何疑问, 请与销售商联系。因产品型号的不同, 规格会有所不同。

Allison GmbH,
Adam-Opel-Strasse 21 67227 Frankenthal
www.joiebaby.com
www.joiebaby.com.cn

产品名称: 豪华型手推车

产品型号: S1509AALIL170

适用范围: 新生儿-22公斤(0-48个月)的宝宝

主要材质: 塑胶、五金、布

执行标准: GB 14748-2006《儿童推车安全要求》

生产企业: 宝钜(中国)儿童用品有限公司
(受委托企业)

地址: 广东省东莞市清溪镇银河工业区

销售商: 巧儿宜(中国)有限公司
(委托企业)

地址: 上海市黄浦区徐家汇路610号日月光中心
办公楼16层01室

电话: 86-21-53087551

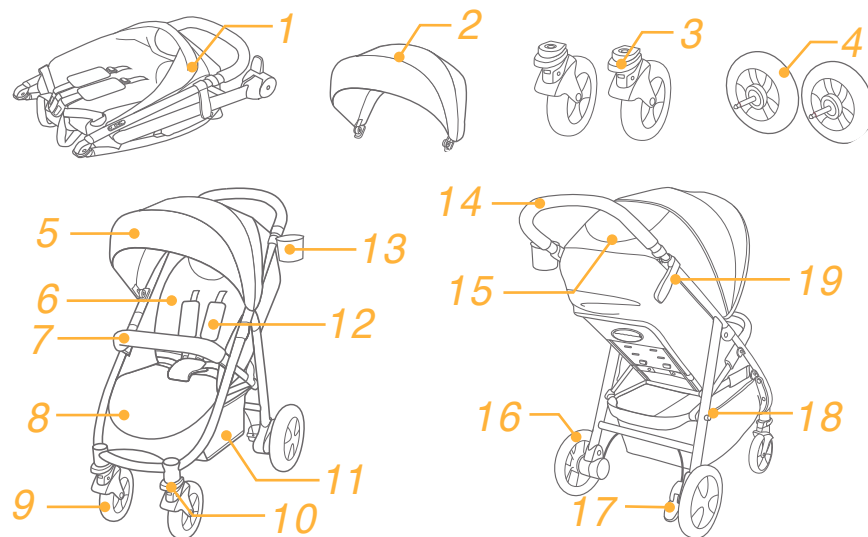
传真: 86-21-53087552

使用本产品前请先阅读说明书全文, 如果您对使用本产品还有任何疑问, 请拨打服务热线86-21-53087553

产品组件及各部件名称

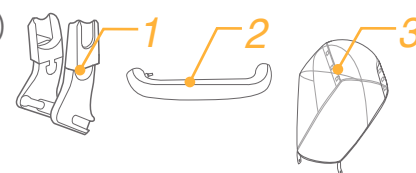
组装前请确认所有部件已经齐全, 如有遗漏, 请与销售商联系。本产品无需工具进行组装。

- | | | |
|-------|-----------|---------|
| 1 主体 | 8 小腿靠 | 15 天窗 |
| 2 遮阳篷 | 9 前轮 | 16 后轮 |
| 3 前轮 | 10 前轮定向拉板 | 17 刹车踏板 |
| 4 后轮 | 11 置物篮 | 18 收合栓 |
| 5 遮阳篷 | 12 肩带 | 19 收合钩 |
| 6 座垫 | 13 置物杯 | |
| 7 扶手 | 14 车把 | |



配件(可能不包含)

1. 汽车椅卡座 (仅部份型号含)
2. 扶手布套 (仅部份型号含)
3. 雨篷 (仅部份型号含)



因产品型号的不同, 并非所有手推车均附以上配件。

警告

- ! 警告: 总是使用束缚系统, 安全带或束缚系统必须正确的扣合及使用。
- ! 警告: 使用前, 请确保所有锁定装置都已处于锁定状态。
- ! 警告: 请勿允许您的宝宝将本产品当玩具玩耍。
- ! 警告: 使用前, 请确保手推车或汽车椅所有锁定装置都已正确锁定。
- ! 本产品须由成人进行组装。
- ! 本手推车适合体重22公斤以下的宝宝使用, 不符合使用条件的宝宝会对手推车造成损坏。
- ! 请勿摆放超过4.5公斤的物件于置物篮内, 以免导致手推车不稳定而产生危险。
- ! 置物杯的最大载重为0.5公斤。
- ! 当儿童乘坐时, 看护人不要离开。
- ! 不得同时乘坐二位及以上宝宝或附载其它的钱包、购物袋、包裹附件于车把或遮阳篷上。
- ! 请勿使用非制造商提供的附件。只可使用制造商推荐或提供的部分。
- ! 请仔细阅读说明书, 请勿使用其它厂商提供的零部件。
- ! 超载或不正确的折叠及使用未经核准的零部件都可能造成手推车损坏、故障或不安全, 请务必阅读制造商说明书。
- ! 使用前请仔细阅读本说明书并请妥善保存供以后参照。如果不按照本说明书可能会导致宝宝的重伤或死亡。
- ! 避免宝宝跌落或滑落受到伤害, 总是使用安全带。

- ! 当调整手推车上之任何可活动配件时, 必须确定宝宝与手推车保持安全距离。
- ! 宝宝接近手推车前, 请确认手推车已完全打开或收合。
- ! 使用时请扣好安全带, 以免宝宝滑入腿部开口外而造成窒息。
- ! 禁止在楼梯或电梯上使用手推车。
- ! 使用时请远离火源、高温、水池或电源之附近范围。
- ! 请勿让宝宝站立或倒坐于手推车上。
- ! 请勿将手推车放置于马路、坡道或危险场所。
- ! 请勿将任何绳索或索带类物件悬挂于宝宝颈部附近, 或扣在产品上, 以免导致意外窒息。
- ! 请勿放置任何物品在车把、背靠后面或车台侧面, 以免影响手推车的稳定性。
- ! 宝宝乘坐于手推车内时, 不可将整个手推车往上提。
- ! 请勿将宝宝放到置物篮内。
- ! 请不要让宝宝攀爬手推车, 以免翻覆。
- ! 为避免手指夹伤问题, 收合及展开手推车时, 请务必小心。
- ! 宝宝接近手推车前, 请确认手推车已完全打开或收合。
- ! 使用前请确定各部件安装牢固以确保安全。
- ! 保持宝宝远离遮阳篷或雨篷以免造成窒息。
- ! 停泊此手推车时务必确实使用所有之刹车装置。
- ! 当发现手推车损坏时, 应立即停止使用。

- ! 本产品只适合以步行速度使用。
- ! 避免烫伤儿童, 请勿将热饮放入置物杯内。
- ! 使用本产品前, 请取掉PE袋和包装材料并销毁, 并放到婴儿和儿童触摸不到的地方。
- ! 本产品不适用于跑步和滑冰。
- ! 当放入和抱出宝宝时, 应锁定刹车装置。
- ! 当结合汽车椅使用时, 本产品不可代替睡床使用。若您的宝宝需要睡眠时, 请让宝宝睡在合适的睡床上。
- ! 睡箱不适用于能自行坐立和翻身且能靠自己的手与膝盖站立的宝宝, 睡箱适用宝宝最大体重为9公斤。
- ! 使用睡箱时请勿在睡箱内增加额外的睡垫。
- ! 移动本产品时, 轻放轻移, 切忌硬拖猛推, 以免造成产品结构等松动或断裂。
- ! 6个月以下婴儿使用时, 请使用最斜躺位置。
- ! 当结合汽车椅使用时, 本产品不可代替睡床使用。若您的宝宝需要睡眠时, 请让宝宝睡在合适的睡床上。

产品组装 (图片请参阅说明书 1-11 页)

组装及使用手推车前, 请先阅读说明书全文, 并按照说明书指示进行操作。

打开手推车

见图① - ②

推开收合钩①, 然后将车把向后上方向拉起②, 听到“哒”声表示车架已打开到位。

! 使用手推车前务必确保车架已打开到位。

组装& 拆卸前轮

见图③ - ④

组装& 拆卸后轮

见图⑤ - ⑥

组装& 拆卸扶手

见图 7 - 8

组装遮阳篷

见图 9 - 10

组装& 拆卸置物杯

见图 11 - 12

手推车组装完成后如 13 所示。

产品操作

调整背靠角度

见图 14 - 15

依不同使用需求, 背靠共有4个段位可供调节。

调低背靠角度

按压背靠调整拉杆, 同时向下调整靠背到合适的角度 14

调高背靠角度

调高背靠角度时, 将背靠向上推即可 15

! 确保背靠角度调整到合适角度后, 方可使用。

使用安全扣

见图 16 - 17

松开安全扣

按下母扣中央的按钮, 松开安全扣 16

扣合安全扣

将肩带扣插入腰带扣 17 - 1, 再将他们插入母扣内 17 - 2, 听到“哒”声表示扣合到位 17 - 3

! 为防止宝宝摔跤, 宝宝乘坐时必须系上安全带。

! 请牢牢地系上安全带, 并注意宝宝与安全带之间须可以放进一个手掌的厚度。

! 请勿交叉肩带, 以免对宝宝颈部造成压迫。

使用肩带和腰带

见图 18 - 21

! 宝宝坐进手推车后, 请确认肩带孔高度和肩带及腰带的长度是否合适, 以免宝宝于使用时意外跌出。

18 - 1 肩带固定栓 A

18 - 2 肩带固定栓 B

18 - 3 调整扣

较大的宝宝使用时, 请使用肩带固定栓A和最上方的肩带孔;

较小的宝宝使用时, 请使用肩带固定栓B和最下方的肩带孔。

调整肩带固定栓位置时，将背靠后方的肩带固定栓放置水平、短边朝前，从肩带孔穿出①9，再从背靠前方将肩带固定栓穿过最接近宝宝肩膀的肩带孔②0

将调整扣上下滑动，可调节肩带长度②1 - 1。按压按钮②1 - 2，同时往外拉安全扣内侧或外侧的腰带，可调节腰带长度②1 - 3

调节小腿靠支撑板

见图②2

依不同使用需求，小腿靠共有2个段位可供调节。

段位调高时，将小腿靠支撑板由下往上推即可。

段位调低时，按压小腿靠两侧的调整按钮②2 - 1，同时向下调节小腿靠支撑板②2 - 2

前轮定向

见图②3

向上提起拉板，即可固定车轮前行方向②3

使用小秘訣 当在碎石路面或不平路面推行时，建议锁定前车轮，便能更轻松地操控手推车。

使用刹车踏板

见图②4 - ②5

准备刹车时，踩下刹车踏板②4

打开刹车时，将刹车踏板抬起②5

使用小秘訣 手推车停止前进时，请踩下刹车踏板。

使用遮阳篷

见图②6

向前或向后拉遮阳篷，即可将遮阳篷打开或收拢。

防止宝宝被阳光直射，可以完全打开遮阳篷，拉开拉链②6将遮阳篷往前拉即可。

打开遮阳篷上的天窗方便于照看您的宝宝。

调整车把

见图②7

使用肩带护片和胯带护片

肩带护片或胯带护片可从织带上取下，反之即可组装。

收合手推车

见图②8 - ③1

！ 收合手推车前，请先收拢遮阳篷。

1. 向上提起收合织带，车架向后自动折叠②9 - 1
2. 收合钩自动扣合收合栓，手推车收合完成后如③0所示。
3. 手推车收合后可站立如③1所示。

使用配件

因产品型号的不同，规格会有所不同。并非所有手推车均附以下配件。

使用汽车椅

见图 32 - 38

当与Joie 婴儿提篮Gemm, iGemm 2, i-Snug & iLevel配合使用时，请参考以下警告：

- ！ 请将手推车背靠调至最平躺段位。
- ！ 关于使用汽车椅有任何问题，请参考说明书。
- ！ 请勿收合已安装汽车椅的手推车。

组装& 拆卸座布

见图 39 - 50

1. 移除扶手布套如 39 所示。
2. 拉开遮阳篷后片上的拉链 40
 - ！ 将手推车背靠调至最平躺段位以方便移除座布。
3. 移除小腿靠布套 41
4. 打开座椅底下的扣具 42
 - ！ 移除座布内的支撑板请妥善保管。组装座布时务必安装支撑板 49 50

依反向操作即可组装座布 50 - 39

使用睡箱

见图 51 - 52

当与Joie 睡箱ramble, ramble x1配合使用时，请参考以下警告：

- ！ 关于使用睡箱有任何问题，请参考说明书。
- ！ 使用睡箱时必须使用睡垫。
- ！ 请勿收合已安装睡箱的手推车。

使用雨篷

见图 53

将雨篷套到车架上，再粘合雨篷侧面的粘扣带 53

- ！ 使用雨篷时，请确认汽车椅已正确固定和手推车背靠已调至最低档。
- ！ 使用雨篷时，请随时注意并确认雨篷内有良好的通风。
- ！ 不使用雨篷时，请先确认雨篷已清洁并干燥，再收纳。
- ！ 请勿收合已罩上雨篷的手推车。
- ！ 天气炎热时，请勿将宝宝放在装有雨篷的手推车内。

保养常识

见图 54

- ! 清洗车架：仅能使用中性清洁剂及温水洗涤，请勿使用漂白剂。清洗后用吸水的布擦干防止生锈。
- ! 移除的座布可机洗。请勿大力扭干，过分大力扭干可能留下褶皱。请勿使用漂白剂。请于阴凉处铺平晾干。
- ! 随时检查您的手推车，并随时更换或修理松弛磨损的零件、脱落的材料或车缝线。
- ! 过度曝晒于阳光下，可导致手推车老化或变形。
- ! 手推车潮湿时，请打开手推车及遮阳篷，待干燥后再收合起来。
- ! 如果轮子发出“吱吱”声，可加油(WD-40, 防锈油或缝纫机油)润滑。请将润滑油点入轮轴及轴孔 54 之间，此步骤为重要的保养须知。
- ! 在海边使用手推车时，务必于使用过后清除沙粒，以做好完善的清洗。

Note

产品服务卡

客户姓名：_____

联系电话：_____

联系地址：_____

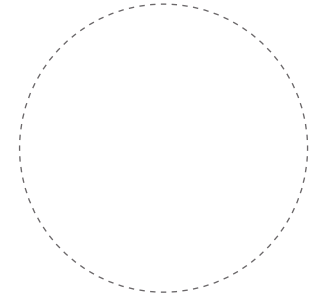
产品型号：_____

购买日期：____/____/____

购买地点：_____

发票号码：_____

备 注：_____



小叮咛

- 本卡仅为购买日期及地点证明之用，相关产品服务内容，请咨询销售商。
- 请妥善保留本服务卡，商品需维修时，请务必出示本卡。（未盖店章其服务卡无效）
- 如有疑问，欢迎来电洽询服务人员，我们将竭诚为您服务！

巧儿宜(中国)有限公司 86-21-53087553 www.joiebaby.com.cn
上海市黄浦区徐家汇路610号日月光中心办公楼16层01室

● 顾客留存联



产品服务卡

客户姓名：_____

联系电话：_____

联系地址：_____

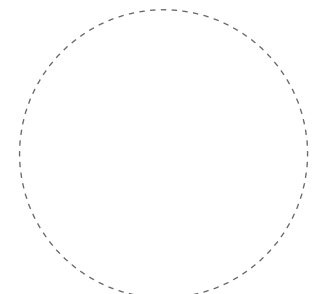
产品型号：_____

购买日期：____/____/____

购买地点：_____

发票号码：_____

备 注：_____



● 商店留存联



HU Üdvözli a Joie™

Gratulálunk, hogy Ön is a Joie család tagja lett! Nagyon örülünk, hogy részesei lehetünk a kisgyereke életútjának. Amikor a Joie Mytrax™ flex -el utazik, Ön egy kitűnő minőségű, teljes mértékben jóváhagyott gyerekkocsit használ, amely megfelel az EN 1888-2:2018 szabványnak. A gyerekágy 22kg-os vagy 4 éves gyerekeknek megfelelő, amelyik hamarabb bekövetkezik. Kérjük figyelmesen olvassa el ezt a kézikönyvet és kövesse a lépéseket, hogy kényelmes utazást és a legjobb védelmet biztosítsa a gyermekének.

FONTOS - OLVASSA EL FIGYELMESEN ÉS TARTSA MEG A KÉSŐBBIEKRE.

A kézikönyvek letöltéséhez látogasson el a joiebaby.com címre, itt láthat további érdekes Joie termékeket!

Garanciális információkért kérjük látogasson el weboldalunkra a joiebaby.com címen.

Tartalom

Ábra	1-11
FIGYELMEZTETÉS	163
Gyerekkocsi összerakása	166
Nyissa ki a gyerekkocsit	166
Első kerék összerakása és leszerelése	166
Hátulsó kerék összerakása és leszerelése	166
Rakja össze és szerelje le a karfát	166
Rakja össze az ülést	167

Pohártartó összerakása és leszerelése	167
---------------------------------------	-----

Gyerekkocsi kezelése **167**

Háttámla állítása	167
Használja a csatot	167
Használja a váll és csípőhámszíjat	168
Lábtartó állítása	169
Első elfordító zár használata	169
Fék használata	169
Ülés használata	169
A fogantyú állítása	170
Vállhámszíj fedél és	
lábak közötti hámszíj fedél használata	170
Hajtsa össze a gyerekkocsit	170
Tartozékok használata	170

A puha belsők eltávolítása és felhelyezése **171**

Tisztítás és karbantartás **173**

Sürgősség

Sürgősség vagy baleset esetén a legfontosabb, hogy a gyerekeknek viselje gondját azonnali elsősegéllyel vagy orvosi kezeléssel.

Termékinformáció

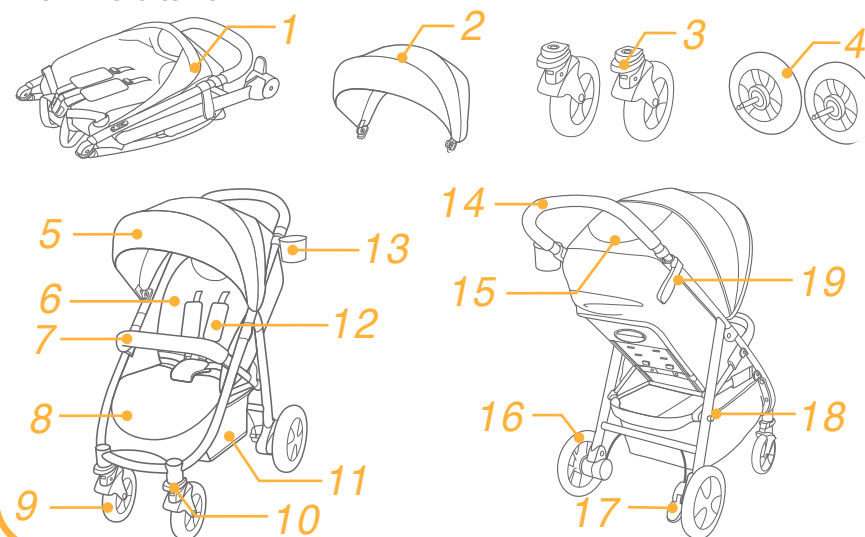
A termék használata előtt olvassa el az útmutatóban lévő összes utasítást. Amennyiben további kérdései vannak, tanácskozzon közvetlenül a forgalmazóval. Egyes funkciók modellfüggőek.

Termék	Mytrax flex gyerekkocsi
Megfelelőség	A gyerekágy 22kg-os vagy 4 éves gyereknek megfelelő, amelyik hamarabb bekövetkezik.
Anyag	Műanyag, fém, szövet
Szabványszám	Szabvány fenntartott
Készült	Kínában
Márkanév	Joie
Weboldal	www.joiebaby.com
Gyártó	Allison GmbH

Alkatrészek listája

Győződjön meg, hogy minden alkatrész rendelkezésre áll, mielőtt nekilát az összeszerelésnek. Amennyiben valamelyik alkatrész hiányzik, kérjük vegye fel a kapcsolatot a helyi kereskedővel. Az összeszereléshez nincs szükség semmilyen szerszámmra.

- | | |
|---------------------|-------------------|
| 1 Gyerekkocsi keret | 11 Tároló kosár |
| 2 Ülés | 12 Vállhámcsíj |
| 3 Első kerék | 13 Pohártartó |
| 4 Hátsó kerék | 14 Fogantyú |
| 5 Ülés | 15 Ülés ablak |
| 6 Üléspárna | 16 Hátsó kerék |
| 7 Karfa | 17 Fékkar |
| 8 Lábtartó | 18 Tároló rögzítő |
| 9 Első kerék | 19 Tároló retesz |
| 10 Elfordító zár | |

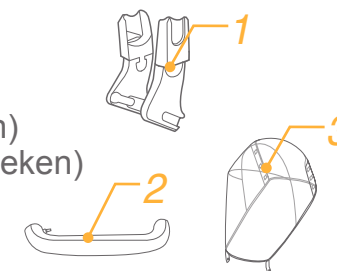


Tartozékok

(lehet hogy nincsenek mellékelve)

- | | |
|---|--|
| 1 Adapter (bizonyos modelleken) | |
| 2 Karfa borító (bizonyos modelleken) | |
| 3 Eső elleni borító (bizonyos modelleken) | |

Tartozékokat árulhatnak külön vagy megtörténhet hogy nem elérhetők a régiótól függően.



FIGYELMEZTETÉS

- ! FIGYELEM Mindig használja az ülésrendszert. A biztonsági öveket és rögzítő rendszereket helyesen kell használni.
- ! FIGYELEM Használat előtt győződjön meg, hogy minden záró eszköz be van kapcsolva.
- ! FIGYELEM Ne engedje a gyereket játszani ezzel a termékkel.
- ! FIGYELEM Használat előtt ellenőrizze, hogy a gyerekkocsi szerkezete és a csecsemőhordozó tartozék eszközei helyesen vannak összeszerelve.
- ! Az összeszerelést felnőtt személynek kell elvégeznie.
- ! Olyan gyerekkel használja a gyerekkocsit, akinek a súlya 22 kg-nál kevesebb. A nem belevaló gyerek kárt okozhat a gyerekkocsiban.
- ! Hogy megelőzzön egy veszélyes, instabil helyzetet, ne tegyen 4,5 kg-nál nagyobb súlyt a tároló kosárba.
- ! A legnagyobb ajánlott súly a pohártartóban 1lbs (0.5kg).
- ! FIGYELEM Soha ne hagyja felügyelet nélkül a gyereket. Mindig tartsa szem előtt a gyereket amíg a gyerekkocsiban van.
- ! A gyerekkocsit egyszerre csak egy gyerekkel használja. Soha ne tegyen táskát, vásárlótáskát, csomagokat vagy más tartozék elemeket a fogantyúra vagy fedélre.
- ! A gyártó által nem jóváhagyott tartozékokat ne használja. Csak a gyártó által szállított vagy ajánlott cserealkatrészeket használja.
- ! A kocsi túlterhelése, helytelen összecsukása vagy más gyártó alkatrészeinek használata károsíthatja a gyerekkocsit, eltörheti vagy bizonytalaná teheti ezt. Kérjük olvassa el a kezelési útmutatót figyelmesen.
- ! Kérjük olvasson el minden útmutatást a kézikönyvben mielőtt használná a terméket. Kérjük tegye el a kezelési kézikönyvet a jövőbeni felhasználásra. Amennyiben figyelmen kívül hagyja a figyelmeztetéseket és útmutatásokat, ez komoly sérülést vagy halált okozhat.

- ! A kiesés vagy kicsúszás miatt bekövetkező komoly sérülések megelőzése érdekében mindig használja a biztonsági övet.
- ! Győződjön meg, hogy a gyerek teste nem akad be a mozgó alkatrészekbe amikor a gyerekkocsit állítja.
- ! Győződjön meg, hogy a gyerekkocsi teljesen ki van nyitva, vagy össze van csukva mielőtt a gyereket a gyerekkocsi közelébe engedi.
- ! Ha nem használja a hámszíjakat, a gyerek becsúszhat a lábnyílásokba és becsípheti a kocsit.
- ! Soha ne használjon gyerekkocsit lépcsőkön vagy mozgólépcsőkön.
- ! Tartsa távol magas hőmérsékletű tárgyaktól, folyadékoktól és elektronikától.
- ! Soha ne engedje a gyereket hogy felálljon a gyerekkocsira vagy úgy üljön a gyerekkocsiba hogy a feje a kocsi eleje felé legyen.
- ! Soha ne hagyja a gyerekkocsit az úton, lejtőkön vagy veszélyes zónákban.
- ! Az esetleges fulladások megelőzése érdekében ne tegyen zsinórral ellátott tárgyakat a gyermek nyaka köré, ne függessen fel zsinórokat a gyerekágyra, és ne kössön zsinórokat a játékokra.
- ! Bármilyen teher amit a fogantyúra, a háttámlára és/ vagy a jármű oldalára helyez, a gyerekkocsi stabilitását befolyásolhatja.
- ! NE emelje fel a gyerekkocsit amíg a gyerek a kocsiban van.
- ! NE használja a tároló kosarat gyerekhordozónak.
- ! Ahhoz, hogy megelőzze a feldőlést, soha ne hagyja a gyereket felmászni a gyerekkocsira. Mindig emelje be és ki a gyereket a gyerekkocsiból.
- ! Kerülje el az ujj becsípését, figyeljen oda amikor összehajtja vagy kinyitja a gyerekkocsit.
- ! FIGYELEM A sérülések elkerülése érdekében bizonyosodjon meg, hogy a gyerek távol van tartva amikor összehajtja vagy kinyitja a terméket.

- ! A gyerek biztonságának érdekében kérjük győződjön meg, hogy minden alkatrész össze van szerelve és megfelelően meg van húzva mielőtt a gyerekkocsit használja.
- ! Ahhoz, hogy megelőzze a fulladást, győződjön meg hogy a gyerek távol van az üléstől.
- ! Mindig használja a fékeket amikor leparkolja a gyerekkocsit.
- ! Ne használja tovább a gyerekkocsit ha sérült vagy törött.
- ! A gyerekkocsit csak lépésben használja. Ez a termék nem kocogásra készült.
- ! Égési sérülések elkerülése végett soha ne tegyen forró folyadékokat a pohártartóba.
- ! A fulladás elkerülése érdekében távolítsa el a műanyag zsákot és a csomagolóanyagokat mielőtt használná a terméket. A műanyag zsák és a csomagolóanyagot tartsa távol csecsemőktől és gyerekektől.
- ! Ez a termék nem megfelelő kocogásra vagy görkorcsolyázásra.
- ! A születéstől használható gyerekkocsikat ajánlott a legjobban megdöntött helyzetben használni újszülött gyerekeknél.
- ! A parkoló eszközt kapcsolja be amikor behelyezi és kiveszi a gyereket.
- ! Az alvázzal együtt használt csecsemőhordozó esetén ez a jármű nem helyettesíti a kosarat vagy ágyat. Amennyiben a gyerekek alvásra van szüksége, egy megfelelő kocsiba, kosárba vagy ágyba kell helyeznie.
- ! A hordozó kosár csak olyan gyerek számára megfelelő aki nem tud segítség nélkül ülni, átfordulni és nem tudja magát felnyomni térdre és könyökre. A gyerek maximális súlya: 9kg.
- ! NE használjon vagy ne adjon hozzá semmilyen matracot, mást mint amit a hordozó kosárral szállítottak.
- ! Ne csatoljon elemeket a fogantyúhoz, üléstámlára vagy a gyerekkocsi oldalára. Bármilyen további teher a gyerekkocsi stabilitását befolyásolja és a gyerekkocsi felbillenését okozhatja.
- ! A gyerekágy 22kg-os vagy 4 éves gyerekeknek megfelelő, amelyik hamarabb bekövetkezik.

Gyerekkocsi összerakása

(Lásd az ábrákat az 1-11 oldalon levő ábrákat)

A termék használata és összeszerelése előtt kérjük olvassa el az útmutatóban lévő összes utasítást.

Gyerekkocsi kinyitása

lásd a képeket ① - ②

Különítse el a tároló reteszt a tároló retesz rögzítésétől ①, és utána emelje fel a fogantyút ②, egy kattánó hang azt jelenti hogy a gyerekkocsi teljesen nyitva van.

! Ellenőrizze hogy a gyerekkocsi teljesen kinyitva rögzült, mielőtt tovább használná.

Első kerék összerakása és leszerelése

lásd a képeket ③ - ④

Hátulsó kerék összerakása és leszerelése

lásd a képeket ⑤ - ⑥

Rakja össze és szerelje le a karfát

lásd a képeket ⑦ - ⑧

Rakja össze az ülést

lásd a képeket 9 - 10

Pohártartó összerakása és leszerelése

lásd a képeket 11 - 12

A teljesen összeszerelt gyerekocsit az ábra mutatja 13

Gyerekocsi kezelése

Háttámla állítása

lásd a képeket 14 - 15

A háttámla 4 szögbe állítható.

A háttámla döntése

A háttámla döntéséhez szorítsa meg a döntő fogantyút az ülés hátoldalán és húzza le a háttámlát. 14

A háttámla emelése

A hátoldal felemelése 15

! Győződjön meg, hogy a döntés megfelelően van állítva a használathoz.

Használja a csatot

lásd a képeket 16- 17

Engedje ki a csatot

A csat kiengedéséhez nyomja meg a középső gombot. 16

Zárja le a csatot

Párosítsa a csípőhámszíjat a vállzárral 17 - 1, és kattintsa be a középső csatba. 17 - 2 A „kattanó” hang azt jelenti a csat teljesen zárva van. 17 - 3

! A kiesés vagy kicsúszás miatt bekövetkező komoly sérülések megelőzése érdekében mindig rögzítse a gyermeket hámszíjakkal.

! Győződjön meg, hogy a gyerek megfelelően biztosítva van. A gyerek és a vállhámszín közötti távolság körülbelül egy kézvastagságnyi.

! Ne keresztezze a vállpántokat. Ez nyomást gyakorol a gyerek nyakára.

Használjon váll és csípőhámszíjat

lásd a képeket 18 - 21

! Ahhoz hogy a gyermeket megvédje a kieséstől, miután a gyermeket behelyezte az ülésbe, ellenőrizze, hogy a váll és csípőhámszíjak megfelelő magasságban vannak és megfelelő hosszúságúak.

18 - 1 Vállhámszín rögzítő A

18 - 2 Vállhámszín rögzítő B

18 - 3 Csúszás állító

Nagyobb gyermek esetében használja az A vállhámszín rögzítőt és a legmagasabb vállpánt nyílást. Kisebb gyermek esetében használja a B vállhámszín rögzítőt és a legalacsonyabb vállpánt nyílást.

A vállhámszín rögzítő helyzetének állításához fordítsa a rögzítőt úgy, hogy szintben legyen és az oldala előre nézzen. Húzza át a vállhámszín nyíláson hátulról előre. 19 Húzza át újra azon a nyíláson amelyik a legközelebb áll a gyermek magasságához. 20

Használja a csúszás állítót, hogy a hámszín hosszán állítson. 21 - 1

Nyomja meg a gombot 21 - 2, miközben a csípőhámszíjat húzza a megfelelő hosszúságra. 21 - 3

Lábtartó állítása

lásd a képeket 22

A lábtartónak két helyzete van.

A lábtartó felemeléséhez nyomja felfele. A „kattanó” hang azt jelenti a lábtartó teljesen zárva van.

A lábtartó leengedéséhez nyomja meg az állító gombokat a lábtartó mindkét oldalán 22 - 1 és fordítsa a lábtartót lefele. 22 - 2

Első elfordító zár használata

lásd a képeket 23

Nyomja fel az első elfordító zárat, hogy megtartsa a mozgási irányt. 23

Tipp Egyetlen felületen ajánlott az elfordító zárok használata.

A fék használata

lásd a képeket 24 - 25

A kerekek rögzítéséhez lépjen rá lefele a fékkarra. 24

A kerekek felengedéséhez csak emelje fel a fékkart. 25

Tipp Mindig állítsa be a parkoló féket amikor a gyerekkocsi nem mozog.

Ülés használata

lásd a képeket 26

Az ülés kinyitható vagy lehajtható, húzza előre vagy hátra.

Az ülés teljesen kinyitható, hogy védje a gyereket a naptól, nyissa ki a zipzárt 26 , majd húzza az ülést előre.

Az ülésen van egy ablak, amin keresztül láthatja a gyereket.

A fogantyú állítása

lásd a képeket 27

Használja a vállhámszíp borítót és a lábak közötti hámszíp borítót

A vállhámszíp borító vagy lábak közötti hámszíp borító eltávolítható a hálóról. A vállhámszíp borító és a lábak közötti hámszíp borító fordított lépésekben összeszerelhető.

A gyerekkocsi összehajtása

lásd a képeket 28 - 31

! Kérjük hajtja le az ülést mielőtt összehajtaná a gyerekkocsit.

1. Húzza a hálót előre, a keret automatikusan hátracsukódik.

29 - 1

2. A tároló retesz automatikusan bezár a tároló rögzítőbe, majd a gyerekkocsi teljesen összehajtván és lezárva van. 30

3. A gyerekkocsi összehajtván felállítható. 31

Tartozékok használata

Tartozékokat árulhatnak külön vagy megtörténhet hogy nem elérhetők a régiótól függően.

Használat csecsemőhordozóval

lásd a képeket 32 - 38

Amikor Joie Gemm, iGemm 2, i-Snug és iLevel csecsemőhordozóval használja, kérjük olvassa el az alábbi utasításokat.

- ! Mielőtt a csecsemőhordozót használná, kérjük győződjön meg, hogy a háttámla nincs a legalsó helyzetben és a csecsemőhordozó rögzítve van.
- ! Amennyiben problémája adódik a csecsemőhordozó használatával, kérjük olvassa el ezek kezelési útmutatóját.
- ! Kérjük ne hajtsa össze a gyerekkocsit, ha a csecsemőhordozó még mindig fel van szerelve.

A puha belsők eltávolítása és felhelyezése

lásd a képeket 39 - 50

1. Távolítsa el a karfa borítót amint az ábrán látható 39
2. Nyissa ki a zipzárt amely az ülés hátoldalán van. 40
 - ! Állítsa a háttámlát a legalsó helyzetbe, hogy könnyen el tudja távolítani puha belsőket.
3. Távolítsa el a lábtartó borítóját. 41
4. Nyissa ki a csatot amely az ülés alján van. 42
 - ! Kérjük tartsa biztosan a tartólapot, a puha belsők beszerelésekor fel kell szerelni a tartólapot. 49 50

A puha belsők visszaszereléséhez kövesse a fenti lépéseket fordított sorrendben 50 - 39

Használat Joie hordozó kosárral

lásd a képeket 51 - 52

Amikor Joie hordozó kosárral együtt használja, kérjük olvassa el az alábbi utasításokat.

- ! Amennyiben problémája adódik a hordozó kosár használatával, kérjük olvassa el ezek kezelési útmutatóját.
- ! A hordozó kosár használatakor mindig használjon matracot.
- ! Kérjük ne hajtsa össze a gyerekkocsit, amikor a hordozó kosarat csatolta.

Az eső elleni borító használata


lásd a képeket 53

Az eső elleni borító összeállításához helyezze a gyerekkocsi fölé, majd kapcsolja a össze a 8 pár horgot és a hurokszorítókat az eső elleni borítón. 53

- ! Mielőtt az eső elleni borítót használná, kérjük győződjön meg, hogy a háttámla nincs a legalsó helyzetben és a csecsemőhordozó rögzítve van.
- ! Amikor használja az eső elleni borítót, kérjük mindig ellenőrizze a szellőzést.
- ! Amikor nem használja, kérjük ellenőrizze hogy az eső elleni borítót megtisztította és megszáritotta mielőtt összehajtja.
- ! Az eső elleni borító használatakor ne hajtsa össze a gyerekkocsit.
- ! Meleg időben ne tegye a gyereket a gyerekkocsiba ha az eső elleni borítót felszerelte.

Tisztítás és karbantartás

lásd a képeket 

- ! A gyerekkocsi keretet kizárólag háztartási szappannal és meleg vízzel tisztítsa meg. Ne használjon fehérítőt vagy mosószert. A gyerekkocsi szövettel bevont részeinek tisztítását illetően tekintse meg a kezelésre vonatkozó címkén lévő utasításokat.
- ! Az eltávolítható puha belsők mosógépben moshatók. Ne fehérítse. Ne csavarja az üléshezátot vagy a belső bélést, hogy nagy erővel szárítsa. Ráncos maradhat az üléshezát és a belső bélés.
- ! Rendszeres időközönként ellenőrizze, hogy nincsenek-e meglazult csavarok, elhasználódott alkatrészek, illetve elszakadt anyagdarabok vagy varrások a gyerekkocsin. Szükség esetén cserélje le vagy javítsa meg az alkatrészeket. Időszakosan törölje tisztára a műanyag részeket egy nedves puha ronggyal. Mindig szárítsa meg a fémrészeket, hogy megelőzze a rozsdázást, ha a gyerekkocsi vízzel érintkezett.
- ! Túlzott napfény vagy hó hatására az alkatrészek kifakulhatnak vagy deformálódhatnak.
- ! Ha a gyerekkocsi nedves lesz, nyissa ki az ülést és hagyja megszáradni tárolás előtt.
- ! Ha a kerekek nyikorognak, használjon olajat (pl. Szilikon spray, rozsdá gátló olaj vagy varrógép-olaj). Fontos hogy az olaj a tengelyre és a kerékhez jusson. 
- ! Ha a gyerekkocsit strandon vagy nagyon homokos/poros helyen használja, használat után tisztítsa meg teljesen a gyerekkocsit hogy eltávolítsa a homokot és sót a fék és kerékrendszerből.

Megjegyzés



Joie™

Allison GmbH
Adam-Opel-Straße 21 67227
Frankenthal

bring the kids™

Share the joy at joiebaby.com

IM-000341D