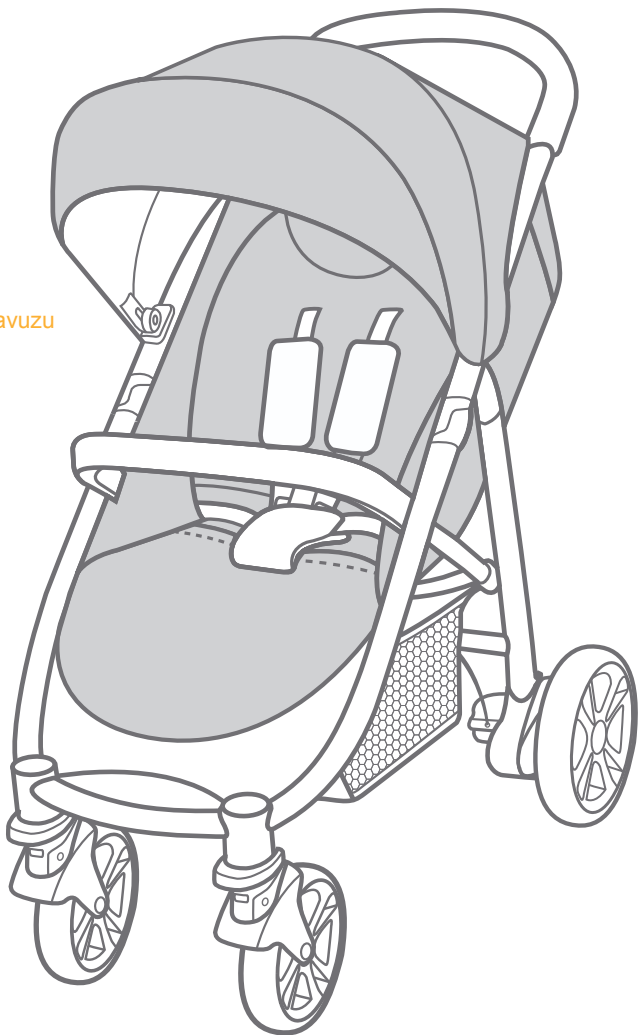


# Joie™

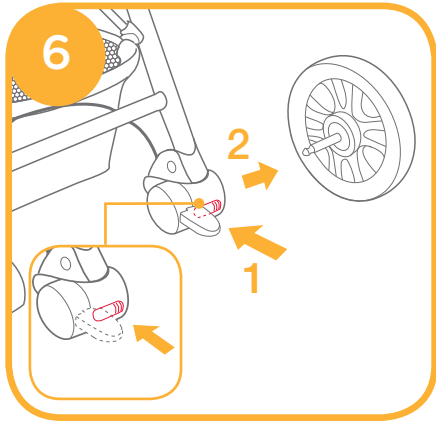
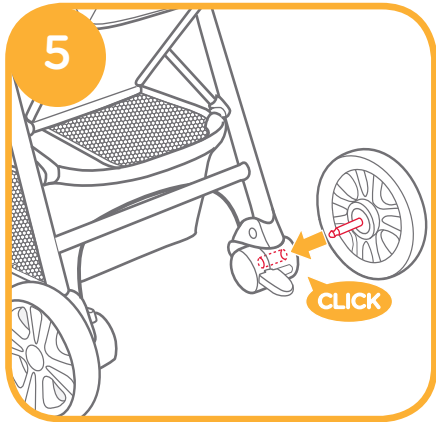
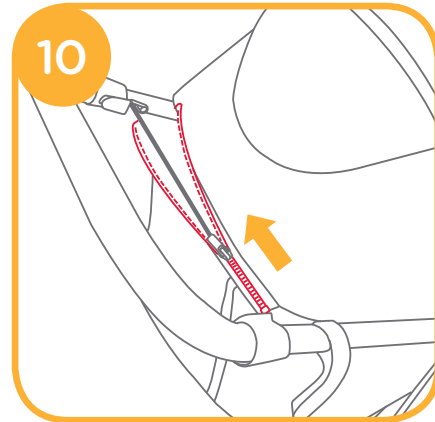
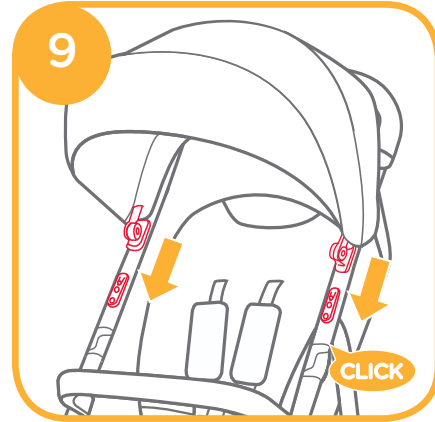
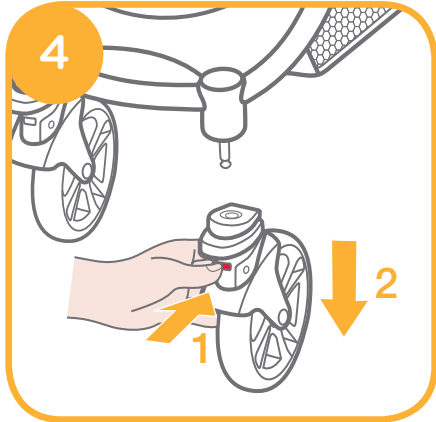
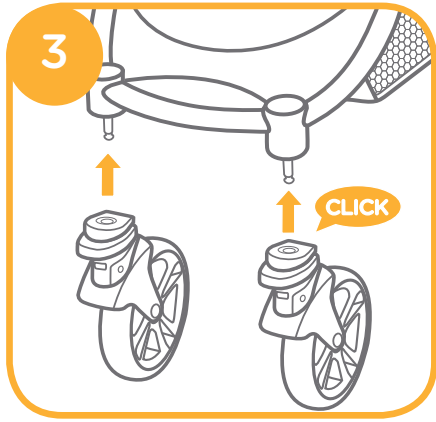
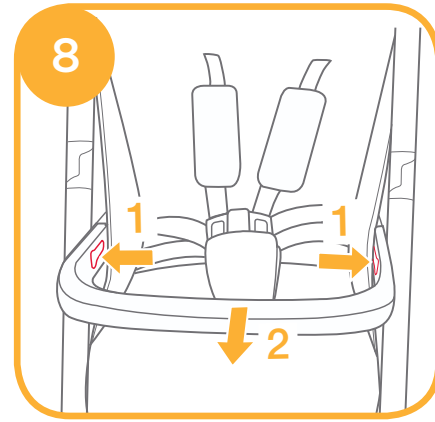
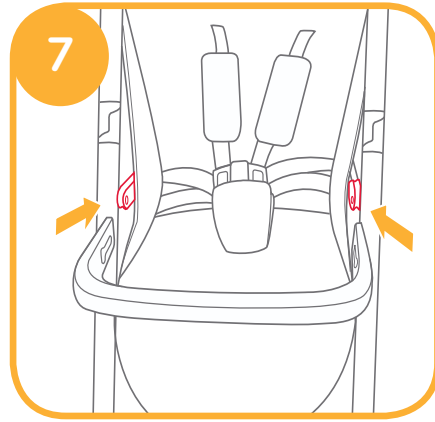
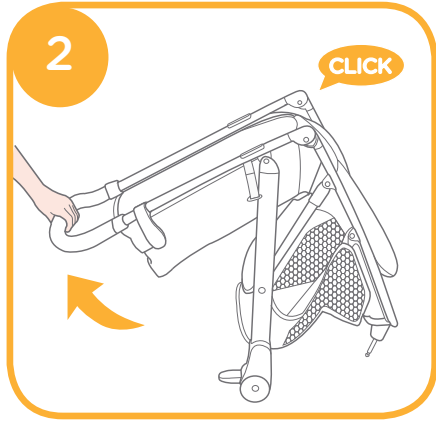
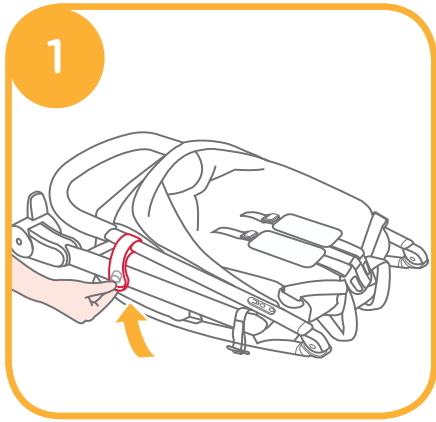
birth to 15kg/(birth - 36 months)

## litetrax™ 4 stroller

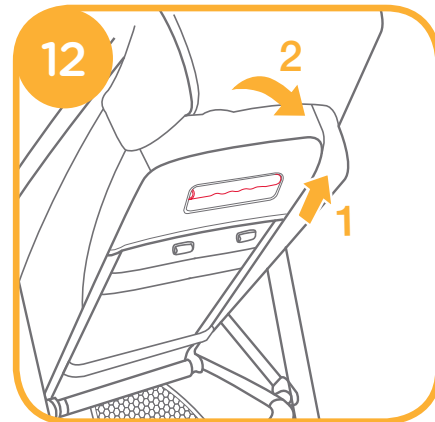
- GB Instruction Manual
- PT Manual de Instruções
- ES Manual de instrucciones
- FR Manuel d'utilisateur
- DE Bedienungsanleitung
- NL Handleiding
- IT Manuale di istruzioni
- TR Bebek arabasi Kullanma kilavuzu
- RU Руководство по эксплуатации
- PL Instrukcja obsługi
- CZ Návod k obsluze
- SK Návod na použitie
- DA Brugsvejledning
- AR دليل التعليمات

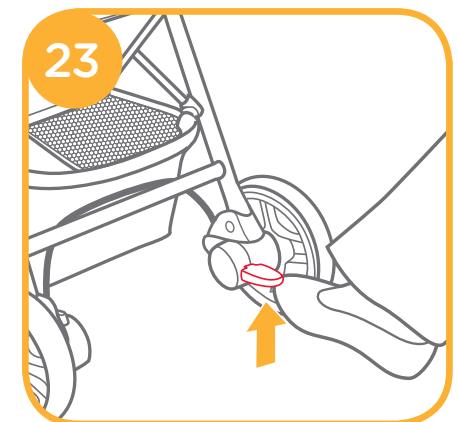
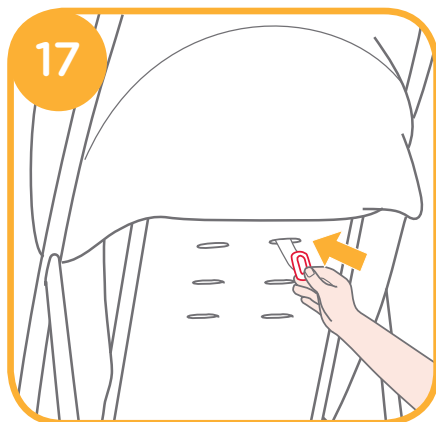
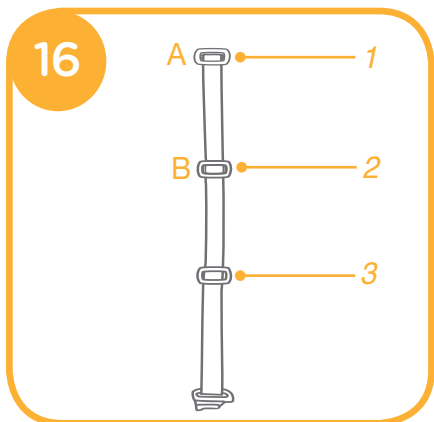
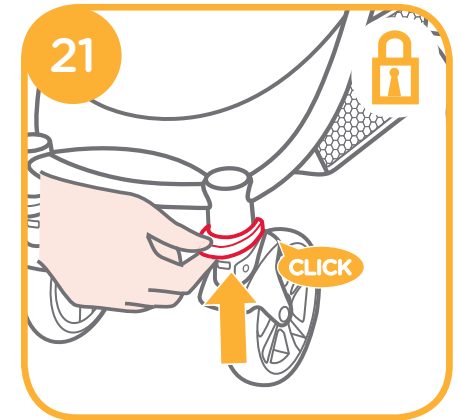
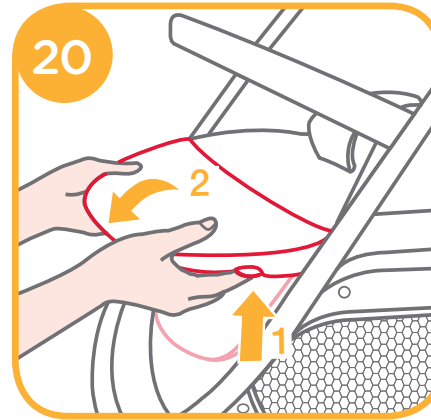
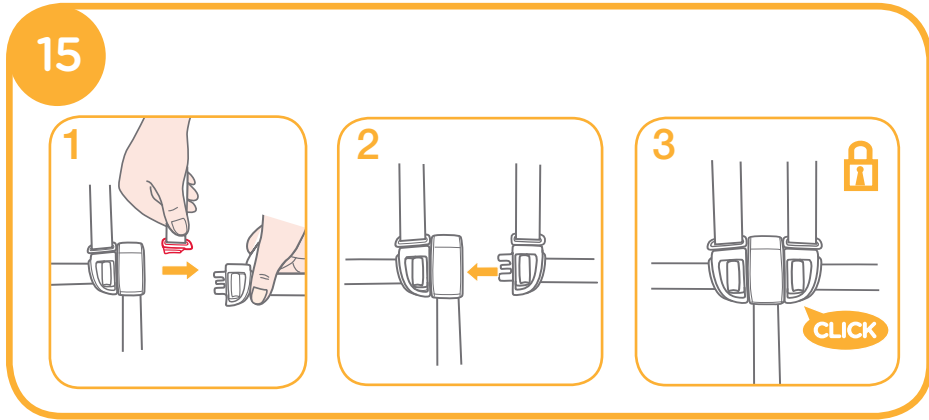
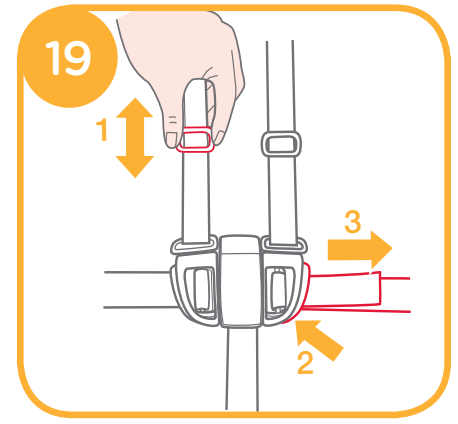
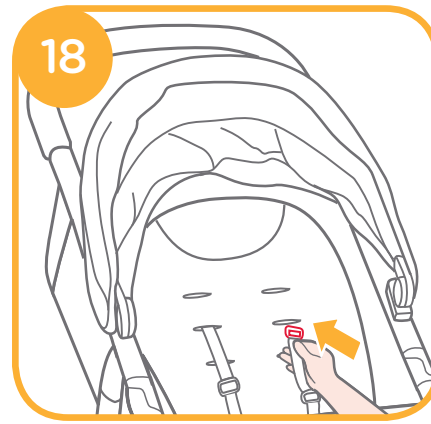
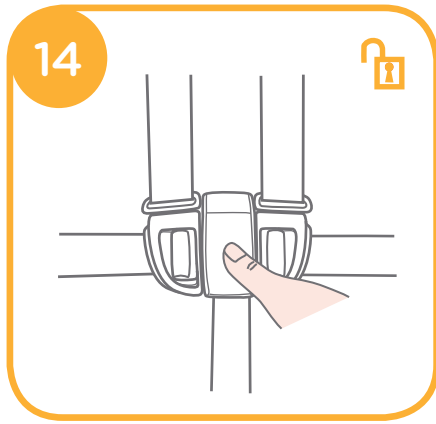
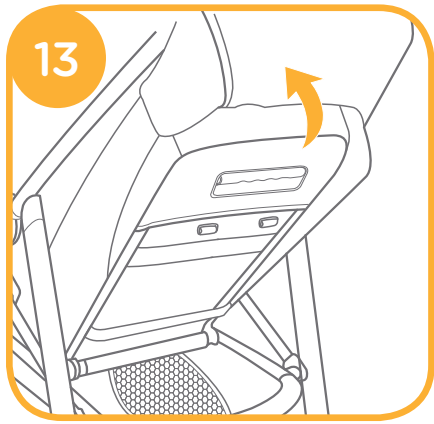


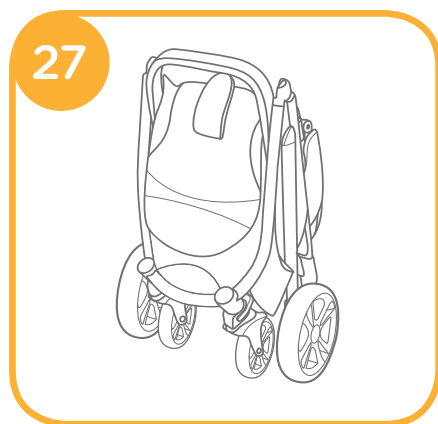
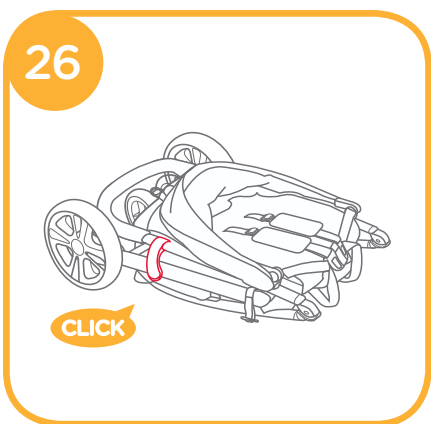
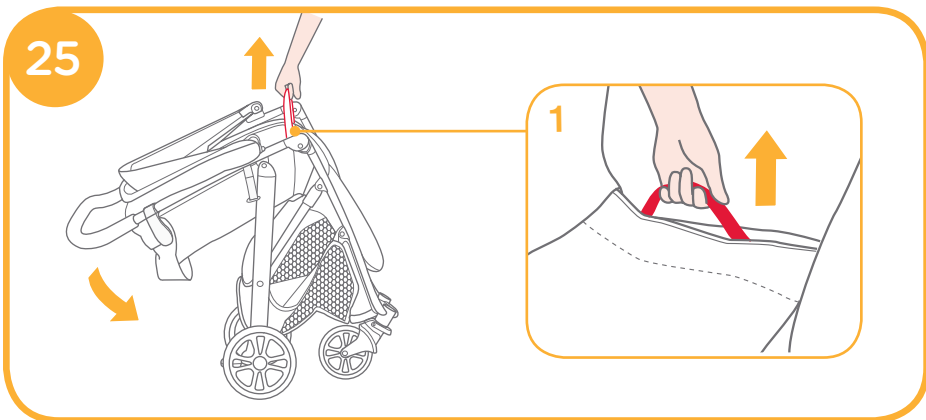
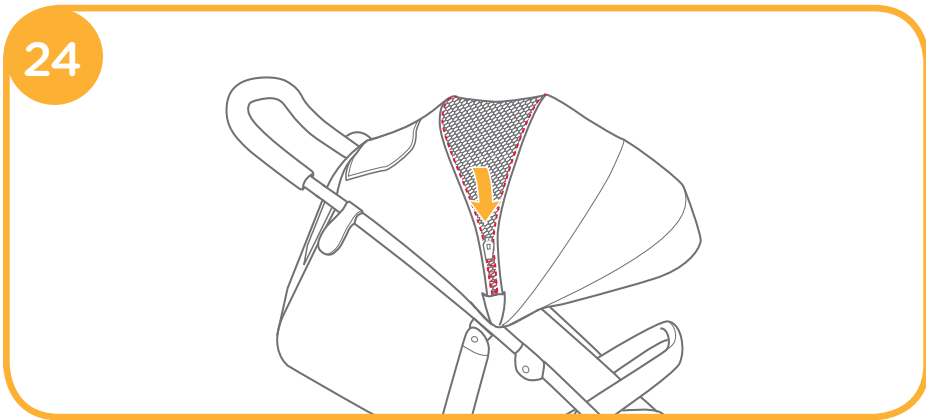
# Stroller Assembly



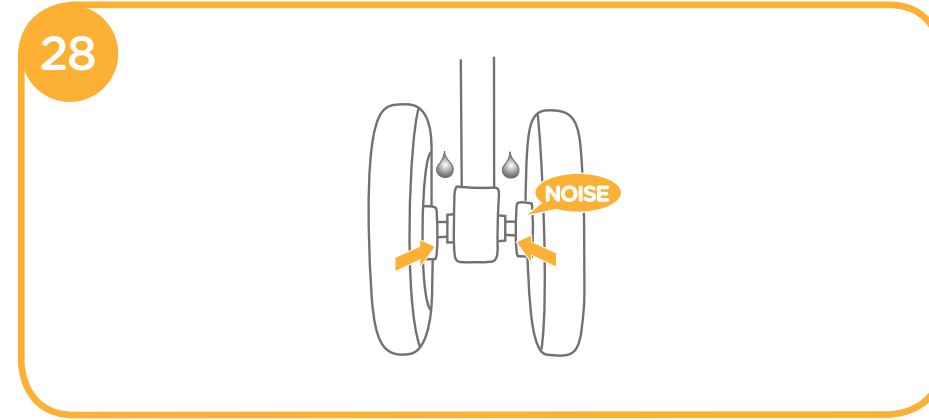
# Stroller Operation





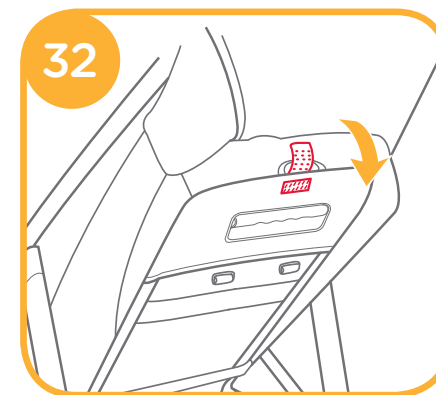
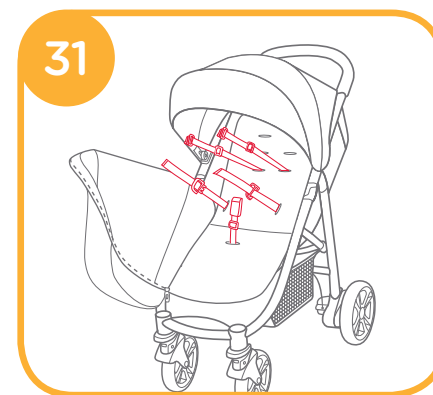
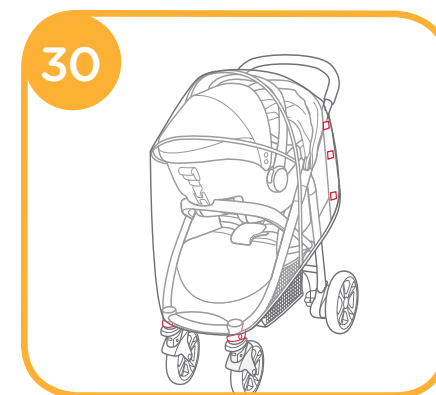
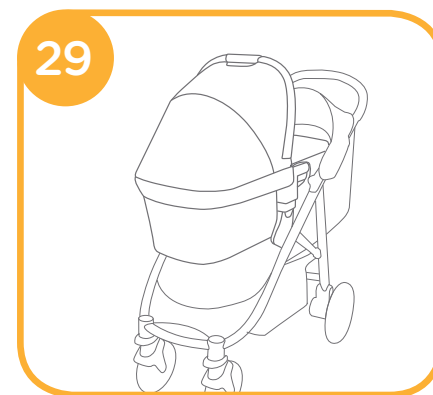


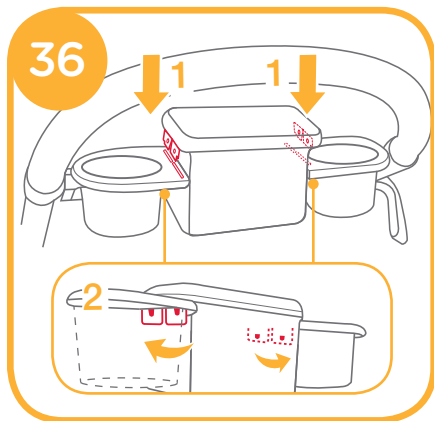
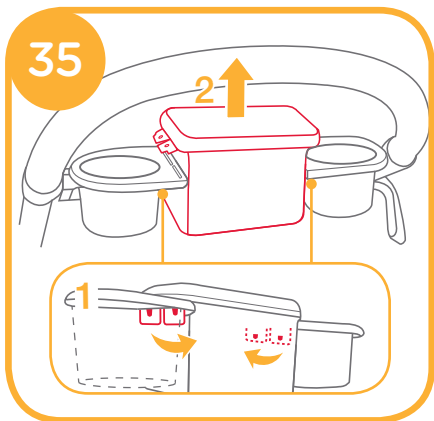
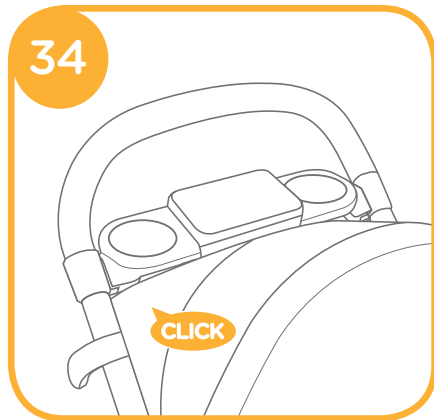
### Care and Maintenance



### Accessories (May not be included in purchase)

Accessories may be sold separately or may not be available depending on region.





Note

Congratulations on becoming part of the Joie family! We are so excited to be part of your journey with your little one. While traveling with the Joie LITETRAX™4, you are using a high quality, fully certified stroller, approved to European safety standards EN 1888:2012. This product is suitable for use with children weighing under 15kg. Please carefully read this manual and follow each step to ensure a comfortable ride and best protection for your child.

**IMPORTANT - Keep these instructions for future reference.**

Visit us at [joiebaby.com](http://joiebaby.com) to download manuals and see more exciting Joie products!

For warranty information, please visit our website at [joiebaby.com](http://joiebaby.com)

**Contents**

Figures	1-7
WARNING	11
<b>Stroller Assembly</b>	<b>12</b>
Open Stroller	12
Assemble & Detach Front Wheel	12
Assemble & Detach Rear Wheels	13
Assemble & Detach Armbar	13
Assemble Canopy	13
<b>Stroller Operation</b>	<b>13</b>
Adjust Backrest	13
Use Buckle	13
Use Shoulder & Waist Harnesses	13
Adjust Calf Support	14
Use Front Swivel Lock	14
Use Brake	14
Use Canopy	14
Fold Stroller	14
Use Accessories	15
<b>Care and Maintenance</b>	<b>16</b>

**Emergency**

In case of emergency or accident, it is most important to have your child taken care of with first aid and medical treatment immediately.

**Product Information**

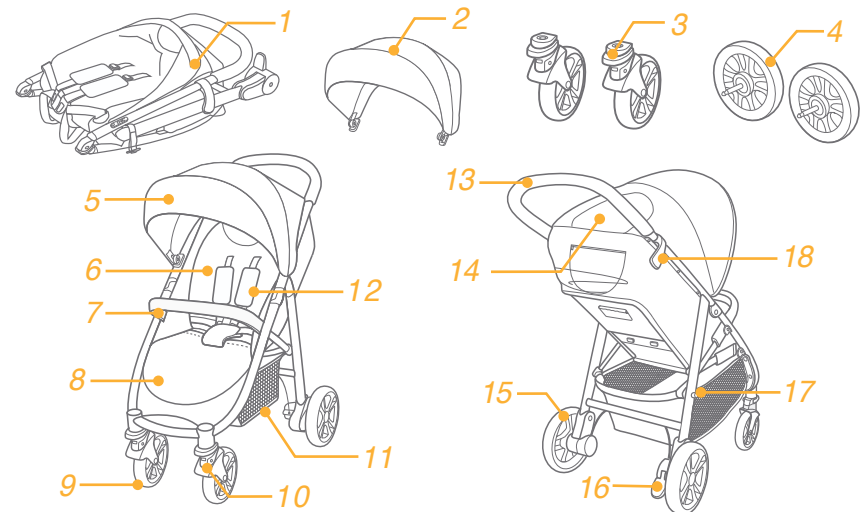
Read all the instructions in this manual before using this product. If you have any further questions, please consult the retailer. Some features may vary depending on model.

Product	Litetrax™4 Stroller
Suitable for	Child weighing under 15kg (birth - 36 months)
Materials	Plastics, metal, fabrics
Patent No.	Patents pending
Made in	China
Brand Name	Joie
Website	<a href="http://www.joiebaby.com">www.joiebaby.com</a>
Manufacturer	Joie Children's Products (UK) Limited

**Parts List**

Make sure all parts are available before assembly. If any part is missing, please contact local retailer. No tools are required for assembly.

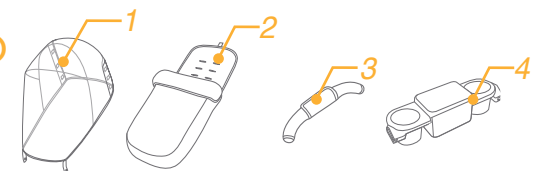
- |                  |                |                     |                  |
|------------------|----------------|---------------------|------------------|
| 1 Stroller Frame | 6 Seat Pad     | 11 Storage Basket   | 16 Brake Lever   |
| 2 Canopy         | 7 Armbar       | 12 Shoulder Harness | 17 Storage Mount |
| 3 Front Wheel    | 8 Calf Support | 13 Handle           | 18 Storage Latch |
| 4 Rear Wheels    | 9 Front Wheel  | 14 Window           |                  |
| 5 Canopy         | 10 Swivel Lock | 15 Rear Wheel       |                  |



**Accessories**

(May not be included)

- |                                  |                                |                                    |                                   |
|----------------------------------|--------------------------------|------------------------------------|-----------------------------------|
| 1 Rain cover (on certain models) | 2 Footmuff (on certain models) | 3 Armbar Cover (on certain models) | 4 Parent Tray (on certain models) |
|----------------------------------|--------------------------------|------------------------------------|-----------------------------------|



Accessories may be sold separately or may not be available depending on region.

## WARNING

- ! WARNING Always use the restraint system.
- ! WARNING Always use the crotch combination with the waist belt. It is suggested that the shoulder harnesses be used as well.
- ! WARNING Ensure that all the locking devices are engaged before use.
- ! WARNING Do not let your child play with this product.
- ! WARNING Check that the pram body or seat unit or infant child restraint attachment devices are correctly engaged before use.
- ! Adult assembly required.
- ! Use the stroller with a child weighing less than 15kg. It will cause damage to the stroller with an unfitted child.
- ! To prevent a hazardous, unstable condition, do not place more than 4.5kg in the storage basket.
- ! The maximum recommended weight of the parent tray is 3lbs (1.36kg).
- ! WARNING! Never leave your child unattended. Always keep child in view while in stroller.
- ! Use the stroller with only one child at a time. Never place purses, shopping bags, parcels or accessory items on the handle or canopy.
- ! Never use accessories, parts or components not produced or approved by the manufacturer. Please read the instruction manual carefully.
- ! Only replacement parts supplied or recommended by the manufacturer / distributor shall be used.
- ! Please read all the instructions in the manual before using the product. Please save instruction manual for future use. Failure to follow these warnings and instructions may result in serious injury or death.
- ! Safety belts and restraint systems must be used correctly.
- ! To avoid serious injury from falling or sliding out, always use seat belt.
- ! Make sure your child's body is clear from the moving parts when adjusting the stroller.
- ! Child may slip into leg openings and be strangled if the harness is not used.
- ! Never use stroller on stairs or escalators.
- ! Keep away from high temperature objects, liquids, and electronics.
- ! Never allow your child to stand on the stroller or sit in the stroller with head toward front of stroller.
- ! Never place the stroller on roads, slopes or dangerous areas.
- ! Do make sure all mechanisms are fixed before using the stroller.
- ! To avoid strangulation, DO NOT place items with a string around your child's neck, suspend strings from this product, or attach strings to toys.
- ! Any load attached to the handle and /or on the back of the backrest and /or on the sides of the vehicle will affect the stability of the vehicle.
- ! DO NOT lift stroller while child is in stroller.
- ! DO NOT use storage basket as a child carrier.

- ! To prevent tipping, never let child climb the stroller. Always lift the child in and out of the stroller.
- ! To avoid finger entrapment, use care when folding and unfolding the stroller.
- ! To avoid injury ensure that your child is kept away when unfolding and folding this product.
- ! To ensure your child's safety, please make sure all parts are assembled and fastened properly before using the stroller.
- ! To avoid strangulation, do make sure your child is clear from the canopy.
- ! Always engage the brakes when parking the stroller.
- ! Discontinue using stroller if it is damaged or broken.
- ! Stroller to be used only at walking speed. This product is not intended for use while jogging.
- ! Do not place any item that may do harm to the baby and stroller in the parent tray.
- ! To avoid suffocation, remove plastic bag and packaging materials before using this product. The plastic bag and packaging materials should then be kept away from babies and children.
- ! This product is not suitable for running or skating.
- ! Pushchair designed to be used from birth shall recommend the use of the most reclined position for new born babies.
- ! The parking device shall be engaged when placing and removing children.
- ! For infant child restraints used in conjunction with a chassis, this vehicle does not replace a cot or a bed. Should your child need to sleep, then it should be placed in a suitable pram body, cot or bed.
- ! Carry cot is only suitable for a child who cannot sit up unaided, roll over and cannot push itself up on its hands and knees. Maximum weight of the child: 9kg.
- ! DO NOT use or add any mattress other than the one supplied with the carry cot.

## Stroller Assembly

Please read all the instructions in this manual before assembling and using this product.

### Open Stroller

see images ① - ②

Separate storage latch from storage mount ①, and then lift the handle upwards ②, a click sound means the stroller is open completely.

- ! Check that the stroller is completely latched before continuing to use.

### Assemble & Detach Front Wheel

see images ③ - ④

## Assemble & Detach Rear Wheels

see images 5 - 6

## Assemble & Detach Armbar

see images 7 - 8

## Assemble Canopy

see images 9 - 10

The completely assembled stroller is shown as 11

# Stroller Operation

## Adjust Backrest

see images 12 - 13

There are 4 recline angles for the backrest.

Recline Backrest

To recline the backrest, squeeze the recline handle on the back of the seat, pull down on the backrest. 12

Raise Backrest

To raise the backrest, push up. 13

! Make sure the recline is set properly for use.

## Use Buckle

see images 14 - 15

Release Buckle

Press the center button to release the buckle. 14

Lock Buckle

Match the waist belt buckle with the shoulder buckle 15 - 1, and click into the center buckle. 15 - 2

A "click" sound means the buckle is locked completely. 15 - 3

! To avoid serious injury from falling or sliding out, always secure your child with harness.

! Make sure your child is snugly secured. The space between the child and the shoulder harness is about the thickness of one hand.

! Do not cross the shoulder belts. This will cause pressure on a child's neck.

## Use Shoulder & Waist Harnesses

see images 16 - 19

! In order to protect your child from falling out, after your child is placed into the seat, check whether the shoulder and waist harnesses are at proper height and length.

16 - 1 Shoulder harness anchor A

16 - 2 Shoulder harness anchor B

16 - 3 Slide adjuster

For larger child, use shoulder harness anchor A and the highest shoulder slots. For smaller child, use shoulder harness anchor B and the lowest shoulder slots.

To adjust the position of the shoulder harness anchor, turn the anchor to be level with the side facing forward. Thread it through the shoulder harness slot from back to front. 17 Rethread it through the slot that is closest to child's shoulder height. 18

Use slide adjuster to change the harness length. 19 - 1

Press the button 19 - 2, while pulling the waist harness to proper length. 19 - 3

## Adjust Calf Support

see images 20

The calf support has 2 positions.

To raise the calf support, push it upwards. A "click" sound means the calf is locked completely.

To lower calf support, press the adjustment buttons on both sides of the calf support 20 - 1, and rotate the calf support downwards. 20 - 2

## Use Front Swivel Lock

see images 21

Push up the front swivel locks to maintain the moving direction. 21

**Tip** It is recommended to use swivel locks on uneven surfaces.

## Use Brake

see images 22 - 23

To lock wheels, step the brake lever downwards. 22

To release wheels, just lift the brake lever upwards. 23

**Tip** Always set the parking brake when stroller is not moving.

## Use Canopy

see images 24

The canopy can be opened or folded, pull it toward front or back.

The canopy can be opened completely to protect your child from the sun uttermostly, just unzip the hook 24, and then pull the canopy toward front.

There is a window on the canopy, through which you can view your baby.

! Total maximum weight of canopy pocket MUST not exceed 0.5kg.

## Fold Stroller

see images 25 - 27

! Please fold the canopy before folding the stroller.

1. Pull the folding webbing upward, the frame will automatically fold backward. 25 - 1



2. The storage latch will automatically hook onto the storage mount, then the stroller is folded and locked completely.
3. The stroller can stand when folded.

## Use Accessories

Accessories may be sold separately or may not be available depending on region.

## Use with Joie Infant Child Restraint

When using with Joie infant child restraint gemm, please refer to the following instructions.

- ! If you have any problems about using the infant child restraint, please refer to their own instruction manuals.
- ! Please don't fold stroller when attaching the infant child restraint.

## Use with Joie Carry Cot

see images

When using with Joie carry cot ramble, please refer to the following instructions.

- ! If you have any problems about using the carry cot, please refer to their own instruction manuals.
- ! Always use the mattress when using the carry cot.
- ! Please don't fold stroller when attaching the carry cot.

## Use Rain Cover

see images

To assemble the rain cover, place it over the stroller, and then attach the 8 pairs of hook and loop fasteners on the rain cover.

- ! Before using the rain cover, please make sure the backrest has been adjusted to the lowest position and the infant child restraint has been fastened.
- ! When using the rain cover, please always check its ventilation.
- ! When not in use, please check that the rain cover has been cleaned and dried before folding.
- ! Do not fold the stroller after assembling the rain cover.
- ! Do not place your child into the stroller assembled with rain cover during hot weather.

## Use Footmuff

see images -

## Use Parent Tray

see images -

- ! Do not place any item that may do harm to the baby and stroller in the parent tray.

## Care and Maintenance

- ! Removable seat pad may be washed in cold water and drip-dried. No bleach.
- ! To clean stroller frame, use only household soap and warm water. No bleach or detergent.
- ! From time to time, check your stroller for loose screws, worn parts, torn material or stitching. Replace or repair the parts as needed.
- ! Excessive exposure to sun or heat could cause fading or warping of parts.
- ! If stroller becomes wet, open canopy and allow to dry thoroughly before storing.
- ! If wheels squeak, use a light oil (e.g., Silicon Spray, antirust oil, or sewing machine oil). It is important to get the oil into the axle and wheel assembly.
- ! When using your stroller at the beach, completely clean your stroller after use to remove sand and salt from mechanisms and wheel assemblies.

# PT Bem-vindo a Joie™

Parabéns para tornar-se parte da família Joie! Estamos muito felizes de participar a sua viagem com sua criança. Enquanto viajar com Joie LITETRAX™4, use um carinho de alta qualidade para as crianças, inteiramente certificado, aprovado pelas normas europeias de segurança EN 1888-2012. Este produto é adequado para crianças com um peso de até 15 kg. Leia com atenção este manual e siga todos os passos para garantir uma viagem confortável e a melhor proteção para sua criança.

## IMPORTANTE - Guardar este manual de instruções para referências futuras.

Visite-nos a [joiebaby.com](http://joiebaby.com) para baixar manuais e para ver mais produtos maravilhosos Joie!

Para informações de garantia, visite nosso website em [joiebaby.com](http://joiebaby.com)

## Conteúdo

Figuras	1-7
AVISOS	19
<b>Montagem carrinho</b>	<b>20</b>
Abertura carrinho	20
Montagem e desmontagem rodas dianteiras	20
Montagem e desmontagem rodas traseiras	21
Montagem e desmontagem cabo	21
Montagem da capota	21
<b>Funcionamento carrinho</b>	<b>21</b>
Ajuste encosto	21
Utilização fivela	21
Utilização cintos para ombro e cintura	21
Ajuste suporte para pernas	22
Utilização dispositivo de bloqueio eixo frontal	22
Utilização do freio	22
Utilização capota	22
Dobramento carrinho	22
Utilização acessórios	23
<b>Cuidado e manutenção</b>	<b>24</b>

## Emergências

Em caso de emergência ou acidente, o mais importante é cuidar da sua criança dando os primeiros socorros imediatos e tratamento médico.

## Informações sobre o produto

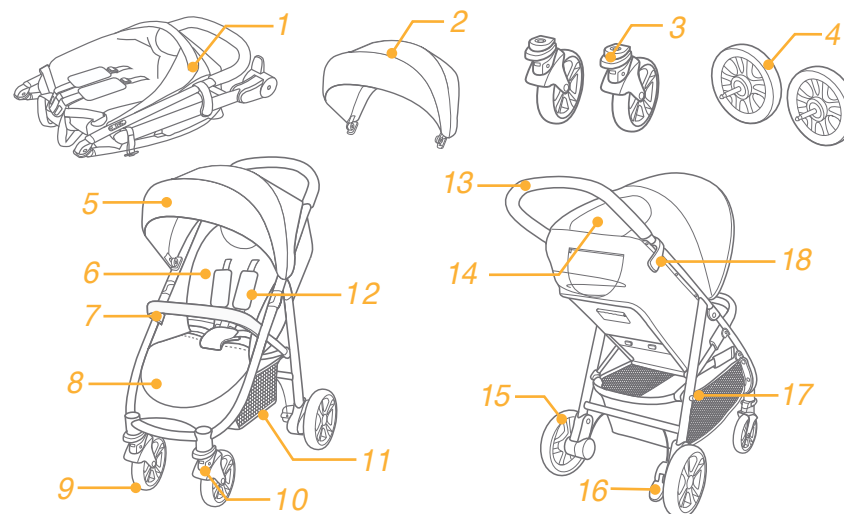
Leia todas as instruções deste manual antes de usar o produto. Se tiver outras perguntas, contacte o seu comerciante. Alguns componentes podem variar segundo o modelo.

<b>Produto</b>	Carrinho para crianças Litetrax™4
<b>Adequado para</b>	criança com peso de até 15 kg (desde o nascimento - 36 meses)
<b>Materiais</b>	Materiais plásticos, metal, tecidos
<b>No. Patente</b>	Pendente
<b>Produzido em</b>	China
<b>Nome marca</b>	Joie
<b>Site-web</b>	<a href="http://www.joiebaby.com">www.joiebaby.com</a>
<b>Fabricante</b>	Joie Childrens Products (UK) Limited

## Lista peças componentes

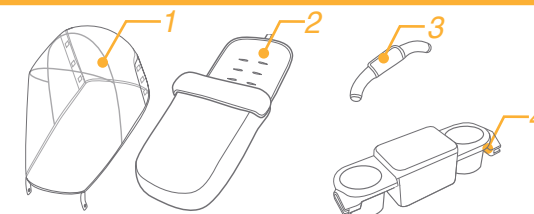
Antes da montagem certifique-se que todas as peças estão disponíveis. Em caso de falta de peças, entre em contato com seu distribuidor local. Não são necessárias ferramentas para a montagem.

- |                   |                                 |                           |  |
|-------------------|---------------------------------|---------------------------|--|
| 1 Quadro carrinho | sentar-se                       | 11 Cesto de armazenamento | 16 Pedal freio                           |
| 2 Capota          | 7 Cabo                          | 12 Cinto para ombro       | 17 Dispositivo de montagem e desmontagem |
| 3 Roda dianteira  | 8 Apoio para pernas             | 13 Cabo                   | 18 Fecho armazenamento                   |
| 4 Rodas traseiras | 9 Roda dianteira                | 14 Janela                 |  |
| 5 Capota          | 10 Dispositivo de bloqueio eixo | 15 Roda dianteira         |  |



## Acessórios (Podem não estar incluídos na compra)

- |                                   |
|-----------------------------------|
| 1 Capa de chuva                   |
| 2 Cobertura para pés              |
| 3 Cobertura da barra de segurança |
| 4 Bandeja                         |



## AVISOS

- ! AVISO Sempre use o sistema de retenção.
- ! ATENÇÃO Use sempre o divisor entrepernas com a cintura. Sugerimos que você use também os arnês para ombro.
- ! AVISO Antes de usar o produto, certifique-se que são ativados todos os dispositivos de bloqueio.
- ! AVISO Não deixe a criança a jogar com o produto.
- ! AVISO Antes de utilização, verifique que os dispositivos de fixação da cadeira e do corpo do carrinho sejam fixados corretamente.
- ! É necessário o montagem por um adulto.
- ! Utilize o carrinho para uma criança com um peso inferior a 15 kg. O uso com uma criança com um peso inadequado pode danificar o assento.
- ! Para evitar situações de risco, instáveis, não coloque mais de 4,5 kg na caixa de armazenamento.
- ! O peso máximo recomendado da bandeja é de 1.36kg/3lbs
- ! Nunca deixe a criança sem supervisão. Sempre que seu filho está no carrinho não deixe-o sem supervisão. Utilize o carrinho para só uma criança
- ! Nunca coloque malotes, sacos de compras, pacotes ou acessórios sobre a alça ou capota.
- ! Em caso de sobrecarga, o dobramento incorreto ou o uso de elementos constituintes de outros fabricantes, isso pode causar danos, ou prejudicar o carrinho.
- ! Leia atentamente o manual de instruções.
- ! Nunca use o carrinho com peças de outros fabricantes.
- ! Leia todas as intruções do manual antes de usar o produto.
- ! Guarde o manual de instruções para referência futura.
- ! A falta de respeito destes avisos e instruções pode levar a lesões graves ou morte.
- ! Os cintos de segurança e os sistemas de fixação devem ser corretamente usados.
- ! Para evitar ferimentos graves causados por quedas ou deslizamento, use sempre cintos de segurança.
- ! Certifique-se que, ao ajustar o carrinho, a criança não esteja ao lado das parte móveis.
- ! A criança pode deslizar através das aberturas para as pernas e pode ser estrangulado, se os cintos de segurança não são usados.
- ! Nunca use o carrinho nas escadas ou nas escadas rolantes.
- ! Mantenha o carrinho longe de objetos de alta temperatura, líquidos e aparelhos eletrônicos. Nunca permita que uma criança levanta-se de pé ou seja sentada com a cabeça orientada para a frente do carrinho.
- ! Nunca deixe o carrinho na rua, em declive ou em áreas de risco.
- ! Certifique-se que todos os mecanismos são fixados antes de usar o carrinho.
- ! Para evitar estrangulamento, NÃO coloque objetos com a cordas ao redor do pescoço da criança, elementos pendentes do produto e não anexe cordas aos brinquedos.
- ! Qualquer carga pendurada à alça e/ou na parte traseira do encosto e/ou nas laterais do veículo afetarão a estabilidade do veículo.
- ! Não levante o carrinho, quando a criança estiver nele.

- ! NÃO utilize o cesto para carregar a criança.
- ! Para evitar a derrubada, nunca deixe sua criança a subir no carrinho.
- ! Levante sempre sua criança quando você estiver remove-o quando coloque-no carrinho.
- ! Para evitar a prensão dos dedos, abrir e dobrar com cuidado o carrinho.
- ! Certifique-se de que este carrinho está completamente aberto ou dobrado antes de permitir á sua criança aproximar-se do carrinho.
- ! Para garantir a segurança da criança, certifique-se de todas as peças estiverem montadas e fixadas bem antes de usar o carrinho.
- ! Para evitar estrangulamento, certifique-se que a criança não estiver perto da capota.
- ! Quando você parar o carro, sempre ativar os freios.
- ! Pare de usar o carrinho se ele estiver danificado ou quebrado.
- ! O Carrinho pode ser utilizado apenas para velocidade da marcha normal. O produto não é destinado para uso durante a corrida.
- ! Para evitar sufocamento, remova todos os sacos e embalagens de plástico antes de usar o produto.
- ! Os sacos e as embalagens em plástico devem ser mantidos longe de bebês e crianças.
- ! Este produto não é destinado para uso durante a corrida ou patinação.
- ! O carrinho é projetado para ser usado desde o nascimento, e para os recém-nascidos é recomendada a posição de inclinação máxima.
- ! O dispositivo de estacionamento deve ser activado quando colocar ou retirar a criança. Para as cadeiras de carro utilizadas junto com o chassis, este veículo não substitui uma cama portátil para crianças ou uma cama.
- ! Se seu filho precisa dormir, coloque-o em um carrinho, cama portátil para crianças ou cama adequado.
- ! Não coloque nenhum artigo que possa causar o dano ao bebê e ao carrinho na bandeja.
- ! O mosés é adequado só para uma criança que não pode levar-se sem ajuda, rolar-se ou levar-se com a ajuda das mãos ou dos joelhos. O peso máximo da criança: 9 kg
- ! NÃO acrescente ou utilize outro colchão que aquilo fornecido junto com o mosés.

## Montagem do carrinho

Leia todas as instruções contidas neste manual antes de montar e usar este produto.

### Abertura do carrinho

ver imagens ① - ②

Separe o fecho de armazenamento do suporte de armazenamento, e leve o cabo acima ①, um clique ② significa que o carrinho está completamente aberto.

! Antes de continuar, verifique se o carrinho está completamente aberto.

### Montagem e desmontagem das rodas dianteiras

ver imagens ③ - ④

## Montagem e desmontagem das rodas traseiras ver imagens 5 - 6

## Montagem e desmontagem cabo ver imagens 7 - 8

## Montagem da capota ver imagens 9 - 10

Á figura 11 está apresentado o carrinho completamente montado

# Funcionamento do carrinho

## Ajuste encosto ver imagens 12 - 13

O encosto tem 4 ângulos.

Para inclinar o encosto aperte a alça de ajuste da parte posterior do assento após puxe do encosto. 12

Para levar o encosto, empurre-o acima. 13

! Certifique-se de que a inclinação está ajustada adequadamente para uso.

## Uso fivela ver imagens 14 - 15

Liberação fivela

Pressione o botão central para liberar a fivela. 14

Bloqueio fivela

Ajuste a fivela para a cintura com a alça para ombro 15 - 1, e insira-os na fivela central. 15 - 2. Um clique significa o bloqueio completo da fivela. 15 - 3

! Sempre fixe a criança com os cintos de segurança, para evitar lesões graves que podem ocorrer em caso de cair ou escorregar.

! Ofereça segurança à sua criança adequadamente. O espaço entre a criança e os cintos de ombro é da espessura de uma mão.

! Não cruze os cintos de ombros. Isso produzirá pressão sobre o pescoço da criança.

## Utilização dos cintos para ombro e cintura ver imagens 16 - 19

! Para proteger a criança de cair, depois de colocá-lo no assento, verifique se os cintos de ombro e cintura são à altura e comprimento adequados.

16 - 1 Dispositivo de fixação arnês para ombro A

16 - 2 Dispositivo de fixação cinto para ombro B

16 - 3 Dispositivo de ajuste por deslizamento

Para uma criança maior, use o dispositivo de fixação do cinto de ombro A e as fendas para ombro as mais altas. Para uma criança menor, use o dispositivo de fixação do cinto de ombro B e as fendas para ombro mais baixas para ombro.

Para ajustar a posição do dispositivo de ajuste do cinto, leve o dispositivo de ajuste ao nível com a parte lateral, orientada para a frente. Tire o dispositivo através do orifício para os cintos de trás para a frente © Ele passe novamente através da ranhura mais próxima altura da criança ombro. 18

Use o dispositivo de ajuste para mudar o comprimento do arnês. 19 - 1

Pressione o botão 19 - 2, enquanto afixe o arnês para cintura ao comprimento adequado. 19 - 3

## Ajuste do suporte para pernas ver imagens 20

O suporte para pernas tem 2 posições. Levar o suporte para pernas

Para levar o suporte para pernas, puxe-o acima. Um clique indica o bloqueio completo do suporte. Baixe o suporte para pernas

Pressione os botões de ajuste nas duas partes do suporte para pernas para baixo 20 - 1, e gire o suporte para pernas para baixo. 20 - 2

## Utilização dispositivo de bloqueio eixo dianteiro ver imagens 21

Puxe os dispositivos de bloqueio do eixo frontal para manter a direção de movimento. 21

**Ponta** Recomenda-se a utilização do dispositivo de bloqueio do eixo em superfícies irregulares.

## Utilização do freio ver imagens 22 - 23

Para bloquear as rodas, pressione o pedal de freio para baixo. 22

Para liberar as rodas, puxe o pedal de freio. 23

**Ponta** Use o freio sempre que o carrinho está parado.

## Utilização capota ver imagens 24

A capota pode ser aberta ou fechada, puxe a capota para a frente ou trás.

A capota pode ser aberta completamente para proteger sua criança por sol, tanto quanto possível, deve apenas desfazer o gancho 24, e após puxe da capota para a frente.

A capota tem uma janela através da qual você pode ver sua criança.

! O peso máximo total do bolso da cobertura NÃO deve exceder 0,5 kg

## Dobramento do carrinho ver imagens 25 - 27

! Por favor dobre a capota antes de dobrar o carrinho.

1. Puxe a rede de dobramento acima, a moldura vai se dobrar automaticamente atrás. 25 - 1

2. O fecho para armazenamento vai se prender automaticamente do suporte de armazenamento, e após o carrinho pode ser dobrado e bloqueado completamente. 26

3. O carrinho de bebê pode ficar em pé quando dobrado. 27

## Utilização acessórios

Os acessórios podem ser comercializadas separadamente ou podem não estar disponíveis dependendo da região.

## Utilização cadeira de carro Joie

À utilização junto com a cadeira de carro Joie gemm consulte as instruções de baixo.

! Se você tiver qualquer problema sobre como usar o dispositivo de retenção infantil, consulte por favor seus próprios manuais de instrução.

! Não dobre o carrinho á afixação da cadeira de carro.

## Use com moisés do carrinho Joie

### ver imagens 29

Ao usar com o moisés do carrinho Joie ramble, por favor consulte as instruções a seguir.

! Se você tiver qualquer problema sobre como usar o moisés do carrinho, consulte por favor seus próprios manuais de instrução.

! Sempre use o colchão quando utilizar o moisés do carrinho.

! Por favor não dobre carrinho quando anexar o moisés.

## Utilização capa de chuva

### ver imagens 30

Para montar a capa de chuva, coloque-a sobre o carrinho e fixe os 8 pares de ganchos, laços e de ilhós na capa de chuva. 30

! Antes de usar a capa de chuva, certifique-se que o encosto foi ajustado para a posição mais baixa e que o assento de carro foi fixado.

! Ao utilizar a capa de chuva, por favor verifique sempre sua ventilação.

! Enquanto a capa de chuva não for utilizada, verifique se foi limpa e seca antes de dobramento.

! Não dobre o carrinho após o montagem da capa de chuva.

! Não coloque sua criança no carrinho com a capa de chuva montada na temporada quente.

## Utilização cobre pés

### ver imagens 31 - 33

## Montagem da bandeja

### ver imagens 34 - 36

! Não coloque nenhum artigo que possa causar o dano ao bebê e ao carrinho na bandeja.

## Cuidado e manutenção

! O acolchoado para o assento removível pode ser lavado com água fria e pode ser secado naturalmente. Sem branqueamento.

! Para limpar o quadro do carrinho, use somente sabão para uso doméstico e água quente. Sem lixívia ou detergentes.

! Verifique periodicamente o carrinho para o desgaste de peças, parafusos soltos, materiais quebrados ou costura. Se necessário, substituir ou reparar as peças.

! A exposição excessiva ao sol ou calor pode produzir descoloração ou a deformidade. ! Se carrinho de criança se torna capô, molhado aberta e deixe secar completamente antes de armazenar.

! Se as rodas rangam, utilize óleo mais leve (por exemplo spray de silicone, óleo anti-ferrugem ou óleo de máquina de costura). É importante introduzir óleo no eixo e no sistema de rodas. 28

! Ao usar o carrinho na praia, limpe-o inteiramente depois da utilização para remover toda a areia e sal dos mecanismos e das assambléias das rodas.

# ES Bienvenido a Joie™

Gracias por ser parte de la familia Joie, estamos muy felices de ser parte de este viaje con tu pequeño. Mientras viajas con el Coche Joie Litetrax™4, usted estará utilizando la más alta calidad. Completamente certificada y aprobada por los estándares Europeos EN 1888-2012. Este producto es ajustable para niños por debajo de los 15 kg. Por favor lea este manual y siga las instrucciones paso a paso para asegurar un viaje seguro y la mejor protección para su bebé

## IMPORTANTE - Guarde estas instrucciones para referencias futuras.

Visítenos en [joiebaby.com](http://joiebaby.com) para descargar manuales de instrucciones y para ver más productos extraordinarios Joie!

Para información sobre la garantía, por favor visite nuestra web [joiebaby.com](http://joiebaby.com)

## Contenido

Figuras	1-7
ADVERTENCIAS	27
AJUSTE DEL COCHE	28
Abra el coche	28
Montaje y desmontaje las ruedas frontales	28
Montaje y desmontaje las ruedas traseras	29
Montaje y desmontaje la barra frontal	29
Ensamble de la cubierta	29
OPERACIÓN DEL COCHE	29
Ajuste el respaldo	29
Utilice la hebilla	29
Uso del arnés de los hombros y la cintura	29
Ajuste del soporte	30
Utilice el seguro de la rueda frontal giratoria	30
Uso del freno	30
Uso del toldo	30
Plegado del Coche	30
Uso de los accesorios	30
Cuidado y Mantenimiento	32

## Emergencia

En caso de emergencia o accidente, lo mas importante es darle a su bebé, primero auxilios y atención médica Inmediata

## INFORMACIÓN DEL PRODUCTO

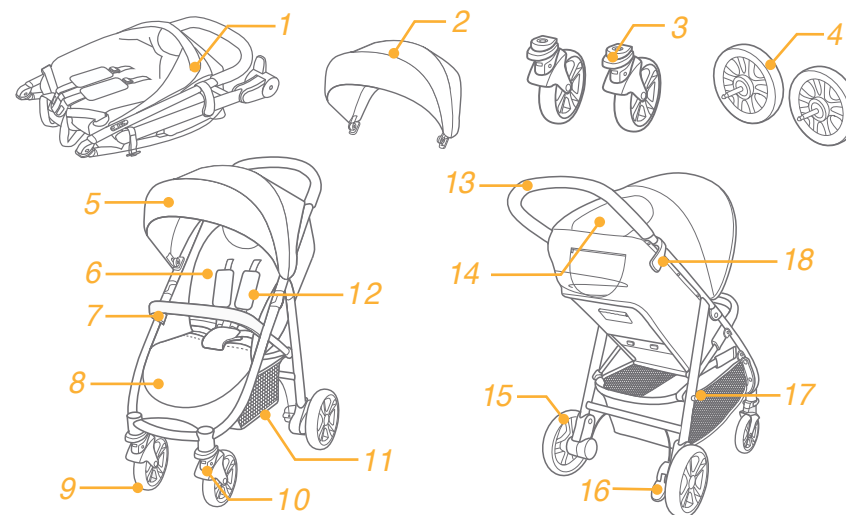
Lea y entienda el siguiente instructivo y conserve para futuras referencias, si tiene alguna pregunta adicional sobre el producto consulte al fabricante. Algunos accesorios o características del producto pueden variar levemente según el modelo.

<b>Producto:</b>	Coche Litetrax™4
<b>Recomendado:</b>	Niños que pesen menos de 15 kg ( 0 . 36 m)
<b>Materiales:</b>	Plástico, metal, tela
<b>Número de Patente:</b>	Pendiente
<b>Hecho en:</b>	China
<b>Marca:</b>	Joie
<b>Website:</b>	<a href="http://www.joiebaby.com">www.joiebaby.com</a>
<b>Fabricante:</b>	Joie Childrens Products (UK) Limited

## Lista de partes

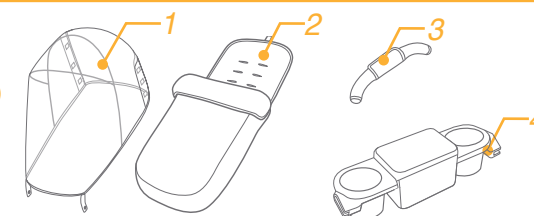
Asegúrese que todas las piezas para el ensamble están disponibles. Si faltan piezas, contacte el comerciante local. No se necesitan utensilios para el ensamblaje.

1 Marco del coche	6 Funda giratoria	11 Canastilla	15 Llanta trasera
2 Cubierta	7 Barra frontal	12 Arnés de los hombros	16 Freno
3 Llanta frontal	8 Posa Piernas	13 Mango	17 Montura de anclaje
4 Llanta trasera	9 Llanta Frontal	14 Ventanilla	18 Seguro de Plegado
5 Cubierta	10 Seguro para llanta		



## Accesorios (es posible que no se incluyan con la compra)

- 1 Cubre lluvia
- 2 Cubierta para los pies
- 3 Protector del reposabrazos
- 4 bandeja para padres



## ADVERTENCIAS

- ! ATENCIÓN Utilice siempre los arneses.
- ! CUIDADO Siempre utilice el sistema de arnés y cinturones.
- ! ATENCIÓN Asegúrese de que todos los seguros se ajusten correctamente antes de utilizar.
- ! ATENCIÓN No permita que su hijo juegue con este producto.
- ! ATENCIÓN Verifique que los dispositivos de sujeción del capazo, el asiento o la silla de automóvil están correctamente anclados antes del uso.
- ! Este producto debe ser armado por un adulto responsable.
- ! Utilice este producto para niños que pesen menos de 15 kg. Hacer caso omiso del peso que soporta el producto provocará que se dañe el coche.
- ! Para evitar accidentes o una condición inestable del producto no coloque más de 4.5 kg en la canastilla.
- ! El peso máximo recomendado para la bandeja de los padres es de 1,36 kg / 3lbs.
- ! NUNCA deje al niño desatendido. Siempre supervise el uso del producto.
- ! SOLO utilice el producto con un niño a la vez. Evite colocar elementos adicionales en el coche como bolsas o paquetes que puedan hacer inestable la movilidad del producto.
- ! Sobre cargar, plegar incorrectamente o utilizar accesorios no recomendados por el fabricante pueden dañar el buen funcionamiento del producto haciendo inseguro el coche. Por favor lea y entienda este instructivo para operar correctamente el coche, la garantía no cubre daños por mal uso del producto.
- ! No utilice este producto con accesorios de otro fabricante.
- ! Lea y entienda el instructivo para la correcta operación del coche y conserve para futuras referencias. No utilizar el producto como se recomienda en el manual puede significar, daños severos o incluso la muerte.
- ! Por favor lea y entienda el manual de instrucciones antes de utilizar el producto. Por favor guárdelo para futuras referencias, Hacer caso omiso de esta advertencia y todas las contenidas en el instructivo pueden ser causa de daño severo o incluso la muerte.
- ! Los cinturones de seguridad deben ser usados correctamente.
- ! Para evitar lesiones serias por caídas o resbalones siempre utilice el cinturón de seguridad.
- ! Asegúrese de que su niño se encuentre alejado de partes móviles cuando ajuste el coche.
- ! El niño puede caer por las aberturas de las piernas causando un accidente grave con el arnés, si este no está en uso.
- ! Nunca utilice el coche en escaleras, escaladoras o desniveles.
- ! Mantenga el producto alejado de altas temperaturas, líquidos y/o aparatos electrónicos.
- ! No permita que el niño se levante en el asiento del coche o que se siente con la cabeza mirando al frente.
- ! Nunca coloque el coche en caminos o en áreas peligrosas.
- ! Verifique que todas las piezas y mecanismos estén ajustados correctamente antes de utilizar el producto.

- ! Para evitar estrangulación NUNCA coloque cosas alrededor del cuello del niño o algún elemento que pueda ser peligroso como cintas o cordones.
- ! Cualquier carga situada en el asa, en la parte trasera del respaldo o a los lados de la silla afectará a la estabilidad de la misma.
- ! NUNCA levante el producto con el niño dentro del coche.
- ! No utilice la canastilla para llevar al niño.
- ! Para prevenir volcadura del coche, No deje que el niño suba por sí solo al producto, SIEMPRE levante al niño cuando coloque o saque al niño en el coche.
- ! Evite que los dedos se atrapen, Siempre tenga cuidado cuando se pliegue o arme el producto.
- ! Asegúrese de que el coche está abierto o cerrado completamente antes de acercarse al niño al producto.
- ! Para verificar la seguridad de su bebé, revise que todas las partes estén armadas y ajustadas correctamente y que operen de modo correcto.
- ! Evite estrangulación, asegúrese de que el bebé se encuentra separado del toldo.
- ! Siempre coloque los frenos cuando el coche se encuentre detenido.
- ! No utilice el producto si se encuentra con algún daño o está rota.
- ! Este producto no es para correr, su uso es para velocidad de caminar.
- ! Evite sofocación, mantenga alejado completamente el embalaje y las bolsas del niño.
- ! Este producto no es para correr o patinar.
- ! El diseño del coche puede ser utilizado para niños recién nacidos, siempre utilice la máxima inclinación hasta que el bebé soporte su cabeza por sí solo.
- ! Cuando coloque o saque al niño del producto, siempre debe colocar los frenos.
- ! La silla de auto utilizada junto con el marco del coche, NO REEMPLAZA el moisés, la cuna o la cama. Si el niño necesita dormir colóquelo en un lugar apropiado para esto.
- ! En la bandeja para padres, no ponga ningún objeto que puede provocar daños al niño o que puede deteriorar la carriola.
- ! El capazo es adecuado únicamente para un bebé que no pueda sentarse sin ayuda, girarse o levantarse sobre sus manos y/o rodillas. El peso máximo del bebé no debe exceder los 9 Kg.
- ! No use o añada otro colchón diferente al que se proporciona con el capazo.

## ARMADO DEL COCHE

Por favor lea y entienda todas las instrucciones de este manual antes de operar el producto.

### ABRIR EL COCHE

consulte las imágenes ❶ - ❷

Libere el seguro ❶ y levante el mango hacia arriba ❷ cuando suene un "Click" significará que el producto está correctamente ajustado.

! Verifique que el coche se encuentre completamente abierto antes de continuar.

## Montaje y desmontaje LAS LLANTAS FRONTALES

consulte las imágenes 3 - 4

## Montaje y desmontaje LAS LLANTAS TRASERAS

consulte las imágenes 5 - 6

## Montaje y desmontaje la barra frontal

consulte las imágenes 7 - 8

## Ensamble de la cubierta

consulte las imágenes 9 - 10

En la figura 11 se presenta la carriola ensamblada

# FUNCIONAMIENTO DEL COCHE

## Reclinación del respaldo

consulte las imágenes 12 - 13

Existen 4 ángulos para el respaldo.

Para inclinar el respaldo tire el mango de ajuste del lado trasero del asiento y tire el respaldo. 12

Para levantar el respaldo, tire hacia arriba. 13

! Verifique que la reclinación es correcta para su uso.

## UTILICE LA HEBILLA

consulte las imágenes 14 - 15

Libere la hebilla

Presione el botón central para liberar la hebilla. 14

Ajuste la hebilla

Coloque ambos lados de los seguros de los hombros 15 - 1 y ajuste en la hebilla central 15 - 2

Cuando escuche un "Clic" significa que está ajustada correctamente. 15 - 3

! Para evitar accidentes serios por caídas o resbalones siempre utilice el arnés

! Asegúrese que el sistema de arnés está cómodamente ajustado el espacio entre el cinturón y el cuerpo del niño debe ser aproximadamente del grosor de un dedo.

! Nunca cruce los cinturones de los hombros ya que causarán presión al cuello del niño.

## UTILICE EL ARRNÉS DE LOS HOMBROS Y LA CADERA

consulte las imágenes 16 - 19

! Para proteger al su bebé por caídas o resbalones, después de que su hijo esté colocado en la silla de auto, verifique que el arnés esté correctamente colocado.

16 - 1 Ancho del arnés de los hombros A

16 - 2 Ancho del arnés de los hombros B

16 - 3 Ajuste

Para un niño más alto utilice el "Ancho del arnés de los hombros A" y la posición más alta de los orificios de los hombros. Para un niño más chico Utilice el "ancho del arnés de los hombros B" y la posición más baja de los orificios de los hombros.

Para ajustar la posición del "ancho del arnés de los hombros" gire para ajustar en la posición mirando al frente. Ajuste a través de el orificio del ajuste del arnés de atrás hacia a delante 17 ajuste a la altura más cercana a los hombros del bebé. 18

Utilice el ajuste lateral para cambiar el largo del arnés 19 - 1

Presione el botón 19 - 2 Mientras Jala el arnés del la cadera a la posición correcta 19 - 3

## AJUSTE EL POSAPIÉS

consulte las imágenes 20

El ajuste para pies tiene 2 posiciones

Levante el posapiés

Para levantar el posapiés, solo presione hacia arriba. Y al escuchar un "Click" significa que está ajustado

Bajar el posapiés

Para realizar el ajuste hacia abajo del posapiés presione los botones en ambos lados del posapiés 20 - 1

y rote hacia abajo para su ajuste. 20 - 2

## UTILICE EL SEGURO PARA LA LLANTA FRONTAL GIRATORIA

consulte las imágenes 21

Presione el seguro para mantener una dirección en la llanta frontal giratoria. 21

**Consejo** Se recomienda que se utilice el seguro de la rueda giratoria en superficies inestables.

## UTILICE LOS FRENOS

consulte las imágenes 22 - 23

Para asegurar los frenos pise el pedal para el freno. 22

Para liberar levante el pedal del freno. 23

**Consejo** Siempre utilice los frenos cuando el producto esté detenido.

## UTILICE EL TOLDO

consulte las imágenes 24

El toldo puede abrirse o cerrarse, si lo empuja o jala hacia el frente o hacia atrás

Si necesita que el toldo este completamente cerrado para proteger a su hijo, libere el cierre para cubrir más 24

El toldo cuenta con una ventanilla que sirve para poder observar al niño durante el paseo .

! El peso máximo del bolsillo de capucha NO deberá exceder los 0,5 kg

## PLEGADO DEL COCHE

consulte las imágenes 25 - 27

! PPara plegar el coche, primero cierre el toldo.

1. jale la cinta de plegado en el asiento y éste se plegará automáticamente 25 - 1



2. El seguro de plegado se activa automáticamente verifique finalmente si el coche está plegado por completo. **26**
3. El cochecito puede mantenerse de pie cuando se pliega. **27**

## USO DE ACCESORIOS

Los accesorios pueden ser vendidos por separado o puede no estar disponible dependiendo de la región.

### Uso con la silla de seguridad Joie

Cuando utilice esta silla con la silla infantil Gemm de Joie siga estas instrucciones

- ! Si tiene dudas acerca de cómo utilizar la silla de seguridad consulte su propio manual.
- ! No pliegue la silla con la silla infantil de seguridad instalada.

### Uso con el capazo Joie

#### consulte las imágenes **29**

Cuando se utilice con el capazo Joie Ramble consulte las siguientes instrucciones.

- ! Si tiene alguna duda al utilizar el capazo debe consultar el manual de instrucciones del mismo.
- ! Utilice siempre el capazo con el colchón suministrado.
- ! Por favor, no pliegue la silla de paseo con el capazo instalado.

## UTILICE EL COBERTOR DE LLUVIA

### consulte las imágenes **30**

Para ensamblar la cubierta contra la lluvia, póngala sobre la carriola y después adjunte 8 parejas de ganchos y anillos de sujeción y 2 parejas de grapas para la cubierta contra la lluvia. **30**

- ! Antes de utilizar el protector de lluvia verifique que el respaldo ha sido colocado en su posición más baja y la silla de auto bien ajustada y asegurada
- ! Cuando utilice el protector de lluvia siempre verifique la ventilación
- ! Cuando no la utilice verifique que esta completamente seca y limpia
- ! No pliegue el coche con el protector de lluvia colocado
- ! No coloque al niño en el coche, con el protector de lluvia cuando sea un día soleado o caluroso

## USO DEL PROTECTOR DE PIES

### consulte las imágenes **31** - **33**

### Montaje de la bandeja para padres

#### consulte las imágenes **34** - **36**

- ! En la bandeja para padres, no ponga ningún objeto que puede provocar daños al niño o que puede deteriorar la carriola.

## CUIDADO Y MANTENIMIENTO

- ! El cojinete para el asiento se puede lavar con agua fría y secado rápidamente. Sin blanqueador.
- ! Para limpiar el cuadro de la carriola, use solamente jabón de casa y agua caliente. Sin blanqueador o detergente.
- ! De vez en cuando, verifique su carriola si hay tornillos sueltos, piezas usadas, materiales rotos o puntadas. Reemplace o repare las piezas si es necesario.
- ! Una exposición excesiva al sol o al calor puede causar la degradación o la deformación de las piezas.
- ! Si la carriola se moja, abra la cubierta y déjela secarse muy bien antes de almacenamiento.
- ! Si las ruedas chirrían, use un aceite ligero (por ejemplo, espray con silicio, aceite antioxidante, o aceite por máquina de coser). Es importante poner el aceite dentro del eje y el ensamble de la rueda. **28**
- ! Cuando se usa la carriola en la playa, limpie completamente su carriola después del uso y quite la arena y la sal de los mecanismos y de los ensambles de la rueda.

Félicitations pour être devenu partie de la famille Joie ! Nous sommes très heureux de faire partie de la vie avec votre enfant. Lorsque vous voyagez avec Joie Litetrax™4, vous utilisez une poussette de bonne qualité, complètement attestée, approuvée aux standards européens de sécurité EN 1888-2012. Ce produit correspond à l'usage pour les enfants qui pèsent moins de 15kg. Lisez attentivement ce manuel et suivez chaque étape pour assurer un voyage confortable et la meilleure protection à votre enfant.

## IMPORTANT – Gardez ces instructions pour les consulter dans l'avenir.

Visitez-nous sur [joiebaby.com](http://joiebaby.com) pour télécharger des manuels et pour visualiser plusieurs produits extraordinaires de Joie!

Pour plus d'informations sur le service de garantie, veuillez consulter notre site Web à l'adresse suivante : [www.joiebaby.com](http://www.joiebaby.com)

## Table des matières

Figures	1-7
MISES EN GARDE	35
<b>Ensemble de la poussette</b>	<b>36</b>
Ouverture de la poussette	36
Assembler et Détacher la roué avant	37
Assembler et Détacher la roue arrière	37
Assembler et Détacher l'accoudoir	37
Assembler le baldaquin	37
<b>Utilisation de la poussette</b>	<b>37</b>
Régler le dossier	37
Utilisation de la boucle	37
Utiliser le harnais pour les épaules et la ceinture	37
Régler le Repose-Jambes	38
Utiliser le loquet pour le pivot avant	38
Utiliser le frein	38
Utiliser le baldaquin	38
Plier la poussette	38
Utiliser les accessoires	39
<b>Soins et entretien</b>	<b>40</b>

## Cas d'urgence

Au cas d'une émergence ou d'un accident, la chose la plus importante est le soin de votre enfant par lui offrir les premiers soins ou un traitement médical immédiat.

## Informations sur le produit

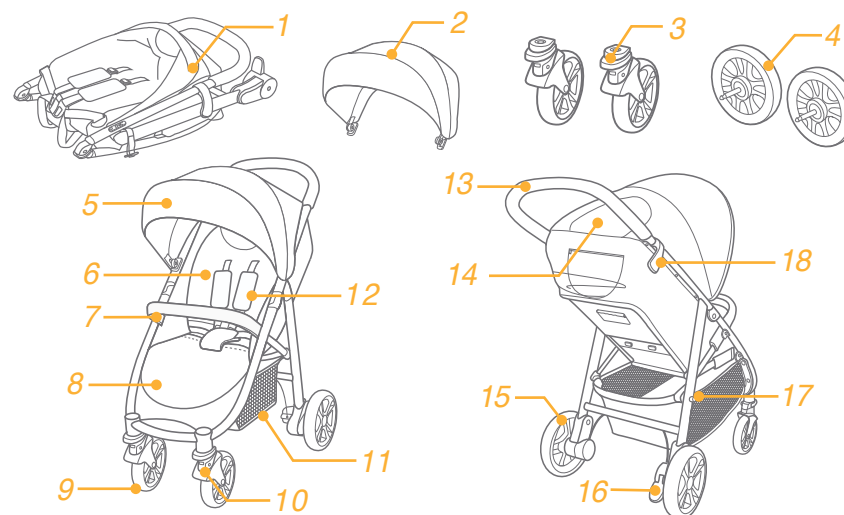
Lisez attentivement les instructions de ce manuel avant d'utiliser le produit. Si vous avez d'autres questions, consultez s'il vous plaît, le commerçant. De telles caractéristiques peuvent varier d'un produit à l'autre.

<b>Produit</b>	Poussette Litetrax™4
<b>Adéquat pour</b>	Des enfants au poids moins de 15kg (naissance - 36 mois)
<b>Matériaux</b>	Plastique, métal, tissus
<b>No. brevet</b>	Brevet en cours d'agrément
<b>Fabriqué en</b>	Chine
<b>Nom de la marque</b>	Joie
<b>Page Web</b>	<a href="http://www.joiebaby.com">www.joiebaby.com</a>
<b>Fabricant</b>	Produits pour les enfants Joie (UK) Limited

## Liste des composants

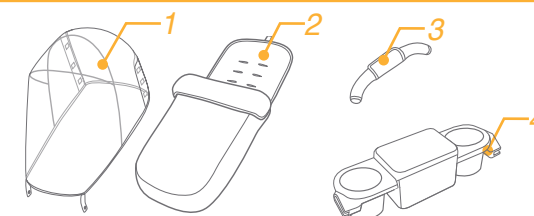
Assurez-vous que toutes les pièces sont disponibles avant l'assemblage. Si une pièce manque, contactez le fabricant local. Les outils ne sont requis pour l'assemblage.

1 Armature poussette	6 Coussin	11 Porte-bagages	16 Levier freins
2 Baldaquin	7 Accoudoir	12 Harnais épaules	17 Armature rangement
3 Roues avant	8 Repose-jambes	13 Poignée	18 Loquet rangement
4 Roues arrière	9 Roue avant	14 Fenêtre	
5 Baldaquin	10 Loquet du pivot	15 Roue arrière	



## Accessoires (Peuvent ne pas être inclus lors de l'achat)

- 1 Housse pour la pluie
- 2 Housse pour les pieds
- 3 Housse bar à mains
- 4 Plateau pour les parents



## MISES EN GARDE

- ! MISE EN GARDE Utilisez toujours une coque siège auto.
- ! MISE EN GARDE Utilisez toujours la combinaison d'entrejambes avec la ceinture. Le harnais pour les épaules doit être aussi utilisé.
- ! MISE EN GARDE Assurez-vous que tous les dispositifs de blocage sont enclenchés avant d'utiliser le produit.
- ! MISE EN GARDE Ne permettez pas à l'enfant de jouer avec ce produit.
- ! MISE EN GARDE Vérifiez si l'armature de la poussette ou l'unité du siège sont correctement enclenchés avant d'utiliser le produit.
- ! L'assemblage doit être réalisé par un adulte.
- ! Utilisez la poussette avec un enfant qui pèse moins de 15 kg. L'utilisation avec un enfant plus grand peut endommager la poussette.
- ! Pour prévenir une condition dangereuse, instable, ne rangez plus de 4,5 kg dans le porte-bagages.
- ! Le poids maximum recommandé est de 1.36kg/3lbs.
- ! Ne laissez pas l'enfant sans surveillance. Surveillez toujours l'enfant lorsqu'il se trouve dans la poussette.
- ! Utilisez la poussette seulement avec un enfant à la fois. Ne rangez pas des sacs à main, des bourses d'achats, des colis ou d'autres accessoires sur la poignée ou le baldaquin.
- ! Le surcharge, le pliage incorrecte, ou l'utilisation des composants d'autres fabricants peut endommager, briser ou rendre instable la poussette. Veuillez lire attentivement le mode d'emploi.
- ! Ne l'utilisez jamais avec des composants d'autres fabricants.
- ! Veuillez lire toutes les instructions du manuel avant d'utiliser ce produit. Veuillez garder le mode d'emploi pour consultation dans l'avenir. Manquer de suivre ces mises en garde et ces instructions peut entraîner des blessures graves ou le décès.
- ! Les ceintures de sécurité et les systèmes de retenue doivent être utilisés correctement.
- ! Afin d'éviter des blessures graves à cause des chutes ou des glissements, utilisez toujours la ceinture pour le siège.
- ! Assurez-vous que le corps de votre enfant n'est pas dans la proximité des parties mobiles lorsque vous réglez la poussette.
- ! L'enfant peut glisser dans les ouvertures pour les jambes et peut s'étrangler si le harnais n'est pas utilisé.
- ! N'utilisez jamais la poussette sur des marches ou des élévateurs.
- ! Gardez à distance des objets à températures hautes, des liquides et des objets électroniques.
- ! Ne permettez jamais à votre enfant de rester debout dans la poussette ou de rester assis dans la poussette la tête vers la partie avant de la poussette.
- ! Ne stationnez jamais la poussette sur les rues, les pentes inclinées ou les zones dangereuses.
- ! Assurez-vous que tous les mécanismes sont fixés avant d'utiliser la poussette.
- ! Pour éviter l'étranglement, NE mettez pas des objets avec des ficelles

autour du cou de l'enfant, suspendez les ficelles de ce produit ou attachez les ficelles aux jouets.

- ! Pour prévenir le renversement, NE rangez rien sur la poignée.
- ! NE levez pas la poussette lorsque l'enfant se trouve dans la poussette.
- ! N'utilisez pas le porte-bagages pour porter l'enfant.
- ! Pour prévenir le renversement, ne laissez jamais l'enfant monter dans la poussette. Levez toujours l'enfant de et dans la poussette.
- ! Pour éviter de coincer les doigts, prenez soin lorsque vous pliez ou dépliez la poussette.
- ! Assurez-vous que le produit est complètement ouvert ou plié avant de laisser l'enfant dans sa proximité.
- ! Pour assurer la sécurité de l'enfant, assurez-vous que toutes les composants sont assemblées et enclenchées proprement avant d'utiliser la poussette.
- ! Pour éviter l'étranglement, assurez-vous que vous tenez l'enfant loin du baldaquin.
- ! Activez toujours les freins lorsque vous parquez la poussette.
- ! Arrêtez l'usage de la poussette si elle devient endommagée ou brisée.
- ! La poussette sera utilisée seulement pour la vitesse de la marche. Ce produit n'est pas conçu pour usage pendant la course à pied.
- ! Pour éviter l'étouffement, enlever la bourse en plastique et les matériaux pour l'emballage avant d'utiliser le produit. La bourse en plastique et les matériaux pour l'emballage doivent puis être tenus hors de la portée des bébés et des enfants.
- ! Ce produit n'est pas adéquat pour usage pendant une course à pied ou pendant une promenade avec les patines.
- ! La poussette pour les nouveau-nés est recommandée à être utilisé dans la position inclinée la plus basse pour les nouveau-nés.
- ! Le dispositif de stationnement doit être activé pour asseoir ou lever l'enfant.
- ! Ne rangez pas d'articles qui peuvent blesser l'enfant ou endommager la poussette sur le plateau pour les parents.
- ! Pour les porte-bébés utilisés en combinaison avec un support, ce véhicule ne remplace pas un lit pour les enfants. Au cas où votre enfant doit dormir, alors il faut l'asseoir dans une poussette, un petit lit ou un lit adéquat.
- ! La nacelle correspond seulement pour un enfant qui ne peut pas se tenir droit sans aide, qui ne peut pas rouler et se lever lui-même sur ses bras et genoux. Le poids maximum de l'enfant: 9 kilos
- ! N'utilisez et n'ajoutez pas un matelas autre que celui fourni avec la nacelle.

## Assemblage de la poussette

Veuillez lire tous les instructions de ce manuel avant d'assembler et utiliser ce produit.

### Ouverture de la poussette voir les images ① - ②

Séparez le loquet de rangement du support de rangement ①, et puis levez la poignée en haut ②, un clac signifie que la poussette est maintenant complètement ouverte.

- ! Assurez-vous que la poussette est complètement ouverte avant de continuer.

## Assembler et Détacher la roué avant voir les images 3 - 4

## Assembler et Détacher la roue arrière voir les images 5 - 6

## Assembler et Détacher l'accoudoir voir les images 7 - 8

## Assembler le baldaquin voir les images 9 - 10

La poussette complètement assemblée est montrée dans 11

# Utilisation de la poussette

## Réglage du dossier voir les images 12 - 13

Il y a 4 angles pour le dossier.

Pour l'inclinaison du dossier, resserrez la manche d'inclinaison sur l'arrière du siège tirez vers le bas le dossier. 12

Para levantar el respaldo, tire hacia arriba. 13

! Assurez-vous que l'angle d'inclinaison est proprement réglé pour être utilisé.

## Utilisation de la boucle voir les images 14 - 15

Dégagement de la boucle

Pressez le bouton central pour dégager la boucle. 14

Enclenchement de la boucle

Ajustez la boucle de la ceinture de retenue avec celle pour les épaules 15 - 1, et introduisez-les dans la boucle au milieu. 15 - 2 Un «clic» signifie le verrouillage complet de la boucle. 15 - 3

! Pour éviter des blessures graves à cause de la chute ou du glissement de la poussette, attachez toujours l'enfant avec le harnais.

! Assurez-vous que l'enfant est bien attaché de manière confortable. L'espace entre l'enfant et la ceinture pour les épaules est d'environ l'épaisseur de la paume.

! Ne croisez pas les ceintures pour les épaules. Ceci entraîne de la pression sur le cou de l'enfant.

## Utiliser le harnais pour les épaules et la ceinture pour la retenue voir les images 16 - 19

! Pour protéger l'enfant afin de ne pas tomber de la poussette, après avoir assis l'enfant dans le siège, vérifiez si les harnais pour les épaules et la ceinture pour la retenue ont la hauteur et la longueur correspondante.

16 - 1 Ancre A du harnais pour les épaules

16 - 2 Ancre B du harnais pour les épaules

16 - 3 Dispositif pour régler le glissement

Pour un enfant plus grand, utilisez ancre A du harnais pour les épaules et les espaces les plus hauts pour les épaules. Pour un enfant plus petit, utilisez ancre B du harnais pour les épaules et les espaces les plus bas pour les épaules.

Pour régler la position de l'ancre pour le harnais pour les épaules, tournez l'ancre pour arriver au même niveau avec la partie face avant. Passez-le par l'espace pour le harnais pour les épaules de la partie derrière vers la partie avant 17 Passez-le de nouveau par l'espace le plus proche de la hauteur des épaules de l'enfant. 18

Utilisez le dispositif de réglage du glissement pour modifier la longueur du harnais. 19 - 1

Serrez le bouton 19 - 2, en tirant au même temps de la ceinture de retenue jusqu'à la longueur adéquate. 19 - 3

## Régler le support pour les jambes voir les images 20

Le support pour les jambes a 2 positions.

Lever le support pour les jambes

Pour lever le support pour les jambes, seulement pousser-le en haut. Un clac signifie que le support pour les jambes est complètement enclenché.

Descendre le support pour les jambes

Pressez les boutons de réglage des deux cotées du support pour les jambes 20 - 1, et tournez le support pour les jambes en bas. 20 - 2

## Utiliser le loquet pour le pivot avant voir les images 21

Poussez en bas le loquet pour le pivot avant pour maintenir la direction de mouvement. 21

**Conseil** Il est recommandé d'utiliser les loquets pour les pivots sur des surfaces irrégulières.

## Utilisez les freins voir les images 22 - 23

Pour bloquer les roues, appuyez le pied sur la pédale des freins. 22

Pour libérer les roues, seulement levez la pédale des freins. 23

**Conseil** Enclenchez toujours le frein lorsque la poussette est en position de stationnement.

## Utilisez le baldaquin voir les images 24

Le baldaquin peut être ouvert ou plié, tirez-le en avant ou en arrière.

Le baldaquin peut être complètement ouvert pour protéger votre enfant du soleil le plus possible, simplement ouvrez la fermeture en éclair du crochet 24, et puis tirez le baldaquin en avant.

Il y a une fenêtre sur le baldaquin, par laquelle vous pouvez voir votre enfant.

! Le poids maximal de la poche de la capote ne DOIT pas dépasser 0,5 kg

## Plier la poussette

### voir les images 25 - 27

! Veuillez plier le baldaquin avant de plier la poussette.

1. Tirez les sangles pour le pliage en haut, l'armature pliera automatiquement en arrière. 25 - 1
2. Le loquet pour rangement s'accrochera automatiquement sur le support pour le rangement, puis la poussette est pliée et bloquée complétement. 26
3. La poussette peut tenir debout quand elle est pliée. 27

## Utiliser les accessoires

Les accessoires peuvent être vendus séparément ou peuvent ne pas être disponibles selon la région.

## Utiliser avec le siège de voiture de Joie

Lorsque vous utilisez le Siège de Voiture de Joie gemm, veuillez consulter les instructions suivantes.

- ! Si vous rencontrez des difficultés pour l'utilisation de la coque, merci de vous reporter au manuel d'instructions.
- ! Ne repliez pas la poussette lorsque vous fixez la coque.

## Utilisation avec une nacelle Joie

### voir les images 28

Reportez-vous aux instructions suivantes pour l'utilisation de la nacelle Joie ramble.

- ! Si vous rencontrez des problèmes concernant l'utilisation de la nacelle, veuillez consulter son manuel d'utilisation.
- ! Utilisez toujours le matelas avec la nacelle.
- ! Veuillez ne pas plier la poussette lors de la fixation de la nacelle.

## Utiliser la housse pour la pluie

### voir les images 30

Pour assembler la housse pour la pluie, rangez-la sur la poussette et puis attachez les 8 paires de bandes Velcro sur la housse pour la pluie. 30

- ! Avant d'utiliser la housse pour la pluie, assurez-vous que le dossier a été réglé dans la position la plus basse et que le siège pour l'enfant a été enclenché.
- ! Lorsque vous utilisez la housse pour la pluie, veuillez toujours vérifier sa ventilation.
- ! Lorsque vous n'utilisez pas la housse, vérifiez si la housse pour la pluie a été nettoyée et séchée avant d'être pliée.
- ! Ne pliez pas la poussette après avoir assemblé la housse pour la pluie.
- ! Ne mettez pas l'enfant dans la poussette assemblée avec la housse pour la pluie lors du temps chaud.

## Utiliser la chancelière

### voir les images 31 - 33

## Utiliser le plateau pour les parents

### voir les images 34 - 36

- ! Ne rangez pas d'articles qui peuvent blesser l'enfant ou endommager la poussette sur le plateau pour les parents.

## Soins et maintien

- ! Le coussin détachable pour le siège peut être lavé dans l'eau froide et séché sans avoir des plis. Sans blanchisseur.
- ! Pour nettoyer l'armature de la poussette, utilisez seulement du savon de ménage ou de l'eau chaude. Sans blanchisseur ou détergent.
- ! Vérifiez périodiquement la poussette pour des vis desserrées, pièces usagées, tissu ou couture déchiré. Remplacez ou réparez les composants au besoin.
- ! L'exposition excessive au soleil ou à la chaleur peut déterminer la décoloration ou la déformation des composants.
- ! Au cas où la poussette est humide, ouvrez le baldaquin et laissez-le sécher complètement avant de le ranger.
- ! Si les roues grincent, utilisez une huile légère (par exemple, pulvérisation avec silicone, huile contre la rouille, ou huile pour la machine à coudre). Il est important de mettre de l'huile dans le système de roues ou l'essieu. 28
- ! Lorsque vous utilisez la poussette sur la plage, nettoyez-la complètement après pour enlever le sable et le sel des mécanismes et les systèmes de roues.

Glückwunsch, dass Sie ein Mitglied der Joie-Familie werden! Wir freuen uns sehr, Ihr kleines Kind auf Reisen zu begleiten. Beim Reisen mit dem Joie LITETRAX™4 benutzen Sie einen erstklassigen, umfassend zertifizierten Kinderwagen, der gemäß dem europäischen Sicherheitsstandard EN 1888-2012 zugelassen ist. Dieses Produkt eignet sich für Kinder mit einem Gewicht von unter 15 kg. Bitte lesen Sie diese Anleitung aufmerksam und befolgen die einzelnen Schritte zur Sicherstellung einer komfortablen Fahrt und einer optimalen Sicherheit Ihres Kindes.

## WICHTIG - Bewahren Sie diese Anleitung für eine spätere Bezugnahme auf.

Besuchen Sie uns unter [joiebaby.com](http://joiebaby.com), um Anleitungen herunterzuladen und weitere aufregende Joie-Produkte anzuschauen!

Besuchen Sie unsere Website [joiebaby.com](http://joiebaby.com), um mehr über unsere Gewährleistungsbedingungen zu erfahren.

## Inhalt

Inhalt Abbildungen	1-7
WARNUNG	43
<b>Montage des Kinderwagens</b>	44
Kinderwagen öffnen	44
Vorderrad Montage und Demontage	45
Hinterräder Montage und Demontage	45
Armlehne Montage und Demontage	45
Verdeck anbringen	45
<b>Bedienung des Kinderwagens</b>	45
Rückenlehne einstellen	45
Schnalle bedienen	45
Schulter- & Taillengurte anlegen	45
Wadenstütze anpassen	46
Vorderen Lenkstopp verwenden	46
Bremsen bedienen	46
Verdeck verwenden	46
Kinderwagen zusammenklappen	47
Zubehör verwenden	47
<b>Pflege und Wartung</b>	48

## Notfall

Bei einem Notfall oder Unfall ist es am wichtigsten, dass Ihr Kind unverzüglich erste Hilfe bekommt und medizinisch versorgt wird.

## Produktinformationen

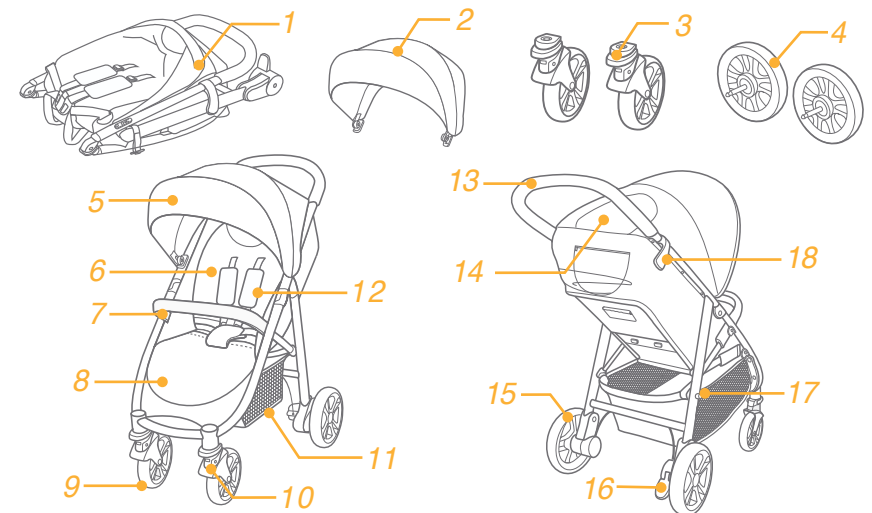
Lesen Sie alle Hinweise in dieser Anleitung, bevor Sie dieses Produkt verwenden. Bei weiteren Fragen wenden Sie sich bitte an Ihren Händler. Einige Merkmale können je nach Modell variieren.

<b>Produkt</b>	LITETRAX™4 Kinderwagen
<b>Geeignet für</b>	Kinder mit einem Gewicht unter 15 kg (Geburt - 36 Monate)
<b>Materialien</b>	Kunststoff, Metall, Stoffe
<b>Patent Nr.</b>	Patente angemeldet
<b>Hergestellt in</b>	China
<b>Markenname</b>	Joie
<b>Webseite</b>	<a href="http://www.joiebaby.com">www.joiebaby.com</a>
<b>Hersteller</b>	JoieChildren's Product (UK) Limited

## Teileliste

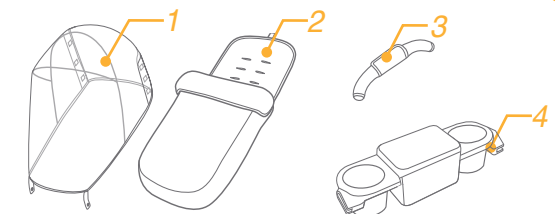
Stellen Sie vor der Montage sicher, dass alle Teile vorhanden sind. Falls etwas fehlen sollte, wenden Sie sich bitte an Ihren Händler vor Ort. Für die Montage werden keine Werkzeuge benötigt.

1 Kinderwagengestell	6 Sitzkissen	11 Ablagekorb	16 Bremshebel
2 Verdeck	7 Armlehne	12 Schultergurt	17 Ablagebefestigung
3 Vorderrad	8 Wadenstütze	13 Griff	18 Ablageverschluss
4 Hinterräder	9 Vorderrad	14 Fenster	
5 Verdeck	10 Lenkstopp	15 Hinterrad	



## Zubehör (nicht mitgeliefert)

- 1 Regenschutz
- 2 Fußsack
- 3 Armlehnenabdeckung
- 4 Elternplatte



## WARNUNGSHINWEISE

- ! ACHTUNG Verwenden Sie bei Gebrauch des Produkts stets das Gurtsystem.
- ! ACHTUNG Verwenden Sie immer die Kombination zwischen Beinen mit dem Hüftgurt. Verwenden Sie auch die Schultergeschirre.
- ! ACHTUNG Vor der Verwendung achten Sie darauf, dass alle Sperrvorrichtungen betätigt sind.
- ! ACHTUNG Lassen Sie Ihr Kind mit diesem Produkt nicht spielen.
- ! ACHTUNG: Prüfen Sie vor dem Gebrauch sorgfältig, ob sämtliche Arretierungsvorrichtungen (z.B. Gelenke, Adapter, Scharniere) ordnungsgemäß eingerastet sind.
- ! Der Zusammenbau muss von einem Erwachsenen durchgeführt.
- ! Bei Verwendung für Kinder mit einer Gewicht höher als 15 kg kann der Kinderwagen beschädigt werden.
- ! Um eine gefährliche, instabile Bedingung zu verhindern, verwenden Sie keine Gewicht von mehr als 4,5 kg in dem Ablagekorb.
- ! Die maximale empfohlene Gewicht für die Platte ist 1.36kg/ 3lbs.
- ! Lassen Sie das Kinder unbeaufsichtigt nicht. Beobachten Sie das Kind, wenn er in dem Kinderwagen sich befindet.
- ! Verwenden Sie den Kinderwagen, um nur ein Kind und nicht mehrere spazierenzugehen. Setzen Sie niemals Taschen, Einkaufstaschen, Verpackungen oder Zubehör auf dem Griff oder der Bedeckung.
- ! Die Überladung, fehlerhafte Faltung oder Verwendung von Ersatzteilen anderer Hersteller kann Schäden am Kinderwagen verursachen, kann es zerstören oder unsicher machen. Lesen Sie die Bedienungsanleitungen sorgfältig durch.
- ! Verwenden Sie es niemals mit Ersatzteilen von anderen Hersteller.
- ! Lesen Sie alle Anweisungen in diesem Handbuch vor Gebrauch dieses Produkts. Bewahren Sie die Bedienungsanleitung für künftigen Durchsehen. Die Nichtbeachtung dieser Warnungen oder Anleitungen kann zu schwerer Verletzung oder zum Tod führen.
- ! Die Sicherheits - und Befestigungsgurte müssen richtig eingesetzt werden.
- ! Um die Verletzungen wegen Herabfallen oder Verrutschen zu vermeiden, verwenden Sie den Stuhlgurt.
- ! Bei Einstellung des Kinderwagen müssen Sie sich versichern, dass Ihr Kind weit von den beweglichen Teilen ist.
- ! Bei Nichtverwendung des Geschirrs kann das Kind in den Fußöffnungen rutschen oder er kann sich erdröseln.
- ! Verwenden Sie niemals den Kinderwagen auf Treppen oder Fahrtreppen.
- ! Halten Sie es fern von Gegenständen mit hohen Temperaturen, Flüssigkeiten und elektronischen Geräten.
- ! Lassen Sie Ihr Kind im Kinderwagen zu stehen oder mit dem Kopf in Richtung der Vorderseite des Wagens zu sitzen.
- ! Stellen Sie den Kinderwagen auf gefährlichen Straßen, Gefällen oder Bereichen nicht.
- ! Achten Sie vor Verwendung des Kinderwagens darauf, dass alle Teile sachgemäß befestigt wurden.

- ! Um Strangulierung zu verhindern, stellen Sie keine Gegenstände mit Gürtel rund um den Hals des Kindes nicht, hängen Sie die Gürtel dieses Produktes nicht auf oder sie um die Spielzeuge nicht beilegen.
- ! Stellen Sie nicht auf dem Hebel, um die Neigung zu verhindern.
- ! Heben Sie nicht den Kinderwagen mit dem Kind hinein aus.
- ! Stellen Sie kein Kind in dem Lagerkorb.
- ! Um die Neigung zu verhindern, erlauben Sie dem Kind nicht, auf dem Kinderwagen zu steigen. Heben Sie das Kind in den und aus dem Kinderwagen.
- ! Um nicht Ihre Finger einzuklemmen, entpacken und falten Sie den Kinderwagen.
- ! Bevor ein Kind von dem Kinderwagen sich zu nähern, stellen Sie sicher, dass es ist vollständig geöffnet oder gefaltet ist.
- ! Für die Sicherheit des Kindes, stellen Sie sich vor Verwendung des Wagens sicher, dass alle Teile richtig befestigt sind.
- ! Um Strangulierung zu verhindern, stellen Sie sich sicher, dass es einen beträchtlichen Abstand zwischen dem Kind und der Bekleidung gibt.
- ! Betätigen Sie immer die Bremse bei Parken des Kinderwagens.
- ! Verwenden Sie den Kinderwagen nicht, wenn es defekt oder beschädigt ist.
- ! Die Verwendungsgeschwindigkeit des Kinderwagens ist die Ganggeschwindigkeit. Dieses Produkt wird nicht während Laufen nicht verwendet.
- ! Um Erstickungsgefahr zu vermeiden, entfernen Sie Plastiktüten und Verpackungsmaterial vor Verwendung des Produktes. Plastiktüten und Verpackungsmaterial müssen weit von den Babies und Kinder bewahrt werden.
- ! Dieses Produkt wird während Laufen oder Rollschuhlaufen nicht verwendet.
- ! Für den Kinderwagen, der für die Benutzung von Geburt des Kindes geplant wurde, wird die Auflegung der Neugeborenen in einer möglichst geneigten Position empfohlen.
- ! Die Parkvorrichtung muss zur Legung oder Abhebung des Kindes betätigt werden.
- ! Bringen Sie keinen Gegenstand in der Elternplatte, der das Kind verletzen kann und den Kinderwagen beschädigen.
- ! Für die Fahrzeugsitze mit Sitzträger wird in dem Fahrzeug ein Kinderbett oder Bett nicht ersetzen. Wenn Ihr Kind schlafen muss, dann sollte das Kind in einem Kinderwagen, Kinderbett oder Bett angemessen gestellt werden.
- ! Die Babyschale eignet sich nur für Kinder, die nicht selbstständig sitzen, sich drehen und/oder mit Händen und Knien abstützen können. Maximalgewicht des Kindes: 9 kg.
- ! Verwenden Sie nur die mit der Babyschale gelieferte Matratze; fügen Sie KEINE weitere Matratze hinzu.

## Zusammenbau des Kinderwagens

Lesen Sie alle Anweisungen in diesem Handbuch vor Zusammenbau und Gebrauch dieses Produkts durch.

### Kinderwagen öffnen siehe Abbildungen ① - ②

Lösen Sie den Aufbewahrungsverschluss von der Befestigung ①, und heben Sie den Handgriff nach oben ②, hören Sie, wie er einrastet, ist der Kinderwagen vollständig geöffnet.

- ! Vor weiter zu gehen, prüfen Sie ob den Kinderwagen geöffnet ist.

## Vorderrad Montage und Demontage

siehe Abbildungen 3 - 4

## Hinterräder Montage und Demontage

siehe Abbildungen 5 - 6

## Armlehne Montage und Demontage

siehe Abbildungen 7 - 8

## Verdeck anbringen

siehe Abbildungen 9 - 10

Der vollständig montierte Kinderwagen ist in Abbildung 11 dargestellt

# Bedienung des Kinderwagens

## Rückenlehne einstellen

siehe Abbildungen 12 - 13

Die Rückenlehne hat 4 Winkel.

Um die Rückenlehne zu neigen, ziehen Sie den Einstellungsgriff aus der hinteren Seite dann ziehen Sie von der Rücklehne. 12

Um die Rückenlehne zu heben, rücken Sie sie auf. 13

! Vergewissern Sie sich, dass die Lehne korrekt eingestellt ist.

## Schnalle bedienen

siehe Abbildungen 14 - 15

Verschluss öffnen

Drücken Sie die mittlere Taste, um den Verschluss freizugeben. 14

Verschluss verriegeln

Richten Sie Hüft- und Schulterverschluss zueinander aus 15 - 1, und drücken Sie in den mittigen Verschluss. 15 - 2 Ein Klickgeräusch zeigt an, dass der Verschluss eingerastet ist. 15 - 3

! Um schwere Verletzungen aufgrund von Herausfallen oder -gleiten zu verhindern, sichern Sie Ihr Kind stets mit Gurten ab.

! Vergewissern Sie sich, dass Ihr Kind rutschfest gehalten wird. Der Abstand zwischen dem Kind und dem Schultergurt sollte etwa die Dicke einer Hand betragen.

! Legen Sie die Schultergurte nicht überkreuz. Dadurch wird Druck im Nacken des Kindes aufgebaut.

## Schulter- & Taillengurte anlegen

siehe Abbildungen 16 - 19

! Nachdem Sie Ihr Kind in den Sitz gesetzt haben, prüfen Sie, ob die Schulter- und Taillengurte in der richtigen Höhe verlaufen und lang genug sind, um Ihr Kind vor dem Herausfallen zu schützen.

16 - 1 Schultergurtverankerung A

16 - 2 Schultergurtverankerung B

16 - 3 Gurtversteller

Für ein größeres Kind muss die Schultergurtverankerung A und der oberste Schulterschlitze verwendet werden. Für ein kleineres Kind muss die Schultergurtverankerung B und der unterste Schulterschlitze verwendet werden.

Zur Verstellung der Position der Schultergurtverankerung drehen Sie die Verankerung so, dass sie mit der nach vorne weisenden Seite auf einer Ebene liegt.

Führen Sie sie von hinten nach vorne durch den Schultergurtschlitze. 17 Führen Sie sie erneut durch den Schlitze, der der Schulterhöhe des Kindes am nächsten liegt. 18

Ändern Sie die Gurtlänge mit dem verschiebbaren Gurtversteller. 19 - 1

Betätigen Sie den Knopf 19 - 2, während Sie den Hüftgurt in die richtige Länge ziehen. 19 - 3

## Wadenstütze anpassen

siehe Abbildungen 20

Es gibt 2 Positionen für die Wadenstütze.

Wadenstütze heben

Drücken Sie die Wadenstütze zum Anheben einfach nach oben. Ein Klickgeräusch zeigt an, dass die Stütze eingerastet ist.

Wadenstütze senken

Zum Absenken der Wadenstütze betätigen Sie die Verstellknöpfe an beiden Seiten der Wadenstütze 20 - 1 und drehen die Wadenstütze nach unten. 20 - 2

## Vorderen Lenkstopp verwenden

siehe Abbildungen 21

Drücken Sie die vorderen Lenkstoppes herunter, um die Bewegungsrichtung beizubehalten. 21

**Tipp** Die Lenkstoppes empfehlen sich auf unebenem Untergrund.

## Bremse bedienen

siehe Abbildungen 22 - 23

Zur Arretierung der Räder drücken Sie den Bremshebel mit dem Fuß nach unten. 22

Lösen Sie die Räder, indem Sie den Bremshebel einfach nach oben ziehen. 23

**Tipp** Verwenden Sie immer die Bremse, wenn Sie mit dem Kinderwagen anhalten.

## Verdeck verwenden

siehe Abbildungen 24

Das Verdeck kann geöffnet oder zugefaltet werden. Ziehen Sie es hierzu nach vorn oder drücken es nach hinten.

Das Verdeck kann ganz geöffnet werden, um Ihr Kind am besten vor der Sonne zu schützen. Lösen Sie hierzu den Hake 24, und ziehen Sie dann das Verdeck ganz nach vorn.

Im Verdeck ist ein Fenster, durch das Sie Ihr Kind beobachten können.

! Die Beladung der Tasche im Verdeck darf 0,5 kg NICHT überschreiten.



## Kinderwagen zusammenklappen

siehe Abbildungen 25 - 27

- ! Bitte klappen Sie das Verdeck zusammen, bevor Sie den Kinderwagen zusammenklappen.
- 1. Ziehen Sie das Gewebe nach oben, der Rahmen faltet sich automatisch nach hinten. 25 - 1
- 2. Die Aufbewahrungsglasche hakt sich automatisch in die Halterung ein. Danach ist der Kinderwagen vollständig gefaltet und verriegelt. 26
- 3. Der Kinderwagen kann zusammengeklappt stehen. 27

## Zubehör verwenden

Zubehör wird möglicherweise separat verkauft oder ist je nach Region nicht verfügbar.

## Mit Joie-Kinderrückhaltesystem verwenden

Beachten Sie bei Verwendung mit dem Joie-Kinderrückhaltesystem "gemm" die folgenden Anweisungen.

- ! Bei Unklarheiten bezüglich der korrekten Nutzung der Babyschale ziehen Sie hierfür bitte das zugehörige Handbuch heran.
- ! Klappen Sie den Kinderwagen nicht zusammen, während das Kinderrückhaltesystem angebracht ist.

## Mit Joie-Babyschale verwenden

siehe Abbildungen 28

Bitte beachten Sie beim Einsatz mit der Joie-Babyschale ramble die nachstehenden Anweisungen.

- ! Falls Probleme bei der Verwendung der Babyschale auftreten, beachten Sie bitte die zugehörige Bedienungsanleitung.
- ! Verwenden Sie die Babyschale niemals ohne Matratze.
- ! Bitte klappen Sie den Kinderwagen nicht zusammen, wenn die Babyschale angebracht ist.

## Regenschutz verwenden

siehe Abbildungen 30

Um den Regenmantel aufzustellen, legen Sie es über den Kinderwagen und danach stellen Sie 8 Paaren von Befestigungshaken und -Ringen und 2 Paaren von Kapseln auf den Regenmantel. 30

- ! Vor dem Regenmantel zu verwenden, stellen Sie sich sicher, dass es in der niedrigsten Position geregelt wurde und den Kindersitz befestigt wurde.
- ! Prüfen Sie die Belüftung bei Verwendung des Regenmantels.
- ! Wenn Sie den Regenmantel nicht verwenden, prüfen Sie ob den Regenmantel vor der Faltung geputzt oder getrocknet wurde.
- ! Wenn den Regenmantel auf dem Kinderwagen steht, beseitigen Sie es, um Rissen oder Beschädigungen zu verhindern.
- ! Falten Sie den Kinderwagen nach Zusammenbau des Regenmantels nicht.
- ! Setzen Sie das Kind in dem Kinderwagen mit dem zusammengebauten Regenmantel nicht, wenn es warmes Wetter gibt.

## Verwendung des Fußsacks

siehe Abbildungen 31 - 33

## Verwendung der Elternplatte

siehe Abbildungen 34 - 35

- ! Bringen Sie keinen Gegenstand in der Elternplatte, der das Kind verletzen kann und den Kinderwagen beschädigen.

## Pflege und Wartung

- ! Das abnehmbare Sitzkissen kann in kaltem Wasser gewaschen und zum Trocknen aufgehängt werden. Nicht bleichen.
- ! Reinigen Sie das Kinderwagengestell nur mit handelsüblicher Seife und warmem Wasser. Nicht bleichen oder mit Reinigungsmitteln bearbeiten.
- ! Untersuchen Sie Ihren Kinderwagen gelegentlich auf lockere Schrauben, abgenutzte Teile, verschlissene Materialien oder aufgerissene Nähte. Ersetzen oder reparieren Sie die Teile, falls erforderlich.
- ! Bei übermäßiger Sonnenbestrahlung oder Hitzeeinwirkung können Teile verblassen oder sich verformen.
- ! Ist der Kinderwagen nass geworden, öffnen Sie das Verdeck und lassen Sie ihn komplett trocken werden, bevor Sie ihn verstauen.
- ! Bei quietschenden Rädern tragen Sie ein leichtes Öl auf (z. B. Silikonspray, Rostschutzöl oder Nähmaschinenöl). Es ist dabei wichtig, dass das Öl in die Achse und die Radverbindung gelangt. 28
- ! Gehen Sie mit Ihrem Kinderwagen am Strand spazieren, müssen Sie ihn hiernach komplett reinigen, um Sand und Salz aus der Mechanik und den Radverbindungen zu entfernen.

Gefeliciteerd dat u een deel van de familie Joie bent! We zijn erg blij om deel te nemen aan de reis met je baby terwijl u loopt met een Joie LITETRAX™4 kinderwagen, maakt u gebruik van een hoge kwaliteit, volledig gecertificeerd en goedgekeurd volgens de Europese veiligheidsnormen EN 1888-2012. Dit product is geschikt voor kinderen met een gewicht tot 15 kg. Lees deze handleiding zorgvuldig en volg elke stap naar een comfortabele rit en de beste bescherming voor uw kind te waarborgen..

## BELANGRIJK - Bewaar deze instructies voor toekomstig gebruik

Bezoek ons op [joiebaby.com](http://joiebaby.com) om de handleiding te downloaden en nog meer geweldige producten van Joie te zien!

Bezoek voor de garantiebepalingen svp onze website [joiebaby.com](http://joiebaby.com)

## Inhoud

Figuren	1-7
AANWEIJZINGEN	51
<b>Kinderwagen montage</b>	<b>52</b>
Opening van kinderwagen	52
Montage & demontage Voorwielmontage	53
Montage & demontage Achterwielmontage	53
Montage & demontage Armvarmontage	53
Luifel montage	53
<b>Omgaan met de kinderwagen</b>	<b>53</b>
Rugleuningverstelling	53
Gespegebruik	53
Gebruik van schouder an taille harnas	53
Beensteun verstelling	54
Gebruik van voorasvegredeling	54
Gebruik van rem	54
Luifelgebruik	54
Kinderwagen inklappen	54
Gebruik van accessoires	55
<b>Gebruik van accessoires</b>	<b>56</b>

## Nodgeval

In geval van nood of ongeval, het belangrijkste is uw kinderopvang door het verstrekken van eerste hulp of medische behandeling.

## Productinformaties

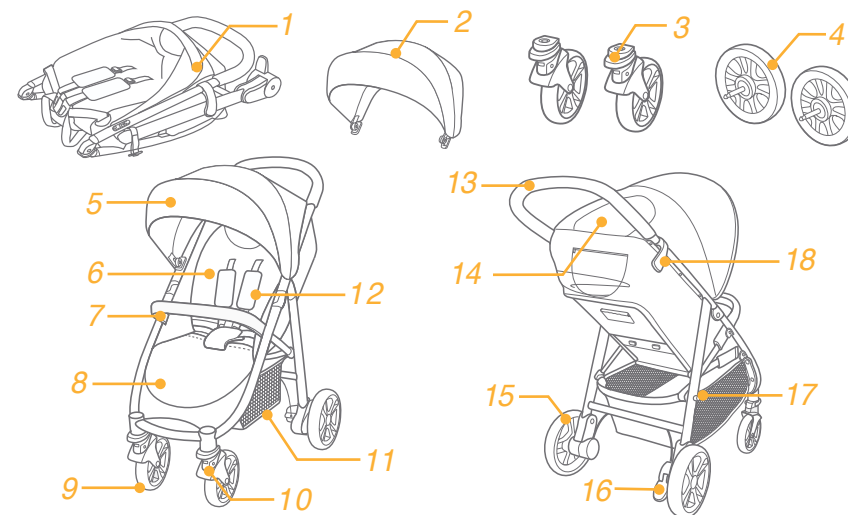
Lees alle instructies in deze handleiding voordat u het product gebruikt. Als u vragen heeft, raadpleeg dan de dealer. Sommige functies kunnen variëren per model.

<b>Product</b>	Kinderwagen Litetrax™4
<b>Geslacht voor</b>	kinderen met een gewicht tot 15kg (vanaf geboorte tot - 36 maanden)
<b>Materialen</b>	Kunststof, metaal, textiel
<b>Patent no</b>	In afwachting ervan
<b>Gefabriceerd in</b>	China
<b>Merknaam</b>	Joie
<b>Website</b>	<a href="http://www.joiebaby.com">www.joiebaby.com</a>
<b>Fabrikant</b>	JoieChildren's Product (UK) Limited

## Lijst met onderdelen

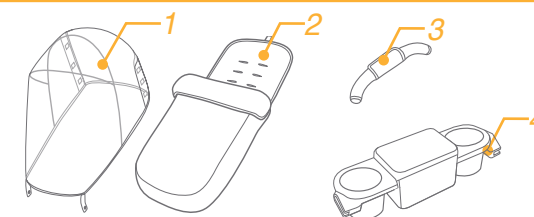
Vóór de montage, zorg ervoor dat alle onderdelen beschikbaar zijn. Als onderdelen ontbreken, neem dan contact met uw plaatselijke dealer. Voor de montage zijn er geen gereedschap nodig.

1 Kinderwagen ramen	6 Zitkussen	11 Opbergmaand	16 Tempedaal
2 Luifel	7 Armbar	12 Schouderharnas	17 Opslag daagframe
3 Vorwiel	8 Beensteun	13 Handgreep	18 Opberg klem
4 Achterwielen	9 Vorwiel	14 Venster	
5 Luifel	10 Asvergedeling	15 Achterwiel	



## Toebehoren (zijn mogelijk niet meegeleverd)

- 1 Regenhoes
- 2 Hoes voor
- 3 Hoes voor hand bar
- 4 Draagarmen



## AANWIJZINGEN

- ! ATTENTIE Gebruik altijd het gordelsysteem.
- ! ATTENTIE Gebruik altijd de combinatie tussen de benen met met een taille riem. Wij stellen voor ook de schoudergordels te gebruiken.
- ! ATTENTIE Voor gebruik, zorg ervoor dat alle vergrendelingen worden bediend.
- ! ATTENTIE Zorg ervoor dat uw kind niet met dit product speelt.
- ! WAARSCHUWING: controleer voor gebruik of de reiswieg, wandelwagenzitting of autostoeladapters goed vastzitten.
- ! Het is noodzakelijk dat een volwassene de montage verwezenlijkt.
- ! Gebruik de kinderwagen voor een kind met een gewicht van minder dan 15 kg. Als u hde wagen voor een kind met een ongepast gewicht gebruikt, zal dit leiden tot schade aan de wagen.
- ! Om een gevaarlijke, onstabiele toestand te voorkomen, plaats een gewicht van niet meer dan 4,5 kg in opslag korf.
- ! Maximaal aanbevolen gewicht is 1.36kg/3lbs.
- ! Laat uw kind nooit zonder toezicht. Houdt toezicht op het kind terwijl het kind in kinderwagen is.! Gebruik de wagen alleen een kind te rijden en niet meer. Plaats nooit portemonnees, boodschappentassen, pakketten op handgreep of accessoires, verwerken op luifel..
- ! In geval van een te hoge belasting, verkeerd inklappen of gebruik van onderdelen van compoente van andere fabrikanten kunt dat de kinderwagen beschadigen of onveilig maken. Lees de gebruiksaanwijzing aandachtig door.
- ! Gebruik nooit met componenten van andere fabrikanten.
- ! Lees alle instructies in de handleiding voordat u dit product gebruikt. Bewaar de handleiding voor toekomstig gebruik. Als u deze waarschuwingen en instructies niet opvolgen, kunnen de gevolgen ernstig letsel of de dood zijn.
- ! Beschermende riemen en bevestigingssytemen moeten correct worden gebruikt.
- ! Om ernstig letsel als gevolg van uitglijden of vallen van de wagen te vermijden, gebruik dan altijd de veiligheidsgordels.
- ! Zorg ervoor dat als u de wagen aanpast uw baby uit de buurt van bewegende delen is.
- ! Het kind kan vervallen in de been openingen en kan stikken als u geen gebruik van de gordel maakt.
- ! Gebruik nooit de kinderwagen op trappen of roltrappen.
- ! Houd het product uit de buurt van hoge temperatuur voorwerpen, vloeistoffen of elektronische artikelen.
- ! Laat uw kind nooit in de kinderwagen of met hoof gerocht op de kinderwagen staan.
- ! Laat de kinderwagen nooit op de straat, hellende of gevaarlijke gebieden.
- ! Zorg ervoor dat alle mechanismen zijn ingesteld voor het gebruik van de wagen.
- ! Om de wurging te voorkomen, plaats GEEN objecten met een touwtje om de nek van het kind, aan de opgeschort elementen van het product en touw ggen hechten aan speelgoed.

- ! Plaats niets op de hendel om kantelen te.
- ! Tilt niet de kinderwagen met het kind binnen..
- ! Gebruik de opslagkorf NIET om kinderen de dragen.
- ! Om kantelen te voorkomen, staan niet toe dat kinderen op de kinderwagen rijden. U moet het kind in en van de kinderwagen tillen.
- ! Om het vangen van vingers te voorkomen, open en inklapp zorgvuldig de wandelwagen.
- ! Zorg ervoor dat de wandelwagen volledig geopend of ingeklapt is, voordat u een kind benaderen laat..
- ! Voor de veiligheid van kinderen, zorg ervoor dat alle onderdelen worden vastgezet voordat u de kinderwagen gebruikt.
- ! Om verstikking te voorkomen, zorg ervoor dat er een aanzienlijke afstand tussen het kind en de luifel is.
- ! Wanneer u de winkelwagen stopt altijd activeer de remmen.
- ! Stop met het gebruik van de kinderwagen als het defect of beschadigd is.
- ! De wagen moet worden gebruikt bij een loopsnelheid. Dit product is niet bestemd voor gebruik bij het lopen
- ! Om verstikkingsgevaar te voorkomen, , verwijder de plastic zak en verpakkingsmaterialen, voordat u dit product gebruikt. Plastic zakken en verpakkingsmaterialen moeten uit de buurt van baby's en kinderen worden bewaard.
- ! Dit product is niet geschikt voor gebruik tijdens het joggen of een wandeling met rolschaatsen.
- ! Voor de wagen ontworpen viir gebruik vanaf de geboorte i ser anbevolen de baby in een gekantelde positie e plaatsen.
- ! Plaats in de ouders lade geen items die voor kind letsel of schade toe aan.
- ! De parkeerrem moet worden geactiveerd wanneer u plaatst of tilt het kind uit de kinderwagen.
- ! Voor de autostoeltje gebruikt met ondersteuning, in dit geval het voertuig is geen vervanging voor een babybedje of een bed. Als uw kind heeft rust nodig, dan zal het kind moet worden geplaatst in een kinderwagen, wieg of bed goed.
- ! Reiswieg is alleen geschikt voor een baby die nog niet rechtop kan zitten, om kan rollen, of zichzelf op handen en voeten kan duwen. Maximum gewicht van de baby: 9kg.
- ! Gebruik GEEN andere matras dan degene die met de reiswieg wordt meegeleverd.

## Kinderwagen montage

Lees alle instructies zorgvuldig in deze handleiding voor montage en gebruik van dit product.

### Opening van de kinderwagen

zie afbeeldingen 1 - 2

Apart de afsluitbare berging van de opslagondersteuning 1 een ratel betekent dat de wagen nu volledig open is. 2

! Alvorens verder te gaan controleer dat de kinderwagen volledig open is căruciorul

## Montage & demontage Voorwielmontage zie afbeeldingen 3 - 4

## Montage & demontage Achterwielmontage zie afbeeldingen 5 - 6

## Montage & demontage Armbarmontage zie afbeeldingen 7 - 8

## Luifel montage zie afbeeldingen 9 - 10

De compleet gemonteerde wandelwagen wordt getoond als 11

# Omgaan met de kinderwagen

## Rugleuningverstelling zie afbeeldingen 12 - 13

De rugleuning heeft 4 hoeken

Om kantelen van de rugleuning af te stellen draai de hendel aan de achterkant van de stoel dan trek aan en rugleuning. 12

Om de rugleuning te verhogen, duw omhoog. 13

! Zorg ervoor dat de rugleuningstand goed is afgesteld voor gebruik.

## Gebruik van gesp zie afbeeldingen 14 - 15

Gesp loskoppelen

Druk op de middelste knop om de gesp te verkopen. 14

Gesp sluiten

Past de gesp voor de schouder met de gesp voor de taille 15 - 1 en plaats deze in de gesp in het midden.

15 - 2 Een ratel betekent dat het nu volledig gesloten is.. 15 - 3

! Om ernstig letsel veroorzaakt door vallen of schuiven te voorkomen, altijd bescherm uw kind met de veiligheidsgordels.

! Zorg ervoor dat het kind stevig vast zit. De ruimte tussen het kind en de gordels is ongeveer een voet

! Steek niet de schouderbanden. Dit veroorzaakt druk op de hals van het kind.

## Gebruik van schouder en taille harnassen zie afbeeldingen 16 - 19

! Om het kind tegen vallen te beschermen, nadat het kind zitt, controleer dat de schouder en taille harnassen op de juiste hoogte en lengte zijn

16 - 1 Bevestiging A voor schoudergordel

16 - 2 Bevestiging B voor schoudergordel

16 - 3 Dispositiv de reglare culisare

Voor een ouder kind gebruik de vergrendeling voor schouder harnas schouder A en de hoogste spaties voor schouder. Voor een kleiner kind, gebruik de vergrendeling voor schouder harnas schouder B en de lagere spaties voor schouders.

Om de positie van de schoudergordel anker te passen, draait het anker op niveau met de zijde naar voren. Haal het door de schoudergordel slot van achter naar voren. 17 Rijk het door de sleuf die het dichtst bij de kindschouder. 18

Gebruik de schuifregelaar om de lengte van het harnas te wijzigen 19 - 1

Druk de knop 19 - 2 terwijl u de taille harnas op de gewenste lengte aanpasst. 19 - 3

## Beensteun verstelling zie afbeeldingen 20

Het beensteun heeft 2 posities.

Het verhogen van beensteuning

Om de beensteuning te verhogen, stuw het ophoog.

Het verlagen van ondersteuning

Druk de regelingknopen op beide zijden van de beensteuning 20 - 1 en draai de ondersteuning naar beneden.. 20 - 2

## Gebruik van voorasvergredeling zie afbeeldingen 21

Trek de vooras vergrendelingen op de richting van beweging te houden. 21

**Advies** Het wordt aanbevolen om de asvergrendeling op oneffen oppervlakken te gebruikene.

## Gebruik van rem zie afbeeldingen 22 - 23

Om de wielen te vergrendelen, stap op een van de rempedaal 22

Op de wielen vrij te geven, til de rempedaal 23

**Advies** Gebruik de rem altijd als de kinderwagen stilstaat..

## Luifel gebruik zie afbeeldingen 24

Voor het openen of inklappen van het luifel, trek het naar voren en terug

Het luifel kan volledig geopen worden om de baby tegen de zon te beschermen, indien u de haak losdraait 24 en de luifel naar voren trekt

De luifel heeft een venster waarin u kunt de baby zien

! Maximaal gewicht in zak voor kap mag NIET meer zijn dan 0,5 kg

## Kinderwagen inklappen zie afbeeldingen 25 - 27

! Voordat u de kinderwagen inklappen, klapp de luifel in

1. Trek de inklapmaas en de ram word automatisch inklappt 25 - 1

2. De vergrelding sluit automatisch aan de vergrelding element, en de kinderwagen kan compleet ingeklapt en vergrendeld worden. **26**
3. De wandelwagen kan in opgevouwen stand rechtop staan. **27**

## Gebruik van accessoires

De accessoires kunnen ook separat worden gekocht of kunnen niet beschikbaar afhankelijk van de regio zijn.

## Gebruik in combinatie met autostoeltje Joie

Voor gebruik met de autostoel Joie gemm raadpleeg de volgende instructies

- ! Als u vragen heeft over het autostoeltje, neemt u dan de gebruiksaanwijzing van het autostoeltje erbij.
- ! Gelieve niet kinderwagen vouwen bij het bevestigen van het kinderzitje.

## Gebruik met Joie reiswieg

### zie afbeeldingen **29**

Bij gebruik met de Joie Ramble reiswieg, volg svp de volgende aanwijzingen.

- ! Bij problemen met het gebruik van de reiswieg, lees dan de gebruiksaanwijzing van de reiswieg.
- ! Gebruik de reiswieg altijd samen met de matras.
- ! Klap de wandelwagen niet in als u de reiswieg erop bevestigt.

## Gebruik van de regenhoes

### zie afbeeldingen **30**

Voor het monteren van de regenhoes, plaats het over de kinderwagen en bevestig dan de 8 paar haken en montage ringen en 2 paar oogjes op regenhoes. **30**

- ! Voordat u de regenhoes gebruikt, zorg ervoor dat de rugleuning werd aangepast in de laagste stand en het kinderzitje is vastgesteld
- ! Voordat u de regenhoes gebruik, controleer of de reiswieg wordt bevestigd.
- ! Bij gebruik van de regenhoes, controleer dan altijd de ventilatie.
- ! Wanneer niet in gebruik, moet u controleren of de regenhoes is schoongemaakt en gedroogd voordat u het inklapt.
- ! Inklap nooit de kinderwagen na het monteren van de regenhoes.
- ! Plaats uw kind nooit in de kinderwagen met de monteerde regenhoes bij warm weer.

## Gebruik van voetzak

### zie afbeeldingen **31** - **33**

## Gebruik van Draagarmen

### zie afbeeldingen **34** - **36**

- ! Plaats in de ouders lade geen items die voor kind letsel of schade toe aan.

# Verzorging en onderhoud

- ! Afneembare kussens kunnen worden gewassen met koud water en druppelen-gedroogd. Zonder bleken.
- ! Om de wagenram schoon te maken, gebruik dan alleen huishoudelijke zeep en warm water. Gebruik geen bleekmiddelen of detergents.
- ! Af en toe controleer de winkelwagen opdat er losse schroeven, beschadigde onderdelen, materialen of defecte naden. Vervang of repareer die delen.
- ! Overmatige blootstelling aan zonlicht of hitte kan tot verkleuring of vervorming van onderdelen leiden.
- ! Als zich de wagen bevochtigt, open de luifel en laat het goed drogen voordat u het opbergt.
- ! Als de wielen piepen, gebruik dan een lichte olie (bijv. bespoten met siliconen olie, olie tegen roest, of naaimachine olie). Het is belangrijk olie in het wiel of as-systeem te brengen. **28**
- ! Bij het gebruik van de kinderwagen op het strand, reinig volledig de kinderwagen na het gebruikt om zand en zout van de wielen mechanismen en structuren te verwijderen

# IT Benvenuti a Joie™

Complimenti per avete diventato parte della famiglia Joie! Siamo molto felici di partecipare al passeggio con il vostro bambino. Mentre passeggiate con Joie LITERAX™4 si utilizza un carello per bambini di alta qualità, completamente certificato e approvato dalle norme di sicurezza europee EN 1888-2012. Questo prodotto è adatto per l'uso per i bambini con un peso fino a 15 kg. Leggete attentamente questo manuale e seguite ogni passo per assicurare un passeggio confortevole e la migliore protezione per il vostro bambino.

## IMPORTANTE - Tenete questo istruzioni per un riferimento futuro.

Visitate il nostro sito [joiebaby.com](http://joiebaby.com) per scaricare il manuale e vedere più prodotti straordinari di Joie!

Per informazioni sulla garanzia, visitare il nostro sito internet all'indirizzo [joiebaby.com](http://joiebaby.com)

## Contenuto

Figure	1-7
AVVERTENZE	59
<b>Montaggio del carello</b>	<b>60</b>
Aprire il carrello	60
Assemble & distaccare delle ruote anteriori	61
Assemble & distaccare delle ruote posteriori	61
Assemble & distaccare barra per le mani	61
Montaggio della tenda	61
<b>Manovra del carello</b>	<b>61</b>
Regolazione dello schienale	61
Utilizzo della fibbia	61
Utilizzo della imbracatura per spalla e vita	61
Regolazione del supporto per le gambe	62
Utilizzo del gancio di bloccaggio anteriore	62
Utilizzo del freno	62
Utilizzo della tenda	62
Piegatura del carello	62
Utilizzo degli accessori	63
<b>Cura e manutenzione</b>	<b>64</b>

## Caso di emergenza

In caso di una emergenza o di un incidente, la cosa più importante è la cura del vostro bambino fornendo il pronto soccorso o cure mediche immediate.

## Informazioni sul prodotto

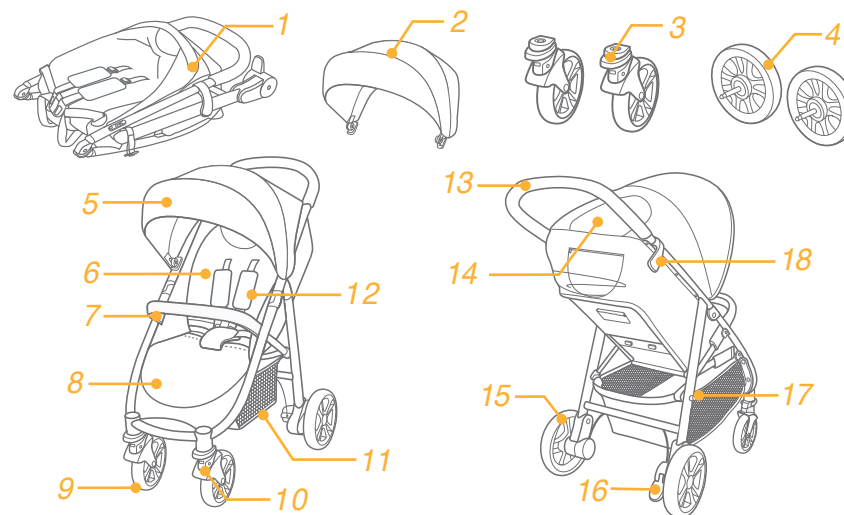
Leggete tutte le istruzioni di questo manuale prima di utilizzare il prodotto. Se avete domande, si prega di consultare il commerciante. Alcune caratteristiche possono variare secondo il modello.

<b>Prodotto</b>	Carello per bambini Literax™4
<b>Corrisponde per</b>	Bambino con peso fino a 15 kg (dalla nascita - 36 mesi)
<b>Materiali</b>	Plastica, metallo, tessuti
<b>No. brevetto</b>	Brevetti in attesa
<b>Prodotto in</b>	China
<b>Nome marca</b>	Joie
<b>Sito web</b>	<a href="http://www.joiebaby.com">www.joiebaby.com</a>
<b>Fabbricante</b>	Joie Children's Product (UK) Limited

## Lista parti componenti

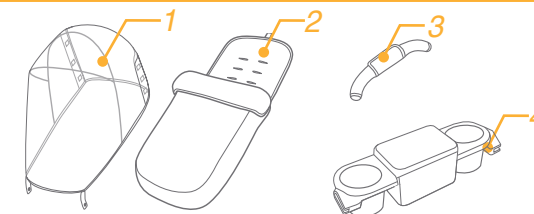
Assicuratevi che tutte le parti sono disponibili prima del montaggio. In caso di componenti mancanti contattare il commerciante locale. Senza bisogno di utensili per il montaggio.

1 Struttura carello	7 Barra per le mani	12 Imbracatura per spalla	frenofrontale
2 Tenda	8 Supporto pe le gamba	13 Manico	17 Supporto stoccaggio
3 Ruote anteriori	9 Ruota anteriore	14 Finestra	18 Bloccaggio stoccaggio
4 Ruote posteriori	10 Bloccaggio asse	15 Ruota posteriore	
5 Tenda	11 Cestino di stoccaggio	16 Pedale del	



## Accessori (potrebbero non essere inclusi)

- 1 Parapioggia
- 2 Poggiapiedi
- 3 Caso supporto per le braccia
- 4 Vassoio per i genitori



## AVVERTENZE

- ! ATTENZIONE Utilizzare sempre il sistema di sicurezza.
- ! ATTENZIONE Usate sempre la combinazione tra le piedi con la cintura per vita. Si consiglia di utilizzare le bretelle.
- ! ATTENZIONE Prima di utilizzare assicuratevi che tutti i dispositivi di bloccaggio vengono azionati.
- ! ATTENZIONE Non permettere al vostro bambino di giocare con questo prodotto.
- ! ATTENZIONE Prima di utilizzare assicuratevi che il corpo del carrello e i dispositivi di fissaggio del sedile sono gestiti correttamente.
- ! È necessario che un adulto realizzi il montaggio.
- ! Utilizzate il carrello per un bambino che pesa meno di 15 kg, se si utilizza per bambini con un peso inadeguato questo può causare danni al carrello.
- ! Per evitare una condizione pericolosa, instabile non mettere un peso maggiore di 4,5 kg nel cestino di stoccaggio.
- ! Il peso massimo consigliato per il vassoio per i genitori è di 1.36kg/3 libbra.
- ! Non lasciate il bambino incustodito. Guardate sempre il bambino mentre è nel carrello.
- ! Utilizzate il carrello solo per passeggiare un solo bambino e non più. Mai depositare borse, sacchetti, pacchetti o accessori nel manico o la tenda.
- ! Il sovraccarico, il piego in un modo improprio o l'uso di componenti di base di altri produttori può provocare danni al carrello, distruggerlo o renderlo insicuro. Leggete attentamente il manuale di istruzioni.
- ! Non utilizzare il passeggino con parti di altri produttori.
- ! Leggete tutte le istruzioni riportate nel manuale prima di utilizzare questo prodotto. Conservate il manuale di istruzioni per un riferimento futuro. Se non seguite queste avvertenze e le istruzioni, le conseguenze potrebbero essere gravi lesioni o la morte.
- ! Le cinture di sicurezza e i sistemi di mantenimento dovrebbero essere usati correttamente.
- ! Per evitare infortuni causati da cadute o diapositive, utilizzate cintura di sicurezza.
- ! Assicuratevi che quando regolate il carrello il corpo del vostro bambino è lontano dalle parti in movimento.
- ! Il bambino può scivolare nelle aperture per le gambe e potrebbe essere strangolato se non si utilizza le imbracature.
- ! Non utilizzate mai il carrello sulle scale o scale mobili.
- ! Tenete il prodotto lontano da oggetti ad alta temperatura, liquidi o oggetti elettronici.
- ! Non permettere al vostro bambino di stare in piedi nel carrello o essere collocato con la testa verso la parte anteriore del carrello.
- ! Non mettete il carro nelle strade, piste o aree pericolose.
- ! Assicuratevi che tutti i meccanismi sono impostati correttamente prima di usare il carrello.

- ! Per evitare lo strangolamento, non individuare articoli con una cintura intorno al collo del vostro bambino, sospendete le cinture di questo prodotto o allegate quiete ai giocattoli.
- ! Non mettete nulla sul manico per evitare il ribaltamento.
- ! Non sollevate il carello con il bambino all'interno.
- ! Non mettete un bambino nel cestino di stoccaggio.
- ! Per evitare il ribaltamento, non permettete al bambino di cavalcare sul carrello. Sollevate sempre il bambino del e nel carello.
- ! Per evitare di schiacciarsi le dita, aprire e piegare il carello attentamente.
- ! Assicuratevi che il carello è completamente aperto o piegato prima di consentire a un bambino di essere vicino al carello.
- ! Per la sicurezza del bambino, assicuratevi che tutti i componenti vengono assemblati e fissati opportunamente prima di usare il carrello.
- ! Per evitare lo strangolamento, assicuratevi che è un notevole divario tra il bambino e la tenda.
- ! Applicate sempre i freni quando parcheggiate il carello.
- ! Non utilizzate mai il carrello se è difetto o danneggiato.
- ! Il carrello deve essere utilizzato ad una velocità di passeggio.
- ! Questo prodotto non è destinato ad essere utilizzato per correre.
- ! Per evitare il soffocamento, prima di utilizzare questo prodotto, rimuovete i sacchetti di plastica e i materiali di imballaggio. I sacchetti di plastica e i materiali di imballaggio devono quindi essere tenuti lontano dai neonati e bambini.
- ! Questo prodotto non è adatto per l'uso mentre correte o camminate con i pattini.
- ! Il carello per neonati è raccomandato di essere utilizzato nella posizione più incline per i neonati.
- ! Il dispositivo di parcheggio deve essere attivato nel collocamento o il sollevamento del bambino.
- ! Non mettete articoli che possono danneggiare il bambino nel vassoio per i genitori.
- ! La culla portatile è adatta per un bambino che non è ancora in grado di stare seduto da solo, si rovescia e non può rialzarsi con le mani e mettersi in ginocchio. Peso massimo del bambino: 9 kg.
- ! NON utilizzare o aggiungere materassini diversi da quello fornito con la culla portatile.
- ! Per i seggiolini di auto utilizzati con un sostegno, questo veicolo non sostituisce una culla o letto. Se il vostro bambino ha bisogno di riposo, allora il bambino deve essere posto in una carrozzina, culla o letto correttamente.

## Montaggio del carello

Leggere attentamente tutte le istruzioni di questo manuale prima di montare ed utilizzare il prodotto.

### Aprire il carello vedere le immagini 1 - 2

Separate la serratura di stoccaggio dal supporto di stoccaggio ① e sollevate la maniglia, un clic significa che il passeggino è completamente aperto. ②

- ! Prima di continuare controllate se il carello è completamente aperto.

**Assemble & distaccare delle ruote anteriori**  
vedere le immagini 3 - 4

**Assemble & distaccare delle ruote posteriori**  
vedere le immagini 5 - 6

**Assemble & distaccare barra per le mani**  
vedere le immagini 7 - 8

**Montaggio della tenda**  
vedere le immagini 9 - 10

L'immagine 11 mostra il carrello completamente assemblato

## Manovra del carello

**Regolazione dello schienale**  
vedere le immagini 12 - 13

Lo schienale ha 4 angoli.

Per inclinare lo schienale, serrare il manico di regolazione dalla parte posteriore del sedile poi tirare del schienale. 12

Per alzare lo schienale, spingerlo verso l'alto. 13

! Assicuratevi che l'inclinazione è regolata correttamente per l'uso.

**Utilizzo della fibbia**  
vedere le immagini 14 - 15

Disaccoppiamento della fibbia

Premete il pulsante centrale per disaccoppiare la fibbia. 14

Lock Buckle

Regolate la cintura per vita con la sulle spalle 15 - 1, e premete nel centro della fibbia. 15 - 2 Un cricchetto significa che ora la fibbia è stato completamente bloccata. 15 - 3

! Per evitare lesioni gravi da cadute o scivoli dal carrello, sempre collegate il bambino con la imbracatura.

! Assicuratevi di proteggere il bambino in modo confortevole. Lo spazio tra il bambino e la cintura per spalla è quanto di una palma di spessore.

! Non incrociare le cinture per la spalla. Questo causara pressione sul collo del bambino

**Utilizzo delle imbracature per la spalla e la vita**  
vedere le immagini 16 - 19

! Per proteggere il bambino di cadute dal carello, dopo che posizionate il bambino nel seggiolino, controllate se le imbracature per la spalla e la vita sono alla altezza e lunghezza appropriata.

16 - 1 Ancora A della imbracatura per la spalla

16 - 2 Ancora B della imbracatura per la spalla

16 - 3 Dispositivo di regolazione scivolante

Per un bambino più grande utilizzate l'ancora A della imbracatura per la spalla e i spazi per la spalla più alti. Per un bambino più piccole, utilizzate l'ancora B della imbracatura per la spalla e i spazi per la spalla più bassi.

Per regolare la posizione della regolazione del cablaggio, ruotate il dispositivo di regolazione al livello con la parte davanti. Passate sul spazio della imbracatura per la spalla davanti. 17 Attraversate di nuovo la zona più vicina all'altezza delle spalle del bambino. 18

Utilizzate il dispositivo di regolazione scivolante per modificare la lunghezza della imbracatura 19 - 1

Premete il pulsante 19 - 2 mentre fissate la imbracatura per la vita nella lunghezza appropriata. 19 - 3

**Regolazione del supporto per le gambe**  
vedere le immagini 20

Il supporto per le gambe ha 2 posizioni

Il sollevamento del supporto per le gambe

Per sollevare il supporto per la gamba sollevate. Un cricchetto significa che supporto per la gamba è fissato

Abbassamento del supporto per le gambe

Premete il pulsante di regolazione su entrambi i lati del supporto per le gambe 20 - 1 e girate il supporto per le gambe verso il basso. 20 - 2

**Utilizzo del blocco del gancio anteriore**  
vedere le immagini 21

Tirate i dispositivi di bloccaggio del gancio anteriore per mantenere la direzione di movimento. 21

**Consiglio** Si raccomanda utilizzare i dispositivi di bloccaggio del gancio su superfici irregolari.

**Utilizzo del freno**  
vedere le immagini 22 - 23

Per bloccare le ruote, fate click su i pedali di freno. 22

Per sollevare le ruote, solo sollevate i pedali di freno. 23

**Consiglio** Utilizzate il freno ogni volta che viene fermato il carrello.

**Utilizzo della tenda**  
vedere le immagini 24

Per aprire o piegare la tenda tirate avanti o indietro.

La tenda può essere aperta completamente per proteggere il bambino dal sole svitando il gancio 24, e tirando la tenda davanti.

La tenda ha una finestra in cui è possibile vedere il bambino.

! Il peso massimo totale della tasca della capottina non DEVE superare 0,5 kg

**Piegatura del carello**  
vedere le immagini 25 - 27

! Prima de piegare il carello, piegate la tenda.

1. Tirate verso l'alto la rete pieghevole e il quadro si pieghera automaticamente posteriormente 25 - 1



- Il blocco di stoccaggio otterrà automaticamente il supporto di stoccaggio e il passeggino può essere piegato e bloccato completamente. [25](#)
- Il passeggino può rimanere in piedi quando è piegato. [27](#)

## Utilizzo degli accessori

Gli accessori possono essere commercializzati separatamente o è possibile di non essere disponibile a seconda della regione.

## Utilizzo con il seggiolino per auto Joie

Non tutti gli accessori sono compresi in alcuni modelli. Quando si usa il sistema di ritenuta per bambini Joie Gemm, fare riferimento alle seguenti istruzioni.

- ! In caso di problemi con l'uso del sistema di ritenuta per bambini, fare riferimento ai relativi manuali di istruzioni.
- ! Non piegare il passeggino con il sistema di ritenuta per bambini ancora fissato.

## Uso con culla portatile Joie

### vedere le immagini [28](#)

Quando si utilizza la culla portatile Joie, fare sempre riferimento alle seguenti istruzioni.

- ! In caso di problemi con l'uso della culla portatile, fare riferimento ai relativi manuali di istruzioni.
- ! Quando si usa la culla portatile, usare sempre anche il materassino.
- ! Non piegare il passeggino quando si fissa la culla portatile.

## Utilizzo della parapigioggia

### vedere le immagini [30](#)

Per montare la parapigioggia, posizionatela sopra il carello, e quindi fissate 8 paia di ganci e anelli di montaggio e 2 paia di occhielli sulla parapigioggia. [30](#)

- ! Prima di utilizzare la parapigioggia, assicuratevi che la culla portatile è stata nella più bassa posizione.
- ! Quando si utilizza la parapigioggia controllate sempre la ventilazione.
- ! Quando la parapigioggia non si utilizza, controllate se è stata pulita e asciugata prima della piegatura.
- ! Se la parapigioggia è sopra il carello, rimuovete sempre il coperchio per evitare tagli e strappi.
- ! Non piegate il passeggino dopo il assemblaggio della parapigioggia.
- ! Non posizionate il bambino nel passeggino con la parapigioggia installata in estate.

## Utilizzo custodia per le gambe

### vedere le immagini [31](#) - [33](#)

## Utilizzo del vassoio per i genitori

### vedere le immagini [34](#) - [36](#)

- ! Non mettete articoli che possono danneggiare il bambino nel vassoio per i genitori.

## Cura e manutenzione

- ! Il cuscino per la seduta rimovibile può essere lavato con acqua fredda e asciugato senza pieghe. Senza sbiancamento.
- ! Per pulire il quadro del carello, usate solo sapone di Marsiglia e acqua calda. Non usate agenti di sbiancamento o detergenti.
- ! Occasionalmente controllate il carello per paura che dovesse viti allentate, parti usurate, materiali o cuciture difetti. Sostituite o riparate quelle parti.
- ! Una esposizione eccessiva ai raggi solari o al calore può causare scolorimento o deformazioni delle parti.
- ! Se il carello è umido, aprite la tenda e lasciatelo asciugarsi completamente prima di depositarlo.
- ! Se le ruote squittiscono, utilizzate un olio leggero (es. Spray al silicio, olio contro la ruggine o olio per la macchina da cucire). È importante di mettere l'olio nel sistema delle ruote o nell'asso. [28](#)
- ! Quando si utilizza il passeggino sulla spiaggia, pulite completamente il carello in seguito per rimuovere la sabbia e il sale dai meccanismi e i sistemi delle ruote.

# TR Joie™ Hosgeldiniz

Joie ailesine girdiginizin icin tebrik ederiz! Sizin cocugunuz seyhatina paylasmak icin cok mut-luyuz. Joie LITETRAX™4 ile yurudugunuz zaman ve yuksek kaliteli bir cocuk arabasi kullanin, komple tasdikli, EN 1888-2012 avrupa standartlarina gore onayli. Urun en fazla 15 Kg cocugularin icin tasarlanmistir. Isbu kilavuz cok dikkatli okunuz ve cocugunuz en iyi korunmasi icin ve rahat bir gezmekicin tum adimlarin uygulanin.

## ONEMLI- Kullanim kilavuzu ileride referans olarak kullan-mak uzere saklayiniz.

Klavuzlarin yuklenmesi icin Joiebaby.com adresine ziyaret edin ve daha fazla Joie ilginc urunlerin gorun

Garanti bilgisi icin lutfen joiebaby.com adresindeki web sitemizi ziyaret edin

## Icindekiler

Fotograflar	1-7
UYARILAR	67
<b>Cocuk arabasi montaji</b>	<b>68</b>
Cocuk arabasi acilmasi	68
Montaj & Sökme tekerlek montaji	68
Montaj & Sökme tekerlekler montaji	68
Montaj & Sökme cubugun montaji	69
Golgelik montaji	69
<b>Cocuk arabasi calismasini</b>	<b>69</b>
Sirtlik ayari	69
Toka kullanimi	69
Omuz ve bel kemerleri kullanimi	69
Destek ayagi ayari	69
On mili bloke kullanimi	70
Fren kullanimi	70
Golgelik kullanimi	70
Cocuk arabasi katlanmasi	70
Aksesuar kullanimi	70
<b>Bakim ve onarim</b>	<b>72</b>

## Acil

Acil ve kaza durumlarda, ilk once cocugunuz bakin ve ilk yordim ve tedavi vermek cok onemlidir

## Urunile ilgili bilgileri

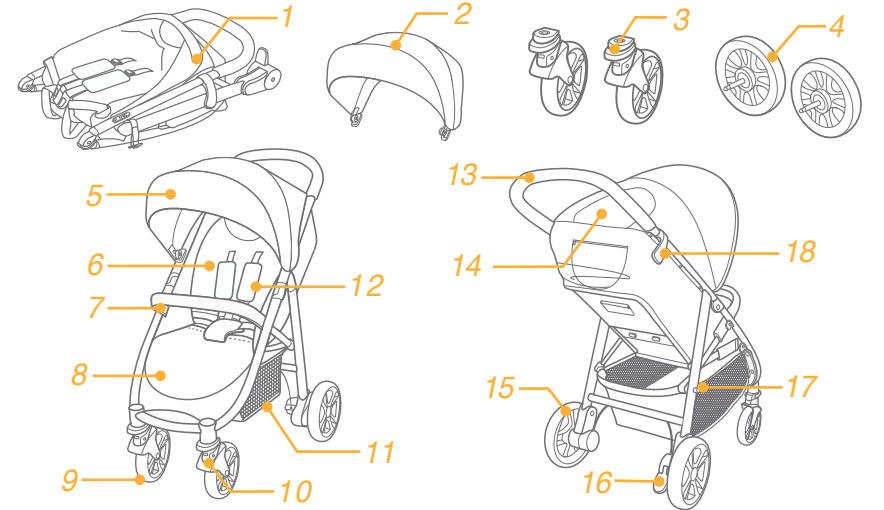
Urunun kullanmadan once kullanma klavuzundan tum taliatlarin okunun. Eger sorun varsa tucarinin arayin. Bazem özellikler modele gore degisir.

<b>Urun</b>	Litetrax™4 cocuk arabasi
<b>Uygunluk</b>	15 kg a kadar cocuklar icin (dogumdan -36 ay a kadar)
<b>Malzemeler</b>	Plastik, Demir ve kumas
<b>Patent no.</b>	Alinmak durumunda
<b>Uretilmis ulkede</b>	Cin
<b>Marka adini</b>	Joie
<b>Site web</b>	www.joiebaby.com
<b>Uretici</b>	JoieChildren's Product (UK) Limited

## Parca listesi

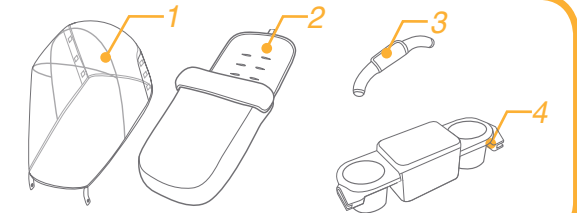
Montaj icin tum parcalari kullanilabilir oldugundan emin olun. Parcalari eksik olursa , yerel tucarin ile irtibat kurun. Montaj icin alet gerekmez.

1 Cocuk arabanın	5 Golgelik	10 Mil kilidi	15 Arka tekerlek
cercevesi	6 Minder	11 Depolama sepeti	16 On fren pedali
2 Golgelik	7 El cubugu	12 Omuz kemeri	17 Depolama desteği
3 On tekerlekler	8 Destek ayagi	13 Kol	18 Depolama kiliti
4 Arka tekerlekler	9 On tekerlek	14 Pencere	



## Aksesuarlar (Satın alınan urune dahil olmayabilir)

1 yağmur kapak
2 Ayak ortusu
3 tampon çubuğu kumaş örtü
4 ebeveyn tepsi



## UYARILAR

- ! UYARI! Emniyet sistemi kullanınız.
- ! DIKKAT Bel ve ayak arası kemerleri kullanın. Sirt için kemeri kullanmaya tevsi ediyoruz.
- ! DIKKAT Kullanmaktan önce, tüm mandalların aktif olduğundan emin olun
- ! DIKKAT Çocuk ürünü ile oynamasını bırakmayın.
- ! DIKKAT Kullanmadan önce, koltuğun bagalanti cihazları ve puset gövdesi sabitleştirmesini doğru olduğuna emin olun.
- ! Montajı yetişkinler tarafından yapılır.
- ! Puset maksimum 15 kg a kadar çocuklar için üretilmiş. Yanlış bir ağırlık puseti bozabilir
- ! Telikli şartları ve sabitleşme eksikliğini önlemesi için , esya taşıma sepetinde 4,5 Kg fazla ağırlı koymain.
- ! Ana tepsinin önerilen en fazla ağırlığı 1,36 kg'dır.
- ! Cocuğunuzu yalnız bırakmak tehlikeli olabilir. Puset icinden bulunduğu zaman her zaman cocuğunuzu bakın.
- ! Puseti sağdece çocuğu için kullanın. Puset kollarına ve golgeliklerine cantalar, alisveris ile içinde bulunan posetlerin, paket veya aksesuarları koymayın.
- ! Fazla yük koyduğunuz zaman, yanlış katlamadığı zaman veya başka üreticinin parçaları kullandığınız zaman puset hasarlanabilir, bozabilir ve sabit olmayabilir. Kullanma Klavuzuna çok dikkatle okunun.
- ! Başka üreticilerden parçalarını pusetine kullanmayın.
- ! Cocuğunuzu yalnız bırakmak tehlikeli olabilir. Puset icinden bulunduğu zaman her zaman cocuğunuzu bakın. İşbu uyarıların ve kullanma klavuzunun yazılanların uygulanmaması tehlikeye veya olumsuz yol açabilir.
- ! Emniyet kemerlerin ve bagalanma sistemleri doğru kullanmasına gerekiyor.
- ! Kayma veya dümeden olan ağır yaralamalar önlemesi için, her zaman emniyet kemerlerin bagalayın.
- ! Puset ayarlamaları yapıldığı zaman , pusetin hareket eden yerlerde yanında çocuğu olmadığına emin olun.
- ! Emyet kemerlerin kullanmadığınız zaman, ayak için boş yerlerde çocuğu kayabilir ve bogulabilir.
- ! Merdivenlerin veya yürüyen merdivenlerinde puseti kullanmayın.
- ! Yüksek sıcaklıkta, sivi ve elektronik nezmeler uzak tutun
- ! Çocuğu, puset içinde ayakta durmasını veya kafasını puset önünde durmasını bırakmayın.
- ! Sokakta, egim pozisyona ve tehlikeli yerlerde bırakmayın
- ! Puset kullanmadan önce tüm cihazları sabitleştirmesine emin olun.
- ! Bogulmasını önlemesi için, cocuğun bogaazın yanında ip ile olan nezneler, ürün askıya elemanlar, ve ip ile bagalanmış oyuncakları bırakmayın.
- ! Devirmesini önlemek için kolda his bir şey koymayın.
- ! Cocuğun icinden ldüğün zaman puseti kaldırmayın.

- ! Cocuğun taşınması için seati kullanmayın.
- ! Devirmesi önlemek için cocuğun kendisi puseti girmesine bırakmayın. İçinde vedisariya siz cocuğun koyun.
- ! Parmakların sıkıstirmamasını için, çok dikkatli puseti açın ve katlanın.
- ! Cocuğun yanında bırakmadan önce puset tam açık ve katlanmış olduğuna emin olun.
- ! Cocuğun güvenliği sağlanmak için, kullanmadan önce pusetin tüm parçaları iyi monte ve sabitleştirme yaptığınızdan emin olun.
- ! Bogulması önlemesi için , cocuğun golgelik yanında olamadığına emin olun.
- ! Puset durduğunuz zaman , frenleri aktive yapın.
- ! Puset hasarlı veya bozuk olursa özaman onun kullanmayın
- ! Normal yürümek hızı ile puseti kullanılacak. Ürün kosma amacına yapılmamış.
- ! Cocuğun bogulmamasını için, işbu ürün kullanmadan önce plastik ambalajı çıkarın. Plastik torbaları ve ambalajları bebeklerden ve küçük çocukların uzak durmasına gerekiyor
- ! Kosmak ve kaymak yaptığınız zaman ürünün kullanmayın.
- ! Doğumdan itibaren hamak tasarlanmış, ve yeni doğan bebekler için maksimum egim pozisyona ayarlanmasını kullanmaktan tavsi ediyoruz.
- ! Park etme cihazın, cocuğun puset içinde koyduğunuz ve çıkartığınız zamanda aktive edin.
- ! Bebeğe veya bebek arabasına zarar verebilecek herhangi bir eşyayı ebeveyn tepsisine yerleştirmeyin.
- ! Kasayla birlikte kullanılan otomobil koltuklarında, bu araç çocuk karyolasının veya yatağının yerine geçmez. Çocuğunuzun uyuması gerekiyorsa, uygun bir çocuk arabasına, çocuk karyolasına veya yatağına yatırılması gerekmektedir.
- ! Kendisi ayakta duran , yanda kendine civiren ve dizlerin üstünde yürüyen bir çocuk için portatif besliik kullanmayın.Cocuk maksimum ağırlık 9 Kg olması gerekiyor.
- ! Portbebe ile verilen yataktan başka yatak kullanmayınız ve yatak eklemeyiniz.

## Cocuk arabasi montaji

Ürünü monte ve kullanmadan önce kullanım klavuzunun talimatları çok dikkatli okuyun

### Cocuk arabasi acmasini

#### 1 - 2 arası görsellere bakın

Depolama kiliti depolama destekten ayırın 1 ve sonradan kolu yukarıya kaldırın , bir ses duyduğuna zaman bebek arabası tamamen açık olduğu anlamına gelir. 2

! Devam etmeden önce, ürünün tam açıldığına kontrol edin

### Montaj & Sökme tekerlek montaji

#### 3 - 4 arası görsellere bakın

## Montaj & Sökme tekerlekler montajı

5 - 6 arası görsellere bakın

## Montaj & Sökme cubugun montajı

7 - 8 arası görsellere bakın

## Golgelik montajı

9 - 10 arası görsellere bakın

11 Fotoğraftan monte edilmiş bebek arabasını gösteriyor.

# Bebek arabası çalıştırmasını

## Arkalık ayarı

12 - 13 arası görsellere bakın

Arkalık 4 tane acıların var.

Sirtliğin ağınması için , ayarlanma düğmesini sıkıştırın ve sonradan istediğin acından arkalıđın için. 12

Arkalığı kaldırmak için yukarıya itin. 13

! kullanmak için olan için uygun olduğuna emin olun.

## Toka kullanımı

14 - 15 arası görsellere bakın

Toka brakması

Tokaya serbest brakması için merkezden bulunan düğmenin bastırın. 14

Tokenin blokesi

Omuz ve bel tokasını ayarlayın 15 - 1 ve ortadan bulunan tokasını içinde sokun 15 - 2 bir ses duyduğunuz zaman komple kapanmış demektir. 15 - 3

! Cocuđın kaymasın ve düşmesin nedeni ile olan ağır yaralar önlemek için, her zaman bagalana emniyet kemerlerin ile korun.

! Cocuđın sabit koyduğuna emin olun. Cocuđuk ve kemer arasında boşlukların yaklaşık bir elde olmasını gerekiyor.

! Emniyet keelerinin bir birne gecirmeyin. Böylece cocuđun boyunu bastırıyorsunuz.

## Omuz ve boy kemerlerin kullanımı

16 - 19 arası görsellere bakın

! Düşme nedenlerini cocuđu koruması için, cocuđun sandalyede koyduktan sonra, emniye kemerlerin uygun yüksekliğine ve uzunluđuna takıldığını kontrol edin.

16 - 1 Omuzların bagalanması için emniyet kemeri cihazı A

16 - 2 Omuzların bagalanması için emniyet kemeri cihazı B

16 - 3 Ayarlama cihazı

Buyuk cocular için kemerlerin bagalanmak cihazı omuz için A, ve yukardaki olan delikleri için kullanın. Kucuk cocukları için kemerlerin bagalanmak cihazı omuz için ve asagıdaki olan delikleri için kullanın

Pozisyonu ayarlamak için omu için emniyet kemeri bagalanmak cihazı kullanın ve on tarafın seviyesini a kadar kolu çevirin. Arka kemeri deliğinden cihazı onunde çekirin. 17 Yeniden cocuđun en yüksek omuzların pozisyona en yakın delikten cihazın çekirin. 18

Kemerlerin uzunluđunu ayarlanması için yanlanma cihazı kullanın. 19 - 1 19 - 2

Düğmeye bastırın , ve aynı zamanda istediğin ölçüde orta keeri çekirin. 19 - 3

## Ayak desteđi ayarlanması

18 arası görsellere bakın

Ayak için desteđi 2 pozisyonu ver.

Ayak için desteđi kaldırması

Ayak için desteđi kaldırması için onun kaldırın. Bir ses duyduğunuz zaman ayak için desteđi sabitleştirene demektir.

Ayak desteđi indirmesi

Ayak için desteđin ayarlama düğmelerini tüm tarafları bastırın 20 - 1 ve ayak desteđi cihazın asagıda çevirin. 20 - 2

## On mili blokenin kullanımı

21 arası görsellere bakın

Haraket yönü tutmak için on mili bloke cihazları çekin 21

**Fikir** Mili bloke cihazı kullanmasını düđun yüzeylerinde kullanmasına tavsiye edilir.

## Utilizzo del freno

22 - 23 arası görsellere bakın

Tekerlekler bloke etmek için fren pedalları asagıdaki bastırın. 22

Tekerlekler serbest brakması için fren pedallarını kaldırın. 23

**Fikir** Bebek arabası durduğunuz zaman her zaman freni kullanın..

## Golgelik kullanımı

24 arası görsellere bakın

Golgelik açmak veya katlanmak için onunde veya arkaya çekin.

Bebegin gunsten korumak için kancanın acilinceye golgelik komple açilir 24 ve golgelik onunde çekin.

Golgelik bir penceresi var ve o pencerede cocuđu görebilirsiniz.

! Tepelik cebinin toplam maksimum ağırlığı 0,5 kg'ı AŞMAMALIDIR

## Bebek arabası katlanması

25 - 27 arası görsellere bakın

! bebek arabası katlanmadan önce golgeligi katlanın.

1. Katlanma filesi yukarıya çekirin ve çerçevesi arkada otomatik katlanacak. 25 - 1

2. Depolanma için kilidi depolama desteđinde otomatik bagalanacak, ve sonradan bebek arabası katlanabilir ve komple bloke edebilir. 26

3. Bebek arabası katlandığında durabilir. 27

## Aksesuar kullanımı

Satın alınan urune dahil olmayabilir.

## Joie oto koltugu il beraber kullanımı

Joie gemm oto koltugu ile beraber kullandigin zaman asagidaki yazilan talimatları okuyun.

- ! Çocuk oto koltuğunu kullanmada problem yaşıyorsanız lütfen oto koltuğunun kendi kullanma kılavuzuna bakınız.
- ! Çocuk oto koltuğu takılı iken lütfen arabayı kapatmaya çalışmayınız.

## Joie Portatif Karyolayla Kullanım

### 29 arası görsellere bakın

Joie ramble portatif karyolayla kullanırken lütfen aşağıdaki talimatlara başvurun. 29

- ! Portatif karyolayı kullanma konusunda herhangi bir sorun yaşıyorsanız, lütfen ilgili talimat kılavuzlarına başvurun.
- ! Portatif karyolayı kullanırken mutlaka şilteden yararlanın.
- ! Portatif karyolayı takarken lütfen bebek arabasını katlamayın.

## Yagmur ortusu kullanımı

### 30 arası görsellere bakın

Yagmur ortusu montajı etmesi için , ilk önce bebek arabasına ustunde yerlestirin ve sonradan olan cif 8 adet zimbalar yapistirin. 30

- ! Yagmur ortusu kullanmadan önce , en düşük pozisyona olan arkalinin ayarlandigina ve cocugu sandalyesi sabitlestigine emin olun.
- ! Yagmur ortusu kullandigin zaman havalandirmasini kontrol edin.
- ! Yagmu ortusu kullanmadigin zaman , katlanmadan nce temizlendigine ve kurulduguna emin olun.
- ! Kesimi ve yırtmasin onlemek için yagmur ortusu bebek arabasin ustunde cikartin.
- ! Yagmur ortusu montaj edildigikten sonra bebek arabasini katlanmayin.
- ! Sıcak mevsinden montaj edildiğın yagmur ortusunu cocugunuz bebek arabasi icinde koymayin.

## Ayak ortusu kullanımı

### 31 - 33 arası görsellere bakın

## Ebeveyn tepsi

### 34 - 36 arası görsellere bakın

- ! Bebeğe veya bebek arabasına zarar verebilecek herhangi bir eşyayı ebeveyn tepsinine yerleştirmeyin.

## Bakim ve onarım

- ! Cikarilan minderler soguk suyu ile yikanilabilir ve kurutmak için dogal kurulmasini brakilacak. Camasir suyu kulanmayin
- ! Puset cercevisi temizlenmek için normal sabon kullanin ve sicak suyu. Deterjan ve camasir suyu kullanmayin.
- ! Surekli puset gevsemis vidalar, parcalarin bozulmasina, kumas yırtmasina ve yapistirmis nezneler ve dikislerine için kontrol edin. Yedek parcalarin degisirin veya amir edin.
- ! sicaktan veya guneste uzun zaman kaldigindan urunun solmasini ve parcalarin deforme olmasini nedeni olabilir.
- ! Eger pusetin islanmasini olursa , gogeligi acin ve depolamadan önce iyi kurutmasina brakin.
- ! Eger tekerleklerden ses gelirse, hafif bir yag kullanin( örnek olarak silikonlu bir spray, paslanmaya karsi bir yag, veya dikis makinelerin için bir yag kullanin). Tekerlek toplugumunda ve aksina yag koymasini onemlidir. 23
- ! Eger puset plajda kullanirsa, ozaman kullanildigikten sonra kumu ve tuzu tekerleklerin topluluktan ve mekanizmalardan uzaklastimak için komple temizlenin .

## RU Поздравляем!

Поздравляем вас с тем, что вы стали частью семьи Joie! Мы очень рады быть частью путешествия вашего малыша. Во время путешествия с Joie LITETRAX™4, вы будете использовать высококачественную, полностью сертифицированную коляску. Этот продукт подходит для использования детей весом до 15кг. Пожалуйста, внимательно прочтите это руководство, чтобы обеспечить комфортное путешествие и наилучшую защиту для вашего ребенка.

### Пожалуйста, храните руководство по эксплуатации для дальнейшего использования.

Посетите сайт [joiebaby.com](http://joiebaby.com), чтобы скачать инструкцию или увидеть больше интересных товаров Joie.

Для получения информации по гарантии, пожалуйста, посетите наш сайт [joiebaby.com](http://joiebaby.com)

## Содержание

Изображения	1-7
Предостережения	75
<b>Сборка коляски</b>	76
Открытие коляски	76
Монтаж и демонтаж передних колёс	76
Монтаж и демонтаж задних колёс	76
Монтаж и демонтаж Сборка бампера	76
Сборка капюшона	76
<b>Использование коляски</b>	77
Регулировка наклона спинки	77
Использование пряжки	77
Использование плечевого и поясного ремня	77
Регулировка подножки	77
Использование фиксатора передних колёс	78
Использование тормоза	78
Использование капюшона	78
Складывание коляски	78
Аксессуары	78
Обслуживание и уход	79

## Непредвиденный случай

В случае чрезвычайной ситуации или аварии, самое главное, чтобы вашему ребенку была оказана своевременная медицинская помощь.

## Информация о коляске

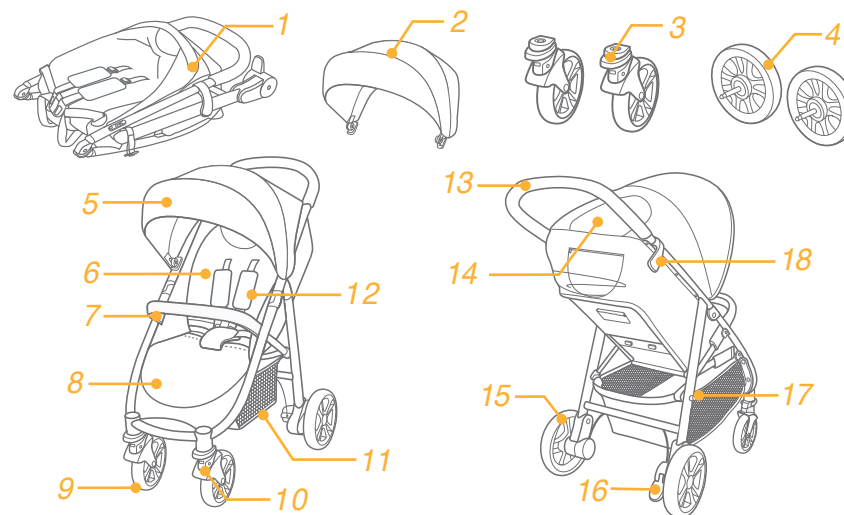
Перед началом использования обязательно прочтите все инструкции в этом руководстве. Если у вас возникли дополнительные вопросы, обращайтесь к продавцу. Некоторые функции могут отличаться в зависимости от модели.

<b>Наименование</b>	Коляска Litetrax™4
<b>Пригодно для</b>	Ребёнка до 15кг (От рождения до 36 месяцев)
<b>Материал</b>	Пластик, металл, текстиль
<b>Патент №</b>	В ожидании патента
<b>Сделано в</b>	Китае
<b>Бренд</b>	Joie
<b>Веб-сайт</b>	<a href="http://www.joiebaby.com">www.joiebaby.com</a>
<b>Производитель</b>	Joie Childrens Products (UK) Limited

## Схема

Пожалуйста, перед сборкой убедитесь, что все составляющие в комплекте и обратитесь к продавцу, в случае отсутствия какой-либо части комплектации. Для сборки не нужны инструменты.

1 Коляска	6 Подушка сиденья	11 Корзинка	16 Тормоз
2 капюшон	7 Бампер	12 Плечевые ремни	17 Фиксаторы сложенного состояния
3 Передние колёса	8 Подножка	13 Ручка	
4 Задние колёса	9 Передние колёса	14 Окошко	
5 Капюшон	10 Фиксатор колёс	15 Задние колёса	



## Дополнительные аксессуары (не включены в основную комплектацию)

- 1 Дождевик
- 2 Чехол на ноги
- 3 Чехол для бампера
- 4 Лоток для родителей



## Предостережения

- ! **ВНИМАНИЕ** Всегда используйте ремни безопасности.
- ! **ВНИМАНИЕ** Перед использованием убедитесь, что все механизмы защёлкнуты.
- ! **ВНИМАНИЕ** Не позволяйте ребенку играть с коляской.
- ! Использование коляски ребенком весом более 15кг может привести к повреждению коляски.
- ! Не кладите более 4,5кг в корзину, это может привести к нестабильности коляски и опасности.
- ! Никогда не оставляйте ребенка без присмотра. Всегда держите ребенка в поле зрения, пока он в коляске.
- ! Никогда не сажайте нескольких детей в коляску. Никогда не вешаете сумки, пакеты на ручку коляски или капюшон.
- ! Перегрузка, неправильное складывание или использованием комплектующих производителей может привести к поломке коляски. Внимательно читайте руководство по эксплуатации.
- ! Пожалуйста, прочтите все инструкции в данном руководстве перед использованием коляски. Пожалуйста, храните руководство по эксплуатации для дальнейшего использования.
- ! Ремни безопасности обязательно нужно использовать правильно.
- ! Ребёнок может сползти из коляски, если не использовать ремни безопасности.
- ! Убедитесь, что ваш ребёнок защищён от движущихся частей при регулировке коляску.
- ! Никогда не используйте коляску на лестницах и эскалаторах.
- ! Беречь от объектов высокой температуры, жидкостей и электроники.
- ! Никогда не позволяйте вашему ребенку стоять или сидеть в коляске против хода движения.
- ! Никогда не оставляйте коляску на дорогах, склонах или опасных местах.
- ! Удостоверьтесь, что все части коляски собраны правильно.
- ! Во избежание удушья, не вешайте предметы на шею вашего ребенка.
- ! Не ставьте ничего на ручку коляски, чтобы избежать переворачивания коляски.
- ! Не поднимайте коляску вместе с ребёнком.
- ! Не используйте корзину как переноску для ребёнка.
- ! Во избежание опрокидывания, никогда не позволяйте ребенку залезать в коляску самому. Всегда поднимайте и сажайте вашего ребёнка.
- ! Во избежание защемления пальцев, будьте внимательно во время складывания коляски.
- ! Удостоверьтесь, что коляска полностью сложена или разложена, прежде чем подпускать ребёнка.
- ! Для безопасности вашего ребенка, пожалуйста, убедитесь, что все механизмы закреплены, прежде чем использовать коляску.

- ! Всегда зажимайте тормоза при парковке коляски.
- ! Прекратите использовать коляску, если она повреждена или сломана.
- ! Коляска предназначена для ходьбы с ней. Она не рассчитана на бег.
- ! Во избежание удушья, снимите всю упаковку перед использованием коляски. Пластиковые пакеты и другие упаковочные материалы нужно держать вдали от детей.
- ! Коляска не предназначена для бега или катания на ней.
- ! Если коляска используется с переноской, то рекомендуется откинуть спинку на максимум.
- ! Всегда зажимайте тормоза когда усаживаете или вытаскиваете ребёнка из коляски.
- ! Коляска в сочетании с переноской не заменяет кровать. Если ваш ребёнок хочет спать, то он должен спать в кровати.
- ! Не ставьте на лоток предметы, которые могут причинить вред малышу и коляске.
- ! Данная люлька-переноска предназначена только для детей, которые не могут сидеть самостоятельно, перекачиваться и подниматься на руках и коленях. Максимальный вес ребенка: 9 кг.
- ! **НЕДОПУСТИМО** использовать или добавлять какой-либо матрас, кроме матраса, входящего в комплект поставки данной люльки-переноски.

## Сборка коляски

Перед сборкой и использованием коляски, пожалуйста, прочтите руководство полностью.

### Открытие коляски посмотрите рисунок 1 - 2

Отсоедините фиксатор 1, а затем поднимите ручку вверх 2. Звук щелчка будет означать, что коляска полностью открыта.

! Перед продолжением, удостоверьтесь, что коляска полностью открыта.

### Монтаж и демонтаж передних колёс посмотрите рисунок 3 - 4

Вставьте передние колёса в отверстия. Убедитесь, что оклеса надёжно зарепплены, потянув их обратно. 3  
Разожмите штырьки 4 - 2, чтобы отсоединить колесо. 4 - 1

### Монтаж и демонтаж задних колёс посмотрите рисунок 5 - 6

Вставьте задние колёса в отверстия. Убедитесь, что колеса надёжно закреплены, потянув их обратно. 5  
Нажмите на кнопку 6 - 2, чтобы отсоединить колесо. 6 - 1

### Монтаж и демонтаж Сборка бампера посмотрите рисунок 7 - 8

## Сборка капюшона посмотрите рисунок 9 - 10

Полностью собранная коляска показана на рис 11

## Использование коляски

### Регулировка наклона спинки посмотрите рисунок 12 - 13

У спинки есть 4 уровня наклона.

Чтобы откинуть спинку, нажмите рычаг регулировки спинки 12 и опустите спинку. 13 Чтобы поднять спинку, нажмите рычаг и поднимите ее.

! Перед использованием коляски убедитесь, что уровень наклона спинки выставлен правильно.

### Использование пряжки посмотрите рисунок 14 - 15

#### Расстегнуть пряжку

Нажмите центральную кнопку, чтобы расстегнуть пряжку. 14

#### Застегнуть пряжку

Соедините поясную и плечевую пряжку 15 - 1, и защёлкните с центральной пряжкой. 15 - 2

Щелчок означает, что пряжка полностью собрана. 15 - 3

! Чтобы избежать серьезных травм от падения, обязательно закрепляйте вашего ребенка ремнями.

! Убедитесь, что ваш ребёнок хорошо закреплён и пространство между ребенком и ремнём примерно равно толщине одной руки.

! Не перекрещивайте ремни безопасности, они могут давить на шею ребёнка.

### Использование плечевого и поясного ремня посмотрите рисунок 16 - 19

! После того как вы пристегнули ребёнка, проверьте высоту и длину ремней безопасности.

16 - 1 Якорь плечевого ремня безопасности А

16 - 2 Якорь плечевого ремня безопасности В

16 - 3 Регулятор

Для крупного ребенка, используйте якорь А и самый высокий слот. Для маленького ребенка, используйте якорь В и самый низкий слот.

Чтобы изменить положение плечевого ремня, вытащите якорь через отверстие в спинке. 17 и проденьте его через отверстие, которое ближе по высоте к плечам ребёнка. 18

Используйте регулятор для изменения длины ремней. 19 - 1

Зажмите кнопку 19 - 2, и настраивайте нужную длину поясного ремня безопасности. 19 - 3

### Регулировка подножки посмотрите рисунок 20

У подножки есть 2 уровня наклона.

Чтобы поднять подножку, просто толкайте её. Щелчок будет означать, что подножка поднята и зафиксирована.

Чтобы опустить подножку, нажмите на кнопки по обе стороны подножки 20 - 1, и опустите её вниз. 20 - 2

### Использование фиксатора передних колёс посмотрите рисунок 21

Опустите вниз фиксатор, чтобы зафиксировать колёса. 21

**Подсказка** Рекомендуется зафиксировать колёса на неровной поверхности.

### Использование тормоза посмотрите рисунок 22 - 23

Чтобы зафиксировать тормоза, нажмите на педаль тормоза. 22

Поднимите педаль, чтобы освободить их. 23

**Подсказка** Всегда используйте тормоз, когда коляска стоит.

### Использование капюшона посмотрите рисунок 24

Капюшон можно открыть или закрыть, просто потяните или сложите его.

Чтобы полностью открыть капюшон и защитить вашего ребёнка от солнца, расстегните молнию и раскройте его. 24

На капюшоне есть окошко, через которое вы можете видеть ребёнка.

Сверните ткань и закрепите её.

! В карман на капюшоне нельзя класть больше 0,5кг.

### Складывание коляски посмотрите рисунок 25 - 27

! Сложите капюшон перед складыванием коляски.

1. Дёрните за ручки и коляска сложится автоматически. 25 - 1

2. Фиксатор автоматически закроется, когда коляска будет полностью сложена. 26

3. В сложенном положении коляску можно поставить вертикально. 27

### Аксессуары

Количество дополнительных аксессуаров зависит от вашего региона и может продаваться отдельно.

### Использование с авто-люлькой Joie

При использовании автолюльки Joie Gemm, следуйте инструкциям.

! В случае возникновения проблем при использовании автокресла, изучите руководство по эксплуатации данного автокресла.

! Не складывайте коляску с авто-люлькой.



## Использование с люлькой-переноской Joie посмотрите рисунок 29

При использовании с люлькой-переноской Joie Ramble соблюдайте следующие инструкции. 29

- ! В случае возникновения любых проблем при использовании люльки-переноски ознакомьтесь с руководством по эксплуатации люльки.
- ! При использовании люльки-переноски всегда используйте матрас.
- ! Не складывайте коляску с установленной люлькой-переноской.

## Дождевик

Чтобы закрепить дождевик, натяните его на коляски и закрепите 8 липучек на коляске. 30

- ! Перед использованием дождевика, пожалуйста, убедитесь, что спинка была установлена в самое низкое положение и переноска закреплена.
- ! Пожалуйста, проверяйте вентиляцию при использовании дождевика.
- ! Перед тем как сложить дождевик, убедитесь что он чистый и сухой.
- ! Не складывайте коляску с дождевиком на ней.
- ! Не сажайте вашего ребёнка в коляску с дождевиком в жаркую погоду.

## Чехол на ноги

посмотрите рисунок 31 - 33

## Лоток для родителей

посмотрите рисунок 34 - 36

- ! Не ставьте на лоток предметы, которые могут причинить вред малышу и коляске. В сложенном положении коляску можно поставить вертикально.

## Обслуживание и уход

- ! Подушку сиденья можно стирать в холодной воде и сушить, не выжимая её. Не используйте отбеливатель.
- ! Чтобы очистить раму коляски, используйте мыло и тёплую воду. Не используйте отбеливатель или моющее средство.
- ! Время от времени, проверяйте коляску на предмет раскрутившихся болтов, изношенных деталей, порванного текстиля или разошедшихся швов. Поменяйте или отремонтируйте непригодные части.
- ! Воздействие солнечных лучей или жара может привести к выцветанию или деформации деталей.
- ! Если коляска намочла, то откройте капюшон и дайте ей высохнуть, перед тем как её убрать.
- ! Если колёса скрипят, используйте жидкое масло (например: силиконовый спрей, антикоррозийное масло или масло для швейных машин). Важно, чтобы масло попало на ось колеса. 28
- ! После использования коляски на бездорожье, полностью очистите её, чтобы удалить песок и грязь с механизмов и колесных узлов.

## PL Gratulacje

Gratulujemy dołączenia do rodziny Joie! Cieszymy się, że możemy brać udział we wspólnej podróży z Tobą i Twoim dzieckiem. Podróż z wózkiem Litetrax™ 4 to gwarancja użytkowania wysokiej jakości, w pełni certyfikowanego wózka dziecięcego, zgodnego z europejską normą bezpieczeństwa EN:1888:2012. Wózek ten przeznaczony jest do użytkowania dla dzieci poniżej 15 kg. Prosimy o uważne zapoznanie się z instrukcją obsługi i użytkowanie wózka zgodnie ze wskazówkami w niej zawartymi - zapewni Ci to komfort jazdy oraz bezpieczeństwo dla Twojego dziecka.

### Ważne! Zachowaj tę instrukcję obsługi do wykorzystania w przyszłości.

Odwiedź nas na stronie joiebaby.com i zapoznaj się z produktami marki Joie.

W celu uzyskania informacji o gwarancji odwiedź naszą stronę internetową joiebaby.com

## Spis treści

Rysunki	1-7
OSTRZEŻENIA	83
<b>Montaż wózka</b>	<b>84</b>
Rozkładanie wózka	84
Montaż i demontaż przednich kół	84
Montaż i demontaż tylnych kół	85
Montaż podnóżka	85
<b>Użytkowanie wózka</b>	<b>85</b>
Regulacja oparcia	85
Użycie zapięcia pasów bezpieczeństwa	85
Użycie pasów naramiennych i biodrowych	85
Regulacja podnóżka	86
Użycie blokady obrotowego przedniego koła	86
Użycie hamulca	86
Użycie budki	86
Składanie wózka	87
Użycie akcesoriów	87
Pielęgnacja i konserwacja	88

## W razie wypadku

W razie wypadku najważniejsze jest, aby udzielić dziecku niezwłocznie pierwszej pomocy i opieki lekarskiej.

## Dane techniczne

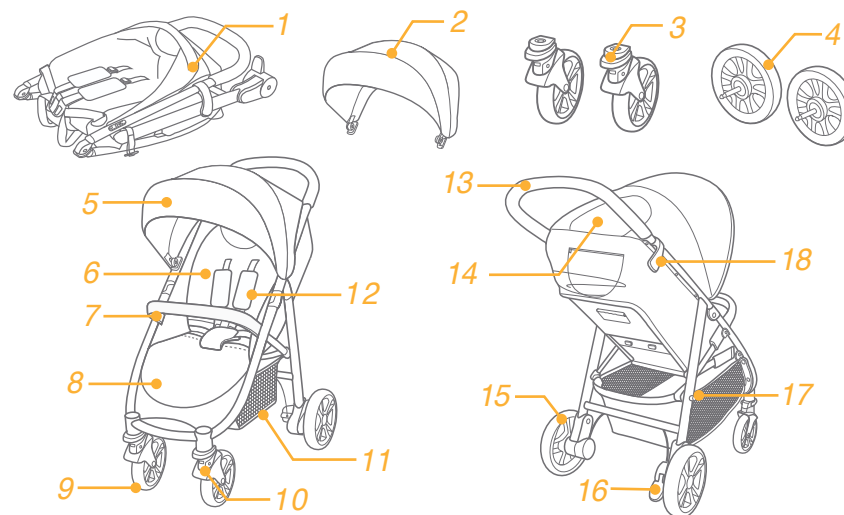
Przed rozpoczęciem użytkowania fotelika prosimy zapoznać się z instrukcją. Wszelkie dodatkowe pytania prosimy kierować bezpośrednio do punktu sprzedaży. Niektóre cechy mogą się różnić w zależności od modelu.

Produkt:	Wózek dziecięcy Litetrax™ 4
Produkt przeznaczony dla:	dzieci poniżej 15 kg (od urodzenia do 36 miesiąca)
Materiały:	Tworzywa sztuczne, metale, tkaniny
Nr patentu:	Złożono zgłoszenia patentowe
Kraj produkcji:	Chiny
Marka:	Joie
Witryna internetowa:	www.joiebaby.com
Producent:	Joie Childrens Products (UK) Limited

## Spis części

Przed montażem upewnij się, że nie brakuje jakiegokolwiek części wózka. Jeśli brakuje jakiegolwiek części, skontaktuj się ze swoim sprzedawcą. Żadne dodatkowe narzędzia nie są wymagane do montażu.

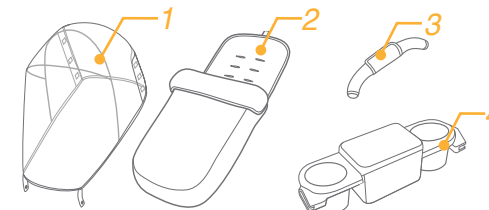
- |                  |  |                     |                               |
|------------------|--|---------------------|-------------------------------|
| 1. Stelaż wózka  | 7. Pałęk                               | 12. Pasy naramienne | 17. Bolec blokady składania   |
| 2. Budka         | 8. Podnózek                            | 13. Rączka          | 18. Zatrask blokady składania |
| 3. Przednie koło | 9. Przednie koło                       | 14. Okienko         |                               |
| 4. Tylnie koła   | 10. Blokada przedniego obrotowego koła | 15. Tylnie koła     |                               |
| 5. Budka         | 11. Kosz                               | 16. Hamulec         |                               |
| 6. Siedzisko     |  |                     |                               |



## Akcesoria dodatkowe

(Mogą nie być dołączone do zestawu z wózkiem)

1. Osłona przeciwdeszczowa
2. Śpiworek
3. Pokrowiec na pałęk
4. Tacka-organizer dla rodzica



## OSTRZEŻENIA

- ! OSTRZEŻENIE Zawsze należy używać fotelika.
- ! OSTRZEŻENIE Zawsze należy używać pasa krokowego w połączeniu z pasami biodrowymi. Zaleca się także używać pasów naramiennych.
- ! OSTRZEŻENIE Upewnij się, że wszystkie mechanizmy składania zostały zablokowane.
- ! OSTRZEŻENIE Nigdy nie pozwalaj Twojemu dziecku na zabawę tym produktem.
- ! Przed użyciem sprawdź, czy urządzenia mocujące gondolę, siedzisko lub fotelik samochodowy są prawidłowo podłączone.
- ! Do montażu wózka wymagana jest wyłącznie osoba dorosła.
- ! Wózek powinien być używany wyłącznie dla dzieci poniżej 15 kg. Używanie wózka dla dzieci powyżej tej wagi powoduje jego uszkodzenie.
- ! Aby uniknąć zagrożenia dla stabilności wózka, nie należy umieszczać w koszu do przechowania przedmiotów o wadze powyżej 4,5 kg.
- ! Maksymalne obciążenie tacki-organizera dla rodzica wynosi 1,36 kg.
- ! Nigdy nie pozostawiaj dziecka bez opieki. Zawsze uważaj na dziecko pozostawione w wózku.
- ! Wózek jest przeznaczony wyłącznie do przewożenia jednego dziecka. Nigdy nie umieszczaj torebek, toreb z zakupami, bagaży lub innych przedmiotów na ręczce lub budce wózka.
- ! Przeciążenie wózka, nieprawidłowe jego składanie lub używanie akcesoriów innych producentów może spowodować uszkodzenia, złamanie lub inne niebezpieczeństwa dla wózka. Zapoznaj się dokładnie z instrukcją obsługi wózka.
- ! Nigdy nie należy używać wózka z częściami pochodzącymi od innego producenta.
- ! Zapoznaj się dokładnie z całą zawartością instrukcji przed użyciem produktu. Zachowaj instrukcję do wykorzystania w przyszłości. Niestosowanie się do ostrzeżeń i wskazówek zawartych w instrukcji obsługi wózka może powodować poważne zranienia oraz śmierć.
- ! System zabezpieczenia i pasy bezpieczeństwa muszą być używane prawidłowo.
- ! W celu uniknięcia poważnych obrażeń w wyniku wypadnięcia lub ześlizgnięcia się dziecka z wózka zawsze używaj pasów bezpieczeństwa.
- ! Zawsze upewnij się, że dziecko znajduje się w bezpiecznej odległości od ruchomych elementów wózka w chwili montażu i regulacji wózka.
- ! Dziecko może ześlizgnąć się do otworów na nogi i udusić, jeśli pasy bezpieczeństwa nie są używane.
- ! Nigdy nie używaj wózka na schodach i schodach ruchomych.
- ! Trzymaj produkt zawsze z dala od źródeł wysokiej temperatury, płynów i elektroniki.
- ! Nigdy nie pozwalaj, aby Twoje dziecko stało na wózku lub leżało w nim z główką zwróconą do przodu wózka.
- ! Nigdy nie umieszczaj wózka na drogach, zboczach lub innych niebezpiecznych obszarach.
- ! Upewnij się przed użyciem wózka, że wszystkie mechanizmy są ustawione prawidłowo.
- ! Aby uniknąć uduszenia dziecka, NIGDY nie umieszczaj przedmiotów z sznurkami lub taśmami, pasków tego wózka lub pasków dołączonych do zabawek wokół szyi dziecka.
- ! Aby uniknąć przewrócenia wózka, NIGDY nie pozwól dziecku wspinać się na wózek. Zawsze należy podnieść dziecko i wyjąć je z wózka.

- ! NIE WOLNO podnosić wózka, gdy dziecko jest w wózku.
- ! Nigdy nie używaj kosza na zakupy do przenoszenia dziecka.
- ! Aby uniknąć przewrócenia wózka, nigdy nie pozwól dziecku wspinać się na wózek. Zawsze należy podnieść dziecko i wyjąć je z wózka.
- ! Aby uniknąć uwięzienia lub przycięcia palców, należy zachować ostrożność podczas składania i rozkładania wózka.
- ! Aby uniknąć zranienia dziecka, upewnij się, że dziecko znajduje się w bezpiecznej odległości w momencie składania i rozkładania wózka.
- ! Aby zapewnić dziecku bezpieczeństwo, upewnij się, że wszystkie części są zmontowane i prawidłowo zamocowane przed użyciem wózka.
- ! Aby uniknąć uduszenia, należy upewnić się, że dziecko znajduje się w bezpiecznej odległości od budki.
- ! Zawsze używaj hamulca w chwili postoju wózka.
- ! Zaprześć używanie wózka, jeśli jest uszkodzony lub zepsuty.
- ! Wózek jest przeznaczony wyłącznie do prowadzenia w normalnym tempie spacerowym. Wózek nie jest przeznaczony do użytkowania w czasie biegu.
- ! Nie należy umieszczać w tacce-organizera dla rodzica żadnych przedmiotów, które mogą wyrządzić krzywdę dziecku lub uszkodzić wózek.
- ! Aby uniknąć uduszenia, usuń plastikową torbę i pozostałe elementy opakowania zanim rozpoczniesz użytkowanie tego produktu. Plastikowe torby i pozostałe elementy opakowania powinny być następnie przechowywane z dala od niemowląt i dzieci.
- ! Produkt nie jest przeznaczony do biegania lub jazdy na rolkach.
- ! Wózek stosowany dla noworodków i dzieci, które nie potrafią siedzieć samodzielnie, powinien być ustawiony w pozycji leżącej.
- ! Umieszczając dziecko w wózku lub wyjmując je z niego, zawsze używaj mechanizmu hamulcowego.
- ! Używanie fotelika samochodowego w połączeniu ze stelażem wózka nie zastępuje łóżeczka lub łóżka. Jeśli Twoje dziecko potrzebuje dłuższego snu, umieść je w odpowiednio przystosowanej do tego gondoli, łóżeczku lub łóżku.
- ! Gondola nadaje się wyłącznie dla dziecka, które nie potrafi samodzielnie siadać, przewracać i podnosić się w górę na rękach lub kolanach. Maksymalna waga dziecka: 9 kg.
- ! NIE używaj i nie dodawaj żadnego innego materaca niż dostarczony z tą gondolą.

## Montaż wózka

Prosimy o uważne zapoznanie się z całą instrukcją obsługi przed przystąpieniem do montażu i użytkowaniem tego wózka.

### Rozkładanie wózka

patrz rys ① - ②

Uwolnij bolec z zatrzasku blokady składania wózka ①, następnie unieś rączkę do góry ②, dźwięk "kliknięcia" oznacza, że wózek jest rozłożony poprawnie - w celu upewnienia się naciśnij lekko siedzisko, aż usłyszysz "kliknięcie".

- ! Upewnij się, że wózek jest poprawnie rozłożony i zablokowany przed jego użyciem.

### Montaż i demontaż przednich kół

patrz rys ③ - ④

## Montaż i demontaż tylnych kół

patrz rys 5 - 6

## Montaż i demontaż pałąka

patrz rys 7 - 8

## Montaż podnóżka

patrz rys 9 - 10

Kompletnie i prawidłowo zmontowany wózek przedstawia rys 11

# Użytkowanie wózka

## Regulacja oparcia

patrz rys 12 - 13

Wózek posiada 4 pozycje regulacji oparcia.

Obniżenie oparcia

W celu obniżenia oparcia wyciśnij rączkę znajdującą się w tylnej części oparcia i pociągnij oparcie w dół 12

Podnoszenie oparcia

W celu podniesienia oparcia, pchnij je do góry 13 .

! Upewnij się, że oparcie jest ustawione prawidłowo w celu jego użycia.

## Użycie zapięcia pasów bezpieczeństwa

patrz rys 14 - 15

Odpięcie pasów bezpieczeństwa

Naciśnij centralny przycisk w celu zwolnienia pasów bezpieczeństwa. 14

Zablokowanie pasów bezpieczeństwa

Dopasuj klamry pasów biodrowych do pasów naramiennych 15 - 1, i wepnij je do centralnej klamry pasa krokowego. 15 - 2 Dźwięk "kliknięcia" oznacza, że pasy są zablokowane prawidłowo. 15 - 3

! Aby uniknąć poważnego zranienia w wyniku wypadnięcia lub ześlizgnięcia się dziecka z wózka, zawsze używaj pasów bezpieczeństwa.

! Upewnij się, że Twoje dziecko jest ściśle zabezpieczone. Przestrzeń pomiędzy dzieckiem a pasem naramiennym nie może przekraczać grubości jednej ręki.

! Nie należy krzyżować pasów naramiennych. Może to powodować niekorzystny nacisk na szyję dziecka.

## Użycie pasów naramiennych i biodrowych

patrz rys 16 - 19

! Aby ochronić swoje dziecko przed wypadnięciem, należy - po umieszczeniu dziecka w wózku - sprawdzić, czy pasy naramienne połączone z pasem biodrowym są umieszczone na odpowiedniej wysokości i czy mają odpowiednią długość.

- 16 - 1 zaczep pasów naramiennych A
- 16 - 2 zaczep pasów naramiennych B
- 16 - 3 regulator długości pasów naramiennych

Dla większego dziecka powinny być użyte zaczepy pasów naramiennych A i wyższe szczeliny w siedzisku. Dla mniejszych dzieci powinny być użyte zaczepy pasów naramiennych B i niższe szczeliny w siedzisku.

W celu regulacji wysokości pasów naramiennych, ustaw zaczepy bokami do przodu. Przewleczy pasy przez szczeliny zgodnie ze wskazówkami na ilustracji. 17 Pas naramienny powinien być przewleczony przez szczelinę, która pozwala mu przylegać jak najbliżej ramienia dziecka. 18

W celu poprawnego ustawienia długości pasów naramiennych używaj regulatora długości pasów. 19 - 1

Naciśnij przycisk 19 - 2, i pociągnij pas biodrowy, aby poprawnie dopasować jego długość. 19 - 3

## Regulacja podnóżka

patrz rys 20

Podnóżek posiada 2 stopnie regulacji.

W celu podniesienia podnóżka wystarczy pociągnąć podnóżek ku górze. Dźwięk "kliknięcia" oznacza prawidłowe ustawienie podnóżka.

W celu obniżenia pozycji podnóżka, naciśnij oba przyciski regulacji znajdujące się po obu stronach podnóżka 20 - 1, i pociągnij podnóżek w dół. 20 - 2

## Użycie blokady przednich obrotowych kół

patrz rys 21

W celu zablokowania obrotowych przednich kół unieś oba przyciski blokady. 21

**Wskazówka** Zaleca się stosować blokadę obrotowych kół na nierównych powierzchniach.

## Użycie hamulca

patrz rys 22 - 23

Aby zablokować koła, naciśnij dźwignię hamulca w dół. 22

Aby odblokować koła podnieś dźwignię hamulca w górę. 23

**Wskazówka** Zawsze używaj hamulca w chwili postoju wózka.

## Użycie budki

patrz rys 24

Aby rozłożyć lub złożyć budkę, pchnij ją do przodu lub do tyłu.

Budka może być rozłożona całkowicie w celu dokładniejszej ochrony dziecka przed słońcem poprzez otwarcie zamka błyskawicznego 24 i pociągnięcie budki do przodu.

Budka wyposażona jest w okienko ułatwiające obserwację dziecka.

! Maksymalne obciążenie kieszonki znajdującej się w budce nie może przekraczać 0.5 kg.

## Składanie wózka

patrz rys 25 - 27

! Prosimy o złożenie budki wózka przed przystąpieniem do składania wózka.

1. Pociągnij znajdującą się w siedzisku taśmę mechanizmu składania do góry, stelaż wózka złożony się automatycznie. 25 - 1
2. Jeśli zatrzask blokady zahaczy się automatycznie na bolcu blokady, wtedy wózek jest poprawnie i całkowicie złożony. 26
3. Wózek może stać po złożeniu. 27

## Użycie akcesoriów dodatkowych

Akcesoria dodatkowe mogą być sprzedawane oddzielnie lub mogą nie być dostępne w zależności od regionu sprzedaży.

## Używanie wózka z fotelikiem/nosidełkiem dla niemowląt

W przypadku używania wózka z fotelikiem samochodowym Joie Gemm, należy zapoznać się z poniższymi wskazówkami.

- ! W przypadku jakiegokolwiek problemów dotyczących korzystania z fotelika dla dziecka, odwołaj się do jego instrukcji obsługi.
- ! Nie składaj wózka wraz z wpiętym do niego fotelikiem samochodowym.

## Korzystanie z gondoli Joie

patrz rys 29

Podczas korzystania z gondoli Joie Ramble, należy zapoznać się z treścią niniejszej instrukcji. 29

- ! Jeśli masz jakiegokolwiek problem dotyczący korzystania z gondoli, sprawdź treść niniejszej instrukcji.
- ! Podczas korzystania z gondoli zawsze używaj materaca.
- ! Nie składaj wózka, kiedy gondola jest zamontowana na nim.

## Użycie osłony przeciwdeszczowej

patrz rys 30

Aby zamontować osłonę przeciwdeszczową, umieść ją na wózku , a następnie połącz 8 par rzepów znajdujących się na osłonie przeciwdeszczowej. 30

- ! Przed użyciem osłony przeciwdeszczowej, upewnij się, że oparcie zostało dostosowane do najniższej pozycji i - w przypadku użycia fotelika samochodowego z wózkiem - fotelik został zamocowany.
- ! Używając osłony przeciwdeszczowej, zawsze sprawdzaj jej wentylację.
- ! Gdy osłona przeciwdeszczowa nie jest używana, należy sprawdzić, czy została ona oczyszczona i wysuszona całkowicie przed jej złożeniem.
- ! Nie składaj wózka po zamontowaniu osłony przeciwdeszczowej.
- ! Podczas upałów nie umieszczaj dziecka w wózku z zamontowaną osłoną przeciwdeszczową.

## Użycie śpiworka

patrz rys 31 - 33

## Użycie organizera-tacki dla rodzica

patrz rys 34 - 36

! Nie umieszczaj w organizerze żadnych przedmiotów, które mogą zaszkodzić dziecku lub uszkodzić wózek.

## Pielęgnacja i konserwacja

- ! Do czyszczenia ramy wózka należy używać tylko mydła i ciepłej wody . Nie należy stosować wybielaczy lub innych detergentów.
- ! Zaleca się okresową kontrolę wózka pod względem zużycia jego elementów, w szczególności rozdarcia i przetarcia materiałów, obłuzowania śrub i innych elementów łączących, rozdarcia szwów tkanin itd. Zużyte lub zepsute elementy należy naprawić lub wymienić.
- ! Nadmierna ekspozycja na promienie słoneczne lub wysoką temperaturę może powodować blaknięcie tkanin lub wygięcie niektórych części wózka.
- ! Jeżeli wózek jest mokry, przed schowaniem wózka rozłóż budkę i pozostaw rozłożony wózek aż do całkowitego wyschnięcia.
- ! Jeżeli koła wózka piszczą użyj lekkiego oleju (spray silikonowy, olej antykorozyjny, oleje przeznaczone do maszyn do szycia itd.). Upewnij się, że nasmarowałeś dokładnie bolce i otwory montażowe kół. 28
- ! W przypadku używania wózka na plaży należy dokładnie wyczyścić wózek i miejsca mocowania kół w celu całkowitego usunięcia piachu i soli z elementów wózka.

Gratulujeme vám, právě jste se stali součástí rodiny JOIE! Jsme nadšeni z toho, že se stáváme součástí cest s vaším malíčkým. Při cestách s Litetraxem 4 používáte vysoce kvalitní, plně certifikovaný kočárek, schválený dle evropského bezpečnostního standardu EN 1888:2012. Tento výrobek je vhodný pro děti od narození do 15kg.

Přečtěte si prosím pečlivě tento návod a držte se pečlivě zde uvedených instrukcí, čímž si zajistíte komfortní jízdu a nejlepší ochranu pro své dítě.

## DŮLEŽITÉ! Uchovejte tento návod pro budoucí použití!

Pro informace o záruce navštivte naše internetové stránky na [www.joiebaby.com](http://www.joiebaby.com)

## Obsah

Obrázky	1-7
UPOZORNĚNÍ	91
Sestavení kočárku	92
Rozložte kočárek	92
Nasaďte a vyjměte přední kolečka	92
Nasaďte a vyjměte zadní kolečka	93
Nasaďte a vyjměte madlo	93
Obsluha kočárku	93
Nastavení sklonu zádové opěrky	93
Používání spony pásů	93
Používání ramenních a bočních pásů	93
Používání opěrky nohou	94
Používání aretace předních kol	94
Používání brzdy	94
Použití boudy	94
Použití doplňků	95
Použití pláštěnky	95
Použití Nánožníku	95

Doplňky mohou být prodávány zvlášť, nebo nemusí být dostupné v závislosti na aktuální nabídce.

## Informace o produktu

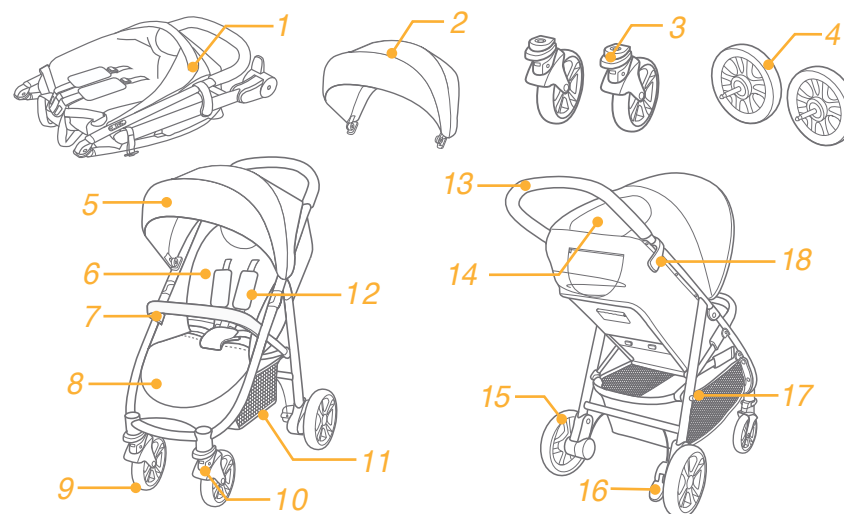
Přečtěte si pečlivě tento manuál. Máte-li další dotazy, konzultujte je s prodejcem. Některé vlastnosti se mohou lišit v závislosti na modelu.

Výrobek:	Litetrax 4
Vhodný pro:	děti od narození do 15kg
Materiálové složení:	potah 100% polyester; výplň 89% polyester, 11% polyuretan
Vyrobena v	Číně
Značka:	Joie
Výrobce:	Joie Childrens Products (UK) Limited

## Seznam částí

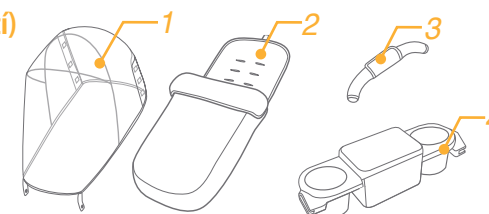
Ujistěte se, že balení obsahuje všechny součásti ještě před začátkem sestavování kočárku. Pokud některá součástka chybí, kontaktujte svého prodejce. K sestavení výrobku není potřeba žádné nářadí.

1 Konstrukce kočárku	7 Madlo	13 Rukojeť	18 Pojistka proti rozložení
2 Bouda	8 Opěrka nohou	14 Okénko	
3 Přední kolečko	9 Přední kolečko	15 Zadní kolečko	
4 Zadní kolečko	10 Aretace	16 Brzda	
5 Bouda	11 Košík	17 Zajištění pojistky proti rozložení	
6 Vložka	12 Ramenní pásy		



## Doplňky (nemusí být součástí)

- 1) Pláštěnka (u některých modelů)
- 2) Nánožník (u některých modelů)
- 3) Potah madla (u některých modelů)
- 4) Pultík (u některých modelů)



## UPOZORNĚNÍ:

- ! Příslušenství, která nejsou schválena výrobcem, se nesmějí používat.
- ! Nikdy nenechávejte dítě bez dozoru.
- ! Odstraňte plastový obal, v němž byl kočárek zabalen, z dosahu dětí, hrozí nebezpečí udušení.
- ! Kočárek je určen pro převoz jednoho dítěte od narození do hmotnosti 15 kg.
- ! Vždy používejte zádržný systém.
- ! Při nepříznivém počasí /déšť, sníh/ vždy používejte originální pláštěnku.
- ! Není-li kočárek v pohybu, vždy jej zabrzděte.
- ! Neponechávejte kočárek odstavený ve svahu.
- ! Na rukojeť kočárku zavěšujte pouze tašky k tomu určené do maximální hmotnosti 1 kg.
- ! Pamatujte, že jakékoliv břemeno zavěšené na rukojeti ovlivňuje stabilitu kočárku.
- ! Do košíku vkládejte pouze drobné, lehké předměty s maximální hmotností 4.5 kg.
- ! Zatížení pultíku i kapsy na boudě je maximálně 1.36 kg.
- ! Kočárek není hračka pro Vaše dítě, a proto by veškerou manipulaci s ním měla provádět pouze dospělá osoba.
- ! Nejezděte s kočárkem po schodech, eskalátorech a zvláštní pozornost dávejte ve výtahu.
- ! Kočárek není vhodný pro jízdu na nebezpečných komunikacích, v terénu či kamenné dlažbě.
- ! Při jízdě s kočárkem neběhejte ani nejezděte na kolečkových bruslích.
- ! Při opravách užívejte pouze originální výměnné části.
- ! Nikdy kočárek nenechávejte v blízkosti tepelných zdrojů.
- ! Před použitím kočárku se vždy ujistěte, že je kočárek správně rozložen a všechna zajišťovací a připevňovací zařízení jsou správně zapojená a funkční.
- ! Kočárek nevystavujte nadměrně slunečnímu záření a nesušte jej na přímém slunci. Může dojít ke změně barvy potahové látky.
- ! Při skládání a rozkládání kočárku zajistěte, aby vaše dítě nebylo poblíž a nemohlo dojít k poranění.
- ! Kočárek vždy používejte pouze shodně s jeho určením.
- ! Vyhýbejte se jízdě v písku. Písek působí jako brusivo a poškodí středy kol.
- ! Kočárek splňuje normu ČSN EN 1888:2012.
- ! Kočárek přenášejte pouze v nutných případech uchopením za postranní trubky konstrukce kočárku.
- ! Kočárek nikdy nepřenášejte za madlo nebo rukojeť.

- ! Nedovolte vašemu dítěti, aby si s kočárkem hrálo / lezlo na něj. Převrácení kočárku na dítě může způsobit vážnou újmu na zdraví.
- ! Předějte úrazu dítěte tím, že jej při skládání a rozkládání kočárku ponecháte v bezpečné vzdálenosti.
- ! Ujistěte se, že Vaše dítě nemá ruce tam, kde by se mohly zaklesnout nebo být přiskřípnuty, např. když se montují / demontují takové díly jako bouda, madélko nebo se provádí jiná manipulace.
- ! Nenechávejte dítě stát na kočárku.
- ! Neumisťujte kolem krku dítěte žádné provázky k uchycení například hraček, může dojít k uškrcení dítěte.
- ! Nikdy nezvedejte kočárek s dítětem.
- ! Nepoužívejte košík k přepravě dítěte.
- ! Při ukládání / zvedání dítěte (dětí) do / z kočárku by tento kočárek měl být zabrzděný parkovací brzdou.
- ! Kočárek může být používán pouze při rychlosti chůze, není vhodný pro Joging.
- ! Nikdy nepoužívejte výrobek, je-li jeho část opotřebená nebo poškozená.
- ! Kočárek nenahrazuje korbou ani postýlku. V případě potřeby delšího spánku by mělo být dítě umístěno do korby, nebo postýlky.
- ! Při použití kočárku od narození dítěte napoložte zářadovou opěrku co nejvíce do lehu.
- ! Hluboká korba je vhodná pro dítě, které ještě nedokáže bez pomoci sedět, nedokáže se přetočit nebo se postavit na ruce a kolena. Maximální hmotnost dítěte je 9kg.
- ! Nikdy nekládejte žádné dodatečné matrace, kromě té dodané výrobcem.

## Sestavení kočárku

Přečtěte si pečlivě tento manuál před sestavováním a používáním produktu.

### Rozložte kočárek dle obrázků 1 - 2

Odjistěte pojistku proti rozložení 1, a poté zdvihněte rukojeť vzhůru, dokud neuslyšíte kliknutí označující správné rozložení konstrukce 2.

- ! Ujistěte se, že je kočárek správně rozložen a pojistky správně zajištěny.

### Nasadte a vyjměte přední kolečka dle obrázků 3 - 4

## Nasadte a vyjměte zadní kolečka dle obrázků 5 - 6

## Nasadte a vyjměte madlo dle obrázků 7 - 8

Kompletně sestavený kočárek je ukázán na obrázku 11

Ujistěte se, že je kočárek správně sestaven a veškeré zajišťovací prvky správně zapojeny a funkční.

## Obsluha kočárku

### Nastavení sklonu zádové opěrky dle obrázků 12 - 13

Zádová opěrka je nastavitelná ve 4 pozicích.

Sklopení opěrky

Pro sklopení zádové opěrky vytáhněte pojistku na zadní straně sezení a tlačte zádovou opěrku směrem dolů 12

Zvednutí Opěrky

Pro zvednutí zádové opěrky ji vytlačte směrem vzhůru 13 .

! Ujistěte se, že je zádová opěrka vhodně nastavena pro použití.

### Používání spony pásů dle obrázků 14 - 15

Odepnutí spony

Stiskněte centrální tlačítko spony. 14

Zapnutí spony

Spojte část spony pro boční pás s částí spony pro ramenní pás 15 - 1, naklikněte ji do centrální části spony. 15 - 2 Zvuk kliknutí značí správné zapnutí spony. 15 - 3

! Vždy poutejte své dítě postrojem, vyhněte se tak případnému zranění

! Ujistěte se, že je vaše dítě pevně upnuté v postroji

! Nepřekřičujte pásy

### Používání ramenních a bočních pásů dle obrázků 16 - 19

! Pro zachování bezpečí vašeho dítěte se vždy ujistěte, že délka ramenního a bočního pásu je nastavená na správnou délku.

16 - 1 Upevnění postroje A

16 - 2 Upevnění postroje B

16 - 3 Boční nastavení

Pro větší dítě používejte upevnění postroje A a nejvyšší otvor pro ramenní pás. Pro menší dítě používejte upevnění postroje B a nejnižší otvor pro ramenní pás.

Pro nastavení pozice upevnění ramenního pásu jej otočte tak, aby prošel otvorem pro ramenní pás a protáhete

jej zepředu dozadu. 17 Používejte vždy otvor nejbližší výšce ramene dítěte. 18

Použijte boční nastavení délky pásů. 19 - 1

Stiskněte tlačítko 19 - 2, pro nastavení bočního pásu do správné délky. 19 - 3

### Používání opěrky nohou dle obrázků 20

Opěrka nohou má 2 pozice.

Pro zvednutí opěrky nohou ji vytahujte směrem nahoru dokud neuslyšíte charakteristické kliknutí označující správné zajištění.

Pro snížení výšky opěrky stiskněte tlačítka po stranách nožní opěrky 20 - 1, a otočte ji směrem dolů. 20 - 2

### Používání aretace předních kol dle obrázků 21

Vytáhněte pojistku aretace směrem nahoru, čímž docílíte udržení stejného směru pohybu. 21

**TIP** Na nerovném terénu se doporučuje používat zaaretovaná přední kola.

**UPOZORNĚNÍ:** Při potřebě s kočárkem couvnout musí být vždy přední kola v pozici otočné! Při nedodržení této zásady může dojít k poškození, které nelze považovat za reklamační závadu.

### Používání brzdy dle obrázků 22 - 23

Pro zabrzdění koleček sešlápněte brzdu směrem dolů. 22

Pro odbrzdění zdvihněte brzdu směrem nahoru. 23

**TIP** Vždy použijte brzdu, pokud se kočárek nepohybuje.

### Použití boudy dle obrázků 24

Bouda lze otevírat, nebo skládat. Posuňte ji směrem dopředu, nebo dozadu.

Bouda lze kompletně sklopit pro ještě lepší ochranu dítěte před sluncem. Stačí odepnout zip na boudě a posunout boudu směrem dopředu.

Na boudě je okénko, kterým můžete dítě pozorovat.

! Maximální hmotnost všech předmětů převážených v kapse na boudě nesmí překročit 0,5 Kg.

### Skládání kočárku dle obrázků 25 - 27

! Před složením kočárku nejprve složte boudu.

1. Vytáhněte skládací popruh energickým pohybem směrem vzhůru, kočárek se automaticky složí. 25 - 1

2. Pojistka proti rozložení se zajistí automaticky, takže kočárek je kompletně složen a zajištěn. 26 Při méně energickém pohybu je potřeba kočárek domáčkknout „do sebe“, aby došlo k zajištění pojistky.

3. Složený kočárek samovolně stojí - před složením nesmí být kolečka zaaretovaná. 27



## Použití doplňků

Doplňky mohou být prodávány zvlášť, případně nemusí být dostupné v závislosti na aktuální nabídce.

## Použití s Joie autosedačkou

Při používání s Joie autosedačkou Gemm se řiďte následujícími instrukcemi .

- ! V případě jakýchkoliv problémů nebo dotazů k autosedačce si pečlivě přečtěte její návod k použití.
- ! Neskládejte kočárek s připevněnou autosedačkou ani při upevnování autosedačky.

## Používejte s hlubokou korbou Joie dle obrázků 29

Při používání hluboké korby Joie se řiďte následujícími instrukcemi. 29

- ! Máte-li jakékoli potíže při používání hluboké korby, přečtěte si její návod k obsluze.
- ! Při používání korby vždy používejte matraci.
- ! Nikdy neskládejte kočárek, pokud je na něm hluboká korba

## Použití pláštěnky dle obrázků 30

Nasadte pláštěnku na kočárek. Zajistěte ji pomocí suchých zipů umístěných na pláštěnce. 30

- ! Před použitím pláštěnky na kočárku s nasazenou autosedačkou se vždy ujistěte, že je zádová opěrka v nejnižší poloze a autosedačka je řádně upevněna.
- ! Nepoužíváte-li pláštěnku, vždy ji před složením vyčistěte a vysušte.
- ! Nikdy neskládejte kočárek s nasazenou pláštěnkou.
- ! Nedávejte své dítě do kočárku s pláštěnkou v horkém počasí.

## Použití Nánožníku dle obrázků 31 - 33

## Použití pultíku dle obrázků 34 - 36

- ! Neumisťujte na pultík žádné předměty, které by mohli způsobit újmu dítěti, nebo kočárku.

## Péče a údržba

- ! Odnímatelnou část potahu lze v případě nutnosti čistit mýdlovou vodou popřípadě ručně prát jemným pracím práškem při teplotě do 30°C.
- ! Je vhodné čistit celou plochu, při čištění pouze malé části se mohou na potahu vytvořit skvrny.
- ! Nelze ji žehlit.
- ! Nepoužívejte bělidlo.
- ! Mokrě součástky vždy po použití osušte, zabráníte tak případné korozi kovových částí.

- ! Výrobek vždy ukládejte na suché místo.
- ! Pravidelně kontrolujte, zda některé šrouby nejsou povoleny, některé díly opotřebený, nebo zda materiál nebo šití není roztrženo.
- ! Nadměrné vystavování slunečnímu záření, nebo teple může způsobit blednutí, nebo deformaci některých dílů.
- ! Pokud kolečka začnou vrzat, použijte olej (např. silikonový olej, olej proti korozi, olej na šicí stroje).
- ! Je důležité dostat olej na nápravu a do uchycení kol. 28
- ! Pokud kočárek používáte na pláži, vždy jej kompletně vyčistěte tak, abyste jej zbavili všech nečistot, písku a soli.
- ! Pokud se některá z částí kočárku stane těžko ovladatelnou, ujistěte se, že příčinou není znečištění a potom jemně aplikujte malé množství vhodného přípravku (např. WD 40).

Gratulujeme vám, práve ste sa stali súčasťou rodiny JOIE! Sme nadšení z toho, že sa stávame súčasťou ciest s vašim maličkým. Pri cestách s Litetraxom 4 používate vysoko kvalitný, plno certifikovaný kočík, schválený podľa európskeho bezpečnostného štandardu EN 1888:2012. Tento výrobok je vhodný pre deti od narodenia do 15 kg.

Prečítajte si prosím veľmi starostlivo tento návod a držte sa tu uvedených inštrukcií, tým si zaistíte komfortnú jazdu a najlepší ochranu pre svoje dieťa.

## Dôležité – Uchovajte tento návod pre budúce použitie.

Pre informácie o záruke navštívte naše internetové stránky na [www.joiebaby.com](http://www.joiebaby.com)

## Obsah

Obrázky	1-7
Upozornenie	99
<b>Zostavenie kočíka</b>	<b>100</b>
Rozložte kočík	100
Nasaďte predné kolieska	100
Nasaďte zadné kolieska	101
Nasaďte madlo	101
<b>Obsluha kočíka</b>	<b>101</b>
Nastavená sklonu chrbtovej opierky	101
Používaní spony pásov	101
Používaní ramenných a bočných pásov	101
Používanie opierky nôh	102
Používanie aretácie predných kolies	102
Používanie brzdy	102
Použití striešky	102
Použitie doplnkov	103
Použitie pláštenky	103
Použitie náožníka	103

Doplňky môžu byť predávané zvlášť a lebo nemusí byť dostupné v závislosti na aktuálnej nabídke.

## Informácie o produkte

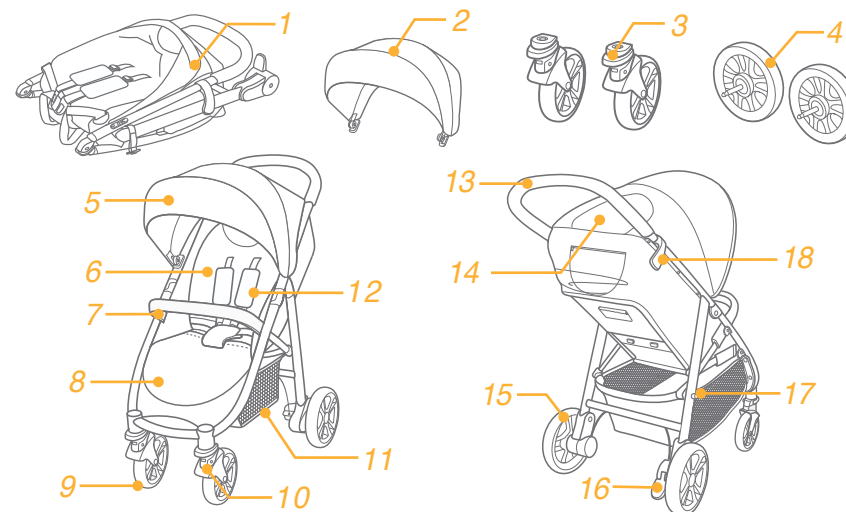
Prečítajte si starostlivo tento manuál. Ak máte ďalšie dotazy konzultujte je s predajcom. Niektoré vlastnosti sa môžu líšiť v závislosti na modeli.

Výrobok:	Litetrax 4
Vhodný:	pre deti od narodenia do 15 kg
Materiálové zloženie:	poťah 100% polyester; výplň 89% polyester, 11% polyuretán
Vyrobené v	Číne
Značka:	Joie
Výrobca:	Joie Childrens Products (UK) Limited

## Zoznam častí

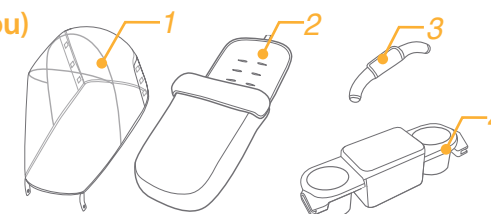
Uistite sa, že balenie obsahuje všetky súčasti ešte pred začiatkom zostavovania kočíka. Ak niektorá súčiastka chýba, kontaktujte svojho predajcu. K zostaveniu výrobku nie je treba žiadne náradie.

1 Konštrukcie kočíka	7 Madlo	13 Rukoväť	18 Poistka proti rozloženiu
2 Strieška	8 Opierka nôh	14 Okienko	
3 Predné koliesko	9 Predné koliesko	15 Zadné koliesko	
4 Zadné koliesko	10 Aretácia	16 Brzda	
5 Strieška	11 Košík	17 Zariadenie poistky proti rozloženiu	
6 Vložka	12 Ramenné pásy		



## Doplňky (nemusi byť súčasťou)

- 1) Pláštenka (u niektorých modelov)
- 2) Náožník (u niektorých modelov)
- 3) Poťah madla (u niektorých modelov)
- 4) Pult (u niektorých modelov)



## Upozornenie:

- ! Príslušenstva, ktoré nie sú schválené výrobcom sa nesmú používať.
- ! Nikdy nenechávajte dieťa bez dozoru.
- ! Odstráňte plastový obal, v ktorom bol kočík zabalený z dosahu detí, hrozí nebezpečenstvo udusenía.
- ! Kočík je určený pre prevoz jedného dieťaťa vo veku od narodenia do 15 kg.
- ! Vždy používajte zádržný systém.
- ! Pri nepriazni počasia /dážď, sneh/, vždy používajte originálnu pláštenku.
- ! Ak nie kočík v pohybe, vždy jej zabrzdite.
- ! Neponechávajte kočík odstavený na svahu.
- ! Na rukoväť kočíka vešajte iba tašky k tomu určené, do maximálnej hmotnosti 1 kg.
- ! Zaťaženie pultu a vrecka na strieške môže byť maximálne 4.5 kg.
- ! Pamätajte si, že akékoľvek bremeno zavesené na rukoväti ovplyvňuje stabilitu kočíka.
- ! Do košíka vkladajte iba drobné predmety s maximálnou nosnosťou 1.36 kg.
- ! Kočík nie je hračka pre vaše dieťa a preto by všetku manipuláciu s ním mala robiť iba dospelá osoba.
- ! Nejazdite s kočíkom po schodoch, eskalátoroch a veľkou pozornosť venujte pri jazde výťahom.
- ! Kočík nie je vhodný pre jazdu na nespevnených komunikáciách, v terénu či kamenej dlažbe.
- ! Pri jazde s kočíkom nebehajte ani nejazdite na kolieskových korčuliach.
- ! Pri opravách používajte iba originálne výmenne diely Joie.
- ! Nikdy kočík nenechávajte v blízkosti tepelných zdrojov.
- ! Pred použitím kočíka sa vždy uistite, že je kočík správne rozložený a všetky zaistovacie a pripojujúce zariadenia sú správne zapojená a funkčná.
- ! Kočík nevystavujte nadmernému slnečnému žiareniu a nesuňte ho na priamom slnku.
- ! Môže doísť ku zmene farby poťahového materiálu.
- ! Pri skladaní a rozkladaní kočíka zaistite aby vaše dieťa nebolo v blízkosti a nemohlo doísť k poraneniu.
- ! Kočík vždy používajte iba v zhode s jeho určením.
- ! Vyhýbajte sa jazde v piesku. Piesok pôsobí ako brusivo a poškodí stredy koliesok.
- ! Kočík spĺňa normu STN EN 1888:2012. Kočík prenášajte len v nutných prípadoch uchopením za postranné trubky konštrukcie kočíka. Kočík nikdy neprenášajte za madlo a lebo rukoväť.
- ! Nedovoľte vášmu dieťaťu, aby sa s kočíkom hralo / liezlo na neho. Pre-

vrátenie kočíka na dieťa môže spôsobiť vážnu ujmu na zdraví.

- ! Predídte úrazu dieťaťa tým, že pri skladaní a rozkladaní kočíka ho ponechajte v bezpečnej vzdialenosti.
- ! Uistite sa, že vaše dieťa nemá ruky tam, kde môže doísť k ich zaklesnutiu a lebo privretiu, napr. vtedy keď sa montujú / demontujú také diely ako je strieška, madlo a lebo sa robí iná manipulácia.
- ! Nenechávajte dieťa stať na kočíku.
- ! Neumiestňujte okolo krku dieťaťa žiadne povrázky, napríklad k uchyteniu hračiek, môže doísť k uškrteniu dieťaťa.
- ! Nikdy nedvíhajte kočík s dieťaťom.
- ! Nepoužívajte košík k preprave dieťaťa.
- ! Pri ukladaní / dvíhaní dieťaťa (detí) do / z kočíku by tento kočík mal byť zabrzdený parkovacou brzdou.
- ! Kočík môže byť používaný iba pri rýchlosti chôdze, nie je vhodný pre Joging.
- ! Nikdy nepoužívajte výrobok, ak je jeho časť opotrebená alebo poškodená.
- ! Kočík nenahradzuje korbú ani postieľku. V prípade potreby dlhšieho spánku by malo byť dieťa umiestnené do hlbkej korbú alebo postieľky.
- ! Pri použití kočíku od narodenia dieťaťa napolohujte chrbtovou opierku čo najviac do ľahu.
- ! SK Hlboká korbú je vhodná pre dieťa, ktoré ešte nevie bez pomoci sedieť, nedokáže sa pretočiť alebo sa postaviť na ruky a kolena. Maximálna hmotnosť dieťaťa je 9 kg.
- ! SK Nikdy nevkładajte žiadny dodatočný matrac, mimo dodaného výrobcom.

## Zostavenie kočíka

Prečítajte si starostlivo tento manuál pred zostavovaním a používaním produktu.

### Rozložte kočík podľa obrázkov 1 - 2

Odstiňte poistku proti rozloženiu 1, a potom zdvihnite rukoväť hore, ak neuslyšíte kliknutie označujúce správne rozloženie konštrukcie 2.

- ! Uistite sa, že je kočík správne rozložený a poistky správne zaistené.

### Nasadte predné kolieska podľa obrázkov 3 - 4

### Nasadte zadné kolieska podľa obrázkov 5 - 6

## Nasadte madlo podľa obrázkov 7 - 8

Kompletne zostavený kočík je ukázaný na obrázku 11

Uistite sa, že je kočík správne zostavený a všetky zaistovacie prvky sú správne zapojené a funkčné.

## Obsluha kočíka

### Nastavená sklonu chrbtovej opierky podľa obrázkov 12 - 13

Chrbtová opierka je nastaviteľná do 4 pozícií.

Sklopenie opierky

Pre sklopenie chrbtovej opierky vytiahnite poistku na zadnej strane sedenia a tlačte chrbtovú opierku smerom dole. 12

Zdvihnutie opierky

Pre zdvihnutie chrbtovej opierky ju vytlačte smerom hore 13.

! Uistite sa, že je chrbtová opierka vhodne nastavená pre použitie.

### Používaní spony pásov podľa obrázkov 14 - 15

Odopnutie spony

Stlačte centrálné tlačítko spony. 14

Zapnutie spony

Spojte časť spony pre bočný pás a časťou spony pre ramenný pás 15 - 1, a zapnite ju do centrálnej časti spony. 15 - 2 Zvuk kliknutia oznamuje správne zapnutie spony. 15 - 3

! Vždy púťajte svoje dieťa postrojom, zabránite tým prípadnému zraneniu.

! Uistite sa, že je vaše dieťa pevne pripútané v postroji.

! Neprekrižujte pásy.

### Používaní ramenných a bočných pásov podľa obrázkov 16 - 19

! Pre zachovaní bezpečnosti vášho dieťaťa sa vždy uistite, že dĺžka ramenného a bočného pásu je nastavená na správnu dĺžku.

16 - 1 Upevnenie postroja A

16 - 2 Upevnenie postroja B

16 - 3 Bočné nastavenie

Pre väčší dieťa používajte upevnenie postroja A a najvyšší otvor pre ramenný pás. Pre menší dieťa používajte upevnenie postroja B a najnižší otvor pre ramenný pás.

Pre nastavenie pozície upevnenie ramenného pásu jej otočte tak, aby prešiel otvorom pre ramenný pás a pretiahnite jej spredu dozadu. 17 Používajte vždy otvor najbližší výške ramien dieťaťa. 18

Použite bočné nastavenie dĺžky pásov. 19 - 1

Stlačte tlačidlo 19 - 2, pri vyťahovaní bočného pásu do správnej dĺžky. 19 - 3

### Používanie opierky nôh podľa obrázkov 20

Opierka nôh má 2 pozície.

Pre zdvihnutie opierky nôh ju vyťahujte smerom dohora tak dlho, ak neuslyšíte charakteristické kliknutie označujúce správne zaistenie.

Pre zníženie výšky opierky stlačte tlačidlo po stranách nožnej opierky 20 - 1, a otočte ju smerom dolu. 20 - 2

### Používanie aretácie predných kolies

#### podľa obrázkov 21

Vytiahnite poistku aretácie smerom hore, tým dosiahnete udržanie rovnakého smeru pohybu. 21

**TIP** Na nerovnom teréne sa odporúča požívať zafixované predné kolieska pomocou aretácie.

UPOZORNENIE: Pri potrebe s kočíkom cúvať, vždy musí byť predné kolieska v pozícii otočené! Pri nedodržaní týchto zásad môže dôjsť k poškodeniu, ktoré nie je možné uznať ako reklamačnú chybu.

### Používanie brzdy

#### podľa obrázkov 22 - 23

Pre zabrzdzenie koliesok zošliapnite brzdú smerom dole. 22

Pre odbrzdzenie zdvihnite brzdú špičkou prstov nohy smerom nahor. 23

**TIP** Vždy používajte brzdú ak nie je kočík v pohybe.

### Použití striešky

#### podľa obrázkov 24

Striešku môžete otvárať a lebo skladať. Posuňte ju smerom dopredu a lebo dozadu.

Striešku môžete kompletne sklopiť pre ešte lepšiu ochranu dieťaťa pred slnkom. Stačí odopnúť zips na strieške a posunúť striešku smerom dopredu. Na strieške je okienko, ktorým môžete dieťa pozorovať.

Maximálna hmotnosť všetkých predmetov prevázaných vo vrecku striešky nesmie prekročiť 0,5 kg.

### Skladanie kočíka

#### podľa obrázkov 25 - 27

! Pred zložením kočíka najprv zložte striešku.

1. Vytiahnite skladač popruh energickým pohybom smerom hore, kočík sa automaticky zloží. 25 - 1

2. Poistka proti rozloženiu sa zaistí automaticky, tak že kočík je kompletne zložený a zaistený. 26 Pri menej energickom pohybu je potreba kočík stlačiť do zaistenia.

3. Zložený kočík samovoľne stojí 27 Pred zložením nesmú byť kolesa zaaretované.

### Použitie doplnkov

Doplnky môžu byť predávané zvlášť, prípadne nemusí byť dostupné v závislosti na aktuálnej nabídke.

## Použitie s Joie autosedačkou

Pri používaní s Joie autosedačkou Gemm dodržujte nasledujúce inštrukcie.

- ! V prípade akýchkoľvek problémov alebo dotazov k autosedačke si starostlivo prečítajte návod k jej použitiu.
- ! Neskladajte kočík s pripevnenou autosedačkou, ani pri upevňovaní autosedačky.

## Používajte s hlbokou korbou Joie podľa obrázkov 29

Pri používaní hlboké korby Joie sa riadte nasledujúcimi inštrukciami. 29

- ! Ak máte akékoľvek ťažkosti pri používaní hlboké korby, prečítajte si návod k obsluhu.
- ! Pri používaní korby vždy používajte matrac.
- ! Nikdy neskladajte kočík, ak je n ňom nainštalovaná hlboká korba.

## Použitie pláštenky podľa obrázkov 30

Nasaďte pláštenku na kočík. Zaistíte ju pomocou suchých zipsov umiestnených na pláštenke. 30

- ! Pred použitím pláštenky na kočíku s nasadenou autosedačkou sa vždy uistite, že je chrbtová opierka v najnižšej polohe a autosedačka je riadne pripevnená.
- ! Pri používaní pláštenky vždy skontrolujte jej ventiláciu.
- ! Ak nepoužívate pláštenku, vždy ju pred zložením vyčistite a vysušte.
- ! Nikdy neskladajte kočík s nasadenou pláštenkou.
- ! Nepoužívajte pláštenku v horkom počasí ak je v kočíku dieťa.

## Použitie nánožníka podľa obrázkov 31 - 33

## Použitie pultu podľa obrázkov 34 - 36

- ! Neumiestňujte na pult žiadne predmety, ktoré môžu spôsobiť ujmu dieťaťu alebo kočíku.

## Údržba a čistenie

- ! Poťahové látky čistite mydlovou vodou, prípadne ručne perte s jemným pracím prostriedkom pri maximálnej teplote vody do 30°C.
- ! Je vhodné čistiť celú plochu, pri čistení iba malej časti, sa môžu vytvoriť škvrny.
- ! Nepoužívajte pri čistení rozpúšťadlá alebo iné podobné prostriedky.
- ! Kovové časti výrobku vysušte, aby nedošlo k ich zhrdzaveniu.
- ! Uchovajte výrobok na suchom mieste.
- ! Pravidelne kontrolujte, či niektoré skrutky nie sú povolené, niektoré diely opotrebované, alebo či materiál lebo šitie nie je roztrhnuté.

- ! Nežmýkajte, nežehlite, nepoužívajte prostriedky obsahujúce chlór, nečistite chemicky, na odstraňovanie škvŕn nepoužívajte rozpúšťadlá a nesusušte v sušičke s otáčajúcim sa bubnom.
- ! Nepretržité a dlhodobé vystavenie slnečnému žiareniu môže spôsobiť zmenu farby mnohých materiálov.
- ! Ak kolieska začnú vŕzgať, použite olej (napr. silikónový olej, olej proti korózii, olej na šijacie stroje).
- ! Je dôležité dostať olej na nápravu a do uchytenie kolies 28.
- ! Všetky pohyblivé časti udržiavajte čisté, pravidelne ich kontrolujte a v prípade potreby ich zľahka premažte silikónovým olejom, WD 40 (predné kĺby, pohyblivá časť bŕzd, osky kolies).
- ! Pravidelná údržba predĺži životnosť výrobku.

## DA Velkommen til Joie™

Tillykke og velkommen til Joie-familien! Vi er så glade for at være en del af din rejse med den lille. Når du bruger din Joie LITETRAX™ 4, bruger du en klapvogn af høj kvalitet, som er fuldt certificeret og godkendt i henhold til de europæiske standarder EN 1888:2012. Dette produkt er beregnet til børn under 15 kg. Du bedes venligst læse denne vejledning omhyggeligt og følg alle trinene, så du sikrer, at dit barn har det behageligt og er ordentligt beskyttet under turen.

### VIGTIGT - behold denne brugsvejledning til senere brug.

Besøg os på [joiebaby.com](http://joiebaby.com), hvor du kan downloade vejledninger og finde flere spændende produkter fra Joie!

Besøg venligst vores hjemmeside, for information vedrørende garanti, på [joiebaby.com](http://joiebaby.com)

## Indhold

Billede	1-7
Advarsel	107
<b>Samling af klapvognen</b>	<b>108</b>
Klapvognen foldes ud	108
Forhjulene sættes på	108
Baghjulene sættes på	108
Armstøtten sættes på	108
Kalechen sættes på	108
<b>Sådan bruges klapvogne</b>	<b>108</b>
Ryglænet justeres	108
Brug af spændet	109
Brug skulder- og taljeselerne	109
Juster lægstøtten	109
Brug af drejelåsen på forhjulet	109
Brug af bremsen	110
Brug af kalechen	110
Fold klapvognen sammen	110
Brug af bæreremmen	110
Brug af tilbehør	110
<b>Pleje og vedligeholdelse</b>	<b>111</b>

## I tilfælde af en nødsituation

I tilfælde af en nødsituation eller ulykker er det vigtigst, at dit barn straks får førstehjælp og lægebehandling.

## Produktinformation

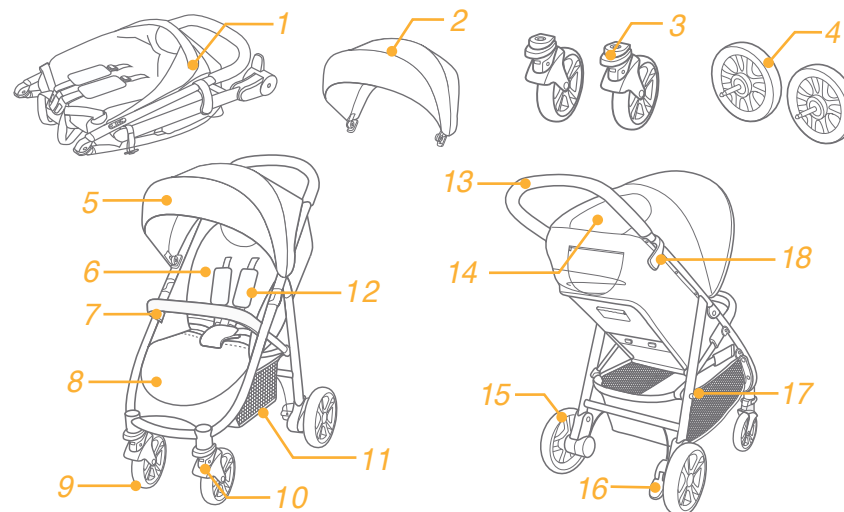
Læs alle instruktionerne i denne vejledning, inden produktet tages i brug. Hvis du har yderligere spørgsmål, bedes du venligst kontakte din forhandler. Nogle funktioner kan variere, afhængig af din model.

<b>Produkt</b>	Litetrax™4 klapvogn
<b>Egnet til</b>	Børn under 15 kg (0-36 måneder)
<b>Materialer</b>	Plast, metal, tekstiler
<b>Patentnummer</b>	Produktet er patentanmeldt
<b>Fremstillet i</b>	Kina
<b>Varemærke</b>	Joie
<b>Hjemmeside</b>	<a href="http://www.joiebaby.com">www.joiebaby.com</a>
<b>Fabrikant</b>	Joie Childrens Products (UK) Limited

## Liste over dele

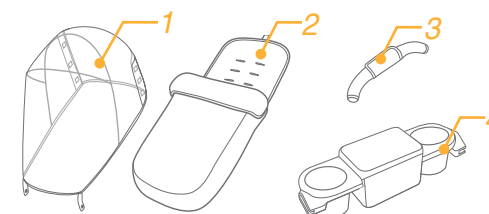
Kontroller, at alle delene følger med, inden du begynder at samle produktet. Hvis der mangler nogen dele, bedes du venligst kontakte din lokale forhandler. Der skal ikke bruges noget værktøj til at samle produktet.

1 Stel	6 Sædepude	11 Opbevaringskurv	16 Bremsstang
2 Kaleche	7 Armstøtte	12 Skuldersele	17 Låsebeslag
3 Forhjul	8 Lægstøtte	13 Håndtag	18 Opbevaringslås
4 Baghjul	9 Forhjul	14 Vindue	
5 Kaleche	10 Drejelås	15 Baghjul	



## Tilbehør (følger muligvis ikke med)

- 1 Regnslag (på visse modeller)
- 2 Kørepose (på visse modeller)
- 3 Omslag til armstøtte (på visse modeller)
- 4 Forældrebakke (på visse modeller)



## ADVARSEL

- ! ADVARSEL Brug altid fastholdelsessystemet.
- ! ADVARSEL sørg altid for at bruge skridtkombinationen med taljeselen. Det anbefales også at bruge skulderselerne.
- ! ADVARSEL sørg for, at alle låsene er låst inden brug.
- ! ADVARSEL børn må ikke lege med dette produkt.
- ! ADVARSEL Inden barnevognen tages i brug, venligst tjek at barnevognsdelene, klapvognssædet eller MVG
- ! Produktet skal samles af voksne.
- ! Klapvognen må kun bruges til børn under 15 kg. Hvis barnet vejer mere, kan det beskadige klapvognen.
- ! For at forhindre farlige og ustabile forhold, må der højst lægges 4,5 kg i opbevaringskurven.
- ! Der må højst lægges 1,36 kg i forældrebakken.
- ! Efterlad aldrig et barn uden opsyn. Sørg altid for, at barnet er i syne, når det er i klapvognen.
- ! Der må kun være et barn i klapvognen ad gangen. Der må aldrig hænges punge, indkøbsposer, parceller eller andet tilbehør på håndtaget eller kalechen.
- ! Hvis klapvognen overbelastes, foldes forkert eller bruges med dele fra andre fabrikater, kan det muligvis beskadige den eller gøre den usikker at bruge.
- ! Du bedes venligst læse denne brugsvejledning omhyggeligt.
- ! Klapvognen må aldrig bruges med dele fra andre fabrikater.
- ! Læs venligst alle instruktionerne i denne vejledning, inden produktet tages i brug.
- ! Behold denne brugsvejledning til senere reference. Hvis disse advarsler og instruktioner ikke følges, kan det føre til alvorlige skader eller dødsfald.
- ! Sikkerhedsseler og fastholdelsesanordningerne skal bruges korrekt.
- ! For at undgå alvorlig skade, hvis barnet falder eller glider ud af klapvognen, skal sikkerhedsselen altid bruges.
- ! Når klapvognen justeres, skal du sørge for, at barnet ikke kommer i klemme i de bevægelige dele.
- ! Hvis selen ikke bruges, kan barnet glide ind i selerne til benene, og derved blive kvalt.
- ! Klapvognen må aldrig bruges på en trappe eller rulletrapper.
- ! Klapvognen skal holdes væk fra varme genstande, væsker og elektronik.
- ! Barnet må aldrig stå op i klapvognen eller sidde i klapvognen med hovedet mod klapvognens forende.
- ! Klapvognen må aldrig stilles på veje, skråninger eller andre farlige områder.
- ! Sørg for, at alle mekanismerne er fastgjorte, inden klapvognen tages i brug.

- ! For at undgå kvælning, må du IKKE putte genstande med en snor rundt om barnets hals, hænge snore på dette produkt eller sætte snore fast på legetøj.
- ! For at undgå, at klapvognen vælter, må der IKKE hænges noget på håndtaget.
- ! Klapvognen må IKKE løftes, mens barnet er i den.
- ! Der må ALDRIG være børn i opbevaringskurven.
- ! Børn må aldrig kravle op på klapvognen, da den kan vælte. Løft altid barnet ind og ud af klapvognen.
- ! Babyliften er kun egnet til børn, som ikke kan sidde op uden hjælp, som kan rulle væk og som ikke kan rejse sig på deres hænder og knæ. Maksimal vægt af barnet: 9 kg.
- ! Brug eller tilføj IKKE andre madrasser end den, der følger med babyliften.

## Samling af klapvognen

Læs alle instruktionerne i denne vejledning, inden produktet samles og tages i brug.

### Klapvognen foldes ud

#### Se billederne 1 - 2

Løsn opbevaringslåsen fra låsebeslaget 1, og løft derefter håndtaget opad 2, en klik-lyd betyder, at klapvognen er foldet helt ud. 2

- ! Sørg for, at klapvognen er ordentligt låst, inden den tages i brug.

### Forhjulet sættes på

#### Se billederne 3 - 4

### Baghjulene sættes på

#### Se billederne 5 - 6

### Armstøtten sættes på

#### Se billederne 7 - 8

### Kalechen sættes på

#### Se billederne 9 - 10

Den færdigsamlede klapvogn kan ses på billede 11

## Sådan bruges klapvognen

### Justering af ryglænet

#### Se billederne 12 - 13

Ryglænet kan justeres til 4 forskellige vinkler.

Sådan lænes ryglænet tilbage

For at læne ryglænet tilbage, skal du trykke på håndtaget bag på sædet, og derefter trække ryglænet tilbage. **12**

Sådan hæves ryglænet

For at hæve ryglænet, skal det blot trykkes opad. **13**

! Sørg for, at ryglænet er justeret korrekt, inden klapvognen tages i brug.

## Brug af spændet

### Se billederne **14** - **15**

Sådan låses spændet op

Tryk på knappen i midten for at låse spændet op. **14**

Sådan låses spændet

Sørg for, at taljeselen passer med skulderspændet, som vist i **15** - **1**, og sæt den derefter i spændet på midten. **15** - **2** Når du hører en kliklyd, er spændet låst fast. **15** - **3**

! For at undgå alvorlig skade, hvis barnet falder eller glider ud af klapvognen, skal barnet altid spændes fast med sikkerhedsselen.

! Sørg for at barnet er spændt ordentligt fast. Afstanden mellem barnet og skulderselerne skal være ca. den samme som tykkelsen af en hånd.

! Skulderselerne må ikke sættes på tværs over hinanden. Dette kan trykke for meget på barnets nakke.

## Brug skulder- og taljeselerne

### Se billederne **16** - **19**

! For at beskytte dit barn mod at falde ud, skal du sørge for, at skulder- og taljeselerne er i den rigtige højde og har den rigtige længde, når barnet puttes i klapvognen.

**16** - **1** Spænde A på skulderselen

**16** - **2** Spænde B på skulderselen

**16** - **3** Juster spændet

Til større børn skal du bruge spænde A på skulderselen og de øverste huller. Til mindre børn skal du bruge spænde B på skulderselen og de nederste huller.

For at justere placeringen af spændet, skal det vendes så det flugter med siden, der vender fremad.

Stik det gennem hullet fra bagsiden og ud til forsiden. **17** Træk det tilbage gennem hullet, der er tættest på barnets skulderhøjde. **18**

Brug spændet til at justere selens længde. **19** - **1**

Tryk på knappen **19** - **2**, samtidig med at du trækker taljeselen til den ønskede længde. **19** - **3**

## Juster lægstøtten

### Se billederne **20**

Lægstøtten har 2 indstillinger.

For at hæve lægstøtten, skal den trykkes opad. Når du hører en kliklyd, er lægstøtten låst fast.

For at sænke lægstøtten, skal du trykke på justeringsknapperne på begge sider af lægstøtten **20** - **1**, og derefter dreje lægstøtten nedad. **20** - **2**

## Brug af drejelåsen på forhjulet

## Se billederne **21**

Tryk drejelåsen på forhjulet opad for at låse hjulets retning. **21**

**TIP** Det anbefales at bruge drejelåsen på ujævne overflader.

## Brug af bremsen

### Se billederne **22** - **23**

For at låse hjulene, skal du trykke bremsestangen nedad. **22**

For at låse hjulene op igen, skal bremsestangen løftes opad igen. **23**

**TIP** Slå altid bremsen til, når klapvognen ikke er i bevægelse.

## Brug af kalechen

### Se billederne **24**

Kalechen kan åbnes og foldes sammen ved at trække den frem og tilbage.

Kalechen kan foldes helt ud, så den beskytter barnet mod solen. Luk lynlåsen op **24**, og fold derefter kalechen ud. Der er et vindue i kalechen, hvorigennem du kan se barnet.

Tingene, der lægges i lommen på kalechen, må sammenlagt højst veje 0,5 kg.

## Fold klapvognen sammen

### Se billederne **25** - **27**

! Kalechen skal foldes sammen, før klapvognen foldes sammen.

1. Træk folderemmen opad, hvorefter stellet automatisk foldes tilbage. **25** - **1**

2. Opbevaringslåsen låser sig automatisk fast på låsebeslaget, så klapvognen er foldet helt sammen og låst. **26**

3. Klapvognen kan stå op, når den er foldet sammen. **27**

## Brug af tilbehør

Tilbehøret sælges muligvis separat eller er muligvis ikke tilgængeligt i dit område.

## Brug med Joie autostol Gemm

Ved brug med Joie autostol Gemm, henvises til følgende instruktioner.

! Hvis du oplever problemer med at bruge autostolen, henvises til autostolens egen brugsanvisning.

! Fold ikke klapvognen, når autostolen stadig er fastgjort.

## Brug med Joie-babylift

### Se billederne **29**

Der henvises til følgende anvisninger, når du bruger Joie-babyliftten Ramble. **29**

! Hvis du har problemer ved brug af babyliftten, henvises der til dens brugervejledning.

! Brug altid madrassen, når du bruger babyliftten.

! Fold ikke klapvognen, når du påsætter babyliftten.



## Brug af regnslaget

### Se billederne 30

For at sætte regnslaget på, skal det først lægges over klapvognen, og spænd derefter de 8 burrebånd på regnslaget. 30

- ! Før du bruger regnslaget, skal du sørge for, at ryglænet er lænet helt tilbage og at barnefastholdelsesanordningen er spændt ordentligt fast.
- ! Når du bruger regnslaget, skal du altid sørge for, at der er ordentlig ventilation.
- ! Hvis regnslaget ikke skal bruges, skal du sørge for, at regnslaget er blevet rengjort og tørret, inden det foldes sammen.
- ! Klapvognen må ikke foldes sammen, når regnslaget sidder på den.
- ! I varmt vejr må der ikke være børn i klapvognen med regnslaget på.

## Brug af køreposen

### Se billederne 31 - 33

## Brug af forældrebakken

### Se billederne 34 - 36

- ! Læg ikke genstande i forældrebakken, som kan gøre skade på barnet og klapvognen.

## Pleje og vedligeholdelse

- ! Flytbart sædepude, der kan vaskes i koldt vand og lufttørres. Brug ikke blegemiddel.
- ! Klapvognens stel må kun rengøres med almindelig sæbe og varmt vand. Der må ikke bruges blegemidler eller rengøringsmidler.
- ! Kontroller regelmæssigt din klapvogn for løse skruer, slidte dele, revnede materialer eller syninger. Udskift eller reparer delene efter behov.
- ! Nogle af delene på klapvognen kan falme eller blive skæve, hvis de udsættes for meget sol eller varme.
- ! Hvis klapvognen bliver våd, skal kalechen åbnes og klapvognen skal tørre ordentligt før opbevaring.
- ! Hvis hjulene knirker, skal du bruge en let olie (f.eks. silicium på spray, rustbeskyttende olie eller symaskineolie). Det er vigtigt at få olien ind til akslen og hjulsamlingen. 28
- ! Hvis din klapvogn bruges på stranden, skal den efterfølgende rengøres helt for sand og salt i mekanismerne og hjulsamlingerne.

نهنكم لأنكم قد أصبحتم عضواً في عائلة جوي. ويسعدنا كثيراً أن نشارككم في رحلتكم مع طفلكم الصغير. وبينما تتحركين مع عربة جوي لايت تراكس 4 (ماركة مسجلة)، فإنك تستخدمين عربة عالية الجودة ومعتمدة بالكامل وأيضاً معتمدة طبقاً للمعايير القياسية الأوروبية للسلامة 2012 - EN1888. هذا المنتج مناسب للاستخدام مع الأطفال بوزن أقل من 15 كجم. نرجو قراءة هذا الدليل بحرص وإتباع كل خطوة لضمان رحلة مريحة وحماية أفضل لطفلك.

## ملاحظة هامة : احتفظي بدليل التعليمات للرجوع إليه مستقبلاً.

يمكنكم زيارة موقعنا joiebaby.com لتنزيل الكتيبات ولمشاهدة المزيد من منتجات جوي الرائعة.

لمعلومات عن الضمان، يُرجى زيارة موقع الويب الخاص بنا على joiebaby.com

### المحتويات

1-7	الصور
115	تحذير
116	تجميع العربة
116	فتح العربة
116	تجميع العجلات الأمامية
116	تجميع العجلات الخلفية
116	تركيب الغطاء
117	تجميع مسند الذراع
117	تشغيل العربة
117	ضبط مسند الظهر
117	استخدام إبزيم الربط
117	استخدام أربطة الأكتاف والوسط
118	ضبط دعامة سمانة الساق
118	استخدام قفل الحركة المحورية للعجلات الأمامية
118	استخدام الفرملة
118	استخدام الغطاء
118	طي العربة
119	استخدم الملحقات
119	العناية والصيانة

### الطوارئ

في حالة الطوارئ أو الحوادث من المهم جداً العناية بالطفل فوراً بلعلاج الطبي والإسعافات الأولية.

### معلومات عن المنتج

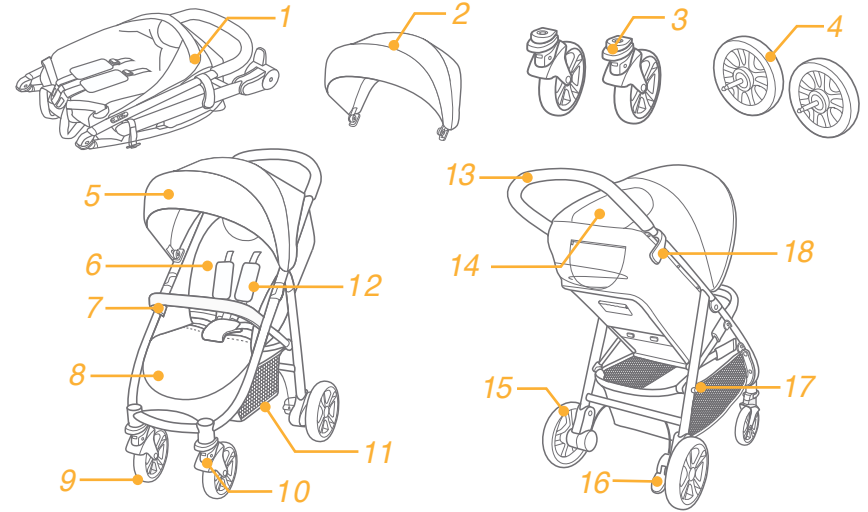
اقرأ جميع التعليمات في هذا الكتيب قبل استخدام هذا المنتج. وإذا كانت لديك أي أسئلة أخرى نرجو الرجوع للبائع. وبعض المواصفات قد تتفاوت بحسب الموديل.

المنتج :	عربة أطفال لايت تراكس 4
مناسب :	للطفل وزن أقل من 15 كجم (من الولادة وحتى 36 شهر).
المواد :	البلاستيك والمعادن الفبريك.
رقم براءة الاختراع :	في انتظار براءة الاختراع
صناعة :	الصين
الاسم التجاري :	جوي
الموقع على الإنترنت :	www.joiebaby.com
الصانع :	شركة جوي لمنتجات الأطفال (المملكة المتحدة ليمتد)

### قائمة الأجزاء

تأكد أن جميع الأجزاء متوافرة قبل التجميع. وإذا كان هناك أي جزء ناقص نرجو الاتصال بلاموزع المحلي. لا توجد أي أدوات مطلوبة للتجميع.

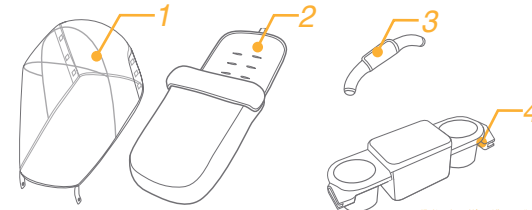
1	فريم العربة	7	مسند الذراع	12	أربطة الكتف
2	الغطاء	8	دعامة سمانة الساق	13	المقبض
3	العجلة الأمامية	9	العجلة الأمامية	14	الناقذة
4	العجلات الخلفية	10	القفل المحوري	15	العجلة الأمامية
5	الغطاء	11	سلة التخزين	16	ذراع الفرملة
6	وسادة المقعد				



### الملحقات

(قد تكون غير متضمنة)

- 1 غطاء المطر
- 2 كيس تدفئة القدمين
- 3 غطاء مسند الذراع
- 4 درج للأم



الملحقات والإكسسوارات قد يتم بيعها بشكل منفصل أو قد تكون غير متوافرة ويتوقف ذلك على الإقليم.

التعبئة من بعدها بعيداً عن الأطفال.

! هذا المنتج غير مناسب للجري أو التزلج.

! كرسي الدفع مصمم للاستخدام من الولادة وإتنا نوصي باستخدامه في الوضع الأكثر ميلاً للأطفال حديثي الولادة.

! يتم تعشيق جهاز الانتظار عند وضع ورفع الأطفال.

! بخصوص مقاعد السيارات المستخدمة بالارتباط مع الشاسيه فإن هذه العربة لا تحل محل مهد أو كرسي الطفل. وإذا كان الطفل بحاجة للنوم ، فيتم وضعه في مهد أو مقعد مناسب.

! لتجنب الإصابة تأكد من ابتعاد الطفل عند طبي وفك طبي هذا المنتج.

! لا تُستخدَم حقيبة حمل الطفل إلا مع الأطفال غير القادرين على الجلوس بدون دُعَامَات وكذلك غير القادرين على دفع أنفسهم لأعلى. الحد الأقصى لوزن الطفل: 9 كجم.

! تجنب وضع أي مفارش أو حشوات غير المثبتة بحقيبة حمل الطفل.

## تجميع العربة

اقرأ جميع التعليمات في هذا الكتيب قبل تجميع واستخدام هذا المنتج.

### فتح العربة

#### أنظر الصور 1 - 2

أفضل مشبك التخزين من تركيبة التخزين 1 وأرفع المقبض من بعدها لأعلى 2 عندئذٍ ستسمع صوت طقطقة تعني أن العربة قد تم فتحها بالكامل.

تأكد أن العربة قد تم فتحها بالكامل قبل الاستمرار.

### تجميع العجلة الأمامية

#### أنظر الصور 3 - 4

### تجميع العجلات الخلفية

#### أنظر الصور 5 - 6

### تجميع مسند الذراع

#### أنظر الصور 7 - 8

### تركيب الغطاء

#### أنظر الصور 9 - 10

تم توضيح تعليمات تركيب العربة بالكامل في الشكل 11

## تحذيرات

! تحذير احرص دائماً على استخدام نظام التقييد.

! تحذير : استخدم دائماً مجموعة الرباط السفلي مع حزام الوسط. ومن المقترح أن يتم أيضاً استخدام أربطة الأكتاف.

! تحذير : تأكد أن جميع الأقفال مغلقة قبل الاستخدام.

! تحذير : لا تدع طفلك يعبث بهذا المنتج.

! تحذير : تأكد أن أدوات تثبيت وحدة المقعد أو هيكل العربة قد تم تعشيقها بطريقة صحيحة قبل الاستخدام.

! يتم التجميع بمعرفة الكبار.

! استخدم عربة الأطفال مع طفل وزنه أقل من 15 كجم. وقد يحدث تلف في العربة إذا كان الطفل بوزن غير مناسب.

! لمنع الأحوال الخطرة وغير المستقرة لا تضع وزناً يزيد على 4.5 كجم في سلة التخزين.

! لا تترك الطفل أبداً بدون ملاحظة. عليك متابعة الطفل دائماً أثناء وجوده في العربة.

! استخدم العربة لطفل واحد في الوقت الواحد. ولا تضع ابدأ الحقائق أو أكياس المشتريات أو الطرود أو الإكسسوارات على مقبض العربة أو الغطاء.

! إن التحميل الزائد أو التطبيق غير السليم أو استخدام أجزاء مكونات من مصانع أخرى قد يؤدي إلى تلف العربة أو كسرها أو تصبح غير مأمونة ، اقرأ دليل التعليمات بحرص.

! لا تستخدم العربة أبداً مع مكونات من الصانعين الآخرين.

! نرجو قراءة جميع تعليمات الكتيب قبل استخدام المنتج. ونرجو حفظ دليل التعليمات للاستخدام مستقبلاً. والتقصير في إتباع هذه التحذيرات والتعليمات يمكن أن يؤدي إلى إصابات خطيرة أو الوفاة.

! يجب استخدام سيور الأمان والأنظمة والأربطة الأخرى بطريقة صحيحة.

! لتجنب الإصابات الخطيرة من السقوط أو الانزلاق استخدم دائماً سيور المقعد.

! تأكد أن جسم طفلك خالص من الأجزاء المتحركة بعيداً عنها عند ضبط العربة.

! يمكن أن ينزلق الطفل في فتحات الساقين ويتعرض للاختناق في حالة عدم استخدام الأربطة الصحيحة.

! لا تستخدم العربة أبداً على السلالم الثابتة أو المتحركة.

! ابتعد عن الأغراض ذات درجات الحرارة العالية والسوائل والإلكترونيات.

! لا تدع طفلك أبداً يقف على العربة أو يجلس في العربة مع الرأس في الاتجاه الأمامي من العربة.

! لا تترك العربة أبداً على الطرق والمنحدرات أو الأماكن الخطرة.

! تأكد أن جميع الآليات ثابتة ومثبتة بإحكام قبل استخدام العربة.

! لتجنب الاختناق لا تضع الأشياء ذات الخيوط حول رقبة الطفل أو تعلق الخيوط من هذا المنتج أو تربط الخيوط باللعب.

! لمنع انقلاب العربة لا تضع أي شيء على المقبض.

! لا ترفع العربة أثناء وجود الطفل بداخلها.

! لا تستخدم سلة التخزين لحمل الطفل.

! لمنع انقلاب العربة لا تدع الطفل يتسلق العربة أبداً. وعليك أن ترفع الطفل دائماً دخولاً وخروجاً من العربة.

! لتجنب انحشار الأصابع عليك الحرص عند طبي وفك طبي العربة.

! تأكد أن العربة مفتوحة أو مطوية بالكامل قبل السماح بوجود طفل بالقرب من العربة.

! للتأكد من سلامة الطفل تأكد أن جميع الأجزاء قد تم تجميعها وتثبيتها بإحكام قبل استخدام العربة.

! لتجنب الاختناق تأكد من أن طفلك بعيد عن غطاء العربة.

! عليك دائماً تعشيق الفرامل عند ترك العربة في الانتظار.

! توقف عن استخدام العربة إذا تعرضت للتلف أو الكسر.

! يتم استخدام العربة بسرعة السير فقط. إن هذا المنتج غير مخصص للاستخدام أثناء الجري.

! لتجنب الاختناق فك الأكياس البلاستيك ومواد التعبئة قبل استخدام هذا المنتج. وعليك أن تحفظ الكيس البلاستيك ومواد

## استخدام القفل المفصلي الأمامي

### أنظر الصور 21

ادفع الأقفال المفصلية الأمامية لأسفل للمحافظة على اتجاه الحركة 21

ةطرحالم إننا نوصي باستخدام الأقفال المفصلية على الأسطح غير المنتظمة

## استخدام الفرملة

### أنظر الصور 22 - 23

لتثبيت العجلات اضغط على ذراع الفرملة لأسفل 22

لإطلاق العجلات فقط أرفع ذراع الفرملة لأعلى 23

ةطرحالم عليك دائماً استخدام الفرملة عندما تكون العربة في وضع التوقف.

## استخدام الغطاء

### أنظر الصور 24

يمكن فتح الغطاء أو طيه من خلال سحبه للأمام أو الخلف.

يمكن فتح الغطاء بلاكامل لحماية الطفل من الشمس فقط في رباط الغطاء 24 ثم اسحب الغطاء للأمام.

توجد نافذة في الغطاء حيث يمكنك مشاهدة الطفل من خلالها. اسحب اللوحة الخلفية لأعلى ويتم تثبيت مثبت الحلقة والخطاف. وعندئذ يمكنك مشاهدة طفلك 24

! الوزن الأقصى الإجمالي لجيب تخزين الغطاء يجب ألا يتجاوز 0.5 كجم.

## طي العربة

### أنظر الصور 27 - 25

نرجو طي الغطاء قبل طي العربة.

أسحب مجموعة الطي لأعلى وعندئذ فإن الفريم سينطبق تلقائياً للخلف 1 - 25  
عندئذ يتم تشييق مشبك التخزين تلقائياً في تركيبة التخزين ثم يتم طي وإغلاق العربة بلاكامل 26

يمكن للعربة الوقوف بعد طيها 27

## استخدام الإكسسوارات والملحقات

قد يتم بيع الإكسسوارات منفصلة أو قد تكون غير متوافرة بحسب الإقليم.

## استخدام الملحقات مع مقعد السيارة من Joie

عند استخدام الملحقات مع مقعد سيارة من طراز Joie، يرجى اتباع التعليمات التالية:

! إذا كنت تعاني من أية مشاكل تتعلق باستخدام نظام تثبيت حركة الأطفال الرضع، حينئذ قم بالرجوع إلى أدلة التعليمات الخاصة.  
! يرجى عدم طي العربة عند التركيب بمقعد السيارة.

## الاستخدام مع حقيبة حمل الطفل التي تنتجها Joie

### أنظر الصور 29

عند التجوال باستخدام حقيبة حمل الطفل من طراز Joie، يرجى اتباع التعليمات التالية. 29

! يُرجى الرجوع إلى دليل التعليمات الخاص بحقيبة حمل الأطفال، عند مواجهة أية مشكلة أثناء استخدامها.

! استخدم المرتبة باستمرار عند استعمال حقيبة حمل الطفل.

! يرجى عدم طي العربة عند تركيب حقيبة حمل الطفل.

## تشغيل العربة

### ضبط مسند الظهر

### أنظر الصور 12 - 13

توجد أربع زوايا لميل مسند الظهر.

ميل مسند الظهر

لميل مسند الظهر يتم الضغط على مقبض الميل على ظهر المعقد واسحب ظهر المقعد لأسفل 12

رفع مسند الظهر

لرفع مسند الظهر اضغط لأعلى 13

! تأكد أن الميل قد تم ضبطه بشكل مناسب للاستخدام.

## استخدام الإيزيم

### أنظر الصور 14 - 15

فك الإيزيم

اضغط الزر المركزي لفك الإيزيم 14

إغلاق الإيزيم

يتم ضبط توافق إيزيم سير الوسط مع إيزيم الكنف 1 - 15 ثم يتم إدخاله للإيزيم المركزي 2 - 15 .  
عند سماع صوت طقطقة فإن هذا يعني أن الإيزيم قد تم تثبيته بلاكامل 3 - 15

! لتجنب الإصابة بسبب السقوط أو الانزلاق عليك دائماً تأمين الطفل باستخدام الأريطة.

! تأكد من تأمين الطفل تماماً. والمسافة بين الطفل وأريطة الكنف حوالي سمك يد واحدة.

! تجنب تقاطع سيور الأكتاف. فإن يؤدي إلى الضغط على رقبة الطفل.

## استخدام أريطة الأكتاف والوسط

### أنظر الصور 19 - 16

! لغرض حماية الطفل من السقوط وبعد وضع الطفل في المقعد افحص للتأكد من أن أريطة الأكتاف والوسط بالارتفاع والطول المناسب.

1 - 16 أريطة الأكتاف مع التثبيت أ.

2 - 16 أريطة الأكتاف مع التثبيت ب.

3 - 16 ضبط الانزلاق.

للأطفال الأكبر حجماً استخدم المثبت أ لأريطة الأكتاف ومجرى التثبيت العليا للكتف. وللطفل الأصغر حجماً استخدم أريطة الأكتاف مع المثبت ب ومجرى الكنف السفلية.

لضبط وضع مثبت أريطة الأكتاف يتم تدوير التثبيت لكي يكون مستوياً مع الجانب في مواجهة الأمام. ويتم مروره عبر مجرى أريطة الكنف من الخلف إلى الأمام

17 ثم أعد مروره من خلال المجرى الأقرب لارتفاع كنف الطفل 18 .

استخدم الضبط المنزلق لتغيير طول الأريطة 1 - 19 .

اضغط الزر 2 - 19 مع سحب رباط الوسط إلى الطول المناسب 3 - 19 .

## ضبط دعامة سمانة الساق

### أنظر الصور 20

دعامة سمانة الساق لها وضعين.

رفع دعامة سمانة الساق

لرفع دعامة سمانة الساق فقط ادفعها للأمام وعندئذ ستسمع صوت طقطقة يعني أن السمانة في وضعها الكامل.

إنزال دعامة سمانة الساق

اضغط أزرار الضبط على الجانبين من دعامة سمانة الساق 1 - 20 ويتم تدوير دعامة السمانة لأسفل 2 - 20 .

## استخدام غطاء المطر

## أنظر الصور 30

لتجميع غطاء المطر ضعه فوق العربة ثم ثبت 8 أزواج من مثبتات الخطاف والحلقة على غطاء المطر 30

قبل استخدام غطاء المطر تأكد من أن مسند الظهر قد تم ضبطه في الوضع السفلي ومقعد الطفل الخاص بلاسيارة قد تم تثبيته.

! عند استخدام غطاء المطر تأكد دائماً من توافر التهوية.

! في حالة عدم الاستخدام تأكد أن غطاء المطر قد تم تنظيفه وتجفيفه قبل تطبيقه.

! تجنب طي العربة بعد تجميع غطاء المطر.

! لا تضع الطفل في العربة مع تجميعها بغطاء المطر في الطقس الساخن.

## استخدام كيس تدفئة الأقدام

## أنظر الصور 33 - 31

## استخدام درج الأشياء.

## أنظر الصور 36 - 34

لا تضع أي أشياء تضر بالطفل والعربة في الدرج الخاص بالأشياء.

## العناية والصيانة

! وسادة المقعد قابلة للغسك يمكن غسلها بالماء البارد والتجفيف بالتنقيط ولكن بدون تبيض.

! لتنظيف فريم العربة استخدم فقط الماء الدافئ والصابون المنزلي ولا تستخدم المبيضات أو المذيبات.

! افحص العربة من وقت إلى آخر بخصوص أي مسامير مفككة أو أجزاء متآكلة أو مواد أو خيوط ممزقة ويتم استبدال أو إصلاح الأجزاء حسب اللازم.

! التعرض الشديد للشمس أو الحرارة قد يؤدي إلى شحوب أو تعبيد الأجزاء.

! إذا أصبحت العربة مبللة افتح الغطاء واركبها تجف جيداً قبل التخزين.

! في حالة صرير العجلات استخدم طبقة خفيفة من الزيت (على سبيل المثال زيت السليكون أو زيت إزالة الصدأ أو زيت ماكينة الخياطة) ومن المهم دخول الزيت إلى محاور العجلات

أو مجموعات العجلات 28

! عند استخدام العربة على الشاطئ يتم تنظيف العربة جيداً من بعدها لإزالة أي رمال أو أملاح من التركيبات المفصلية ومجموعات العجلات.



Joie Children's Products (UK) Ltd,  
Venture Point, Towers Business Park  
Rugeley, Staffordshire, WS15 1UZ

bring the kids™

Share the joy at [joiebaby.com](http://joiebaby.com)

P-IM0107L