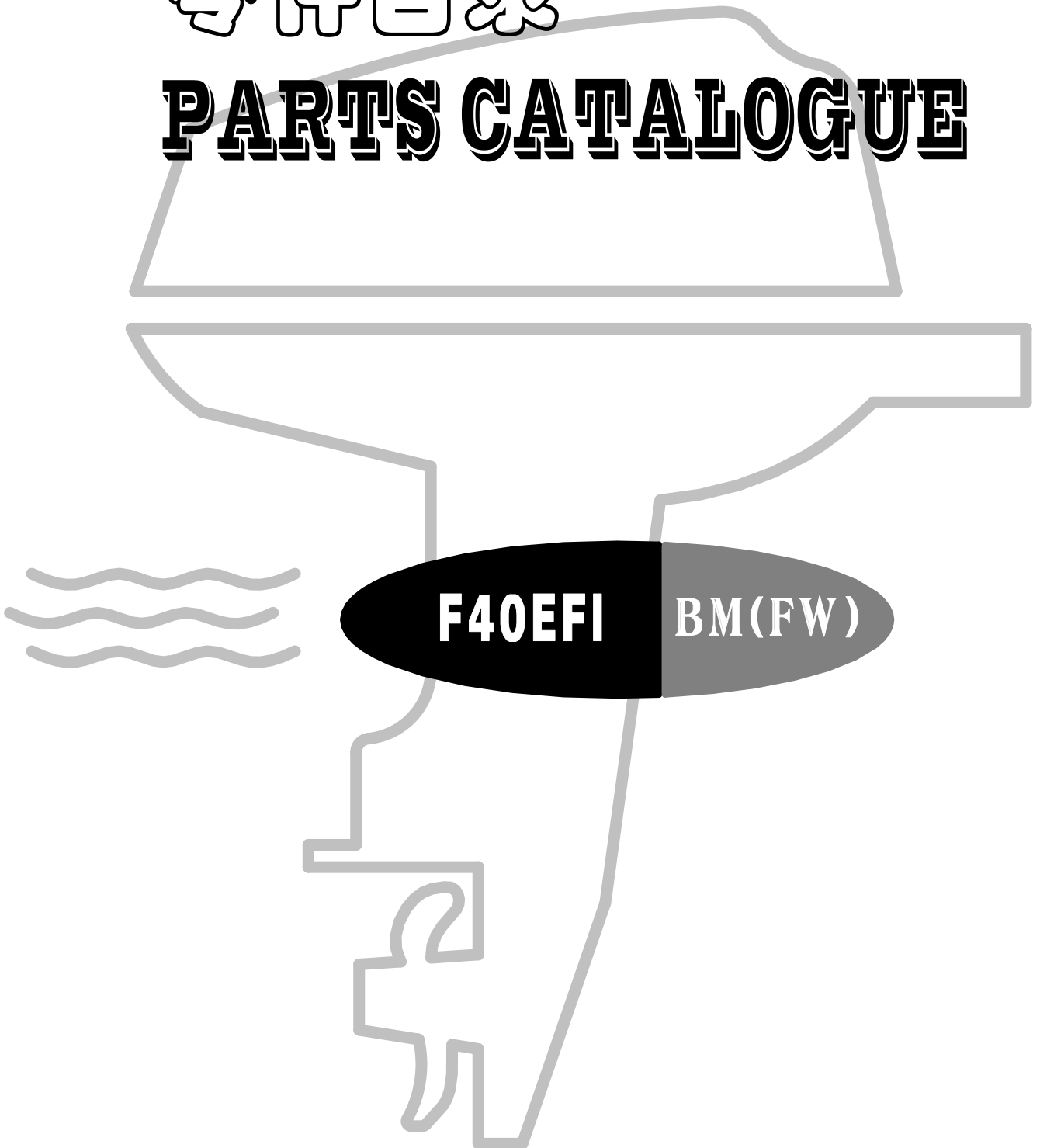




零件目录

PARTS CATALOGUE



苏州百胜动力机器股份有限公司

目录

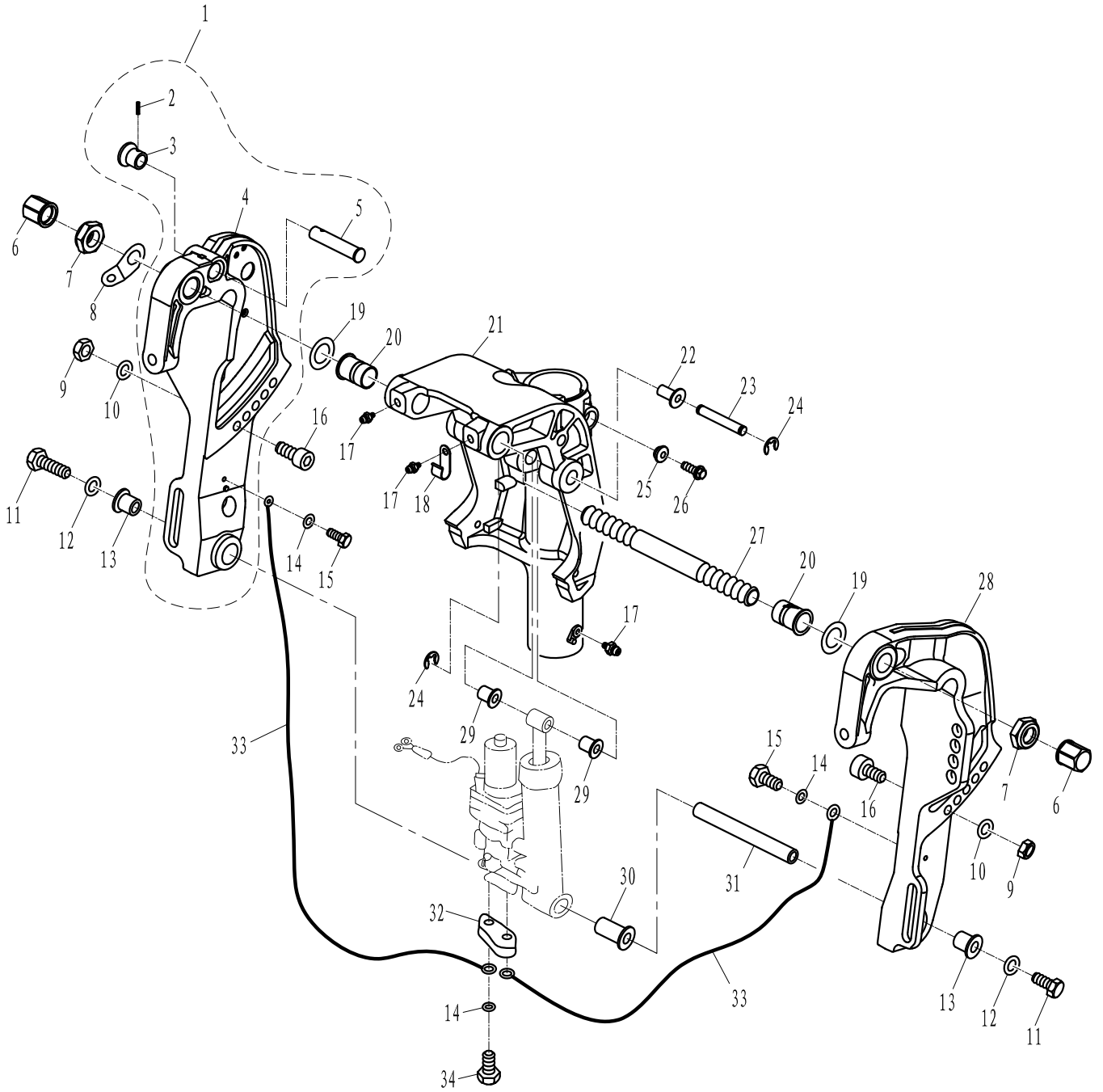
CONTENTS

托架 1	1 ~ 2
BRACKET 1	1 ~ 2
托架 2	3 ~ 4
BRACKET 2	3 ~ 4
操舵系统	5 ~ 6
STEERING	5 ~ 6
集成操舵系统(手操)1	7 ~ 9
MULTI-FUNCTION TILLER SYSTEM(MANUAL CONTROL) 1	7 ~ 9
集成操舵系统(手操)2	10 ~ 11
MULTI-FUNCTION TILLER SYSTEM(MANUAL CONTROL) 2	10 ~ 11
水上装置壳体	12 ~ 13
UPPER CASING	12 ~ 13
油底壳组件	14 ~ 15
OIL PAN ASSY	14 ~ 15
底罩	16 ~ 18
BOTTOM COWLING	16 ~ 18
控制系统 1	19 ~ 20
CONTROL SYSTEM 1	19 ~ 20
控制系统 2	21 ~ 22
CONTROL SYSTEM 2	21 ~ 22
水下装置壳体&驱动系统 1	23 ~ 25
LOWER CASING & DRIVE 1	23 ~ 25
水下装置壳体&驱动系统 2	26 ~ 27
LOWER CASING & DRIVE 2	26 ~ 27
电气 1	28 ~ 29
ELECTRICAL 1	28 ~ 29
电气 2	30 ~ 31
ELECTRICAL 2	30 ~ 31
电气 3	32 ~ 33
ELECTRICAL 3	32 ~ 33
进气系统	34 ~ 35
INTAKE	34 ~ 35
气缸头	36 ~ 37
CYLINDER HEAD	36 ~ 37
曲轴&活塞	38 ~ 39
CRANKSHAFT & PISTON	38 ~ 39
曲轴箱	40 ~ 41
CRANKCASE	40 ~ 41

油泵	-----	42 ~ 43
OIL PUMP	-----	42 ~ 43
阀门	-----	44 ~ 45
VALVE	-----	44 ~ 45
燃油系统	-----	46 ~ 47
FUEL SYSTEM	-----	46 ~ 47
顶罩组件	-----	48 ~ 49
TOP COWLING ASSY	-----	48 ~ 49
外燃油箱	-----	50 ~ 51
OUTER FUEL TANK	-----	50 ~ 51
操纵盒组件	-----	52 ~ 54
CONTROL BOX ASSY	-----	52 ~ 54
电动燃油泵组件	-----	55 ~ 56
ELECTRIC OIL PUMP ASSY	-----	55 ~ 56
燃油共轨	-----	57 ~ 58
FUEL COMMON RAIL	-----	57 ~ 58
液压起翘系统	-----	59 ~ 61
HYDRAULIC TILT ASSY	-----	59 ~ 61
手动起翘(手操)	-----	62 ~ 63
MANUAL TILT (MANUAL CONTROL)	-----	62 ~ 63
发动机头组件(修理件)	-----	64 ~ 65
ENGINE ASSY (REPAIR KIT)	-----	64 ~ 65
气缸头总成(修理件)	-----	66 ~ 67
CYLINDER HEAD ASSY (REPAIR KIT)	-----	66 ~ 67
附录1(修理件)	-----	68 ~ 69
APPENDIX 1 (REPAIR KIT)	-----	68 ~ 69
附录2(修理件)	-----	70 ~ 71
APPENDIX 2 (REPAIR KIT)	-----	70 ~ 71
零件目录检索表	-----	I ~ VI
PARTS CATALOGUE INDEX	-----	I ~ VI

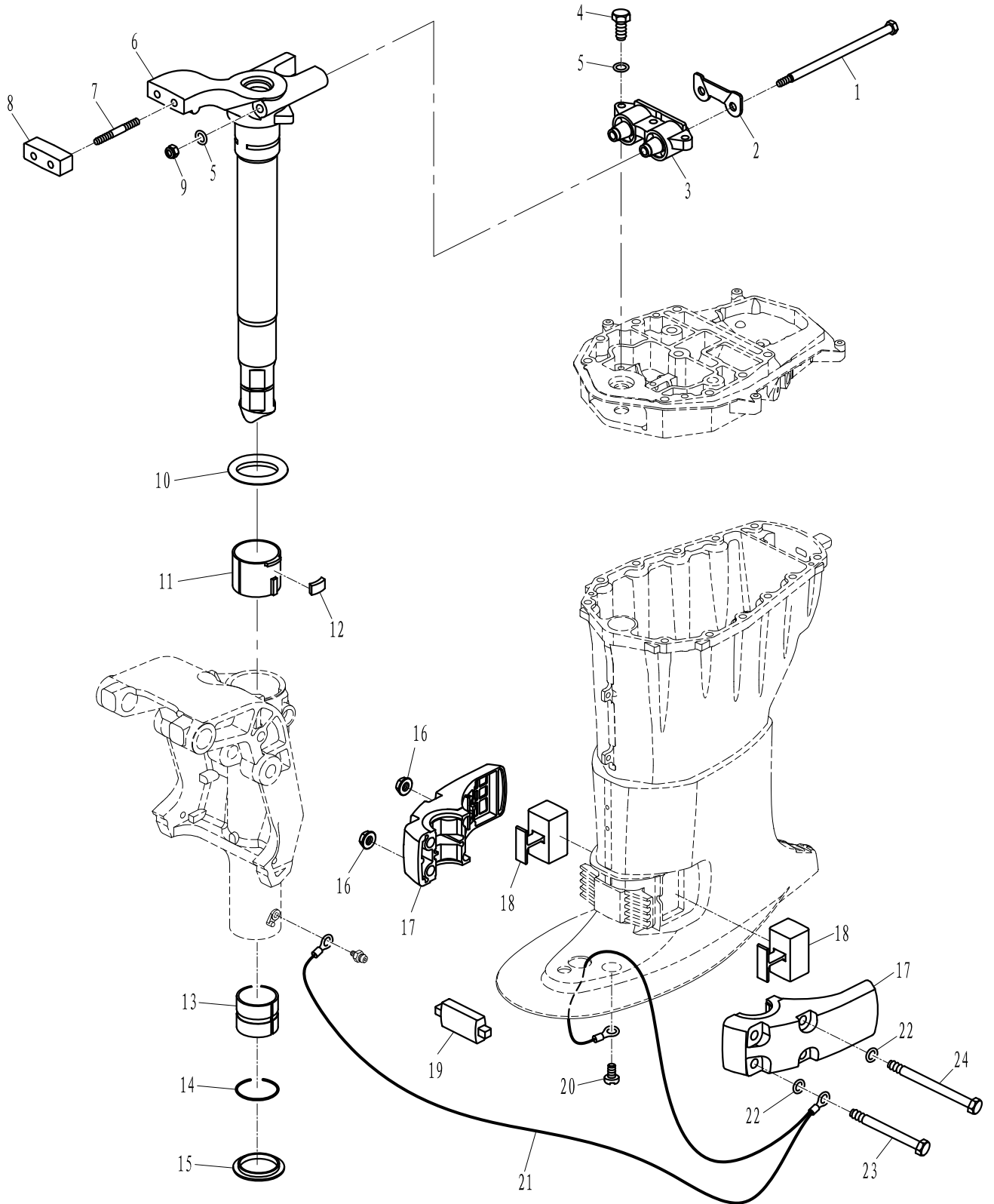
零部件名称: 托架 1

PARTS NAME: BRACKET 1



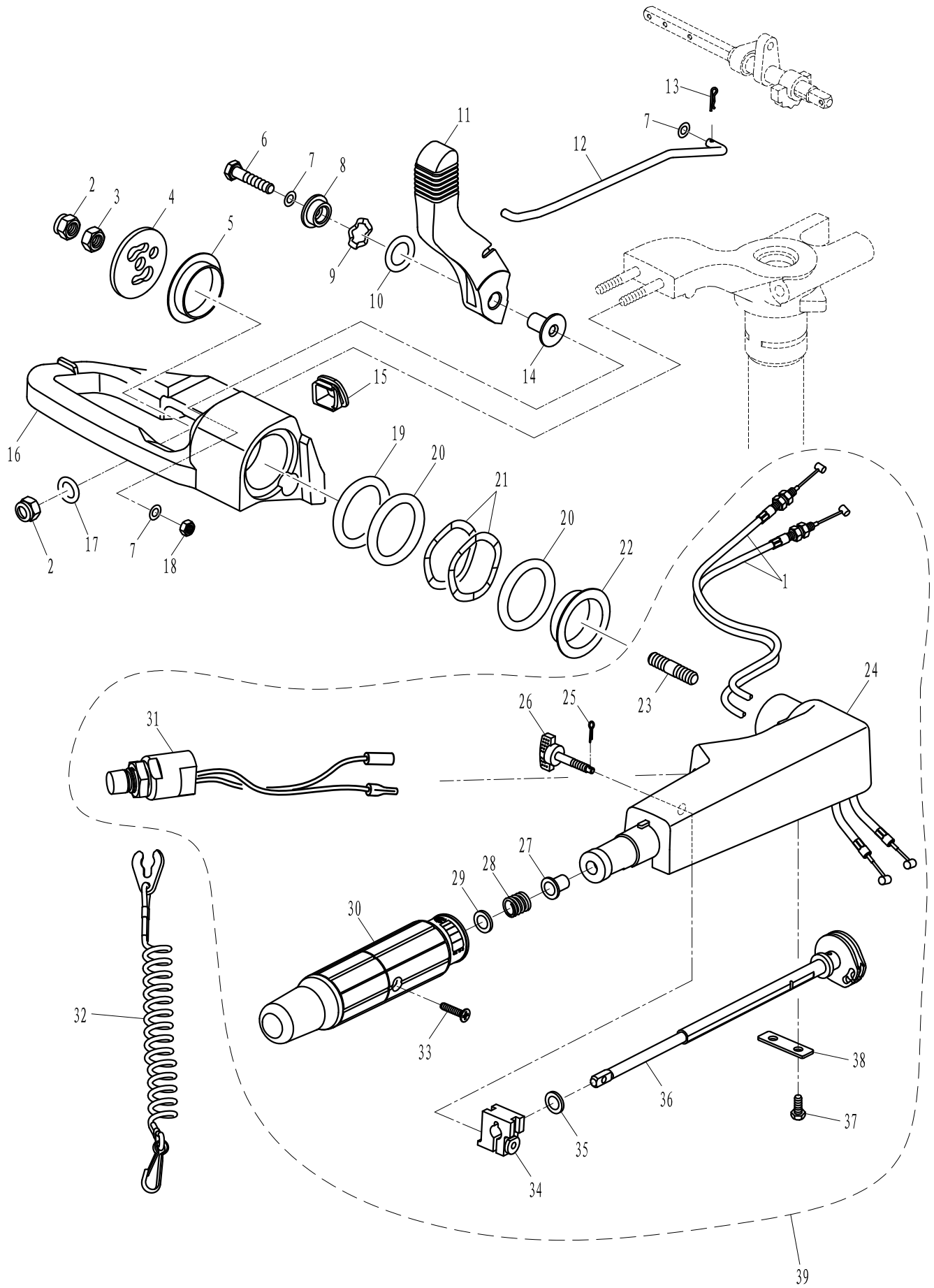
零部件名称: 托架 2

PARTS NAME: BRACKET 2



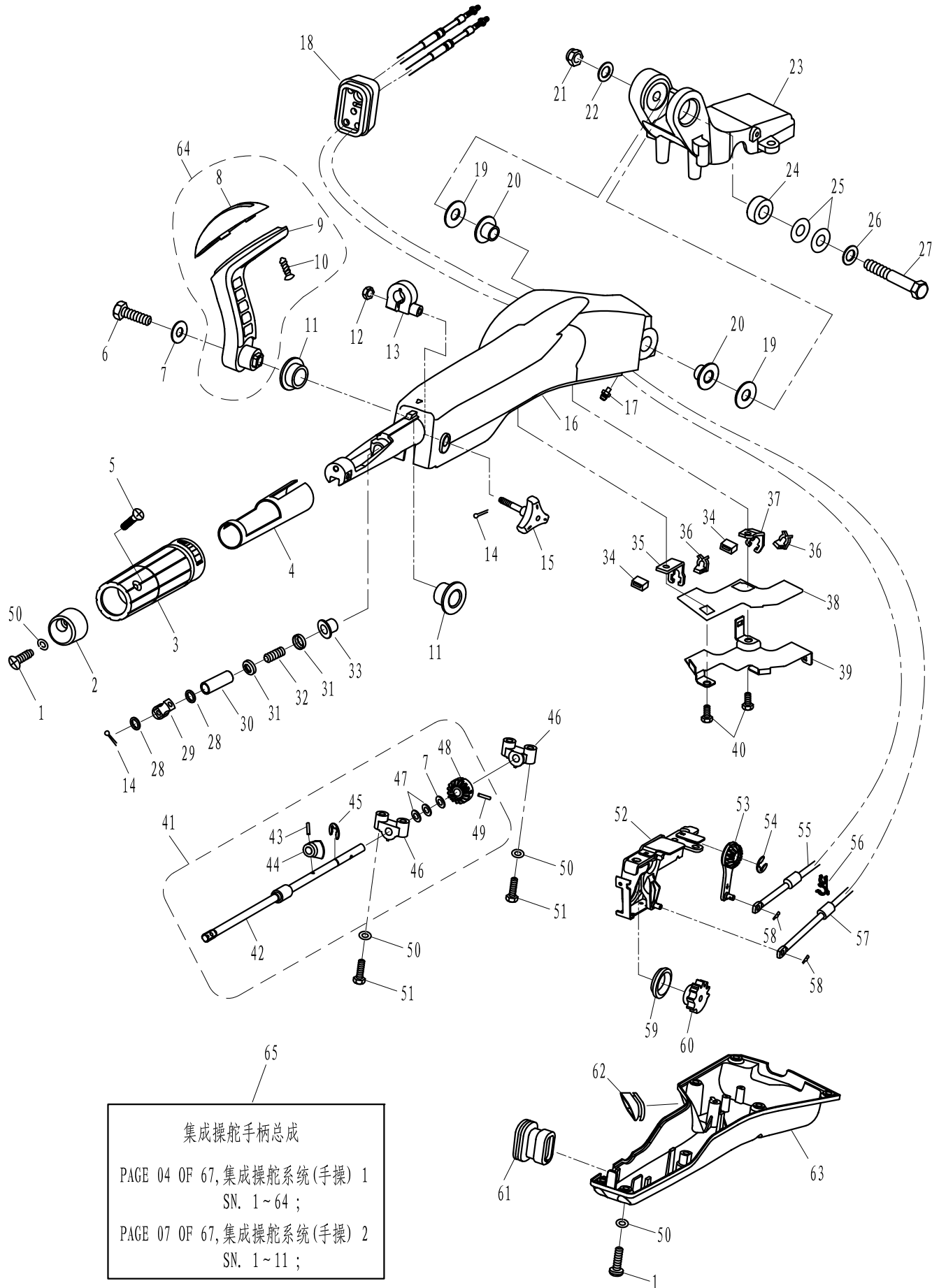
零部件名称: 操舵系统

PARTS NAME: STEERING SYSTEM



零部件名称: 集成操舵系统(手操) 1

PARTS NAME: MULTI-FUNCTION TILLER SYSTEM(MANUAL CONTROL) 1



集成操舵手柄总成

PAGE 04 OF 67, 集成操舵系统(手操) 1
SN. 1~64 ;

PAGE 07 OF 67, 集成操舵系统(手操) 2
SN. 1~11 ;

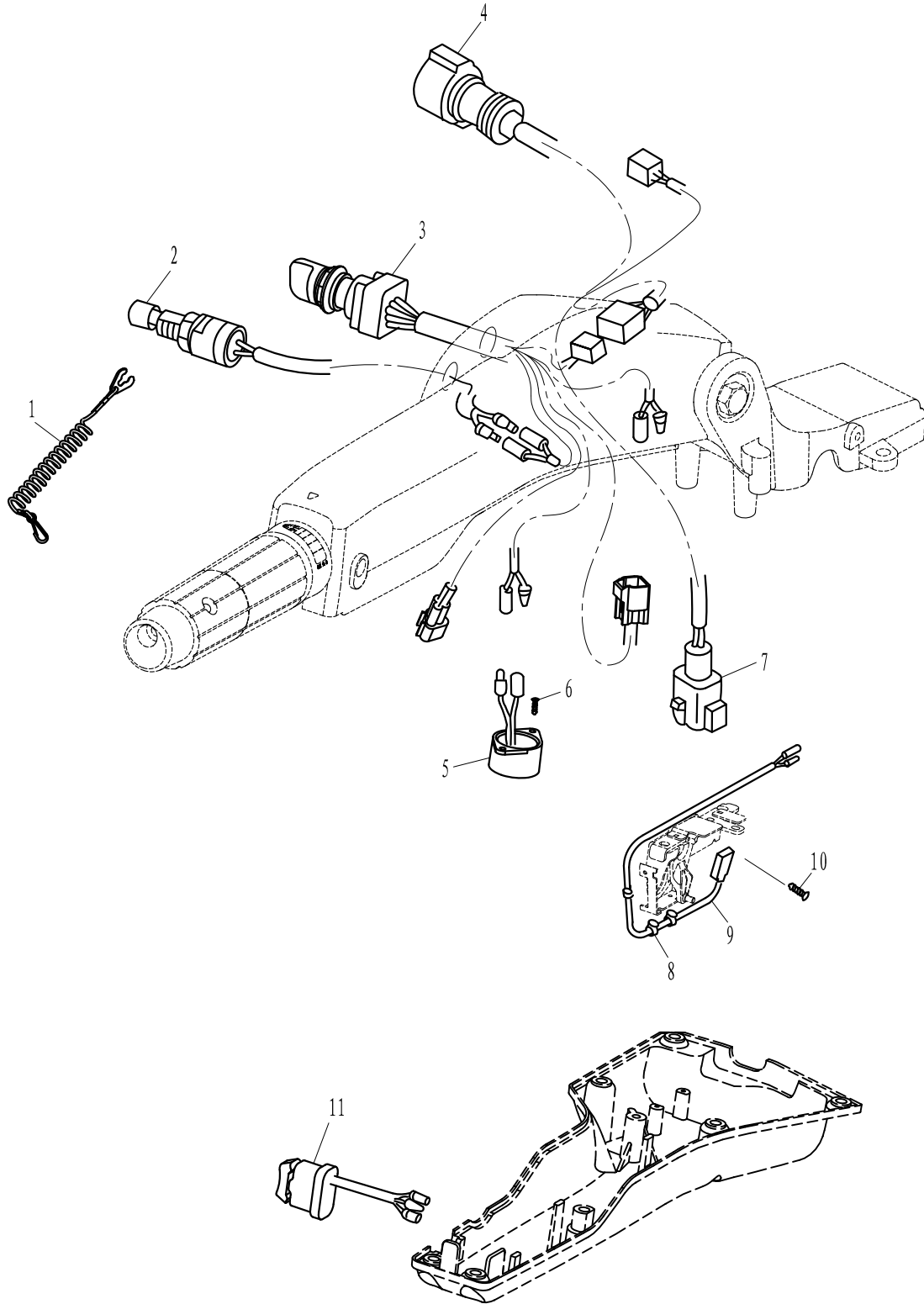
零部件名称: 集成操舵系统(手操)1

PARTS NAME: MULTI-FUNCTION TILLER SYSTEM (MANUAL CONTROL) 1

SN. 参照号码	PART NO. 零件编号	DESCRIPTION 零件名称(中文)	DESCRIPTION 零件名称(英文)	QTY 数量					REMARKS 备注
1	GB/T818-M6x16	十字槽盘头螺钉M6x16	SCREW M6X16	7					
2	F115-01030014	握把盖	HANDLE COVER	1					
3	F115-01031500	握把组件	HANDLE ASSY	1					
4	F115-01030013	手柄衬套	HANDLE BUSH	1					
5	GB/T820-M5x25	十字槽半沉头螺钉M5x25	SCREW M5x25	1					
6	GB/T5782-M8x40	六角螺栓 M8x40	BOLT M8x40	1					
7	GB/T97.1-8	平垫圈8	WASHER 8	2					
8	F115-01030902	变档手柄盖	COVER, SHIFT HANDLE	1					
9	F115-01030901	变档手柄	SHIFT HANDLE	1					
10	GB/T847-ST6.3x20F	十字槽半沉头自攻螺钉ST6.3x20 (F型)	SCREW ST6.3x20	2					
11	F115-01030011	变档手柄衬套(黑)	BUSH, HANDLE	2					
12	GB/T6170-6	六角螺母M6	NUT 6	1					
13	F115-01030705	握把摩擦块	FRICTION BLOCK	1					
14	GB/T91-2x10	开口销φ2x10	COTTER PIN φ2x10	2					
15	F115-01030800	阻力调节旋钮组件	BOLT, FRICTION ADJUSTING	1					
16	F115-01030001	集成操舵手柄	HANDLE, STEERING	1					
17	JB/T9740.1-M6	直通式压注油杯M6	NOPPLE, GREASE	1					
18	F115-01030005	异形橡胶套	RUBBER SLEEVE	1					
19	F115-01030017	手柄垫圈B	WASHER B, HANDLE	2					
20	F115-01030018	手柄托架尼龙衬套	BUSH, NYLON	2					
21	GB/T889.2-M10x1.25	非金属嵌件六角锁紧螺母M10x1.25	SELF-LUCKING NUT M10x1.25	1					
22	GB/T97.1-12	平垫圈 12	WASHER 12	1					
23	F115-01030014	手柄托架	BARCKET	1					
24	F115-01030016	手柄垫块	CUSHION BLOCK, HANDLE	1					
25	F115-01030015	手柄垫圈A	WASHER A, HANDLE	2					
26	GB/T848-12	小垫圈12	SMALL WASHER 12	1					
27	F115-01030023	托架螺栓 M12x1.25x80	BOLT M12x1.25x80	1					
28	F115-01030709	垫片	SHIM	2					
29	F115-01030710	握把固定块	FIXED BLOCK, HANDLE	1					
30	F115-01030708	衬管	LINER TUBE	1					
31	F115-01030706	压缩弹簧座	BASE, SPRING	2					
32	F4-01090007	压缩弹簧	SPRING	1					
33	F4-01090006	衬套	BUSH	1					
34	F115-01030007	支架橡胶套	RUBBER SLEEVE, BRACKET	2					
35	F115-01030009	变档拉杆支架	BRACKET, GEAR PULL ROD	1					
36	F115-01030008	拉杆固定卡	FIXED CARD, PULL ROD	2					
37	F115-01030006	油门拉杆支架	BRACKET, ACCELERATOR PULL ROD	1					
38	F115-01030003	压板减磨片	ANTIFRICTION DISC	1					
39	F115-01030010	压板	PLATE	1					
40	GB/T5783-M6x14	六角螺栓 M6x14	BOLT M6x14	2					
41	F115-01030700A	节气门杆组件	THROTTLE STEM ASSY	1					
42	F115-01030701A	节气门杆	THROTTLE STEM	1					
43	GB/T879.4-3x14	标准型卷制弹性圆柱销 Ø3x14	PIN Ø3x14	1					

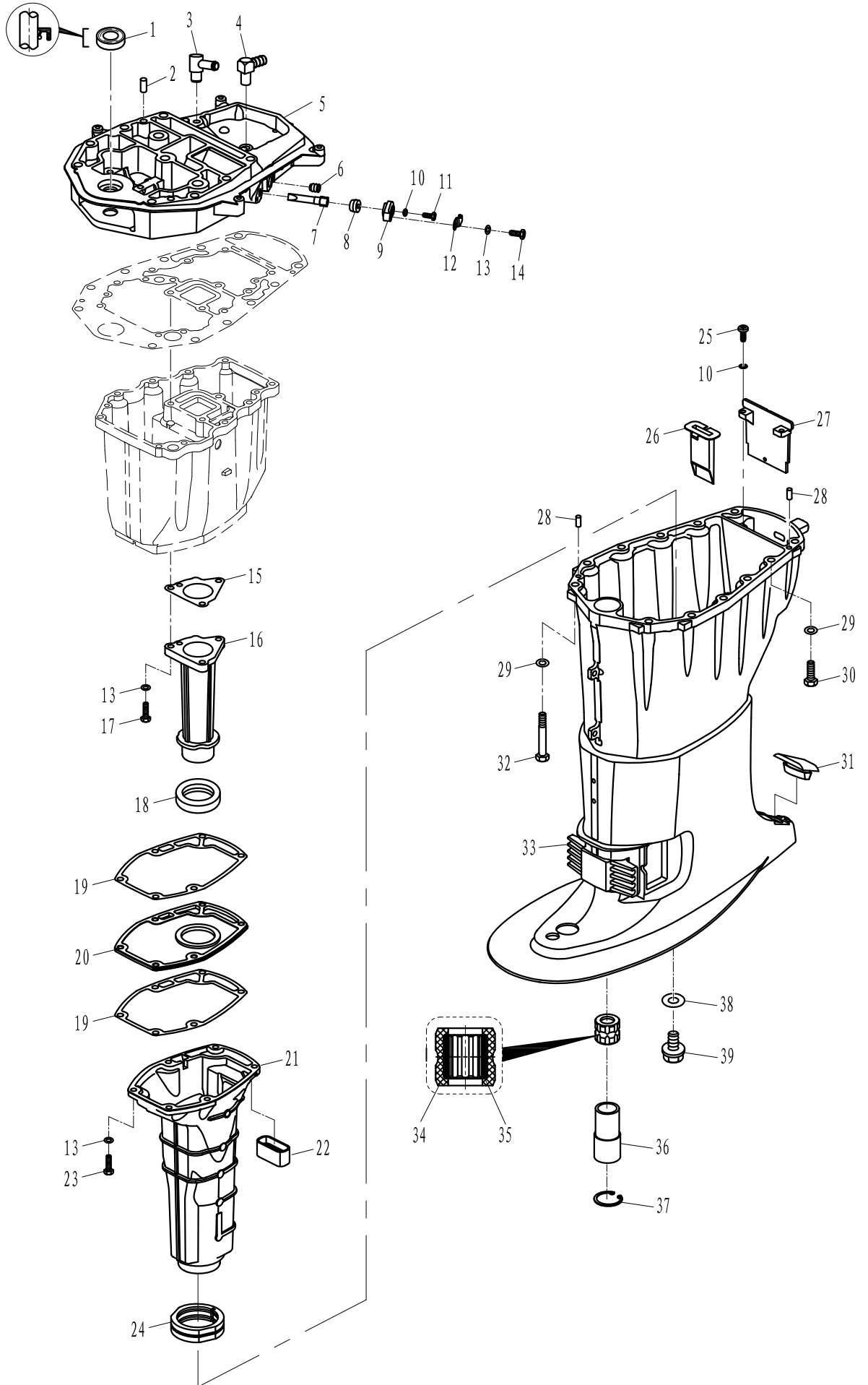
零部件名称: 集成操舵系统(手操) 2

PARTS NAME: MULTI-FUNCTION TILLER SYSTEM(MANUAL CONTROL) 2



零部件名称: 水上装置壳体

PARTS NAME: UPPER CASING



零部件名称:

水上装置壳体

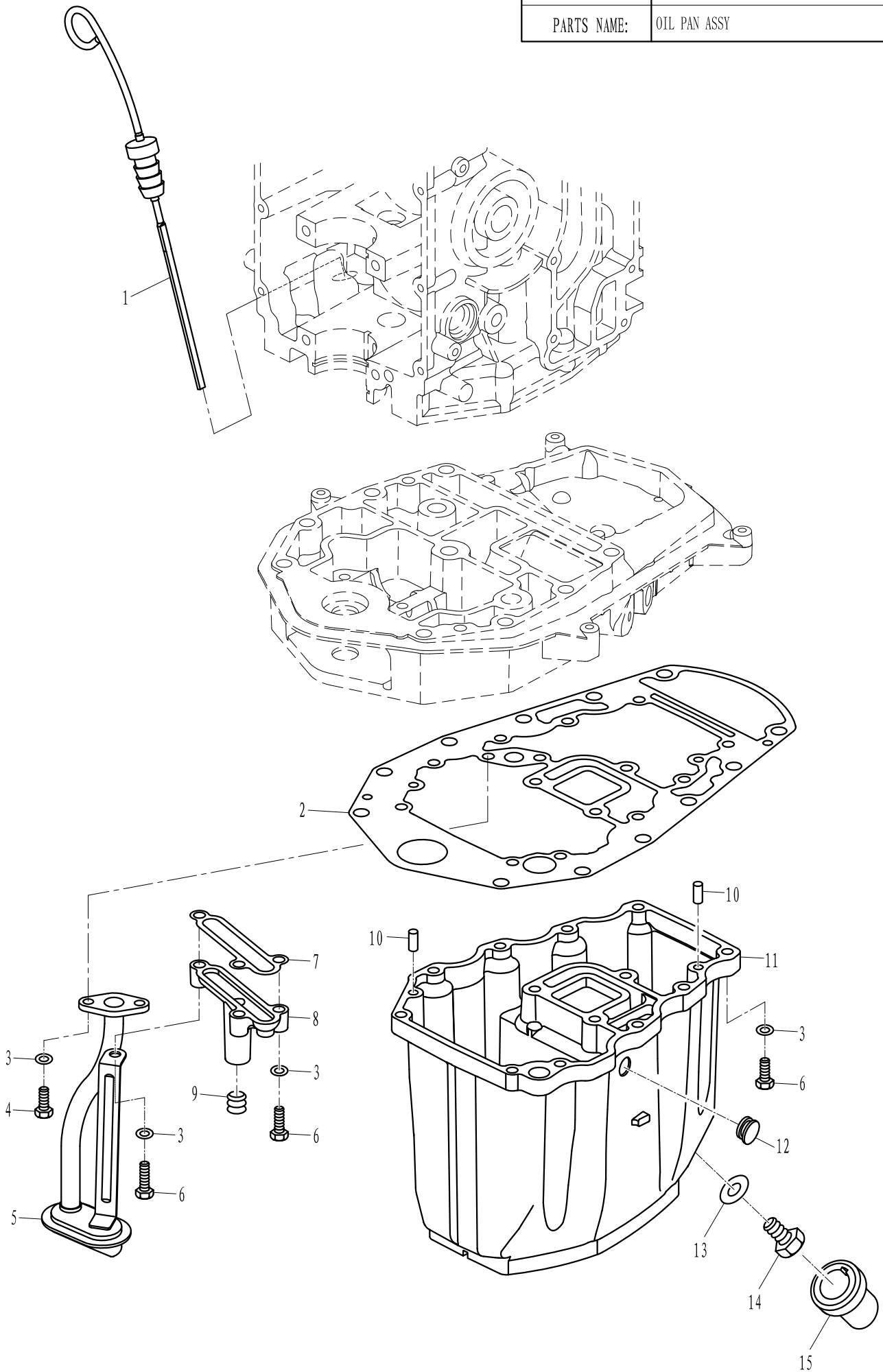
PARTS NAME:

UPPER CASING

SN. 参照号码	PART NO. 零件编号	DESCRIPTION 零件名称(中文)	DESCRIPTION 零件名称(英文)	QTY 数量				REMARKS 备注
1	F25-02010002	排气歧管座油封 16x30x6	OIL SEAL 16x30x6	1				
2	F25-00000014	定位销 $\phi 8 \times 12$	PIN $\phi 8 \times 12$	2				
3	F15-04000005	水嘴	WATER NOZZLE	1				
4	F25-02010003	回气管接头B	JOINT B, GAS PIPE	1				
5	F40-02010001	排气歧管座	SEAT, OUTLET MANIFOLD	1				
6	F15-07010005	堵塞 1/4"	PLUG 1/4"	1				
7	F25-02010005	阳极	ANODE	1				
8	F15-07010009	阳极密封圈	SEAL, ANODE	1				
9	F15-07010011	阳极盖板	COVER, ANODE	1				
10	GB/T97.1-5	平垫圈 5	WASHER 5	3				
11	GB/T5783-M5x12	六角螺栓 M5x12	BOLT M5x12	1				
12	F15-07010012	阳极锁止片	PLATE, ANODE	1				
13	GB/T97.1-6	平垫圈 6	WASHER 6	10				
14	GB/T5783-M6x20	六角螺栓 M6x20	BOLT M6x20	1				
15	F25-02000011	排气导管垫	GASKET, EXHAUST PIPE	1				
16	F40-02010005	排气导管	EXHAUST PIPE	1				
17	GB/T5783-M6x50	六角螺栓 M6x50	BOLT M6x50	3				
18	F40-02010006	排气管密封圈	SEAL RING, EXHAUST PIPE	1				
19	F40-02010007	隔板密封垫	GASKET, CLAPBOARD	2				
20	F40-02010008	隔板	CLAPBOARD	1				
21	F40-02010009L	排气歧管(L)	OUTLET MANIFOLD	1				L
	F40-02010009S	排气歧管(S)	OUTLET MANIFOLD(S)	1				S
22	F40-02000008	排气歧管橡胶套 B	RUBBER JACKET B, OUTLET MANIFOLD	1				
23	GB/T5783-M6x25	六角螺栓 M6x25	BOLT M6x25	6				
24	F40-02000007	排气歧管橡胶套 A	RUBBER JACKET A, OUTLET MANIFOLD	1				
25	GB/T818-M5x16	十字槽盘头螺钉 M5x16	SCREW M5x16	2				
26	F40-02000004	塑料排气接口	EXHAUST GUIDE, PLASTIC	1				
27	F25-02000003	排气隔板	CLAPBOARD, EXHAUST	1				
28	F15-00000006	定位销 $\phi 6 \times 12$	PIN $\phi 6 \times 12$	2				
29	GB/T97.1-8	平垫圈 8	WASHER 8	10				
30	GB/T5783-M8x30	六角螺栓 M8x30	BOLT M8x30	4				
31	F40-00000002	水上装置橡胶堵塞	RUBBER PLUG, UPPER CASING	1				
32	GB/T5782-M8x80	六角螺栓 M8x80	BOLT M8x80	8				
33	F40-02000001L	水上装置壳体(L)	UPPER CASING(L)	1				L
	F40-02000001S	水上装置壳体(S)	UPPER CASING(S)					S
34	T40-02000004	驱动轴衬套橡胶套	RUBBER BUSHING	1				
35	T40-02000003	驱动轴衬套	BUSHING, DRIVE SHAFT	1				
36	F40-02000003	驱动轴护套	JACKET, DRIVE SHAFT	1				L
37	GB/T893.1-32	A型孔用弹性挡圈 32	CIRCLIP 32	1				L
	GB/T893.1-30	A型孔用弹性挡圈 30	CIRCLIP 30					S
38	F15-04000003	放油螺塞垫片	WASHER, BOLT	1				
39	F15-04000002	放油螺塞	BOLT, OIL DRAIN	1				

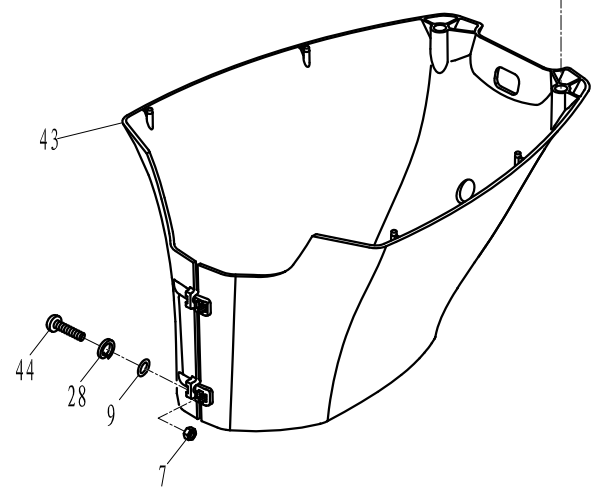
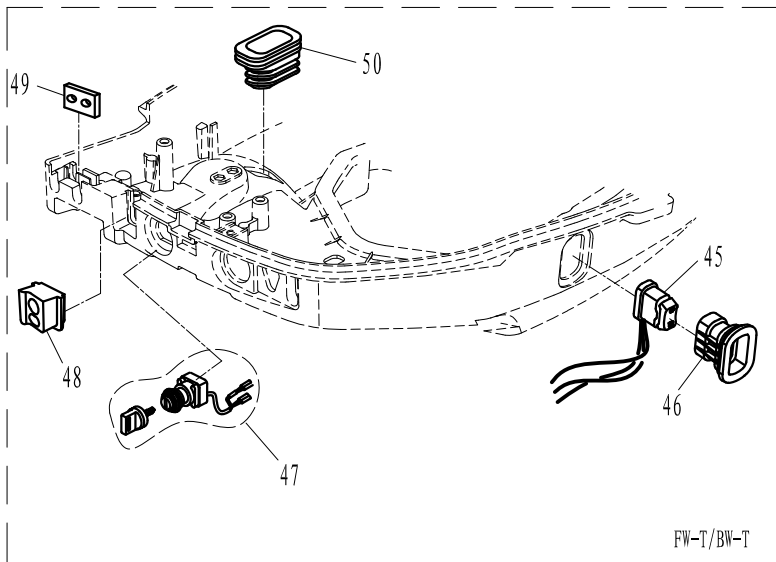
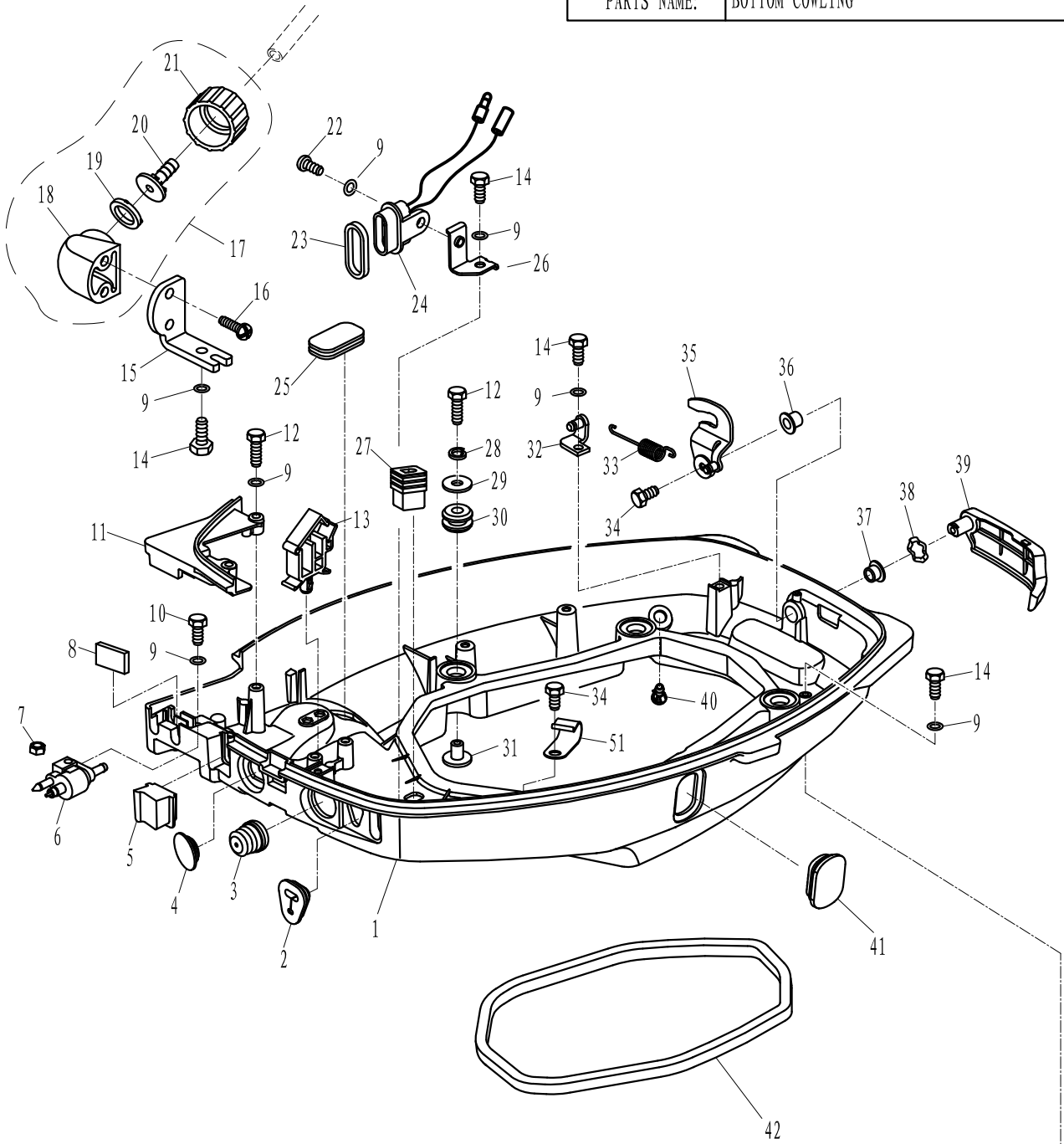
零部件名称: 油底壳组件

PARTS NAME: OIL PAN ASSY



零部件名称: 底罩

PARTS NAME: BOTTOM COWLING



FW-T/BW-T

零部件名称:

底罩

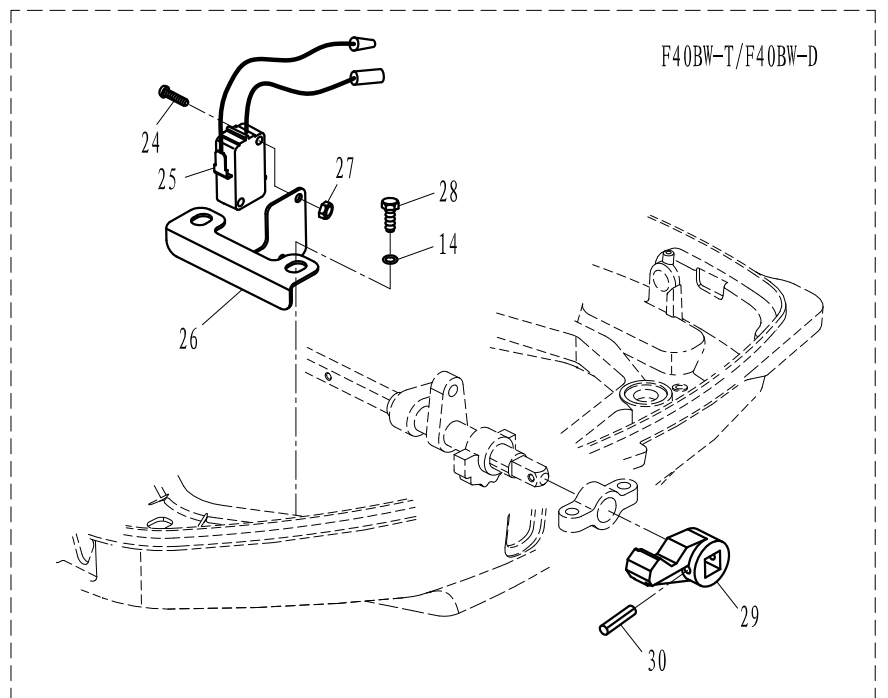
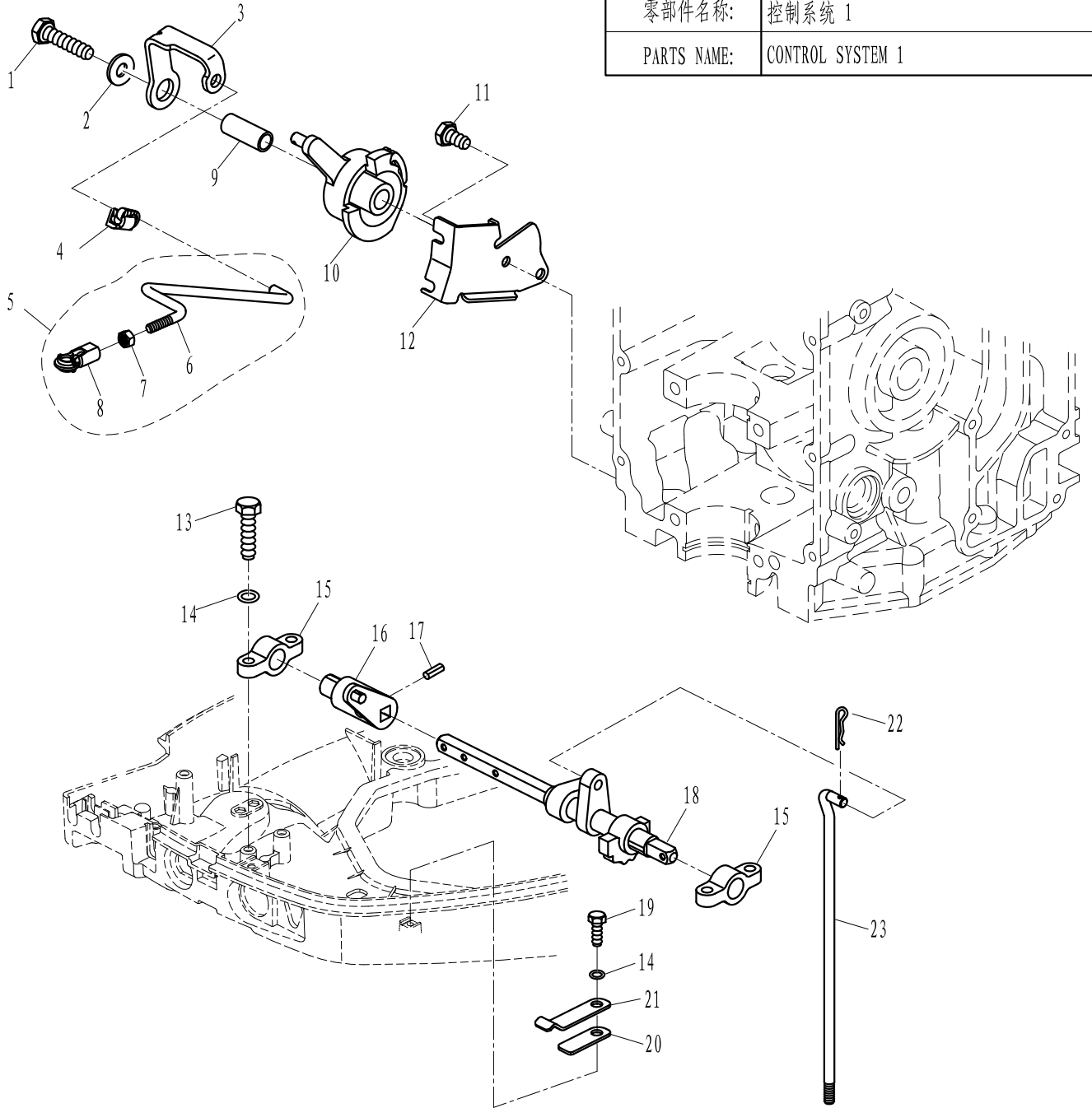
PARTS NAME:

BOTTOM COWLING

SN. 参照号码	PART NO. 零件编号	DESCRIPTION 零件名称(中文)	DESCRIPTION 零件名称(英文)	QTY 数量					REMARKS 备注
1	F40-0300001EFI	底罩	BOTTOM COWLING	1					
2	F15-01000015	油门钢索护套	JACKET, CABLE	1					
3	F15-05000006	波纹橡胶套	SHEATH, WAVE	1					
4	F25-03000003	圆形橡胶闷头	RUBBER PLUG, CIRCULAR	1					
5	F40-03000009	异形橡胶闷头	RUBBER PLUG, ABNORMAL	1					
6	F4-05000200	燃油管接头组件	FUEL CONNECTOR ASSY	1					
7	GB/T6170-M6	六角螺母 M6	NUT M6	3					
8	F15-05000017	方形橡胶密封条	SEAL, RUBBER	1					
9	GB/T97.1-6	平垫圈6	WASHER 6	10					
10	GB/T5783-M6x25	六角螺栓 M6x25	BOLT M6x25	1					
11	F40-03000006	底罩小盖板	COVER BOARD, BOTTOM COWLING	1					
12	GB/T5783-M6x30	六角螺栓 M6x30	BOLT M6x30	4					
13	F15-05000008	方形线夹A	CLAMP A	1					
14	GB/T5783-M6x20	六角螺栓 M6x20	BOLT M6x20	5					
15	F25-03000023W	堵塞支架	BRACKET, JAM	1					
16	GB/T84.5-ST5.5x19	十字槽盘头自攻螺钉 ST5.5x19	SCREW ST5.5x19	2					
17	F25-03000100W	水管堵塞组件	JAM ASSY	1					
18	F25-03000101W	堵塞本体	JAM	1					
19	F25-03000102W	堵塞橡胶圈	RUBBER RING, JAM	1					
20	F25-03000103W	堵塞接头	JOINT, JAM	1					
21	F25-03000104W	堵塞螺母	NUT, JAM	1					
22	GB/T823-M6x10	十字槽小盘头螺钉 M6x10	SCREW M6x10	1					
23	F20-03000101	指示灯密封件	SEAL, PILOT LAMP	1					
24	F20-03000100EFI	指示灯组件	PILOT LAMP ASSY	1					
25	F15-05000003	长方形橡胶闷头	RUBBER PLUG, QUADRATE	1					
26	F40-03000012	指示灯固定架	BRACKET, PILOT LAMP	1					
27	F15-05000033	变档连接杆护套	JACKET, LEVER	1					
28	GB/T93-6	弹簧垫圈 6	SPRING-WASHER 6	4					
29	F25-00000004	特大垫圈 6	BIG WASHER 6	4					
30	F25-03000006	减震圈	DAMPER	4					
31	F25-03000007	减震圈垫管	BUSHING, DAMPER	4					
32	F25-03000019	拉簧支架组件	BRACKET ASSY, TENSIONAL SPRING	1					
33	F15-05000026	锁紧块拉簧	SPRING, TENSION	1					
34	GB/T5783-M6x12	六角螺栓 M6x12	BOLT M6x12	1					
35	F25-03020000	顶罩锁紧块组件	LOCKING ASSY, TOP COWLING	1					
36	F15-05000036	顶罩锁紧手柄尼龙套B	BUSHING B	1					
37	F15-05000022	顶罩锁紧手柄尼龙套A	BUSHING A	1					
38	F15-05000023	波形垫圈	WASHER, WAVE	1					
39	F40-03000100	顶罩锁紧手柄组件	LOCKING ASSY, TOP COWLING	1					
40	F15-05000009	塑料出水嘴	WATER NIPPLE, PLASTIC	1					
41	F40-03000011	底罩堵塞	JAM, BOTTOM COWLING	1					
42	F25-03000002	底罩密封条	SEAL, BOTTOM COWLING	1					
43	F40-00000100	水上装置罩壳	SHIELD, UPPER CASING	1					

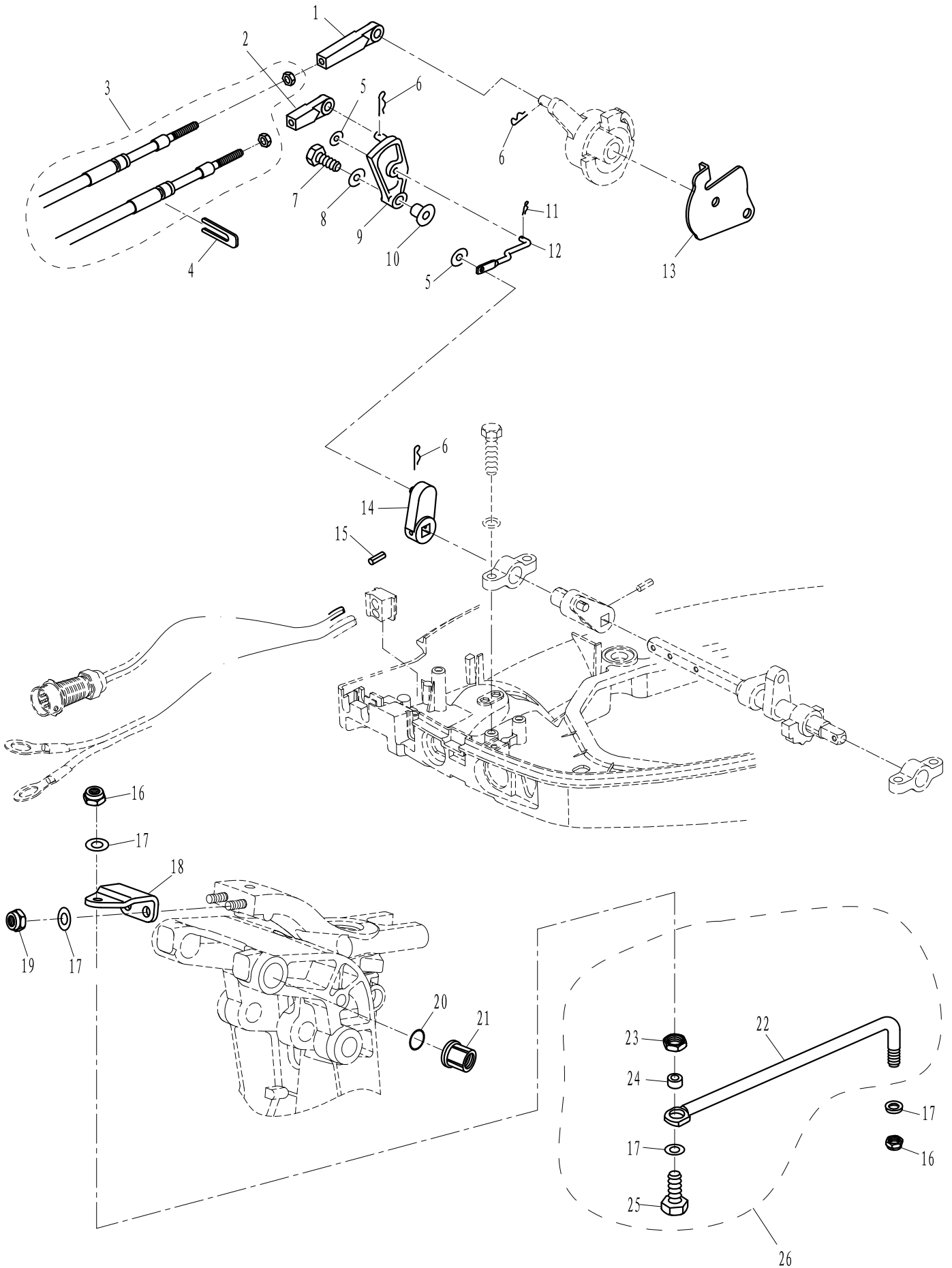
零部件名称: 控制系统 1

PARTS NAME: CONTROL SYSTEM 1



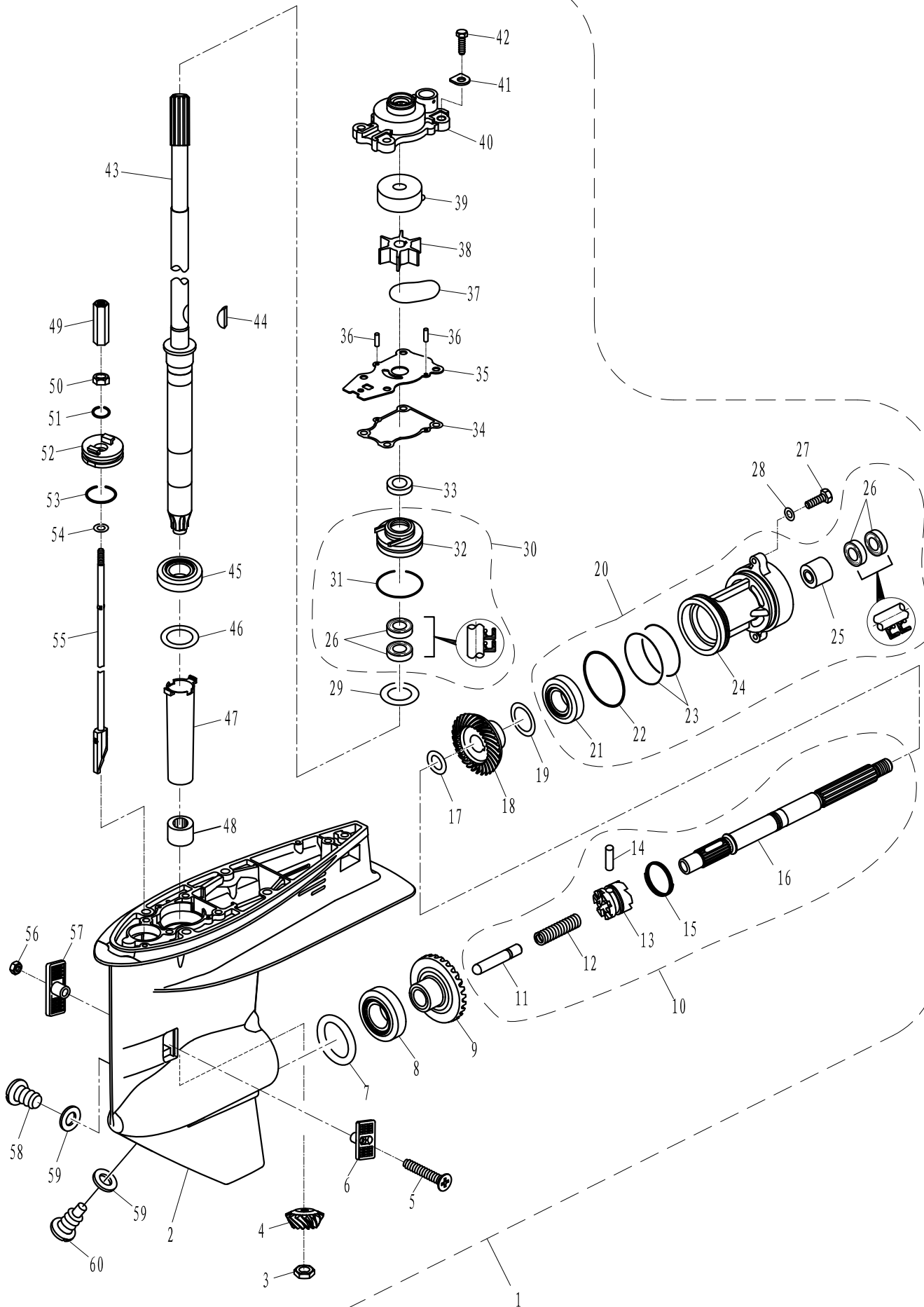
零部件名称: 控制系统 2

PARTS NAME: CONTROL SYSTEM 2



零部件名称: 水下装置壳体 and 驱动系统1

PARTS NAME: LOWER CASING & DRIVE 1



零部件名称:

水下装置壳体和驱动系统1

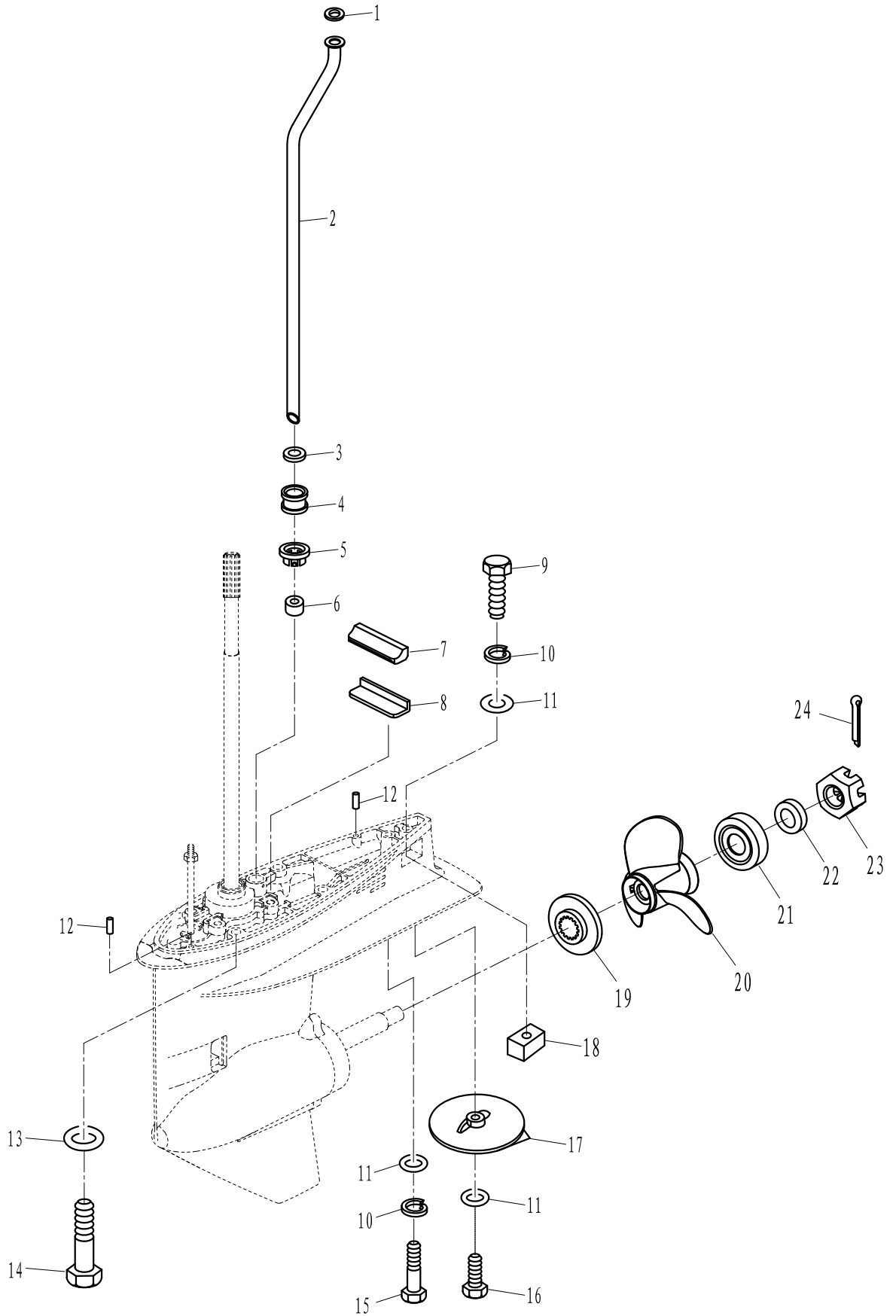
PARTS NAME:

LOWER CASING & DRIVE 1

SN. 参照号码	PART NO. 零件编号	DESCRIPTION 零件名称(中文)	DESCRIPTION 零件名称(英文)	QTY 数量				REMARKS 备注
1	F40-0400000L	水下装置组件(L)	LOWER CASING ASSY(L)	1				L
	F40-0400000S	水下装置组件(S)	LOWER CASING ASSY(S)					S
2	T40-04000001	水下装置壳体	LOWER CASING	1				
3	T40-04000006	小齿轮螺母 M12x1.25	NUT, PINION	1				
4	T40-04000005	小齿轮	PINION	1				
5	GB/T820-M5x30	十字槽半沉头螺钉 M5x30	SCREW M5x30	1				
6	T40-04000022	进水口A	WATER INLET A	1				
7	T40-04000004-1	正档齿轮填隙片(T=0.10毫米)	SHIM(t: 0.10mm)	1				
	T40-04000004-2	正档齿轮填隙片(T=0.12毫米)	SHIM(t: 0.12mm)					
	T40-04000004-3	正档齿轮填隙片(T=0.15毫米)	SHIM(t: 0.15mm)					
	T40-04000004-4	正档齿轮填隙片(T=0.18毫米)	SHIM(t: 0.18mm)					
	T40-04000004-5	正档齿轮填隙片(T=0.30毫米)	SHIM(t: 0.30mm)					
	T40-04000004-6	正档齿轮填隙片(T=0.40毫米)	SHIM(t: 0.40mm)					
	T40-04000004-7	正档齿轮填隙片(T=0.50毫米)	SHIM(t: 0.50mm)					
8	T40-04000024	圆锥滚子轴承 322/32	ROLLER BEARING	1				
9	T40-04020000	正档齿轮组件	FORWARD GEAR ASSY	1				
10	T40-04050000	螺旋桨轴组件	PROPELLER SHAFT ASSY	1				
11	T40-04050006	变档柱塞	PLUNGER, SHIFT	1				
12	T40-04050002A	离合器弹簧	SPRING, CLUTCH	1				
13	T40-04050003	爪型离合器	DOG CLUTCH	1				
14	T40-04050004	离合器销	PIN, CLUTCH	1				
15	T40-04050005	离合器簧环	ANNULAR SPRING, CLUTCH	1				
16	T40-04050001	螺旋桨轴	SHAFT, PROPELLER	1				
17	T40-04050007	倒档齿轮垫圈	WASHER, REVERSE GEAR	1				
18	T40-04060006	倒档齿轮	GEAR, REVERSE	1				
19	T40-04060005-1	填隙片(T=0.10毫米)	SHIM(T=0.10mm)	1				
	T40-04060005-2	填隙片(T=0.12毫米)	SHIM(T=0.12mm)					
	T40-04060005-3	填隙片(T=0.15毫米)	SHIM(T=0.15mm)					
	T40-04060005-4	填隙片(T=0.18毫米)	SHIM(T=0.18mm)					
	T40-04060005-5	填隙片(T=0.30毫米)	SHIM(T=0.30mm)					
	T40-04060005-6	填隙片(T=0.40毫米)	SHIM(T=0.40mm)					
	T40-04060005-7	填隙片(T=0.50毫米)	SHIM(T=0.50mm)					
20	T40-04060000	水下装置壳体盖组件	COVER ASSY, LOWER CASING	1				
21	6007 P5C4	深沟球轴承 6007 P5C4	BEARING 6007 P5C4	1				
22	T40-04060002	水下装置壳体盖O型密封圈 A	O-RING A, COVER	1				
23	T40-04060003	水下装置壳体盖O型密封圈 B	O-RING B, COVER	2				
24	T40-04060001	水下装置壳体盖	COVER, LOWER CASING	1				
25	HK-2220-JS	滚针轴承 2220	BEARING 2220	1				
26	F25-04010003	驱动轴油封22x36x6	OIL SEAL	4				
27	GB/T5783-M8x25	六角螺栓 M8x25	BOLT M8x25	2				
28	GB/T97.1-8	平垫圈 8	WASHER 8	2				
29	T40-04000008	大垫圈	BIG WASHER	1				
30	T40-04040000	油封壳体A组件	CASING A ASSY, OIL SEAL	1				

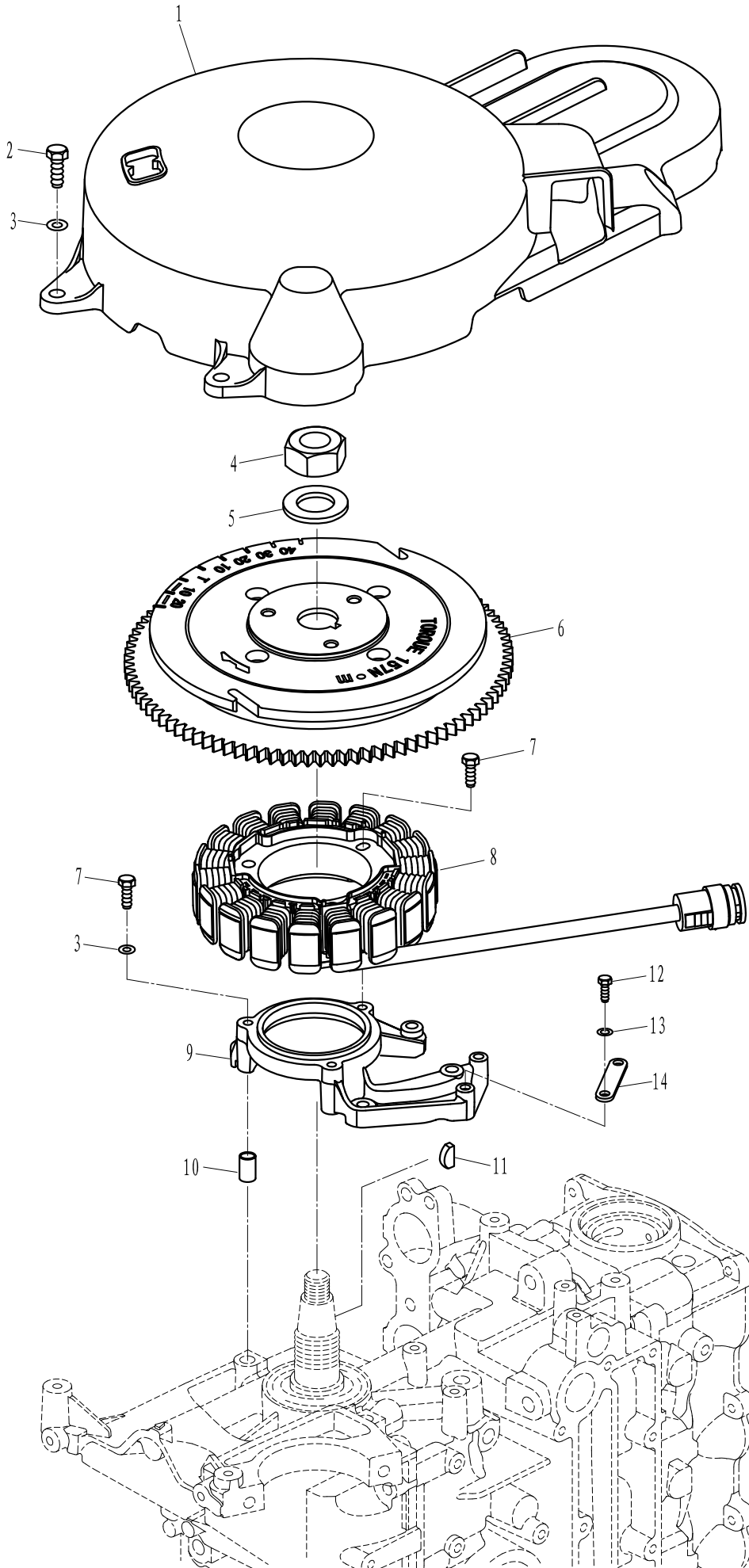
零部件名称: 水下装置壳体和驱动系统 2

PARTS NAME: LOWER CASING & DRIVE 2



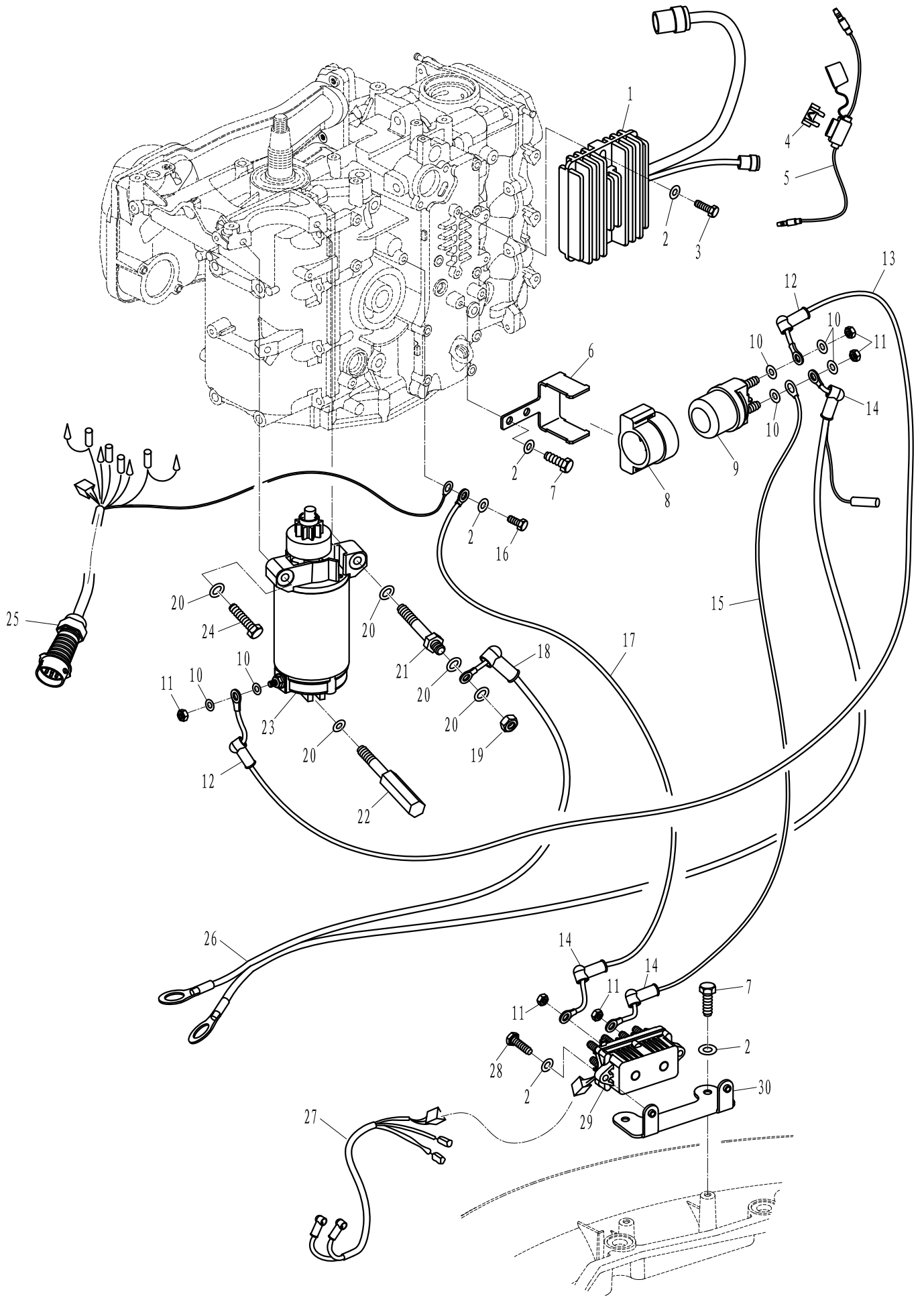
零部件名称: 电气 1

PARTS NAME: ELECTRICAL 1



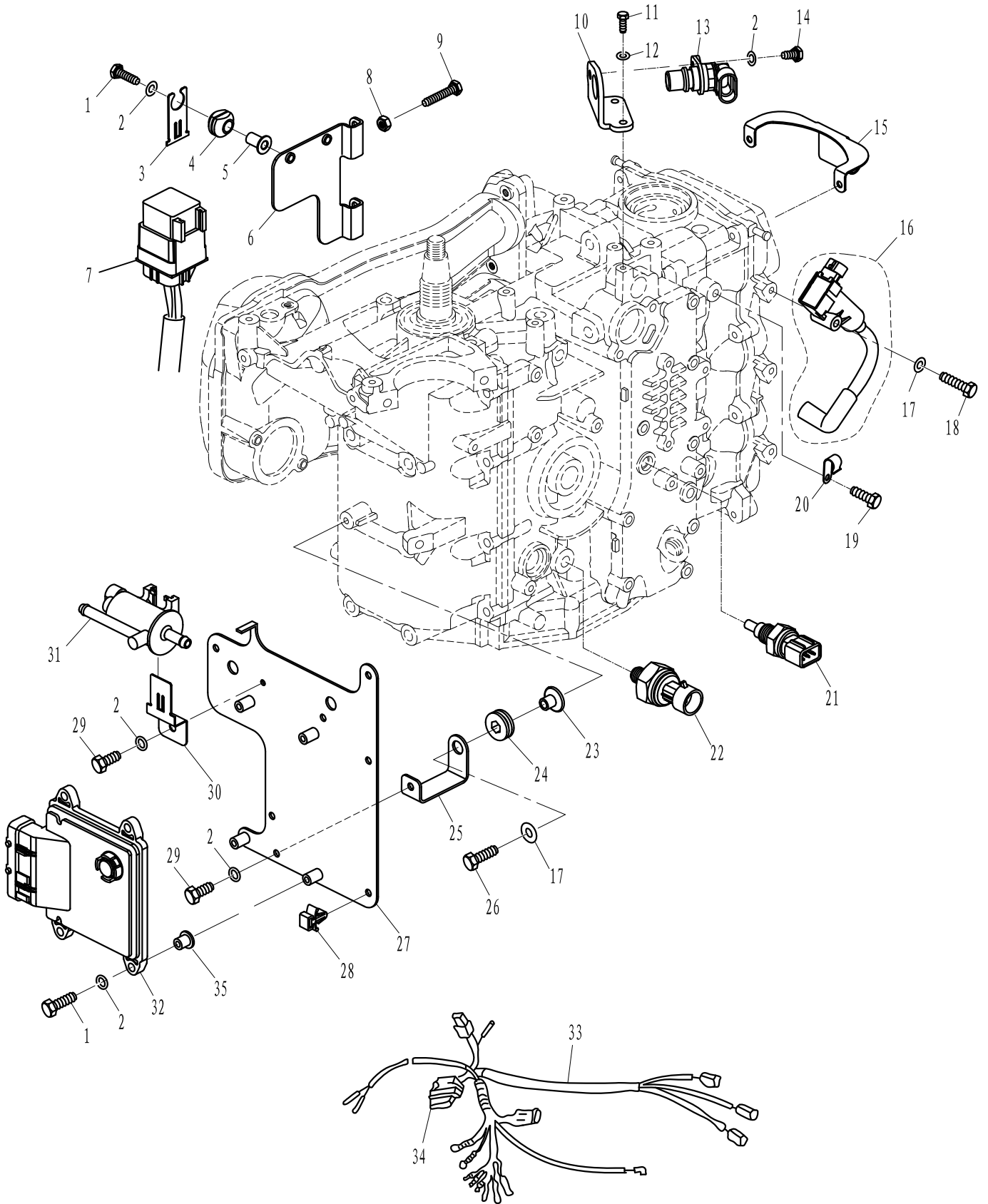
零部件名称: 电气 2

PARTS NAME: ELECTRICAL 2



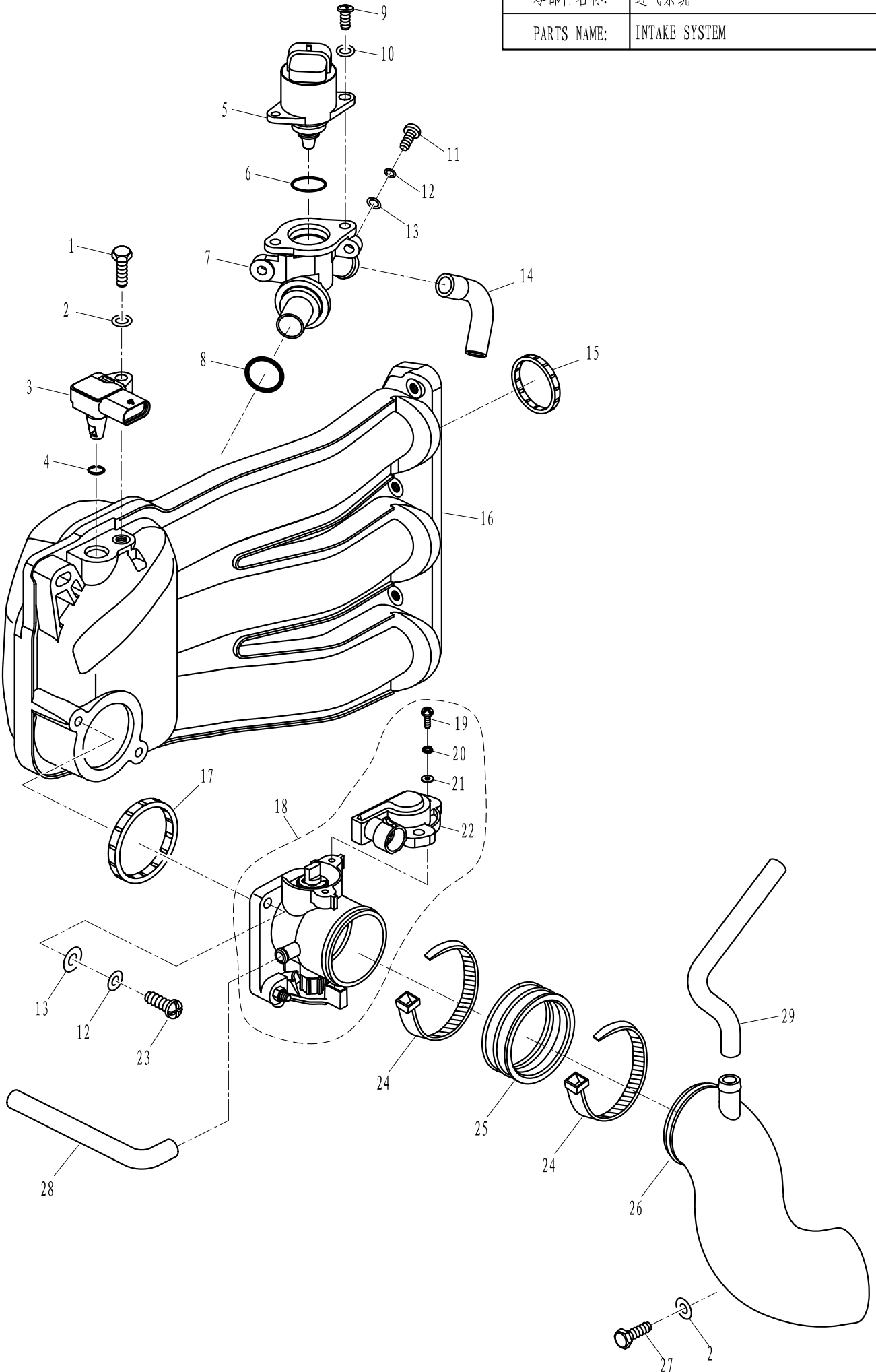
零部件名称: 电气 3

PARTS NAME: ELECTRICAL 3



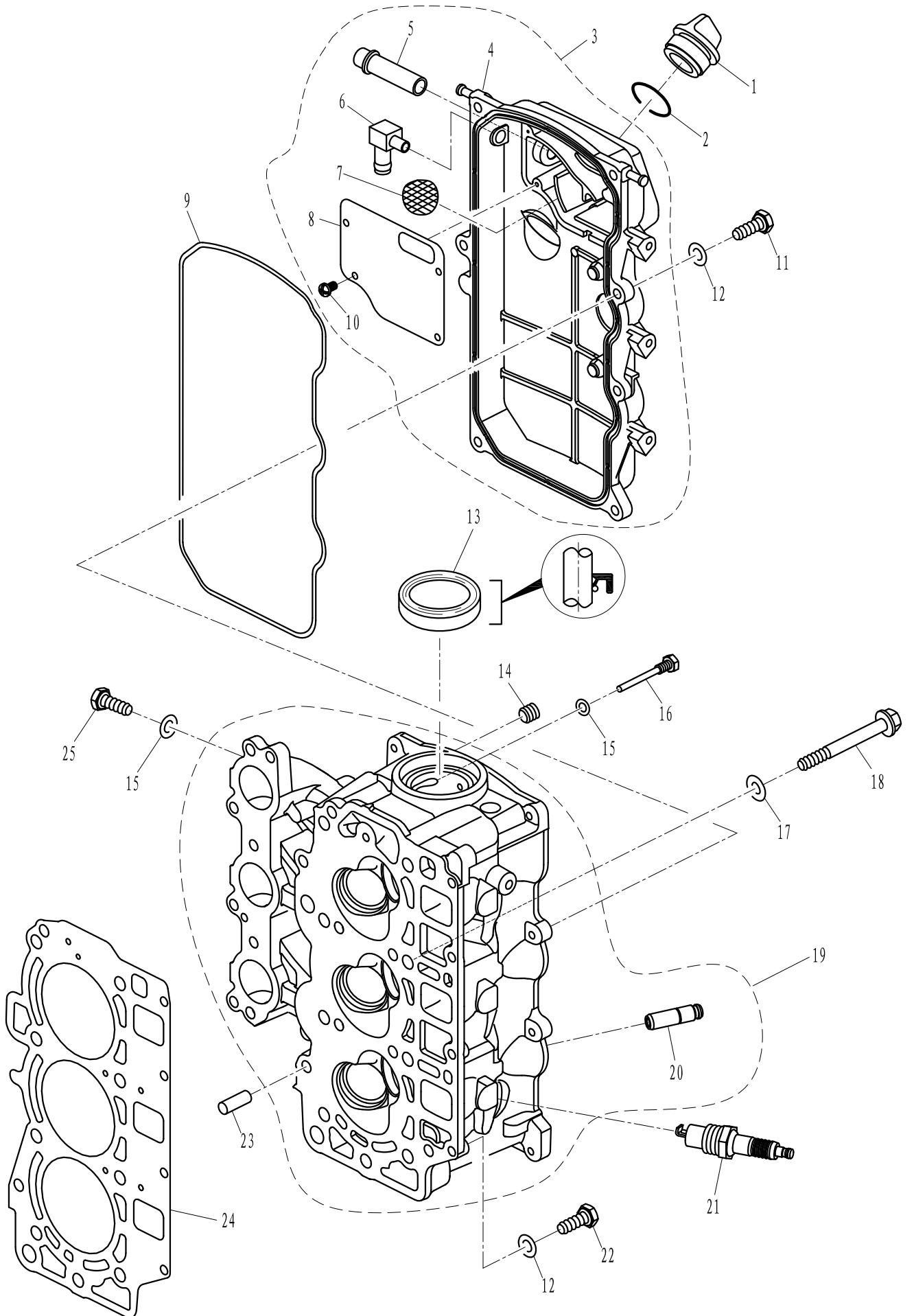
零部件名称: 进气系统

PARTS NAME: INTAKE SYSTEM



零部件名称: 气缸头

PARTS NAME: CYLINDER

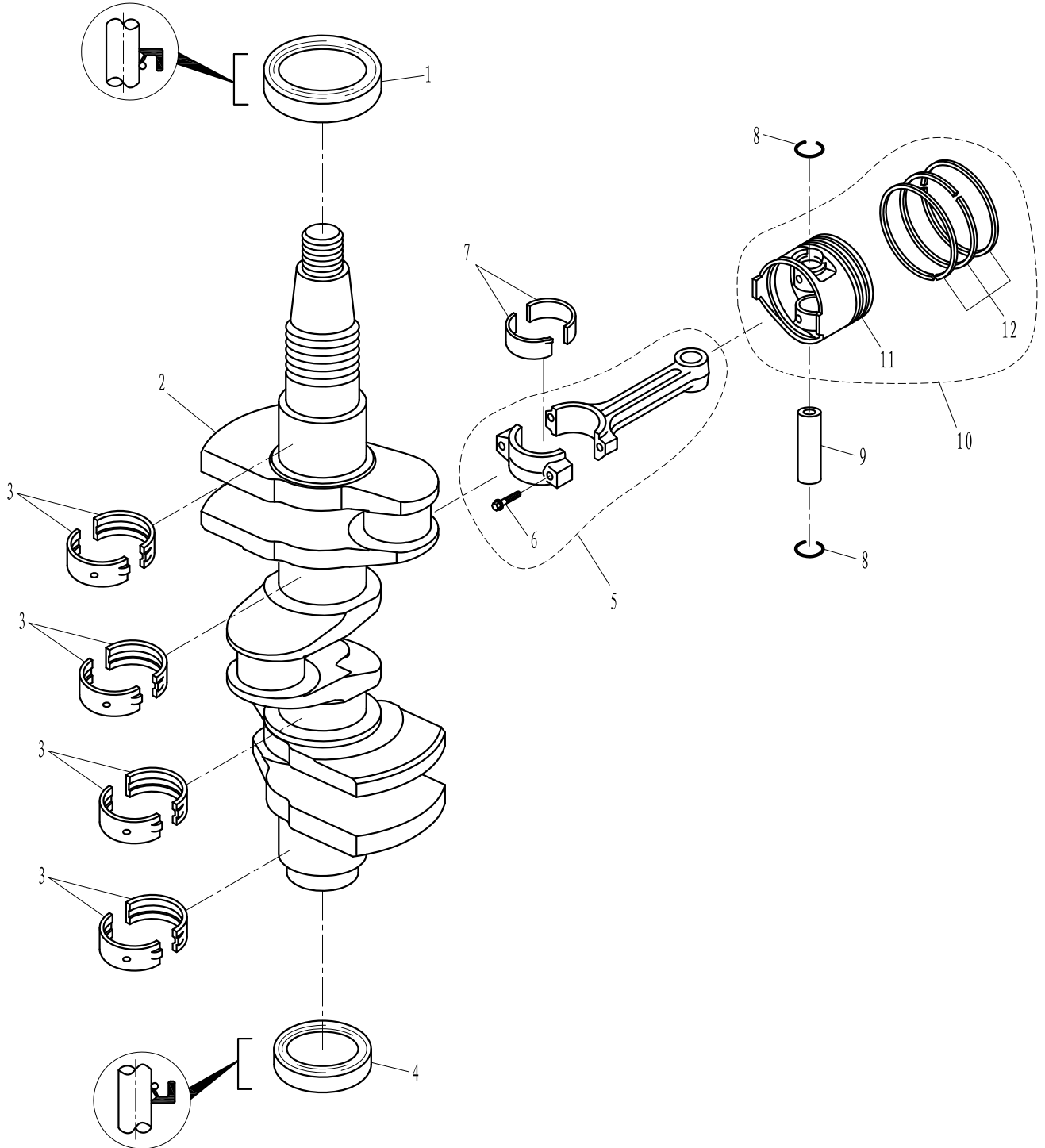


零部件名称:

曲轴&活塞

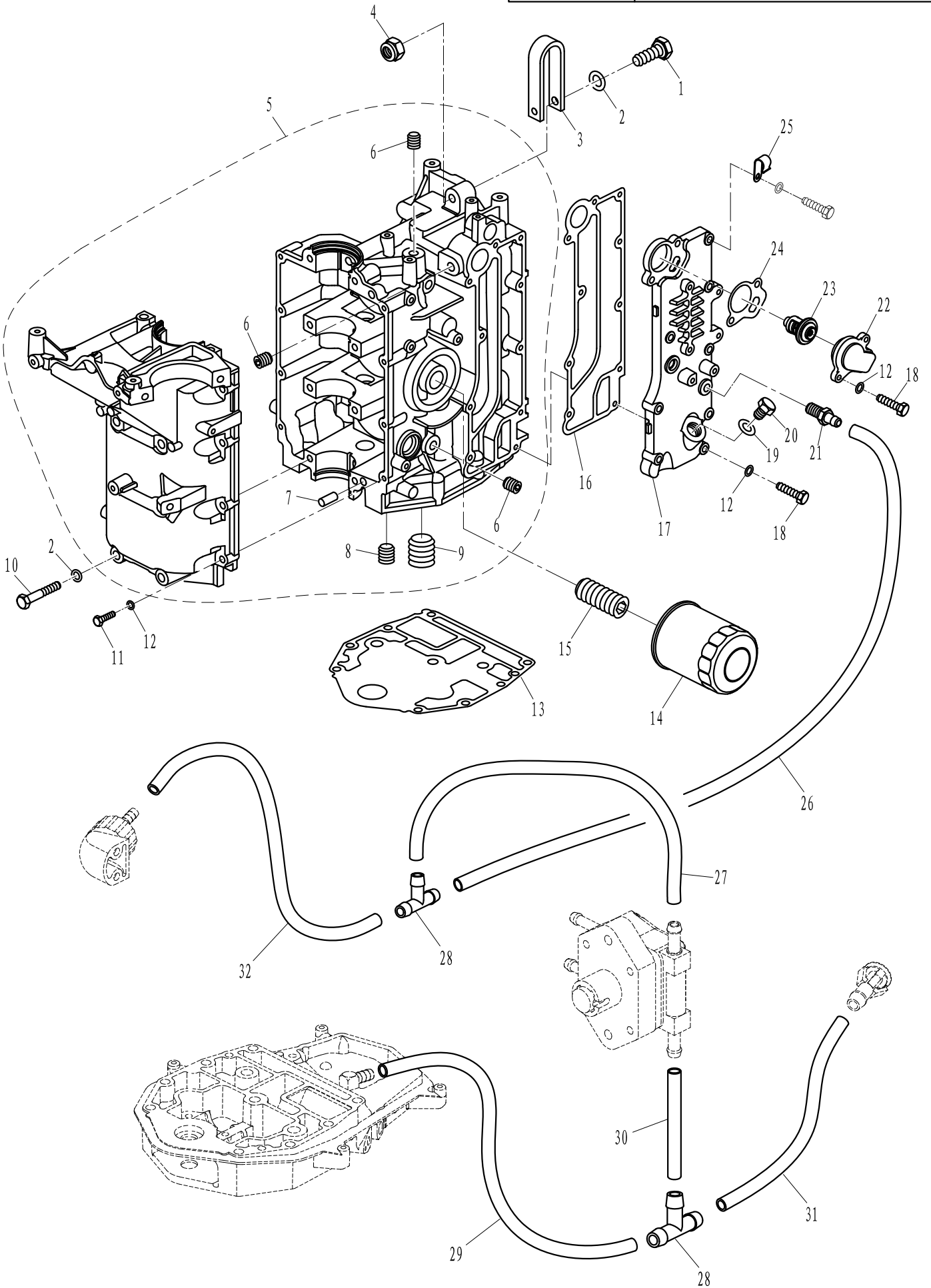
PARTS NAME:

CRANKSHAFT & PISTON



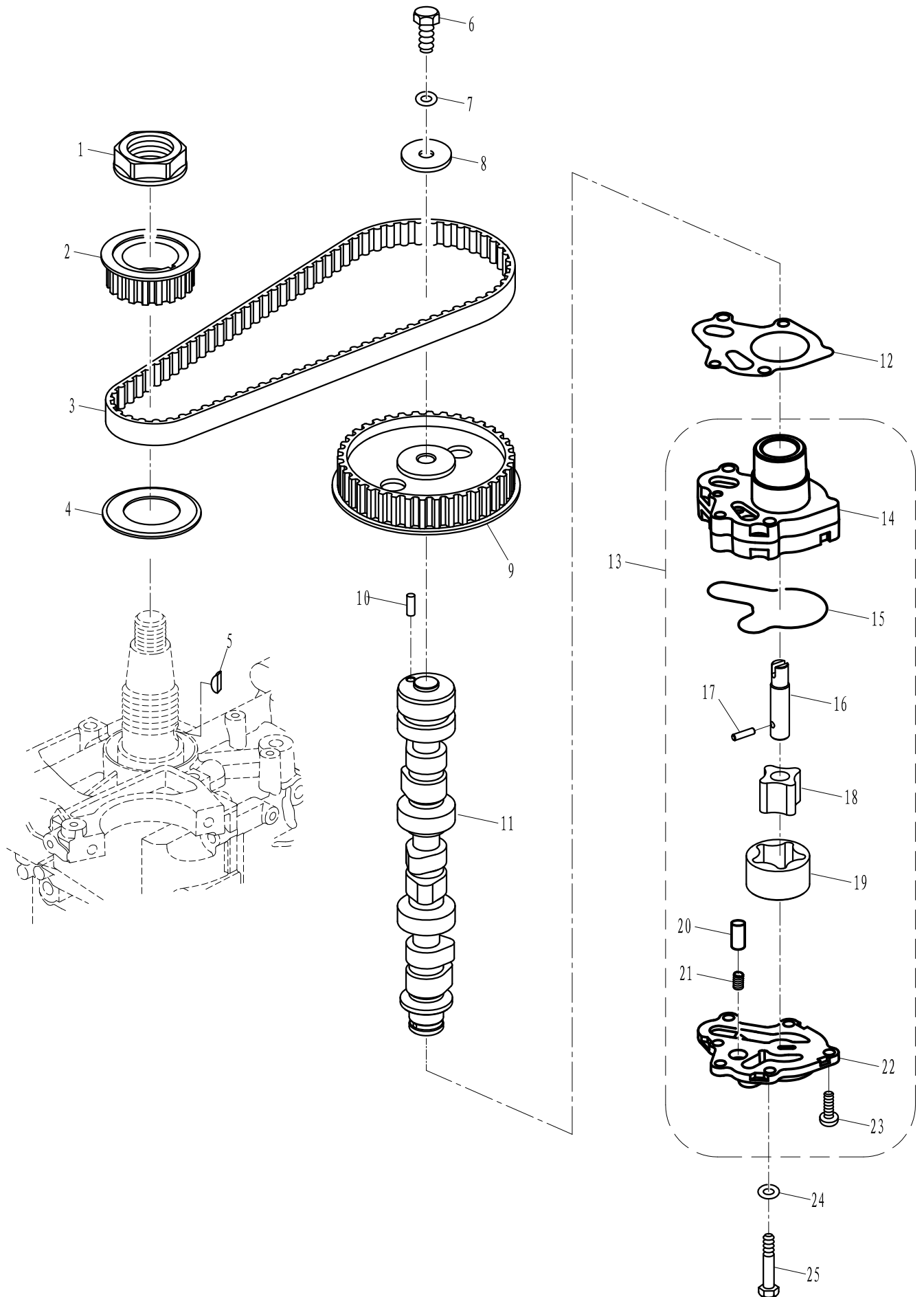
零部件名称: 曲轴箱

PARTS NAME: CRANKCASE



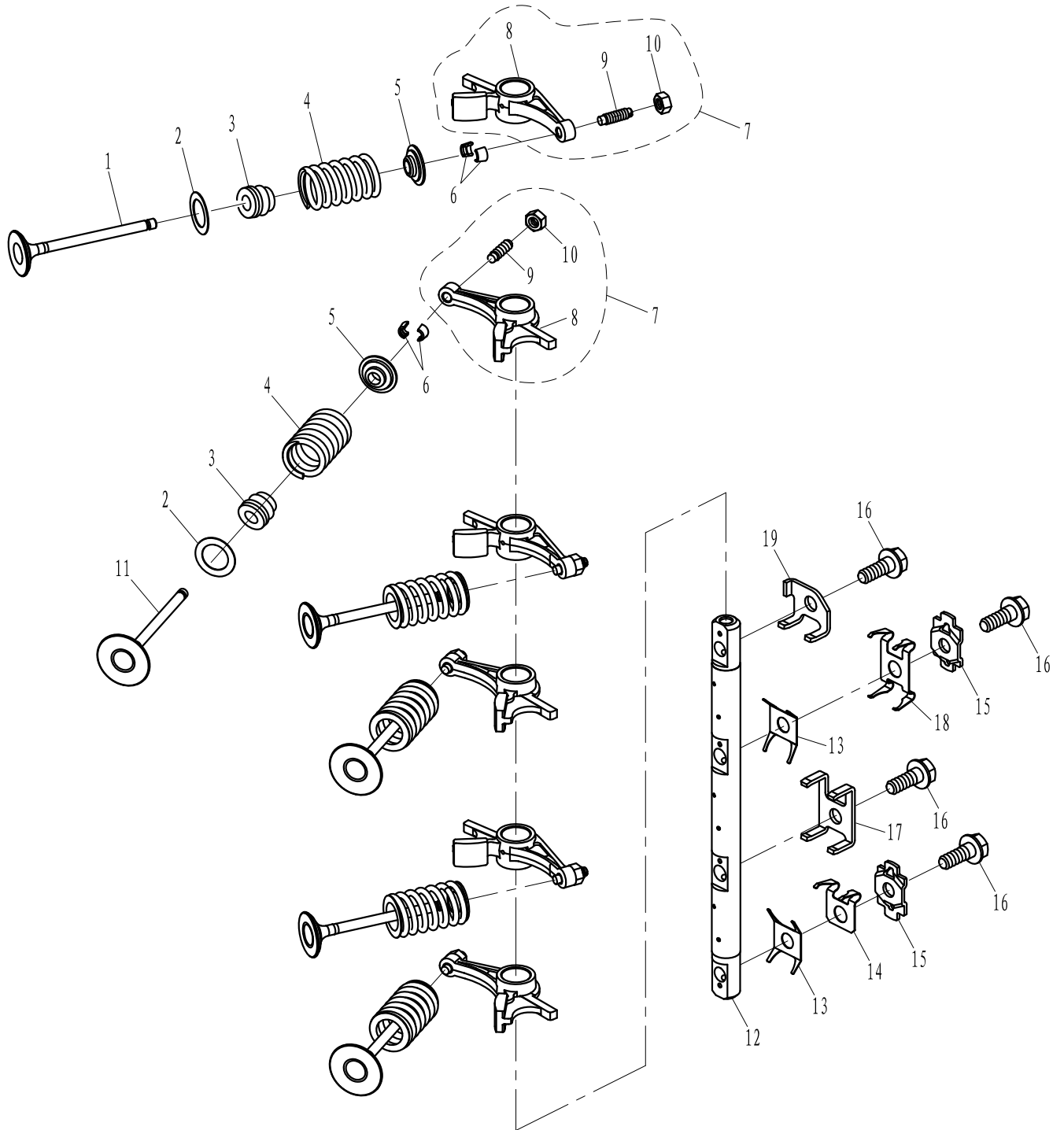
零部件名称: 油泵

PARTS NAME: OIL PUMP



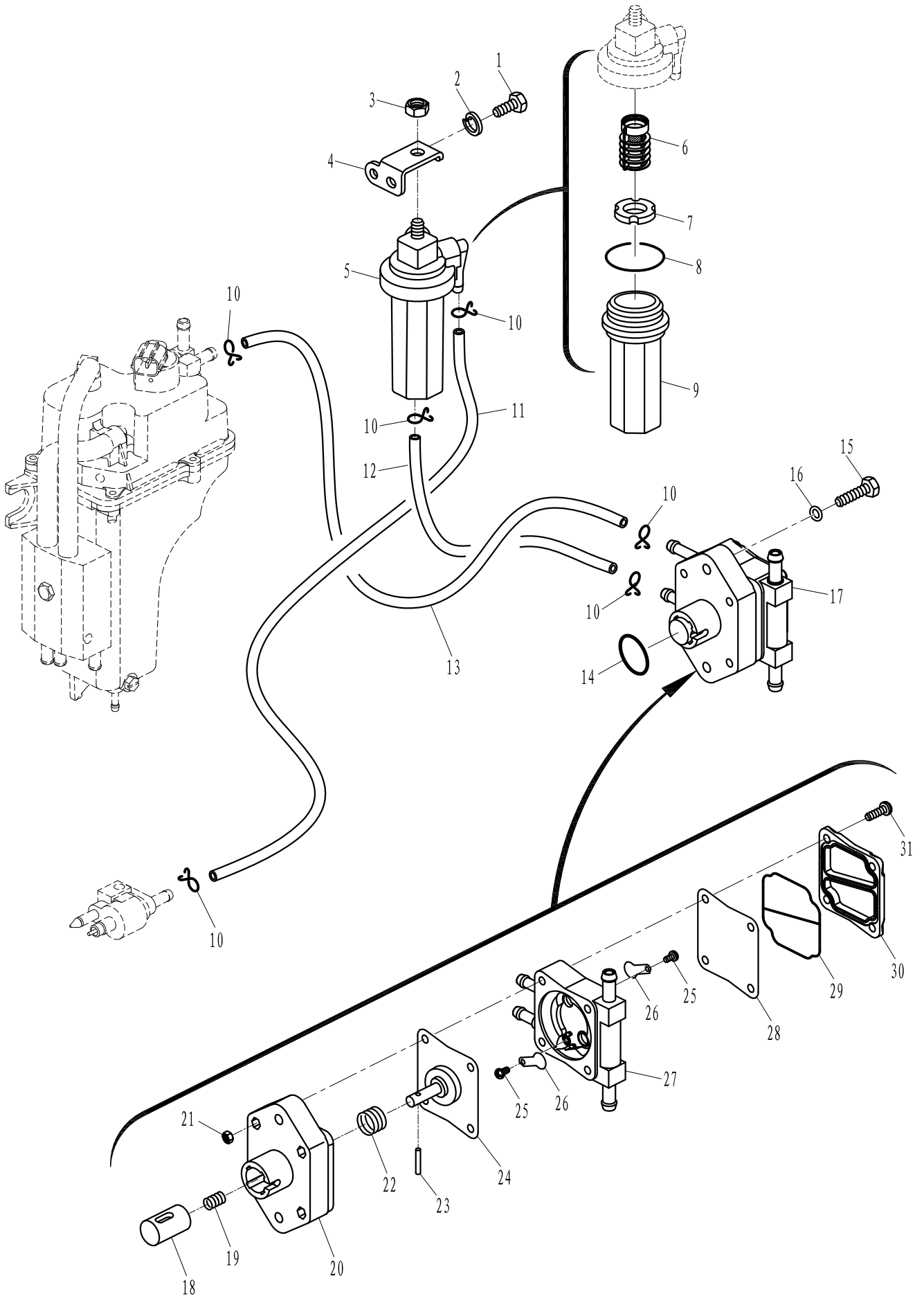
零部件名称: 阀门

PARTS NAME: VALVE



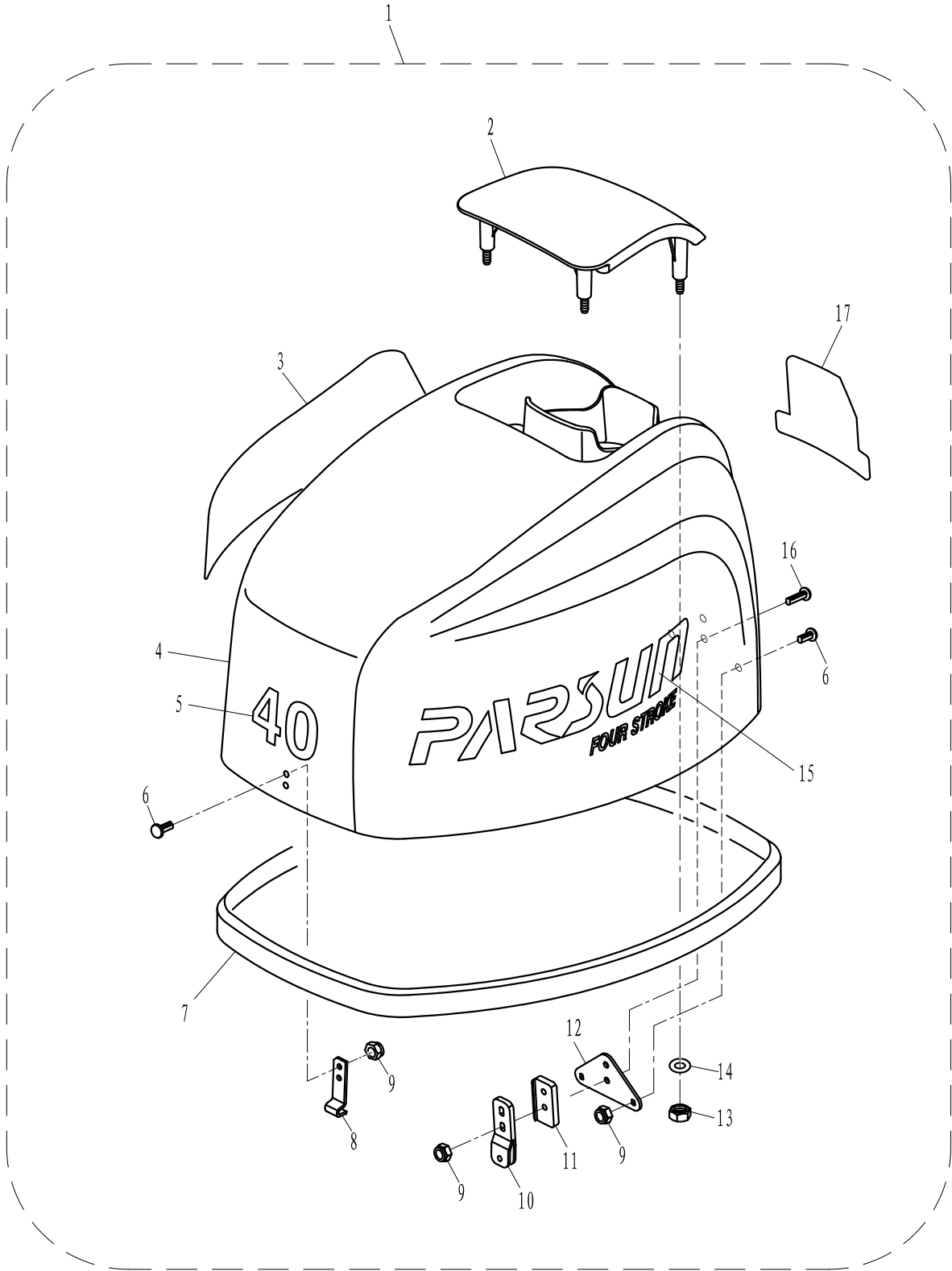
零部件名称: 燃油系统

PARTS NAME: FUEL SYSTEM



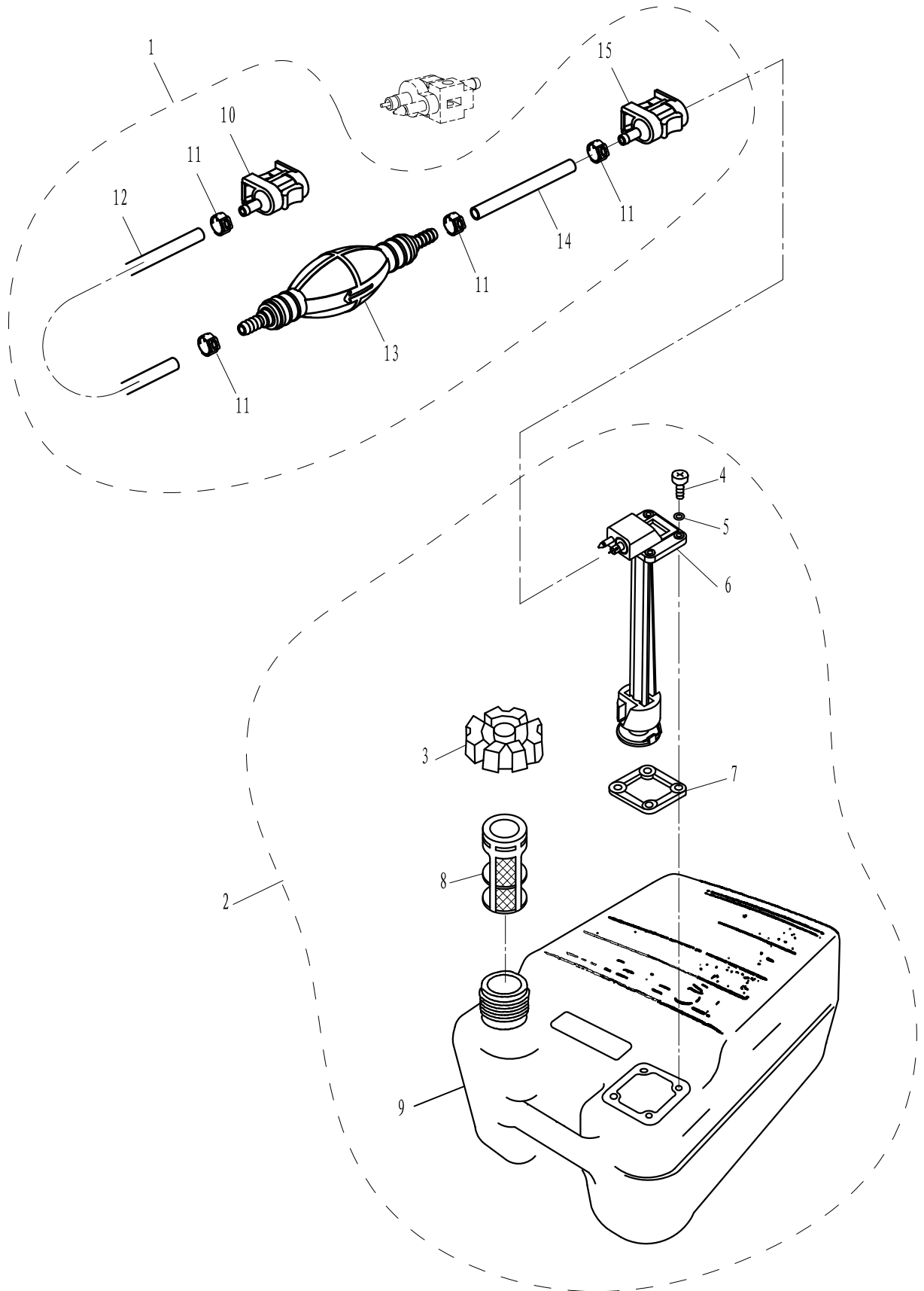
零部件名称: 顶罩组件

PARTS NAME: TOP COWLING ASSY



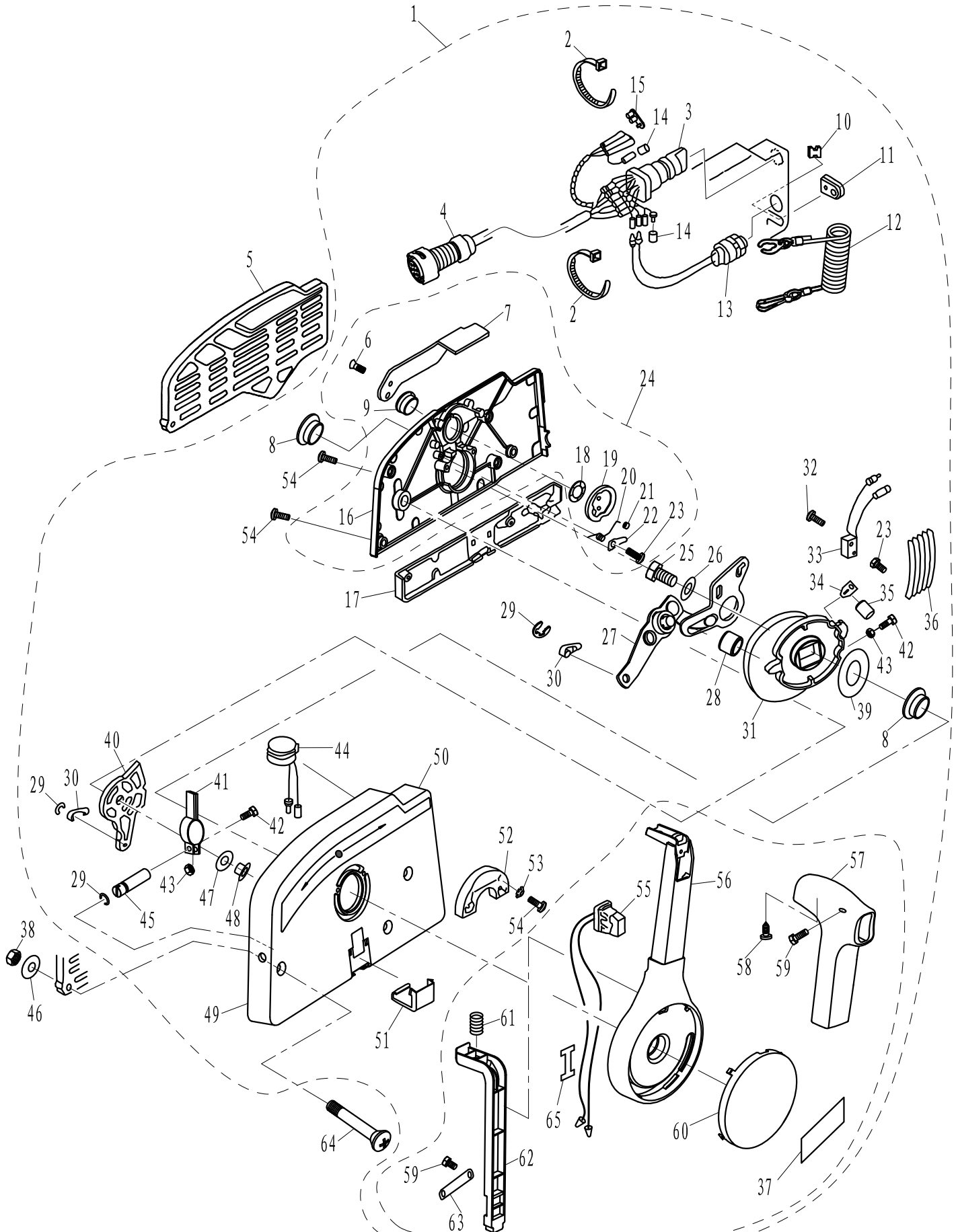
零部件名称: 外燃油箱 (24L)

PARTS NAME: OUTER FUEL TANK (24L)



零部件名称: 操纵盒组件

PARTS NAME: CONTROL BOX ASSY



零部件名称:

操纵盒组件

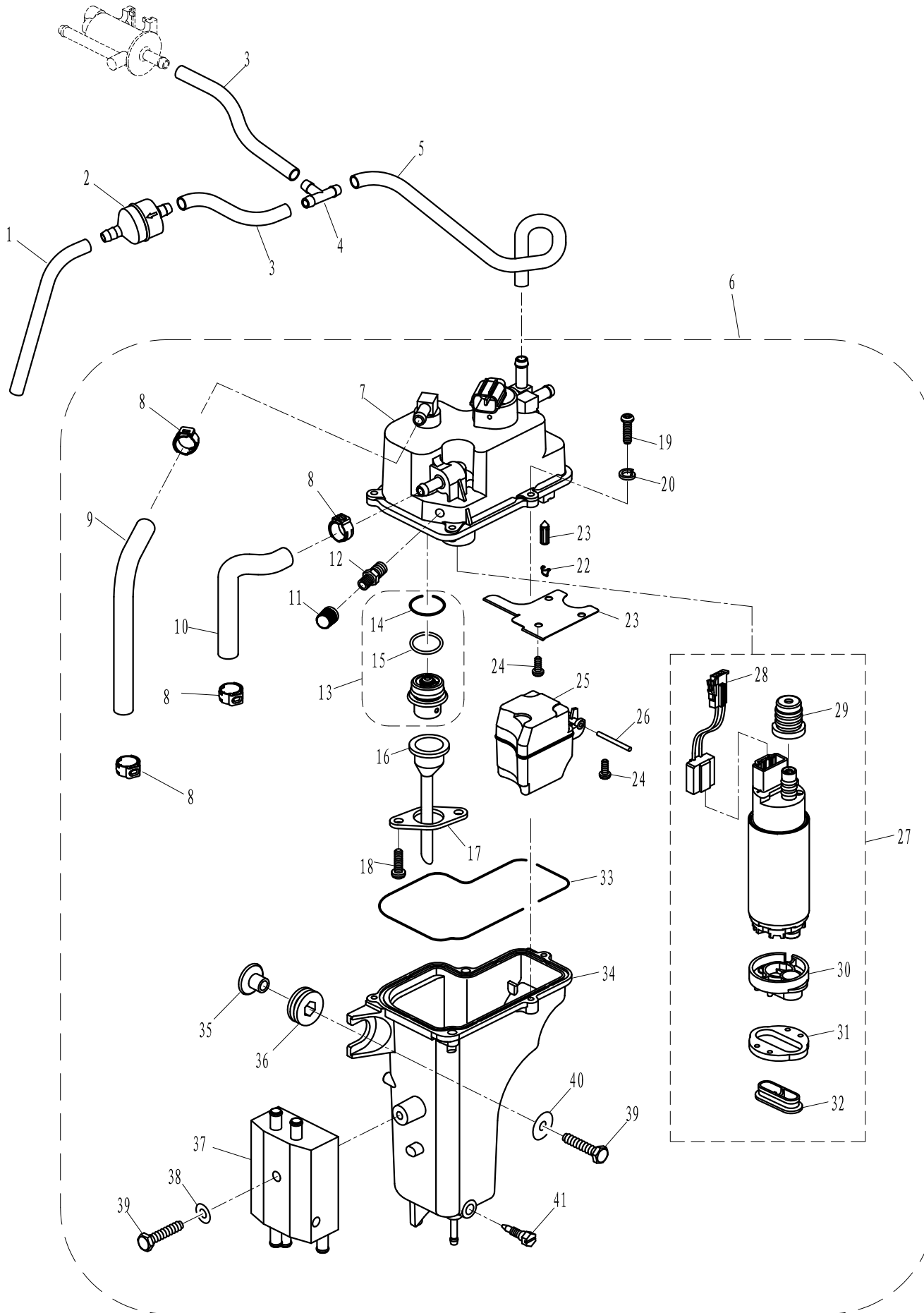
PARTS NAME:

CONTROL BOX ASSY

SN. 参照号码	PART NO. 零件编号	DESCRIPTION 零件名称(中文)	DESCRIPTION 零件名称(英文)	QTY 数量					REMARKS 备注
1	F40-13000000EFI	操纵盒组件	CONTROL BOX ASSY	1					
2	HT2. 5x60	尼龙扎带	CLAMP	2					
3	F40-13000200EFI	起动开关组件	STARTING SWICH ASSY	1					
4	F40-08010100EFI	操纵线索	CONTROL CABLE	1					
5	F15-11000002W	操纵盒安装板	PLATE, CONTROL BOX	1					
6	GB/T819. 2-M5x12	十字槽沉头螺钉 M5x12	SCREW PAN HEAD M5x12	2					
7	F15-13020007W	油门微调手柄	THROTTLE HANDLE, INCHING	1					
8	F15-13000005W	凸轮机构衬套	BUSH, CAM	2					
9	F15-13020006W	微调手柄衬套	BUSH, HANDLE	1					
10	F15-11000001W	钢索橡胶垫块	BLOCK, RUBBER	1					
11	F15-13000014W	线索护套	JACKET, CABLE	1					
12	F4-01090401	引擎停止安全索	STOPER, HANG ROPE ASSY	1					
13	F15-13000400W	急停开关组件	ENGINE STOP SWICH ASSY	1					
14	F15-13000203W	绝缘堵头 B	INSULATED PLUG "B"	2					
15	F15-13000202W	绝缘堵头 A	INSULATED PLUG "A"	1					
16	F15-13020001W	操纵盒盖	COVER , CONTROL BOX	1					
17	F15-13000013W	操纵盒小盖板	SMALL COVER , CONTROL BOX	1					
18	F15-13020005W	波形垫圈 B	WASHER "B" , WAVE	1					
19	F15-13020100W	锁紧圆盘组件	LOCKED DISK ASSY	1					
20	F15-13020002W	扭簧	TORSION SPRING	1					
21	F15-13020003W	互锁滑轮	EACH LOCKED PULLEY	1					
22	F15-13020004W	滑轮弹簧压板	PLATE , PULLEY SPRING	1					
23	GB/T818-M4x6	十字槽盘头螺钉 M4x6	PAN HEAD SCREW M4x6	2					
24	F15-13020000W	操纵盒盖组件	COVER ASSY, CONTROL BOX	1					
25	GB/T5783-M8x30	六角螺栓 M8x30	BOLT M8x30	1					
26	GB/T97. 1-8	平垫圈 8	WASHER 8	1					
27	T20-13000500W	油门控制机构	MACHINE, CONTROL ACCELEROGRAPH	1					
28	F15-13000007W	销轴垫圈	WASHER	1					
29	GB/T896-6	开口挡圈 6	PIN , COTTER 6	3					
30	F25-07000007W	操控钢索接头 B	CONTROL CABLE TIE-IN "B"	2					
31	F15-13000002W	凸轮机构	CAM MECHANISM	1					
32	GB/T818-M3x14	十字槽盘头螺钉M3x14	PAN HEAD SCREW M3X14	2					
33	F15-13000800W	微动开关	INCHING SWITCH	1					
34	F15-13000003W	档位弹簧片压板	PLATE	1					
35	F15-13000004W	档位滑轮	PULLEY	1					
36	F15-13000001W	档位弹簧片 B	SHIFT SPRING PLATE "B"	5					
37	F15-12000016W	标贴 16	MARK 16	1					
38	GB/T6170-M6	六角螺母 M6	NUT M6	3					
39	F15-13000008W	凸轮机构减磨片	WEARABLE PLATE , CAM MACHANISM	1					
40	F15-13000700W	变档摆杆	SHIFT SWING LINK	1					
41	F15-13000601W	调节器固定板组件	ADJUSTER FASTNESS ASSY	1					
42	GB/T5783-M5x25	六角螺栓 M5x25	BOLT M5x25	2					
43	GB/T6170-M5	六角螺母 M5	NUT M5	2					

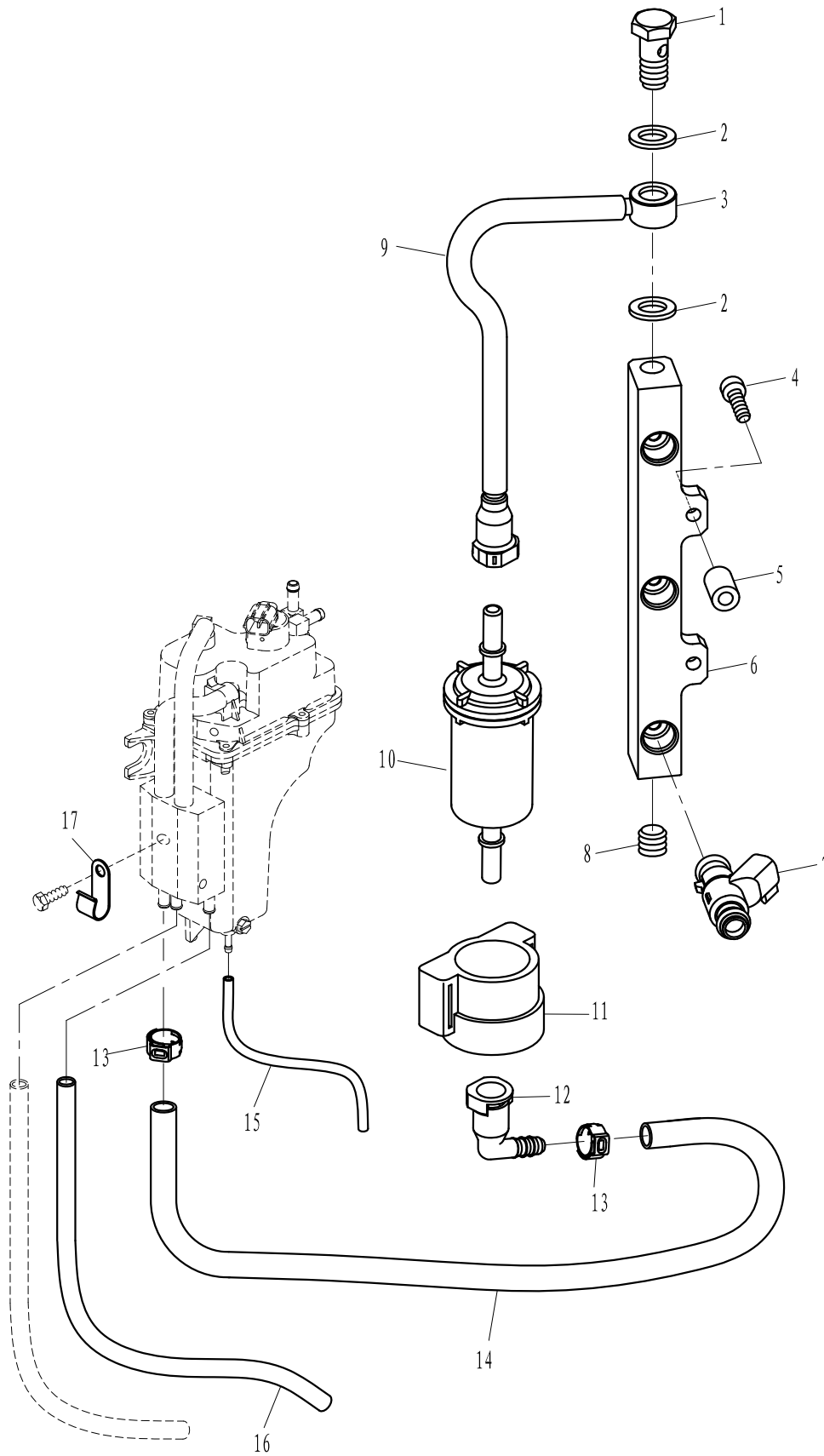
零部件名称: 电动燃油泵组件

PARTS NAME: ELECTRIC OIL PUMP ASSY



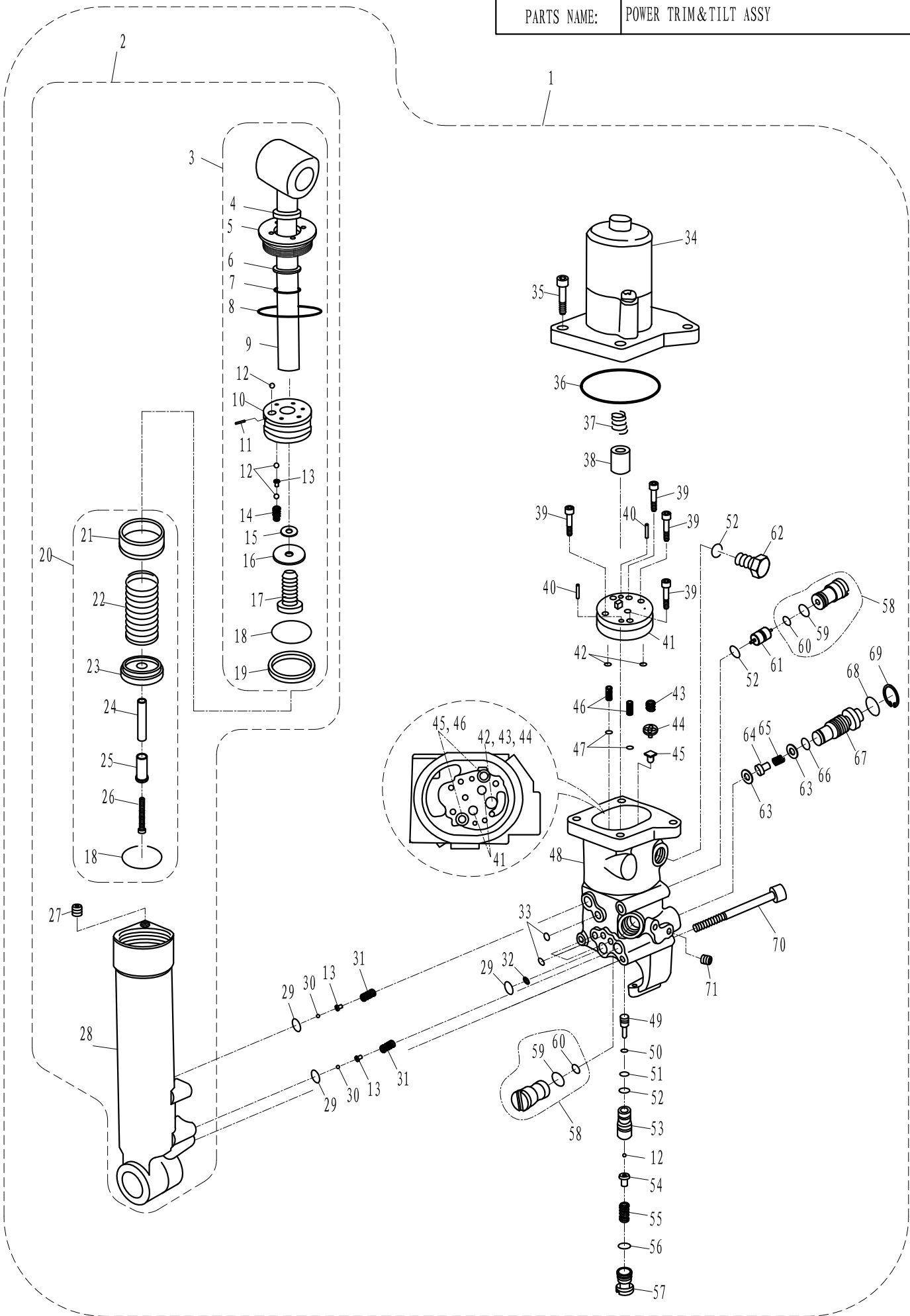
零部件名称: 燃油共轨

PARTS NAME: FUEL COMMON RAIL



零部件名称: 液压起翘系统

PARTS NAME: POWER TRIM & TILT ASSY



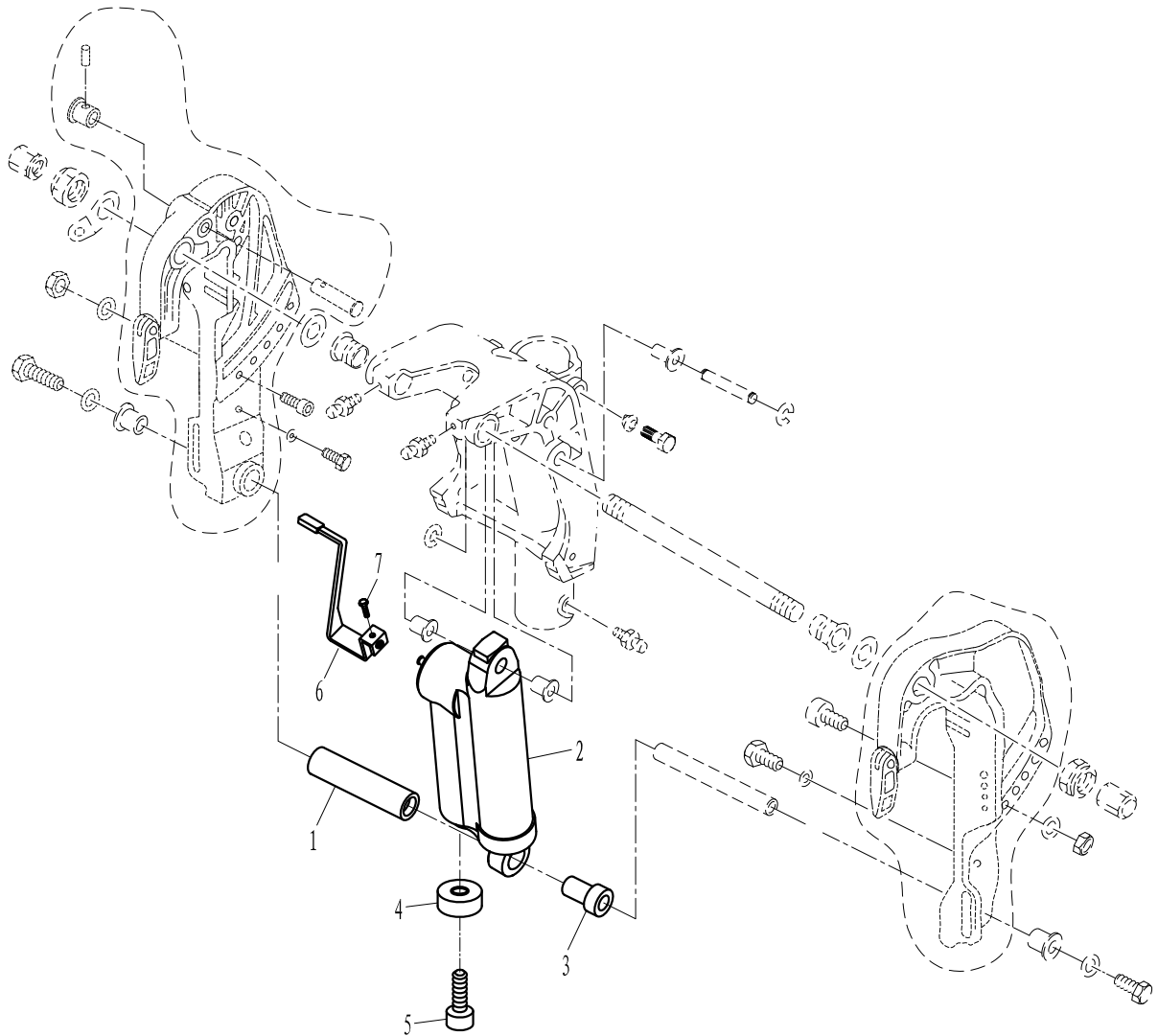
零部件名称: 液压起翘系统

PARTS NAME: POWER TRIM&TILT ASSY

SN. 参照号码	PART NO. 零件编号	DESCRIPTION 零件名称(中文)	DESCRIPTION 零件名称(英文)	QTY 数量				REMARKS 备注
1	T40-10000000	液压起翘组件	HYDRAULIC TILT ASSY	1				
2	T40-10010000	角度定位气缸组件	LOCATING CYLINDER ASSY	1				
3	T40-10030000	角度定位气缸活塞组件	LOCATING CYLINDER&PISTON ASSY	1				
4	T40-10030202	推杆油封15x23x5	OIL SEAL 15x23x5	1				
5	T40-10030200	活塞螺母	PISTON NUT	1				
6	JIS-B-2407-P15T2	O形圈挡圈P15T2	CIRCLIP P15T2	1				
7	JIS-B-2401-P15	推杆O形圈 $\phi 14.8 \times \phi 2.4$	O-RING $\phi 14.8 \times 2.4$	1				
8	JASO-F404-24-045	活塞螺母O形圈 $\phi 44.7 \times \phi 2.4$	O-RING $\phi 44.7 \times 2.4$	1				
9	T40-10030100	角度定位气缸推杆	SHAFT, TILT ASSY	1				
10	T40-10030301	推杆活塞	PISTON	1				
11	GB/T879.4-1.5x12	标准型卷制弹性圆柱销 $\phi 1.5 \times 12$	PIN $\phi 1.5 \times 12$	1				
12	T85-06020202	轴承钢珠4	BALL 4	12				
13	T85-06020005	弹簧座	SEAT, SPRING	7				
14	T40-10030001	推杆活塞压缩弹簧	SPRING	5				
15	T40-10030002	活塞垫片	WASHER	1				
16	T40-10030003	活塞垫圈	WASHER	1				
17	GB/T70.2-M10x1.25x40	内六角平圆头螺钉M10x1.25x40	SCREW M10x1.25x40	1				
18	JIS-B-2401-P39	活塞O形圈 $\phi 38.7 \times \phi 3.5$	O-RING $\phi 38.7 \times 3.5$	2				
19	JIS-B-2407-P39T2	O形圈挡圈P39T2	RING, BACK UP P39T2	1				
20	T40-10010100	自由活塞组件	FREE PISTON SUB ASSY	1				
21	T40-10010101A	自由活塞	FREE PISTON	1				
22	T40-10010102	活塞压缩弹簧	SPRING	1				
23	T40-10010104	活塞密封件	SEAL	1				
24	T40-10010103	螺栓垫管	BUSH, BOLT	1				
25	T40-10010105	活塞垫管	BUSH, PISTON	1				
26	GB/T70.2-M4x35	内六角平圆头螺钉M4x35	SCREW M4x35	1				
27	F15-07010004	堵塞1/8"	BLOCK, CYLINDER 1/8"	1				
28	T40-10000002	角度定位气缸体	POSITIONING CYLINDER	1				
29	JIS-FG-11.2	O形圈 $\phi 10.7 \times \phi 1.5$	O-RING $\phi 10.7 \times \phi 1.5$	3				
30	T40-10000001	轴承钢珠1/8"	BALL 1/8"	2				
31	T85-06020014	活塞压缩弹簧	SPRING, PISTON	2				
32	T85-06010201	过滤器	FILTER	1				
33	JIS-FG-6	O形圈 $\phi 5.5 \times \phi 1.5$	O-RING $\phi 5.5 \times 1.5$	4				
34	T40-10020500	起翘电机	TILT MOTOR	1				
35	GB/T70.1-M6x20	内六角螺钉M6x20	SCREW M6x20	4				
36	GB/T3452.1-48x2	电机O形圈 $\phi 48 \times 2$	O-RING $\phi 48 \times 2$	1				
37	T40-10020004	连接件弹簧	SPRING	1				
38	T40-10020003	电机连接件	LINK, MOTOR	1				
39	GB/T70.1-M4x25	内六角螺钉M4x25	BOLT M4x25	4				
40	T85-06010705	滚针 $\phi 4 \times 21.8$ G2-2-4	ROLLER $\phi 4 \times 21.8$ G2-2-4	2				
41	T40-10020400	齿轮泵组件	GEAR PUMP ASSY	1				
42	JIS-FG-5	O形圈 $\phi 4.5 \times \phi 1.5$	O-RING $\phi 4.5 \times \phi 1.5$	2				
43	T40-10020002	压缩弹簧	SPRING	1				

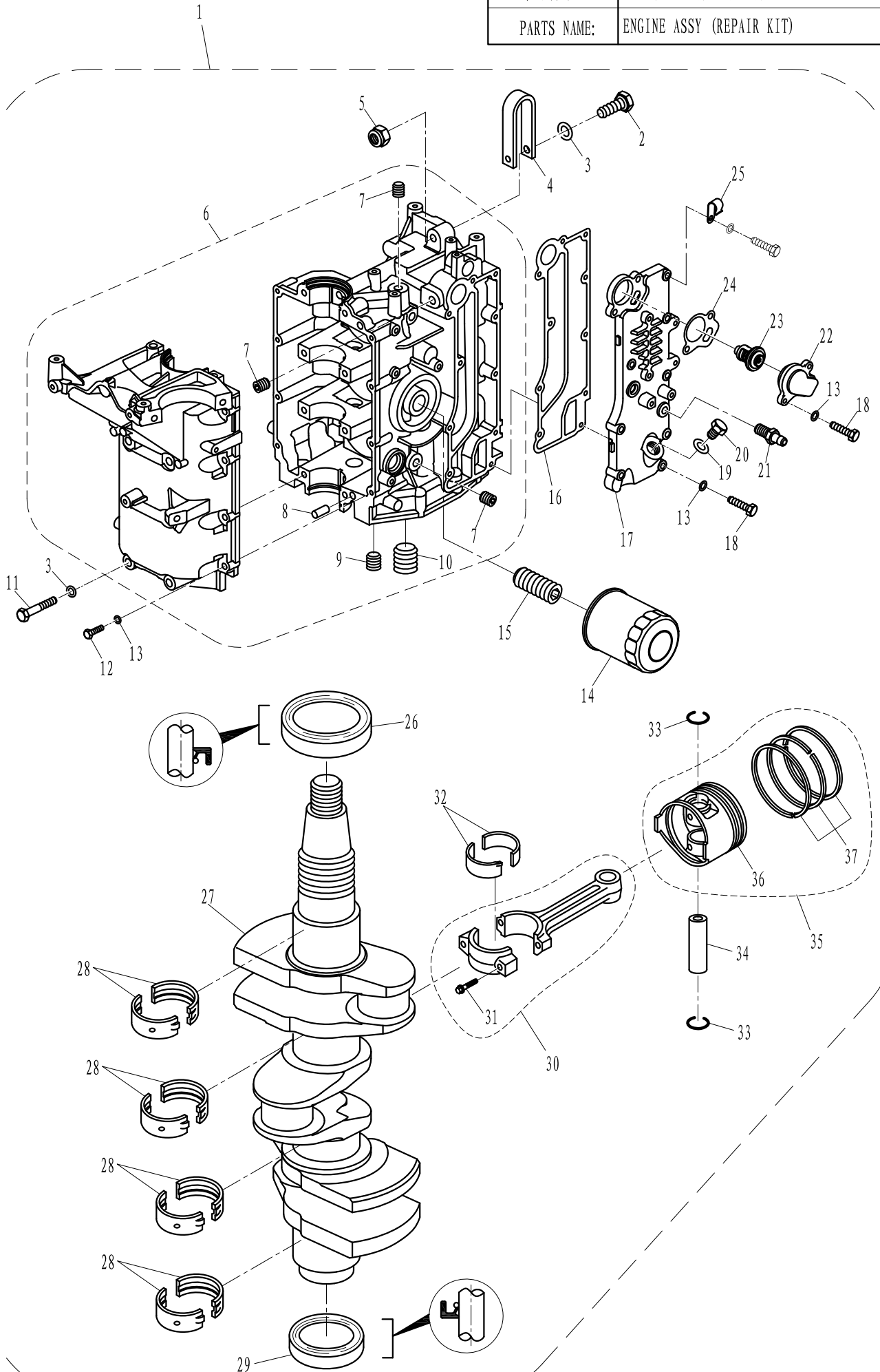
零部件名称: 手动起翘 (手操)

PARTS NAME: MANUAL TILT (MANUAL CONTROL)



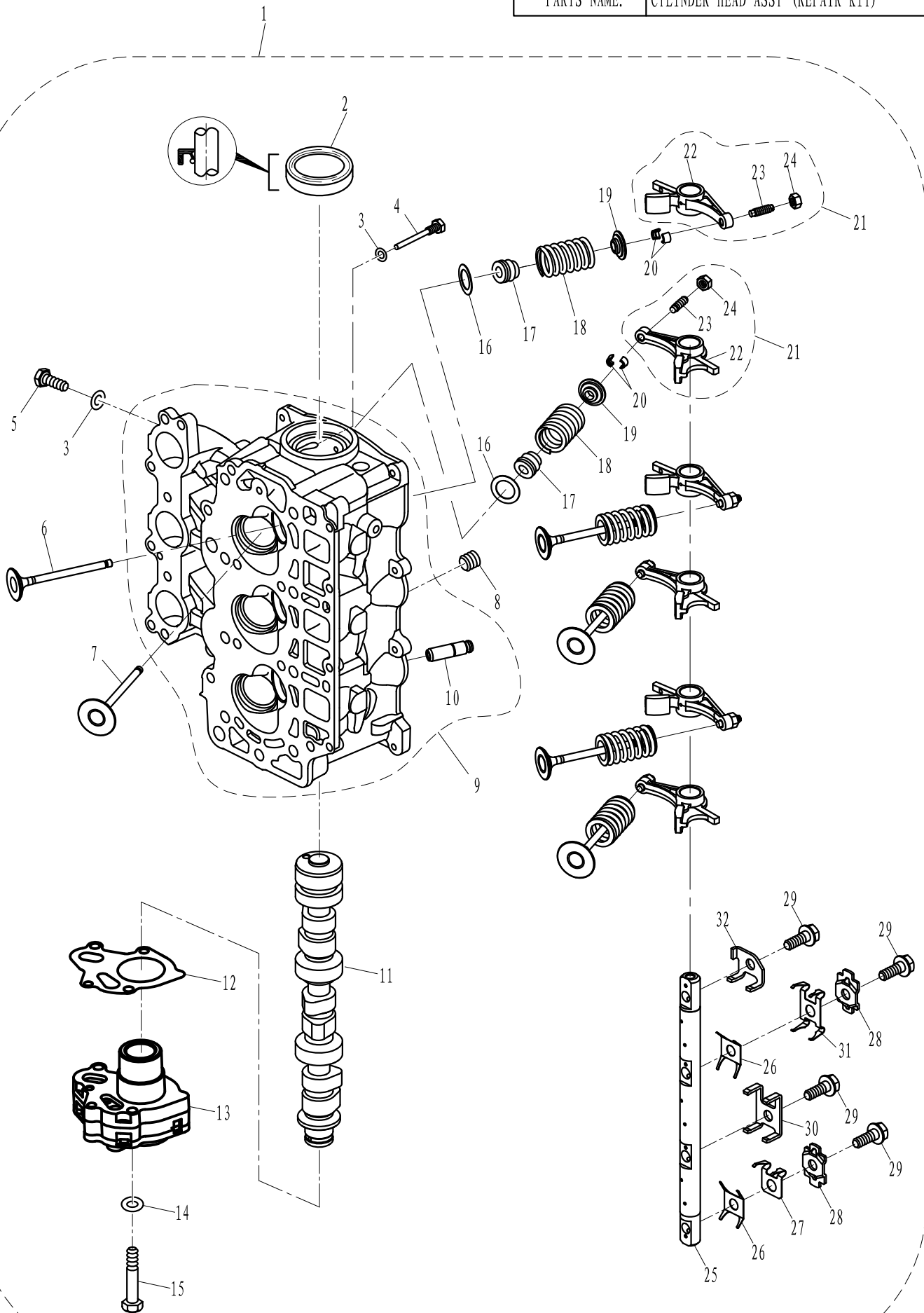
零部件名称: 发动机头组件 (维修件)

PARTS NAME: ENGINE ASSY (REPAIR KIT)



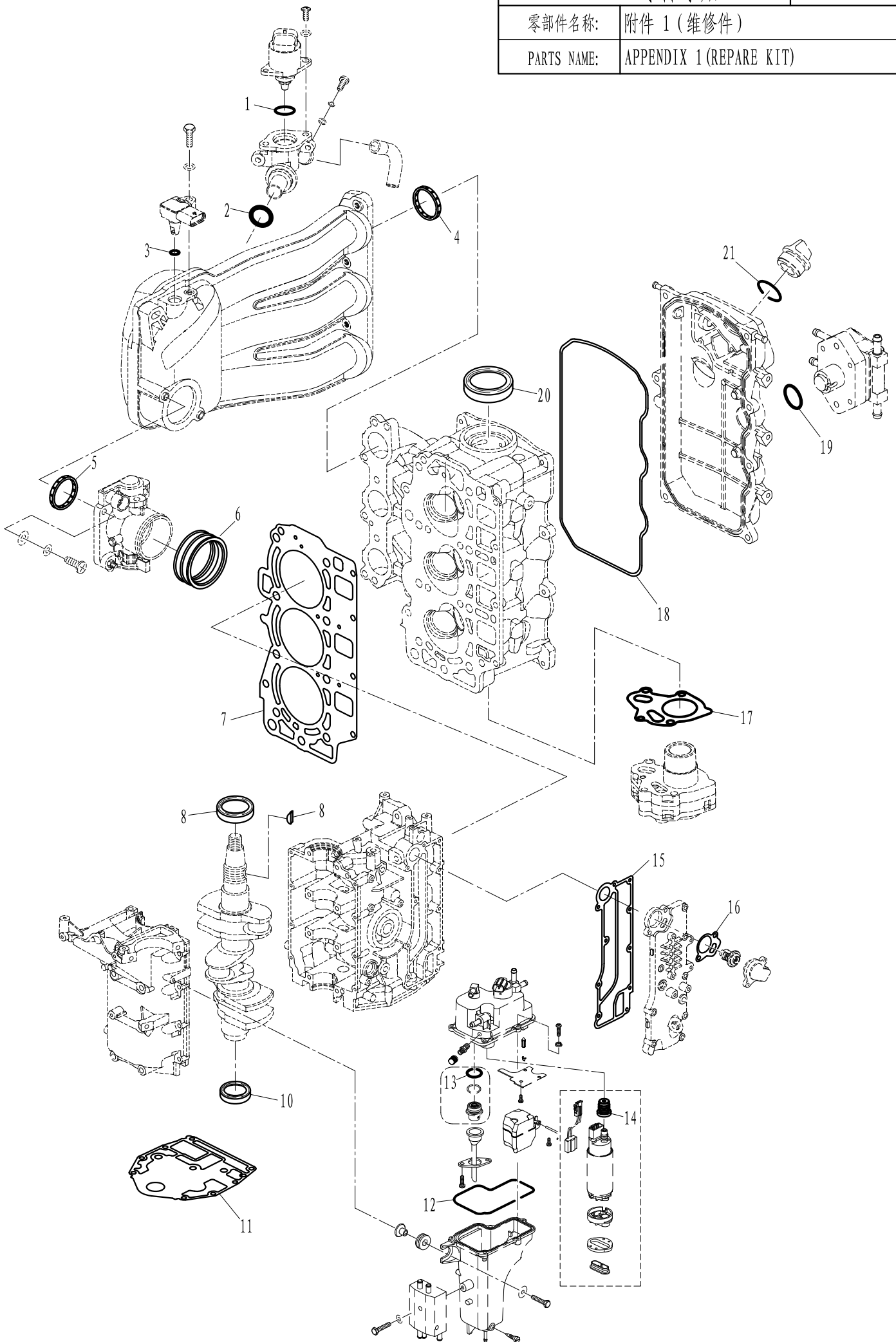
零部件名称: 气缸头总成 (维修件)

PARTS NAME: CYLINDER HEAD ASSY (REPAIR KIT)



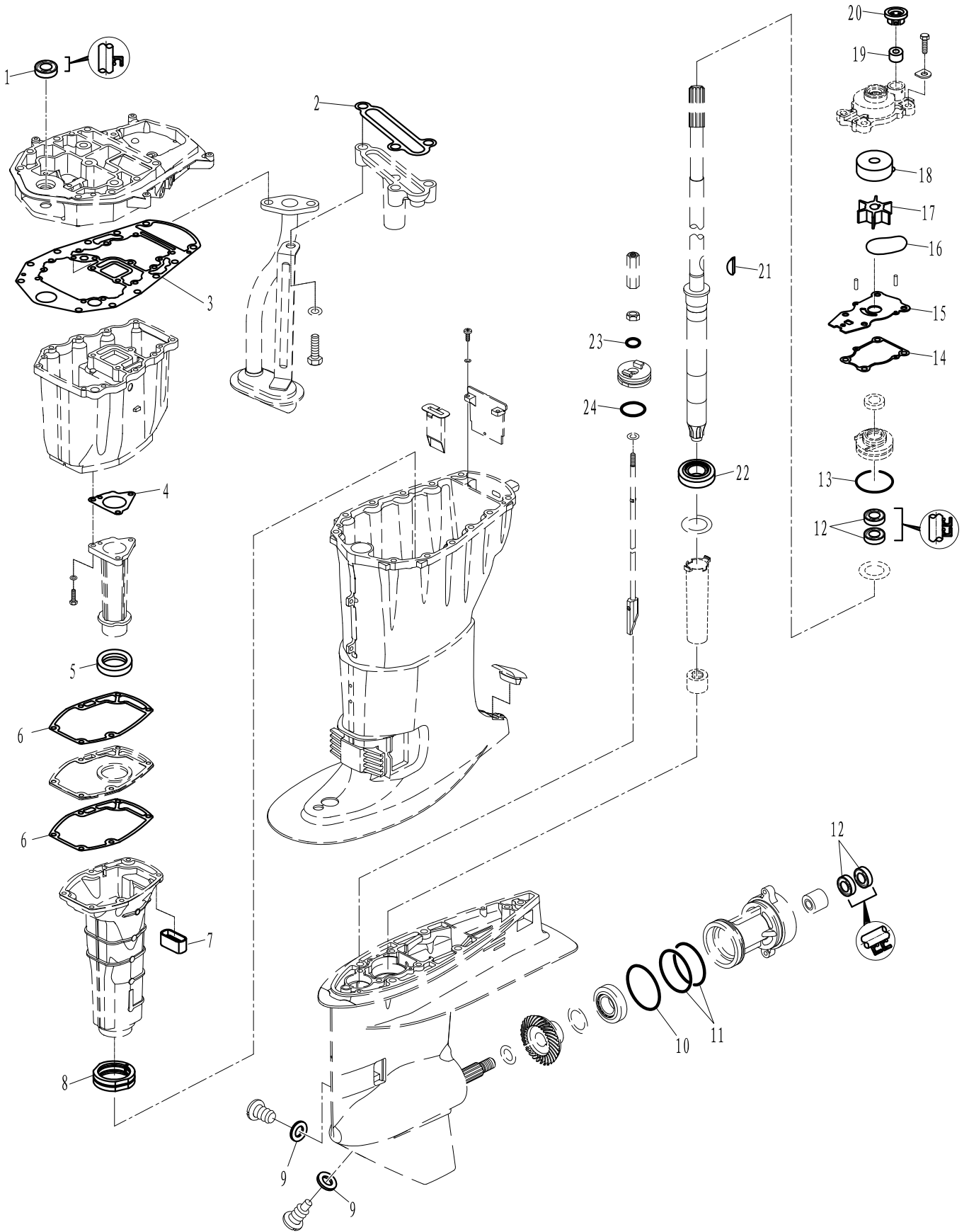
零部件名称: 附件 1 (维修件)

PARTS NAME: APPENDIX 1 (REPAIR KIT)



零部件名称: 附件 2 (维修件)

PARTS NAME: APPENDIX 2 (REPAIR KIT)



零部件名称:

零件目录检索表

PARTS NAME:

PARTS CATALOGUE INDEX

零件代号 PART NO.	页码/序号 PAGE/NO.	零件代号 PART NO.	页码/序号 PAGE/NO.	零件代号 PART NO.	页码/序号 PAGE/NO.
DPR7EA-9	37-21	F4-01090401	11-01	F15-05000023	17-38
HK-2220-JS	24-25		53-12	F15-05000026	17-33
JASO-F404-24-016	22-20	F4-03000023	25-58	F15-05000031	20-20
JASO-F404-24-045	60-08	F4-03000024	25-59	F15-05000032	20-21
JASO-F404-24-050	25-31	F4-04000019	43-05	F15-05000033	17-27
JASO-F404-31-035	25-53	F4-04000030	47-10	F15-05000035	25-49
JASO-F404-35-022	37-02	F4-04090005	47-26	F15-05000036	17-36
JIS-FG-10	61-66	F4-04090011	47-25	F15-05000300BW	20-26
JIS FG11. 2	60-29	F4-05000200	17-06	F15-05040002	20-15
JIS-FG-12	61-60	F8-00000005	29-10	F15-05040100	20-18
JIS-FG-4	61-47	F8-05000007	33-24	F15-06020004	25-51
JIS-FG-5	60-42	F8-05000021	33-17	F15-07000021	33-23
JIS-FG-6	60-33	F8-05000022	37-22	F15-07000030	41-11
JIS-B-2401-P11	61-56			F15-07000031	41-23
JIS-B-2401-P12. 5	61-59			F15-07010003	41-15
JIS-B-2401-P15	60-07			F15-07010004	15-09
JIS-B-2401-P3	61-50				41-06
JIS-B-2401-P39	60-18				58-08
JIS-B-2401-P8	61-51	F15-00000006	13-28		60-27
JIS-B-2401-P9	61-52		15-10	F15-07010005	13-06
JIS-B-2407-P15T2	60-06		27-12		37-14
JIS-B-2407-P39T2	60-19	F15-00000012	06-13	F15-07010009	13-08
S7133-13. 3	51-11		20-22	F15-07010011	13-09
S7133-13. 3	56-08		22-06	F15-07010012	13-12
S7133-13. 3	58-13	F15-01000007	06-22	F15-07010021	41-22
32005-JR-KOYO	25-45	F15-01000008	06-20	F15-07010022	41-24
6007-P5C4	24-21	F15-01000009	06-21	F15-07040006	45-05
		F15-01000011	06-05	F15-07040007	45-06
		F15-01000012	06-19	F15-07040104	37-20
		F15-01000013	06-04	F15-07040303	45-09
		F15-01000015	17-02	F15-07040304	45-10
		F15-01010001	02-27	F15-07050004	37-01
166F-010003	45-03	F15-01010007	02-07	F15-07080001	47-06
E4-07020015W	54-65	F15-01030001	06-24	F15-07110003	43-20
E4-10040100W	11-11	F15-01030003	06-23	F15-07130314W	20-04
E4-10040100W	54-55	F15-01030005	06-38	F15-07150001W	31-04
E10-01010001	02-23	F15-01030100	06-36	F15-07150300W	31-09
E10-01010003	02-22	F15-01030200	06-26	F15-07150301W	31-08
E10-01010005	02-13	F15-04000002	13-39		58-11
E10-01010006	02-30		15-14	F15-09000000	51-01
E10-01010007	02-12	F15-04000003	13-38	F15-09000001	51-12
E10-01010008	02-32		15-13	F15-09000002	51-14
E10-01010009	02-33	F15-04000005	13-03	F15-09010000	51-15
F4-01090003	06-34	F15-05000003	17-25	F15-09020000	51-10
F4-01090004	06-35	F15-05000006	17-03	F15-09030000	51-13
F4-01090006	06-27	F15-05000008	17-13	F15-10000000	51-02
F4-01090006	08-33	F15-05000009	17-40	F15-10000001	51-09
F4-01090007	06-28	F15-05000011	56-04	F15-10000002	51-08
F4-01090007	08-32	F15-05000017	17-08	F15-10000003	51-07
F4-01090401	06-32	F15-05000022	17-37	F15-10010000	51-03

零部件名称:

零件目录检索表

PARTS NAME:

PARTS CATALOGUE INDEX

零件代号 PART NO.	页码/序号 PAGE/NO.	零件代号 PART NO.	页码/序号 PAGE/NO.	零件代号 PART NO.	页码/序号 PAGE/NO.
F15-1002000	51-06	F20-03000100EFI	17-24	F25-03000007	17-31
F15-11000001W	53-10	F20-03000101	17-23	F25-03000019	17-32
F15-11000002W	53-05	F25-00000001	04-17	F25-03000021W	41-32
F15-11010000W	22-03	F25-00000002	04-18	F25-03000023W	17-15
F15-12000013W	54-50	F25-00000003	04-19	F25-03000027W	22-09
F15-12000016W	53-37	F25-00000004	17-29	F25-03000028W	22-10
F15-13000001W	53-36	F25-00000005	04-16	F25-03000029W	18-49
F15-13000002W	53-31	F25-00000006	04-24	F25-03000100W	17-17
F15-13000003W	53-34	F25-00000007	04-23	F25-03000101W	17-18
F15-13000004W	53-35	F25-00000014	13-02	F25-03000102W	17-19
F15-13000005W	53-08		37-23	F25-03000103W	17-20
F15-13000006W	54-47		41-07	F25-03000104W	17-21
F15-13000007W	53-28	F25-01000001A	04-11	F25-03020000	17-35
F15-13000008W	53-39	F25-01000002	04-12	F25-03030003W	22-14
F15-13000011W	54-48	F25-01000003	04-10	F25-03030004W	22-12
F15-13000012W	54-49	F25-01000004L	04-13	F25-03030005W	20-29
F15-13000013W	53-17	F25-01000004S		F25-04000007	25-36
F15-13000014W	53-11	F25-01000005L	04-14	F25-04000015	25-44
F15-13000015W	54-51	F25-01000005S		F25-04000031	25-60
F15-13000202W	53-15	F25-01000006L	04-15	F25-04010003	24-26
F15-13000203W	53-14	F25-01000006S		F25-04040000	25-38
F15-13000300W	54-44	F25-01000007W	22-18	F25-05000002	37-18
F15-13000400W	53-13	F25-01010002	02-20	F25-05000003	37-17
F15-13000601W	53-41	F25-01010003	02-19	F25-05000021	43-02
F15-13000602W	54-45	F25-01010004	02-08	F25-05000023	43-03
F15-13000700W	53-40	F25-01010011	02-06	F25-05000024	29-11
F15-13000800W	20-25	F25-01010012W	22-21	F25-05000025	29-05
	53-33	F25-01010301A-L	02-21	F25-05000026	29-04
F15-13010001W	54-56	F25-01010302	02-25	F25-05000035	41-10
F15-13010002W	54-57	F25-01010303	02-26	F25-05000100	41-14
F15-13010004W	54-62	F25-01010324	02-29	F25-05010103	41-09
F15-13010005W	54-61	F25-01020001L	04-06	F25-05010104	41-08
F15-13010008W	54-63	F25-01020002	04-07	F25-05010113	41-21
F15-13010009W	54-60	F25-01030001	06-16	F25-05010302-1	39-03
F15-13010010W	54-52	F25-02000002	04-21	F25-05010302-2	
F15-13020000W	53-24	F25-02000003	13-27	F25-05020002	39-04
F15-13020001W	53-16	F25-02000011	13-15	F25-05020003	39-01
F15-13020002W	53-20	F25-02000015	04-02	F25-05020102	39-12
F15-13020003W	53-21	F25-02000016	04-01	F25-05020105	39-09
F15-13020004W	53-22	F25-02000019	27-01	F25-05020106	39-08
F15-13020005W	53-18	F25-02010002	13-01	F25-05020200	39-05
F15-13020006W	53-09	F25-02010003	13-04	F25-05020203-1	39-07
F15-13020007W	53-07	F25-02010003	37-06	F25-05020203-2	
F15-13020100W	53-19	F25-02010005	13-07	F25-05020204	39-06
		F25-02010006	15-07	F25-05050001	45-11
		F25-02010007	15-02	F25-05050002	45-01
		F25-02030000	04-03	F25-05050003	45-02
		F25-03000002	17-42	F25-05050005	45-04
		F25-03000003	17-04	F25-05050006	37-16
		F25-03000006	17-30	F25-05050007	37-15

零部件名称:

零件目录检索表

PARTS NAME:

PARTS CATALOGUE INDEX

零件代号 PART NO.	页码/序号 PAGE/NO.	零件代号 PART NO.	页码/序号 PAGE/NO.	零件代号 PART NO.	页码/序号 PAGE/NO.
F25-05050009	45-19	F40-00000005D	63-03	F40-03000012	17-26
F25-05050011	45-18	F40-00000006D	63-04	F40-03000013EFI	31-30
F25-05050012	45-15	F40-00000007D	02-31	F40-03000014W	18-50
F25-05050016	43-10	F40-00000100	17-43	F40-03000016	41-28
F25-05050018	43-08	F40-00000200D	63-02	F40-03000100	17-39
F25-05050019	45-16	F40-00000201D	63-06	F40-03000400EFI	18-47
F25-05050021	37-13	F40-01000004	04-08	F40-03000500EFI	31-25
F25-05050300	45-07	F40-01010101A-S	02-21	F40-03000600W	18-45
F25-05050301	45-08	F40-01020001S	04-06	F40-04000000L	24-01
F25-05090004	56-36	F40-01020002	04-07	F40-04000000S	
F25-05090005	56-35	F40-01020003EFI	06-31	F40-04010000L	25-43
F25-05090100W	31-05	F40-01030100EFI	06-39	F40-04010000S	
F25-05130001	47-20	F40-01030101	06-01	F40-04020000	25-55
F25-05130002	47-22	F40-01030102EFI	06-30	F40-05000001	39-02
F25-05130003	47-19	F40-01030200A	09-55	F40-05000002	37-09
F25-05130004	47-18	F40-01030300A	09-57	F40-05000003	33-20
F25-05130005	47-28	F40-02000001L	13-33	F40-05000003	41-25
F25-05130006A	47-29	F40-02000001S		F40-05000004	41-16
F25-05130007	47-30	F40-02000003	13-36	F40-05000005EFI	41-17
F25-05130008	47-23	F40-02000004	13-26	F40-05000007	43-01
F25-05130100	47-24	F40-02000005L	27-02	F40-05000008	43-04
F25-05160002	09-58	F40-02000005S		F40-05000009-1EFI-C	33-27
	22-11	F40-02000007	13-24	F40-05000009-2EFI	33-25
F25-05170001W	31-21	F40-02000008	13-22	F40-05000011	41-03
F25-05170002W	31-22	F40-02010001	13-05	F40-05000015	20-12
F25-05170201W	31-12	F40-02010002	15-11	F40-05000015W	22-13
F25-05170202W	31-14	F40-02010003	15-12	F40-05000016EFI	20-09
F25-05170401W	31-18	F40-02010004	15-15	F40-05000016W	22-01
F25-06000004	49-08	F40-02010005	13-16	F40-05000017W	22-02
F25-06000005	49-11	F40-02010006	13-18	F40-05000019	47-13
F25-06000006	49-06	F40-02010007	13-19	F40-05000019EFI	58-14
F25-06000100	49-10	F40-02010008	13-20	F40-05000021EFI	47-12
F25-07000003W	22-04	F40-02010009L	13-21	F40-05000022	41-26
F25-07000006W	22-16	F40-02010009S		F40-05000026EFI	35-14
F25-07000007W	53-30	F40-02010010	15-08	F40-05000032	15-01
F25-07000300W	22-26	F40-02010100	15-05	F40-05000033	20-10
F25-07000301W	22-22	F40-03000001EFI	17-01	F40-05000034	29-09
F25-07000302W	22-25	F40-03000002	41-30	F40-05000036	47-04
F25-07000303W	22-24	F40-03000003	41-31	F40-05000037	41-20
F25-07000304W	22-23	F40-03000004	41-29	F40-05000038	41-19
		F40-03000005EFI	47-11	F40-05000039EFI	20-03
		F40-03000006	17-11	F40-05000041EFI	58-12
		F40-03000007L	20-23	F40-05000042EFI	33-22
		F40-03000007S		F40-05000044EFI	58-05
		F40-03000008	18-46	F40-05000045EFI	58-03
		F40-03000009	17-05	F40-05000046EFI	58-01
F40-00000001	06-12	F40-03000009BW	18-48	F40-05000048EFI	35-29
F40-00000002	13-31	F40-03000009W		F40-05000049EFI-A	33-30
F40-00000003	41-13	F40-03000010	20-16	F40-05000050EFI	35-28
F40-00000004D	63-01	F40-03000011	17-41	F40-05000051EFI	56-05

零部件名称:

零件目录检索表

PARTS NAME:

PARTS CATALOGUE INDEX

零件代号 PART NO.	页码/序号 PAGE/NO.	零件代号 PART NO.	页码/序号 PAGE/NO.	零件代号 PART NO.	页码/序号 PAGE/NO.
F40-05000052EFI	58-16	F40-05070004	37-07	F40-05100703EFI	56-41
F40-05000055EFI	31-06	F40-05090100EFI	33-32	F40-05100704EFI	56-33
F40-05000059EFI	33-15	F40-05090100EFI-B		F40-05100800EFI	56-37
F40-05000060EFI	33-06	F40-05090101EFI-B	33-35	F40-06000000A	49-01
F40-05000063EFI	33-10	F40-05090200EFI	33-16	F40-06000001A	49-04
F40-05000064EFI	35-26	F40-05090300EFI	58-07	F40-06000002	49-07
F40-05000065EFI	33-28	F40-05090400EFI	35-18	F40-06000003A	49-02
F40-05000069EFI	56-01	F40-05090401EFI	35-22	F40-06000007	49-16
F40-05000070EFI	56-03	F40-05090403EFI	35-17	F40-06000008A	49-12
F40-05000073B	58-09	F40-05090408EFI	35-25	F40-08000001	49-15
F40-05000500EFI	31-01	F40-05090501EFI	35-07	F40-08000002	49-03
F40-05000600EFI	29-08	F40-05090502EFI	35-08	F40-08000003	49-17
F40-05000700EFI	29-06	F40-05090503-1EFI	35-06	F40-08000004	49-05
F40-05000800	31-23	F40-05090503EFI	35-05	F40-08010100EFI	53-04
F40-05000900EFI	20-05	F40-05090600EFI	35-03	F40-13000000EFI	53-01
F40-05000901EFI	20-06	F40-05090601EFI	35-04	F40-13000200EFI	53-03
F40-05001000-1EFI	33-34	F40-05090700EFI	33-21	F60-05000041A	29-01
F40-05001000-2EFI		F40-05090800EFI	35-16	F60-05000047	41-27
F40-05001000-3EFI		F40-05090803EFI	35-15		
F40-05001000-4EFI		F40-05091100EFI	58-10		
F40-05001000EFI	33-33	F40-05091200EFI	58-06		
F40-05001000EFI-B		F40-05091400EFI	33-07		
F40-05001200EFI	31-27	F40-05091401EFI	33-03		
F40-05010000	41-05	F40-05091402EFI	33-04	F115-01030000	09-65
F40-05020100	39-10	F40-05091500EFI	33-31	F115-01030001	08-16
F40-05020101	39-11	F40-05091600EFI	33-13	F115-01030002	11-04
F40-05030000	37-24	F40-05100000EFI	56-06	F115-01030003	08-38
F40-05030005	31-17	F40-05100001EFI	56-25		11-07
F40-05040001	45-12	F40-05100002EFI	56-26	F115-01030005	08-18
F40-05040002	45-13	F40-05100003EFI	56-23	F115-01030006	08-37
F40-05040003	45-17	F40-05100004EFI	56-10	F115-01030007	08-34
F40-05040004	45-14	F40-05100010EFI	56-09	F115-01030008	08-36
F40-05040006	43-09	F40-05100100EFI	56-07	F115-01030009	08-35
F40-05040100EFI	37-19	F40-05100201EFI	56-12	F115-01030010	08-39
F40-05040201	43-11	F40-05100202EFI	56-11	F115-01030011	08-11
F40-05040400	43-13	F40-05100301EFI	56-21	F115-01030012	09-56
F40-05040401	43-14	F40-05100302EFI	56-22	F115-01030013	08-04
F40-05040402	43-19	F40-05100500EFI	56-27	F115-01030014	08-02
F40-05040403	43-18	F40-05100501EFI	56-29		08-23
F40-05040404	43-16	F40-05100502EFI	56-32	F115-01030015	08-25
F40-05040405	43-15	F40-05100503EFI	56-31	F115-01030016	08-24
F40-05040406	43-22	F40-05100504EFI	56-30	F115-01030017	08-19
F40-05040407	43-12	F40-05100505EFI	56-28	F115-01030018	08-20
F40-05040408	43-21	F40-05100511EFI-A	58-15	F115-01030023	08-27
F40-05050000	47-17	F40-05100600-1EFI	56-15	F115-01030024	09-61
F40-05050200	47-27	F40-05100600EFI	56-13	F115-01030100	11-03
F40-05070000	37-03	F40-05100601EFI	56-14	F115-01030200	11-02
F40-05070001	37-04	F40-05100602EFI	56-16	F115-01030300	11-05
F40-05070002	37-05	F40-05100603EFI	56-17	F115-01030400	09-52
F40-05070003	37-08	F40-05100701EFI	56-34	F115-01030407	09-59

零部件名称:

零件目录检索表

PARTS NAME:

PARTS CATALOGUE INDEX

零件代号 PART NO.	页码/序号 PAGE/NO.	零件代号 PART NO.	页码/序号 PAGE/NO.	零件代号 PART NO.	页码/序号 PAGE/NO.
F115-01030408	09-60	T40-02010005	27-03	T40-04050007	24-17
F115-01030500	11-09	T40-04000001	24-02	T40-04060000	24-20
F115-01030600	09-53	T40-04000002	25-47	T40-04060001	24-24
F115-01030700A	08-41	T40-04000003-1	25-46	T40-04060002	24-22
F115-01030701A	08-42	T40-04000003-2		T40-04060003	24-23
F115-01030703	09-46	T40-04000003-3		T40-04060005-1	24-19
F115-01030704	09-44	T40-04000003-4		T40-04060005-2	
F115-01030705	08-13	T40-04000003-5		T40-04060005-3	
F115-01030706	08-31	T40-04000003-6		T40-04060005-4	
F115-01030708	08-30	T40-04000003-7		T40-04060005-5	
F115-01030709	08-28	T40-04000004-1	24-07	T40-04060005-6	
F115-01030710	08-29	T40-04000004-2		T40-04060005-7	
F115-01030711A	09-47	T40-04000004-3		T40-04060006	24-18
F115-01030800	08-15	T40-04000004-4		T40-04070000-11	
F115-01030900	09-64	T40-04000004-5		T40-04070000-12	
F115-01030901	08-09	T40-04000004-6		T40-04070000-13	27-20
F115-01030902	08-08	T40-04000004-7		T40-05000028	33-05
F115-01031301	09-63	T40-04000005	24-04	T40-10000000	60-01
F115-01031304	09-62	T40-04000006	24-03	T40-10000001	60-30
F115-01031500	08-03	T40-04000007	25-52	T40-10000002	60-28
		T40-04000008	24-29	T40-10010000	60-02
		T40-04000009	25-33	T40-10010100	60-20
		T40-04000010	25-34	T40-10010101A	60-21
		T40-04000011	25-35	T40-10010102	60-22
		T40-04000012	25-41	T40-10010103	60-24
T5-04000200	56-02	T40-04000013	27-08	T40-10010104	60-23
T20-06050302	20-08	T40-04000014	27-07	T40-10010105	60-25
T20-13000500W	53-27	T40-04000018	27-19	T40-10020001	61-48
T36-01030202	09-48	T40-04000019	27-21	T40-10020002	60-43
T36-04000023	02-18	T40-04000020	27-22	T40-10020003	60-38
	18-51	T40-04000021	27-23	T40-10020004	60-37
	58-17	T40-04000022	24-06	T40-10020005	61-46
T40-00000002	06-11	T40-04000023	25-57	T40-10020201	61-64
T40-00000003	06-14	T40-04000024	24-08	T40-10020202	61-65
T40-00000004	06-10	T40-04000026	25-48	T40-10020301	61-49
T40-00000005	06-09	T40-04000201	25-40	T40-10020302	61-53
T40-00000006	06-08	T40-04000202	25-39	T40-10020303	61-54
T40-00000008	27-14	T40-04000203	27-06	T40-10020304	61-55
	43-06	T40-04000204	27-05	T40-10020305	61-57
T40-00000009	27-18	T40-04000205	25-37	T40-10020400	60-41
T40-00000010	27-17	T40-04020000	24-09	T40-10020500	60-34
T40-01010001-A	02-28	T40-04040000	24-30	T40-10030000	60-03
T40-01010002-A	02-04	T40-04040001	25-32	T40-10030001	60-14
T40-01010100-A	02-01	T40-04050000	24-10	T40-10030002	60-15
T40-01010101A	02-05	T40-04050001	24-16	T40-10030003	60-16
T40-01010102	02-03	T40-04050002A	24-12	T40-10030100	60-09
T40-01020001	06-15	T40-04050003	24-13	T40-10030200	60-05
T40-02000002	27-04	T40-04050004	24-14	T40-10030202	60-04
T40-02000003	13-35	T40-04050005	24-15	T40-10030301	60-10
T40-02000004	13-34	T40-04050006	24-11		

零部件名称:

零件目录检索表

PARTS NAME:

PARTS CATALOGUE INDEX

零件代号 PART NO.	页码/序号 PAGE/NO.	零件代号 PART NO.	页码/序号 PAGE/NO.	零件代号 PART NO.	页码/序号 PAGE/NO.
T85-05000022	31-13				
T85-05000023	31-26				
T85-05000300	47-05				
T85-05000301	47-09				
T85-05000302	47-07				
T85-05030002	31-15				
T85-05030200	31-29				
T85-05040004	29-14				
T85-06010002	61-71				
T85-06010009	61-62				
T85-06010201	60-32				
T85-06010205	61-44				
T85-06010207	61-45				
T85-06010501	61-61				
T85-06010503	61-58				
T85-06010601	61-63				
T85-06010606	61-67				
T85-06010705	60-40				
T85-06020005	60-13				
T85-06020014	60-31				
T85-06020202	60-12				