

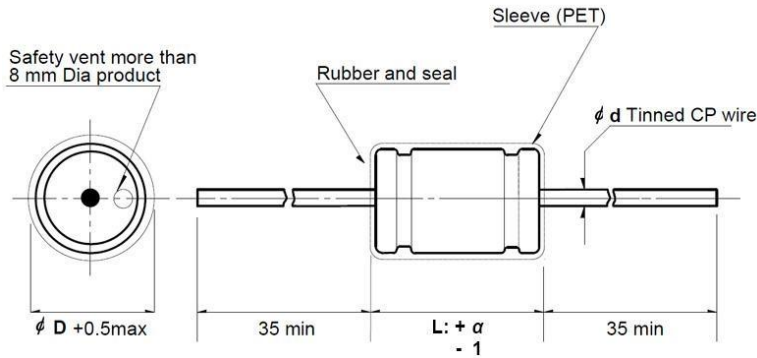
FEATURES

- Low Dissipation Factor, MAX 5% at 120Hz
- Specially produced for Cross-Over Networks with high fidelity audio system
- High-quality crossover non-polar aluminum electrolytic capacitors
- Product mainly used: audio converters and dividers (partials), Audio amp, automotive electronics products, speaker.

Note 1: Other Dissipation Factor 3%, 4%, 6%, 7%, 8%, 9%, 10%, 12% are available on request.

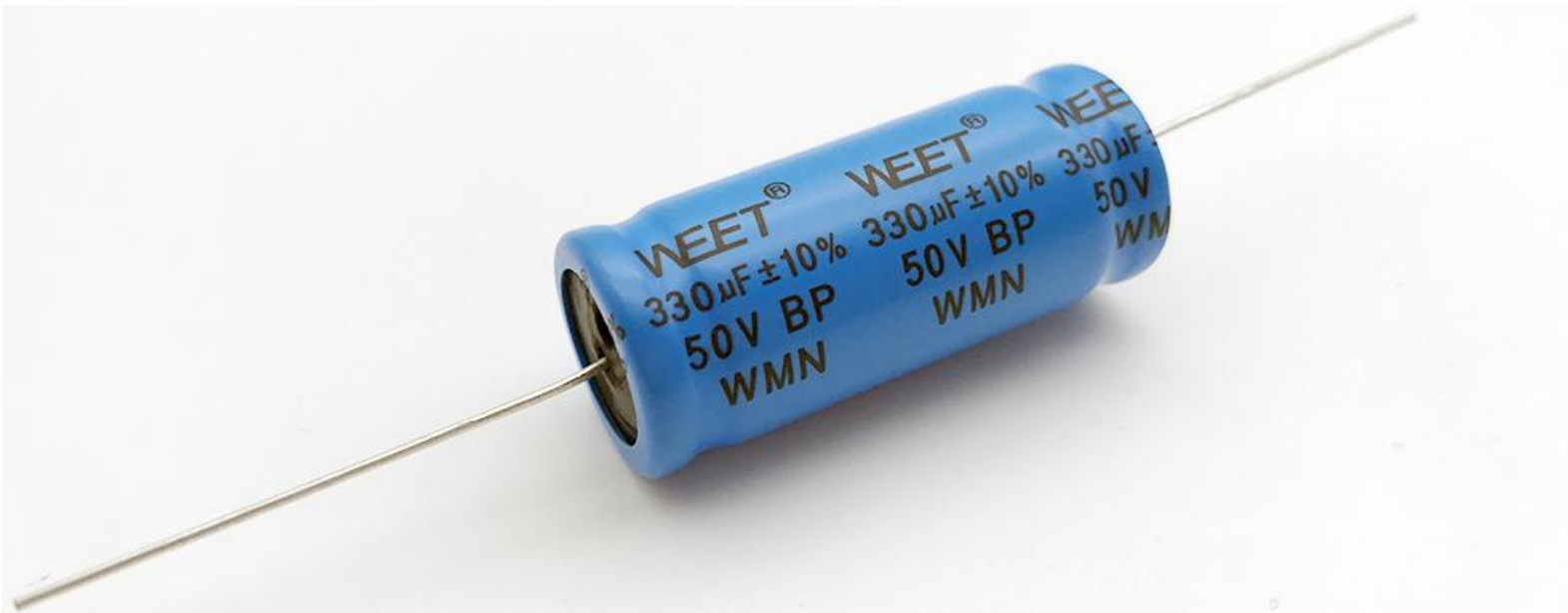
Note 2: The sleeve (PET) color of the product differs from batch to batch, so there will be slight color difference. Thank you.

DRAWING (mm)



φ D	6	8	10	13	16	18	22	25
φ d	0.6	0.6	0.6	0.6	0.8	0.8	0.8	0.8
α	0.8	0.8	1.5	2.0	2.0	2.0	2.0	2.0

PICTURE



SPECIFICATIONS

Operating Temperature Range (°C): -40°C ~ +105°C
 Capacitance Tolerance : ±10% (K) at 120HZ
 Voltage Range: 50V, 100V.DC
 Leakage Current: MAX. 0.03CV + 3µA After 5 minutes application of rated working voltage
 Load Life: After 1,000 hours application of rated voltage at 105 ±2°C, capacitors meet the characteristics requirement listed at right.
 (a) Capacitance change: Within ±25% of initial
 (b) Tan δ:200% or less of initial specified
 (c) Leakage current : Install specified value or less

MAX Dissipation Factor: MAX 5% at 120Hz

SIZE TABLE (mm) : Diameter (DØ) x Length (L) m/m

V.DC	50 V	100 V	V.DC	50 V	100 V
µf	D x L	D x L	µf	D x L	D x L
47	10x19	13x27	350	16x38	18x44
68	13x27	13x32	400	16x42	22x44
82	13x27	13x32	500	16x42	22x44
100	13x27	16x34	600	16x42	25x52
150	13x32	16x34	700	18x44	25x52
220	13x32	16x42	800	18x44	25x52
250	13x32	16x42	900	18x44	25x52
300	16x34	18x44	1000	22x44	25x52
330	16x34	18x44	--	--	--

Note: Other Values are available on request. WEET is capable of doing custom service for you.



WEE Technology Company Limited
 ROOM 1405, 14/F, LUCKY CENTRE,
 171 WANCHAI ROAD,
 WANCHAI, HONG KONG
www.musicaps.com
sales@musicaps.com

All details in this data sheet are subject to change without notice.
 For more details and updates, please visit our website.

Copyright © 2000 WEE Technology, All rights reserved.

