

17.3" Cat5 LCD KVM over IP Switch 1-Local / 1-Remote Access

(HT2708 / HT2716 / HT2724 / HT2732)

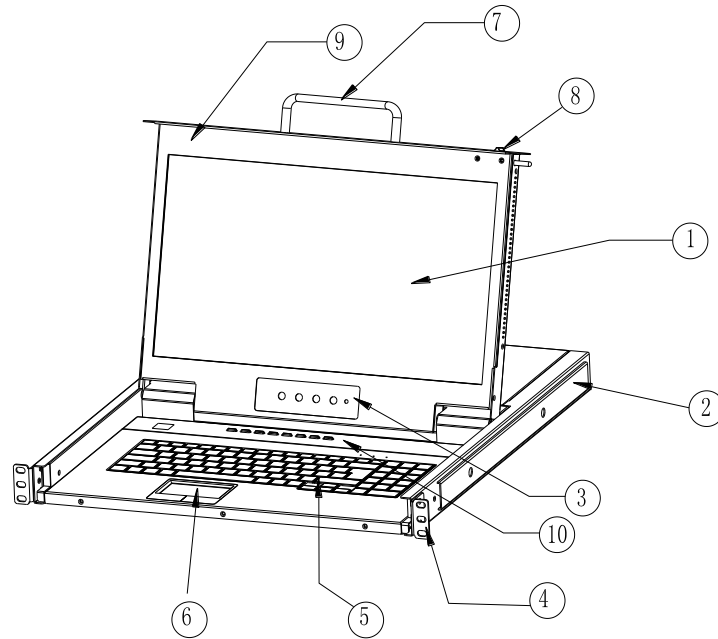


Overview

Featuring an integrated LCD monitor, keyboard, and touchpad in a 1U rack-mountable housing, the HT27xx series LCD KVM over IP Switch is a control unit that allows secure access to 8/16/24/32 computers from a single KVM console.

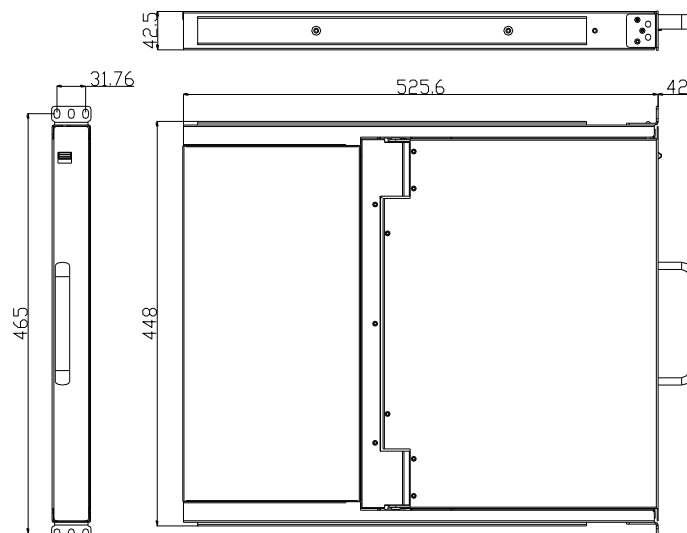
The HT27xx series features IP-based connectivity that allows local and remote operators to monitor and access the computers. With TCP/IP communications protocol, the HT27xx series can be accessed from any computer on the LAN, WAN or Internet.

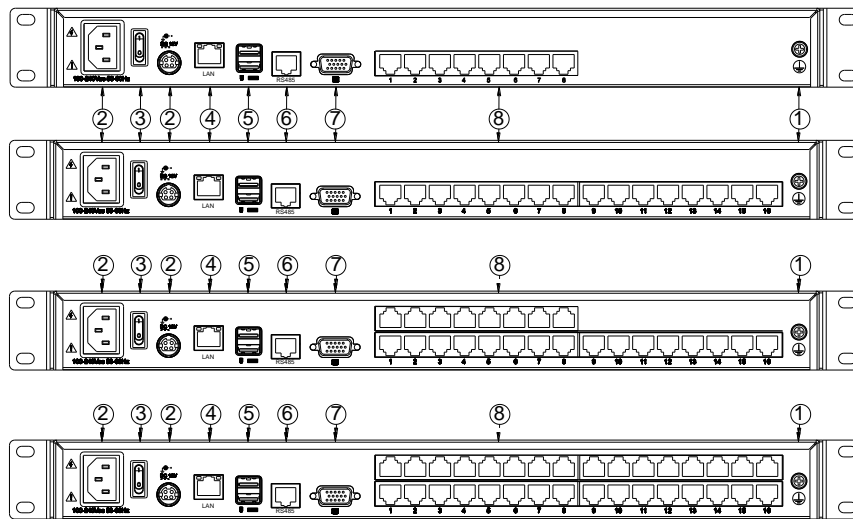
It's easy to set up the HT27xx series, just plug the cable into the appropriate port, no software needed, no complicated installation procedures, and no compatibility issues. Connect computers with compact RJ-45 connectors and Cat 5e/6 cable, transmitting distance is up to 100m.



| | |
|------------------------|---------------------------|
| 1 LCD Monitor | 6 Touchpad |
| 2 Rear Bracket Slot | 7 Handle |
| 3 Display Menu Buttons | 8 Release Switch |
| 4 Mounting Bracket | 9 Display Panel |
| 5 Keyboard | 10 Port Selection Buttons |

Structure





| | | | |
|---|-------------------------|---|----------------------|
| 1 | Ground Connection Screw | 5 | USB Port |
| 2 | Power input(AC or DC) | 6 | RS485 Port |
| 3 | Power switch | 7 | Console Monitor Port |
| 4 | LAN port | 8 | Host Port |

Features

Hardware Features

- 17.3" FHD TFT LCD monitor with highlight, high definition and high resolution
- Rack-mountable in 1U system rack
- Full size keyboard with integrated number pad
- Integrated trackball – eliminates the need for a separate, external mouse
- Dual power supply

Local Console

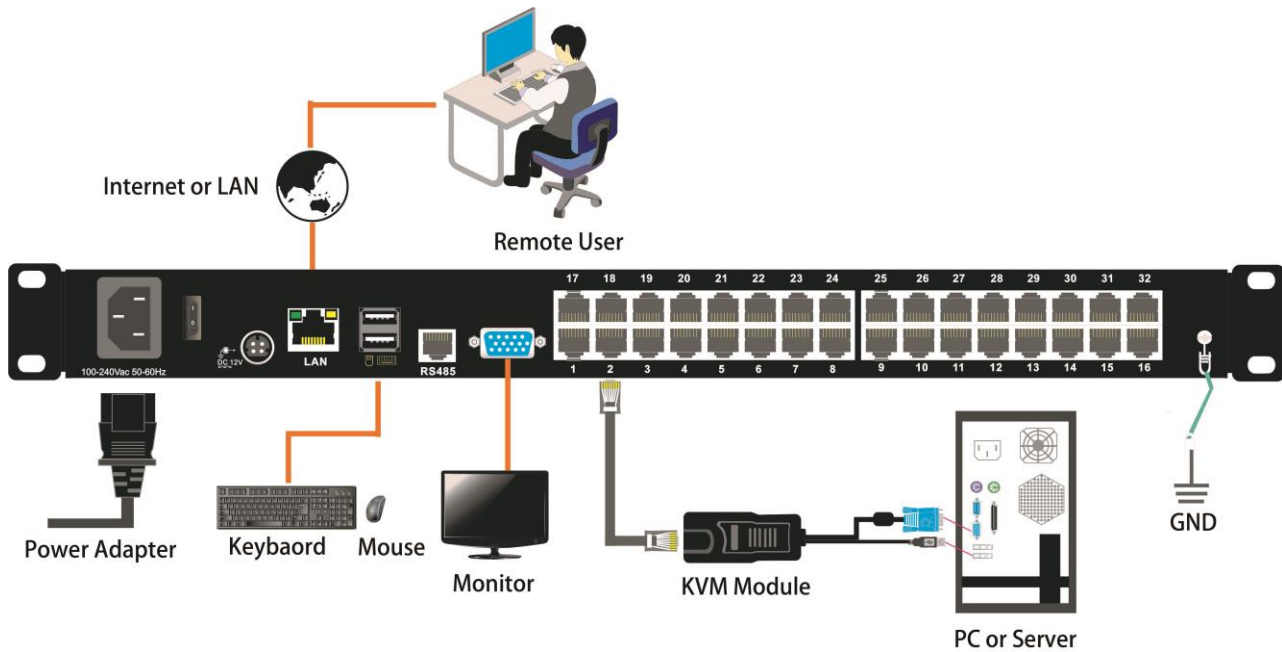
- Control up to 8 / 16 computers
- Support 1 local user and 1 remote user, port share mode allows local and remote users to gain access to a server simultaneously
- Easy-to-use switching by browser-based UI interface, hotkeys and pushbuttons
- Support servers with VGA/DVI/HDMI port
- Multiplatform client support (Windows, Linux, Unix, Mac, Solaris (Sun), Redhat, Ubuntu)
- Local Console, Browser, and AP GUIs offer a unified Multilanguage interface
- Local resolution is up to 1920 x 1080
- Support mouse synchronization mode – automatically synchronizes the local and remote mouse movements
- Video synchronization with local console – EDID information for local console display can be stored in the host module for video resolution optimization
- Keyboard and mouse emulation to ensure the normal booting
- Auto scan feature for monitoring user-selected computer
- Hot pluggable – add or remove computers without having to power down the switch

Remote Console

- Adaptive 10 / 100 / 1000 Mbps network
- WEB browser-based remote management
- A Windows client is available for remote access
- BIOS-level access
- Video quality and video tolerance can be adjusted to optimize data transfer speed, data transfer speed is up to 30 FPS

- Full screen or scalable video display
- Remote users and local users can control the same server/computer synchronously
- Support AES / DES / 3DES encryption
- Support audit function – allows the administrator to audit the device through the system log and operation log
- Exit Macros support
- Configurable user and group permissions for server access and control
- Message Board for communication among remote users
- Support firmware upgrade

Connection Diagram



Package Contents

- 1x KVM over IP console
- 8/16/24/32x USB KVM Dongle - KCM-1200U
- 2x Mounting Rails
- 1x Shield Network Cable
- 1x Power Cord
- 1x Ground Wire
- 1x Quick Start Guide
- 1x User Manual

Specifications

| Model | | HT2708 | HT2716 | HT2724 | HT2732 |
|-------------------------------|---------------------------------------|-------------------------------------|--------|--------|--------|
| Computer Connections | Direct | 8 | 16 | 24 | 32 |
| | Max | 8 | 16 | 24 | 32 |
| Port Selection | Keyboard, Mouse | Button, UI, Web | | | |
| LCD Monitor | Model | FHD TFT | | | |
| | View Area | 17.3" | | | |
| | Optimum Resolution | 1920x1080@60Hz | | | |
| | Color | 16.7 M | | | |
| | Brightness | 400cd/m ² (T y p) | | | |
| | Contrast Ratio | 600 : 1 (T y p) | | | |
| | Pixel Pitch(mm) | 0.1989(H) x 0.1989(W) | | | |
| Mouse | X/Y Resolution | >1000 points / inch, (40 points/mm) | | | |
| | Scroll Wheel | Supports Scroll Wheel function | | | |
| Keyboard | 99 keys (82 keyboard + 17 number pad) | | | | |
| Remote | Remote Control | KVM Control (ActiveX) | | | |
| | Management | Web | | | |
| | Security | DES Encrypted | | | |
| | Resolution | 1920x1080@60Hz | | | |
| Power Input | 100V- 240Vac , 50-60Hz , <1.5A | | | | |
| Power Consumption | 23W | 25W | 28W | 28W | |
| Operating Temperature | 0 — 40 °C | | | | |
| Store Temperature | -20 —60 °C | | | | |
| Humidity | 0~80% RH, non-condensing | | | | |
| Net Weight | 11.5kg | 11.5kg | 12kg | 12kg | |
| Product Dimension (W x D x H) | 448mmx525.6mm mmx42.5mm | | | | |
| Package Dimension (W x D x H) | 765mmx615mmx185mm | | | | |