

Rackmount 8 / 16 Port DVI KVM Switch (RDV108 / RDV116)



Overview

The RHD108 / RHD116 8/16-port USB DVI KVM Switch is a control device that support access and control up to 8/16 DVI computers from a single USB keyboard, USB mouse, and monitor console. Resolution is up to 1920 x 1080@60Hz.

It's easy to set up the RDV108 / RDV116 USB DVI KVM switch, just plug the cable into the appropriate port, no software needed to be set up, no complicated installation procedures are involved, and no compatibility issues needed to be considered.

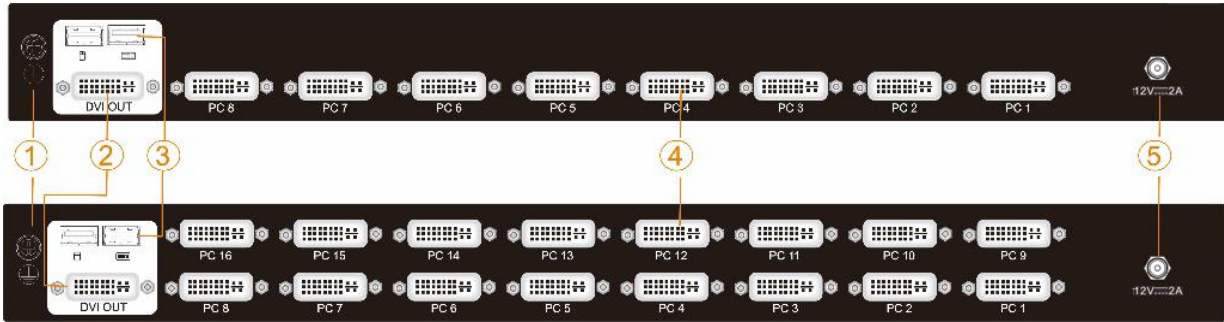
Structure



Features

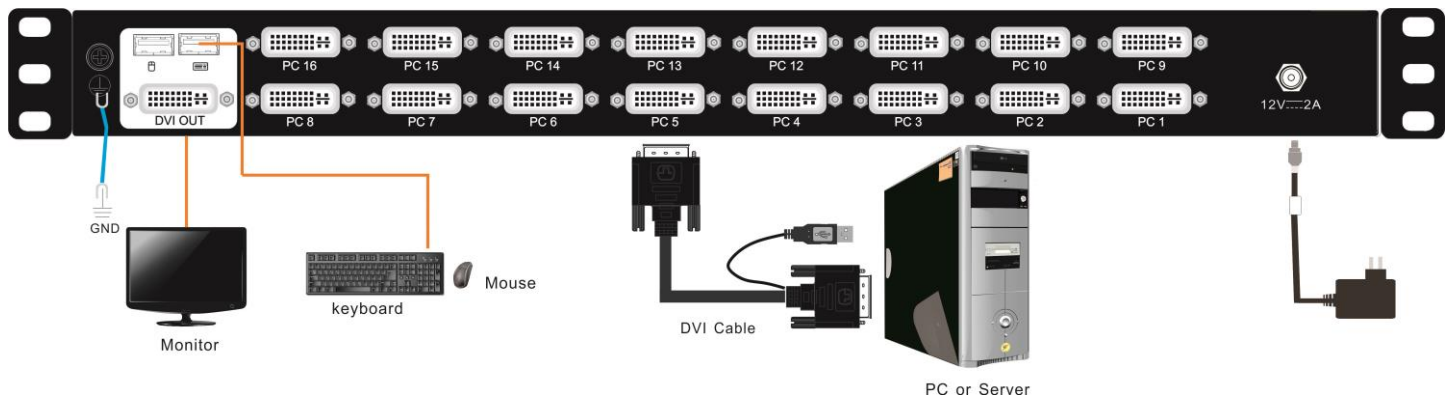
- One single device control 8/16 DVI computers, as many as 256 servers can be controlled by cascading
- Resolution –1920 x 1080@60Hz
- Support wide-screen resolution
- DDC dynamic refresh technology – the computer automatically selects the best screen resolution display, which can avoid the resolution incompatibility when boot-up and switching between ports
- Fully complied with HDCP
- Computer selection via front panel pushbuttons, hotkeys
- Broadcast mode – operations simultaneously performed on all selected computers
- Easily select servers with mouse
- Multi-platform – Windows, Linux, Mac, Unix
- Complete keyboard emulation for error-free booting
- Support gaming, multi-media, wireless keyboard and mouse.
- Auto scan mode for monitoring all computers
- Support hot-plugging
- Support firmware upgraded

Connector



No.	Instruction
1	Power Socket
2	Grounded Screw
3	PC Port
4	Console Port
5	USB Port

Connection Diagram



Specifications

Model		RDV108		RDV116	
Server Connection		8		16	
Max Connection		128		256	
Port Selection		Pushbutton, Hot key			
Connector	Console	Monitor	1x DVI-D		
		Keyboard/Mouse	1x double layer USB type A		
	KVM	Monitor(HDMI)	8	16	
		Keyboard/Mouse	8	16	
	Power	3-Prong AC Socket			
Switch	Port Selection	8x buttons	16x buttons		
	Reset	1x touch button			
	Power	1x rocker switch			
LEDs	Online	8 (green)	16 (green)		
	Selected	8 (orange)	16 (orange)		
	Power	1 (blue)			
	Port Display	2x 7-Segment (orange)			
I/R Value		100V – 240Vac, 50 ~ 60Hz, <1.5A			
Resolution		1920 x 1080@60Hz			
Consumption		8W	13 W		
Environment	Operating	0 – 40 °C			
	Storage	-20 – 60 °C			
	Humidity	0 – 80%RH, non-condensing			
Physical Features	Material	Metal			
	Weight	2.5kg	2.7Kg		
	Dimension	433 x 171 x 44.5mm			