

10. Door frames i assembly rails

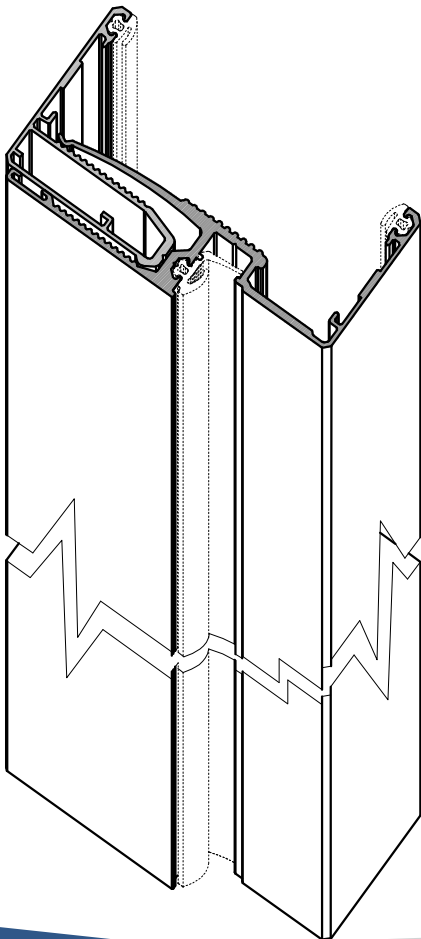
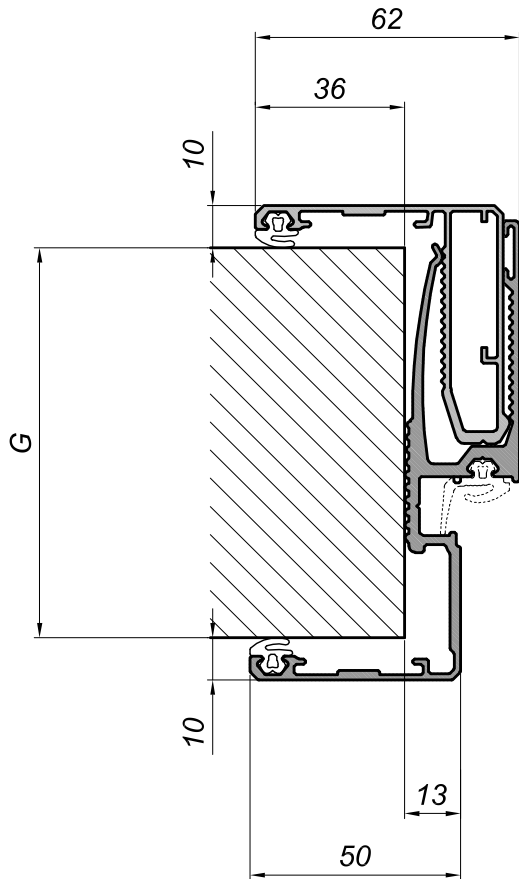


Glass

CGLASS
OKUCIA DO SZKŁA

NORGPOL
ZAOPATRZENIE DLA PRZEMYSŁU

Door frame NG-NF1



Door frame NG-NF1

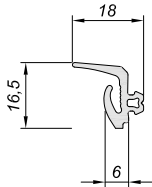


Product code	glass thickness	finish
NG-NF1-75-105-NA	75-105mm	anode
NG-NF1-75-105-SS	75-105mm	satin
NG-NF1-75-105-RAL	75-105mm	RAL
NG-NF1-100-130-NA	100-130mm	anode
NG-NF1-100-130-SS	100-130mm	satin
NG-NF1-100-130-RAL	100-130mm	RAL
NG-NF1-130-160-NA	130-160mm	anode
NG-NF1-130-160-SS	130-160mm	satin
NG-NF1-130-160-RAL	130-160mm	RAL
NG-NF1-160-190-NA	160-195mm	anode
NG-NF1-160-190-SS	160-195mm	satin
NG-NF1-160-190-RAL	160-195mm	RAL
Properties		
length		580cm
material		aluminum

Door frame NG-NF1

Main seal for door frame NG-NF1/2/3/4

NG-NFV

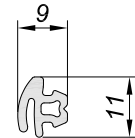


Product code	color
NG-NFV	gray
Properties	
material	PVC

Bottom seal for door frame NG-NF1/4

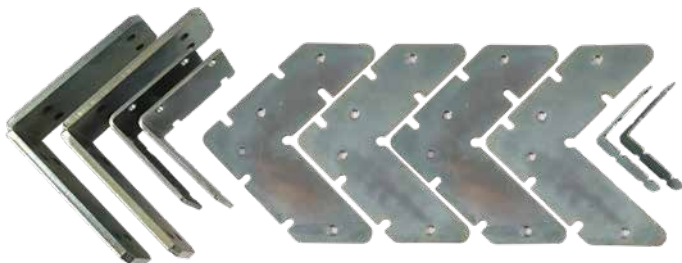
NG-NFP

Product code	color
NG-NFP	gray
Properties	
material	PVC



Set of mounting corners

NG-NF1-KIT



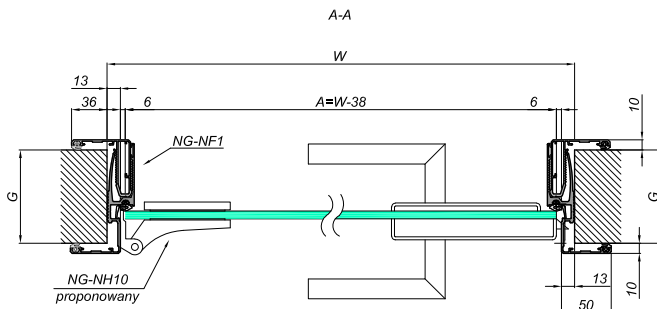
Product code	
NG-NF1-KIT	
Properties	
material	stainless steel

The set for one door frame include all item on the picture.

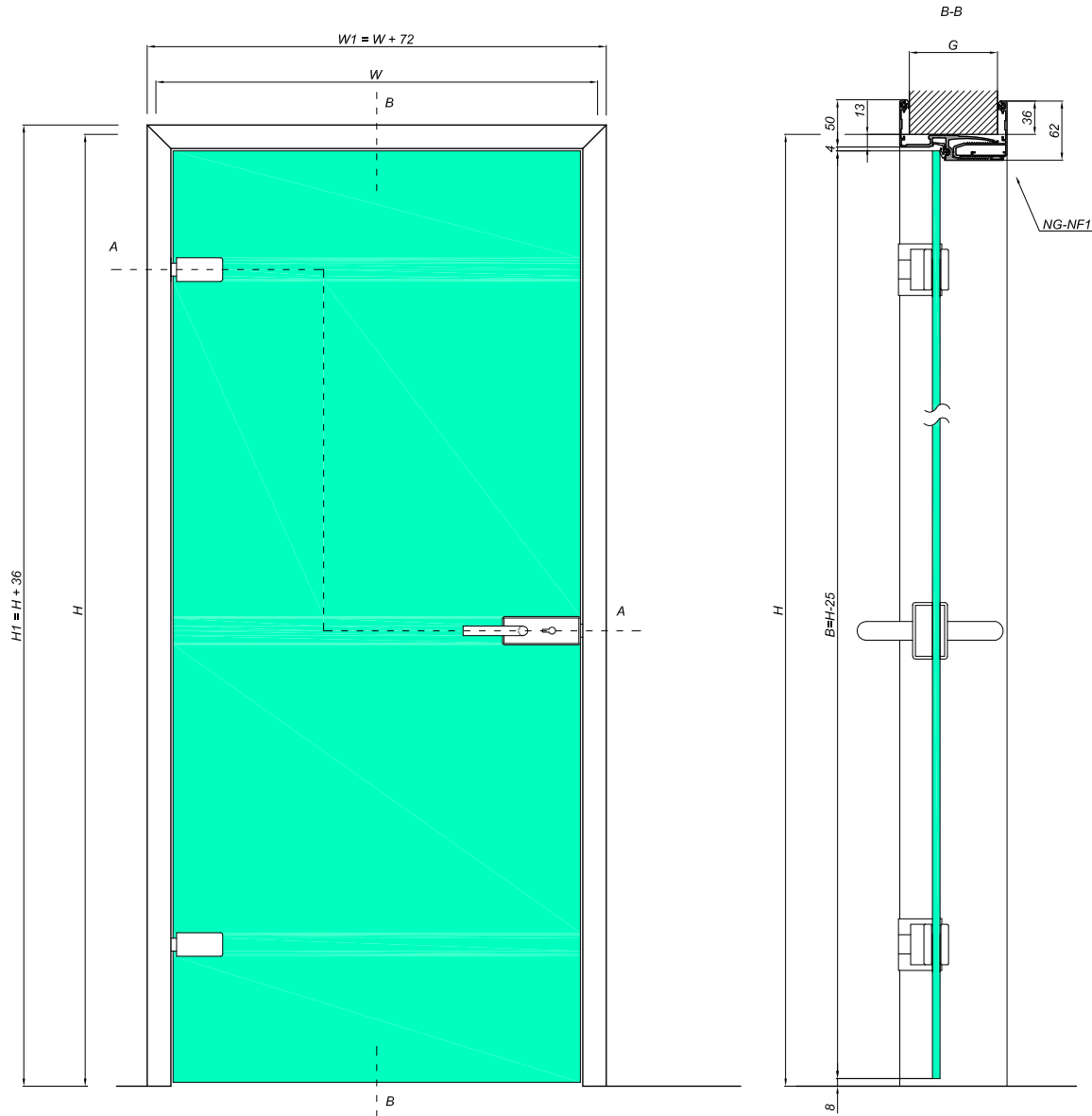
Door frame NG-NF1

Measure schema

NG-NF1

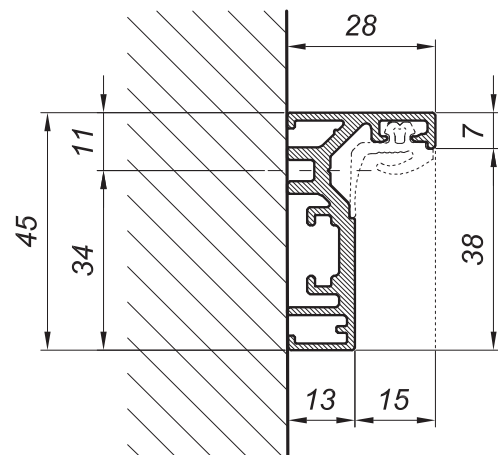


- A- door width
- B- door height
- W- base width crossing
- W1- frame width
- H- base frame height
- H1- frame height
- G- wall thickness
- G1- 75-105 mm -NG-NF1-75-105
- G1- 100-130 mm - NG-NF1-100-130
- G2- 130-160 mm- NG-NF1-130-160
- G3- 160-195 mm NG-NF1-160-195

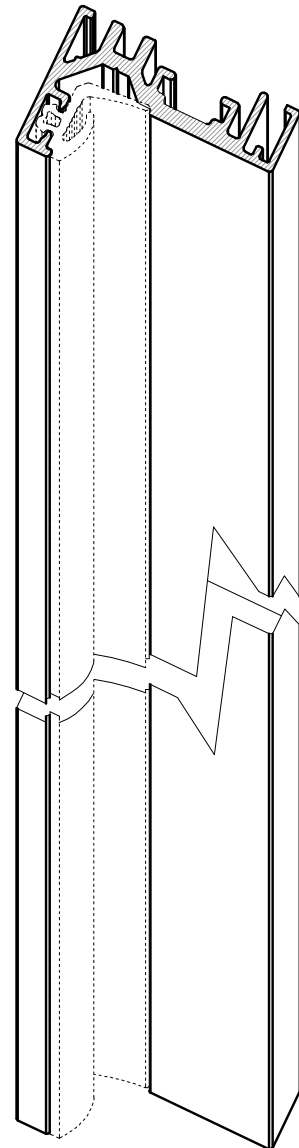


Door frame NG-NF2 type „L”

Door frame NG-NF2



Product code	finish
NG-NF2-NA	anode
NG-NF2-SS	satın
NG-NF2-RAL	RAL
Properties	
length	580cm
material	aluminum

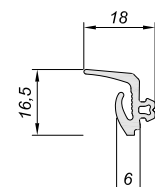


Door frame NG-NF2 typ „L”

Main seal for door frame NG-NF1/2/3/4

NG-NFV

Product code	color
NG-NFV	gray
Properties	
material	PVC



Set of mounting corners

NG-NF2-KIT



Product code

NG-NF2-KIT

Properties

material

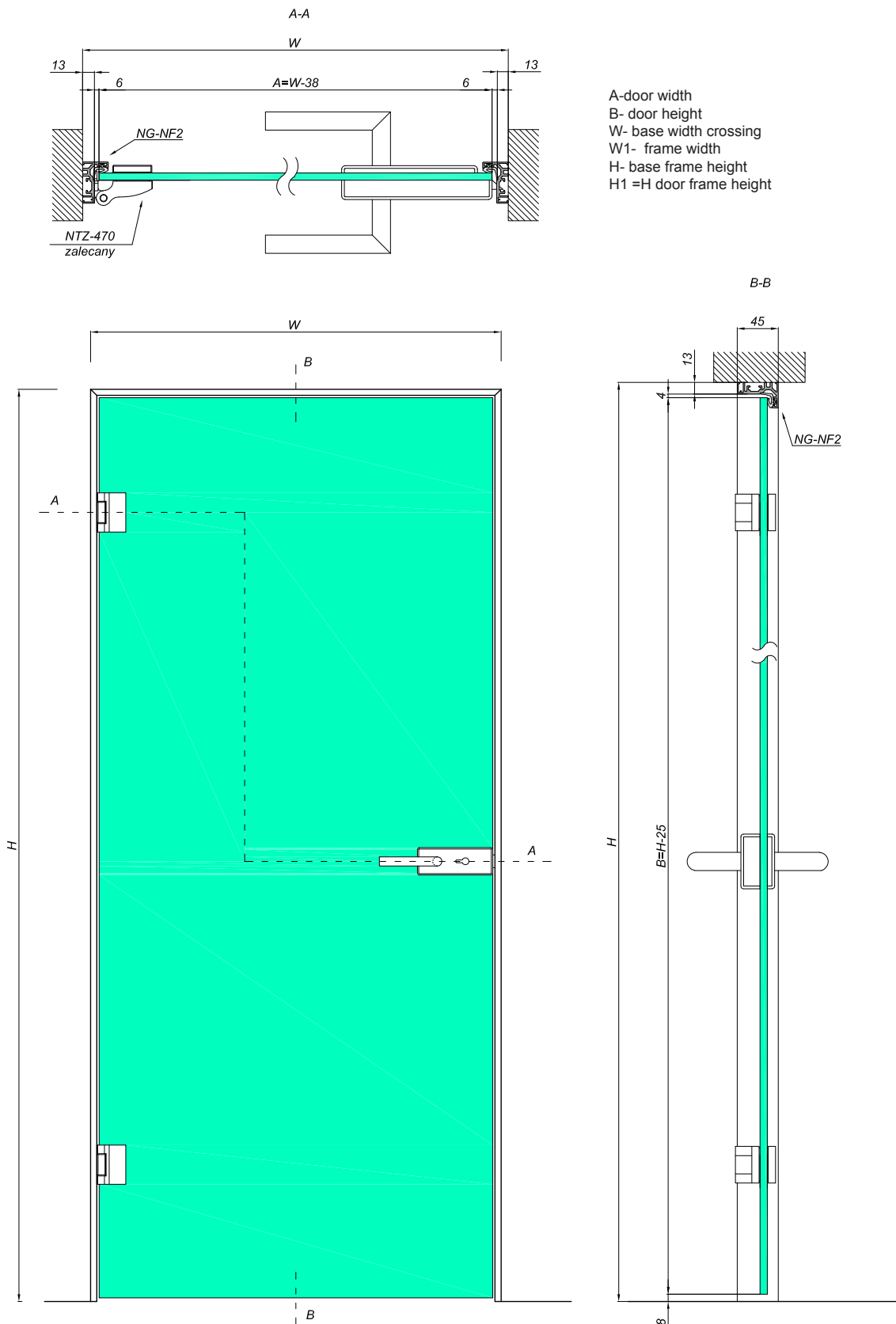
stainless steel

The set for one door frame include all intem on the picture.

Door frame NG-NF2 typ „L”

Measure schema

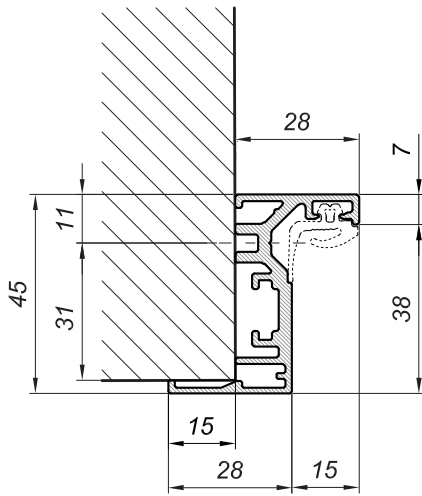
NG-NF2



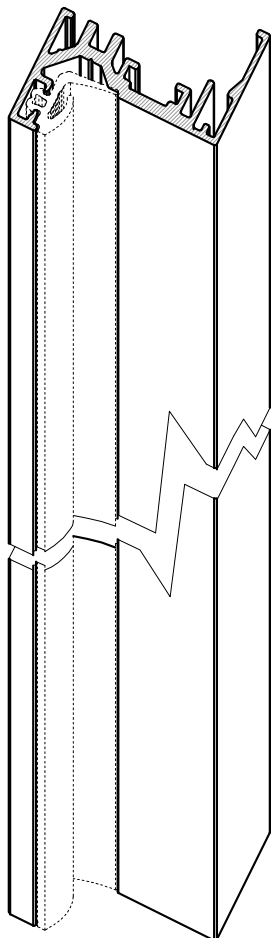
A-door width
 B- door height
 W- base width crossing
 W1- frame width
 H- base frame height
 H1 =H door frame height

Door frame NG-NF3 type „Z”

Door frame NG-NF3



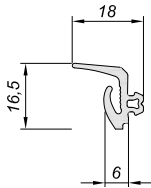
Product code	finish
NG-NF3-NA	anode
NG-NF3-SS	satın
NG-NF3-RAL	RAL
Properties	
length	580cm
material	aluminum



Door frame NG-NF3 type „Z”

Main seal for door frame NG-NF1/2/3/4

NG-NFV



Product code	color
NG-NFV	gray
Properties	
material	PVC

Set of mounting corners

NG-NF3-KIT



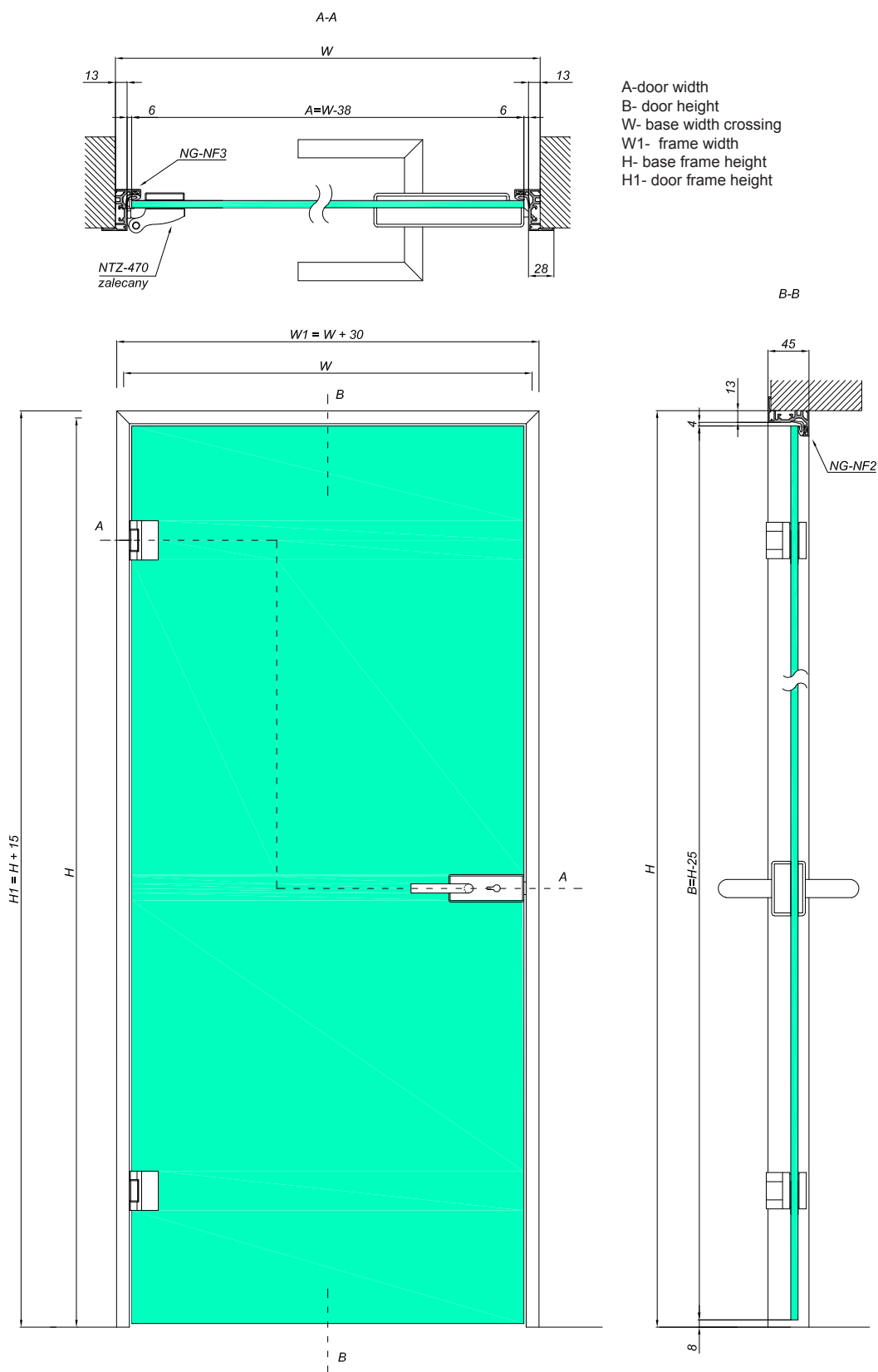
Product code	
NG-NF3-KIT	
Properties	
material	stainless steel

The set for one door frame include all item on the picture.

Door frame NG-NF3 type „Z”

Measure schema

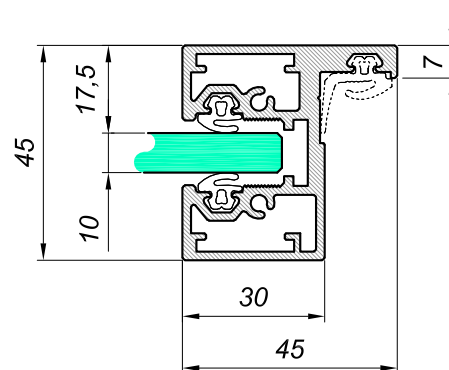
NG-NF-3



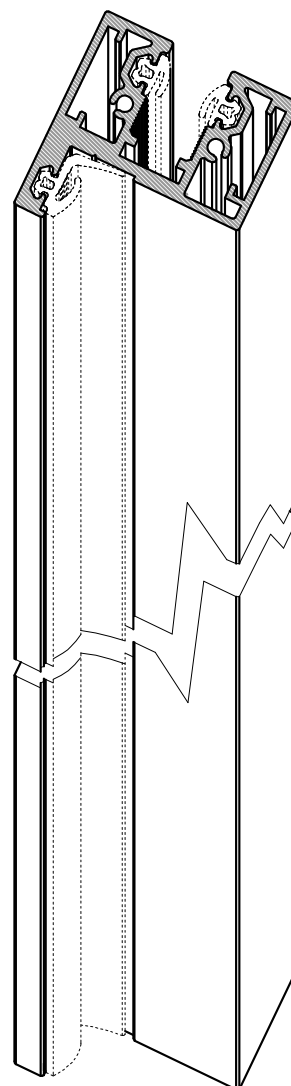
A- door width
 B- door height
 W- base width crossing
 W1- frame width
 H- base frame height
 H1- door frame height

Door frame NG-NF4 type „glass-glass”

Door frame NG-NF4



Product code	finish
NG-NF4-NA	anode
NG-NF4-SS	satın
NG-NF4-RAL	RAL
Properties	
length	580cm
material	aluminum

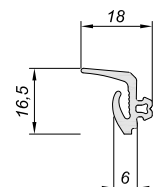


Door frame NG-NF4 type „glass-glass”

Main seal for door frame NG-NF1/2/3/4

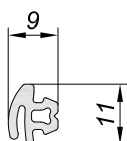
NG-NFV

Product code	color
NG-NFV	gray
Properties	
material	PVC



Bottom seal for door frame NG-NF1/4

NG-NFP



Product code	color
NG-NFP	gray
Properties	
material	PVC

Set of mounting corners

NG-NF4-KIT



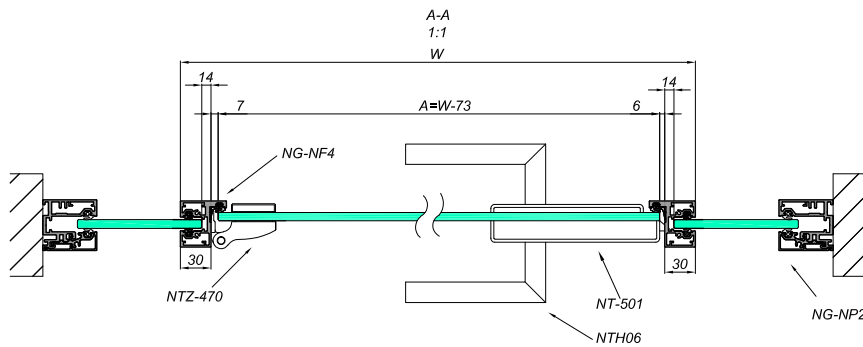
Product code	
NG-NF4-KIT	
Properties	
material	stainless steel

The set for one door frame include all item on the picture.

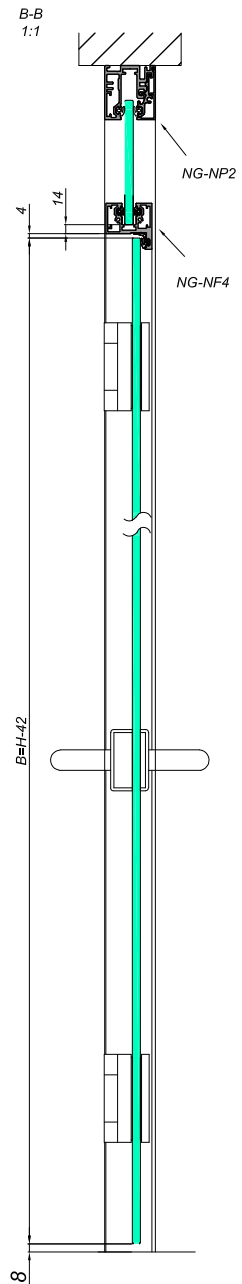
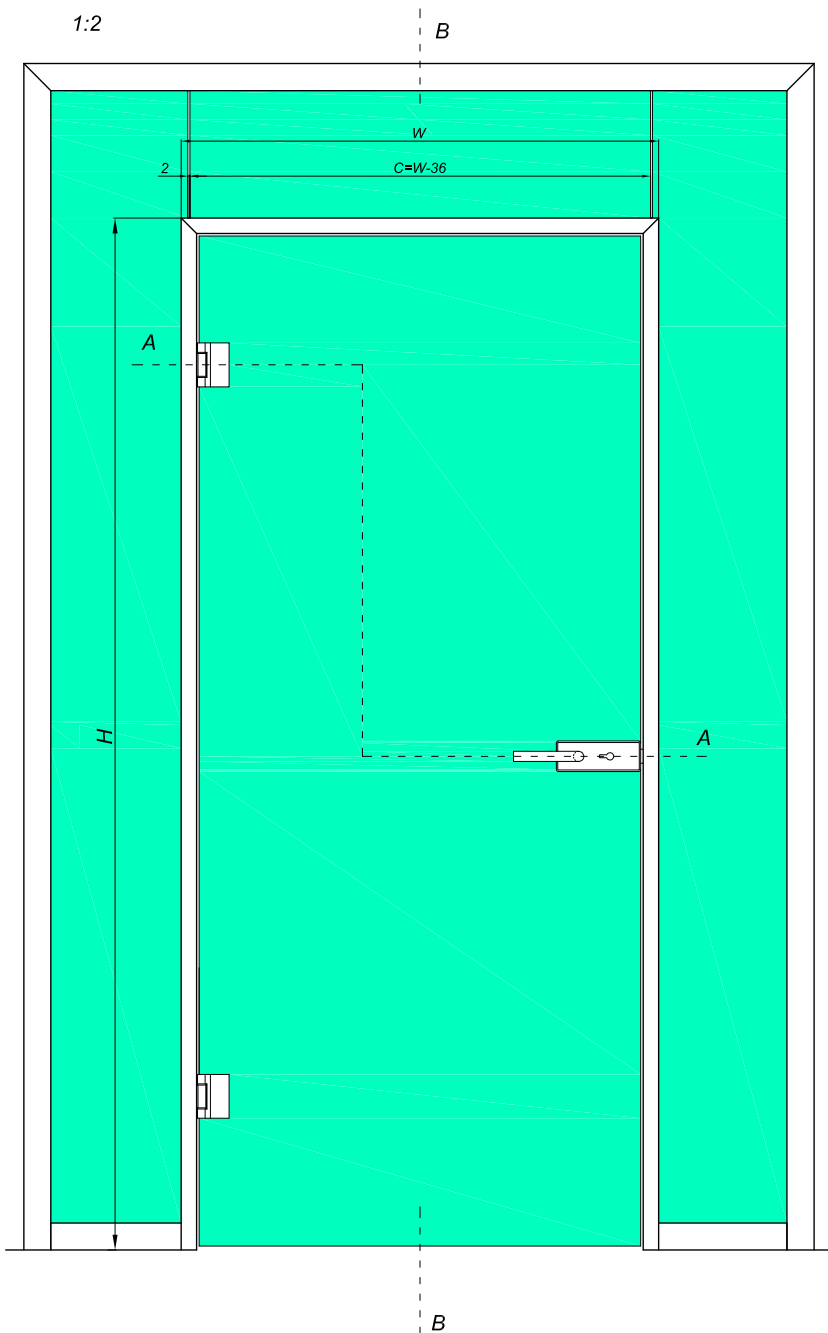
Door frame NG-NF4 type „glass-glass”

Measure schema

NG-NF4

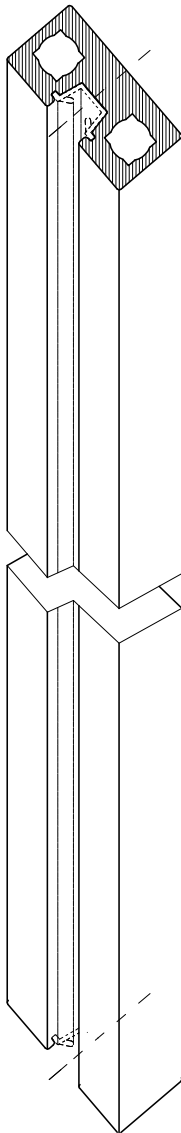
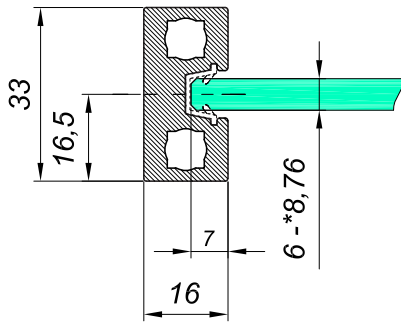


A-door width
B- door height
C- szerokość naświetla
W- base width crossing
W- frame width
H- frame height



Frame profile NF5

Frame profile for door frames NG-NF5



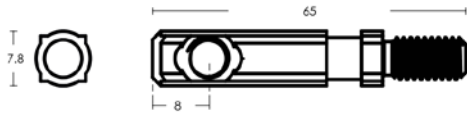
Product code	finish
NG-NF5-NA	anode
NG-NF5-SS	satin
NG-NF5-RAL	RAL
Properties	
length	350cm
Glass thickness	6 – *8,76mm
material	aluminum

*The way of assembly for glass thickness over 8mm.
contact with our technical department.

Frame profile NF5

Mounting mandrel of the frame profile NG-NF5

NG-NF5-PIN



Product code **color**

NG-NF5-PIN **gray**

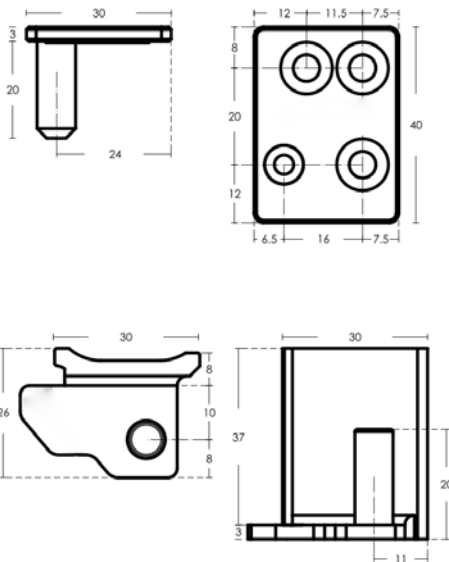
Properties

material **stainless steel**

For one door frame, do require 6 mandrels.

Bottom + top hinge of the frame profile NG-NF5 for door frame NG-NF1

NG-NF5-1



Product code **door type** **application**

NG-NF5-1-P **right** **z NG-NF1**

NG-NF5-1-L **left** **z NG-NF1**

Properties

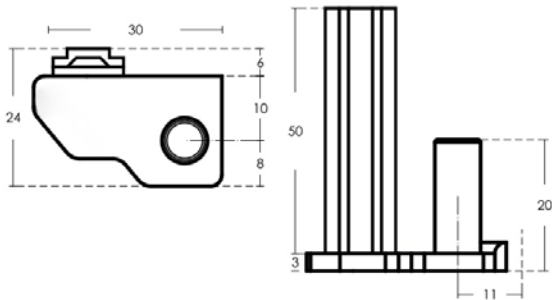
material **stainless steel**

The set for one door frame include all item on the picture.

Frame profile NF5

Bottom + top hinge of the frame profile NG-NF5 for door frame NG-NF2/3/4

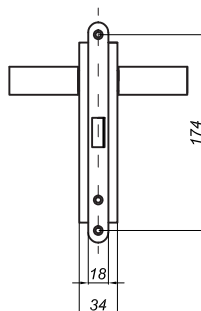
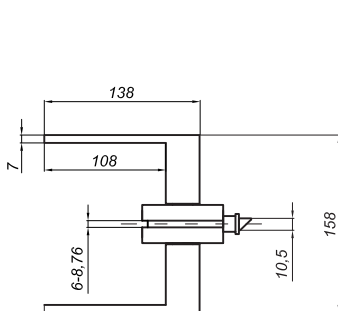
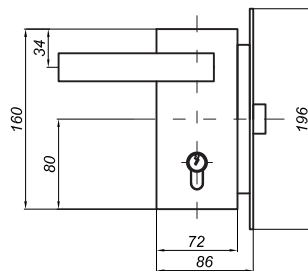
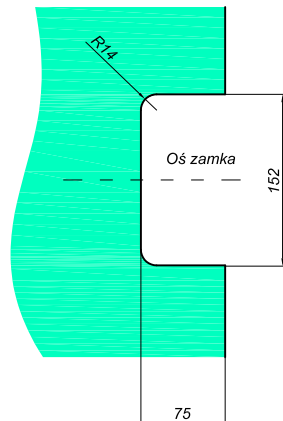
NG-NF5-2



Product code	door type	application
NG-NF5-2-P	right	z NG-NF2/3/4
NG-NF5-2-L	left	z NG-NF2/3/4
Properties		
material	stainless steel	
The set for one door frame include all item on the picture.		

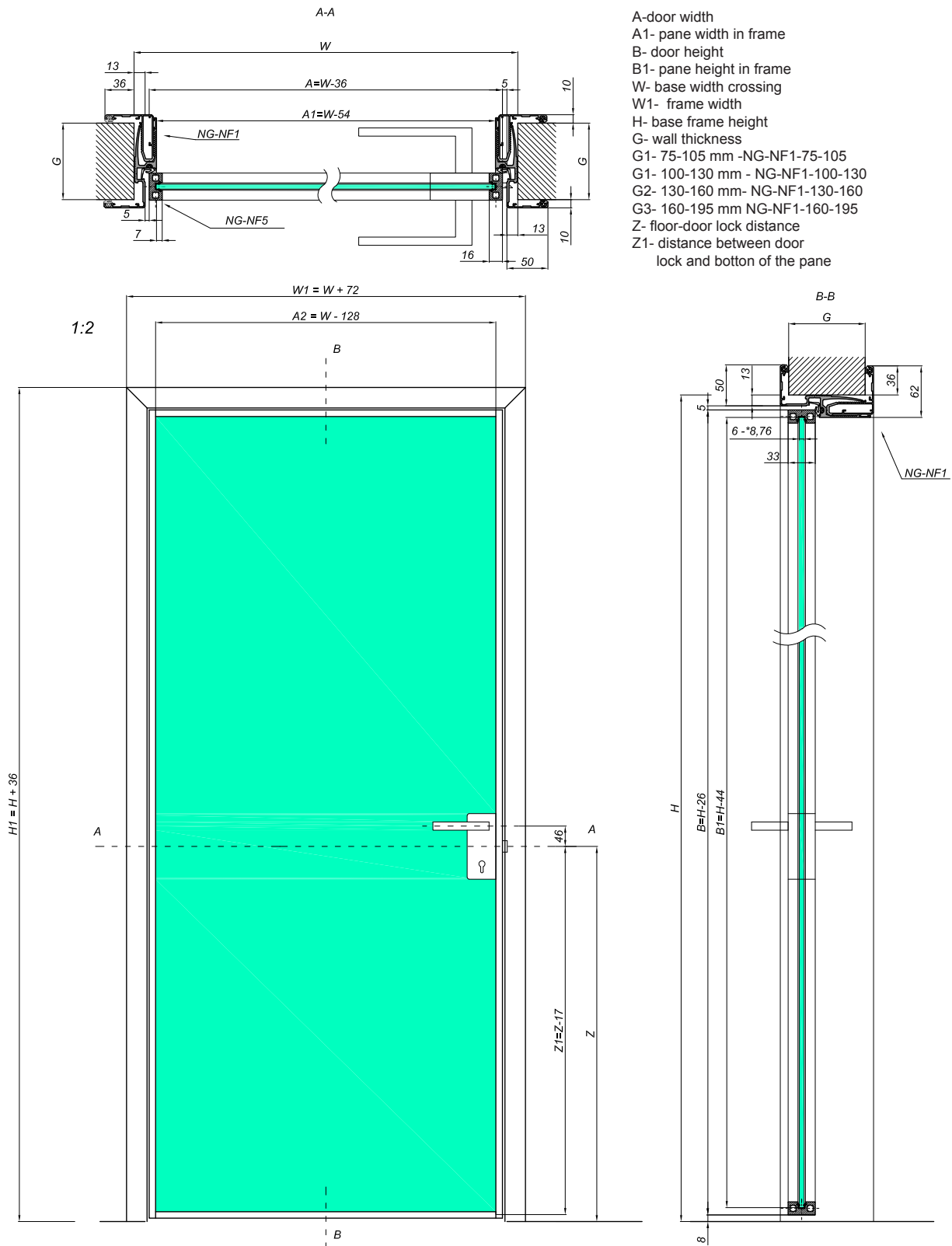
Lock for the frame profile NG-NF5

NG-NF5-LOCK



Product code	finish
NG-NF5-LOCK-NA	anode
NG-NF5-LOCK-SS	satın
NG-NF5-LOCK-RAL	RAL
Properties	
Glass thickness	6 – 8,76mm
The lock included insert for lock and door-handle	

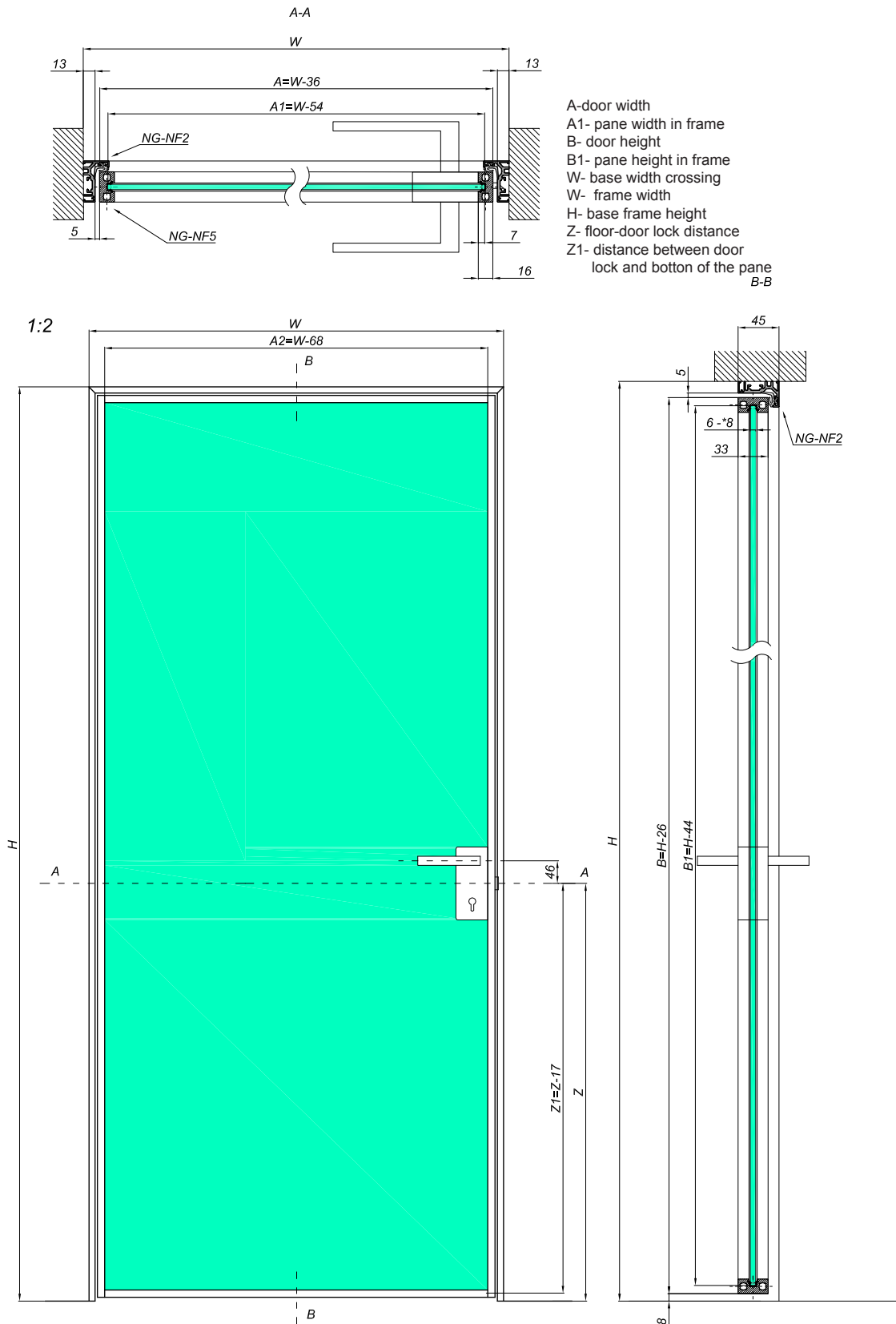
Mouting schema NG-NF1 z NG-NF5



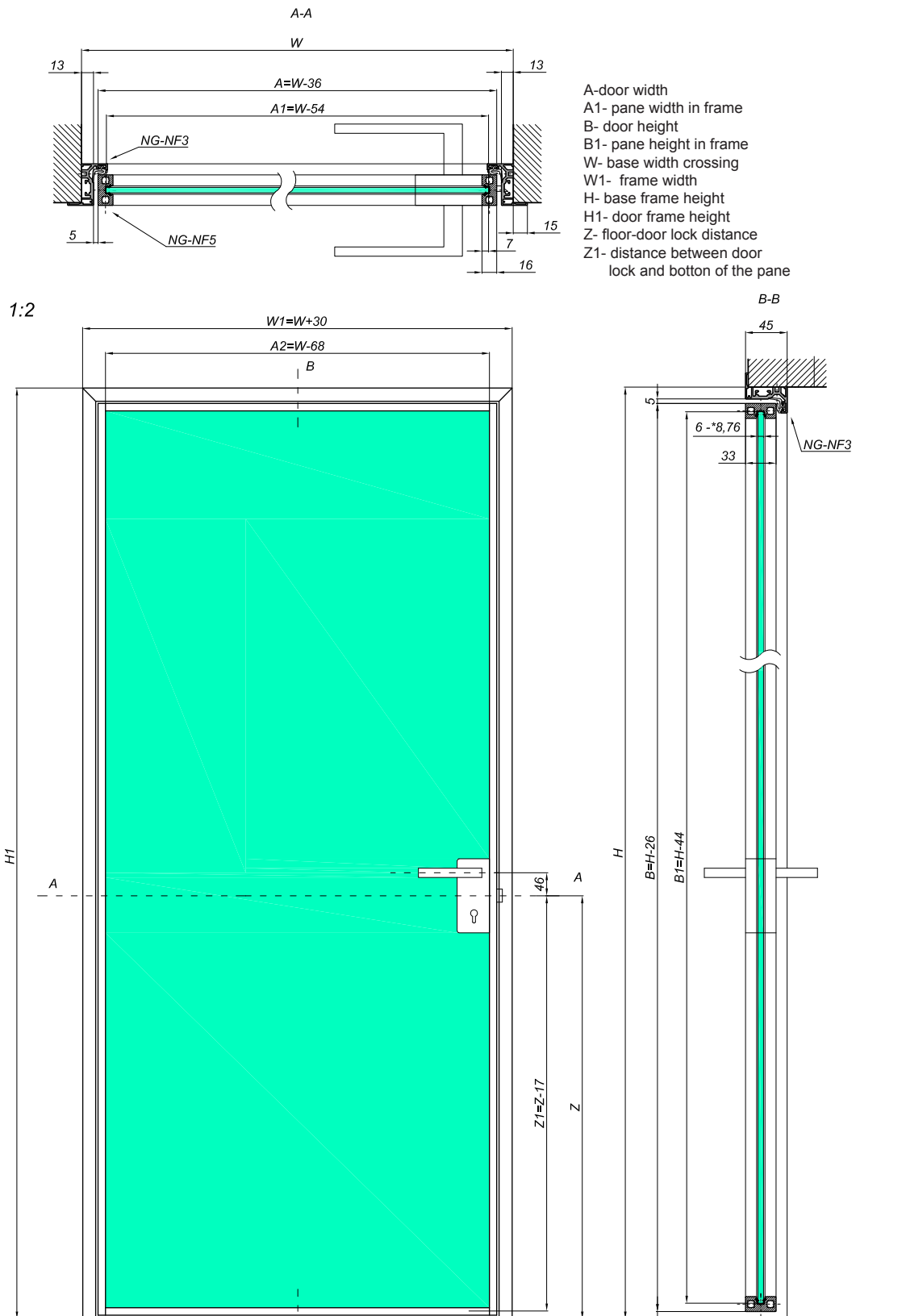
Frame profile NF5

Mouting schema

NG-NF2 z NG-NF5



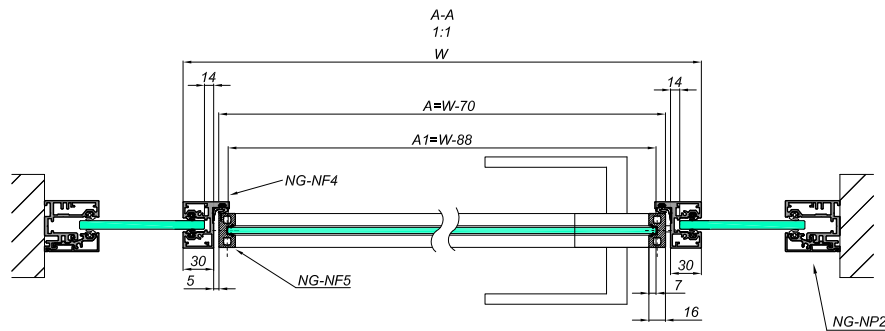
Mouting schema NG-NF3 z NG-NF5



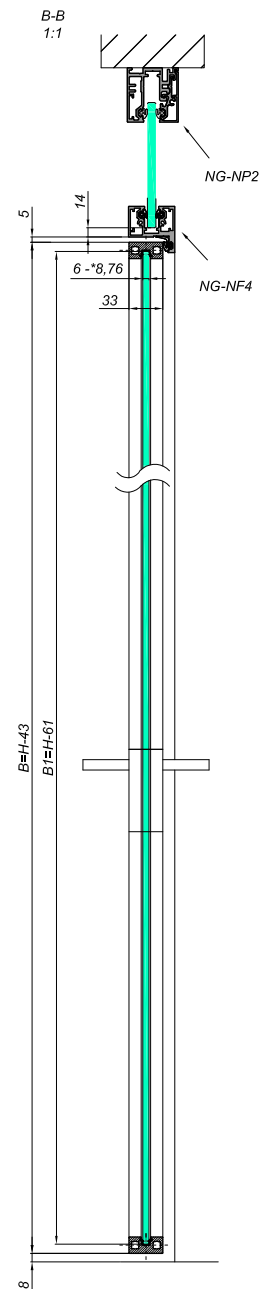
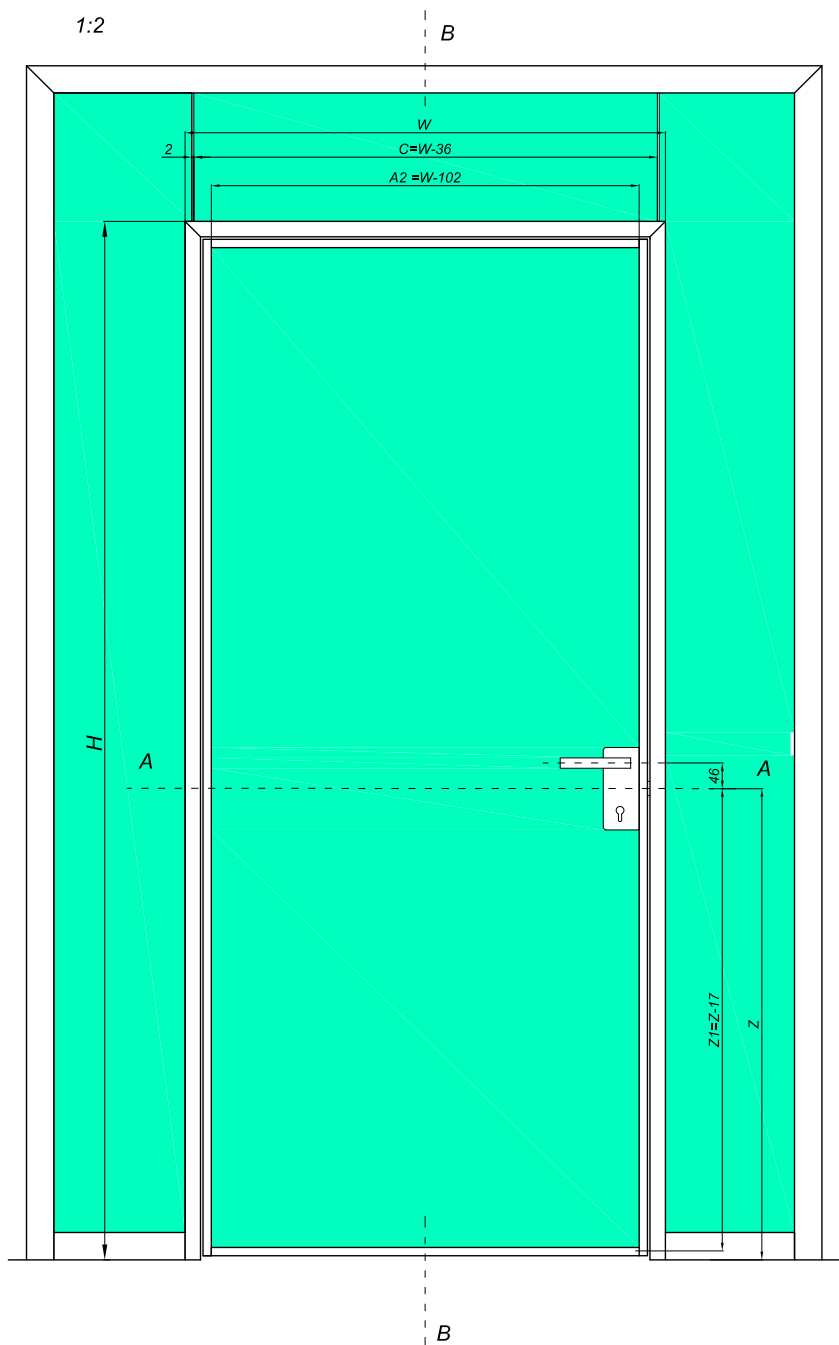
Frame profile NF5

Mouting schema

NG-NF4 z NG-NF5



- A-door width
- A1- pane width in frame
- B- door height
- B1- pane height in frame
- C- szerokość naświetła
- W- frame width
- H- frame height
- Z- floor-door lock distance
- Z1- distance between door lock and bottom of the pane

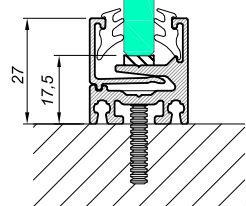
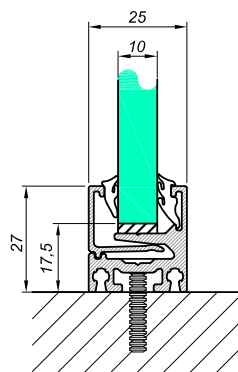
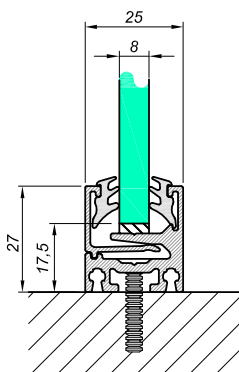
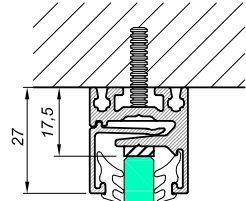


Assembly rails NG-NP1

Assembly rail NG-NP1



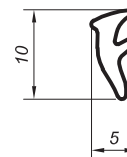
Product code	finish
NG-NP1-NA	anode
NG-NP1-SS	satın
NG-NP1-RAL	RAL
Properties	
length	350cm
Glass thickness	8-10mm
material	aluminum



Assembly rails NG-NP1

Seal A

NG-NF1V-A



Product code	color
---------------------	--------------

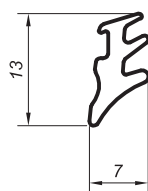
NG-NF1V-A	gray
-----------	------

Properties	
-------------------	--

material	PVC
----------	-----

Seal B

NG-NF1V-B



Product code	color
---------------------	--------------

NG-NF1V-B	gray
-----------	------

Properties	
-------------------	--

material	PVC
----------	-----

End cap

NG-NP1-EC

Product code	finish
---------------------	---------------

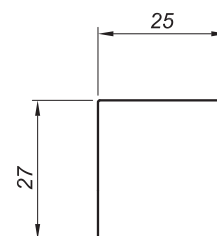
NG-NP1-EC-NA	anode
--------------	-------

NG-NP1-EC-SS	satın
--------------	-------

NG-NP1-EC-RAL	RAL
---------------	-----

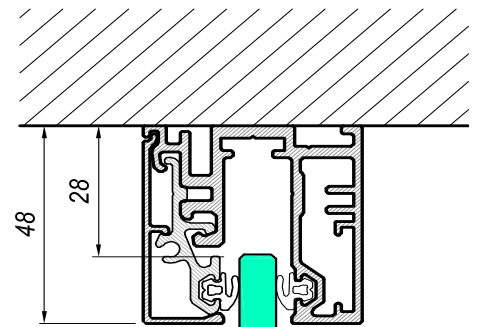
Properties	
-------------------	--

material	stainless steel
----------	-----------------

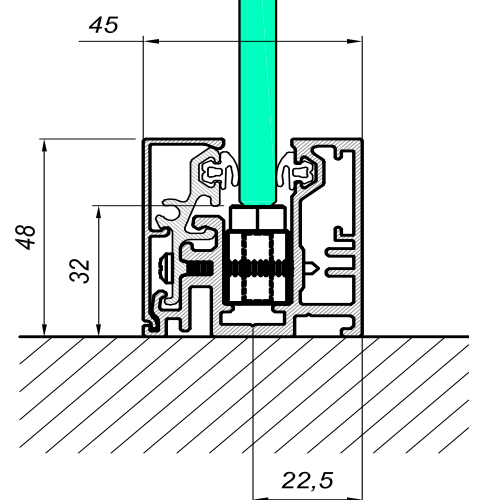
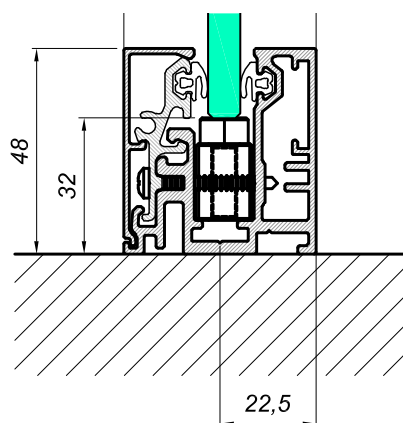


Assembly rails NG-NP2

Assembly rails NG-NP2



Product code	finish
NG-NP2-NA	anode
NG-NP2-SS	satın
NG-NP2-RAL	RAL
Properties	
length	580cm
Glass thickness	10mm
material	aluminum

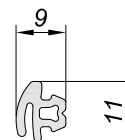


Assembly rails NG-NP2

Seal

NG-NFP

Product code	color
NG-NFP	gray
Properties	
material	PVC



Foundation for glass

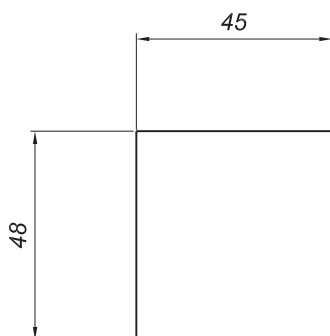
NG-NP2-K



Product code	color
NG-NP2-K	gray
Properties	
material	stainless steel

End cap

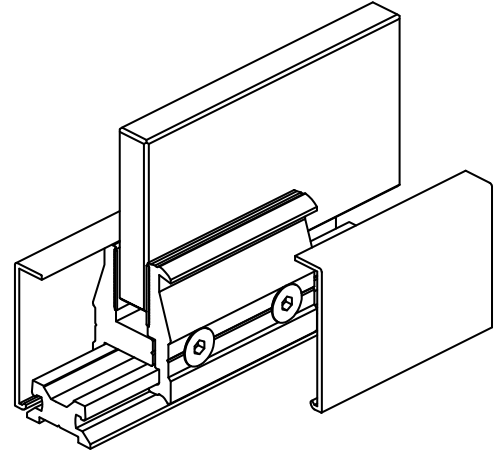
NG-NP2-EC



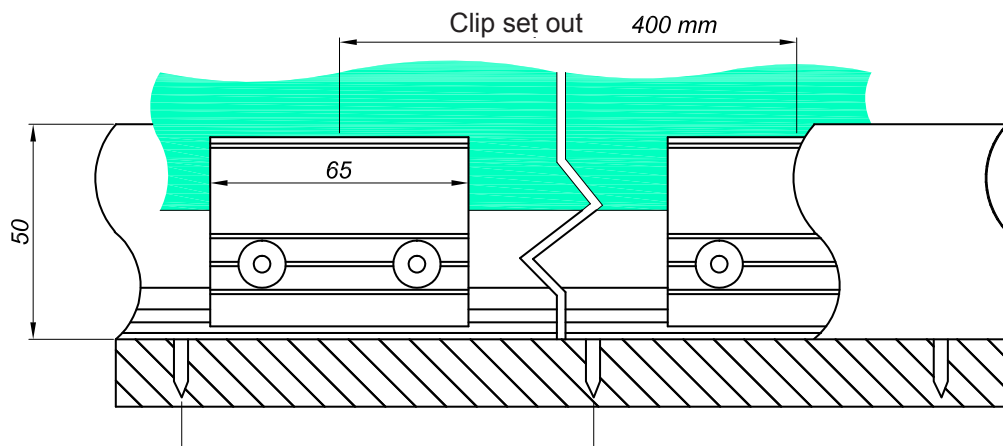
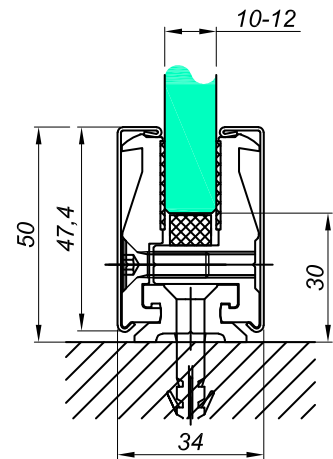
Product code	finish
NG-NP2-EC-NA	anode
NG-NP2-EC-SS	satın
NG-NP2-EC-RAL	RAL
Properties	
material	stainless steel

Assembly rails NOR-525

Assembly rail NOR-525

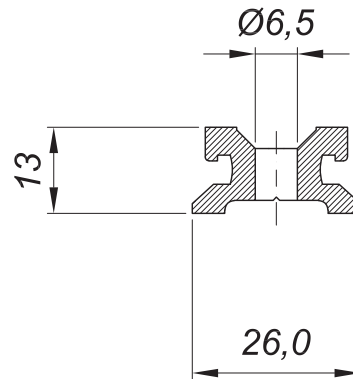


Product code	Glass thickness	finish
NOR-525-NA-10	10mm	silver anode
NOR-525-INOX-10	10mm	anode INOX
NOR-525-SS-10	10mm	stainless steel
NOR-525-RAL-10	10mm	RAL
NOR-525-NA-12	12mm	silver anode
NOR-525-INOX-12	12mm	anode INOX
NOR-525-SS-12	12mm	stainless steel
NOR-525-RAL-12	12mm	RAL
Properties		
length	300cm	
material	aluminum + stainless steel	



Assembly rails NOR-525

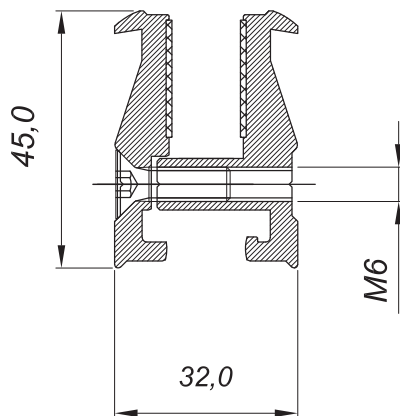
Main Profile NOR-525-B



Product code	length
NOR-525-3000	3000mm
NOR-525-6000	6000mm

Properties	
material	aluminum

Clip for glass NOR-525-Ł

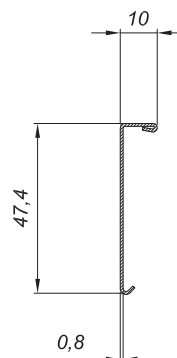


Product code	Glass thickness
NOR-525-Ł-10	10mm
NOR-525-Ł-12	12mm

Properties	
material	aluminum

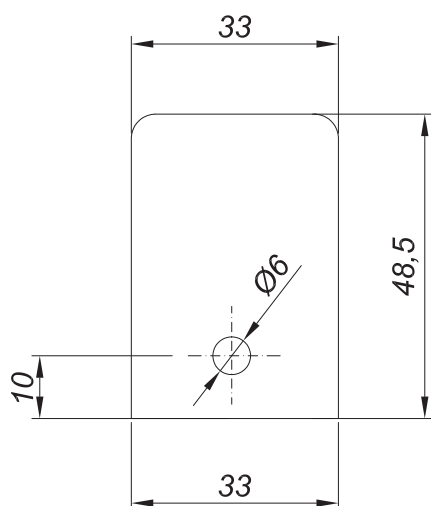
Assembly rails NOR-525

Side cover NOR-525-M



Product code	finish	material
NOR-525-M-NA	silver anode	aluminum
NOR-525-M-INOX	anode INOX	aluminum
NOR-525-M-SS	stainless steel	stainless steel
NOR-525-M-RAL	RAL	aluminum
Properties		
length		300cm
material	aluminum + stainless steel	

End cap NOR-525-Z



Product code	finish
NOR-525-Z-NA	anode
NOR-525-Z-SS	stainless steel
NOR-525-Z-RAL	RAL
Properties	
material	stainless steel

2018 PRODUCT CATALOG

NORGPOL Czerwiński S.J
02-867 Warszawa
ul. Baletowa 104
tel.: +48 22 33 15 400
fax.: +48 22 33 15 444
biuro@cglass.pl
www.cglass.pl

NORGPOL

ZAOPATRZENIE DLA PRZEMYSŁU

CGLASS

OKUCIA DO SZKŁA