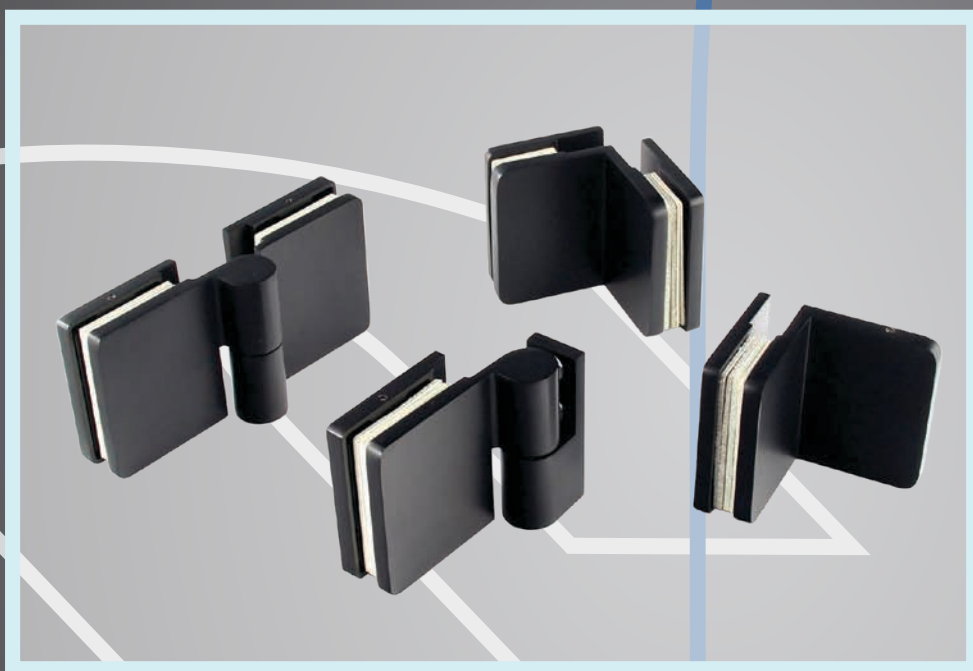


Hardware for cabin „Black Series”



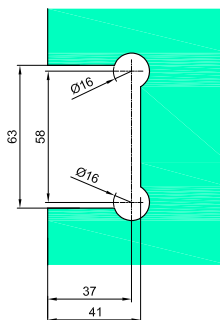
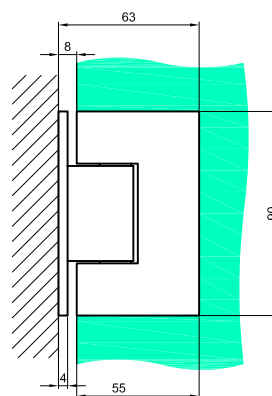
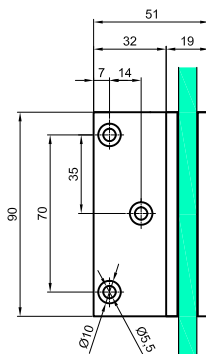
Glass

CGLASS
OKUCIA DO SZKŁA

NORGPOL
ZAOPATRZENIE DLA PRZEMYSŁU

Swinging hinge wall-glass VERONA

VER-BJ-90-B



Product code	Finish
VER-BJ-90-B	anode black matte

Properties

Glass thickness 8-12mm

Maximal load on two hinges 45 kg

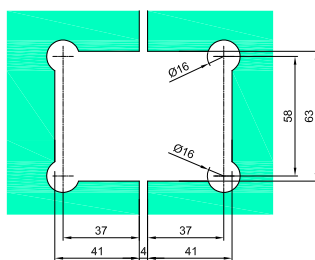
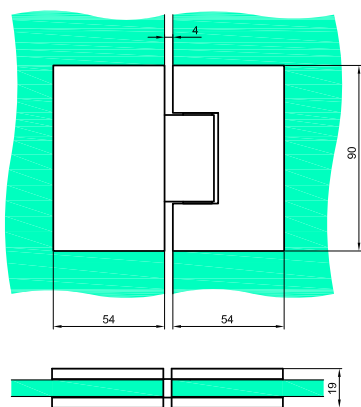
Material brass

self-closing door from 35°

Non asbestos seals

Swinging hinge wall-glass 180° VERONA

VER-BJ-180-B



Product code	Finish
VER-BJ-180-B	anode black matte

Properties

Glass thickness 8-12mm

Maximal load on two hinges 45 kg

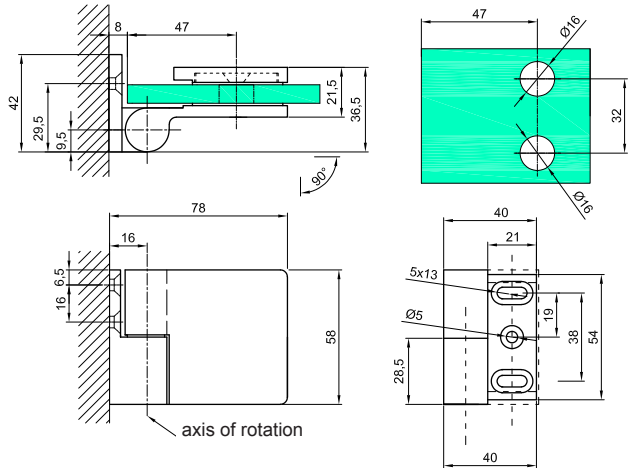
Material brass

self-closing door from 35°

Non asbestos seals

Lifted hinge glass-glass left VERONA

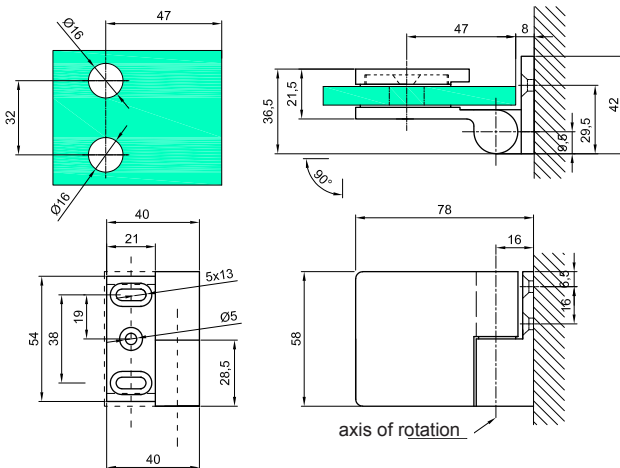
VER-A90-L-B



Product code	finish
VER-A90-L-B	anode black matte
Properties	
Glass thickness	8-12mm
Maximal load for two hinges	45kg
Material	brass
Non asbestos seals	

Lifted hinge glass-glass right 90° VERONA

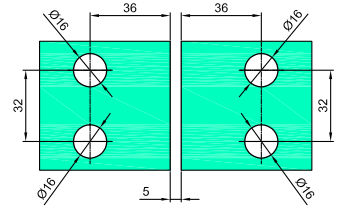
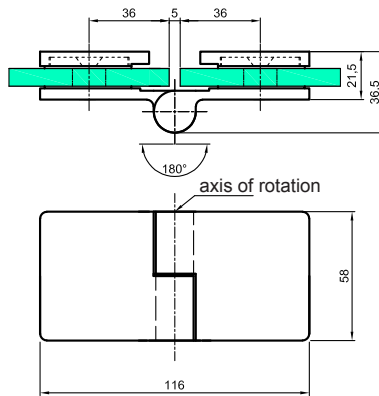
VER-A90-R-B



Product code	finish
VER-A90-R-B	anode black matte
Properties	
Glass thickness	8-12mm
Maximal load on two hinges	45kg
Material	brass
Non asbestos seals	

Lifted hinge glass-glass left 180° VERONA

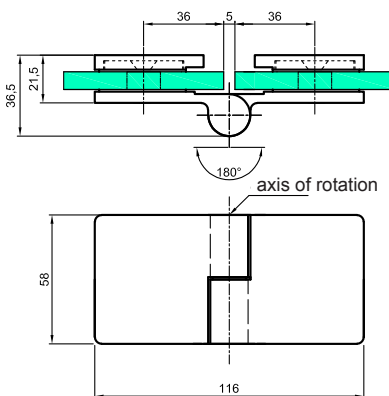
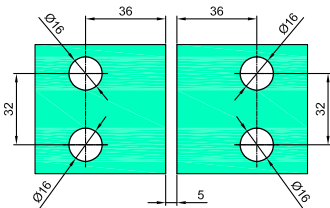
VER-180-L-B



Product code	finish
VER-180-L-B	anode black matte
Properties	
Glass thickness	8-12mm
Maximal load on two hinges	45kg
Material	brass
Non asbestos seals	

Lifted hinge glass-glass right 180° VERONA

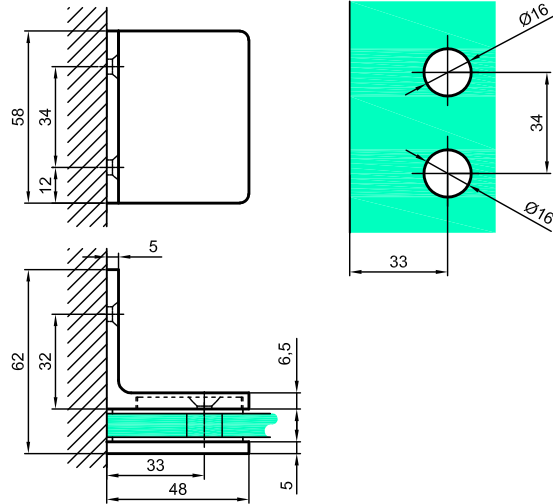
VER-180-R-B



Product code	finish
VER-180-R-B	anode black matte
Properties	
Glass thickness	8-12mm
Maximal load for two hinges	45kg
Material	brass
Non asbestos seals	

Connector wall-glass 90° VERONA

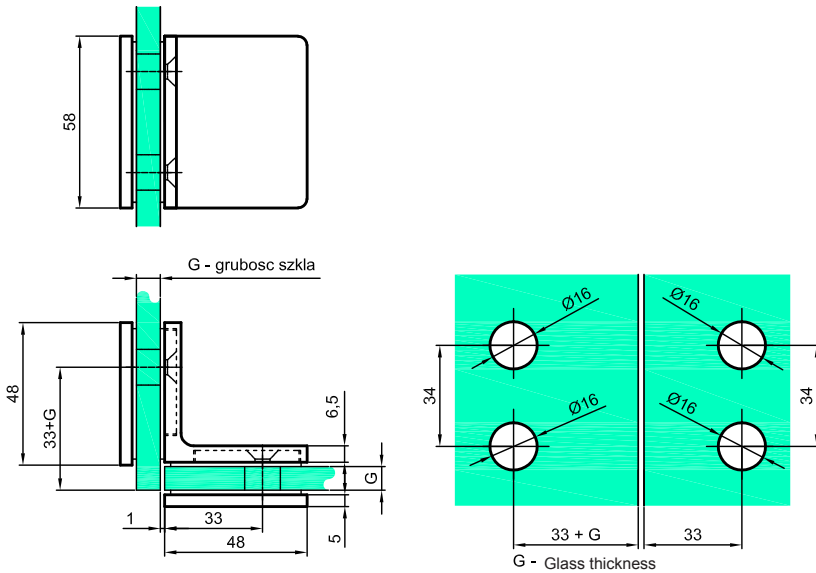
VER-901-B



Product code	finish
VER-901-B	anode black matte
Properties	
Glass thickness	8-12mm
Material	
	brass

Connector glass-glass 90° VERONA

VER-902-B

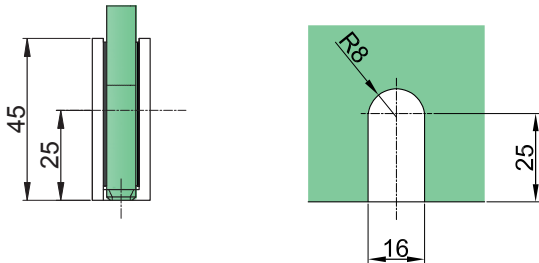


Product code	wykończenie
VER-902-B	anode black matte
Properties	
Glass thickness	8-12mm
Material	
	brass

„Black Series” hardware

Connector wall-glass

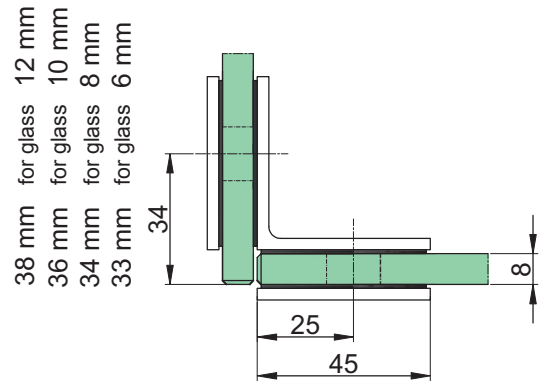
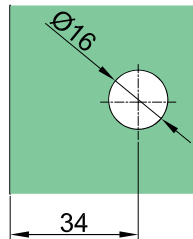
NTL4000D1-B



Product code	finish
NTL4000D1-B	anode black matte
Properties	
Glass thickness	8-12mm
Material	brass

Connector glass-glass 90°

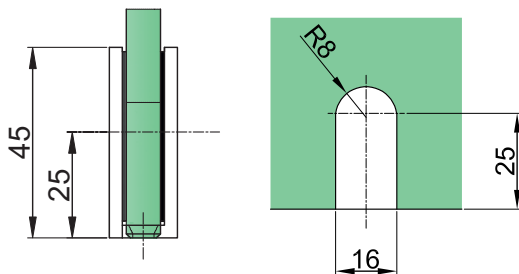
NTL4090-B



Product code	finish
NTL4090-B	anode black matte
Properties	
Glass thickness	8-12mm
Material	brass

Connector wall-glass

NTL7000D1-B

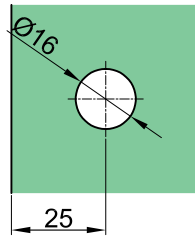
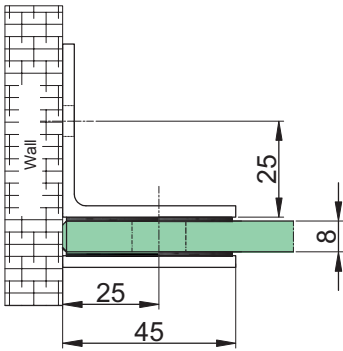


Product code	finish
NTL7000D1-B	anode black matte
Properties	
Glass thickness	8-12mm
Material	brass

„Black Series” hardware

Connector wall-glass 90°

NTL7090D-B



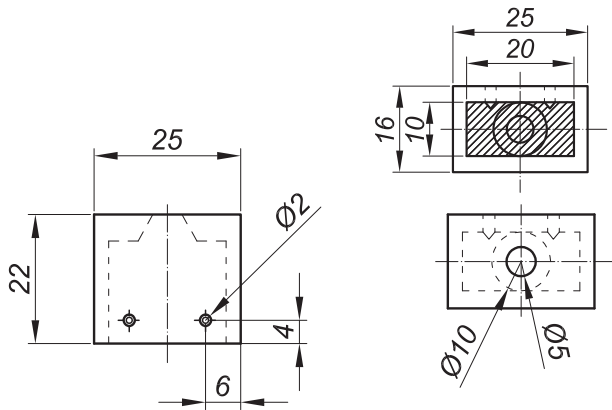
Product code	finish
NTL7090D-B	anode black matte
Properties	
Glass thickness	8-12mm
Material	brass

Mounting wall-railing 90°

NTKSQ807-B

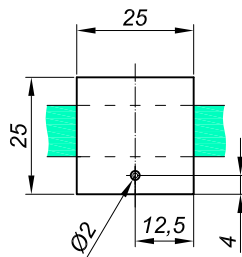
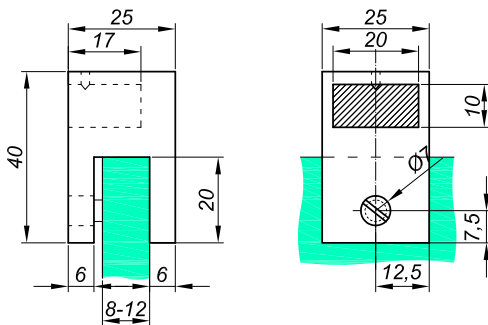


Product code	finish
NTKSQ807-B	anode black matte
Properties	
Material	brass



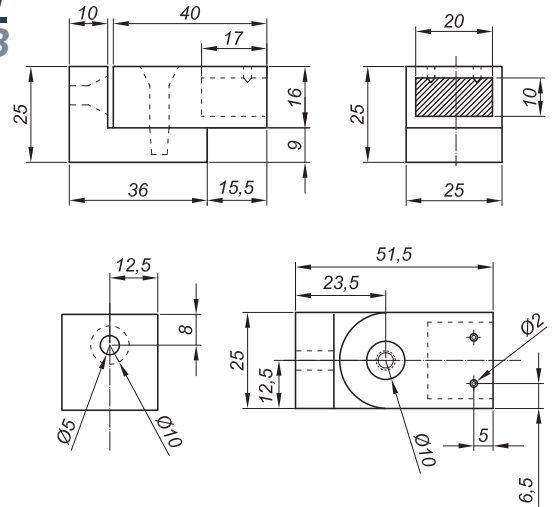
Mounting railing-glass blind 90°

NTKSQ817-B



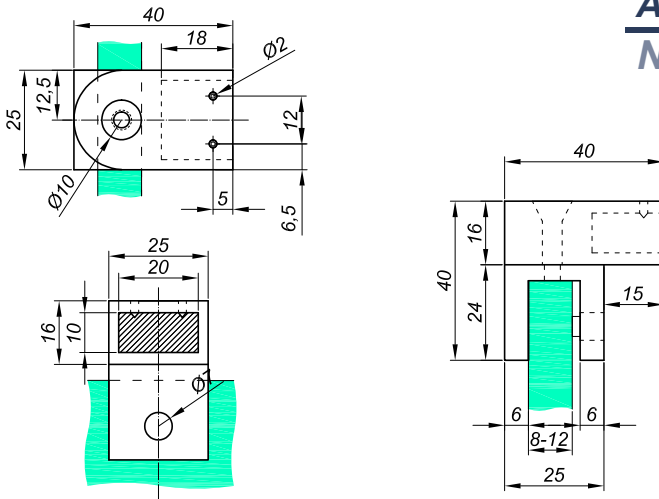
Product code	finish
NTKSQ817-B	anode black matte
Properties	
Material	brass

Adjustable mounting wall-railing
NTKSQ819-B



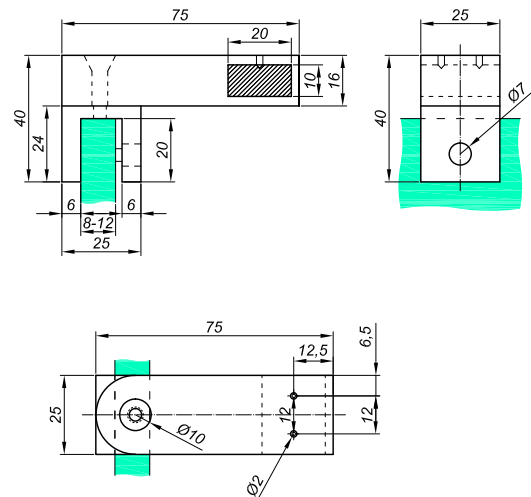
Product code	finish
NTKSQ819-B	anode black matte
Properties	
Material	brass

Adjustable mounting railing-glass
NTKSQ820-B



Product code	finish
NTKSQ820-B	anode black matte
Properties	
Material	brass

Side mountingthrough railing-glass
NTKSQ821-B

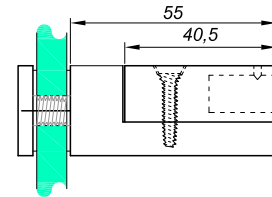
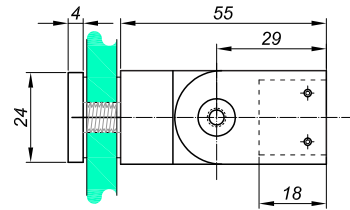
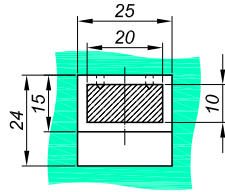


Product code	finish
NTKSQ821-B	anode black matte
Properties	
Material	brass

„Black Series” hardware

Adjustable mounting railing-glass

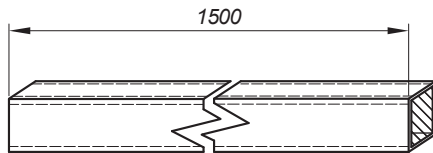
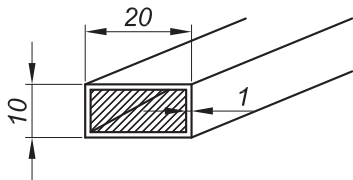
NTKSQ822-B



Product code	finish
NTKSQ822-B	anode black matte
Properties	
Glass thickness	8-12mm
Material	brass

Railing 10x20mm

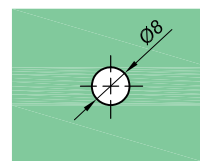
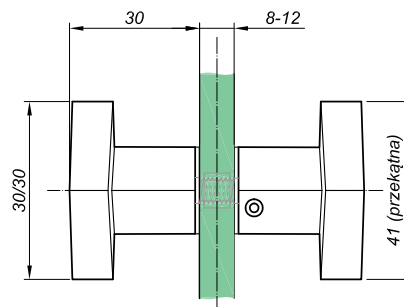
NTK1020-1500-B



Product code	finish
NTK1020-1500-B	anode black matte
Properties	
Material	brass

Door knob

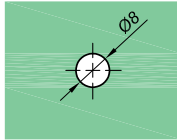
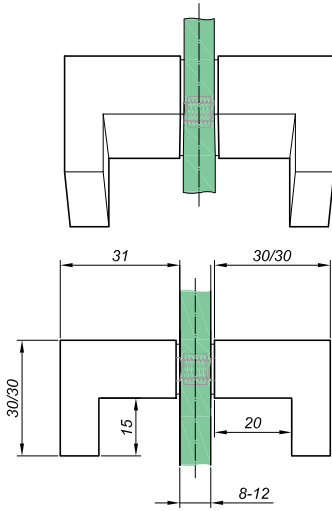
NLO-GŁ-51-B



Product code	finish
NLO-GŁ-51-B	anode black matte
Properties	
Glass Thickness	6-12mm
Material	brass

Door knob

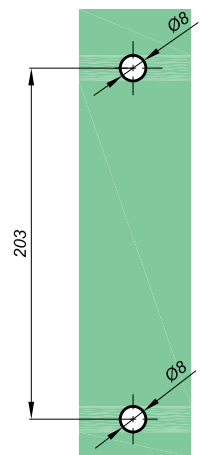
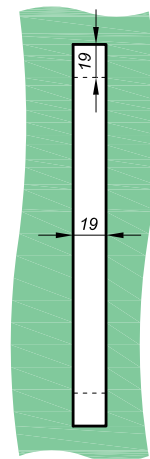
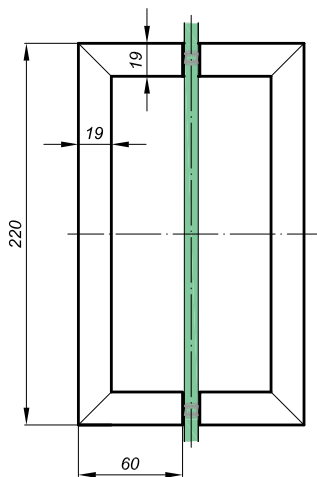
NLO-GŁ-52-B



Product code	finish
NLO-GŁ-52-B	anode black matte
Properties	
Glass Thickness	6-12mm
Material	brass

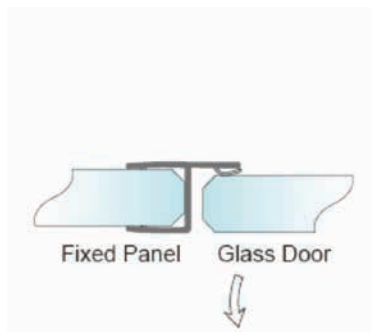
Door handle type C

NLO-ZD-2856-B



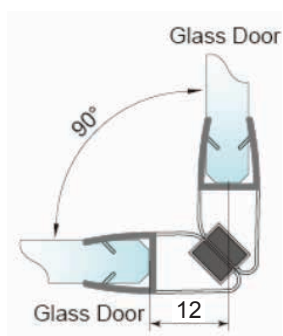
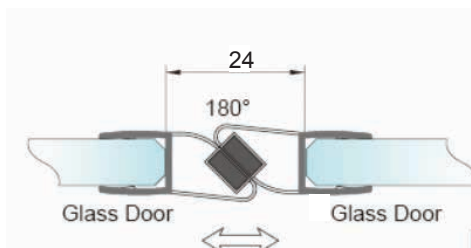
Product code	finish
NLO-ZD-2856-B	anode black matte
Properties	
Hole diameter in Glass	8mm
Material	stainless steel
Total length	220mm
Door handle gauge	19x19mm

Rigid leaf seal
NLO-KP-2900



Product code	Glass Thickness
NLO-KP-2900-6-2,5	6mm
NLO-KP-2900-8-2,5	8mm
Properties	
length	2,5m

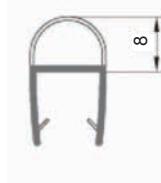
Magnetic seal 90°/180°
NLO-KP-2909



Product code	finish
NLO-KP-2909-8-2,5-B	anode black matte
Properties	
Glass thickness	8mm
length	2,5 m

Blister seal

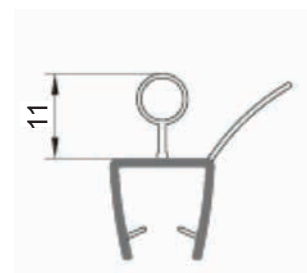
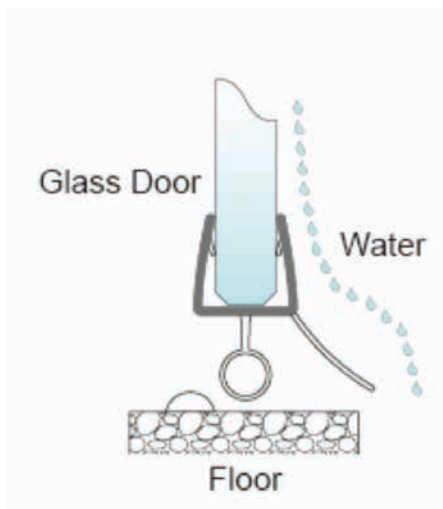
NLO-KP-2910



Product code	finish
NLO-KP-2910-8-2,5-B	anode black matte
Properties	
Glass thickness	8mm
Length	2,5 m

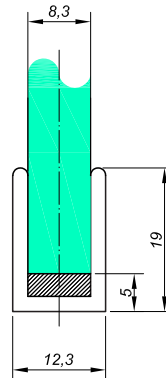
Glass-floor seal

NLO-KP-2913



Product code	finish
NLO-KP-2913-8-2,5-B	anode black matte
Properties	
Glass thickness	8mm
Length	2,5 m

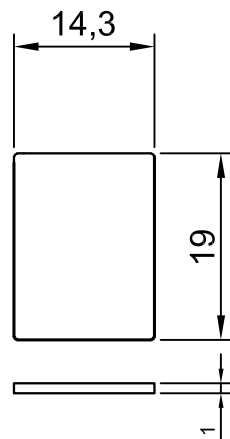
Aluminum profile „U”
NLO-KP-2961



Product code	Length	finish
NLO-KP-2961-B	2500mm	anode black matte

Properties

Material	aluminum
Glass thickness	8mm



Blinder for the profile “U”
NLO-KP-2961-Z-B



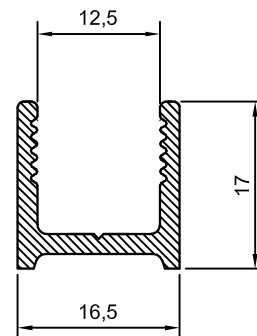
Product code	finish
NLO-KP-2961-Z-B	anode black matte

Properties

Material	stainless steel
----------	-----------------

Profile “U”

NLO-KP-3000



Product code	Length	finish
NLO-KP-3000-B	2500mm	anode black matte

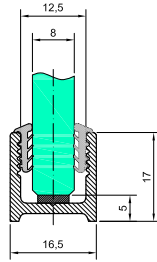
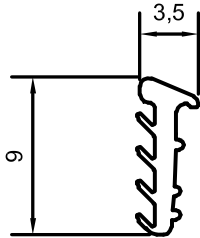
Properties

Material	aluminum
Glass thickness	8-12mm

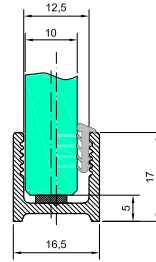
„Black Series” hardware

Seal for the profile NLO-KP-3000

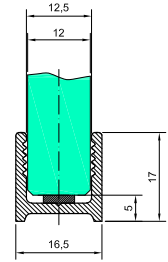
NLO-KP-3000-8



Glass 8mm



Glass 10mm

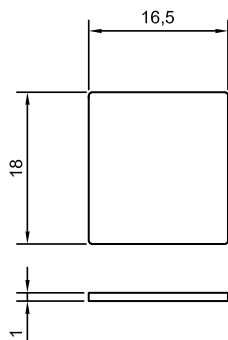


Glass 12mm

Product code	finish
NLO-KP-3000-8	colorless
NLO-KP-3000-8-B	black matte
Properties	
Material	PVC

Blinder for the profile „U”

NLO-KP-3000-Z-B



Product code	finish
NLO-KP-3000-Z-B	anode black matte
Properties	
Material	stainless steel

SLIDING SYSTEM S003-B



SLIDING SYSTEM „Black Series”

Equipment for the sliding system

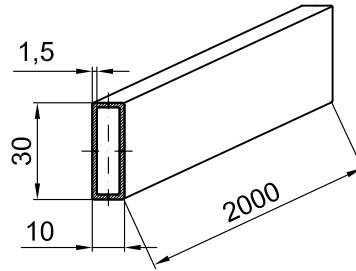
NLO-DP-03-S003-B



Product code	finish	Equipment for one set	
NLO-DP-03-S003-B	anode black matte	sliding roller	2pcs
Properties		Connector of the pipe to the wall	2pcs
Maximal door weight	65kg	Connector glass panel with tube	2pcs
Glass thickness	8-12mm	End-stopper	2pcs
Material	stainless steel	Down end-stopper	2pcs
Maximal length	2000mm	Handle	1pcs
		Guides	1pcs
		Attention: Needs to be drilled holes diameter 10mm in tube	

Runner pipe

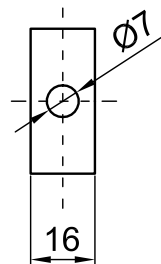
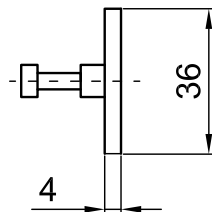
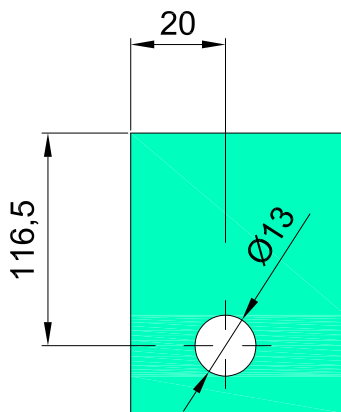
NLO-DP03-S003-8-2-B



Product code	length	finish
NLO-DP03-S003-8-2-B	2000mm	anode black matte
Properties		
Material	stainless steel	

Connector for fixed perpendicular panel with the pipe

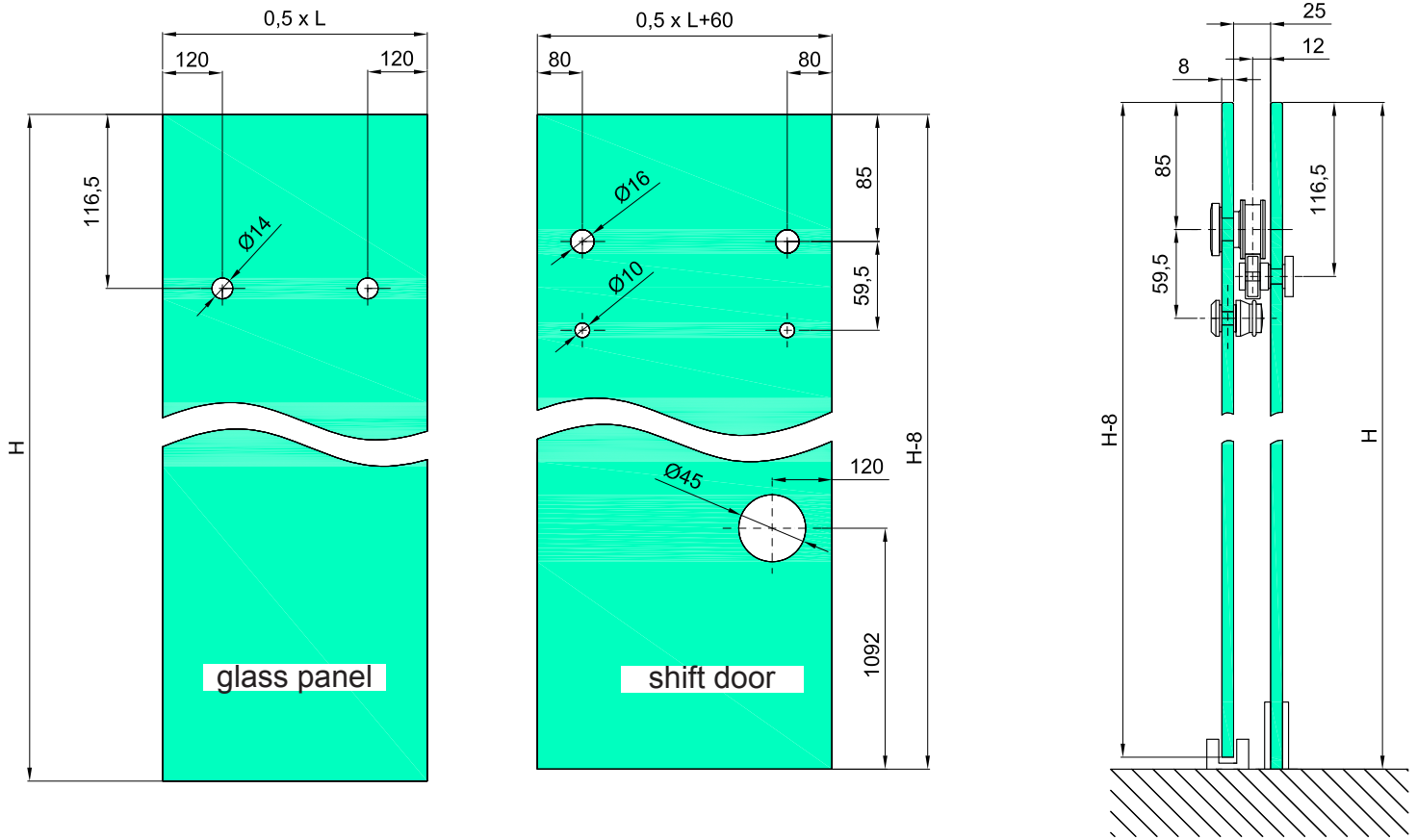
NPC1213-B



Product code	finish
NPC1213-B	anode black matte
Properties	
Material	stainless steel

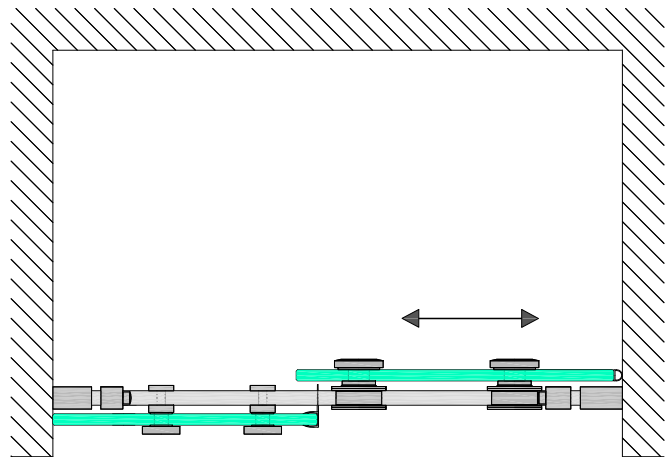
SLIDING SYSTEM „Black Series”

Glass preparing schema System S003



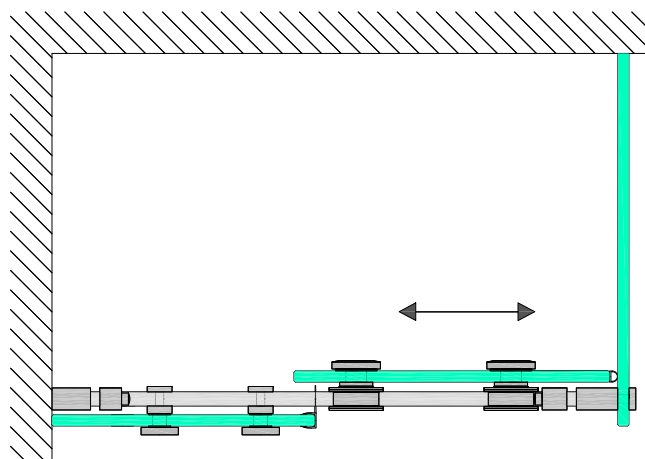
Construction solution nr 1

Recess Shower - single sliding door



Construction solution nr nr 2

Corner Shower - single sliding door



2018 PRODUCT CATALOG

NORGPOL Czerwiński S.J
02-867 Warszawa
ul. Baletowa 104
tel.: +48 22 33 15 400
fax.: +48 22 33 15 444
biuro@cglass.pl
www.cglass.pl

NORGPOL

ZAOPATRZENIE DLA PRZEMYSŁU

CGLASS

OKUCIA DO SZKŁA