

CGLASS

OKUCIA DO SZKŁA

Aluminiowe profile do biurowych ścian szklanych

SERIA **CGLASS**[®] OFFICE

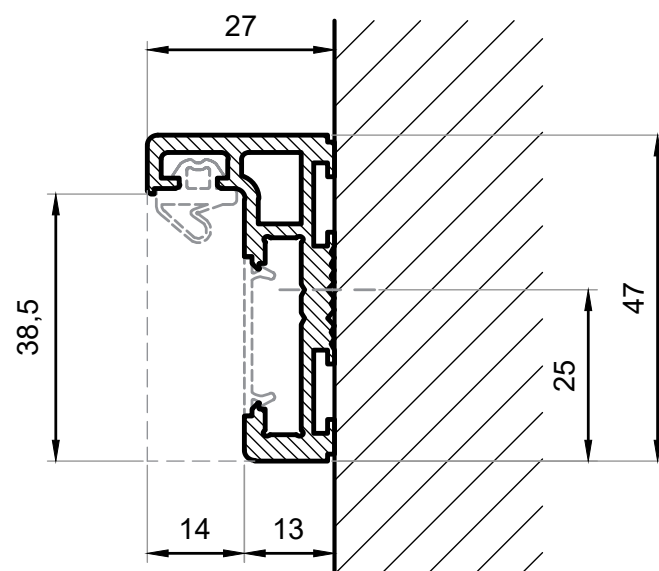
NEW !!!

CGLASS[®] OFFICE

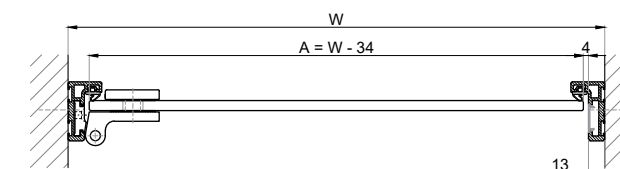
ALUMINIUM DOOR FRAME INTEGRATED WITH HINGES

SYSTEM OFC-2

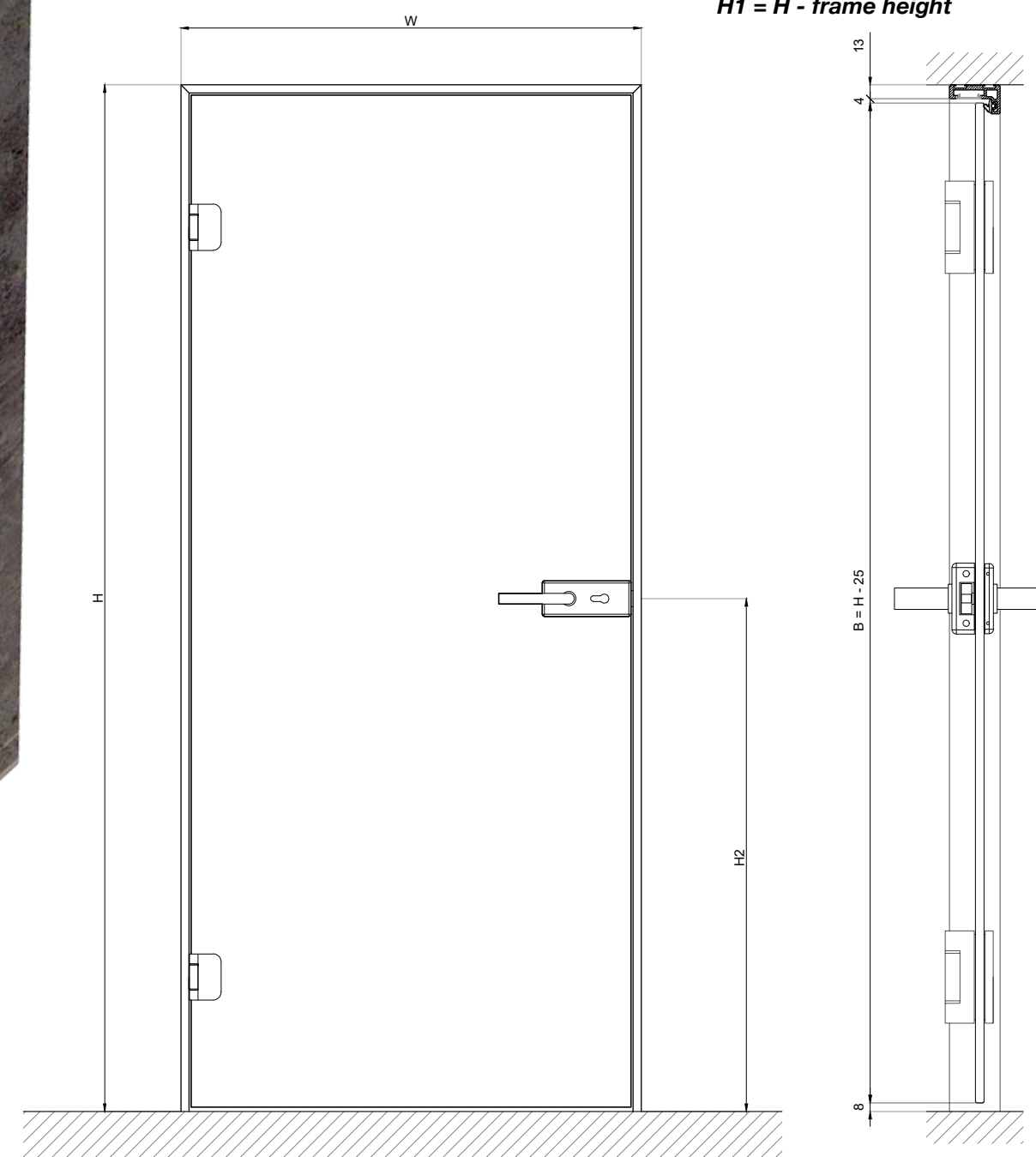
Door frame OFC-2



Dimensioning OFC-2



A - door width
B - door height
W - base width
W1 = *W* - frame width
H - base height
H1 = *H* - frame height



symbol	finish
OFC-2-NA	silver anodized
OFC-2-SS	INOX anodized
OFC-2-B	black anodized
properties	
thickness of glass door	8-10mm
length profile	600cm
material	aluminium
Max. width of door	2400mm

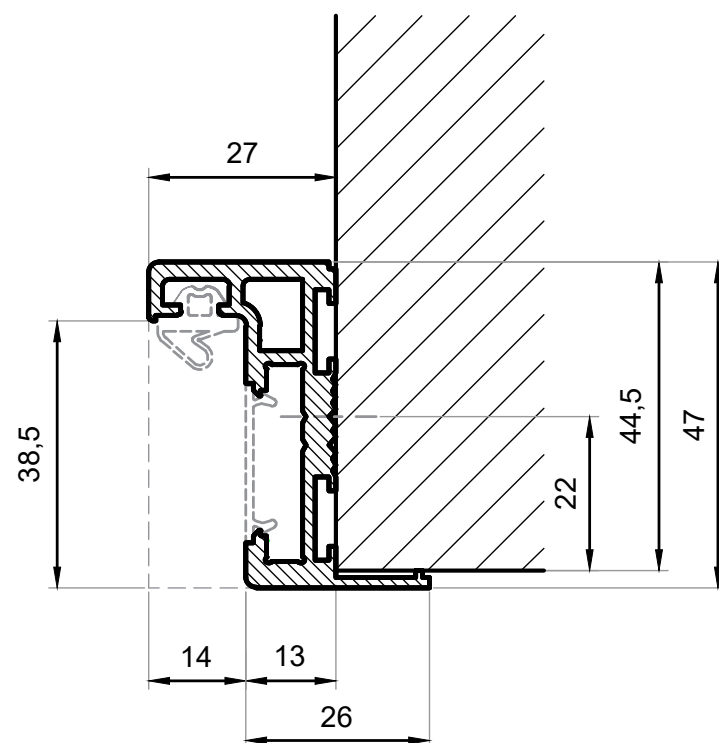
Above a height of 2200mm, it is recommended to use 3 hinges

CGLASS® OFFICE

ALUMINIUM DOOR FRAME INTEGRATED WITH HINGES

NEW !!!

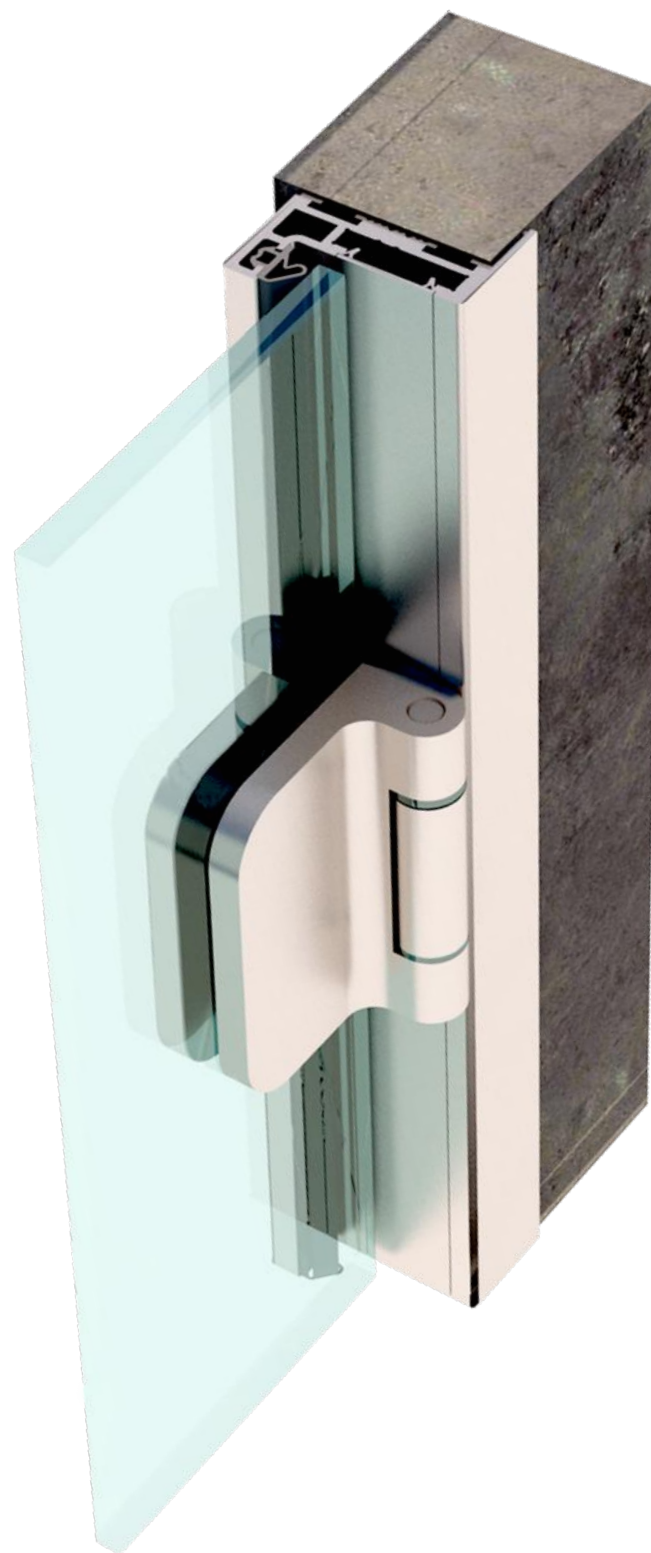
Door frame OFC-2



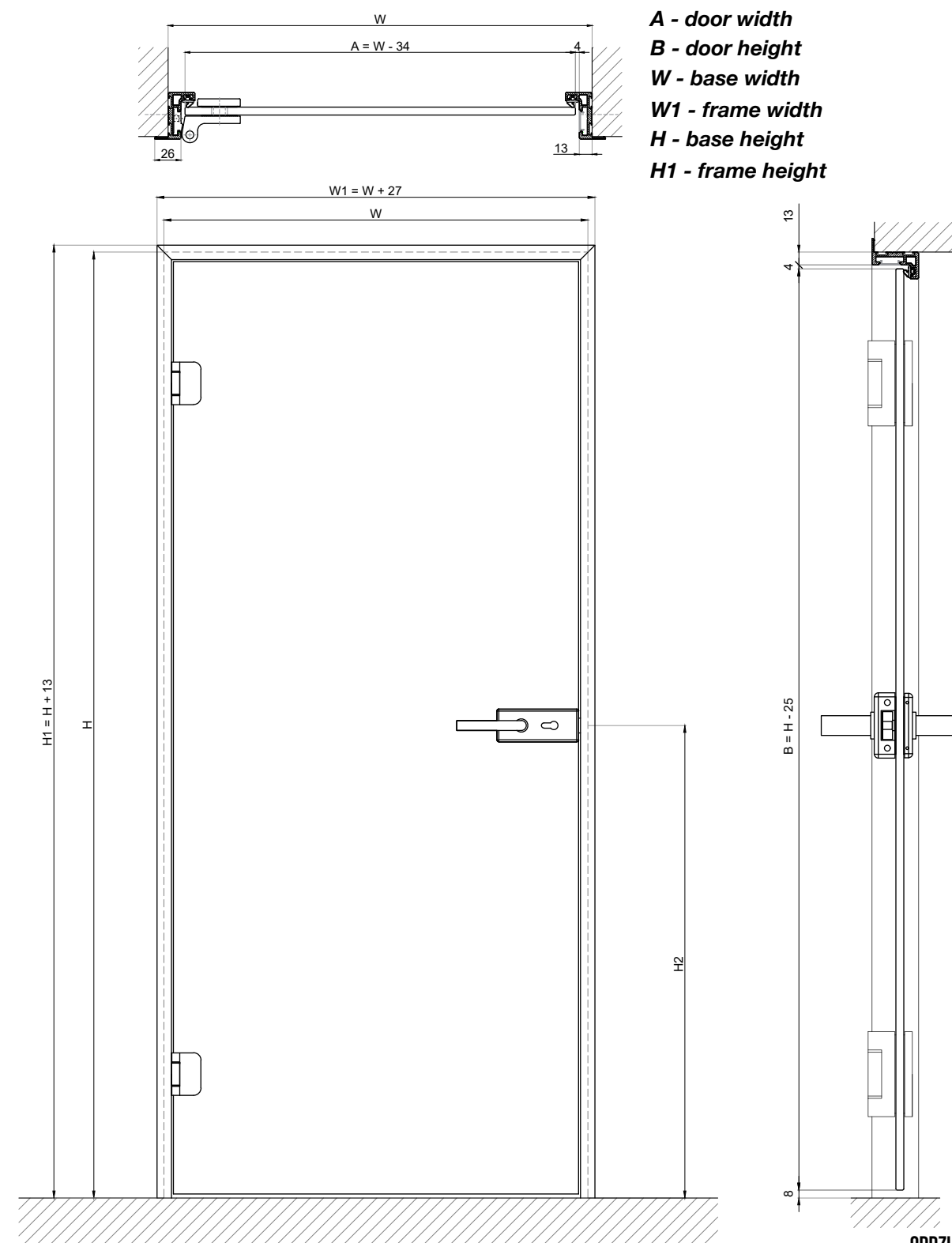
symbol	finish
OFC-3-NA	silver anodized
OFC-3-SS	INOX anodized
OFC-3-B	black anodized
properties	
thickness of glass door	8-10mm
length profile	600cm
material	aluminium
Max. width of door	2400mm

Above a height of 2200mm, it is recommended to use 3 hinges

SYSTEM OFC-3



Dimensioning OFC-3



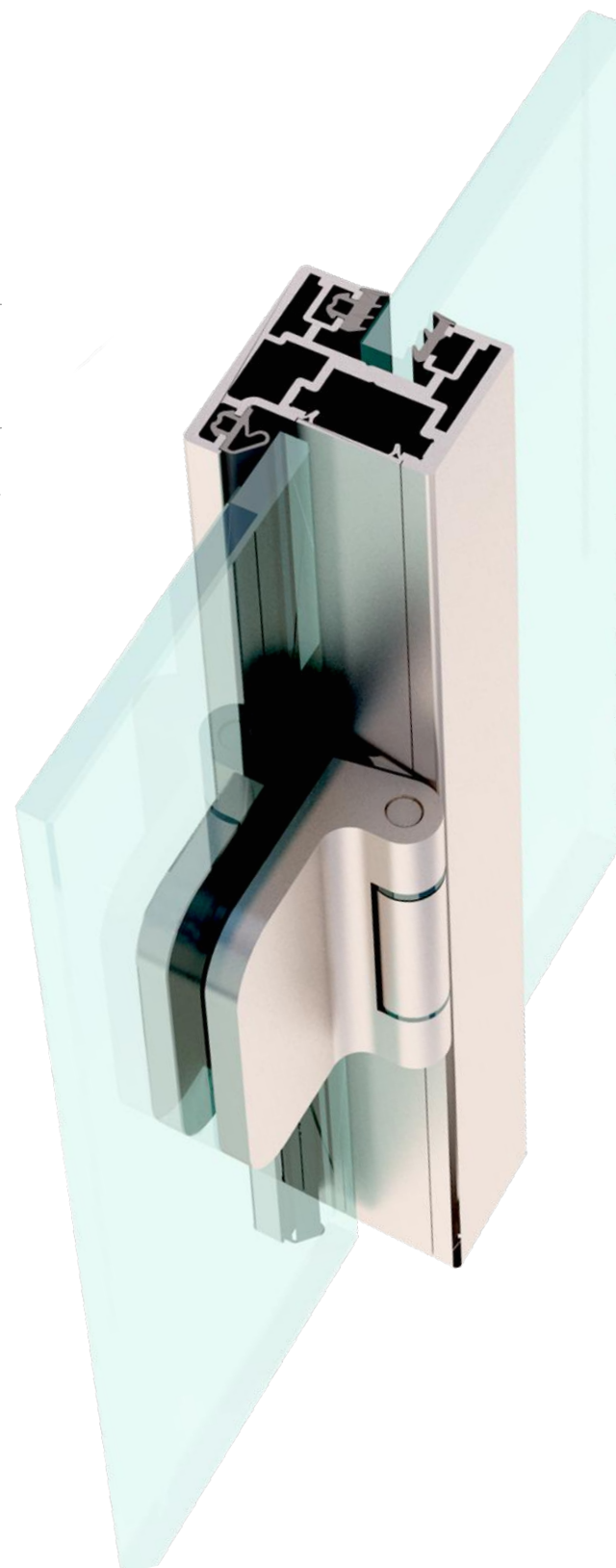
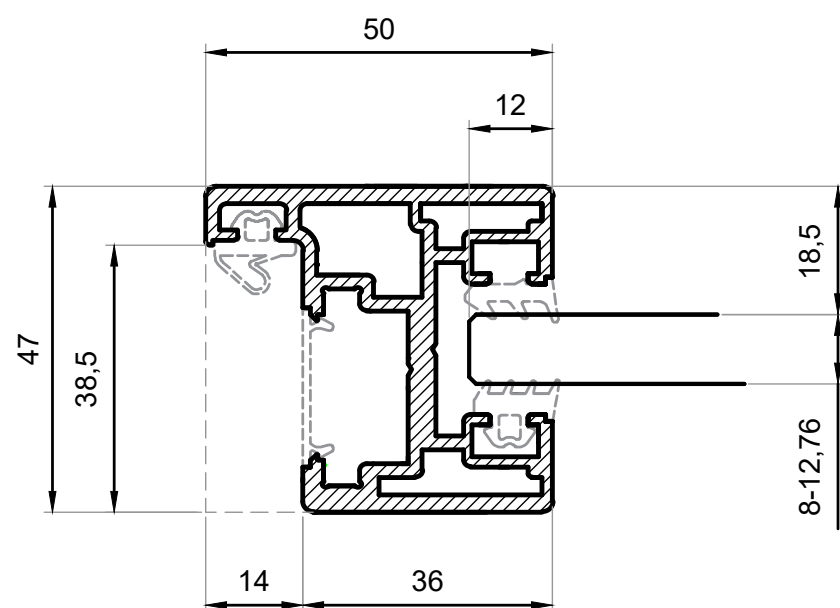
A - door width
B - door height
W - base width
W1 - frame width
H - base height
H1 - frame height

CGLASS[®] OFFICE

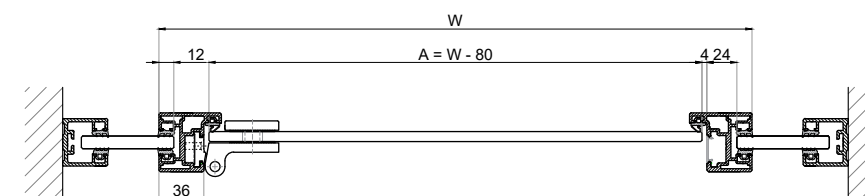
ALUMINIUM DOOR FRAME INTEGRATED WITH HINGES

NEW !!!

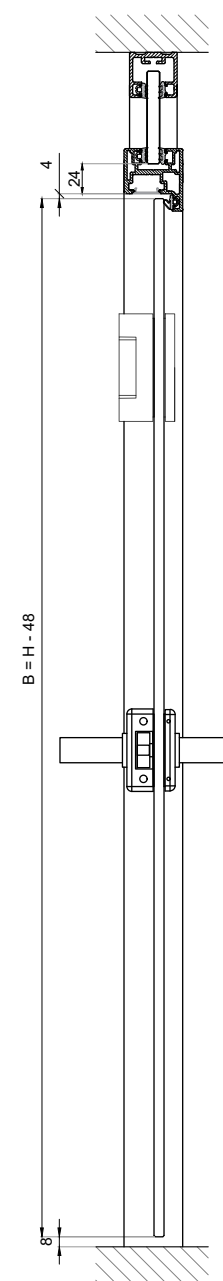
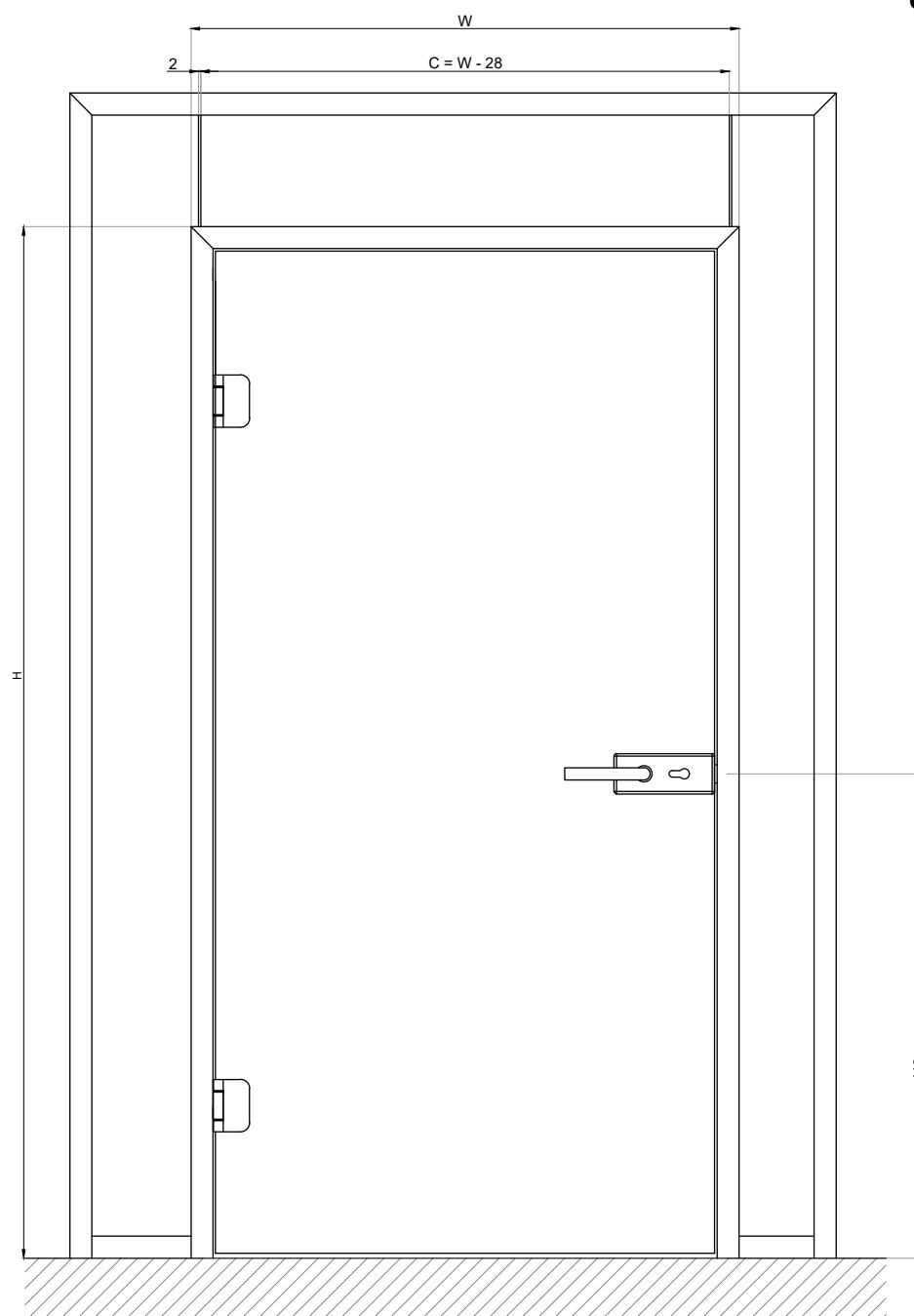
Door frame OFC-4



Dimensioning OFC-4



A - door width
B - door height
W - base width
H - base height
C - glass upper panel width



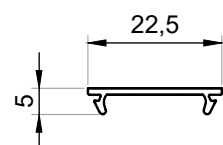
symbol	finish
OFC-4-NA	silver anodized
OFC-4-SS	INOX anodized
OFC-4-B	black anodized
properties	
thickness of glass door	8-10mm
thickness of glass panel	8-12,76mm
length frame	600cm
material	aluminium
Max. height of door	2400mm

Above a height of 2200mm, it is recommended to use 3 hinges

NEW !!!

CGLASS® OFFICE AKCESORIA

Cover of door frame OFC-M



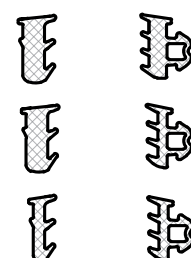
symbol	finish
OFC-M-NA	silver anodized
OFC-M-SS	INOX anodized
OFC-M-B	black anodized
properties	
length	600cm
material	aluminium

Base seal OFC-V



symbol	glass thickness	colour
OFC-V-8-G	8mm	gray
OFC-V-8-B	8mm	black
OFC-V-10-G	10mm	gray
OFC-V-10-B	10mm	black
properties		
material	PVC	

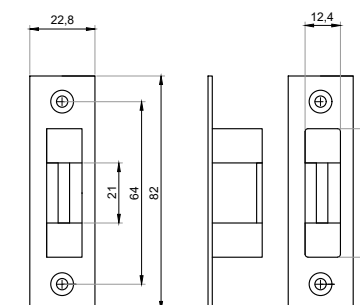
Seals of glass panels OFC-V



szkło 8mm
szkło 10-10,76mm
szkło 12-12,76mm

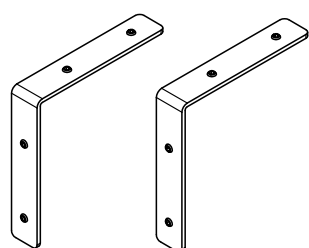
symbol	glass thickness	colour
CLM-8-G	8mm	gray
CLM-8-B	8mm	black
CLM-10-G	10-10,76mm	gray
CLM-10-B	10-10,76mm	black
CLM-12-G	12-12,76mm	gray
CLM-12-B	12-12,76mm	black
properties		
material	PVC	

Strike plate for magnetic lock OFC-00-M-SS



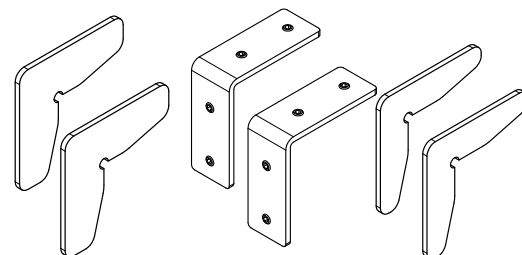
symbol	finish
OFC-00-M-SS	satyna
properties	
material	stainless steel

Corners OFC-2/3-KIT



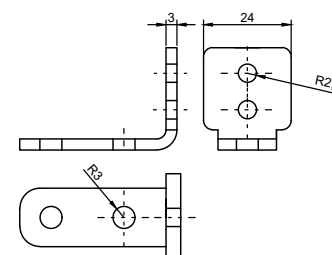
symbol	
OFC-2/3-KIT	
properties	
material	stainless steel
Set contains elements visible in the picture	

Corners OFC-4-KIT



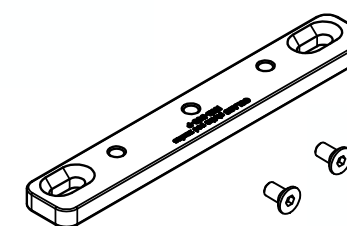
symbol	
OFC-4-KIT	
properties	
material	stainless steel
Set contains elements visible in the picture	

Corner for fixing frame to the floor OFC-4-KIT



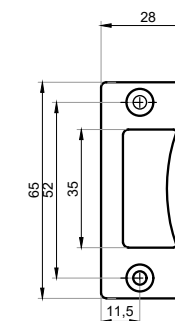
symbol	
OFC-4-K	
properties	
material	stainless steel
Set contains elements visible in the picture	

Plate for fixing hinge in OFC-4 NTZ-500-P



symbol	finish
OFC-M-NA	silver anodized
OFC-M-SS	INOX anodized
OFC-M-B	black anodized
properties	
length	600cm
material	aluminium

Strike plate NTP-02-SS



symbol	finish
NTP-02-SS	satyn
properties	
material	stainless steel

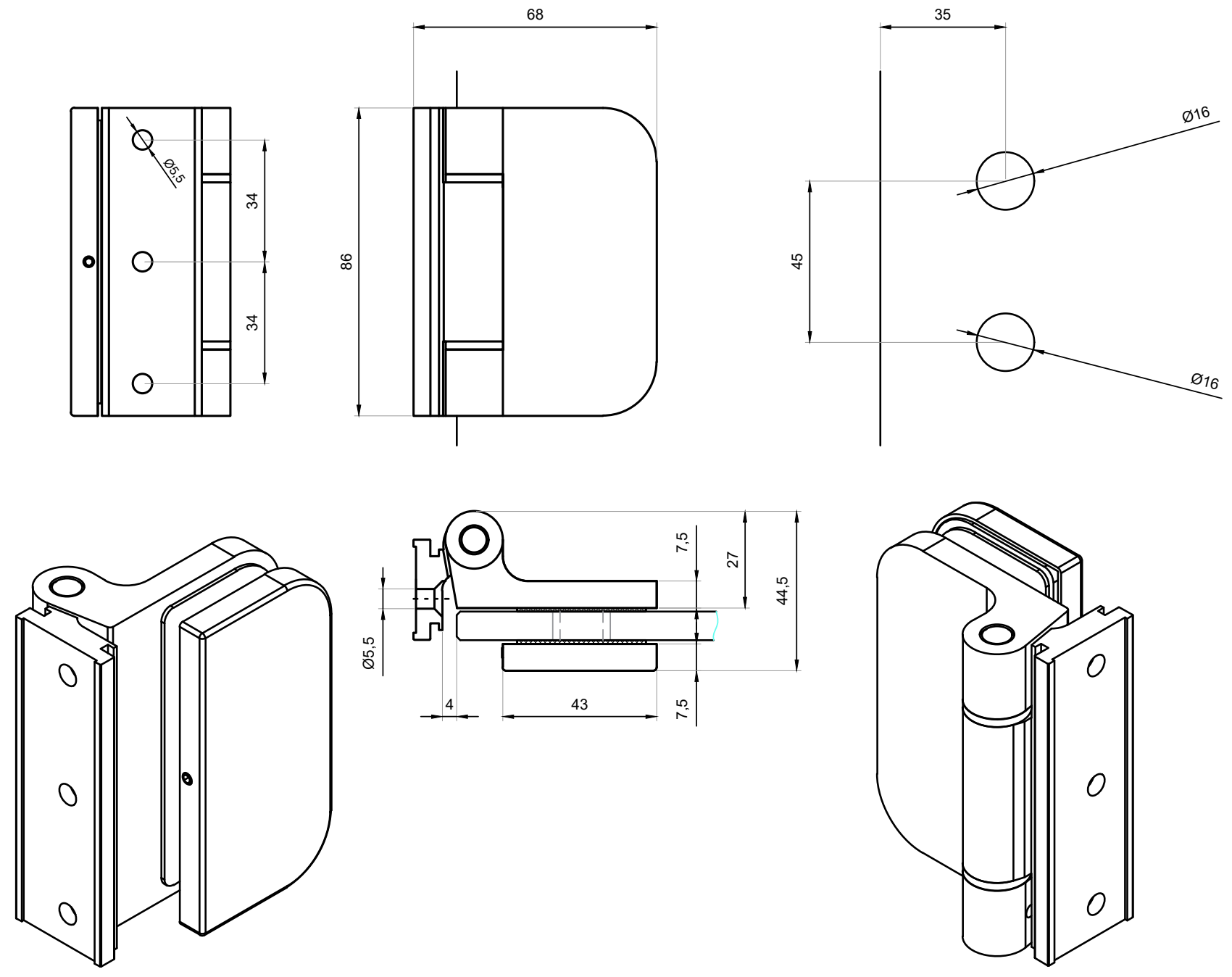
NEW !!!

CGLASS® OFFICE
Hinge integrated with frames OFC

NTZ-500

PATENT

Hinge
NTZ-500



symbol	finish
NTZ-500-NA	silver anodized
NTZ-500-SS	INOX anodized
NTZ-500-B	black anodized
properties	
grubość drzwi szklanych	8-10mm
material	aluminium
Max. height of door	2400mm

Above a height of 2200mm, it is recommended to use 3 hinges

CGLASS[®] OFFICE

Hinge integrated with frames OFC

NEW !!!

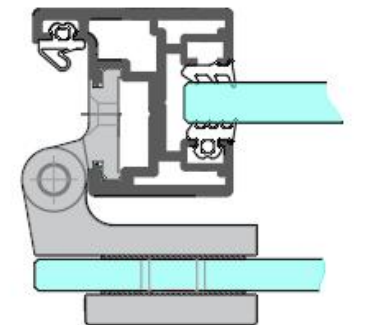
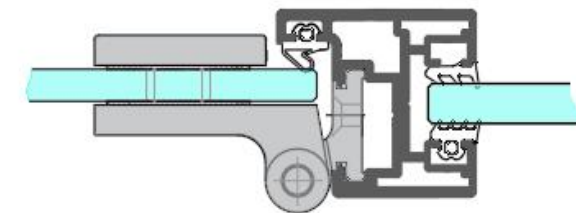
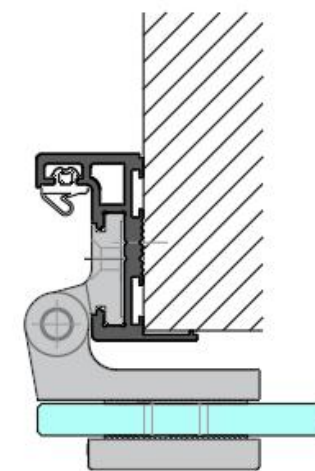
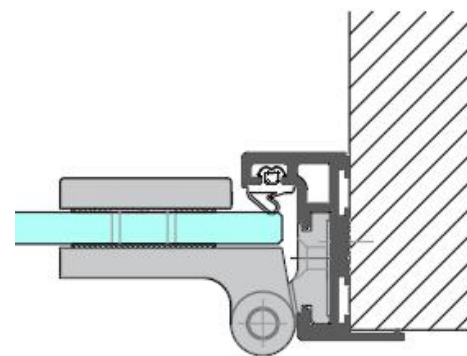
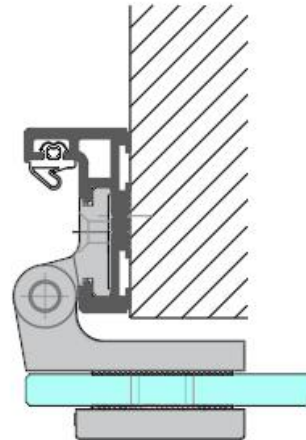
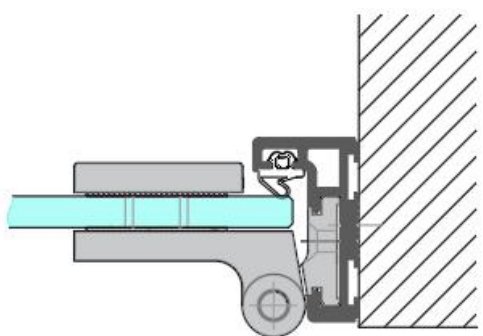
OFC-2 + NTZ-500



OFC-3 + NTZ-500



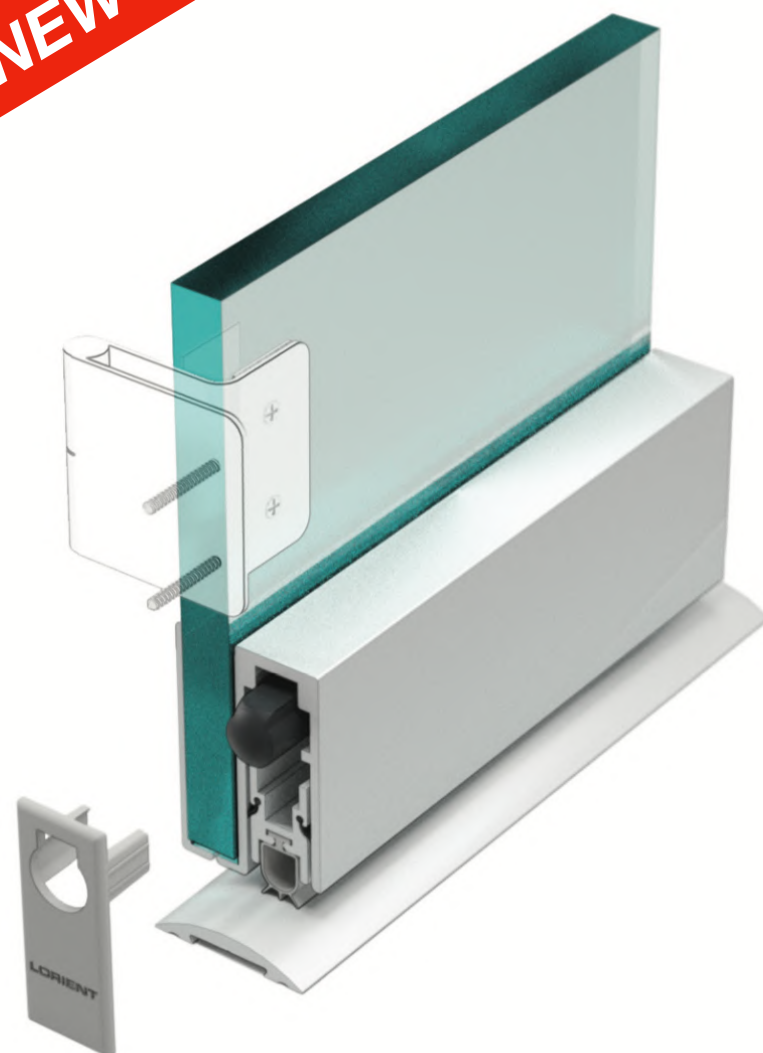
OFC-4 + NTZ-500



CGLASS® OFFICE

Drop down seal for glass door

NEW !!!



OFC-DS

Specification:

Durability: 1,000,000 cycles

Tested for acoustic properties in accordance with BS EN ISO 10140-2: 2010

Meets smoke-tight requirements included in the BS 9999: 2017 standard

Application: Single-leaf door

For use in right and left doors

Maximum / minimum gap between the floor and the bottom edge of the door:
1-10mm

Gasket material: silicone

Standard lengths: 935 mm and 1035 mm. Another dimension available after consultation with the sales department

The assembly takes place using self-adhesive tape

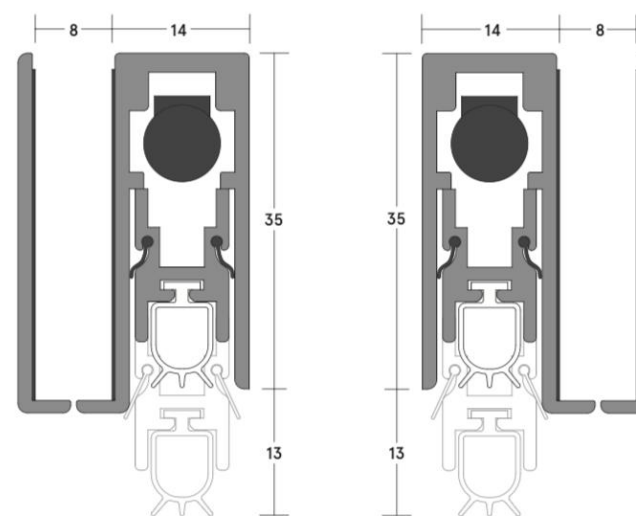
symbol	direction of door	length	finish
OFC-DS-R-935-NA	right	935mm	silver anodized
OFC-DS-R-935-SS	right	935mm	INOX anodized
OFC-DS-L-935-NA	left	935mm	silver anodized
OFC-DS-L-935-SS	left	935mm	INOX anodized
OFC-DS-R-1035-NA	right	1035mm	silver anodized
OFC-DS-R-1035-SS	right	1035mm	INOX anodized
OFC-DS-L-1035-NA	left	1035mm	silver anodized
OFC-DS-L-1035-SS	left	1035mm	INOX anodized

properties

glas thickness 8-12mm

material aluminium

It is allowed to shorten the strip by 100 mm from the side without the button



Right door

Left door

When ordering, specify the direction of the door in which the strip will be used.

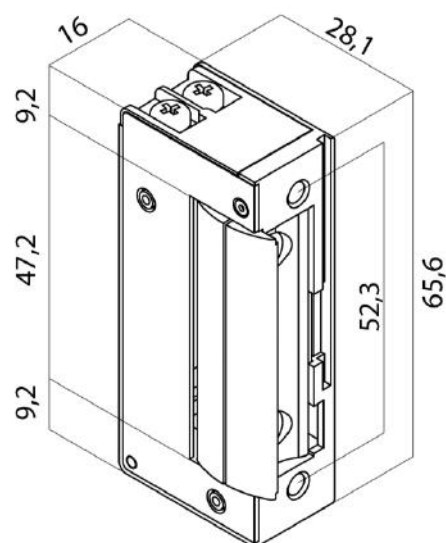
CGLASS® OFFICE

Electric strike lock

OFC-ES

NEW !!!

Electric strike lock slim OFC-ES



Specification:

Guaranteed durability: 300,000 cycles (AC power, 120N lateral force)

Max. lateral force (side-load) when supplied with DC voltage: 10N

Breaking strength: 5,000 N

Dynamic strength: 33 ft lbf

Working temperature: -15 ° C / + 40 ° C

Housing: Made of reinforced Zamak alloy

Adjustment range: 2 mm. Latch depth: 5.4 mm

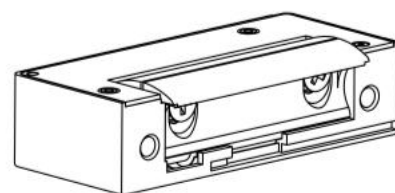
Warranty 3 years

Compliance with the 2004/108 / CE standard (EN 55014)

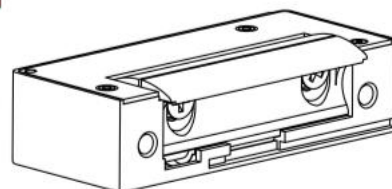
Corrosion resistance according to UNI ISO 9227

Technical data of the power coil:

12 V dc ∞
(42 Ω 0,27A)

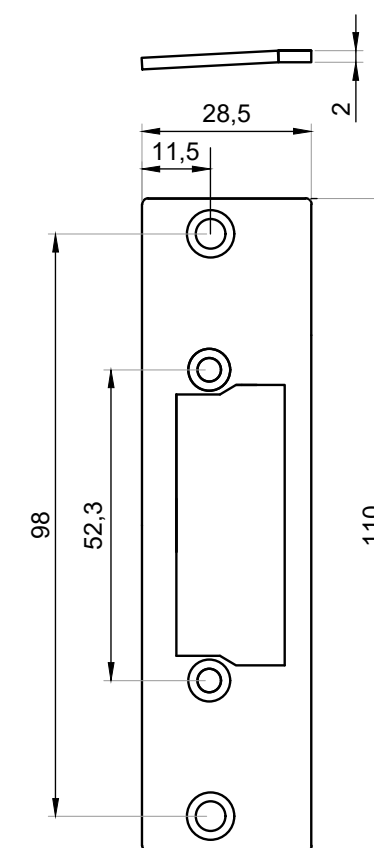


Standardowy



Rewersyjny

Strike plate OFC-ES-P-SS



symbol	type
OFC-ES-ST	Standard
OFC-ES-REV	Reverse
properties	
tension	12 V dc
material	Zamak
Application	left/right door

symbol	finish
OFC-ES-P-SS	satyna
properties	
material	stainless steel
Fitted to the frame profiles system OFC	

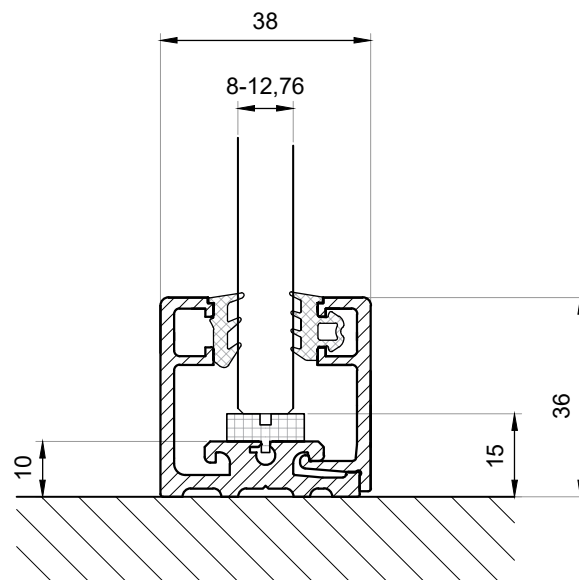
CGLASS® OFFICE

MOUNTING PROFILE FOR GLASS WALLS

NEW !!!

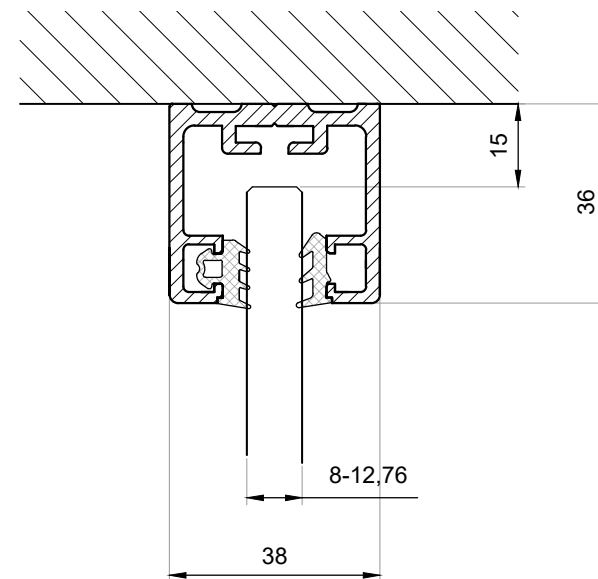
CLM-3638

**Mounting profile
divided CLM-3638**

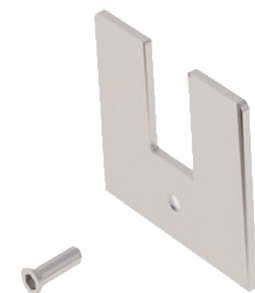


symbol	finish
CLM-3638-AL	raw aluminium
CLM-3638-NA	silver anodized
CLM-3638-SS	INOX anodized
CLM-3638-B	black anodized
properties	
grubość szkła	8-12,76mm
length	300cm / 600cm
materiał	aluminium

**Mounting profile
type „U” CLM-3638-G**



symbol	finish
CLM-3638-AL	raw aluminium
CLM-3638-NA	silver anodized
CLM-3638-SS	INOX anodized
CLM-3638-B	black anodized
properties	
grubość szkła	8-12,76mm
length	300cm / 600cm
materiał	aluminium

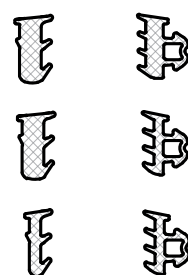


CGLASS[®] OFFICE

MOUNTING PROFILE FOR GLASS WALLS

NEW !!!

Seals OFC-V



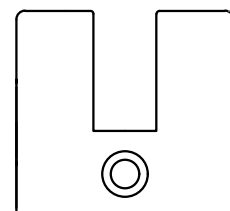
szkło 8mm

szkło 10-10,76mm

szkło 12-12,76mm

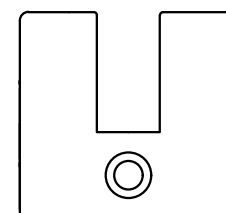
sympo	glass thickness	colour
CLM-8-G	8mm	grey
CLM-8-B	8mm	black
CLM-10-G	10-10,76mm	grey
CLM-10-B	10-10,76mm	black
CLM-12-G	12-12,76mm	grey
CLM-12-B	12-12,76mm	black
properties		
material	PVC	

End cap lower CLM-3638ZG



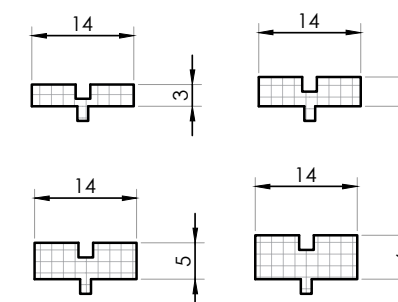
symbol	finish
CLM-3638-ZD-NA	grey
CLM-3638-ZD-SS	satin
properties	
material	stainless steel

End cap upper CLM-3638ZG



symbol	finish
CLM-3638-ZG-NA	grey
CLM-3638-ZG-SS	satin
properties	
material	stainless steel

Spacers OFC-V



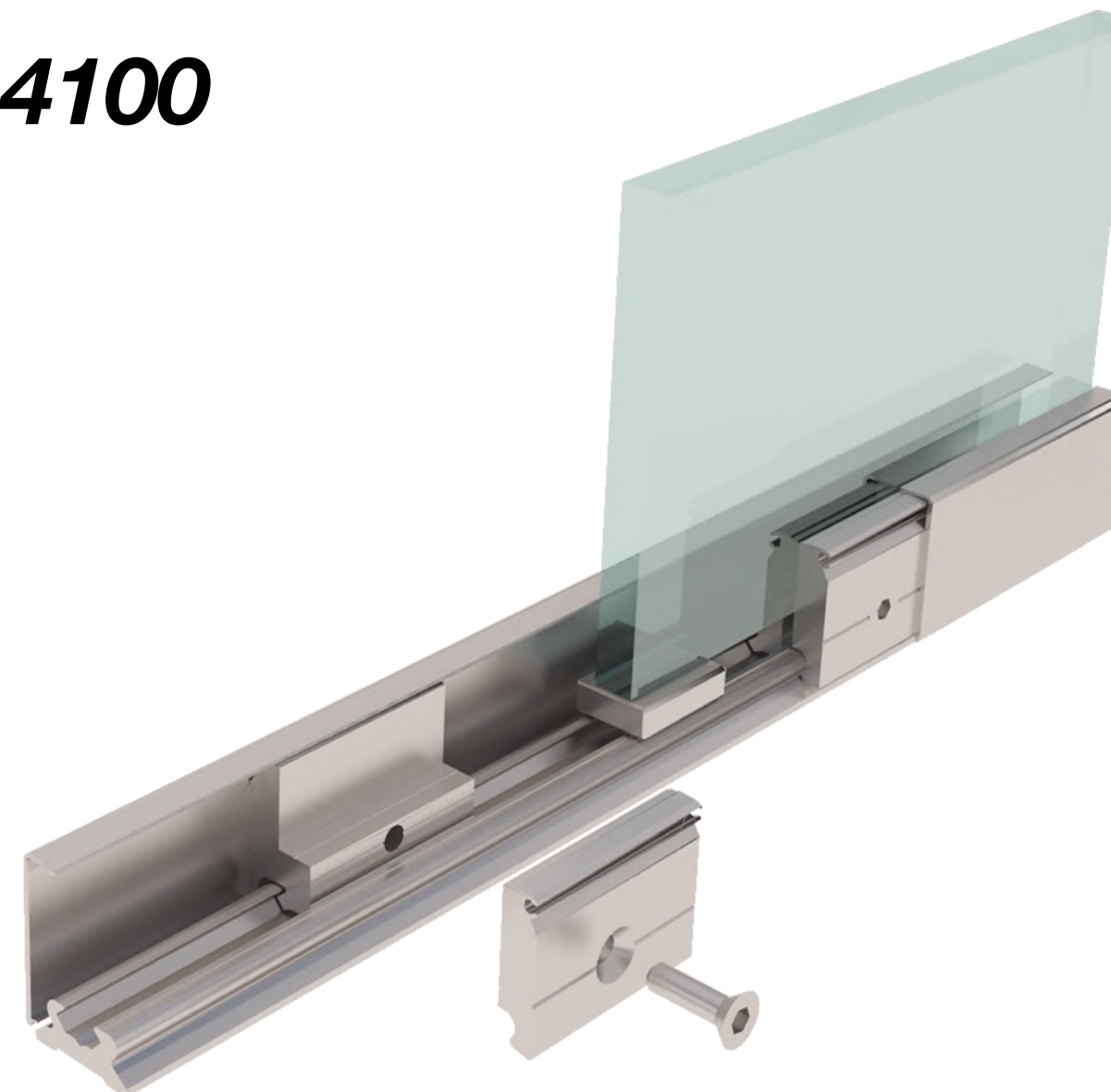
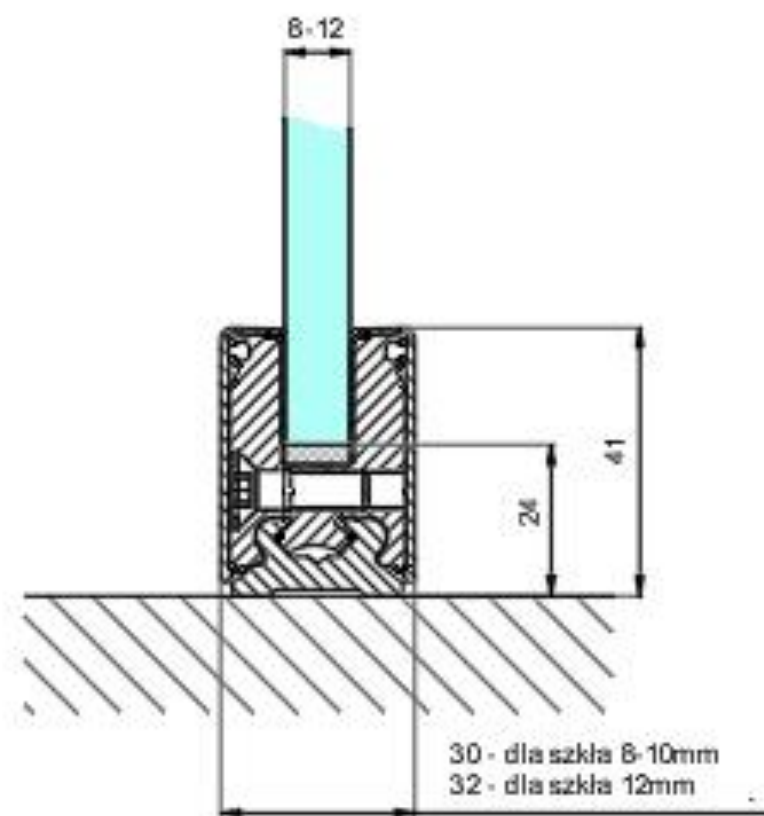
symbol	height
CLM-P3	3mm
CLM-P4	4mm
CLM-P5	5mm
CLM-P6	6mm
properties	
material	ABS
Set consist 10 pieces	

CGLASS® OFFICE

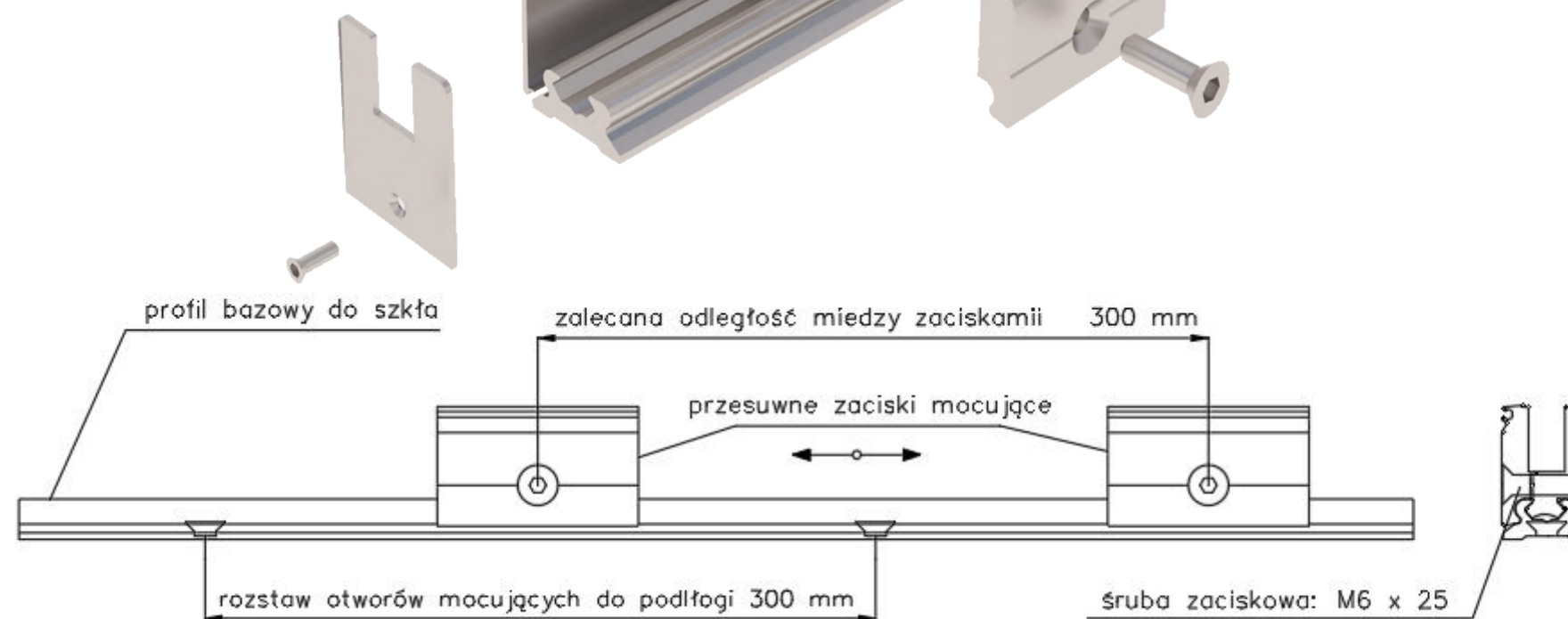
MOUNTING PROFILE FOR GLASS WALLS

NEW !!!

CLM-4100



symbol	glass thickness	finish
CLM-4100-8/10-NA	8-10mm	silver anodized
CLM-4100-8/10-SS	8-10mm	INOX anodized
CLM-4100-12-NA	12mm	silver anodized
CLM-4100-12-SS	12mm	INOX anodized
properties		
length	250cm / 500cm	
material	aluminium	
3pcs clamps for 1 meter profile		

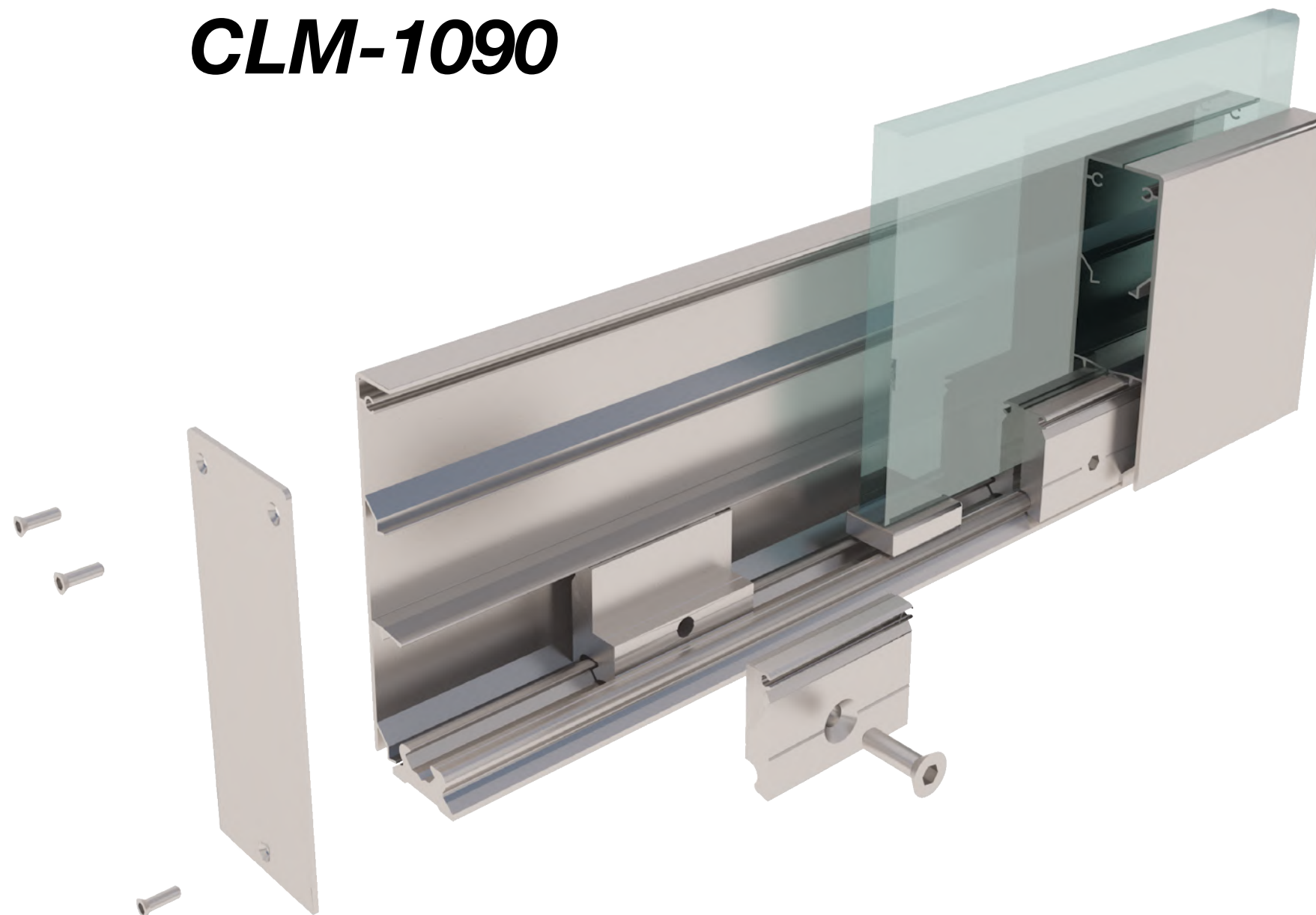
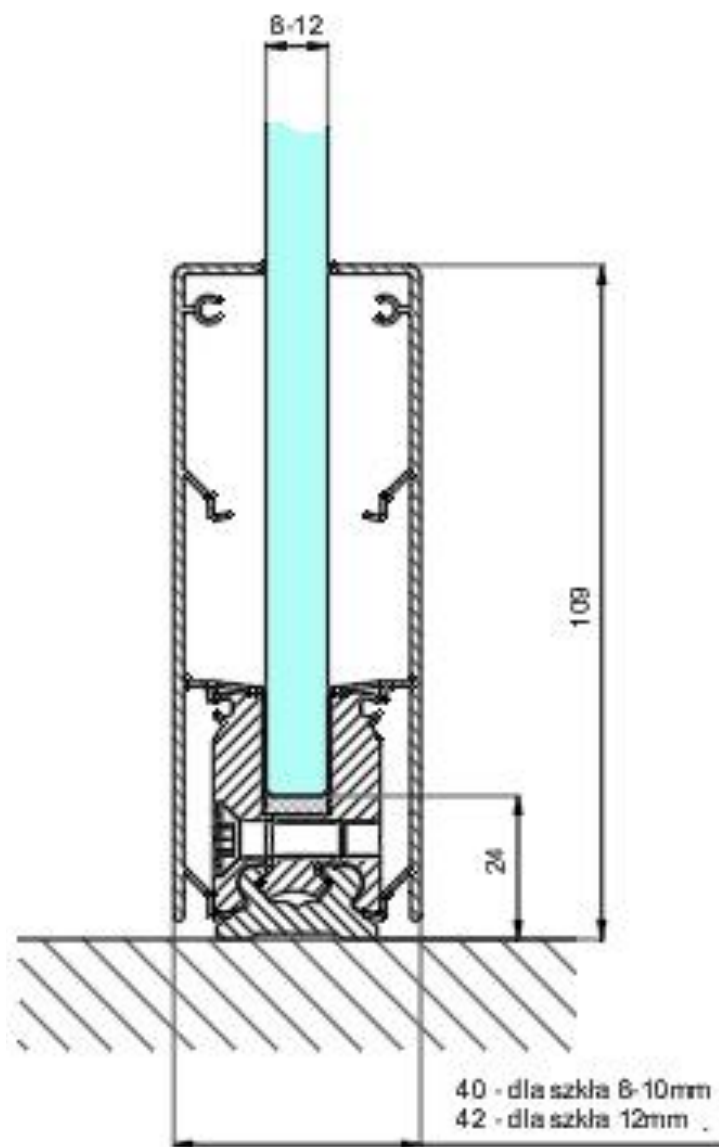


NEW !!!

CGLASS® OFFICE

MOUNTING PROFILE FOR GLASS WALLS

CLM-1090



symbol	glass thickness	finish
CLM-1090-8/10-NA	8-10mm	silver anodized
CLM-1090-8/10-SS	8-10mm	INOX anodized
CLM-1090-12-NA	12mm	silver anodized
CLM-1090-12-SS	12mm	INOX anodized
properties		
length	250cm / 500cm	
material	aluminium	
3pcs clamps for 1 meter profile		



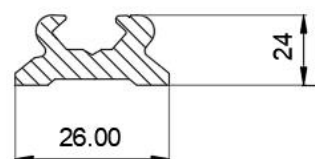
NEW !!!

CGLASS® OFFICE

CLM-4100 & CLM-1090

Base profile

CLM-B



symbol	length
CLM-B-2500	2500mm
CLM-B-5000	5000mm

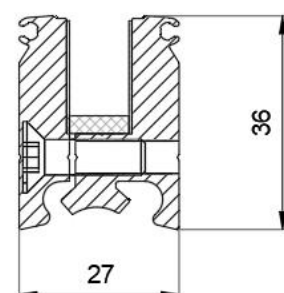
properties

material aluminium

Base profile consists mounting holes even 300mm

Clamps

CLM-Ł



symbol	glas thickness
CLM-Ł-8	8mm
CLM-Ł-10	10mm
CLM-Ł-12	12mm

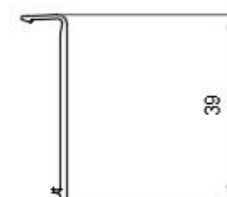
properties

material aluminium

Set consist 8pc clamps and 8pc spacers

Cover

CLM-4100-M



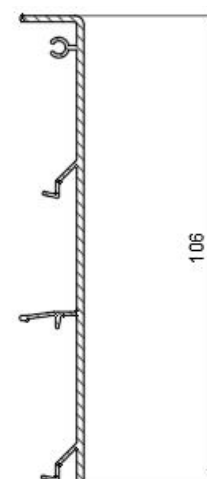
symbol	length	finish
CLM-4100-M-2500-NA	2500mm	silver anodized
CLM-4100-M-2500-SS	2500mm	INOX anodized
CLM-4100-M-5000-NA	5000mm	silver anodized
CLM-4100-M-5000-SS	5000mm	INOX anodized

properties

material aluminium

Cover

CLM-1090-M



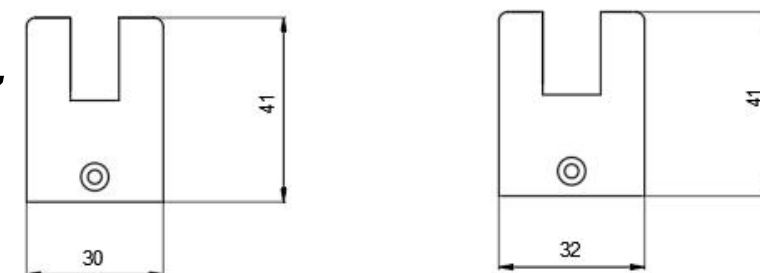
symbol	length	finish
CLM-1090-M-2500-NA	2500mm	silver anodized
CLM-1090-M-2500-SS	2500mm	INOX anodized
CLM-1090-M-5000-NA	5000mm	silver anodized
CLM-1090-M-5000-SS	5000mm	INOX anodized

properties

material aluminium

End cap

CLM-4100-Z



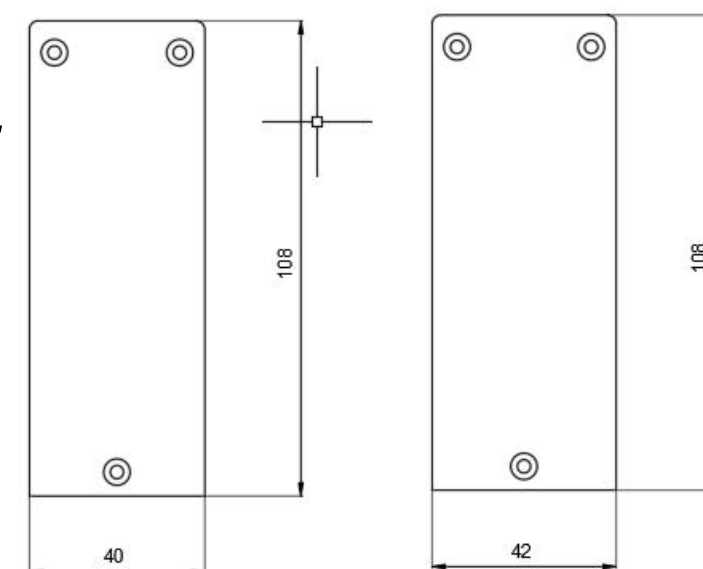
symbol	glass thickness	finish
CLM-4100-8/10-Z-NA	8-10mm	grey
CLM-4100-8/10-Z-SS	8-10mm	satyna
CLM-4100-12-Z-NA	12mm	grey
CLM-4100-12-Z-SS	12mm	satyna

properties

material stainless steel

End cap

CLM-1090-Z



symbol	glas thickness	finish
CLM-1090-8/10-Z-NA	8-10mm	grey
CLM-1090-8/10-Z-SS	8-10mm	satyna
CLM-1090-12-Z-NA	12mm	grey
CLM-1090-12-Z-SS	12mm	satyna

properties

material stainless steel

CGLASS

OKUCIA DO SZKŁA

PLIKI DLA ARCHITEKTÓW



SIEDZIBA
UL. BALETOWA 104
02-867 WARSZAWA
BIURO@CGLASS.PL
+48 697 057 838

ODDZIAŁ
UL. RYBITWY 15
30-722 KRAKÓW
KRAKOW@CGLASS.PL
+48 533 394 603

CGLASS[®]
OKUCIA DO SZKŁA

NORGPOL[®]
ROZWIĄZANIA DLA PRZEMYSŁU

SERIA **CGLASS**[®] OFFICE