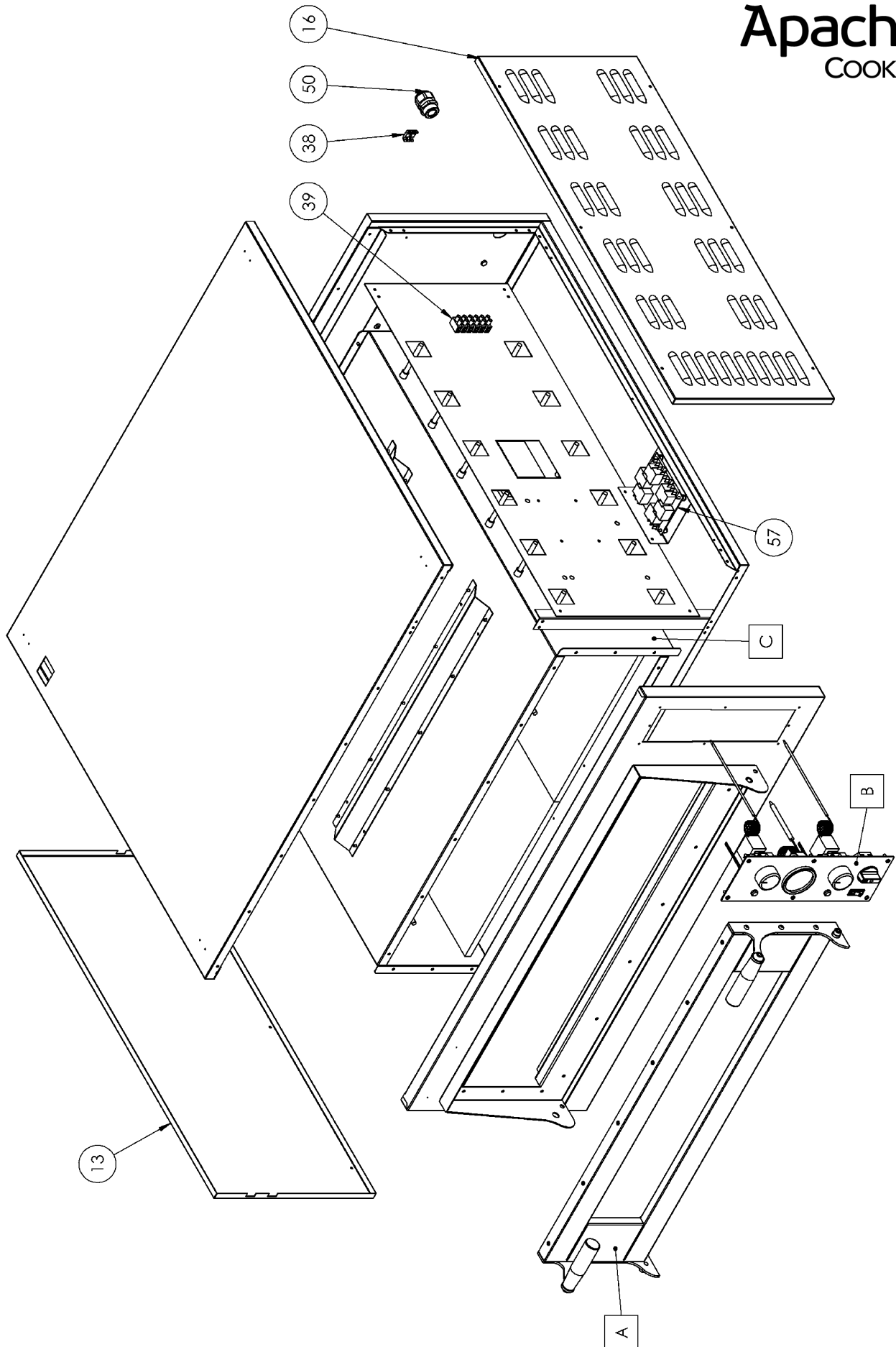
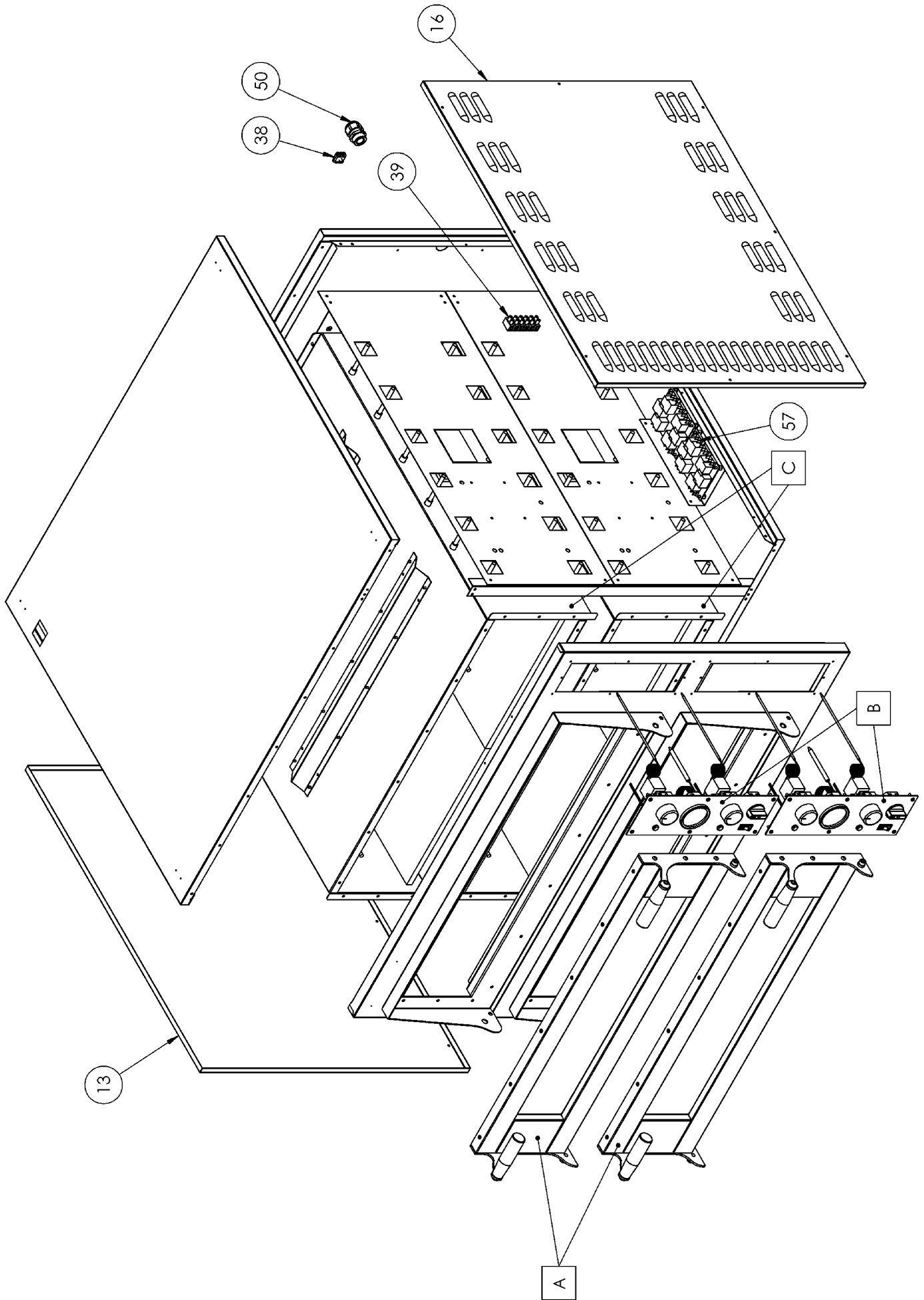


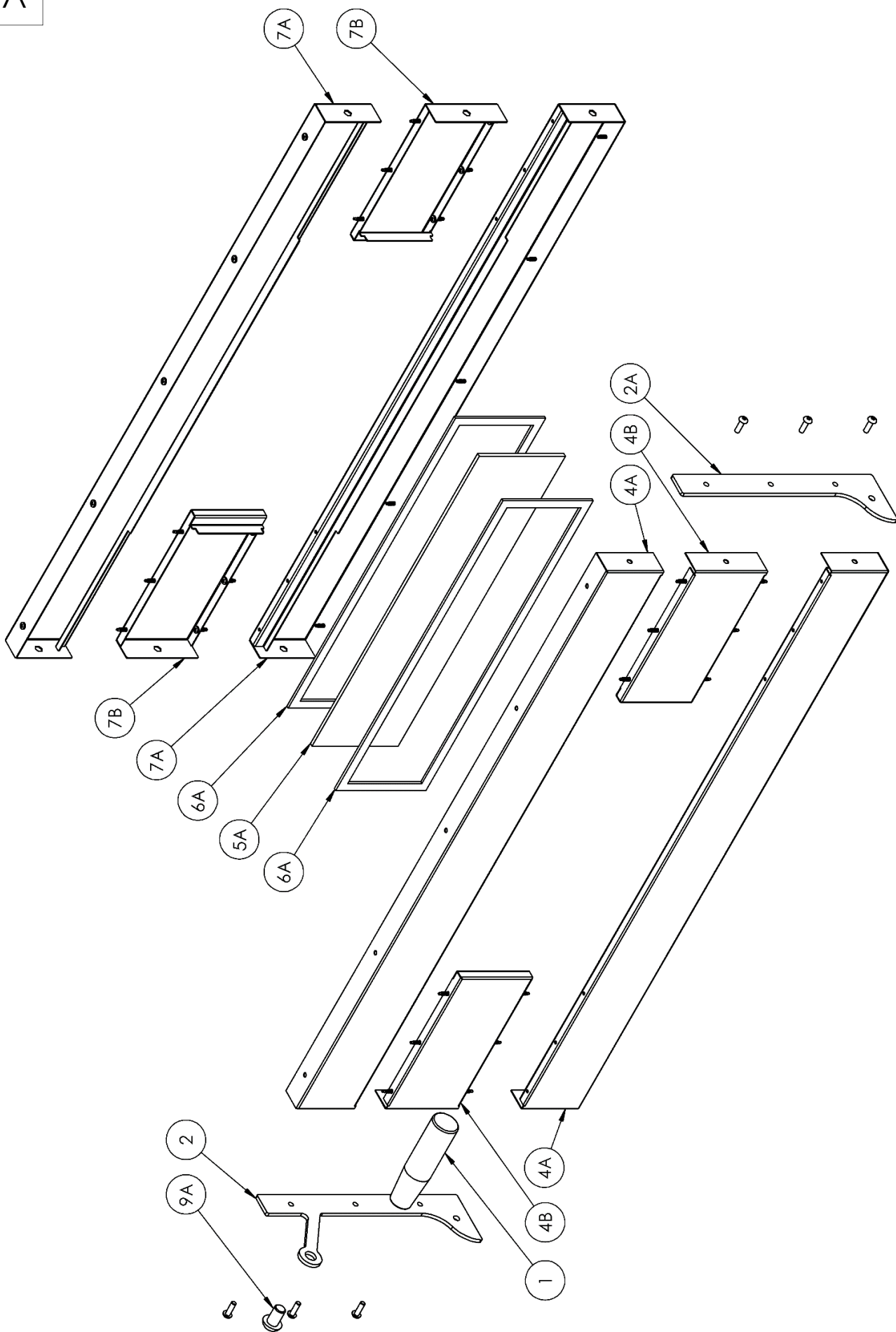
# EXPLODED VIEW

Apach  
COOK *line*

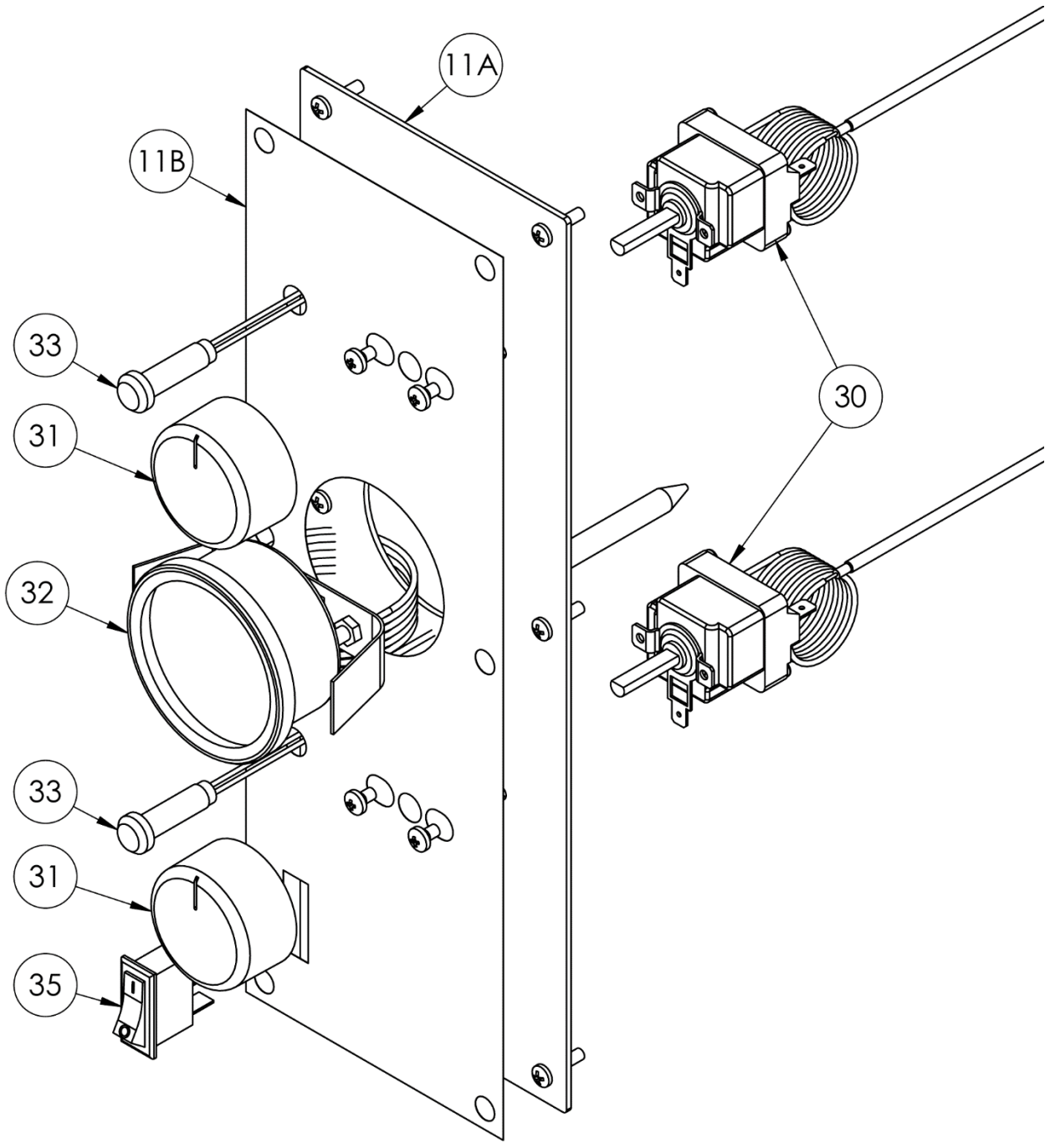




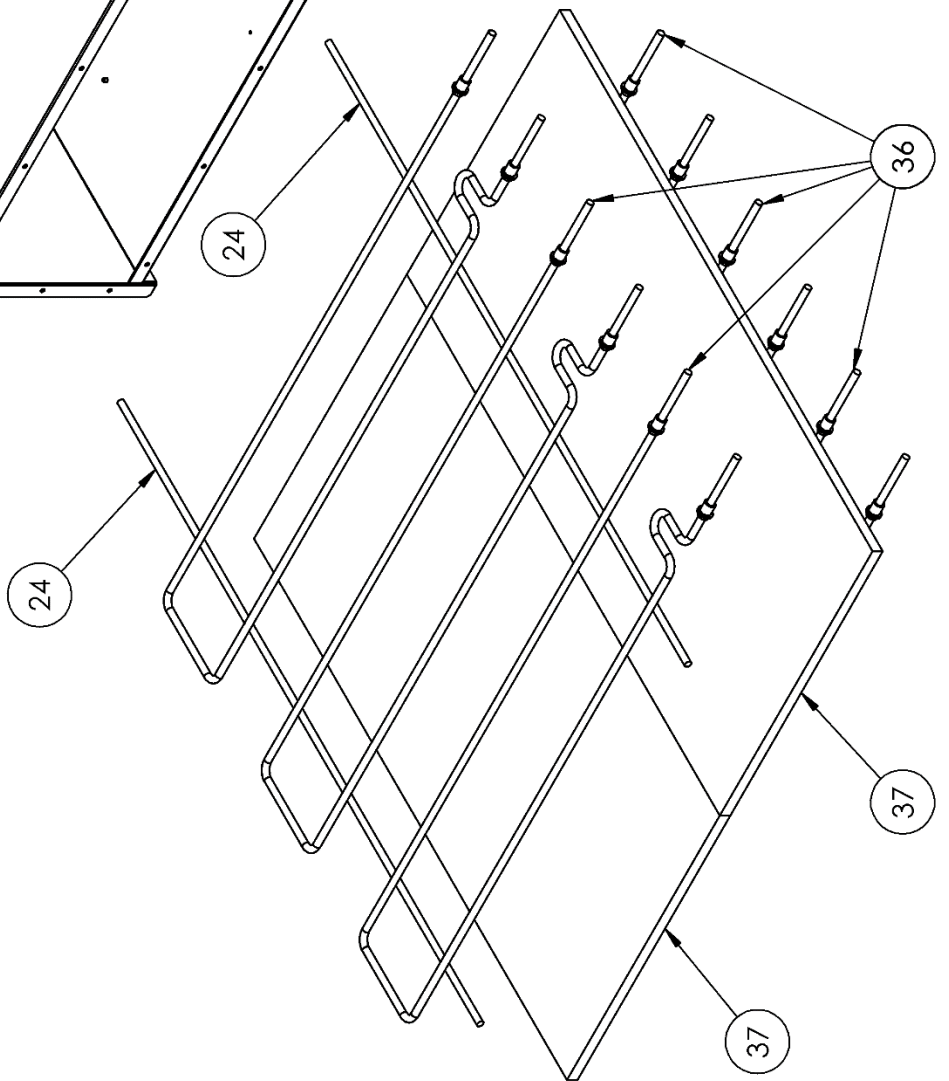
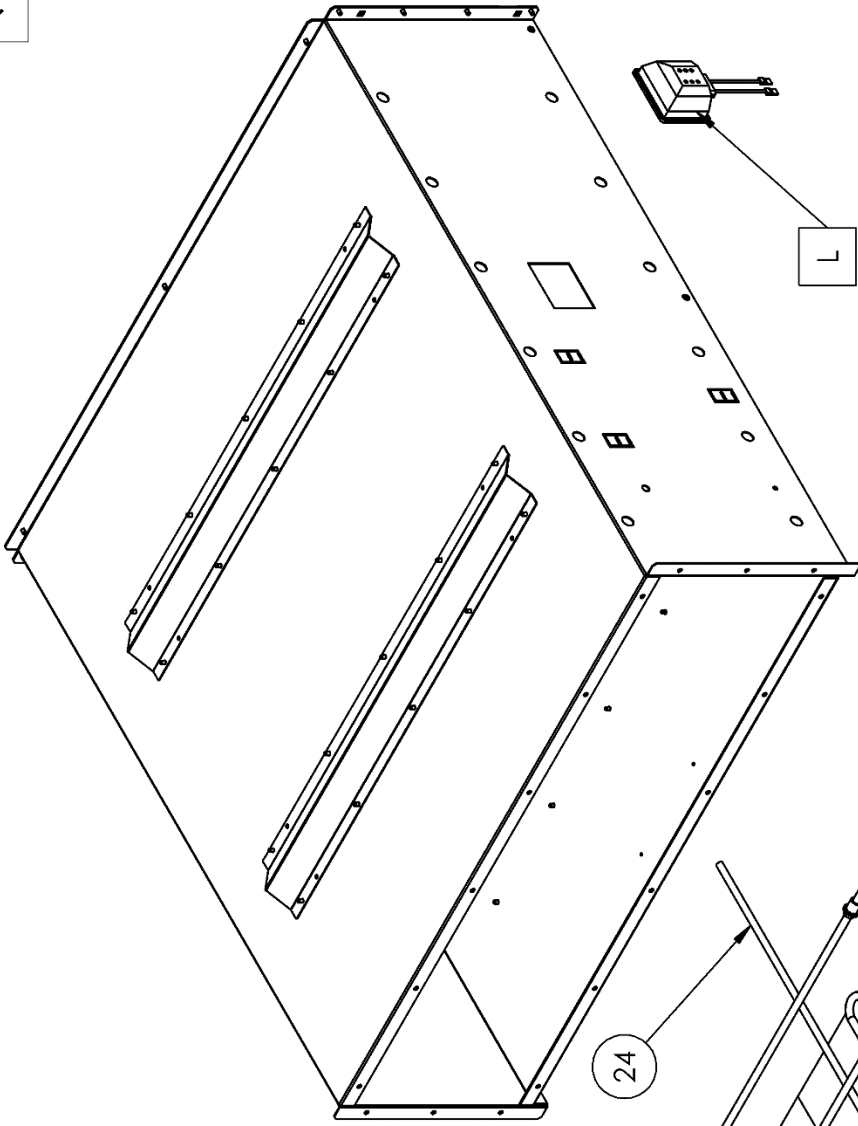
A



B

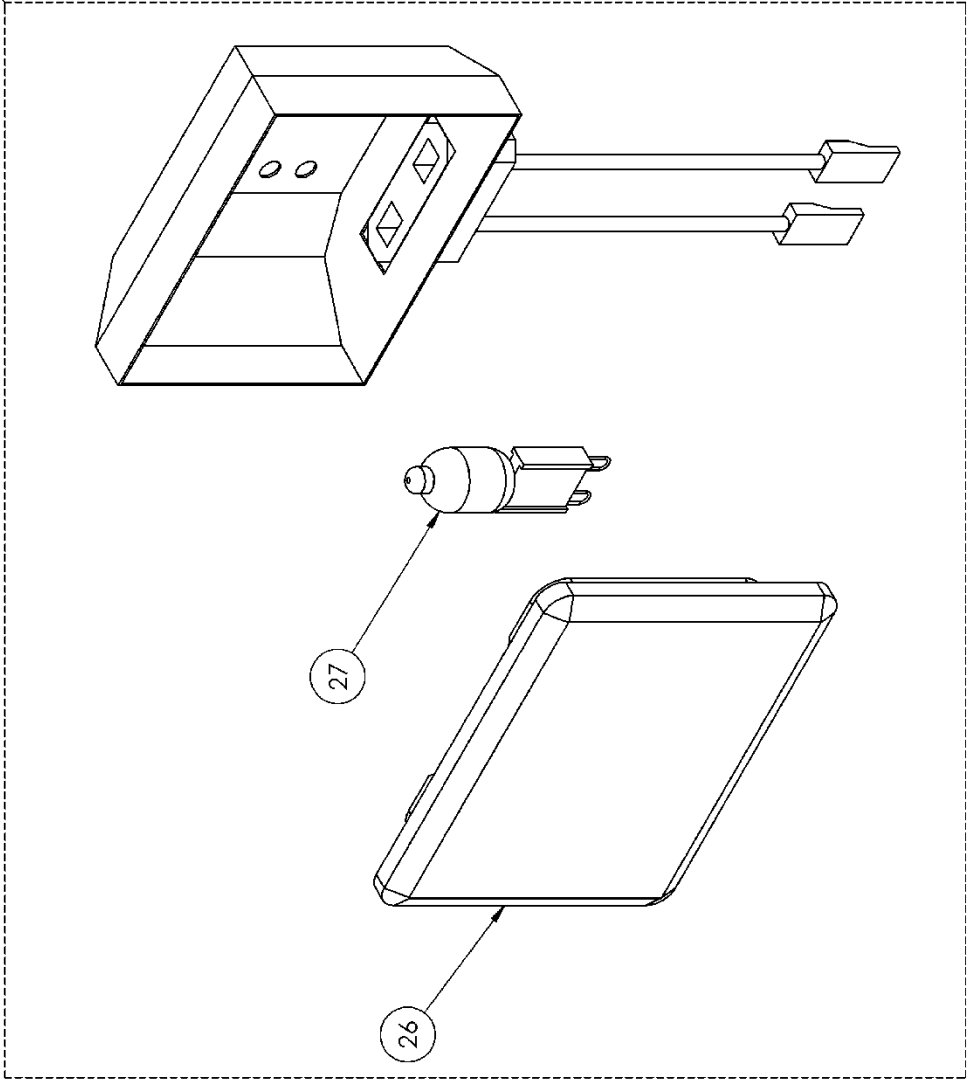


C



L

L



## SPARE PARTS

POS.	DESCRIPTION	AMM 4 P	AMM 44 P	AMM 6 P	AMM 66 P
1	Door handle	5M200030	5M200030	5M200030	5M200030
2	Handle plate	4P100033	4P100033	4P100033	4P100033
13	Left side panel	4P040007	4P040017	4P040027	4P040037
16	Right side panel	4P040003	4P040012	4P040022	4P040032
24	Support resistance	4T060065	4T060065	4T060070	4T060070
26	Lamp glass	5V010003	5V010003	5V010003	5V010003
27	Bulb	5L020005	5L020005	5L020005	5L020005
30	Thermostat	5T010001	5T010001	5T010001	5T010001
31	Thermostat knob	5M200003	5M200003	5M200003	5M200003
32	Thermometer	5T010200	5T010200	5T010200	5T010200
33	Resistance light	5L020017	5L020017	5L020017	5L020017
35	Light switch	5I100017	5I100017	5I100017	5I100017
36	Heating element	5R050400	5R050400	5R050410	5R050410
37	Refractory stone	5P050040	5P050040	5P050050	5P050050
38	Earth terminal	5M100120	5M100120	5M100120	5M100120
39	Terminal block	5M100010	5M100010	5M100010	5M100010
50	Cable gland	5P100003	5P100003	5P100003	5P100003
57	Relay board	/	/	5S010050	5S010050
11A	Command plate	4M010202	4M010202	4M010202	4M010202
11B	Command label	5E206404	5E206404	5E206404	5E206404
5A	Door glass	5V010015	5V010015	5V010015	5V010015
6A	Door gasket	5G100006	5G100006	5G100006	5G100006
A	Complete door	7A010016	7A010016	7A010016	7A010016
L	Complete lamp	7P010200	7P010200	7P010200	7P010200