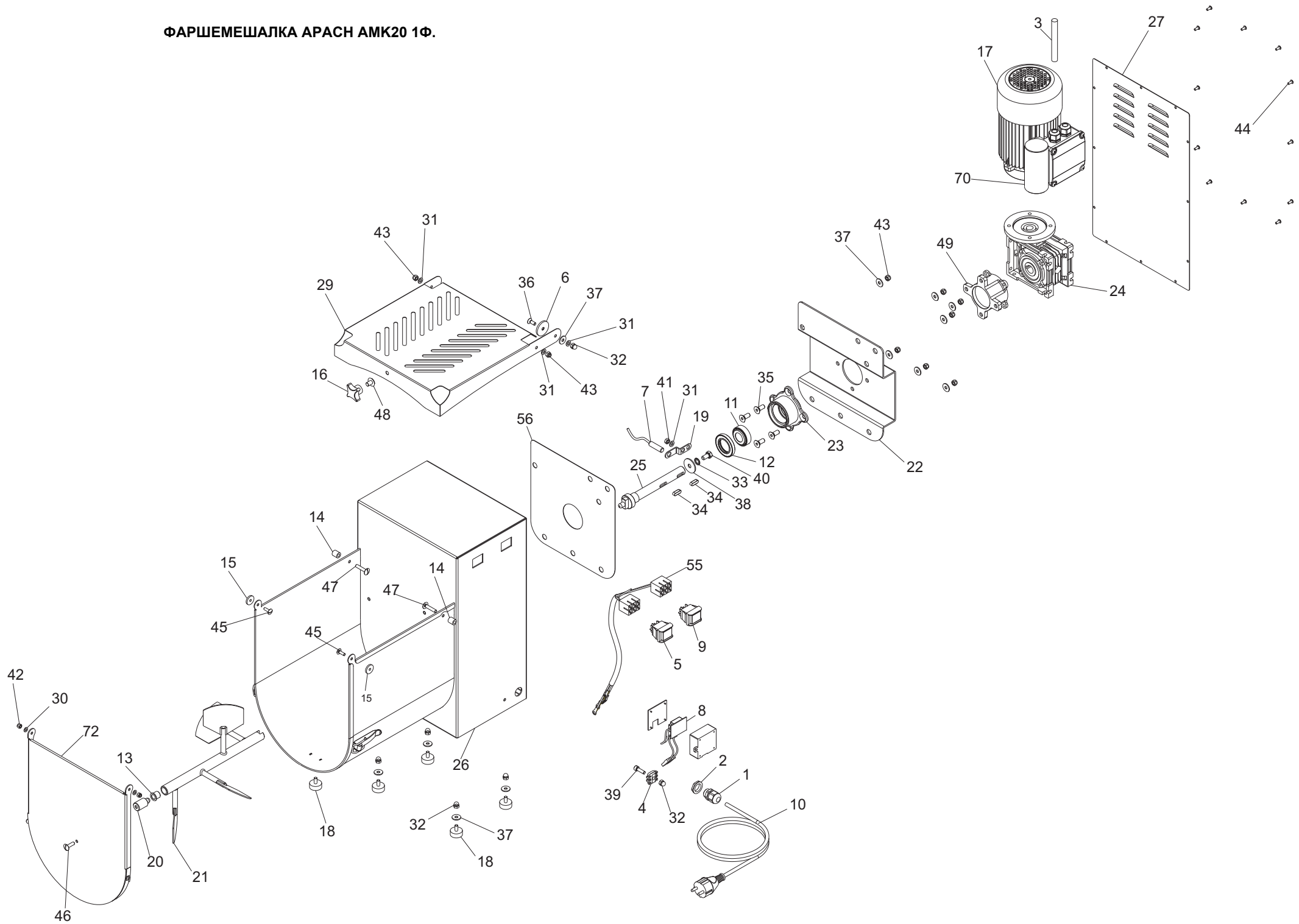


ФАРШЕМШАЛКА АРАСН АМК20 1Ф.



| | | |
|-------|-------------------------------------|-----------------|
| 1 | STRAIN RELIEF + NUT | LF1010063 |
| 2 | DADO PLASTICA PG 11 | LF1010072A |
| 3 | CAVETTO ALIMENT. MOTORE TF TC BZ | LF1030522030 |
| 4 | MORSETTO A PETTINE X EQUIPOTENZ. BZ | LF1030522050 |
| 5 | SWITCH COMELUX 401/L | LF1039201 |
| 6 | MAGNET M634 | LF1039710 |
| 7 | LID MICROSWITCH | LF1043105 |
| 8 | PCB IP10-20 | LF1043140 |
| 9 | INVER. COMELUX ON-ON ME 10-20 | LF1043150 |
| 10 | CAVO 3 X 1 CON SPINA SHUKO | LF1061005 |
| 10 CN | CAVO 3X1 CON SPINA CHINA 10A L=3000 | LF1000416025 |
| 11 | CUSCINETTO 32004 2RS ME 20 MP COMP | LF1143201 |
| 13 | BOCCOLA FLANG. JFM-1014-14 ME10-20 | LF1443115 |
| 14 | DIST. PLAST 12X6,4X13 ME10-20 | LF1443133 |
| 15 | RONDELLA PLAST. D 5,3X20 H3 ME30-50 | LF1443301 |
| 16 | SHARPENER LOCKING KNOB FOR SLICER | 19562602 |
| 17 | MOT. PAM 71 B 14 4 POLI MONO ME EVO | LF1844503 |
| 18 | RUBBER FOOT 25X10 _ CANOVA TOP | 19560160 |
| 19 | DOOR SUPPORT FOR MICROSWITCH | LF2007019 |
| 20 | PERNO PALA L=38 ME 10 MP COMP | LF2043172 |
| 21 | PALA ME 20 MP COMP | LF2043219 |
| 22 | OMEGA SUPPORTO MOTORE ME 20 MP COMP | LF2043223 |
| 23 | FLANGIA RIDUTTORE ME 20 MP COMP | LF2043236 |
| 24 | RIDUT. MNRV 050 71 I=50 ME 20 MP | LF2043240 |
| 25 | PERNO TRASC. PALA ME 20 MP COMP | LF2043244 |
| 26 | CARENA COMPLETA ME 20 MP COMP | LF2043260 |
| 27 | CARTER POST. ME 20 MP COMP | LF2043263 |
| 28 | FRONTALE VASCA ME 20 MP COMP | LF2043266 |
| 29 | COPERCHIO VASCA ME 20 MP COMP | LF2043269 |
| 30 | WASHER DIN 125 D 5 | IX2125005 |
| 31 | FLAT WASHER DIN 125 D 6 | IX2125006 |
| 32 | CAP NUT DIN 1587 M 6 | IX21587LC006 |
| 33 | TOOTHED WASHER DIN 6798-A D 8E | IX26798A008 |
| 34 | LINGUETTE DIN 6885/A 6X6X20 | IX26885A060620 |
| 35 | SCREW TSPEI DIN 7991 M 8X20 | IX27991008020 |
| 36 | FLATHEAD CSK SCREW DIN 7991 M 6X16 | IX27991PINTX616 |
| 37 | WASHER LARGE DIN 9021 D 6X18 | IX29021006018 |
| 38 | WASHER THICK DIN 9021 D 8X32 | IX29021008032 |
| 39 | HEX.SOCKET HEAD CAP SCREW M6 X 20 | IX2912006020 |
| 40 | SCREW TE DIN 933 M 8X16 T.F. | IX2933008016 |
| 41 | HEX.NUT DIN 934 M 6 | IX2934006 |
| 42 | DADO AUTOBLOCC. ES DIN 982 M 5 ALTO | IX2982005 |
| 43 | LOCKNUT ES DIN 982 M6 ALTO | IX2982006 |
| 44 | VITE POELIERS M 4X10 | IX2POEL004010 |
| 45 | VITE POELIERS M 5X16 | IX2POEL005016 |
| 46 | VITE POELIERS M 6X16 | IX2POEL006016 |
| 47 | VITE POELIERS M 6X25 | IX2POEL006025 |
| 48 | VITE POELIERS M 8X12 | IX2POEL008012 |
| 49 | FLANG.DISTANZ.SUPP.MOT. TC 12 DNV | 29561210 |
| 55 | CAVO MOTORE C/ZOCCOLO 5X1 L=850 | LF1043160 |
| 56 | GUARNIZ.ANTIVIB.OMEGA ME20 | LF1443210 |
| 70 | CONDENSATORE DA 16 UF | LF1011016 |
| 72 | FRONTALE VASCA ME 20 MP COMP | LF2043266 |