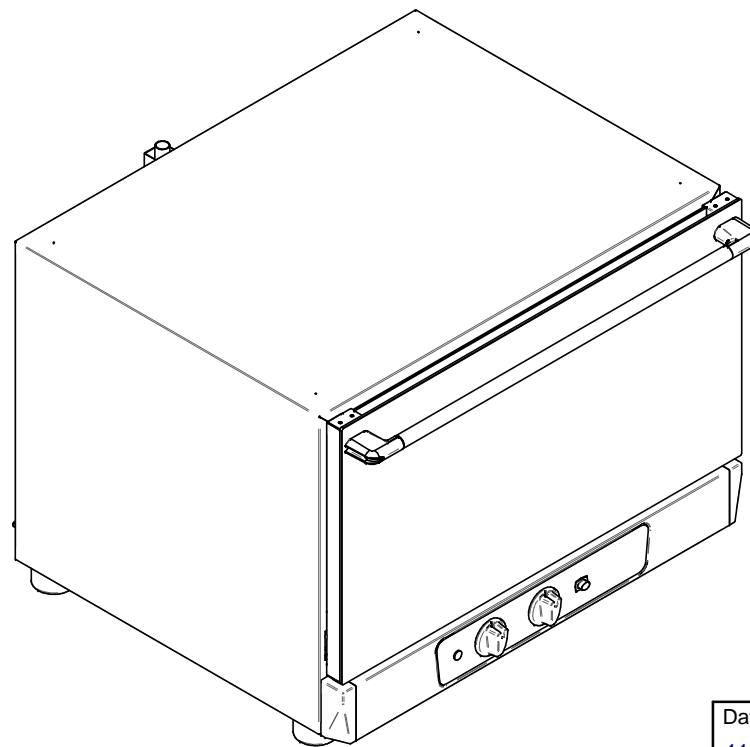


scala 1:10



ENGLISH	
01.	HUMIDIFICATION BUTTON
02.	TIME KNOB
03.	TEMPERATURE KNOB
04.	LIGHT ON/OFF HEATING ELEMENT
06.	HUMIDIFY SOLENOID VALVE 3/4" BSP (GAS)
07.	UNIPOTENTIAL TERMINAL
08.	COMPRESSION CABLE GLAND
09.	HOT FUMES EXHAUST CHIMNEY

Scale :  
1:8

Reserved property :



Drawing by:  
C. R.

Date :  
11/09/2014

Description :  
**OVEN DRAWINGS**

Model :  
T04M, T04MP

Name:  
**AD46M ECO, AD46MP ECO**

**APACH**