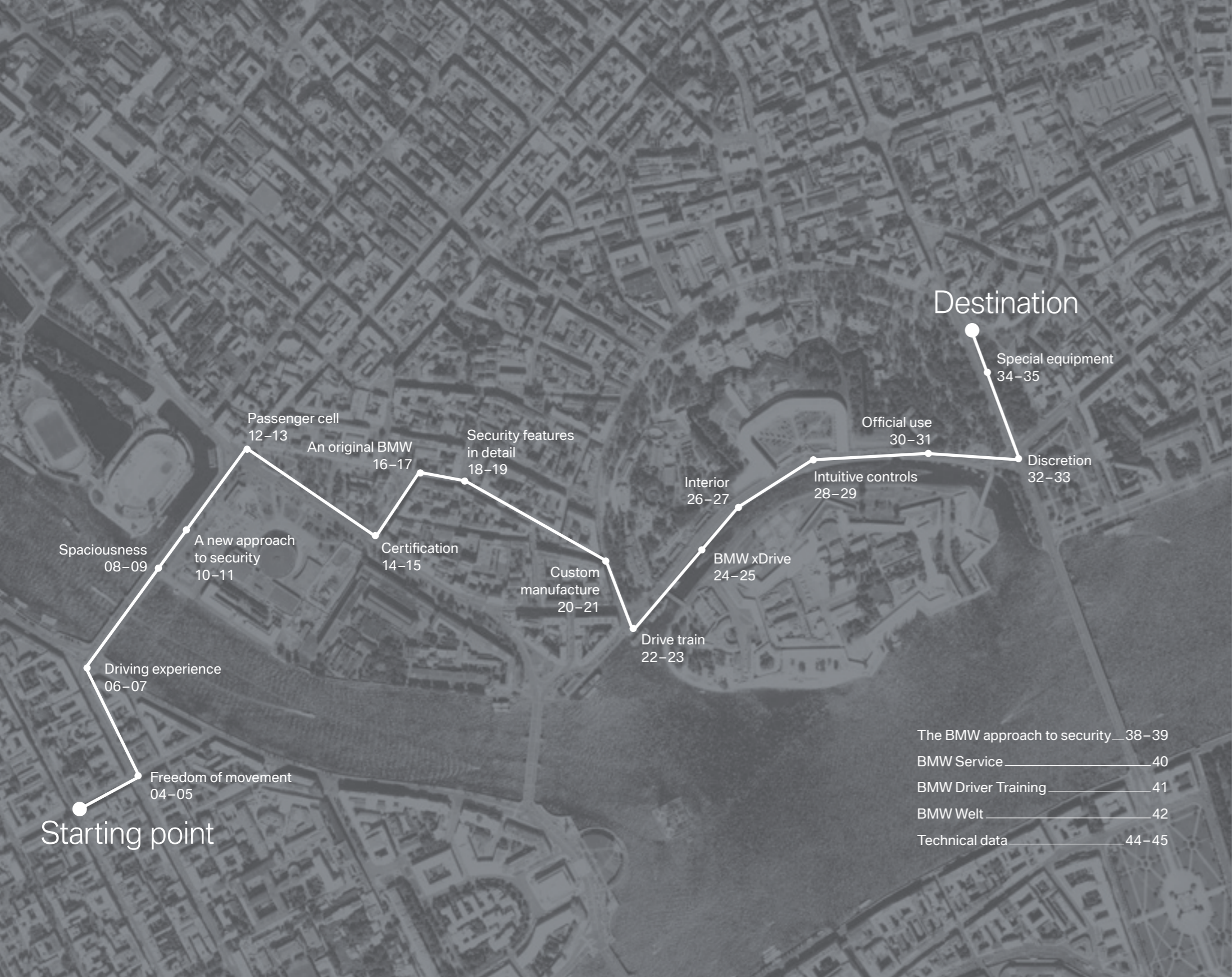




**THE BMW X5 SECURITY PLUS.**  
A NEW DEGREE OF SECURITY.



Starting point

Destination

Spaciousness  
08-09

A new approach  
to security  
10-11

Passenger cell  
12-13

An original BMW  
16-17

Certification  
14-15

Security features  
in detail  
18-19

Custom  
manufacture  
20-21

Drive train  
22-23

Interior  
26-27

BMW xDrive  
24-25

Intuitive controls  
28-29

Official use  
30-31

Special equipment  
34-35

Discretion  
32-33

The BMW approach to security...38-39

BMW Service...40

BMW Driver Training...41

BMW Welt...42

Technical data...44-45

**YOU'VE ALWAYS FELT SAFER  
SOME PLACES THAN OTHERS.  
NOW YOUR CAR IS ONE OF THOSE PLACES.**

With the BMW X5 Security Plus, BMW offers a whole new degree of security, unmatched by any other manufacturer – because it is the first vehicle specifically designed to protect against the world's most widely used firearm, the AK-47.

## SECURITY PLUS FREEDOM OF MOVEMENT. A WHOLE WORLD OF POSSIBILITIES.

You're safe when you're at home. You're safe when you reach your destination. And thanks to the BMW X5 Security Plus, now you're safe travelling between the two as well. The vehicle's unique design protects all its occupants against attack with automatic weapons, and in particular the AK-47. At the same time, the BMW X5 Security Plus offers the unmistakable driving pleasure you only get from a BMW.

Wherever you're going, however long the journey, and whoever you're travelling with, the BMW X5 Security Plus gives you everything you'd expect of a Sports Activity Vehicle – and a BMW Sports Activity Vehicle at that. It combines maximum versatility, an outstanding driving experience and the highest levels of comfort with the peace of mind that comes from a whole new degree of security. So now you can stay safe, and stay mobile too.





## **SECURITY PLUS DRIVING DYNAMICS. DRIVING PLEASURE IN ITS PUREST FORM.**

Optimum protection for all occupants, but with no compromises on driving dynamics – it's a combination that few car manufacturers have mastered.

BMW has been developing and building armoured vehicles for over 30 years. And in the BMW X5 Security Plus, you'll feel the full benefits of this unrivalled experience. It drives exactly the way a BMW should – so it's as dynamic as it is safe.

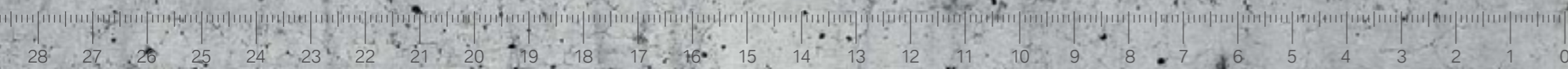
## SECURITY PLUS CONTROL. TOTAL COMMAND OF ANY SITUATION.

The interior of the BMW X5 Security Plus is designed to deliver intuitive ease of use and maximum comfort, with features such as a raised seating position, a driver-focused cockpit layout and the innovative iDrive system.

This also helps make the vehicle safer. Because if you feel at ease and in control of the situation, you will be able to react better to danger. This is also why the moulded armour parts used in the BMW X5 Security Plus precisely follow the contours of the standard model. This way, all the normal airbags can be incorporated, without the cabin feeling any less spacious.



518 joules  
(Muzzle energy of a 9-millimetre pistol.)



1,805 joules  
(Muzzle energy of the AK-47.)



## THE FIRST COMPREHENSIVE RESPONSE TO THE THREAT OF THE WORLD'S MOST WIDESPREAD FIREARM.

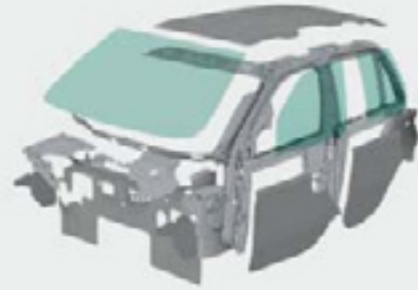
In some parts of the world, the threat of attack with automatic weapons is an ever-present danger. And the greatest danger comes from the AK-47, which is more numerous and more widespread than any other firearm. The challenge for designers of armoured vehicles is to protect against this threat, while at the same time offering drivers the everyday flexibility they need.

BMW is the first manufacturer to come up with a solution specifically designed to protect against attack with automatic weapons such as the AK-47. As a result, the BMW X5 Security Plus offers a whole new degree of security.



**The protective passenger cell in the BMW X5 Security Plus.**

The side windows, partition wall and front windscreen are made of a security glass laminate that is approximately three centimetres thick and features a polycarbonate coating. The interior is sheathed in an impenetrable skin of steel armour.



**THE WORLD'S MOST AGILE  
PROTECTIVE CELL.**

The edges of the doors, the places where windows meet frames, and the joins between body panels are some of the most vulnerable areas of the vehicle to gunfire. So it is only logical that in developing the BMW X5 Security Plus and its new passenger cell, BMW has invested a particularly large amount of effort in these areas.

The targeted use of precisely shaped moulded parts made from a special high-strength steel ensures the integrity of the passenger compartment.

## ALL-NEW PROTECTIVE TECHNOLOGY THAT'S ALSO TRIED AND TESTED.

When it comes to protecting you and your family, BMW is not prepared to compromise. All our Security Vehicles are subjected to extremely rigorous testing, which goes well beyond standard requirements.

For example, hundreds of rounds are fired at the BMW X5 Security Plus once assembly is complete, from a wide variety of angles, to ensure the bodywork structure, built-in armour and special glazing all fulfil their intended function. And you can be confident that they have passed with flying colours, as the BMW X5 Security Plus is officially certified as offering class 6 ballistic protection (tested as per VPAM-APR 2006 and BRV 1999 guidelines).



### **Security.**

Models available: BMW 5 Series Saloon and BMW X5. Class VR4 ballistic protection (handguns up to .44 Magnum calibre, tested as per BRV 1999 guidelines).

### **Security Plus.**

Model available: BMW X5. Class 6 ballistic protection (AK-47-type automatic weapons, tested as per VPAM-APR 2006 and BRV 1999 guidelines).

### **High Security.**

Model available: BMW 7 Series. Vehicle as a whole meets the new class VR7 ballistic protection standard, and many areas offer class VR9 protection (full metal jacket and armour-piercing, rigid core ammunition).\*

\* The vehicle as a whole complies with the requirements for class VR7 ballistic protection (tested as per BRV 2009 guidelines). The non-transparent area, and many parts of the transparent area, comply with the requirements for class VR9 ballistic protection (tested as per BRV 2009 guidelines).



## TOTAL PROTECTION BUILT IN.

With the BMW X5 Security Plus, you can be absolutely confident that you are getting the best possible protection, and are not making any compromises to get it. Because from the first design sketches to the final coat of polish, it's all our own work. Maximum security, made by BMW.

### Integrated armour design.

BMW knows that testing materials or components like steel plates in isolation isn't enough. However rigorous the testing, to give reliable results, it must be carried out on the complete vehicle. Which explains why the BMW X5 Security Plus is not a modified BMW – it's an original BMW in its own right.



## THE ALL-INCLUSIVE BMW DEVELOPMENT PROCESS. AN APPROACH TO SECURITY YOU CAN RELY ON ABSOLUTELY.

It's true that what matters is the performance of the vehicle as a whole. But this in turn depends on getting every last detail just right. Only by carefully combining different materials, linking individual processes and sharing expertise in a variety of areas, was it possible to build a BMW X5 Security Plus that offers a whole new degree of security.

Every single element must meet the same exacting requirements as the vehicle as a whole. For example, the vehicle floor incorporates innovative shrapnel protection technology, allowing it to withstand the explosion of two DM51-type hand grenades. Special glazing, armoring of joins, a safety fuel tank, and modified suspension and brake set-ups: every detail is innovative, every detail is just right. The result is seamless security – as you would expect from BMW.



### Keeping you mobile when it matters most: runflat tyres.

Specially reinforced tyre sidewalls mean that the BMW X5 Security Plus can keep driving for approximately 150 kilometres, at speeds of up to 80 km/h, even after a complete loss of tyre pressure. This is a potentially invaluable benefit when trying to escape under fire.



### Self-sealing when shot: the safety fuel tank.

In the BMW X5 Security Plus, this especially vulnerable area gets special protection: the outer walls of the tank are self-sealing, while the inside contains anti-explosive material.



### Security glass.

Approximately three centimetres thick. A polycarbonate coating on the inside prevents spalling.

### Floor armour.

Aramid armour protects the vehicle floor at both front and rear.

### Integrity of joins.

Precisely fitted overlapping steel armour panels ensure there are no points of vulnerability.

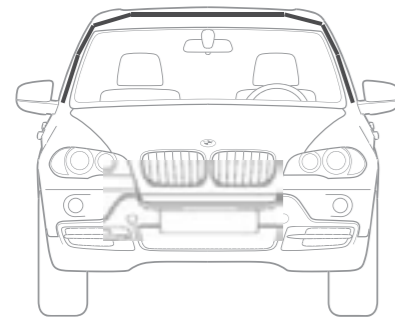
## MADE TO MEASURE BY BMW. SHAPED TO PROTECT.

BMW has found a way to precisely shape the individual armour components, so that they integrate perfectly with the bodywork of the standard vehicle, fitting it like a second skin. It's a lot of effort – but it's worth it.

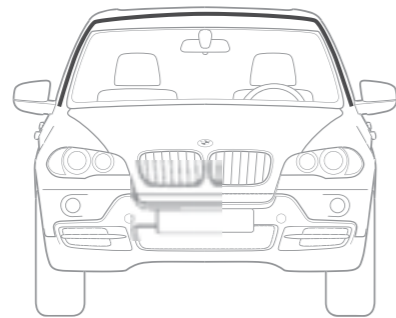
As a result, the vehicle has the same impressive sense of space as the standard model. Custom-manufacturing the moulded parts also means that all the airbags can remain in their proper places – and deliver optimum protection in the event of an impact.

### Different approaches to armour-plating.

Standard procedure: the armour is only approximately the same shape as the bodywork.



Made by BMW: the special steel components are precisely shaped to the bodywork before they are fitted.



### Uncompromising safety.

The benefits of custom-made moulded armour parts are particularly obvious in the roof – precisely because the parts themselves are so unobtrusive. As a result, all the head airbags can remain in place, ensuring the BMW X5 Security Plus offers maximum safety.



## BMW DRIVE TRAIN TECHNOLOGY. REACT TO DANGER BEFORE IT ARISES.

Heavyweight protection with the responses of a lightweight: a combination of high-performance engines and specially modified suspension helps you to react quickly and precisely to danger, and gives you the speed of response you need in any situation. And thanks to the multi-award-winning BMW EfficientDynamics programme of technologies, fuel economy is noticeably better too.\*

The 4.8-litre V8 engine in the BMW X5 Security Plus has an output of 261 kilowatts (355 horsepower), propelling the vehicle from 0 to 100 km/h in 8.2 seconds. A six-speed automatic transmission with Steptronic facilitates smooth, lightning-fast gear changes. Overall, the driving experience in the BMW X5 Security Plus can scarcely be distinguished from the standard model.



### Modified suspension and electronics.

The increased weight of the BMW X5 Security Plus means that its centre of gravity is slightly higher than in the standard model. To ensure the characteristic BMW handling responses are not affected, the suspension set-up and programming of the electronic driver aids have been modified accordingly.



### The genius is in the detail.

The wheel bearings have been modified to handle the increased strains caused by the extra weight when cornering at speed. They contain a larger number of smaller ball bearings, so that the load on each individual ball is less.

\*More information about fuel consumption and emissions figures can be found on pages 44/45.



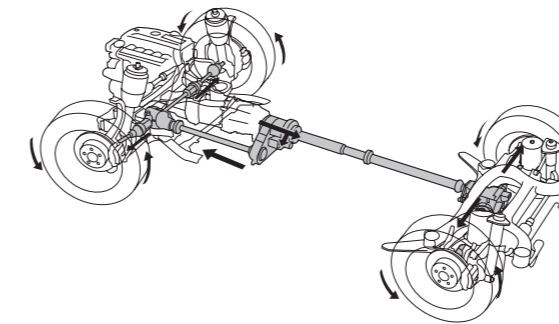
## xDRIVE, THE INTELLIGENT ALL-WHEEL DRIVE SYSTEM FROM BMW. TOTAL CONTROL IN ANY SITUATION.

Having power is one thing, making intelligent use of it is quite another. And that is exactly what the xDrive all-wheel drive system does in the BMW Security Plus. However demanding the situation, xDrive will adapt to any surface to ensure maximum traction at all times. So you stay in total control of your vehicle.

By measuring parameters such as steering angle and the speed of the individual wheels, xDrive is able to recognize when the vehicle is threatening to under or oversteer, and react immediately. An electronic clutch adjusts the division of engine torque between the two axles in a fraction of a second, so as to ensure power always goes to the wheels with the most grip. The result is a gripping drive, in every sense.

### **A superior drive on any surface.**

The BMW xDrive all-wheel drive system uses the sensors of the DSC active suspension system to identify where the surface is more slippery, and reacts in fractions of a second. Variable distribution of engine torque between front and rear axles ensures that the wheels with the most grip get the most power, ensuring optimum traction at all times.



## BMW INTERIOR DESIGN. PROTECTION WITHOUT SACRIFICING COMFORT.

Security shouldn't come at the cost of freedom. Which is why the interior of the BMW X5 Security Plus gives you almost total liberty to create an ambience that's just right for you. For spaciousness, comfort and choice of equipment, it can hardly be beaten. And the additional armour plating behind the rear seat means up to four occupants can enjoy the peace of mind that comes from travelling in total security.

Add to this the refined atmosphere and striking sense of space, and it couldn't be easier to relax. Almost all the equipment options available on the standard model are also available for the BMW X5 Security Plus. DVD entertainment systems, navigation system Professional, mobile phone preparation, leather upholsteries, a choice of colours for the door trims, fine wood interior trim – the options are endless, the choice is yours.



**Armoured partition  
for optimum protection.**

Sit here, and you know you're safe: to ensure the entire passenger cell is protected against gunfire, the BMW X5 Security Plus features an armoured partition between the rear seats and the luggage compartment, with a window allowing rearward visibility.



**The freedom  
to create your own space.**

Colours, fabrics, leathers, fine-wood trims: with the BMW X5 Security Plus, you have almost limitless design possibilities. As you would expect, a large number of options from the BMW Individual range are included in these.





## INTUITIVE CONTROLS FROM BMW. PROGRAMMED FOR SAFETY.

When danger threatens, every second counts: in critical situations, you need to be able to activate key vehicle functions easily and instantly. But you'll also appreciate the unique driver-focused controls of the BMW X5 Security Plus every bit as much in everyday driving.

Only BMW offers functional bookmarks as standard. Drivers can assign these shortcut buttons to the functions of their choice, and they are potentially invaluable at moments of danger – for example, at the touch of a button you can summon assistance, or have the navigation system display the quickest route home.

Naturally, the BMW X5 Security Plus is also fitted with the innovative iDrive control system, allowing you to operate entertainment, telephone, navigation and air conditioning systems via a single intuitive interface.



### Security functions at the touch of a button.

Always to hand for driver and front-seat passenger, yet out of sight of prying eyes: the attack alarm and intercom system are controlled via the security switch cluster in the centre console.

## BMW AUTHORITY VEHICLES. READY FOR ANYTHING.

For certain types of mission, such as undercover police operations and security escorts, a new degree of security alone is not enough. Sometimes, a vehicle must have the ability to reveal in seconds that it is on official business in order to get the job done. BMW has been producing Authority Vehicles for over 50 years, working in close cooperation with authorities and government agencies all over the world.

Flashing lights, hailing systems with different siren effects, signalling devices, radios, and even flag holders for official use: the BMW X5 Security Plus can be equipped to handle any mission, in any country.



### LED flashing lights.

LED flashing lights can be fitted behind the BMW kidney grille, and built into the rear spoiler, ensuring the vehicle's official status is immediately apparent to other road users.



### Cordless flashing lights.

The aerodynamically shaped cordless double flashing lights are attached to the roof of the vehicle magnetically, and can be operated by remote control from the interior.



### Firearm bracket.

In the centre armrest.

### Blue light.

A cordless, battery-powered light with a magnetic base.

### Radio.

For radio communications across a wide spectrum of frequencies.

### Flag holder.

For diplomatic and official use.

### Front flashers.

Discreetly located behind the BMW kidney grille.



**SECURITY PLUS DISCRETION.  
GUARANTEED NOT  
TO ATTRACT UNWANTED  
ATTENTION.**

There's no doubt that the BMW X5 Security Plus is an eye-catching vehicle – but that's purely because of its bold and distinctive styling. In this regard, it's essentially indistinguishable from the standard model.

However, the extensive security modifications incorporated into the BMW X5 Security Plus are almost invisible to the untrained eye – meaning the vehicle offers not just a new degree of security, but a new degree of discretion too. The armour plating, reinforced glass and runflat tyres are virtually unnoticeable. Because protection is all the more effective when people don't know you've got it.





## **SECURITY PLUS SPECIAL EQUIPMENT. SPECIAL REQUESTS GRANTED.**

Wherever you have to go, the BMW X5 Security Plus will get you there – and overcome any challenges you face along the way. However, this may mean augmenting the already-comprehensive security modifications with additional functions and equipment. BMW will be delighted to discuss your requirements with you – because we're only happy when you feel totally safe.

Nobody knows better than you do what your mission is, what situations you will have to deal with, and what threats you will have to protect yourself against. With your help, we can turn the BMW X5 Security Plus into your own personal bodyguard.

**SECURITY PLUS DRIVING  
PLEASURE.  
THE BEST THING ABOUT  
ARRIVING SAFELY IS LOOKING  
FORWARD TO THE NEXT DRIVE.**



# SECURITY PLUS PRINCIPLES. THE RIGHT PROTECTION IN ANY SITUATION.

How much protection you need depends on your circumstances – where you live and work, what your job involves, and how high your public profile is.

BMW is the only manufacturer that takes into account these differing needs by offering three levels of security, all of them drawing on more than 30 years' experience of building armoured vehicles.

As such, BMW offers the world's most comprehensive range of solutions for secure road travel – meaning everyone can get just what they need to feel safe.

## Security.

The BMW 5 Series Security and BMW X5 Security offer class VR4 ballistic protection (against blunt instruments and handguns of up to .44 Magnum calibre, tested as per BRV 1999 guidelines), making them the ideal way to counter the threat of street crime.



BMW 5 Series Security

BMW X5 Security

## Security Plus.

The BMW X5 Security Plus offers class 6 ballistic protection (tested as per VPAM-APR 2006 and BRV 1999 guidelines), meaning it is also secure against the world's most widespread firearm, the AK-47.



BMW X5 Security Plus

## High Security.

The BMW 7 Series High Security safeguards high-ranking politicians and corporate executives against terrorist attack with heavy-calibre ammunition and explosives. The vehicle as a whole meets the new class VR7 ballistic protection standard, and many areas in fact offer class VR9 protection.\*

\* The vehicle as a whole complies with the requirements for class VR7 ballistic protection (tested as per BRV 2009 guidelines). The non-transparent area, and many parts of the transparent area, comply with the requirements for class VR9 ballistic protection (tested as per BRV 2009 guidelines).



BMW 7 Series High Security

## SECURITY PLUS SERVICE. WHEREVER YOU GO, BMW SERVICE IS THERE FOR YOU.

We'd do anything to ensure your safety. And to ensure you receive perfect service. Routine maintenance can be carried out at over 3,300 Service Centres worldwide, in 150 countries. However, repairs to the security modifications can only be carried at selected locations with specially trained experts.

Naturally, BMW Security Vehicles come with the same comprehensive warranty as standard BMW models. Our global logistics network ensures spare parts for the BMW X5 Security Plus can be delivered rapidly anywhere in the world.

With the various BMW Service Inclusive packages, you pay a fixed price, and can then relax, safe in the knowledge that all the services included in your package are covered for a set time period or mileage, irrespective of how many times you require them. For more information, speak to your BMW dealer.

Because part of security is knowing that we're always there for you.

## SECURITY PLUS DRIVER TRAINING. WE PRACTICE FOR THE WORST-CASE SCENARIO. TO MAKE SURE IT NEVER HAPPENS.

The BMW approach to security goes beyond just the vehicle itself. We also offer a variety of Driver Training courses, teaching skills that are useful to any Security Vehicle owner.

We'll show you how to get the most out of your BMW X5 Security Plus, and will practise the best ways to handle dangerous situations – because that way, hopefully these situations will never arise.

### **Basic Security Driver Training (one day).**

Focuses on the fundamentals of driving dynamics and vehicle handling, as well as negotiating everyday traffic safely, with both theoretical and practical elements. This training module is carried out on unarmoured vehicles.

### **Advanced Security Driver Training (two days).**

Building on what drivers learned from Basic Security Driver Training, this module deepens participants' theoretical and practical knowledge of driving dynamics and vehicle handling. It also covers more challenging manoeuvres at higher speeds, such as double lane changes and escape turns, which participants practise in armoured vehicles.

### **Intensive Security Driver Training (three days).**

This takes what participants learned in the Advanced Security Driver Training module to the next level, once again using a mixture of practice and theory. It also looks at what constitutes security-conscious driving, including ways of recognizing and reacting to potential danger situations. Practical exercises range from reverse slalom to coordinating tactical turns between multiple vehicles driving in convoy.



## SECURITY PLUS EXPERIENCE. TAKE DELIVERY OF A UNIQUE VEHICLE IN A UNIQUE SETTING.

The first time you see your own BMW, touch it, climb inside and start the engine is a moment to treasure for any motorist – and the BMW X5 Security Plus is no exception to this. And now you can turn this special moment into an unforgettable day out for you and your family, by opting to collect your vehicle in person at the new BMW Welt experience and vehicle delivery centre in Munich.

Admire the historic BMW vehicles in the museum. Listen to our engineers explaining their latest innovations in the Technology and Design Atelier. Or take a factory tour, and see at first hand the technological precision and loving attention to detail that goes into the manufacture of every BMW.

To find out more, log on to [www.bmw-welt.com](http://www.bmw-welt.com)



Subject to change without notice. The equipment shown in this brochure may not be approved for use in all markets. (National regulations must be observed.)

© BMW AG, Munich, Germany. Not to be reproduced, wholly or in part, without written permission of BMW AG, Munich.

↳ Technical data

## SECURITY PLUS EXPERIENCE. TAKE DELIVERY OF A UNIQUE VEHICLE IN A UNIQUE SETTING.

The first time you see your own BMW, touch it, climb inside and start the engine is a moment to treasure for any motorist – and the BMW X5 Security Plus is no exception to this. And now you can turn this special moment into an unforgettable day out for you and your family, by opting to collect your vehicle in person at the new BMW Welt experience and vehicle delivery centre in Munich.

Admire the historic BMW vehicles in the museum. Listen to our engineers explaining their latest innovations in the Technology and Design Atelier. Or take a factory tour, and see at first hand the technological precision and loving attention to detail that goes into the manufacture of every BMW.

To find out more, log on to [www.bmw-welt.com](http://www.bmw-welt.com)

## SECURITY VEHICLE EQUIPMENT\*.

<b>Security package</b> including the following: – Class 6 ballistic protection for the survival cell (tested as per VPAM-APR 2006 and BRV 1999 guidelines) – External/internal intercom system with attack alarm – Electric windows in front, left and right, with one-touch opening, no pinch protection
<b>Active Steering</b> inc. Servotronic
<b>Adaptive Drive</b> inc. Dynamic Drive and Electronic Damper Control (EDC)
<b>Nevada leather</b> Other upholstery options can be fitted to the seats only; door trim is only available in Nevada leather
<b>Electrically adjustable seats with memory function</b>
<b>Automatic driving lights control</b>
<b>Alarm system</b>
<b>Model designation deletion</b>
<b>Roof railing</b>
<b>Spare wheel</b> 5 J x 18 with 155/90 D18 tyre (for speeds of up to 130 km/h) stored under luggage compartment floor, with jack and spanner



### Light-alloy wheels

Star-spoke 209  
8.5 J x 18 with 255/55 R 18 RSC  
tyres



### Light-alloy wheels

Star-spoke 210  
8.5 J x 18 with 255/55 R 18 RSC  
tyres

Almost all the options available on the standard model are also available on the BMW X5 Security Plus. The only exceptions are those that would compromise the effectiveness of the security modifications.

\* The Security Vehicle equipment, and particularly that specific to a certain country, may require that additional options be fitted at extra cost, and/or may not be available in conjunction with certain other options. Standard specifications may vary from those described from country to country and/or for technical reasons. Please check any relevant legal requirements in the country where the vehicle will be used.

For more information about the standard specifications and expert advice on the options and additional security-related modifications available, please speak to a BMW Security specialist at your BMW dealership.

Subject to error and change without notice.

## TECHNICAL DATA.

<b>Engine</b>	
Layout/no. cylinders	V8
Capacity	cc 4,799
Max. output	kW (hp)/rpm 261 (355)/6,300
<b>Performance</b>	
Max. speed (electronically regulated)	km/h 180
Acceleration 0–100 km/h	sec 8.2
<b>Fuel consumption*</b>	
Urban	l/100 km 18.9
Extra-urban	l/100 km 10
Combined	l/100 km 13.2
CO <sub>2</sub> emissions	g/km 316
Range	km 647
Tank capacity	l (approx.) 85
<b>Wheels</b>	
Tyre dimensions	255/55 R18 109 V XL RSC
Wheel dimensions	8.5 J x 18
<b>Weights</b>	
Unladen weight, DIN/EU	kg 2,898/2,973
Max. total weight/load	kg 3,370/460
Luggage capacity	l 610
Seats	4

\* All engines comply with the EU4 emissions standard. Fuel consumption is determined in accordance with the ECE driving cycle as defined in Directive 80/1268/EEC, made up of one third urban and two thirds extra-urban driving (based on the distance covered). CO<sub>2</sub> emissions are measured separately from fuel consumption. Figures relate to standard-specification vehicles, and may vary significantly where optional equipment (including wider tyres) is fitted.

