

**We offer to order all-new armored multi-purpose pickup AMPP “Gunner” based Ford F550 Super Duty 4WD Regular chassis Cab XL with 145 inch wheelbase**

**Effective armor protection in according to DIN EN B6 & B7, NATO STANAG 4569 Level 2a & 2b**

**Multi-purpose appointment for performance of various tasks and missions**

**Excellent handling and perfect maneuverability, high traffic in all types of terrain and climatic zones**

**Powerful engine with 6.7L Power Stroke V8 Turbo Diesel and 6-speed Automatic Transmission**



E-mail: [vpsmotorsgroup@yahoo.com](mailto:vpsmotorsgroup@yahoo.com)

**Contact us here:**

**<http://www.wasap.my/79852754433>**

**24 hours service**



**We offer to order all-new armored multi-purpose pickup AMPP “Gunner” based Ford F550 Super Duty 4WD Regular chassis Cab XL with 145 inch wheelbase**

**Effective armor protection in according to DIN EN B6 & B7, NATO STANAG 4569 Level 2a & 2b**

**Multi-purpose appointment for performance of various task and missions**

**Excellent handling and perfect manevrabilty, high traffic in all types of terrain and climatic zones**

**Powerful engine with 6.7L Power Stroke V8 Turbo Diesel and 6-speed Automatic Transmission**



**E-mail: [vpsmotorsgroup@yahoo.com](mailto:vpsmotorsgroup@yahoo.com)**



**Contact us here:**

**<http://www.wasap.my/79852754433>**

**24 hours service**



**We offer to order all-new armored multi-purpose pickup AMPP “Gunner” based Ford F550 Super Duty 4WD Regular chassis Cab XL with 145 inch wheelbase**

**Effective armor protection in according to DIN EN B6 & B7, NATO STANAG 4569 Level 2a & 2b**

**Multi-purpose appointment for performance of various task and missions**

**Excellent handling and perfect manevrabilty, high traffic in all types of terrain and climatic zones**

**Powerful engine with 6.7L Power Stroke V8 Turbo Diesel and 6-speed Automatic Transmission**



**E-mail: [vpsmotorsgroup@yahoo.com](mailto:vpsmotorsgroup@yahoo.com)**



**Contact us here:**

**<http://www.wasap.my/79852754433>**

**24 hours service**



**We offer to order all-new armored multi-purpose pickup AMPP "Gunner" based Ford F550 Super Duty 4WD Regular chassis Cab XL with 145 inch wheelbase**

Effective armor protection in according to DIN EN B6 & B7, NATO STANAG 4569 Level 2a & 2b

Multi-purpose appointment for performance of various task and missions

Excellent handling and perfect maneuverability, high traffic in all types of terrain and climatic zones

Powerful engine with 6.7L Power Stroke V8 Turbo Diesel and 6-speed Automatic Transmission



**BODY STYLE: FORD Regular Chassis Cab F-550 XL**



**- 6.7L Power Stroke® V8 Turbo Diesel engine**



**TorqShift® 6-speed SelectShift® Automatic Transmission (Diesel Engine) / 4X4**



E-mail: [vpsmotorsgroup@yahoo.com](mailto:vpsmotorsgroup@yahoo.com)

**Contact us here:**

**<http://www.wasap.my/79852754433>**

**24 hours service**



# We offer to order all-new armored multi-purpose pickup AMPP "Gunner" based Ford F550 Super Duty 4WD Regular chassis Cab XL with 145 inch wheelbase

Effective armor protection in according to DIN EN B6 & B7, NATO STANAG 4569 Level 2a & 2b

Multi-purpose appointment for performance of various task and missions

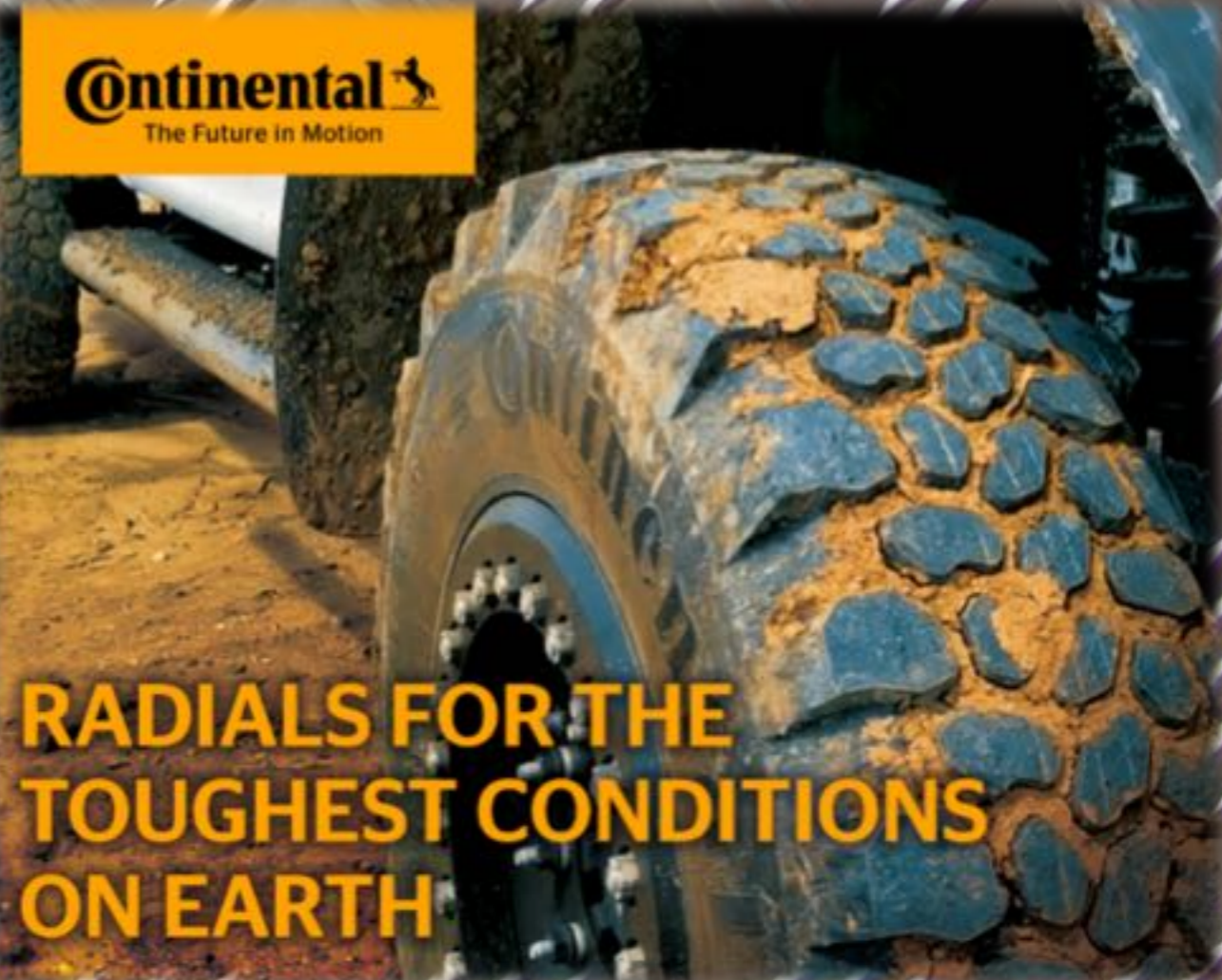
Excellent handling and perfect maneuverability, high traffic in all types of terrain and climatic zones

Powerful engine with 6.7L Power Stroke V8 Turbo Diesel and 6-speed Automatic Transmission

- Excellent traction muddy, snowy and icy conditions
- Ideal for high speed On-and-Off road operation
- Carry high loads at highway speeds
- Self-cleaning
- Low vibration and low noise

Super single wheels and tires for HD military vehicles Continental Tire has specially certified our wheel/tire application for 7400lbs. That is 9% above the original rating and is exclusively available for manufacturer only. The tires options are:

- 335/80 R20 (42in) Continental MPT 81 tires.
- 365/80 R20 (44in) Continental MPT 81 tires.



E-mail: [vpsmotorsgroup@yahoo.com](mailto:vpsmotorsgroup@yahoo.com)



Contact us here:

<http://www.wasap.my/79852754433>

24 hours service



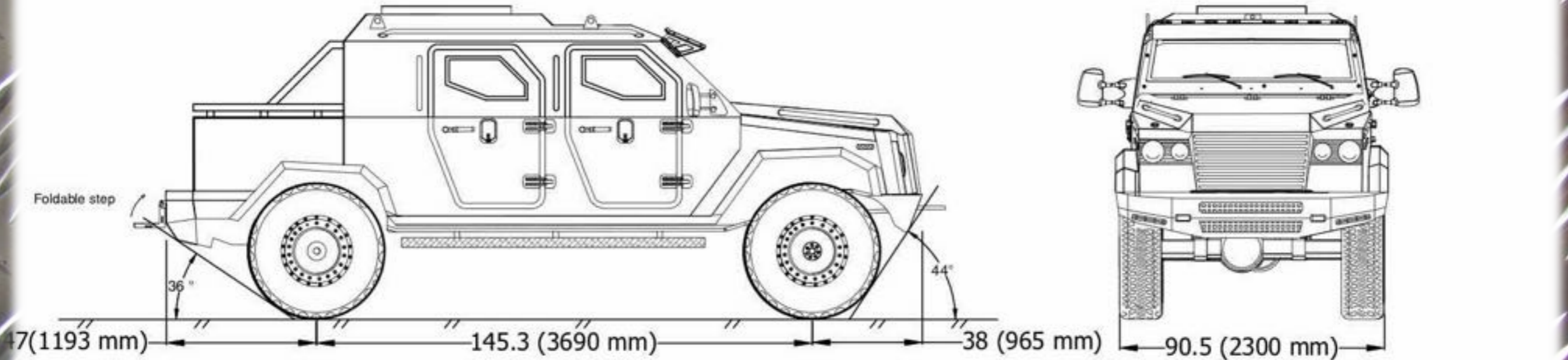
# We offer to order all-new armored multi-purpose pickup AMPP "Gunner" based Ford F550 Super Duty 4WD Regular chassis Cab XL with 145 inch wheelbase

Effective armor protection in according to DIN EN B6 & B7, NATO STANAG 4569 Level 2a & 2b

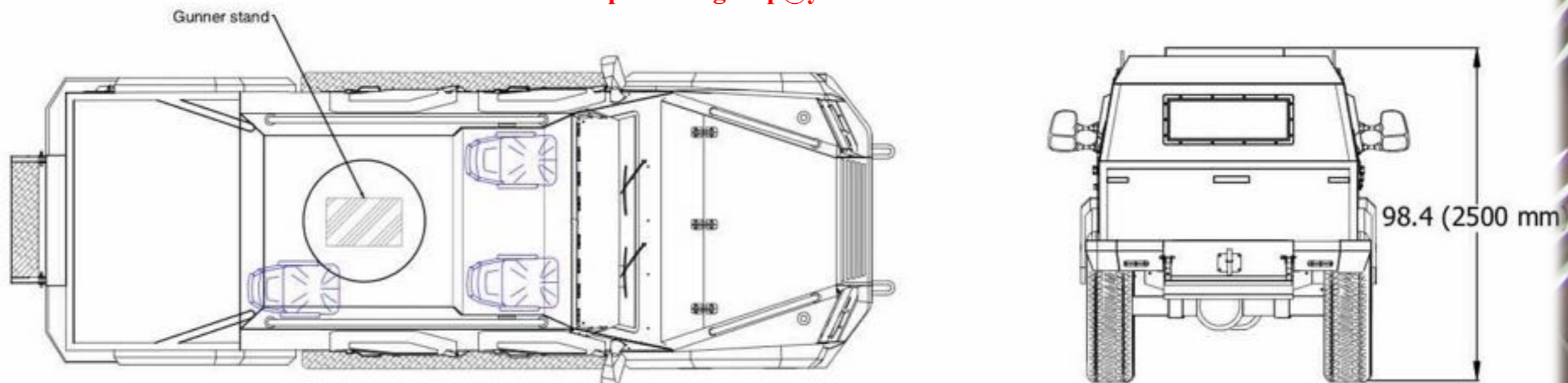
Multi-purpose appointment for performance of various task and missions

Excellent handling and perfect maneuverability, high traffic in all types of terrain and climatic zones

Powerful engine with 6.7L Power Stroke V8 Turbo Diesel and 6-speed Automatic Transmission



E-mail: [vpsmotorsgroup@yahoo.com](mailto:vpsmotorsgroup@yahoo.com)



Contact us here:

<http://www.wasap.my/79852754433>

24 hours service