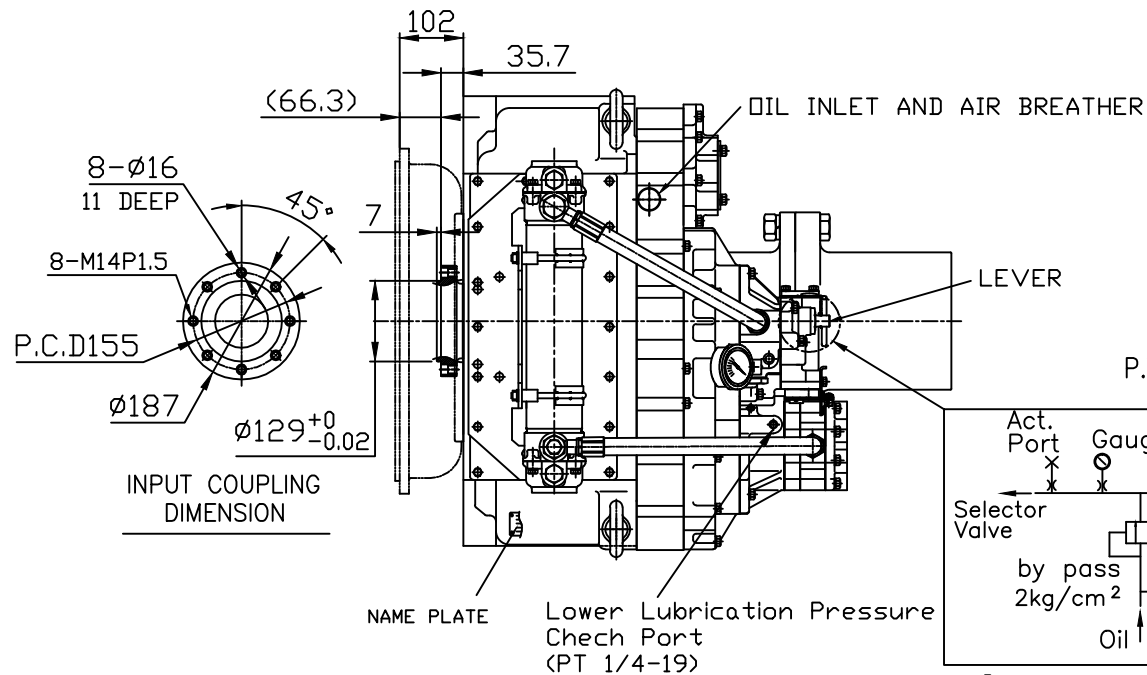
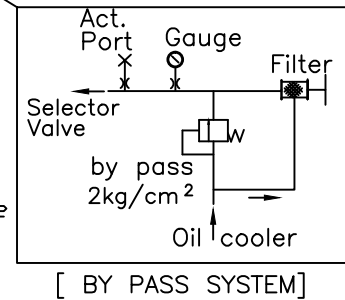


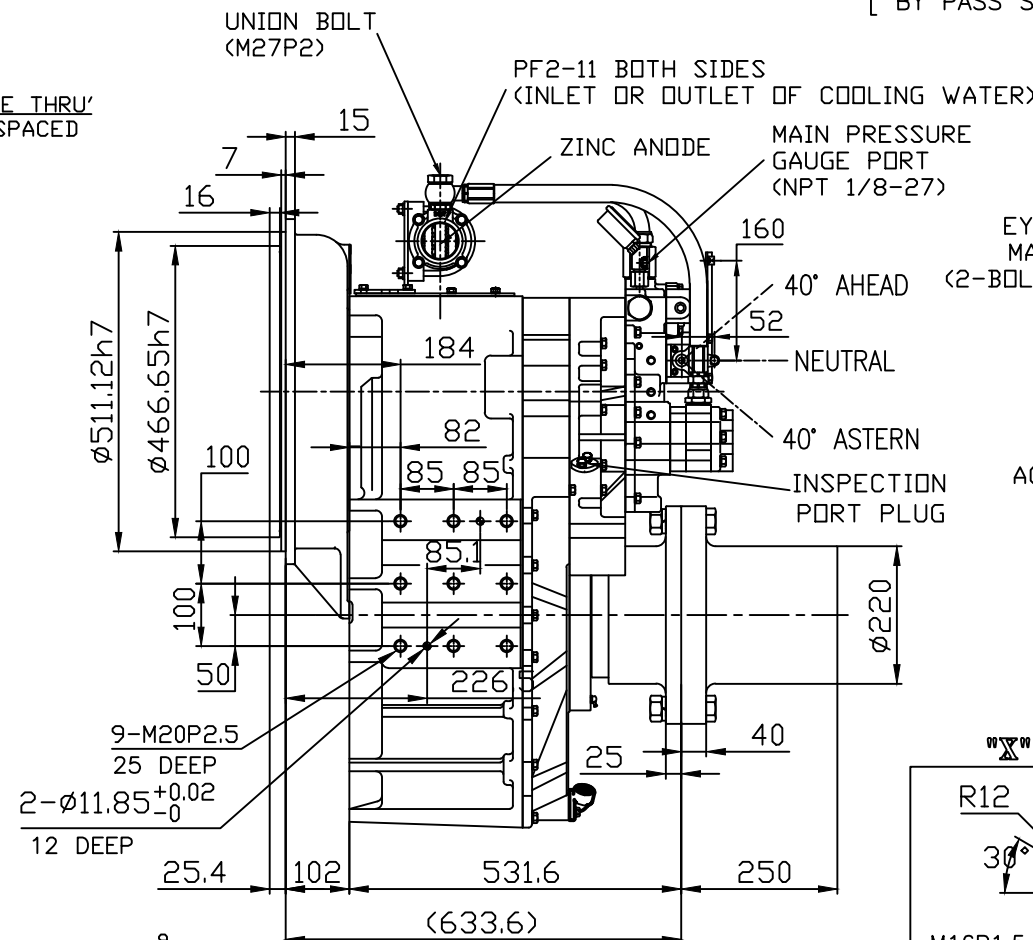
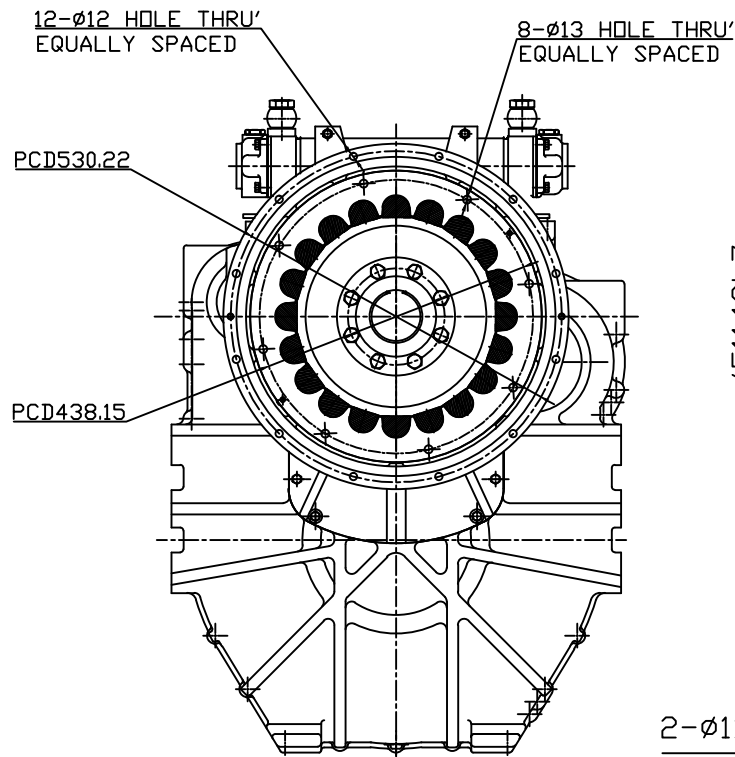
OUTPUT SHAFT COUPLING & PROPELLER COUPLING DIMENSION



INPUT COUPLING DIMENSION



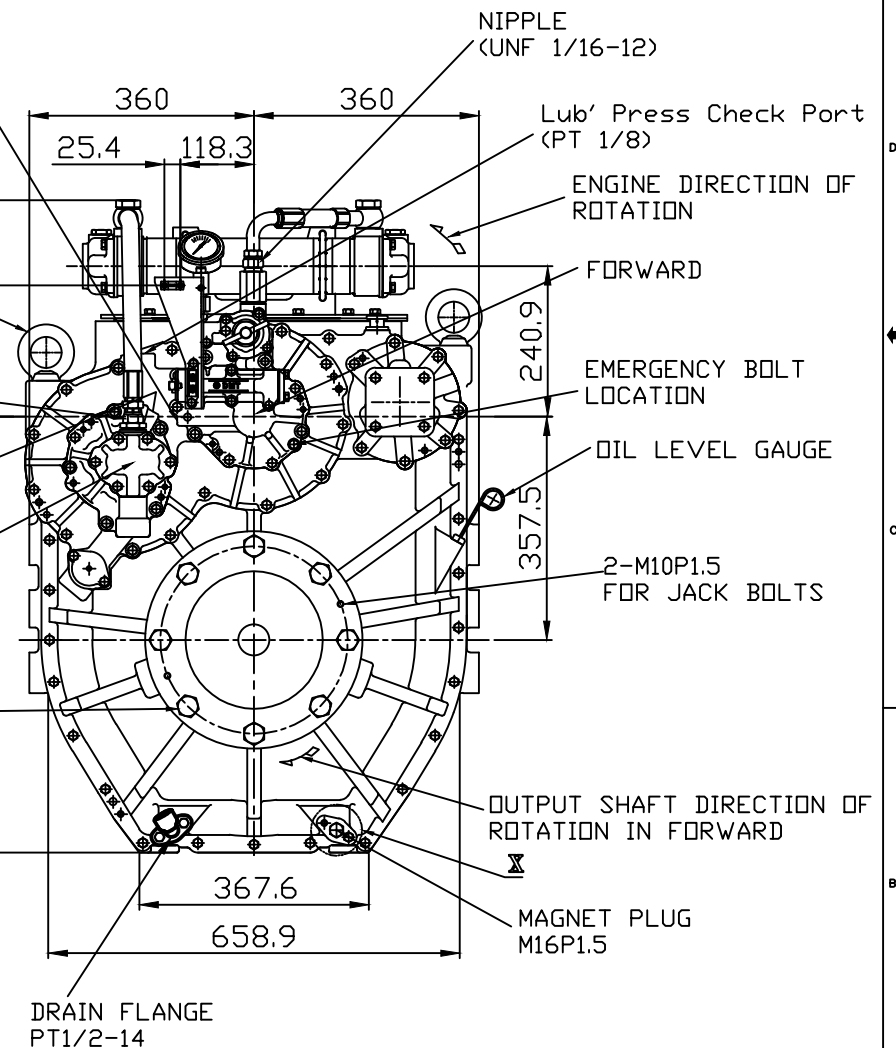
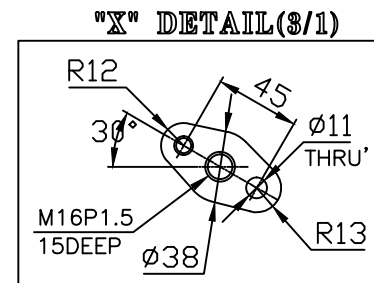
DMT400HL MARINE TRANSMISSION SPECIFICATION		
GEAR RATIO	3.02, 3.28, 3.56, 4.07, 4.48, 4.95	
TOTAL WEIGHT	APPROX. 950 Kg(DRY)	
OIL CAPACITY	APPROX. L	
OIL VISCOSITY	SAE # 30	
OIL PRESSURE	1.96 ~ 2.54 MPa	CLUTCH OIL
DIRECTION OF ROTATION	INPUT	C.C.W VIEWED FROM THE STERN
	OUTPUT	C.W VIEWED FROM THE STERN
OIL CHANGE INTERVAL	THE FIRST 100HOURS OF INITIAL OPERATION AND EVERY 1000HOURS THEREAFTER	
SHIFTING LIMIT	UNDER 50% OF THE RATED ENGINE SPEED	
OIL COOLER	WATER FLOW	90 ~ 120 L/min
	TEMPERATURE OF COOLING WATER	MAX 32°C
OPERATING TORQUE OF SHIFTING LEVER	UNDER 2.94Nm	



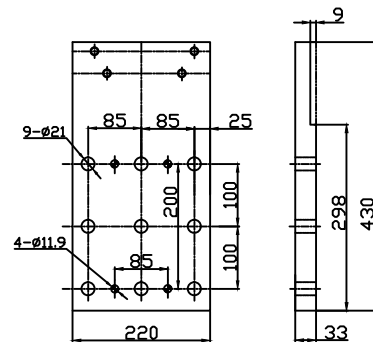
FORWARD CLUTCH ACTUATING PRESSURE (PT 1/8-28)

EYEBOLT FOR LIFTING MARINE TRANSMISSION (2-BOLTS ONE EACH SIDE)

REVERSE CLUTCH ACTUATING PRESSURE (PT 1/8-28)



- REMARK
- 1.HOUSING : SAE# 1
  - 2.DRIVING RING : SAE 14"
  - 3.COULING TYPE : RUBBER



BRACKET DIMENSION

공통공차 TOLERANCE ON	번호 NO.	품명 PART NO.	명명 PART NAME	개수 QTY	재질 MATERIAL	규격 SIZE	비고 REMARKS
분수 FRACTIONS							
소수 DECIMALS							
각도 ANGLES							
±							
필수 기공							
구분	조립	중공	정공				
1 초과 4 이하	± 0.3	± 0.1	± 0.05				
4 16	± 0.5	± 0.2	± 0.07				
16 63	± 0.7	± 0.3	± 0.1				
63 250	± 1.2	± 0.5	± 0.2				
250 1000	± 2.0	± 0.8	± 0.3				
제 MATERIAL	작성 DATE 2012.05.10	척도 SCALE N/S	형식 TYPE DMT400HL	품명 NAME MARINE TRANSMISSION	도번 DWG. NO. 45000GHA~F-114RC	기호 SIZE A 3	비고 REMARKS ORIGINAL DWG. NO. 000
승인 APPROVED BY JK.Kim	검토 CHECKED BY KS.Han	제도 DRAWN KC.Yoon	설계 DESIGNED				
D-I INDUSTRIAL				코드 번호 CODE ID. NO.			