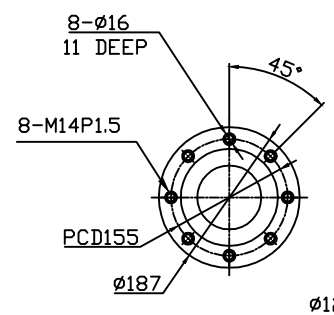
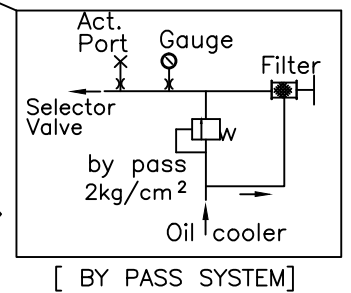
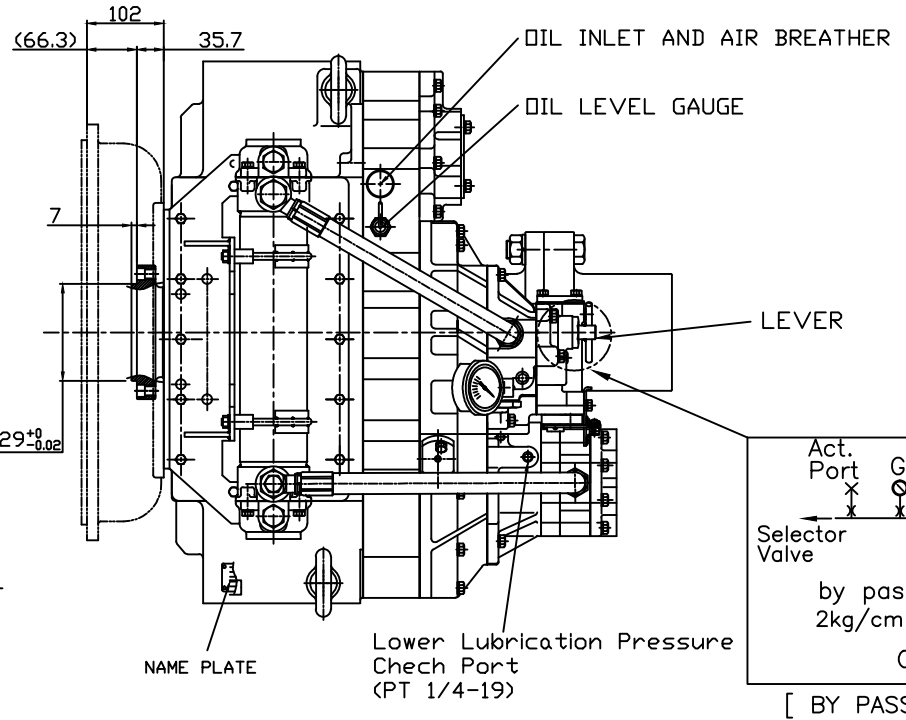


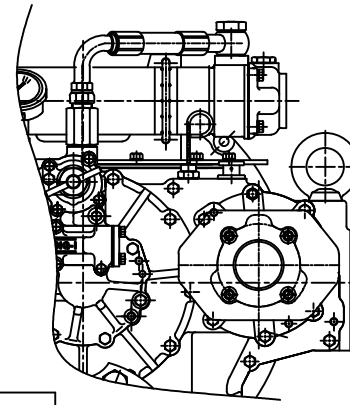
OUTPUT SHAFT COUPLING & PROPELLER COUPLING DIMENSION



INPUT COUPLING DIMENSION

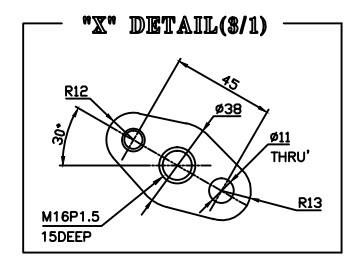
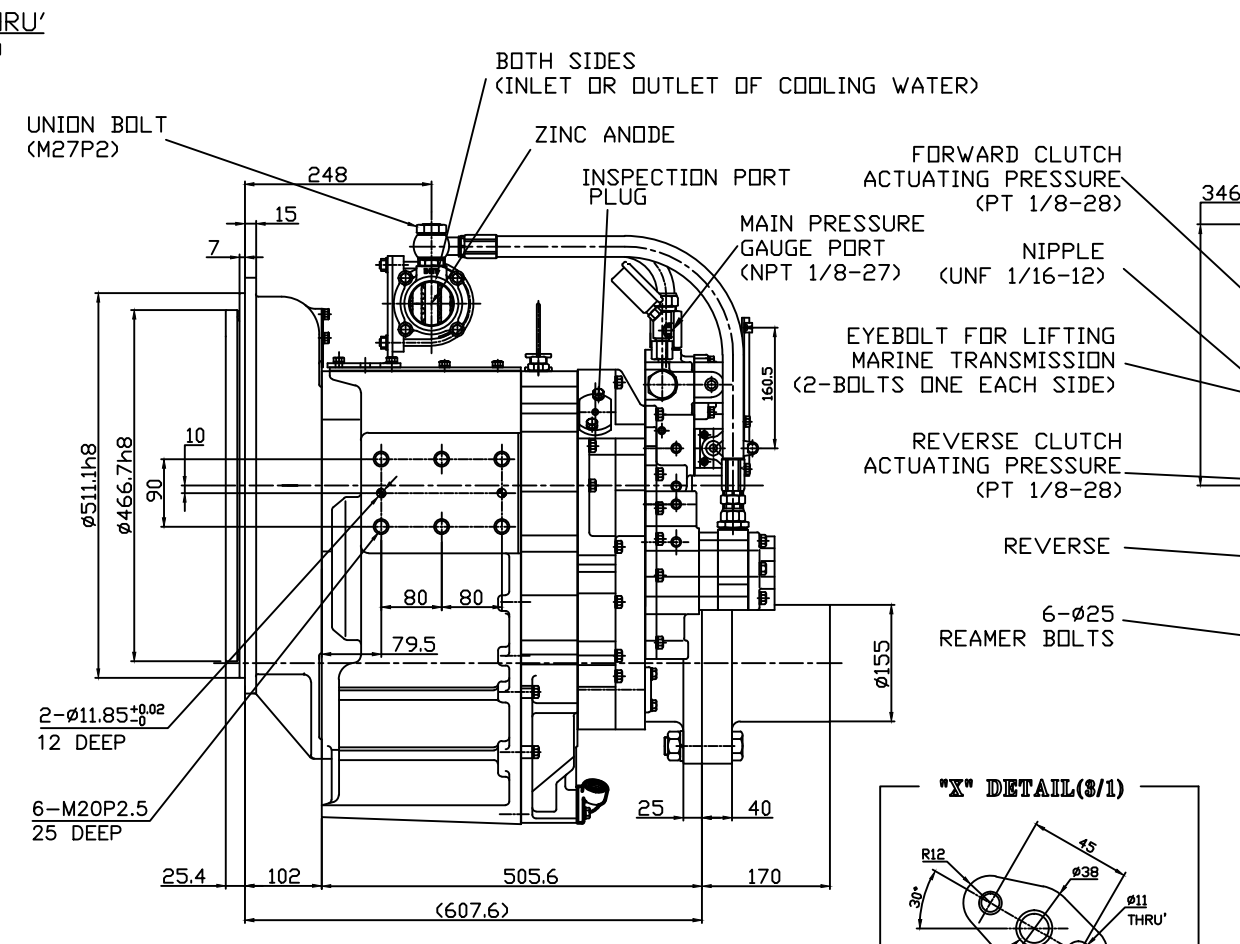
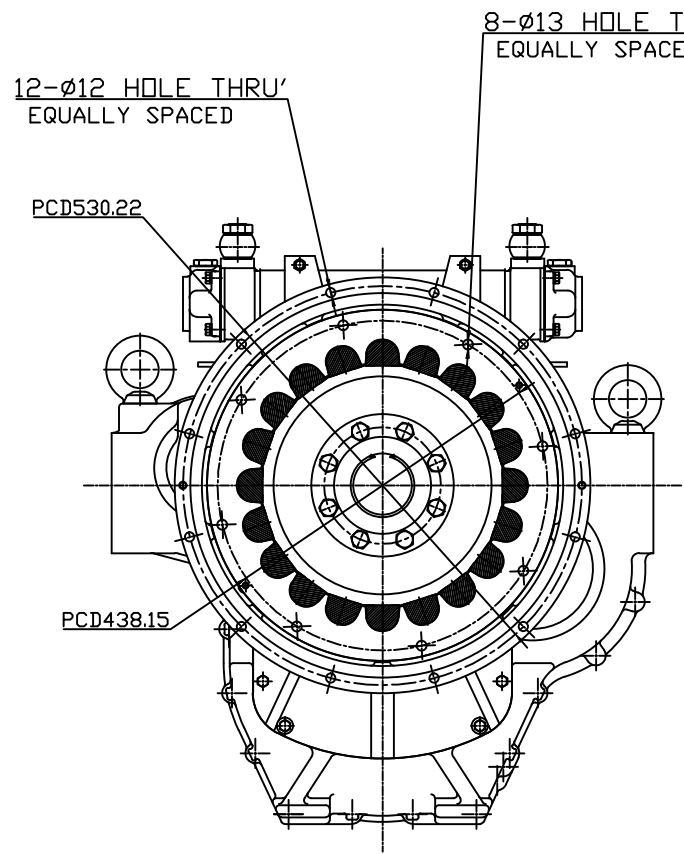


[ BY PASS SYSTEM ]

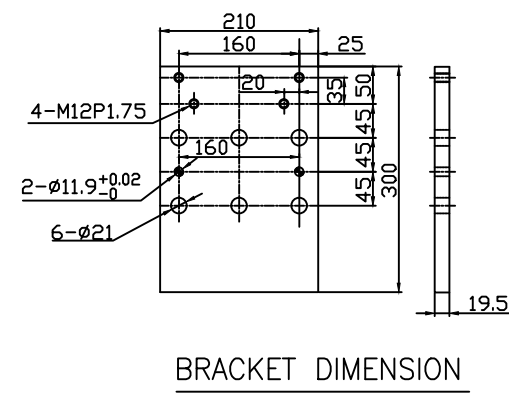


P.T.O ATTACHED

DMT400H MARINE TRANSMISSION SPECIFICATION	
GEAR RATIO	1.43, 1.72, 2.03, 2.46, 2.75
TOTAL WEIGHT	APPROX. 660 Kg(DRY)
OIL CAPACITY	APPROX. 9 L
OIL VISCOSITY	SAE # 30
OIL PRESSURE	1.96 ~ 2.54 MPa CLUTCH OIL
DIRECTION OF ROTATION	INPUT C.C.W VIEWED FROM THE STERN
IN FORWARD	OUTPUT C.W VIEWED FROM THE STERN
OIL CHANGE INTERVAL	THE FIRST 100HOURS OF INITIAL OPERATION AND EVERY 1000HOURS THEREAFTER
SHIFTING LIMIT	UNDER 50% OF THE RATED ENGINE SPEED
OIL COOLER	WATER FLOW 40 ~ 60 L/m TEMPERATURE OF COOLING WATER MAX 32°C
OPERATING TORQUE OF SHIFTING LEVER	UNDER 2.94Nm



- REMARK
- 1.HOUSING : SAE# 1
  - 2.DRIVING RING : SAE 14"
  - 3.COULING TYPE : RUBBER



BRACKET DIMENSION

公差公差 TOLERANCE ON			번호 NO.	품명 PART NO.	품명 PART NAME	개수 Q'TY	재질 MATERIAL	규격 SIZE	비고 REMARKS
분수 FRACTIONS	소수 DECIMALS	각도 ANGLES	재료 MATERIAL		형식 TYPE	원도번 ORIGINAL DWG. NO.			
±	±	±	DATE 2012.05.10		SCALE N/S	DMT400H			
필사 가공			승인 APPROVED BY JK.Kim	검도 CHECKED BY KS.Han	제도 DRAWN KC.Yoon	MARINE TRANSMISSION			
1	16	±0.3 ±0.1 ±0.05	DWG. NO. 40000GA~E-114RC		개형(REV.) 000				
4	63	±0.5 ±0.2 ±0.07	D-I INDUSTRIAL		크기 SIZE A 3 코드번호 CODE ID. NO.				
16	63	±0.7 ±0.3 ±0.1							
63	250	±1.2 ±0.5 ±0.2							
250	1000	±2.0 ±0.8 ±0.3							