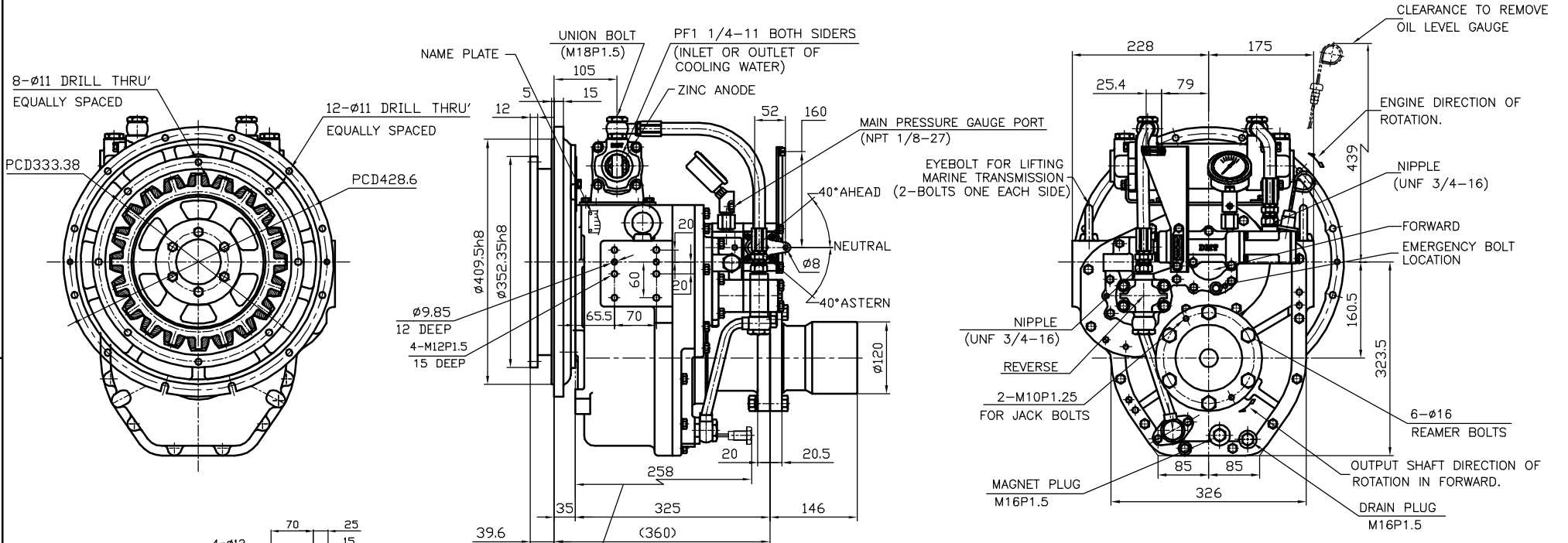
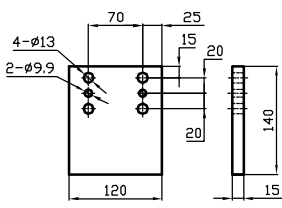


DMT100T MARINE TRANSMISSION SPECIFICATION		
GEAR RATIO	1.61, 2.06, 2.45, 2.82	
TOTAL WEIGHT	APPROX 162 kg(DRY)	
OIL CAPACITY	APPROX. 3.5 L	
OIL VISCOSITY	SAE # 30	
OIL PRESSURE	1.96 ~ 2.35 MPa	CLUTCH OIL
DIRECTION OF ROTATION	INPUT	C.C.W VIEWED FROM THE STERN
	OUTPUT	C.W VIEWED FROM THE STERN
OIL CHANGE INTERVAL	THE FIRST 100HOURS OF INITIAL OPERATION	
	AND EVERY 1000HOURS THEREAFTER	
SHIFTING LIMIT	UNDER 50% OF THE RATED ENGINE SPEED	
	WATER FLOW 40 ~ 60 L/min	
OIL COOLER	TEMPERATURE OF COOLING WATER	
	MAX 32 °C	
OPERATING TORQUE OF SHIFTING LEVER	UNDER 2.94Nm	



- REMARK**
- HOUSING: SAE#3
 - DRIVING RING: SAE 11.5"
 - COULING TYPE : RUBBER



TOLERANCE ON			PART NO.		PART NAME		QTY		MATERIAL		SIZE		REMARKS	
FRACTIONS	DECIMALS	ANGLES	NO.	REV	TYPE	SCALE	DATE	DATE	SCALE	TYPE	NO.	REV	NO.	NO.
±	±	±	2012.08.18 <td>N/S <td>DMT100T <td></td> <td></td> <td></td> <td></td> <td></td> <td></td> <td></td> <td></td> <td></td> </td></td>	N/S <td>DMT100T <td></td> <td></td> <td></td> <td></td> <td></td> <td></td> <td></td> <td></td> <td></td> </td>	DMT100T <td></td> <td></td> <td></td> <td></td> <td></td> <td></td> <td></td> <td></td> <td></td>									
1/16	0.0625	0.1	APPROVED BY	CHECKED BY	NAME	DMT100T								
1/8	0.125	0.2	JK.Kim	KS.Han	MARINE TRANSMISSION									
3/16	0.1875	0.3												
1/4	0.25	0.5												
5/16	0.3125	1.0												
3/8	0.375	2.0												
1/2	0.5	4.0												
3/4	0.75	8.0												
1	1.0	16.0												

D-I INDUSTRIAL

SIZE **A3** CODE ID. NO.