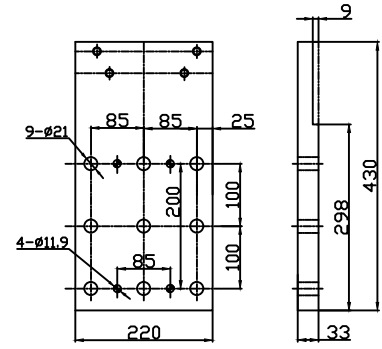
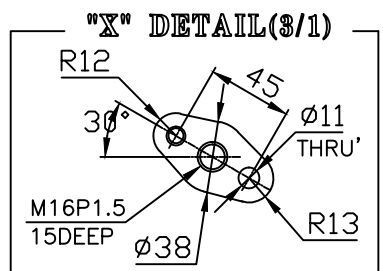
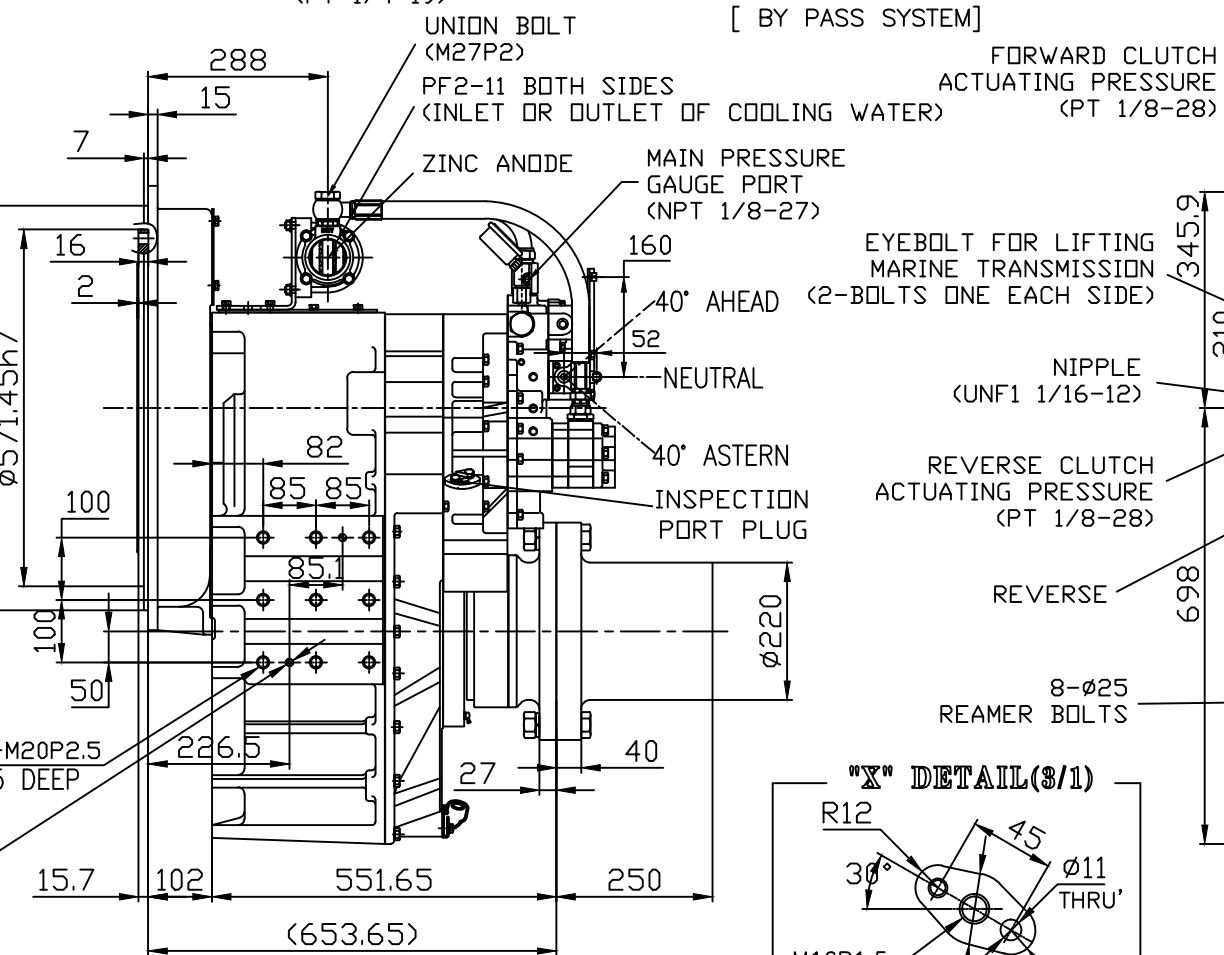
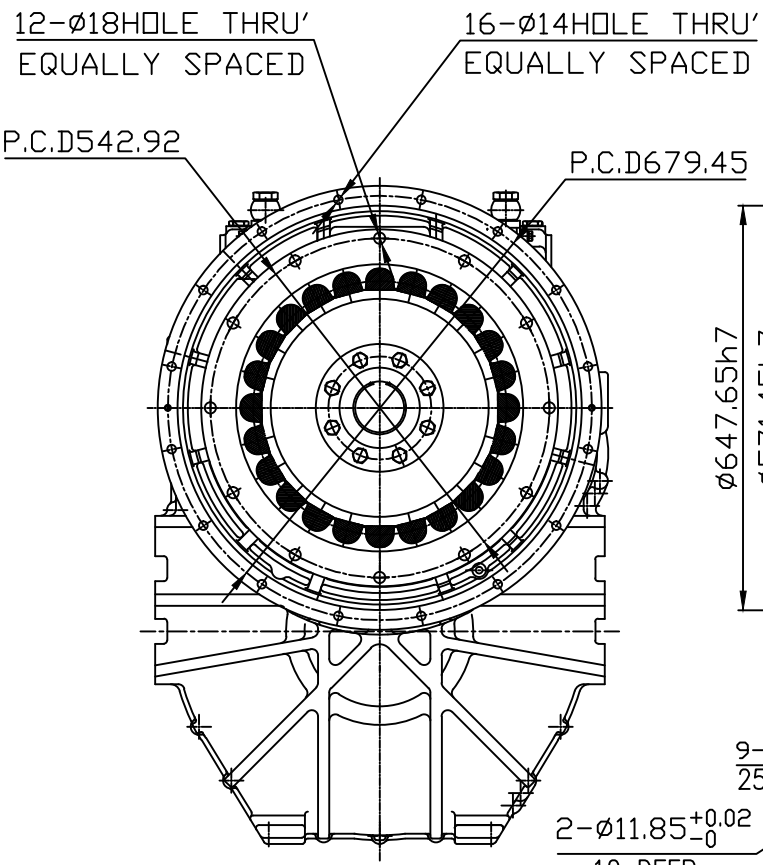


DMT550HL MARINE TRANSMISSION SPECIFICATION	
GEAR RATIO	3.02, 3.28, 3.56, 4.07, 4.48, 4.95
TOTAL WEIGHT	APPROX. 1080 Kg(DRY)
OIL CAPACITY	APPROX. 16 L
OIL VISCOSITY	SAE # 30
OIL PRESSURE	1.96 ~ 2.54 MPa CLUTCH OIL
DIRECTION OF ROTATION IN FORWARD	INPUT C.C.W VIEWED FROM THE STERN OUTPUT C.W VIEWED FROM THE STERN
OIL CHANGE INTERVAL	THE FIRST 100HOURS OF INITIAL OPERATION AND EVERY 1000HOURS THEREAFTER
SHIFTING LIMIT	UNDER 50% OF THE RATED ENGINE SPEED
OIL COOLER	WATER FLOW 90 ~ 120 L/m TEMPERATURE OF COOLING WATER MAX 32°C
OPERATING TORQUE OF SHIFTING LEVER	UNDER 2.94Nm



- REMARK
- 1.HOUSING : SAE#0
  - 2.DRIVING RING : SAE 18"
  - 3.COULING TYPE : RUBBER

공통공차 TOLERANCE ON				번호 NO.	품 PART NO.	품 PART NAME	개수 Q'TY	재 MATERIAL	규 SIZE	비 REMARKS
분수 FRACTIONS	소수 DECIMALS	각도 ANGLES	±	원 MATERIAL	작상 DATE 2012.05.10	척도 SCALE N/S	명 TYPE	DMT550HL	원도 ORIGINAL DWG. NO.	
±	±	±	±	인 APPROVED BY JK.Kim	검토 CHECKED BY KS.Han	제도 DRAWN KC.Yoon	식 NAME	MARINE TRANSMISSION	계정 (REV.) 000	
±0.3	±0.1	±0.05		도 DWG. NO.	55000GHA~F-018RC	크기 SIZE	A 3	코드 번호 CODE ID. NO.		
±0.05	±0.07	±0.1		D-I INDUSTRIAL						
±0.1	±0.2	±0.2								
±0.2	±0.5	±0.3								
±0.3	±1.2	±0.5	±0.2							
±0.5	±2.0	±0.8	±0.3							