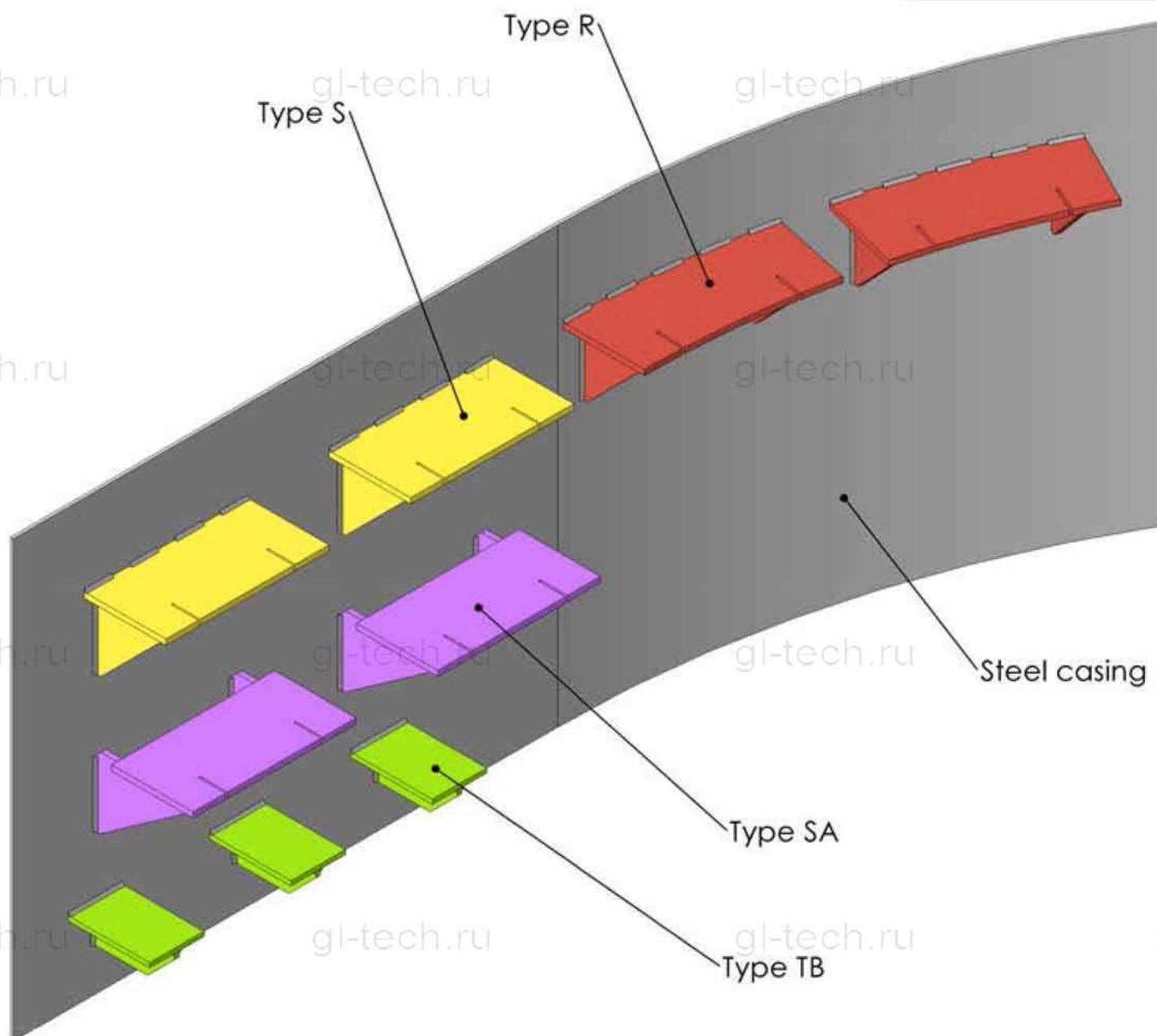


SUPPORT BRACKETS

TYPICAL ALLOYS:

- AISI 304
- AISI 309S
- AISI 310 S
- AISI 330
- Inc 601

Other alloys on request



TYPICAL SKETCHES - Manufactured according to customer design



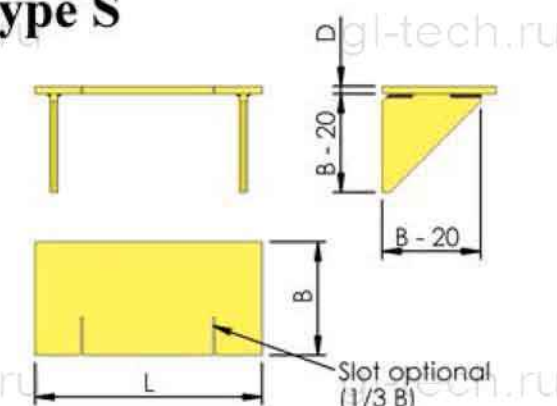
IRIS - Industrial Refractories & Insulating Specialities
Parc d'Activités Aéroport Ouest - Rouvignies - F - 59328 VALENCIENNES Cedex (France)

Tél : +33 (0)3.27.21.52.80
E-mail: contact@irisfrance.com

Fax : +33 (0)3.27.21.52.99
Web: www.irisfrance.com

This drawing is the property of IRIS. Unauthorised use of patented features and/or reproduction of this drawing is strictly prohibited

Type S

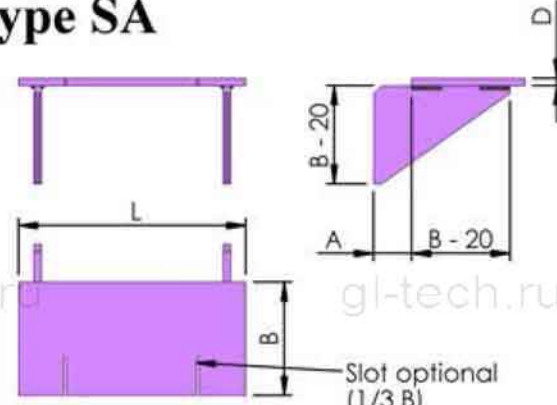


DESIGNATION EXAMPLE

S.10 - 300 - 150 - 2 - 310S

Support type Length L Length B Number of gusset plate Alloy
 Thickness D (other alloys on request)

Type SA

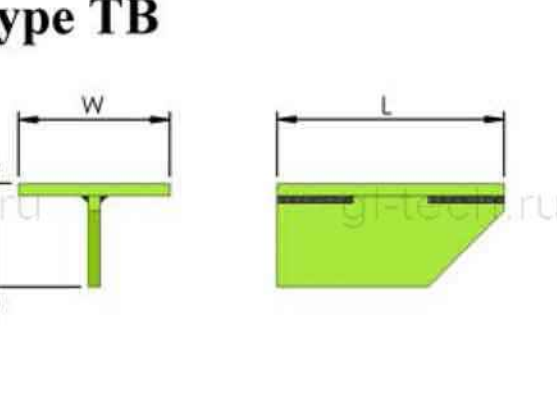


DESIGNATION EXAMPLE

SA.10 - 300 - 150 - 50 - 2 - 304

Support type Length L Length A Number of gusset plate Alloy
 Thickness D Length B (other alloys on request)

Type TB

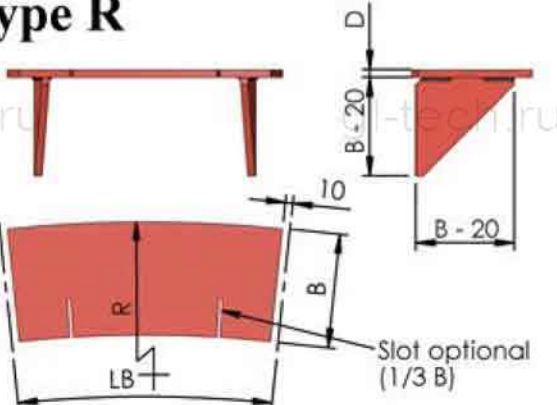


DESIGNATION EXAMPLE

TB - 150 - 100 - 70 - 8 - 310S

Support type Length L Length W Thickness Alloy
 Length H (other alloys on request)

Type R



DESIGNATION EXAMPLE

R.10 - 3000 - 350 - 150 - 2 - 304

Support type Radius R Length B Number of gusset plate Alloy
 Thickness D Length LB (other alloys on request)



IRIS - Industrial Refractories & Insulating Specialities
 Parc d'Activités Aéroport Ouest - Rouvignies - F - 59328 VALENCIENNES Cedex (France)

Tél : +33 (0)3.27.21.52.80 Fax : +33 (0)3.27.21.52.99
 E-mail: contact@irisfrance.com Web: www.irisfrance.com

This drawing is the property of IRIS. Unauthorised use of patented features and/or reproduction of this drawing is strictly prohibited