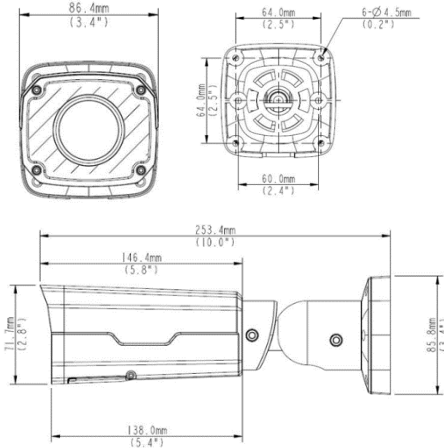


TBN22R

2MP VF Network IR Bullet Camera



Key Features

Optics

- Day/night functionality
- Smart IR, up to 30m (98ft) IR distance
- 3D DNR (Digital Noise Reduction)

Compression

- H.264, MJPEG
- Triple streams
- 9:16 corridor mode

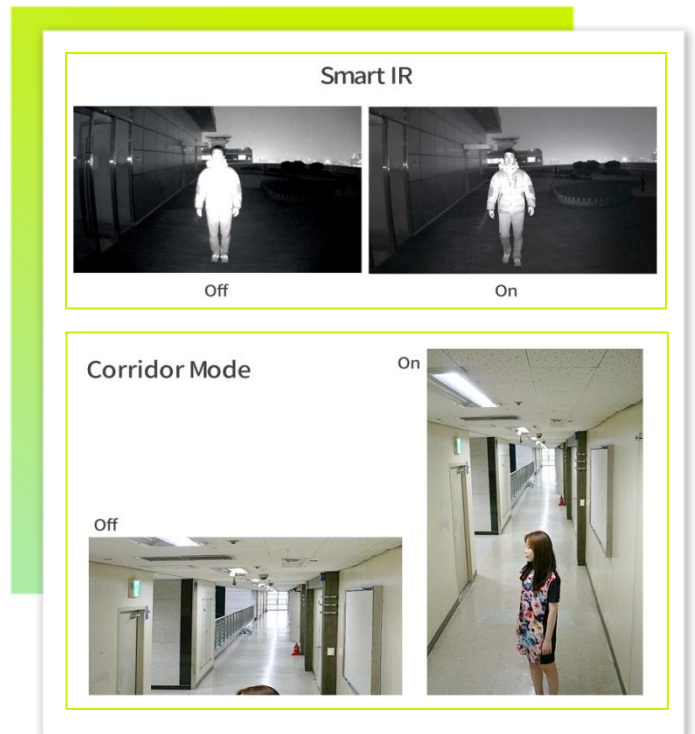
Network

- ONVIF Conformance

Structure

- Support PoE power supply
- Wide temperature range: -35°C to 60°C (-31°F to 140°F)
- Wide voltage range of $\pm 25\%$
- IP67

Image



Accessories



AJB231

Dimensions : 126mm x 125mm x 55mm

Weight : 0.72Kg

Specifications

TBN22R	
Camera	
Sensor	1/2.7", 2 Megapixel, progressive scan CMOS
Shutter	Auto/Manual, 1/6~1/100000s
Lens	2.8~12 mm@F1.4; Angle of view: 90° ~ 28°
Zoom/Focus	Manual
Min. Illumination	Colour: 0.06 Lux (F1.4, AGC ON) 0 Lux with IR on
Day/Night	IR-cut filter with auto switch (ICR)
S/N	≥52dB
Video	
Max. Resolution	1920 x 1080
Video Compression	H.264, MJPEG
Frame Rate	1080P (1920*1080): Max. 30 fps; 720P (1280*720): Max. 1 fps; CIF (352*288): Max. 1 fps
9:16 Corridor Mode	Supported
ROI	Supported
Video Streaming	Triple
Evaluative Metering	Supported
OSD	Up to 8 OSDs
Privacy Mask	Up to 4 areas
Audio	
Audio Compression	G.711
Two-way audio	Supported
Storage	
Edge Storage	Micro SD, Up to 128 GB
Network	
Protocols	L2TP,IPv6,IPv4,IGMP,ICMP,ARP,TCP,UDP,DHCP,PPPoE,RTP,RTSP, NTP,FTP,HTTP
Compatible Integration	ONVIF, API
Interface	
Audio I/O	Audio cable
	Input: impedance 35 kΩ; amplitude 2 V [p-p]
	Output: impedance 600 Ω; amplitude 2 V [p-p]
Alarm I/O	1/ 1
Network	10M/100M Base-TX Ethernet
General	
Power	12V DC, or PoE (IEEE802.3 af)
	Power consumption: Max 8W
Material	Cast aluminum
Dimensions (L × W × H)	253.4 × 86 × 71.7 mm (9.98" × 3.4" × 2.8")
Weight	0.58kg (1.28lb)
Working Environment	-35°C ~ +60°C (-31°F ~ 140°F), Humidity ≤ 95% RH(non-condensing)
Ingress Protection	IP67