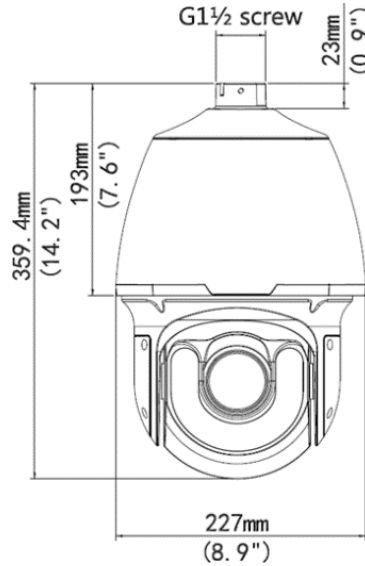




TPS94R-x22

4K Ultra-HD Network IR PTZ



Key Features

Optics

- Accurate and fast focusing
- 22X Optical Zoom
- Fourth-generation infrared technology, more than 150m (492ft) IR distance
- IR anti-reflection window to increase the infrared transmittance
- Optical glass window with higher light transmittance
- Smart IR

Compression

- 12 Megapixel image
- H.264 High Profile
- Triple streams
- Customized OSD

Network

- Network auto-adaptability
- ONVIF Conformance

Structure

- Innovative snow-removing functionality
- Intelligent temperature control technology
- More effective heat dissipation system
- 6KV surge protection designed for network interface

Image

Ultra High Resolution 4K / 12MP



Accessories



AWM331

Dimensions : 230.3mmx141mmx201.5mm
Weight : 0.79Kg



APE331

Dimensions : 215mmx170mmx52mm
Weight : 1.47Kg



APM331

Dimensions : Φ 116.5mmx239mm
Weight : 0.67Kg



ACM331

Dimensions : 215mmx210mmx122mm
Weight : 1.87Kg

Specifications

TPS94R-x22	
Camera	
Sensor	1/1.7" progressive scan, 12 megapixel, CMOS
Focus/Zoom	6.5~ 143 mm (22x optical zoom)
Angle of View (H)	72° (wide) ~ 3.07° (tele)
Iris	Auto/Manual, F1.5 ~ F3.4
Shutter	Auto/Manual, shutter time: 1/6 s ~ 1/8000 s
Minimum Illumination	Colour: 0.02 lux (F1.5, 50IRE) 0 lux with IR
Day/Night	IR-cut filter with auto switch (ICR)
S/N	>55dB
Video	
Video Compression	H.264
Frame Rate	12MP (4000×3000): Max. 20 fps; 4K (3840×2160): Max. 30 fps
Video Streaming	Triple
OSD	Time OSD, custom OSD
Privacy Mask	Supported
Audio	
Audio Compression	G.711
Two-way audio	Supported
Storage	
Edge Storage	Micro SD, Up to 128 GB
Network	
Protocols	L2TP, IPv4, IGMP, ICMP, ARP, TCP, UDP, DHCP, RTP, RTSP, DNS, DDNS, NTP, FTP, UPnP, HTTP, SNMP, SIP
Compatible Integration	ONVIF, API
Pan & Tilt	
Pan Range	360°
Pan Speed	0.1°/s ~ 240°/s Preset speed: 300°/s
Tilt Range	-15° ~ +90°(auto reverse)
Tilt Speed	0.1° ~ 160°/s Preset speed: 240°/s
Number of Preset	256
Patrol	Preset patrol, route patrol, recorded patrol
Home Position	Supported
Interface	
Audio I/O	Audio interface
	1 Input: impedance 35 kΩ; amplitude 2 V [p-p] 1 Output: impedance 600 Ω; amplitude 2 V [p-p]
Alarm I/O	2 alarm inputs, 1 alarm output
Serial Port	1 RS485
Network	10M/100M Base-TX adaptive Ethernet
Video Output	1 BNC, impedance 75 Ω; amplitude 1 V [p-p]
General	
Power	24 V AC±25% (default power supply), 24 V DC±25%
	Power consumption: 14 W ~ 48 W
Dimensions (Ø x H)	Ø227 mm x 359.4 mm (Ø8.9" x 14.2")
Weight	5.5 kg (12.1lb)
Working Environment	-40°C ~ +70°C (-40°F ~ 158°F), Humidity ≤ 90% RH(non-condensing)
Ingress Protection	IP66