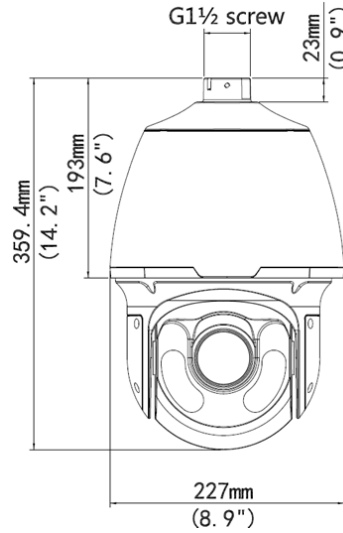




TPN24R-x30

2MP 30x IR Network PTZ



Key Features

Optics

- 30X Optical Zoom
- Accurate and fast focusing
- Smart IR, up to 150m (492ft) IR distance
- Optical glass window with higher light transmittance
- IR anti-reflection window to increase the infrared transmittance

Compression

- H.265, H.264, MJPEG
- Embedded smart algorithm
- Triple streams

Network

- ONVIF Conformance

Structure

- Innovative snow-removing functionality
- More effective heat dissipation system
- Intelligent temperature control technology
- 6KV surge protection designed for network interface

Image

30x Optical Zoom



Accessories



AWM331

Dimensions : 230.3mmx141mmx201.5mm
Weight : 0.79Kg



APE331

Dimensions : 215mmx170mmx52mm
Weight : 1.47Kg



APM331

Dimensions : Φ 116.5mmx239mm
Weight : 0.67Kg



ACM331

Dimensions : 215mmx210mmx122mm
Weight : 1.87Kg

Specifications

TPN24R-x30	
Camera	
Sensor	1/3", 2 megapixel, progressive scan, CMOS
Focus/Zoom	4.5 ~ 135mm (30x optical zoom)
Angle of View (H)	62.9° (wide) ~ 2.3° (tele)
Iris	Auto/Manual; F1.6 ~ F4.4
Shutter	Auto/Manual; shutter time: 1/6 s ~ 1/100000 s
Minimum Illumination	Colour: 0.03 lux (F1.6, AGC ON) 0 lux with IR
Day/Night	IR-cut filter with auto switch (ICR)
S/N	>52dB
Video	
Max. Resolution	1920× 1080
Video Compression	H.265, H.264, MJPEG
Frame Rate	1080P (1920*1080): Max. 30 fps; 720P (1280*720): Max. 30 fps; D1 (720*576): Max. 30 fps
Video Streaming	Triple
HLC	Supported
Evaluative Metering	Supported
OSD	Up to 8 OSDs
Privacy Mask	Up to 8 areas
Digital Zoom	Supported
Smart	
Behavior Detection	Intrusion, crossing line, motion detection
Exception Detection	Audio detection
Intelligent Identification	Face detection
Statistical Analysis	People counting
Audio	
Audio Compression	G.711
Two-way audio	Supported
Storage	
Edge Storage	Micro SD, Up to 128 GB
Network	
Protocols	L2TP, IPv6, IPv4, IGMP, ICMP, ARP, TCP, UDP, DHCP, PPPoE, RTP, RTSP, RTCP, DNS, DDNS, NTP, FTP UPnP, HTTP, HTTPS, SMTP, 802.1x
Compatible Integration	ONVIF, API
Pan & Tilt	
Pan Range	360° (endless)
Pan Speed	0.1°/s ~ 240°/s Preset speed: 300°/s
Tilt Range	-15° ~ +90° (auto reverse)
Tilt Speed	0.1° ~ 160°/s Preset speed: 240°/s
Number of Preset	256
Patrol	Up to 16 patrols, up to 32 presets per patrol Note: The total number of patrols and patterns is 16.
Pattern	Up to 16 patterns, with the total recording time not less 15 minutes per pattern
Interface	
Audio I/O	Audio cable Input: impedance 35 kΩ; amplitude 2 V [p-p] Output: impedance 600 Ω; amplitude 2 V [p-p]
Alarm I/O	1 / 1
Network	1 RJ45 10M/100M Base-TX Ethernet
General	
Power	24 V AC, 24 V DC, PoE(PSE Required) Power consumption: 9 ~ 42W (IR:16W, heater: Max. 24 W)
Dimensions (Ø x H)	Ø227 x 359.4 mm (Ø8.9" x 14.2")
Weight	5.28 kg (11.6lb)
Working Environment	-40°C ~ +65°C (-40°F ~ 149°F), Humidity ≤ 95% RH(non-condensing)
Ingress Protection	IP66