

1

2

3

4

A

A

Designator
SOM_AM3359_DDR3.SchDoc



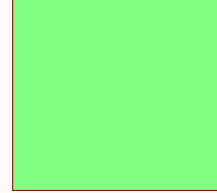
Designator
SOM_AM335X_CONN.SchDoc



Designator
SOM_AM335X_ETH.SchDoc



Designator
SOM_AM335X_AUDIO.SchDoc



B

B

Designator
SOM_AM335X_FLASH.SchDoc



Designator
SOM_AM335X_PWR.SchDoc



Designator
SOM_AM335X_WLAN.SchDoc



Designator
SOM_AM335X_CPUIO.SchDoc



Designator
SOM_AM335X_PMIC.SchDoc



C

C

D

D

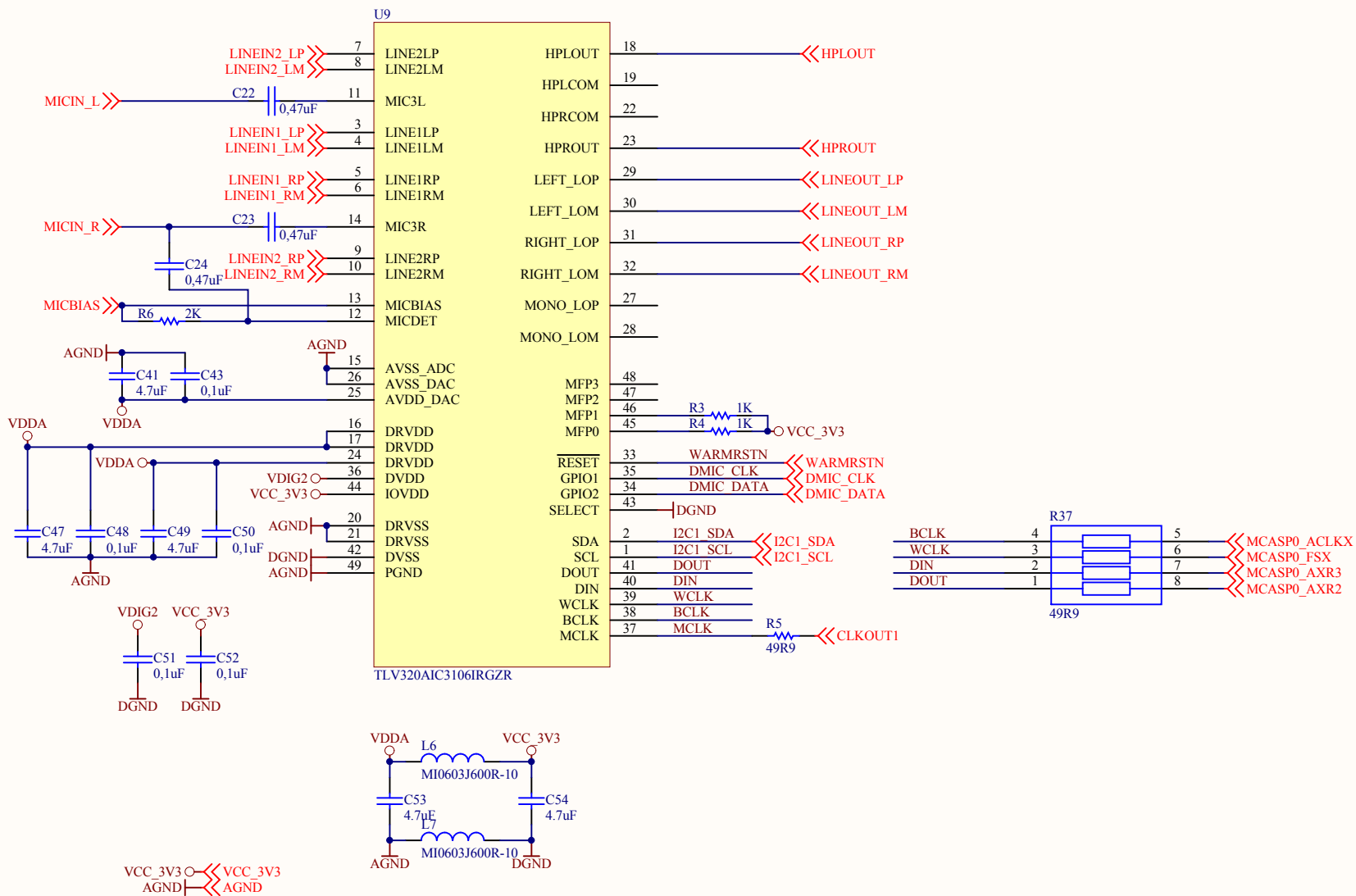
1

2

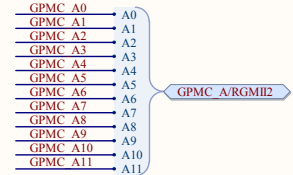
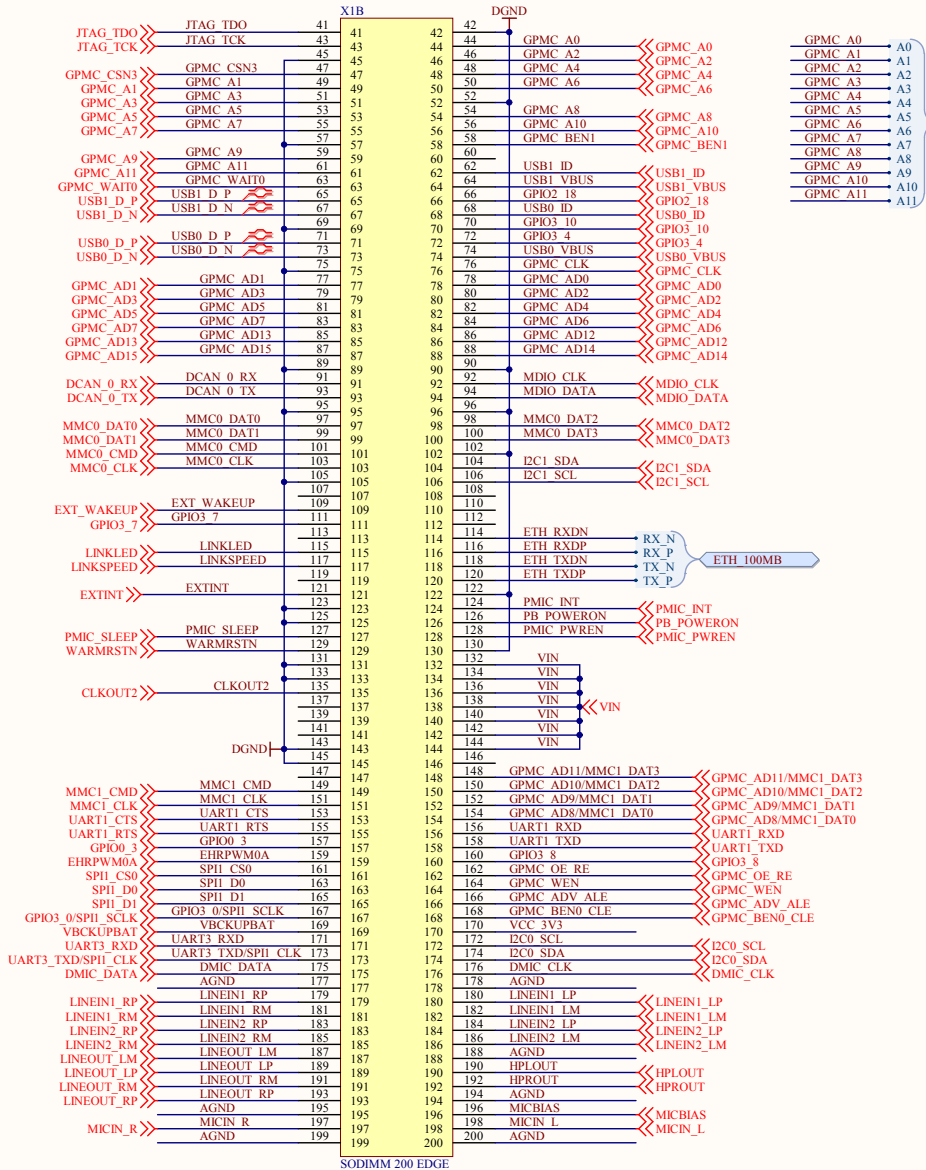
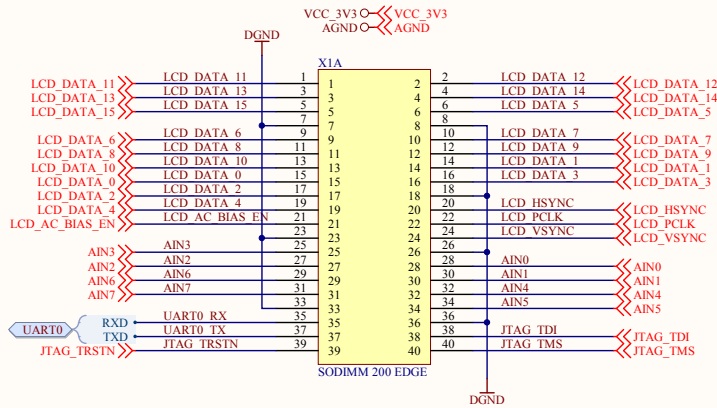
3

4

Audio CODEC



CARD EDGE PINOUT



1

2

3

4

A

A

B

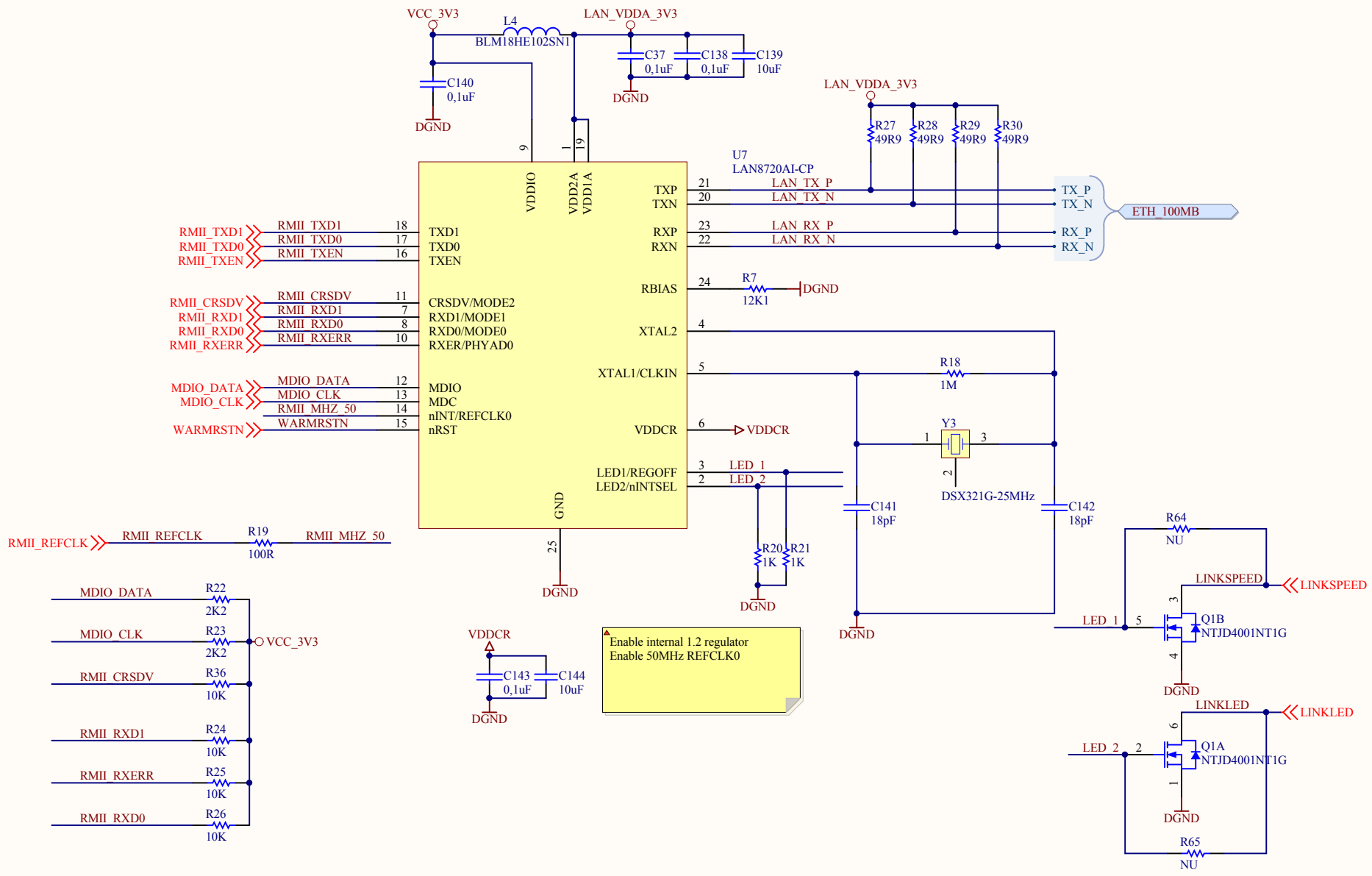
B

C

C

D

D



RMII ETHERNET 10/100 BASE-T

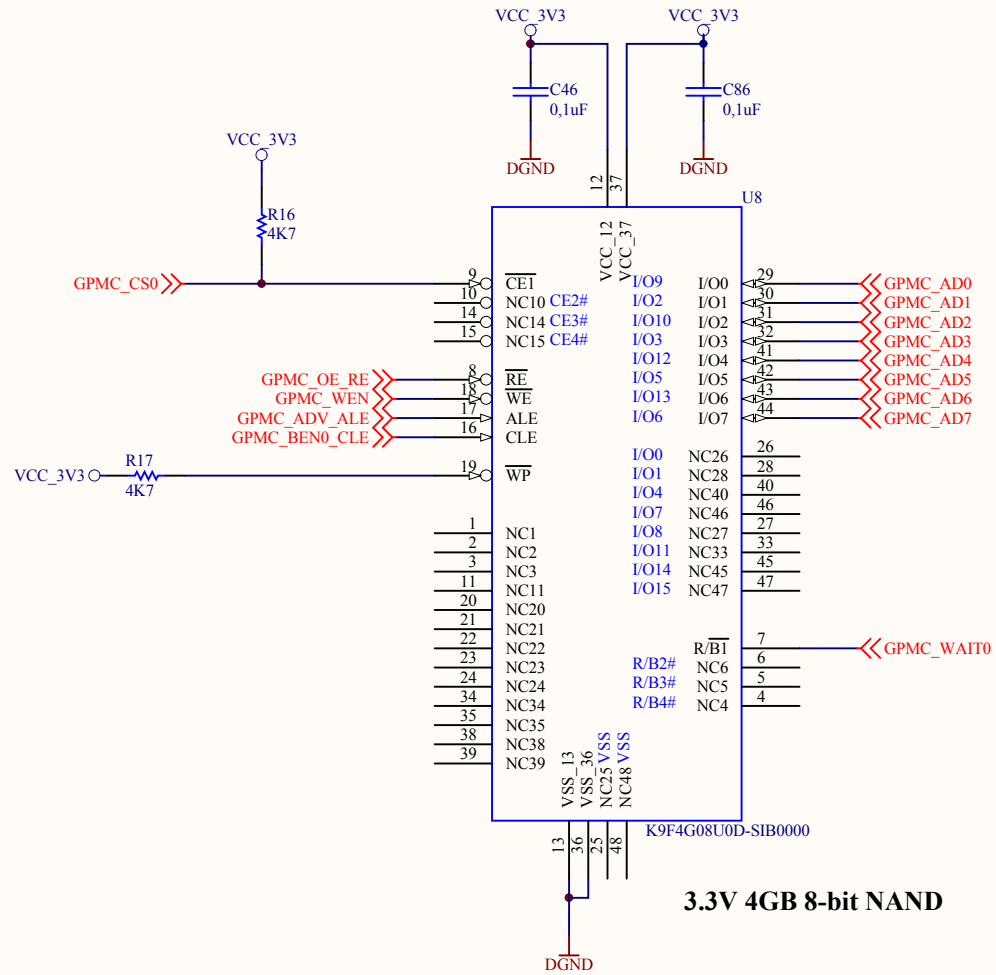
1

2

3

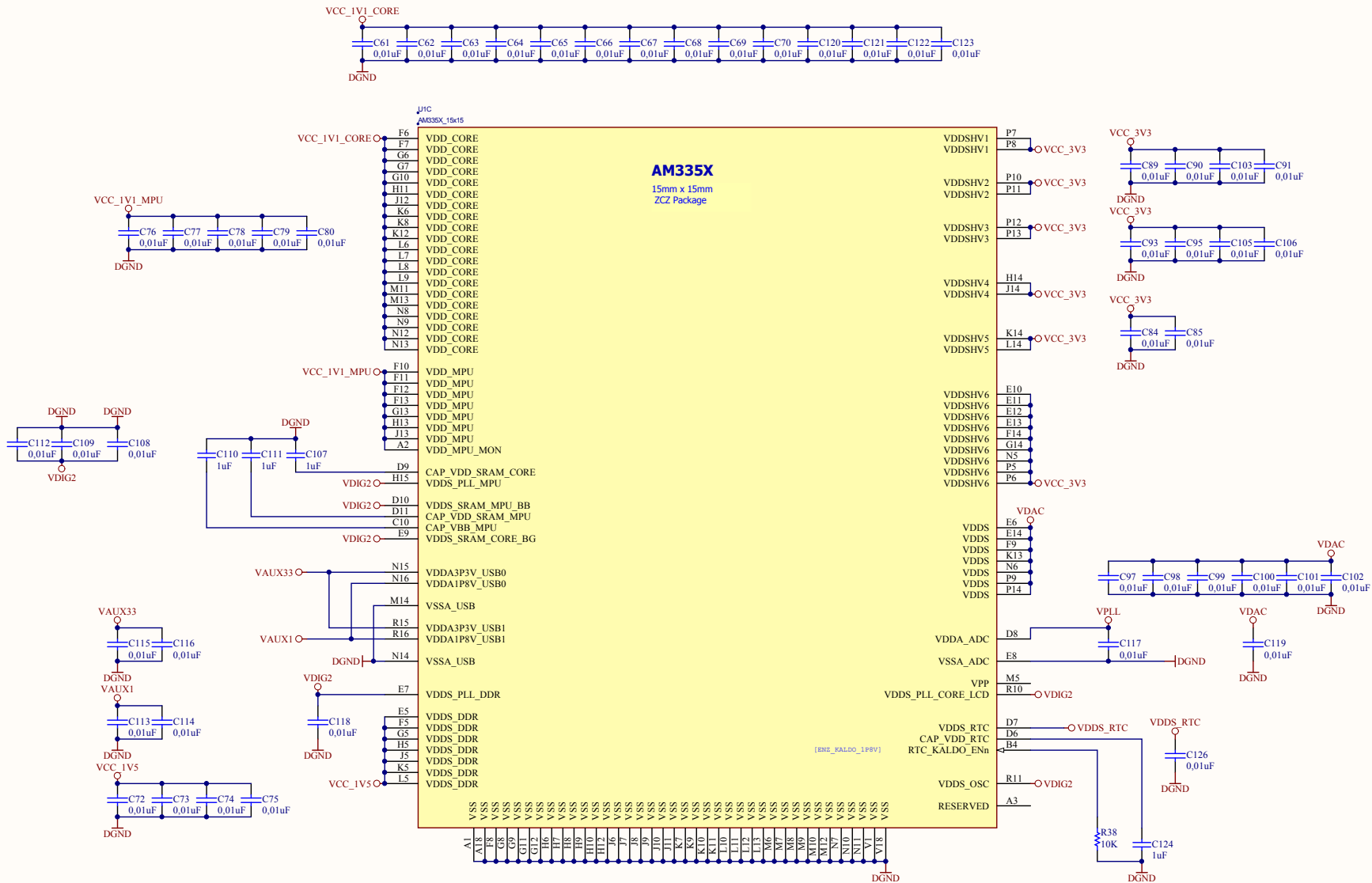
4

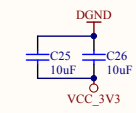
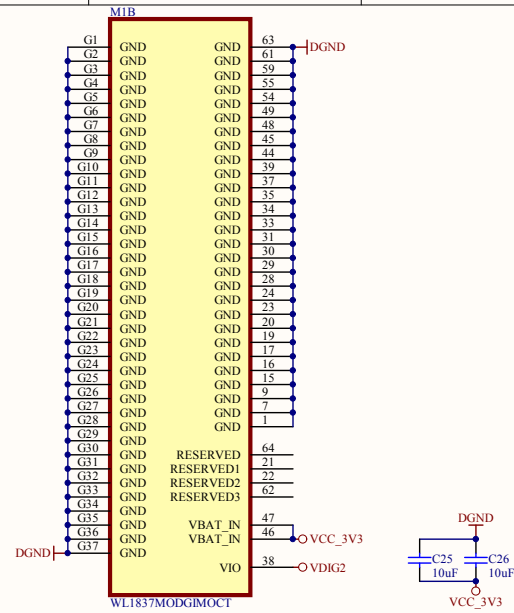
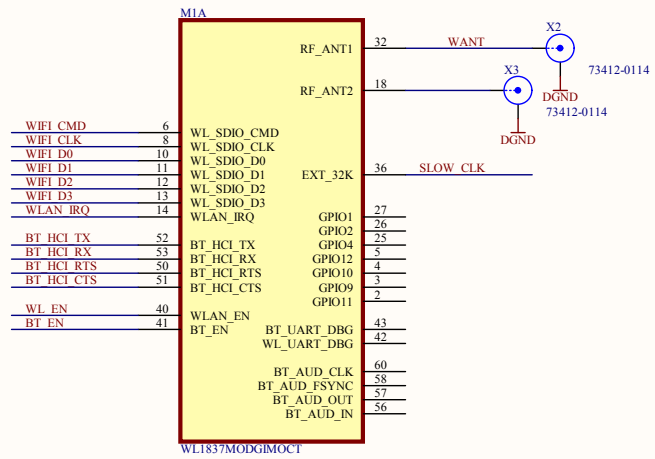
NAND FLASH



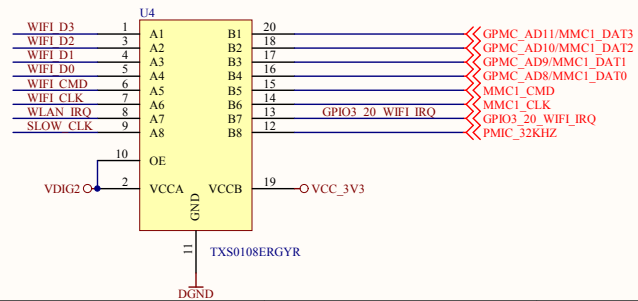
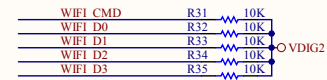
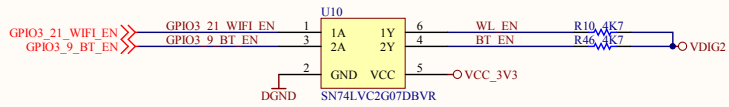
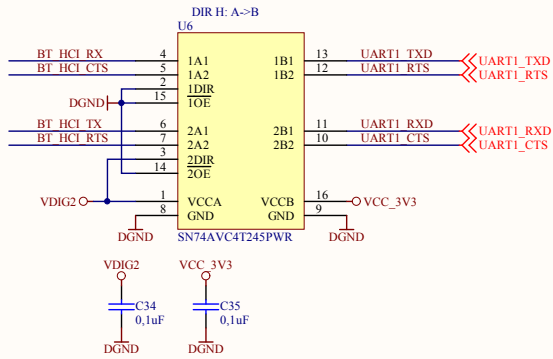
Title		
Size	Number	Revision
A4		
Date:	21.10.2016	Sheet of
File:	E:\IVAN\...SOM_AM335X_FLASH.SchDoc	Drawn By:

AM335X Power

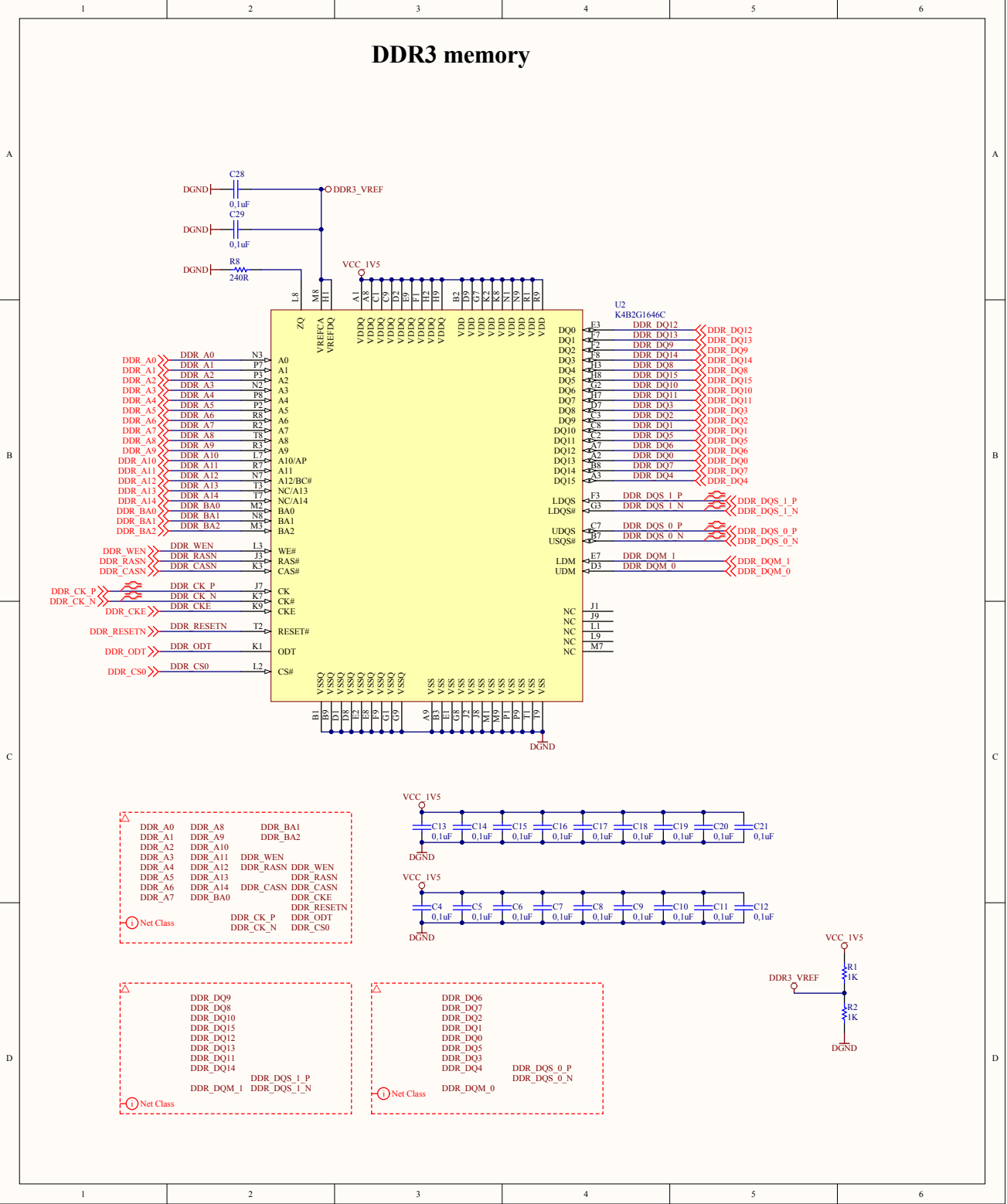




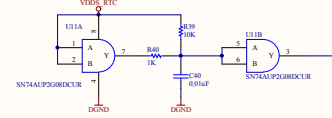
WIFI/BLUETOOTH Module



DDR3 memory



AM335x CPU Input/Output



AM335x
15mm x 15mm
ZCZ Package



AM335X
15mm x 15mm
ZCZ Package



A
B
C
D

A
B
C
D

TPS65910A3A1RSL PMIC

